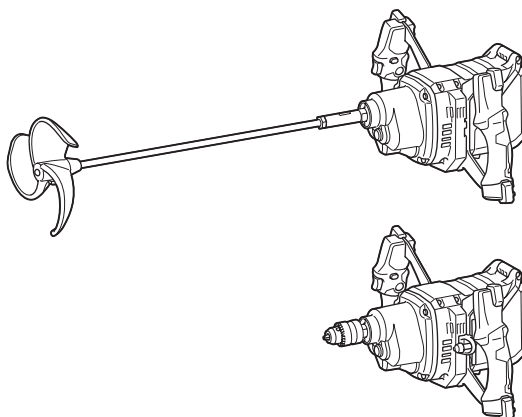




EN	Cordless Mixer	INSTRUCTION MANUAL	6
FR	Malaxeur sans fil	MANUEL D'INSTRUCTIONS	13
DE	Akku-Rührwerk	BETRIEBSANLEITUNG	21
IT	Miscelatore a batteria	ISTRUZIONI PER L'USO	29
NL	Accumenger	GEBRUIKSAANWIJZING	37
ES	Mezclador Inalámbrico	MANUAL DE INSTRUCCIONES	45
PT	Misturador a Bateria	MANUAL DE INSTRUÇÕES	53
DA	Akku blandemaskine	BRUGSANVISNING	61
EL	Φορητός αναδευτήρας	ΕΓΧΕΙΡΙΔΙΟ ΟΔΗΓΙΩΝ	68
TR	Akülü Mikser	KULLANMA KILAVUZU	76

UT001G
UT002G



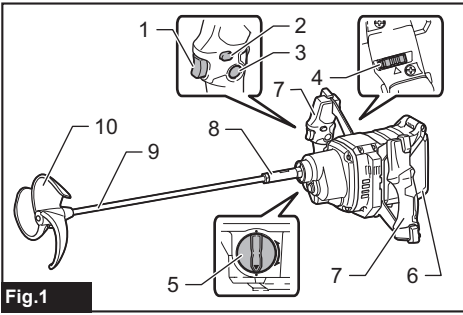


Fig.1

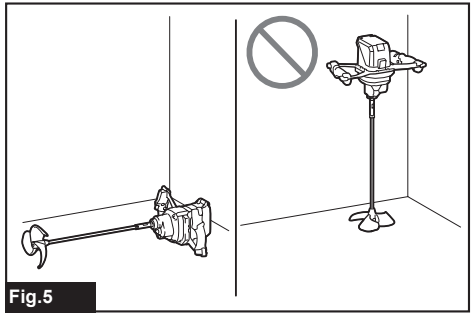


Fig.5

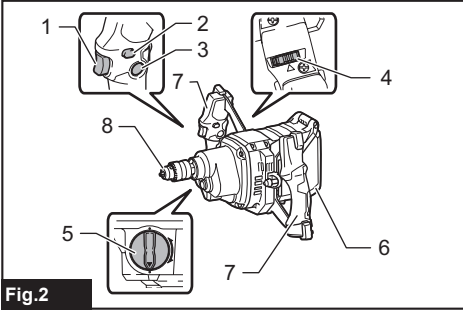


Fig.2

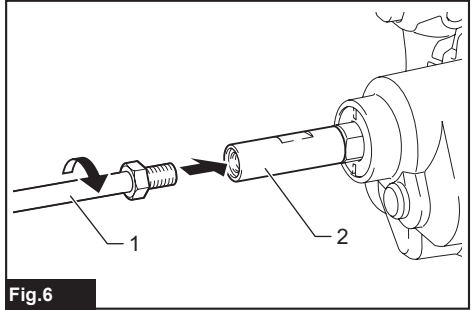


Fig.6

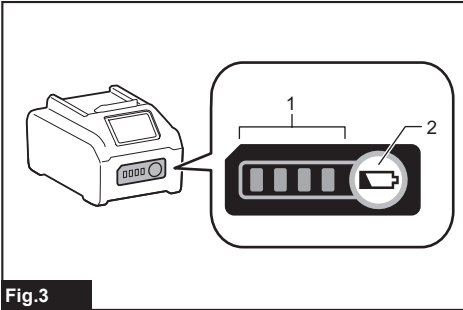


Fig.3

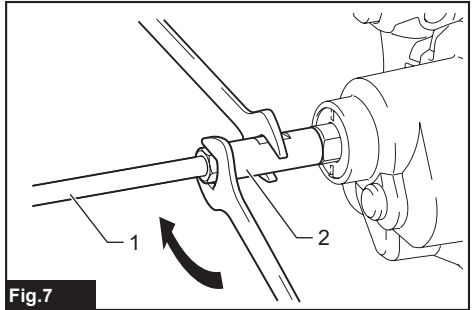


Fig.7

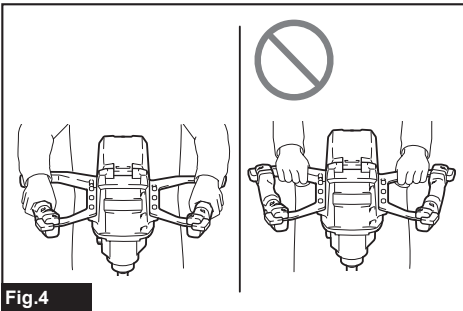


Fig.4

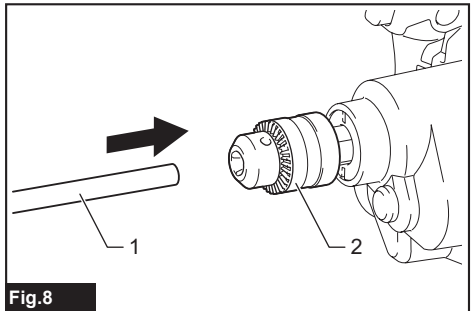


Fig.8

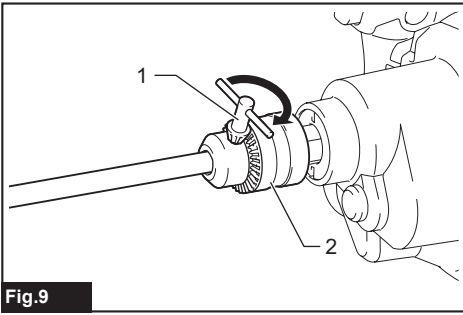


Fig.9

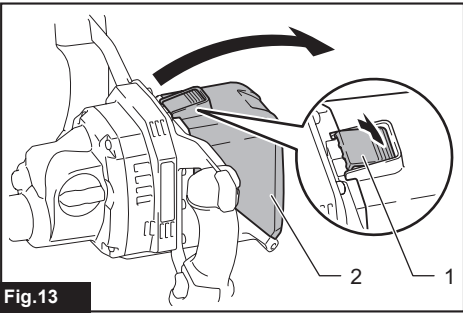


Fig.13

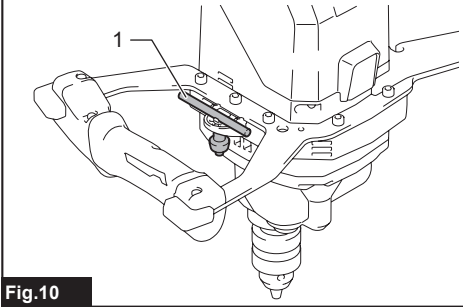


Fig.10

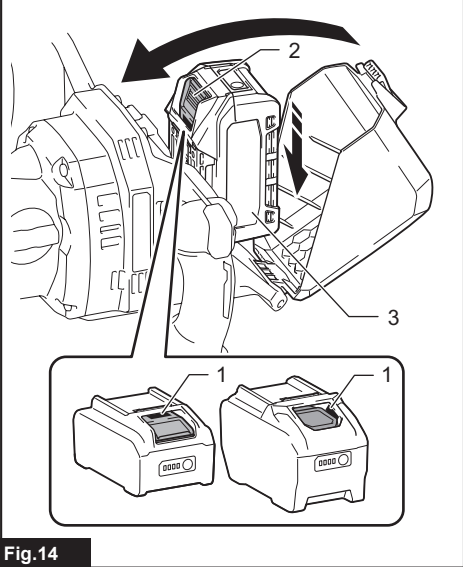


Fig.14

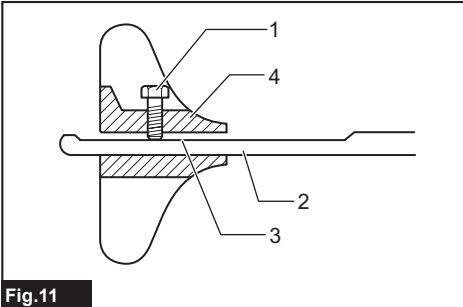


Fig.11

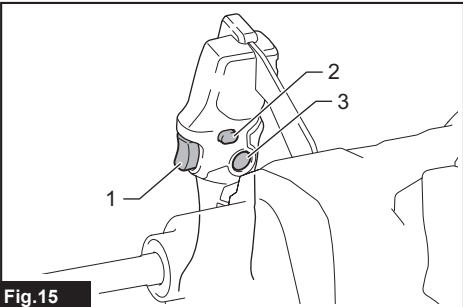


Fig.15

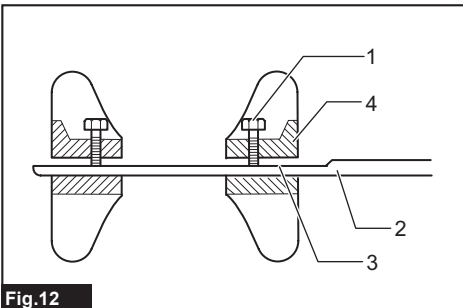
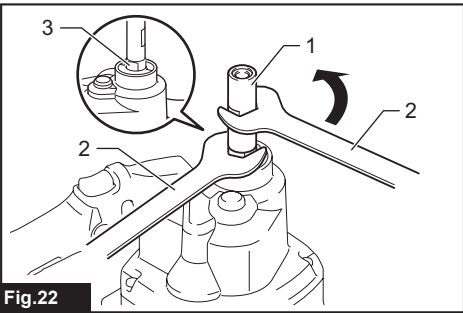
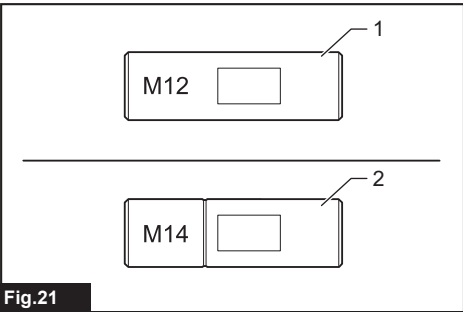
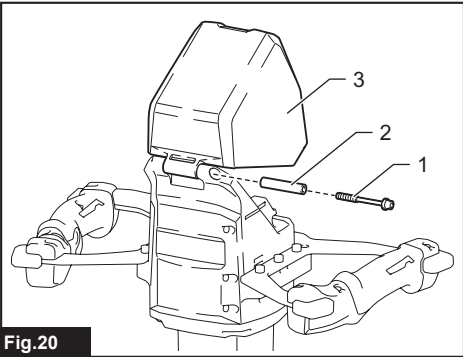
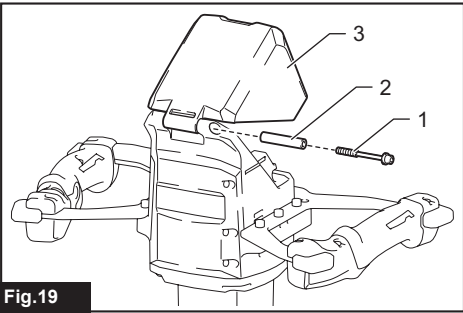
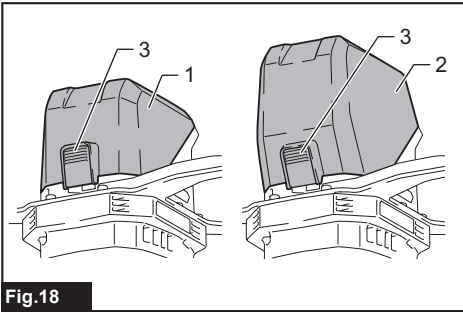
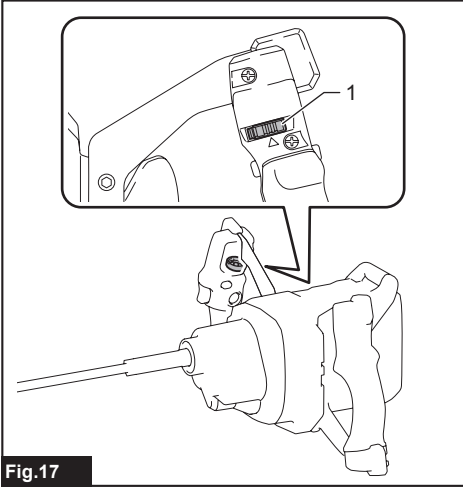
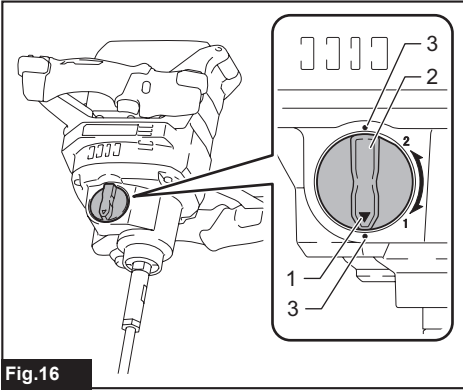
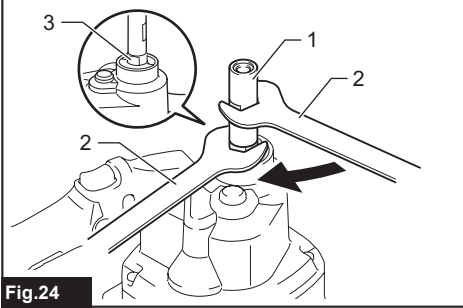
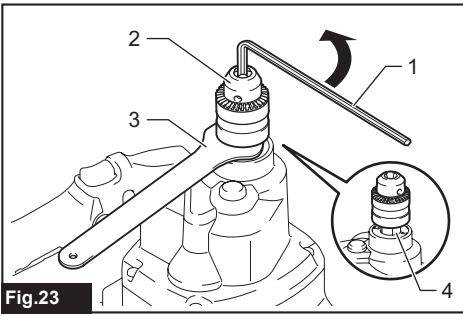


Fig.12





SPECIFICATIONS

Model:		UT001G	UT002G
No load speed	High speed mode	0 - 920 min ⁻¹	
	Low speed mode	0 - 500 min ⁻¹	
Maximum mixing blade diameter		240 mm	
Overall length (without shaft and mixing blade)	with battery cover S	373 mm	363 mm
	with battery cover L	412 mm	403 mm
Rated voltage		D.C. 36 V - 40 V max	
Net weight		5.7 - 7.0 kg	5.8 - 7.2 kg

- Due to our continuing program of research and development, the specifications herein are subject to change without notice.
- Specifications and battery cartridge may differ from country to country.
- The weight may differ depending on the attachment(s), including the battery cartridge. The lightest and heaviest combinations, according to EPTA-Procedure 01/2014, are shown in the table.

Applicable battery cartridge and charger

Battery cartridge	BL4020 / BL4025 / BL4040* / BL4050F* / BL4080F* * : Recommended battery
Charger	DC40RA / DC40RB / DC40RC

- Some of the battery cartridges and chargers listed above may not be available depending on your region of residence.

⚠ WARNING: Only use the battery cartridges and chargers listed above. Use of any other battery cartridges and chargers may cause injury and/or fire.

Symbols

The followings show the symbols which may be used for the equipment. Be sure that you understand their meaning before use.



Read instruction manual.



Do not use the tool in the rain.



Do not clean the tool with water.



Only for EU countries
Due to the presence of hazardous components in the equipment, waste electrical and electronic equipment, accumulators and batteries may have a negative impact on the environment and human health. Do not dispose of electrical and electronic appliances or batteries with household waste! In accordance with the European Directive on waste electrical and electronic equipment and on accumulators and batteries, as well as their adaptation to national law, waste electrical equipment, batteries and accumulators should be stored separately and delivered to a separate collection point for municipal waste, operating in accordance with the regulations on environmental protection. This is indicated by the symbol of the crossed-out wheeled bin placed on the equipment.

Intended use

The tool is intended for mixing wall materials, etc. (except flammable materials).

Noise

The typical A-weighted noise level determined according to EN62841-2-10:

Model UT001G

Sound pressure level (L_{pA}) : 81 dB (A)

Sound power level (L_{WA}) : 92 dB (A)

Uncertainty (K) : 3 dB (A)

Model UT002G

Sound pressure level (L_{pA}) : 81 dB (A)

Sound power level (L_{WA}) : 92 dB (A)

Uncertainty (K) : 3 dB (A)

NOTE: The declared noise emission value(s) has been measured in accordance with a standard test method and may be used for comparing one tool with another.

NOTE: The declared noise emission value(s) may also be used in a preliminary assessment of exposure.

⚠ WARNING: Wear ear protection.

⚠ WARNING: The noise emission during actual use of the power tool can differ from the declared value(s) depending on the ways in which the tool is used especially what kind of workpiece is processed.

⚠ WARNING: Be sure to identify safety measures to protect the operator that are based on an estimation of exposure in the actual conditions of use (taking account of all parts of the operating cycle such as the times when the tool is switched off and when it is running idle in addition to the trigger time).

Vibration

The vibration total value (tri-axial vector sum) determined according to EN62841-2-10:

Model UT001G

Work mode: operation without load
Vibration emission (a_{rh}): 2.5 m/s² or less
Uncertainty (K): 1.5 m/s²

Model UT002G

Work mode: operation without load
Vibration emission (a_{rh}): 2.5 m/s² or less
Uncertainty (K): 1.5 m/s²

NOTE: The declared vibration total value(s) has been measured in accordance with a standard test method and may be used for comparing one tool with another.

NOTE: The declared vibration total value(s) may also be used in a preliminary assessment of exposure.

⚠ WARNING: The vibration emission during actual use of the power tool can differ from the declared value(s) depending on the ways in which the tool is used especially what kind of workpiece is processed.

⚠ WARNING: Be sure to identify safety measures to protect the operator that are based on an estimation of exposure in the actual conditions of use (taking account of all parts of the operating cycle such as the times when the tool is switched off and when it is running idle in addition to the trigger time).

EC Declaration of Conformity

For European countries only

The EC declaration of conformity is included as Annex A to this instruction manual.

SAFETY WARNINGS

General power tool safety warnings

⚠ WARNING: Read all safety warnings, instructions, illustrations and specifications provided with this power tool. Failure to follow all instructions listed below may result in electric shock, fire and/or serious injury.

Save all warnings and instructions for future reference.

The term "power tool" in the warnings refers to your mains-operated (corded) power tool or battery-operated (cordless) power tool.

Cordless mixer safety warnings

1. **Hold the tool with both hands at the intended handles.** Loss of control can cause personal injury.
2. **Ensure sufficient ventilation when mixing flammable materials to avoid a hazardous atmosphere.** Developing vapour may be inhaled or be ignited by the sparks the power tool produces.
3. **Do not mix food.** Power tools and their accessories are not designed for processing food.
4. **Ensure that the mixing container is placed in a firm and secure position.** A container that is not properly secured may move unexpectedly.
5. **Follow the instructions and warnings for the material to be mixed.** Material to be mixed may be harmful.
6. **Do not reach into the mixing container with your hands or insert any other objects into it while mixing.** Contact with the mixer blade may lead to serious personal injury.
7. **Start up and run down the tool in the mixing container only.** The mixer blade may bend or spin in an uncontrolled manner.
8. **Ensure that no liquid splashes against the housing of the power tool.** Liquid that has penetrated the power tool can cause damage to the tool.
9. **Use auxiliary handles, if supplied with the tool.** Loss of control may cause personal injury.
10. **Hold power tool by insulated gripping surfaces, when performing an operation where the cutting accessory may contact hidden wiring.** Cutting accessory contacting a "live" wire may make exposed metal parts of the power tool "live" and could give the operator an electric shock.
11. **Always be sure you have a firm footing. Be sure no one is below when using the tool in high locations.**
12. **Hold the tool firmly.**
13. **Keep hands away from rotating parts.**
14. **Do not leave the tool running. Operate the tool only when you are holding it.**
15. **Some materials contain chemicals which may be toxic. Take caution to prevent dust inhalation and skin contact. Follow safety warnings by supplier of the material.**

16. When performing the mixing operation, place the mixing container on a flat and stable surface.

SAVE THESE INSTRUCTIONS.

⚠WARNING: DO NOT let comfort or familiarity with product (gained from repeated use) replace strict adherence to safety rules for the subject product. MISUSE or failure to follow the safety rules stated in this instruction manual may cause serious personal injury.

Important safety instructions for battery cartridge

1. Before using battery cartridge, read all instructions and cautionary markings on (1) battery charger, (2) battery, and (3) product using battery.
2. Do not disassemble or tamper with the battery cartridge. It may result in a fire, excessive heat, or explosion.
3. If operating time has become excessively shorter, stop operating immediately. It may result in a risk of overheating, possible burns and even an explosion.
4. If electrolyte gets into your eyes, rinse them out with clear water and seek medical attention right away. It may result in loss of your eyesight.
5. Do not short the battery cartridge:
 - (1) Do not touch the terminals with any conductive material.
 - (2) Avoid storing battery cartridge in a container with other metal objects such as nails, coins, etc.
 - (3) Do not expose battery cartridge to water or rain.

A battery short can cause a large current flow, overheating, possible burns and even a breakdown.

6. Do not store and use the tool and battery cartridge in locations where the temperature may reach or exceed 50 °C (122 °F).
7. Do not incinerate the battery cartridge even if it is severely damaged or is completely worn out. The battery cartridge can explode in a fire.
8. Do not nail, cut, crush, throw, drop the battery cartridge, or hit against a hard object to the battery cartridge. Such conduct may result in a fire, excessive heat, or explosion.
9. Do not use a damaged battery.
10. The contained lithium-ion batteries are subject to the Dangerous Goods Legislation requirements.

For commercial transports e.g. by third parties, forwarding agents, special requirement on packaging and labeling must be observed.

For preparation of the item being shipped, consulting an expert for hazardous material is required. Please also observe possibly more detailed national regulations.

Tape or mask off open contacts and pack up the battery in such a manner that it cannot move around in the packaging.

11. When disposing the battery cartridge, remove it from the tool and dispose of it in a safe place. Follow your local regulations relating to disposal of battery.
12. Use the batteries only with the products specified by Makita. Installing the batteries to non-compliant products may result in a fire, excessive heat, explosion, or leak of electrolyte.
13. If the tool is not used for a long period of time, the battery must be removed from the tool.
14. During and after use, the battery cartridge may take on heat which can cause burns or low temperature burns. Pay attention to the handling of hot battery cartridges.
15. Do not touch the terminal of the tool immediately after use as it may get hot enough to cause burns.
16. Do not allow chips, dust, or soil stuck into the terminals, holes, and grooves of the battery cartridge. It may cause heating, catching fire, burst and malfunction of the tool or battery cartridge, resulting in burns or personal injury.
17. Unless the tool supports the use near high-voltage electrical power lines, do not use the battery cartridge near a high-voltage electrical power lines. It may result in a malfunction or breakdown of the tool or battery cartridge.
18. Keep the battery away from children.

SAVE THESE INSTRUCTIONS.

⚠CAUTION: Only use genuine Makita batteries. Use of non-genuine Makita batteries, or batteries that have been altered, may result in the battery bursting causing fires, personal injury and damage. It will also void the Makita warranty for the Makita tool and charger.

Tips for maintaining maximum battery life

1. Charge the battery cartridge before completely discharged. Always stop tool operation and charge the battery cartridge when you notice less tool power.
2. Never recharge a fully charged battery cartridge. Overcharging shortens the battery service life.
3. Charge the battery cartridge with room temperature at 10 °C - 40 °C (50 °F - 104 °F). Let a hot battery cartridge cool down before charging it.
4. When not using the battery cartridge, remove it from the tool or the charger.
5. Charge the battery cartridge if you do not use it for a long period (more than six months).

PARTS DESCRIPTION

Model UT001G

► Fig.1

1	Switch trigger	2	Lock-off button
3	Lock button	4	Speed adjusting dial
5	Speed change knob	6	Battery cover
7	Handle	8	Shaft holder
9	Shaft	10	Mixing blade

Model UT002G

► Fig.2

1	Switch trigger	2	Lock-off button
3	Lock button	4	Speed adjusting dial
5	Speed change knob	6	Battery cover
7	Handle	8	Chuck

PREPARATION BEFORE USE

Indicating the remaining battery capacity

Press the check button on the battery cartridge to indicate the remaining battery capacity. The indicator lamps light up for a few seconds.

► **Fig.3:** 1. Indicator lamps 2. Check button

Indicator lamps			Remaining capacity
Lighted	Off	Blinking	
■	□	▧	75% to 100%
■ ■ ■ ■			
■ ■ ■	□		50% to 75%
■ ■	□ □		25% to 50%
■	□ □ □		0% to 25%
▧	□ □ □		Charge the battery.
■ ■ □ □	↑ ↓	□ □ ■ ■	The battery may have malfunctioned.

NOTE: Depending on the conditions of use and the ambient temperature, the indication may differ slightly from the actual capacity.

NOTE: The first (far left) indicator lamp will blink when the battery protection system works.

Things you need to know before use

Hold the handle when using or carrying the tool.

► **Fig.4**

CAUTION: Do not hold the sheet metal part. Sharp areas may cause injury.

Tool / battery protection system

The tool is equipped with a tool/battery protection system. This system automatically cuts off power to the motor to extend tool and battery life. The tool will automatically stop during operation if the tool or battery is placed under one of the following conditions:

Overload protection

When the tool/battery is operated in a manner that causes it to draw an abnormally high current, the tool automatically stops. In this situation, turn the tool off and stop the application that caused the tool to become overloaded. Then turn the tool on to restart.

Overheat protection

When the tool/battery is overheated, the tool stops automatically. In this situation, let the tool/battery cool before turning the tool on again.

Overdischarge protection

When the battery capacity becomes low, the tool stops automatically. If the product does not operate even when the switches are operated, remove the batteries from the tool and change the batteries.

HOW TO USE

CAUTION: Always be sure that the tool is switched off and the battery cartridge is removed before carrying out any work on the tool.

NOTICE: When you are not working, lay the machine down and store it.

► **Fig.5**

Assembly

Installing the shaft

Optional accessory

For UT001G

1. Tighten the shaft into the shaft holder.

► **Fig.6:** 1. Shaft 2. Shaft holder

2. Hold the flats on the shaft holder with wrench 19 so that the shaft holder cannot revolve. With the flats held so, tighten the hex nut with another wrench 19 in the direction of arrow.

► **Fig.7:** 1. Shaft 2. Shaft holder

For UT002G

1. Insert the shaft into the chuck as far as it will go.
▶ **Fig.8:** 1. Shaft 2. Chuck
2. Tighten the chuck by hand, and then place the chuck key in each of three holes and tighten it clockwise. Be sure to tighten the chuck key at all three holes evenly.
▶ **Fig.9:** 1. Chuck key 2. Chuck
3. To remove the shaft, turn the chuck key counterclockwise at one of the holes, and then loosen the chuck by hand.
4. When not in use, store the chuck key as shown in the figure to keep it from being lost.
▶ **Fig.10:** 1. Chuck key

Installing the mixing blade

Optional accessory

Insert the mixing blade into the shaft and secure it with the hex bolt. At this time, position it so that the top end of the hex bolt always fits to the flat surface on the shaft and tighten the hex bolt with the provided wrench.

- ▶ **Fig.11:** 1. Hex bolt 2. Shaft 3. Flat surface 4. Mixing blade

When installing the mixing blades at two different positions, mount and secure the two mixing blades on the flat part of the shaft with the hex bolts so that the same surface of the mixing blades faces each other as shown in the figure.

- ▶ **Fig.12:** 1. Hex bolt 2. Shaft 3. Flat surface 4. Mixing blade

NOTE: Ask your local Makita Service Center about which mixing blades are allowed.

Installing or removing battery cartridge

CAUTION: Always switch off the tool before installing or removing of the battery cartridge.

CAUTION: Hold the tool and the battery cartridge firmly when installing or removing battery cartridge. Failure to hold the tool and the battery cartridge firmly may cause them to slip off your hands and result in damage to the tool and battery cartridge and a personal injury.

CAUTION: Do not use this tool with the battery adapter. If you connect the battery adapter to the tool, the battery cover cannot be closed, and using the tool with battery cover opened may cause an injury.

CAUTION: Be careful not to pinch your fingers when opening or closing the battery cover.

NOTICE: Install a battery cover that matches the size of the battery.

Open the battery cover while pressing the button on the battery cover.

- ▶ **Fig.13:** 1. Button 2. Battery cover

To remove the battery cartridge, slide it from the tool while sliding the button on the front of the cartridge.

- ▶ **Fig.14:** 1. Red indicator 2. Button 3. Battery cartridge

To install the battery cartridge, align the tongue on the battery cartridge with the groove in the housing and slip it into place. Insert it all the way until it locks in place with a little click. If you can see the red indicator as shown in the figure, it is not locked completely.

After installing the battery cartridge, close the battery cover securely.

CAUTION: Always install the battery cartridge fully until the red indicator cannot be seen. If not, it may accidentally fall out of the tool, causing injury to you or someone around you.

CAUTION: Do not install the battery cartridge forcibly. If the cartridge does not slide in easily, it is not being inserted correctly.

Switch action

WARNING: Before installing the battery cartridge into the tool, always make sure that the switch trigger actuates properly and returns to the "OFF" position by fully pulling and releasing it.

WARNING: NEVER defeat the lock-off button by taping down or some other means. A switch with a negated lock-off button may result in unintentional operation and serious personal injury.

WARNING: NEVER use the tool if it runs when you simply pull the switch trigger without pressing the lock-off button. A switch in need of repair may result in unintentional operation and serious personal injury. Return tool to a Makita service center for proper repairs BEFORE further usage.

WARNING: Do not install the battery cartridge with the lock button engaged.

To prevent the switch trigger from being accidentally pulled, a lock-off button is provided. To start the tool, depress the lock-off button and pull the switch trigger. Tool speed is increased by increasing pressure on the switch trigger. Release the switch trigger to stop.

For continuous operation, depress the lock button while pulling the switch trigger, and then release the switch trigger. To stop the tool, pull the switch trigger fully, then release it.

- ▶ **Fig.15:** 1. Switch trigger 2. Lock-off button 3. Lock button

Operation of speed change knob

NOTICE: Use the speed change knob only after the tool comes to a complete stop. Changing the tool speed mode before the tool stops may damage the tool.

NOTICE: Always set the speed change knob carefully into the correct position. If you operate the tool with the speed change knob positioned halfway between the position 1 and the position 2, the tool may be damaged.

NOTICE: If the rotation speed significantly decreases during operation in the high speed mode, stop the tool and change the mode to the low speed mode. Otherwise, the motor may get overloaded and cause a malfunction or fire.

Two speed ranges can be preselected with the speed change knob.

Select the proper speed mode for the material to be mixed.

To change the speed mode, turn the speed change knob so that the pointer points to the dot at position 1 for low speed mode or the dot at position 2 for high speed mode.

► **Fig.16:** 1. Pointer 2. Speed change knob 3. Dot

Operation of speed adjusting dial

The tool speed can be adjusted steplessly by turning the speed adjusting dial. The no load speed when the switch trigger is fully pulled can be adjusted 270 min^{-1} to 500 min^{-1} at low speed mode, 500 min^{-1} to 920 min^{-1} at high speed mode. Higher speed is obtained when the dial is turned in the direction of number 5; lower speed is obtained when it is turned in the direction of number 1.

Select the proper speed for the material to be mixed.

► **Fig.17:** 1. Speed adjusting dial

NOTICE: The speed adjusting dial can be turned only as far as 5 and back to 1. Do not force it past 5 or 1.

Accidental restart preventive function

If you install the battery cartridge while pulling the switch trigger or locking the switch trigger, the tool does not start. To start the tool, release the switch trigger, and then pull the switch trigger.

Electronic function

The tool is equipped with the following electronic function for easy operation.

Soft start

The soft-start function minimizes start-up shock, and makes the tool start smoothly.

Basic operations

CAUTION: Do not mix flammable materials or operate the tool around flammable materials such as paint with thinner used as solvent. Failure to do so may cause an injury.

CAUTION: Do not mix high viscosity material in the high speed mode. You may lose the control of the tool and cause an injury.

CAUTION: Do not rotate the mixing blade outside the stirring vessel.

CAUTION: If you hear an abnormal noise during use, turn off the switch and stop using the tool.

NOTICE: When you mix the material while the mixing blade floating out of the material, be careful not to splash the material.

NOTICE: Do not use the tool for any purpose other than stirring mortar, concrete, etc.

1. Select high speed mode or low speed mode according to the material to be mixed.
2. Hold the tool firmly with both hands. Place the mixing blade under material fully. Check that the material is not solidified and the safety of the work site, then turn on the tool.
3. Move the mixing blade up and down during the mixing operation so that whole part of material can be mixed.
4. When finishing mixing, turn off the tool. Make sure that the mixing blade has come to a complete stop, and then pull it out of the mixing container.

Applied operations

CAUTION: Always be sure that the tool is switched off and the battery cartridge is removed before adjusting or checking function on the tool.

Replacing battery cover

Optional accessory

Install one of the battery covers to fit the size of your battery cartridge.

► **Fig.18:** 1. Battery cover S 2. Battery cover L 3. Button

1. Open the standard equipped battery cover while pressing the button on the battery cover.
2. Loosen the screw securing the standard equipped battery cover. Then remove the screw, sleeve and the battery cover.

► **Fig.19:** 1. Screw 2. Sleeve 3. Battery cover (standard equipped)

NOTE: The sleeve may remain in the mounting holes. In that case, pull it out using a screw or the like.

3. Align the mounting hole on the optional battery cover with the mounting holes on the housing. Insert the sleeve. Then tighten the screws to secure it in place.
- **Fig.20:** 1. Screw 2. Sleeve 3. Battery cover (optional)
4. Close the battery cover securely.

Installing or removing the shaft holder

country specific

For UT001G

Install one of the shaft holders optionally available to fit your screw size of the shaft.

► **Fig.21:** 1. M12 shaft holder 2. M14 shaft holder

While holding the spindle with a wrench, loosen the shaft holder with another wrench.

► **Fig.22:** 1. Shaft holder 2. Wrench 3. Spindle

To install the shaft holder, perform the removal procedure in reverse.

For UT002G

1. Insert the hex wrench into the chuck, and then loosen the chuck with the hex wrench while holding the spindle with the wrench.

► **Fig.23:** 1. Hex wrench 2. Chuck 3. Wrench 4. Spindle

2. Tighten the shaft holder with a wrench while holding the spindle with another wrench.

► **Fig.24:** 1. Shaft holder 2. Wrench 3. Spindle

Handling after use

Use a wet cloth or the like to carefully wipe off the material left on the tool after use. Extra care should be given to thorough cleaning of the vents, switch area, cover openings, etc.

NOTICE: Avoid cleaning the tool in water. Water will get into the motor housing and cause motor failure.

MAINTENANCE

CAUTION: Always be sure that the tool is switched off and the battery cartridge is removed before attempting to perform inspection or maintenance.

NOTICE: Never use gasoline, benzine, thinner, alcohol or the like. Discoloration, deformation or cracks may result.

To maintain product SAFETY and RELIABILITY, repairs, any other maintenance or adjustment should be performed by Makita Authorized or Factory Service Centers, always using Makita replacement parts.

Troubleshooting

Before asking for repairs, check the following points.

1. Turn the tool off, and then turn it on again to restart.
2. Charge the battery(ies) or replace it/them with recharged battery(ies).
3. Let the tool and battery(ies) cool down.

If no improvement can be found by restoring protection system, then contact your local Makita Service Center.

OPTIONAL ACCESSORIES

CAUTION: These accessories or attachments are recommended for use with your Makita tool specified in this manual. The use of any other accessories or attachments might present a risk of injury to persons. Only use accessory or attachment for its stated purpose.

If you need any assistance for more details regarding these accessories, ask your local Makita Service Center.

- Mixing blade
- Shaft
- Battery cover
- Makita genuine battery and charger

NOTE: Some items in the list may be included in the tool package as standard accessories. They may differ from country to country.

SPÉCIFICATIONS

Modèle :		UT001G	UT002G
Vitesse à vide	Mode grande vitesse	0 - 920 min ⁻¹	
	Mode basse vitesse	0 - 500 min ⁻¹	
Diamètre maximum de la lame de malaxage		240 mm	
Longueur totale (sans axe et lame de malaxage)	avec couvercle de la batterie S	373 mm	363 mm
	avec couvercle de la batterie L	412 mm	403 mm
Tension nominale		36 V - 40 V c.c. max.	
Poids net		5,7 - 7,0 kg	5,8 - 7,2 kg

- Étant donné l'évolution constante de notre programme de recherche et de développement, les spécifications contenues dans ce manuel sont sujettes à modification sans préavis.
- Les spécifications et la batterie peuvent être différentes suivant les pays.
- Le poids peut être différent selon les accessoires, notamment la batterie. Les associations la plus légère et la plus lourde, conformément à la procédure EPTA 01/2014, sont indiquées dans le tableau.

Batterie et chargeur applicables




Batterie	BL4020 / BL4025 / BL4040* / BL4050F* / BL4080F* * : Batterie recommandée
Chargeur	DC40RA / DC40RB / DC40RC

- Certains chargeurs et batteries répertoriés ci-dessus peuvent ne pas être disponibles selon la région où vous résidez.

⚠ AVERTISSEMENT : N'utilisez que les batteries et les chargeurs répertoriés ci-dessus. L'utilisation d'autres batteries et chargeurs peut provoquer des blessures et/ou un incendie.

Symboles

Vous trouverez ci-dessous les symboles susceptibles d'être utilisés pour l'appareil. Veuillez à comprendre leur signification avant toute utilisation.

	Lire le mode d'emploi.
	N'utilisez pas l'outil sous la pluie.
	Ne nettoyez pas l'outil avec de l'eau.



Pour les pays de l'Union européenne uniquement

En raison de la présence de composants dangereux dans l'équipement, les déchets d'équipements électriques et électroniques, les accumulateurs et les batteries peuvent avoir un impact négatif sur l'environnement et la santé humaine.

Ne jetez pas les appareils électriques et électroniques ou les batteries avec les ordures ménagères !

Conformément à la directive européenne relative aux déchets d'équipements électriques et électroniques et aux déchets d'accumulateurs et de batteries, ainsi qu'à son adaptation à la législation nationale, les déchets d'équipements électriques, les batteries et les accumulateurs doivent être collectés séparément et déposés dans un point de collecte distinct pour déchets urbains, conformément aux réglementations en matière de protection de l'environnement.

Cela est indiqué par le symbole de la poubelle à roulettes barrée sur l'équipement.

Utilisations

L'outil est conçu pour mélanger des matériaux pour mur, etc. (sauf les matériaux inflammables).

Bruit

Niveau de bruit pondéré A typique, déterminé selon EN62841-2-10 :

Modèle UT001G

Niveau de pression sonore (L_{pA}) : 81 dB (A)

Niveau de puissance sonore (L_{WA}) : 92 dB (A)

Incertitude (K) : 3 dB (A)

Modèle UT002G

Niveau de pression sonore (L_{pA}) : 81 dB (A)

Niveau de puissance sonore (L_{WA}) : 92 dB (A)

Incertitude (K) : 3 dB (A)

NOTE : La ou les valeurs d'émission de bruit déclarées ont été mesurées conformément à la méthode de test standard et peuvent être utilisées pour comparer les outils entre eux.

NOTE : La ou les valeurs d'émission de bruit déclarées peuvent aussi être utilisées pour l'évaluation préliminaire de l'exposition.

⚠ AVERTISSEMENT : Portez un serre-tête antibruit.

⚠ AVERTISSEMENT : L'émission de bruit lors de l'usage réel de l'outil électrique peut être différente de la ou des valeurs déclarées, suivant la façon dont l'outil est utilisé, particulièrement selon le type de pièce usinée.

⚠ AVERTISSEMENT : Les mesures de sécurité à prendre pour protéger l'utilisateur doivent être basées sur une estimation de l'exposition dans des conditions réelles d'utilisation (en tenant compte de toutes les composantes du cycle d'utilisation, comme par exemple le moment de sa mise hors tension, lorsqu'il tourne à vide et le moment de son déclenchement).

Vibrations

Valeur totale de vibrations (somme de vecteur triaxial) déterminée selon EN62841-2-10 :

Modèle UT001G

Mode de travail : fonctionnement à vide

Émission de vibrations (a_h) : 2,5 m/s² ou moins

Incertitude (K) : 1,5 m/s²

Modèle UT002G

Mode de travail : fonctionnement à vide

Émission de vibrations (a_h) : 2,5 m/s² ou moins

Incertitude (K) : 1,5 m/s²

NOTE : La ou les valeurs de vibration totales déclarées ont été mesurées conformément à la méthode de test standard et peuvent être utilisées pour comparer les outils entre eux.

NOTE : La ou les valeurs de vibration totales déclarées peuvent aussi être utilisées pour l'évaluation préliminaire de l'exposition.

⚠ AVERTISSEMENT : L'émission de vibrations lors de l'usage réel de l'outil électrique peut être différente de la ou des valeurs déclarées, suivant la façon dont l'outil est utilisé, particulièrement selon le type de pièce usinée.

⚠ AVERTISSEMENT : Les mesures de sécurité à prendre pour protéger l'utilisateur doivent être basées sur une estimation de l'exposition dans des conditions réelles d'utilisation (en tenant compte de toutes les composantes du cycle d'utilisation, comme par exemple le moment de sa mise hors tension, lorsqu'il tourne à vide et le moment de son déclenchement).

Déclaration de conformité CE

Pour les pays européens uniquement

La déclaration de conformité CE est fournie en Annexe A à ce mode d'emploi.

CONSIGNES DE SÉCURITÉ

Consignes de sécurité générales pour outils électriques

⚠ AVERTISSEMENT : Veuillez lire les consignes de sécurité, instructions, illustrations et spécifications qui accompagnent cet outil électrique. Le non-respect de toutes les instructions indiquées ci-dessous peut entraîner une électrocution, un incendie et/ou de graves blessures.

Conservez toutes les mises en garde et instructions pour référence ultérieure.

Le terme « outil électrique » dans les avertissements fait référence à l'outil électrique alimenté par le secteur (avec cordon d'alimentation) ou à l'outil électrique fonctionnant sur batterie (sans cordon d'alimentation).

Consignes de sécurité pour malaxeur sans fil

1. **Tenez l'outil des deux mains par les poignées prévues.** Toute perte de maîtrise de l'outil comporte un risque de blessure.
2. **Prévoyez une aération suffisante lorsque vous mélangez des matériaux inflammables afin d'éviter de créer une atmosphère dangereuse.** Les vapeurs émises peuvent être inhalées ou s'enflammer au contact des étincelles produites par l'outil électrique.
3. **Ne mélangez pas de nourriture.** Les outils électriques et leurs accessoires ne sont pas conçus pour préparer les aliments.

Consignes de sécurité importantes pour la batterie

4. **Assurez-vous que la cuve de mélange est placée dans une position stable et sûre.** Une cuve mal sécurisée peut bouger brusquement.
5. **Suivez les instructions et les avertissements du matériau à mélanger.** Le matériau à mélanger peut être dangereux.
6. **Ne mettez pas les mains dans la cuve de mélange, ni n'insérez tout autre objet dedans pendant le malaxage.** Le contact avec la lame du malaxeur peut entraîner de graves blessures corporelles.
7. **Démarrez et arrêtez l'outil dans la cuve de mélange uniquement.** La lame du malaxeur peut se tordre ou tourner de manière imprévisible.
8. **Assurez-vous qu'aucun liquide n'éclabousse le logement de l'outil électrique.** La pénétration de liquide dans l'outil électrique peut l'endommager.
9. **Utilisez les poignées auxiliaires, si l'outil en possède.** Toute perte de maîtrise de l'outil peut présenter un risque de blessure.
10. **Tenez l'outil électrique par des surfaces de prise isolées lorsque vous effectuez une tâche au cours de laquelle l'accessoire de coupe peut entrer en contact avec des fils cachés.** Le contact de l'accessoire de coupe avec un fil sous tension peut transmettre du courant dans les pièces métalliques exposées de l'outil électrique et électrocuter l'utilisateur.
11. **Assurez-vous toujours d'avoir une bonne assise.** Veillez à ce que personne ne se trouve dessous lorsque vous utilisez l'outil en hauteur.
12. **Tenez l'outil fermement.**
13. **Gardez vos mains à l'écart des pièces en rotation.**
14. **N'abandonnez pas l'outil alors qu'il tourne.** Faites fonctionner l'outil uniquement lorsque vous le tenez.
15. **Certains matériaux contiennent des produits chimiques susceptibles d'être toxiques.** Prenez les précautions nécessaires pour éviter que la poussière dégagée lors du travail ne soit inhalée et n'entre en contact avec la peau. Suivez les consignes de sécurité du fabricant du matériau.
16. **Lors du malaxage, placez la cuve de mélange sur une surface plane et stable.**

CONSERVEZ CES INSTRUCTIONS.

⚠ AVERTISSEMENT : NE vous laissez PAS tromper (au fil d'une utilisation répétée) par un sentiment d'aisance et de familiarité avec le produit, en négligeant le respect rigoureux des consignes de sécurité qui accompagnent le produit en question. La MAUVAISE UTILISATION de l'outil ou l'ignorance des consignes de sécurité indiquées dans ce mode d'emploi peut entraîner de graves blessures.

1. **Avant d'utiliser la batterie, lisez toutes les instructions et précautions relatives (1) au chargeur de batterie, (2) à la batterie, et (3) au produit utilisant la batterie.**
2. **Ne désassemblez pas et ne modifiez pas la batterie.** Cela pourrait entraîner un incendie, une chaleur excessive ou une explosion.
3. **Cessez immédiatement l'utilisation si le temps de fonctionnement devient excessivement court.** Il y a risque de surchauffe, de brûlures, voire d'explosion.
4. **Si l'électrolyte pénètre dans vos yeux, rincez-les à l'eau claire et consultez immédiatement un médecin.** Il y a risque de perte de la vue.
5. **Ne court-circuitez pas la batterie :**
 - (1) **Ne touchez pas les bornes avec aucun matériau conducteur.**
 - (2) **Évitez de ranger la batterie dans un conteneur avec d'autres objets métalliques, par exemple des clous, des pièces de monnaie, etc.**
 - (3) **N'exposez pas la batterie à l'eau ou à la pluie.**

- Un court-circuit de la batterie peut provoquer une intensité de courant élevée, une surchauffe, parfois des brûlures et même une panne.**
6. **Ne rangez ni n'utilisez l'outil et la batterie dans un endroit où la température risque d'atteindre ou de dépasser 50 °C.**
 7. **Ne jetez pas la batterie au feu même si elle est sérieusement endommagée ou complètement épuisée.** La batterie peut exploser au contact du feu.
 8. **Abstenez-vous de clouer, couper, écraser, jeter, laisser tomber la batterie, ou de la heurter contre un objet dur.** Cela pourrait entraîner un incendie, une chaleur excessive ou une explosion.
 9. **N'utilisez pas la batterie si elle est endommagée.**
 10. **Les batteries au lithium-ion contenues sont soumises aux exigences de la législation sur les marchandises dangereuses.** Lors du transport commercial par des tiers parties ou des transitaires par exemple, des exigences spécifiques en matière d'étiquetage et d'emballage doivent être respectées. Pour la préparation de l'article expédié, il est nécessaire de consulter un expert en matériau dangereux. Veuillez également respecter les réglementations nationales susceptibles d'être plus détaillées. Recouvrez les contacts exposés avec du ruban adhésif ou du ruban de masquage et emballez la batterie de telle sorte qu'elle ne puisse pas bouger dans l'emballage.
 11. **Lors de la mise au rebut de la batterie, retirez-la de l'outil et jetez-la en lieu sûr.** Suivez les réglementations locales en matière de mise au rebut des batteries.

12. **Utilisez les batteries uniquement avec les produits spécifiés par Makita.** L'insertion de batteries dans des produits non conformes peut provoquer un incendie, une chaleur excessive, une explosion ou une fuite de l'électrolyte.
13. **Lorsque vous n'utilisez pas l'outil pendant une période prolongée, la batterie doit être retirée de l'outil.**
14. **Pendant et après l'utilisation, la batterie peut chauffer, ce qui peut entraîner des brûlures, y compris en cas de température relativement basse. Manipulez les batteries chaudes avec précaution.**
15. **Ne touchez pas la borne de l'outil immédiatement après utilisation car elle peut être assez chaude pour provoquer des brûlures.**
16. **Évitez que des copeaux, de la poussière ou du sol adhèrent aux bornes, aux trous et aux rainures de la batterie.** Cela peut provoquer un échauffement, un incendie, une explosion ou un dysfonctionnement de l'outil ou de la batterie, ce qui peut entraîner des brûlures ou des blessures.
17. **À moins que l'outil prenne en charge un tel usage, n'utilisez pas la batterie à proximité de lignes électriques haute tension.** Cela pourrait entraîner un dysfonctionnement ou casser l'outil ou la batterie.
18. **Conservez la batterie hors de portée des enfants.**

CONSERVEZ CES INSTRUCTIONS.

⚠ ATTENTION : N'utilisez que des batteries Makita d'origine. L'utilisation de batteries de marque autre que Makita ou de batteries modifiées peut provoquer l'explosion des batteries, ce qui présente un risque d'incendie, de dommages matériels et corporels. Cela annulera également la garantie Makita pour l'outil et le chargeur Makita.

Conseils pour assurer la durée de vie optimale de la batterie

1. **Chargez la batterie avant qu'elle ne soit complètement déchargée. Arrêtez toujours l'outil et rechargez la batterie quand vous remarquez que la puissance de l'outil diminue.**
2. **Ne rechargez jamais une batterie complètement chargée. La surcharge réduit la durée de service de la batterie.**
3. **Chargez la batterie à une température ambiante comprise entre 10 °C et 40 °C. Avant de charger une batterie chaude, laissez-la refroidir.**
4. **Lorsque vous n'utilisez pas la batterie, retirez-la de l'outil ou du chargeur.**
5. **Rechargez la batterie si elle est restée inutilisée pendant une période prolongée (plus de six mois).**

DESCRIPTION DES PIÈCES

Modèle UT001G

► Fig.1

1	Gâchette	2	Bouton de sécurité
3	Bouton de verrouillage	4	Molette de réglage de la vitesse
5	Bouton de changement de vitesse	6	Couvercle de la batterie
7	Poignée	8	Porte-axe
9	Axe	10	Lame de malaxage

Modèle UT002G

► Fig.2

1	Gâchette	2	Bouton de sécurité
3	Bouton de verrouillage	4	Molette de réglage de la vitesse
5	Bouton de changement de vitesse	6	Couvercle de la batterie
7	Poignée	8	Mandrin

PRÉPARATIFS AVANT UTILISATION

Indication de la charge restante de la batterie

Appuyez sur le bouton de vérification sur la batterie pour indiquer la charge restante de la batterie. Les témoins s'allument pendant quelques secondes.

► Fig.3: 1. Témoins 2. Bouton de vérification

Témoins			Charge restante
Allumé	Éteint	Clignotant	
■	□	▧	75 % à 100 %
■	■	□	50 % à 75 %
■	□	□	25 % à 50 %
■	□	□	0 % à 25 %
▧	□	□	Chargez la batterie.
■	■	□	Anomalie possible de la batterie.
□	□	■	

NOTE : Selon les conditions d'utilisation et la température ambiante, l'indication peut être légèrement différente de la capacité réelle.

NOTE : Le premier témoin (complètement à gauche) clignotera pendant le fonctionnement du système de protection de la batterie.

Ce que vous devez connaître avant toute utilisation

Tenez la poignée lorsque vous utilisez ou transportez l'outil.

► Fig.4

⚠ ATTENTION : Ne tenez pas la partie en tôle. Les zones coupantes peuvent provoquer des blessures.

Système de protection de l'outil/la batterie

L'outil est équipé d'un système de protection de l'outil/la batterie. Ce système coupe automatiquement l'alimentation vers le moteur pour prolonger la durée de vie de l'outil et de la batterie. Si l'outil ou la batterie se trouve dans l'une des situations suivantes, l'outil cessera automatiquement de fonctionner.

Protection contre la surcharge

Lorsque l'outil ou la batterie est utilisé(e) d'une manière provoquant un appel de courant anormalement élevé, l'outil s'arrête automatiquement. Dans ce cas, éteignez l'outil et arrêtez la tâche ayant provoqué la surcharge de l'outil. Puis rallumez l'outil pour reprendre la tâche.

Protection contre la surchauffe

En cas de surchauffe de l'outil ou de la batterie, l'outil s'arrête automatiquement. Dans ce cas, laissez l'outil ou la batterie refroidir avant de rallumer l'outil.

Protection contre la décharge totale de la batterie

Lorsque la charge restante de la batterie devient très faible, l'outil s'arrête automatiquement. Si le produit ne fonctionne pas même en actionnant les boutons, retirez les batteries de l'outil et chargez-les.

MÉTHODE D'UTILISATION

⚠ ATTENTION : Assurez-vous toujours que l'outil est hors tension et que sa batterie est retirée avant d'effectuer toute tâche dessus.

REMARQUE : Lorsque vous ne travaillez pas, posez la machine et rangez-la.

► Fig.5

Assemblage

Installation de l'axe

Accessoire en option

Pour le UT001G

1. Serrez l'axe dans le porte-axe.

► Fig.6: 1. Axe 2. Porte-axe

2. Maintenez les méplats sur le porte-axe avec une clé de 19 mm pour que ce dernier ne puisse pas tourner. En maintenant ainsi les méplats, serrez l'écrou hexagonal avec une autre clé de 19 mm dans le sens de la flèche.

► Fig.7: 1. Axe 2. Porte-axe

Pour le UT002G

1. Insérez l'axe dans le mandrin en l'insérant à fond.

► Fig.8: 1. Axe 2. Mandrin

2. Serrez le mandrin manuellement, puis placez la clé de mandrin dans chacun des trois orifices et serrez-la dans le sens des aiguilles d'une montre. Assurez-vous de serrer la clé de mandrin sur les trois orifices de manière uniforme.

► Fig.9: 1. Clé de mandrin 2. Mandrin

3. Pour retirer l'axe, tournez la clé de mandrin dans le sens inverse des aiguilles d'une montre sur un des orifices, puis desserrez manuellement le mandrin.

4. Lorsque vous n'utilisez pas la clé de mandrin, rangez-la comme illustré sur la figure pour éviter de la perdre.

► Fig.10: 1. Clé de mandrin

Pose de la lame de malaxage

Accessoire en option

Insérez la lame de malaxage dans l'axe, puis maintenez-la en place avec le boulon hexagonal. À cette étape, placez-la de sorte que l'extrémité supérieure du boulon hexagonal s'adapte toujours à la surface plane sur l'axe et serrez le boulon hexagonal avec la clé fournie.

► Fig.11: 1. Boulon hexagonal 2. Axe 3. Surface plane 4. Lame de malaxage

Lors de l'installation des lames de malaxage en deux positions différentes, montez et fixez les deux lames de malaxage sur la partie plane de l'axe avec les boulons hexagonaux de sorte que la même surface de lames de malaxage soit en face l'une de l'autre, comme illustré sur la figure.

► Fig.12: 1. Boulon hexagonal 2. Axe 3. Surface plane 4. Lame de malaxage

NOTE : Demandez à votre centre de service Makita local de vous indiquer les lames de malaxage autorisées.

Insertion ou retrait de la batterie

⚠ ATTENTION : Éteignez toujours l'outil avant de mettre en place ou de retirer la batterie.

⚠ ATTENTION : Tenez fermement l'outil et la batterie lors de la mise en place ou du retrait de la batterie. Si vous ne tenez pas fermement l'outil et la batterie, ils peuvent vous glisser des mains, et s'abîmer ou vous blesser.

⚠ ATTENTION : N'utilisez pas cet outil avec l'adaptateur de batterie. Si vous connectez l'adaptateur de batterie à l'outil, le couvercle de la batterie ne pourra pas fermer. Utiliser l'outil avec le couvercle de la batterie ouvert présente un risque de blessure.

⚠ ATTENTION : Veillez à ne pas vous pincer les doigts lors de l'ouverture ou de la fermeture du couvercle de la batterie.

REMARQUE : Installez un couvercle de batterie convenant à la taille de la batterie.

Ouvrez le couvercle de la batterie en appuyant sur le bouton dessus.

► **Fig.13:** 1. Bouton 2. Couvercle de la batterie

Pour retirer la batterie, faites-la glisser hors de l'outil tout en faisant glisser le bouton à l'avant de la batterie.

► **Fig.14:** 1. Indicateur rouge 2. Bouton 3. Batterie

Pour mettre la batterie en place, alignez la languette de la batterie avec la rainure du compartiment puis insérez la batterie. Insérez-la entièrement jusqu'à entendre un léger déclic indiquant qu'elle est bien en place. Si vous pouvez voir l'indicateur rouge comme illustré sur la figure, c'est qu'elle n'est pas bien verrouillée.

Après avoir installé la batterie, refermez bien le couvercle de la batterie.

⚠ ATTENTION : Insérez toujours complètement la batterie jusqu'à ce que l'indicateur rouge ne soit plus visible. Sinon, elle pourrait tomber accidentellement de l'outil, au risque de vous blesser ou de blesser quelqu'un se trouvant près de vous.

⚠ ATTENTION : N'insérez pas la batterie de force. Si elle ne glisse pas facilement, c'est que vous ne l'insérez pas correctement.

Fonctionnement de la gâchette

⚠ AVERTISSEMENT : Avant d'insérer la batterie dans l'outil, assurez-vous toujours que la gâchette fonctionne bien et revient en position d'arrêt en l'enclenchant complètement et en la relâchant.

⚠ AVERTISSEMENT : NE bloquez JAMAIS le bouton de sécurité avec du ruban ou de toute autre manière. Une gâchette dont le bouton de sécurité est bloqué comporte un risque d'activation accidentelle pouvant entraîner de graves blessures.

⚠ AVERTISSEMENT : N'utilisez JAMAIS l'outil s'il se met en marche lorsque vous appuyez simplement sur la gâchette sans avoir enfoncé le bouton de sécurité. Une gâchette non réparée comporte un risque d'activation accidentelle pouvant entraîner de graves blessures. Confiez l'outil à un centre d'entretien Makita pour le faire réparer AVANT de poursuivre l'utilisation.

⚠ AVERTISSEMENT : N'installez pas la batterie alors que le bouton de verrouillage est enclenché.

Pour éviter tout déclenchement accidentel de la gâchette, l'outil est muni d'un bouton de sécurité. Pour démarrer l'outil, enfoncez le bouton de sécurité et enclenchez la gâchette. La vitesse de l'outil augmente à mesure que vous augmentez la pression sur la gâchette. Pour l'arrêter, relâchez la gâchette. Pour un fonctionnement en continu, enfoncez le bouton de verrouillage tout en enclenchant la gâchette, puis relâchez-la. Pour arrêter l'outil, enclenchez complètement la gâchette, puis relâchez-la.

► **Fig.15:** 1. Gâchette 2. Bouton de sécurité 3. Bouton de verrouillage

Fonctionnement du bouton de changement de vitesse

REMARQUE : N'utilisez le bouton de changement de vitesse qu'une fois l'outil complètement arrêté. Si vous changez le mode de vitesse de l'outil avant l'arrêt de l'outil, vous risquez de l'endommager.

REMARQUE : Mettez toujours le bouton de changement de vitesse soigneusement sur la bonne position. En utilisant l'outil avec le bouton de changement de vitesse placé à mi-chemin entre la position 1 et la position 2, vous risquez d'endommager l'outil.

REMARQUE : Si la vitesse de rotation diminue considérablement pendant le fonctionnement en mode grande vitesse, arrêtez l'outil et réglez le mode sur le mode basse vitesse. Autrement, cela pourrait provoquer la surcharge du moteur et entraîner un dysfonctionnement ou un incendie.

Deux plages de vitesse peuvent être présélectionnées avec le bouton de changement de vitesse.

Sélectionnez le mode de vitesse adéquate selon le matériau à mélanger.

Pour changer le mode de vitesse, tournez le bouton de changement de vitesse de sorte que l'index soit dirigé vers le point à la position 1 pour le mode basse vitesse ou vers le point à la position 2 pour le mode grande vitesse.

► **Fig.16:** 1. Index 2. Bouton de changement de vitesse 3. Point

Fonctionnement de la molette de réglage de la vitesse

La vitesse de l'outil peut être réglée en continu en tournant la molette de réglage de la vitesse. La vitesse à vide lorsque la gâchette est complètement enclenchée peut être réglée entre 270 min⁻¹ et 500 min⁻¹ en mode basse vitesse et entre 500 min⁻¹ et 920 min⁻¹ en mode grande vitesse. Une vitesse plus élevée s'obtient en tournant la molette vers le numéro 5 et une vitesse plus basse en la tournant vers le numéro 1. Sélectionnez la vitesse adéquate selon le matériau à mélanger.

► **Fig.17:** 1. Molette de réglage de la vitesse

REMARQUE : La molette de réglage de la vitesse ne peut pas être tournée plus haut que 5 ou plus bas que 1. Ne forcez pas au-delà de 5 ou 1.

Fonction de prévention de redémarrage accidentel

Si vous installez la batterie tout en enclenchant ou en verrouillant la gâchette, l'outil ne démarrera pas. Pour démarrer l'outil, relâchez la gâchette, puis enclenchez-la.

Fonction électronique

L'outil est doté de la fonction électronique suivante pour en faciliter le fonctionnement.

Démarrage en douceur

La fonction de démarrage en douceur minimise le choc au démarrage et permet de démarrer l'outil en douceur.

Opérations de base

⚠ ATTENTION : Ne mélangez pas de matériaux inflammables, ni n'utilisez l'outil à proximité de matériaux inflammables comme de la peinture avec du diluant utilisé comme solvant. Vous risqueriez autrement de vous blesser.

⚠ ATTENTION : Ne mélangez pas de matériau à viscosité élevée dans le mode grande vitesse. Vous risqueriez de perdre la maîtrise de l'outil et de vous blesser.

⚠ ATTENTION : Ne faites pas pivoter la lame de malaxage à l'extérieur de la cuve d'agitation.

⚠ ATTENTION : Si vous entendez un bruit anormal pendant l'utilisation, mettez l'outil hors tension avec l'interrupteur et cessez de l'utiliser.

REMARQUE : Lorsque vous mélangez le matériau alors que la lame de malaxage flotte hors du matériau, prenez garde de ne pas asperger de matériau autour de vous.

REMARQUE : N'utilisez pas l'outil à d'autres fins que l'agitation du mortier, du béton, etc.

1. Sélectionnez le mode grande vitesse ou le mode basse vitesse en fonction du matériau à mélanger.
2. Tenez l'outil fermement à deux mains. Placez la lame de malaxage complètement sous le matériau. Vérifiez que le matériau ne s'est pas solidifié et que le chantier est sûr, puis mettez l'outil sous tension.
3. Déplacez la lame de malaxage de haut en bas pendant le malaxage de sorte que l'ensemble du matériau puisse être mélangé.
4. Lorsque le malaxage est terminé, mettez l'outil hors tension. Assurez-vous de l'arrêt complet de la lame de malaxage, puis sortez-la de la cuve de mélange.

Opérations appliquées

⚠ ATTENTION : Assurez-vous toujours que l'outil est hors tension et que sa batterie est retirée avant de l'ajuster ou de vérifier son fonctionnement.

Remplacement du couvercle de la batterie

Accessoire en option

Installez l'un des couvercles de batterie selon la taille de votre batterie.

► **Fig.18:** 1. Couvercle de la batterie S 2. Couvercle de la batterie L 3. Bouton

1. Ouvrez le couvercle de la batterie équipé en série en appuyant sur le bouton dessus.
 2. Desserrez la vis fixant le couvercle de la batterie équipé en série. Retirez ensuite la vis, le manchon et le couvercle de la batterie.
- **Fig.19:** 1. Vis 2. Manchon 3. Couvercle de la batterie (équipé en série)

NOTE : Le manchon peut rester dans les orifices de montage. Dans ce cas, sortez-le avec une vis ou un objet similaire.

3. Alignez l'orifice de montage du couvercle de la batterie en option avec ceux sur le logement. Insérez le manchon. Serrez ensuite les vis pour le maintenir en place.
- **Fig.20:** 1. Vis 2. Manchon 3. Couvercle de la batterie (en option)
4. Fermez solidement le couvercle de la batterie.

Installation ou retrait du porte-axe

selon le pays

Pour le UT001G

Installez l'un des porte-axes disponibles en option selon la taille de la vis de l'axe.

► **Fig.21:** 1. Porte-axe M12 2. Porte-axe M14

Tout en tenant la tige avec une clé, desserrez le porte-axe avec une autre clé.

► **Fig.22:** 1. Porte-axe 2. Clé 3. Tige

Pour installer le porte-axe, réalisez la procédure de dépose en sens inverse.

Pour le UT002G

1. Insérez la clé hexagonale dans le mandrin, puis desserrez le mandrin à l'aide de la clé hexagonale tout en tenant la tige avec la clé.

► **Fig.23:** 1. Clé hexagonale 2. Mandrin 3. Clé 4. Tige

2. Serrez le porte-axe avec une clé tout en tenant la tige avec une autre clé.

► **Fig.24:** 1. Porte-axe 2. Clé 3. Tige

Manipulation après utilisation

Utilisez un chiffon humide ou autre pour essuyer soigneusement le matériau resté sur l'outil après utilisation. Redoublez de précaution pour nettoyer en profondeur les orifices d'aération, la zone des interrupteurs, les ouvertures des couvercles, etc.

REMARQUE : Évitez de nettoyer l'outil dans l'eau. De l'eau peut pénétrer dans le carter du moteur et provoquer une défaillance du moteur.

ENTRETIEN

ATTENTION : Assurez-vous toujours que l'outil est hors tension et que la batterie est retirée avant d'y effectuer tout travail d'inspection ou d'entretien.

REMARQUE : N'utilisez jamais d'essence, benzine, diluant, alcool ou autre produit similaire. Cela risquerait de provoquer la décoloration, la déformation ou la fissuration de l'outil.

Pour assurer la SÉCURITÉ et la FIABILITÉ du produit, toute réparation, tout travail d'entretien ou de réglage doivent être effectués par un centre de service après-vente Makita agréé ou un centre de service usine, avec des pièces de rechange Makita.

Guide de dépannage

Avant de solliciter une réparation, vérifiez les points suivants.

1. Éteignez l'outil, puis rallumez-le pour le redémarrer.
2. Chargez la ou les batteries ou remplacez-les par des batteries rechargées.
3. Laissez l'outil et la ou les batteries refroidir.

En l'absence d'amélioration après avoir rétabli le système de protection, contactez votre centre de service Makita local.

ACCESSOIRES EN OPTION

ATTENTION : Ces accessoires ou pièces complémentaires sont recommandés pour l'utilisation avec l'outil Makita spécifié dans ce mode d'emploi. L'utilisation de tout autre accessoire ou pièce complémentaire peut comporter un risque de blessure. N'utilisez les accessoires ou pièces complémentaires qu'aux fins auxquelles ils ont été conçus.

Pour obtenir plus de détails sur ces accessoires, contactez votre centre d'entretien local Makita.

- Lame de malaxage
- Axe
- Couvercle de la batterie
- Batterie et chargeur de marque Makita

NOTE : Il se peut que certains éléments de la liste soient compris dans l'emballage de l'outil en tant qu'accessoires standard. Ils peuvent varier d'un pays à l'autre.

TECHNISCHE DATEN

Modell:		UT001G	UT002G
Leerlaufdrehzahl	Hochdrehzahlmodus	0 - 920 min ⁻¹	
	Niederdrehzahlmodus	0 - 500 min ⁻¹	
Maximaler Rührblattdurchmesser		240 mm	
Gesamtlänge (ohne Welle und Rührblatt)	mit Akkuabdeckung S	373 mm	363 mm
	mit Akkuabdeckung L	412 mm	403 mm
Nennspannung		36 V - max. 40 V Gleichstrom	
Nettogewicht		5,7 - 7,0 kg	5,8 - 7,2 kg

- Wir behalten uns vor, Änderungen der technischen Daten im Zuge der Entwicklung und des technischen Fortschritts ohne vorherige Ankündigung vorzunehmen.
- Die technischen Daten und der Akku können von Land zu Land unterschiedlich sein.
- Das Gewicht kann abhängig von dem Aufsatz (den Aufsätzen), einschließlich des Akkus, unterschiedlich sein. Die leichteste und die schwerste Kombination, gemäß dem EPTA-Verfahren 01/2014, sind in der Tabelle angegeben.

Zutreffende Akkus und Ladegeräte




Akku	BL4020 / BL4025 / BL4040* / BL4050F* / BL4080F* * : Empfohlener Akku
Ladegerät	DC40RA / DC40RB / DC40RC

- Einige der oben aufgelisteten Akkus und Ladegeräte sind je nach Ihrem Wohngebiet eventuell nicht erhältlich.

⚠ WARNUNG: Verwenden Sie nur die oben aufgeführten Akkus und Ladegeräte. Bei Verwendung irgendwelcher anderer Akkus und Ladegeräte besteht Verletzungs- und/oder Brandgefahr.

Symbole

Nachfolgend werden Symbole beschrieben, die für das Gerät verwendet werden können. Machen Sie sich unbedingt vor der Benutzung mit ihrer Bedeutung vertraut.

	Betriebsanleitung lesen.
	Benutzen Sie das Werkzeug nicht bei Regen.
	Reinigen Sie das Werkzeug nicht mit Wasser.



Nur für EU-Länder
Aufgrund des Vorhandenseins gefährlicher Komponenten in der Ausrüstung können Elektro- und Elektronik-Altgeräte, Akkumulatoren und Batterien sich negativ auf die Umwelt und die menschliche Gesundheit auswirken. Entsorgen Sie Elektro- und Elektronikgeräte oder Batterien nicht mit dem Hausmüll!
In Übereinstimmung mit der Europäischen Richtlinie über Elektro- und Elektronik-Altgeräte, Akkumulatoren und Batterien, verbrauchte Akkumulatoren und Batterien sowie ihrer Anpassung an nationales Recht sollten Elektro-Altgeräte, Batterien und Akkumulatoren gemäß den Umweltschutzbestimmungen getrennt gelagert und zu einer getrennten Sammelstelle für Siedlungsabfälle geliefert werden.
Dies wird durch das am Gerät angebrachte Symbol der durchgestrichenen Abfalltonne auf Rädern angezeigt.

Vorgesehene Verwendung

Das Werkzeug ist zum Mischen von Wandmaterial usw. (außer brennbaren Materialien) vorgesehen.

Geräusch

Typischer A-bewerteter Geräuschpegel ermittelt gemäß EN62841-2-10:

Modell UT001G

Schalldruckpegel (L_{pA}): 81 dB (A)
Schalleistungspegel (L_{WA}): 92 dB (A)
Messunsicherheit (K): 3 dB (A)

Modell UT002G

Schalldruckpegel (L_{pA}): 81 dB (A)
Schalleistungspegel (L_{WA}): 92 dB (A)
Messunsicherheit (K): 3 dB (A)

HINWEIS: Der (Die) angegebene(n) Schallemissionswert(e) wurde(n) im Einklang mit der Standardprüfmethode gemessen und kann (können) für den Vergleich zwischen Werkzeugen herangezogen werden.

HINWEIS: Der (Die) angegebene(n) Schallemissionswert(e) kann (können) auch für eine Vorbewertung des Gefährdungsgrads verwendet werden.

⚠️ WARNUNG: Einen Gehörschutz tragen.

⚠️ WARNUNG: Die Schallemission während der tatsächlichen Benutzung des Elektrowerkzeugs kann je nach der Benutzungsweise des Werkzeugs, und speziell je nach der Art des bearbeiteten Werkstücks, von dem (den) angegebenen Wert(en) abweichen.

⚠️ WARNUNG: Identifizieren Sie Sicherheitsmaßnahmen zum Schutz des Benutzers anhand einer Schätzung des Gefährdungsgrads unter den tatsächlichen Benutzungsbedingungen (unter Berücksichtigung aller Phasen des Arbeitszyklus, wie z. B. Ausschalt- und Leerlaufzeiten des Werkzeugs zusätzlich zur Betriebszeit).

Schwingungen

Schwingungsgesamtwert (Drei-Achsen-Vektorsumme) ermittelt gemäß EN62841-2-10:

Modell UT001G

Arbeitsmodus: Leerlaufbetrieb
Schwingungsemission (a_h): 2,5 m/s² oder weniger
Messunsicherheit (K): 1,5 m/s²

Modell UT002G

Arbeitsmodus: Leerlaufbetrieb
Schwingungsemission (a_h): 2,5 m/s² oder weniger
Messunsicherheit (K): 1,5 m/s²

HINWEIS: Der (Die) angegebene(n) Vibrationsgesamtwert(e) wurde(n) im Einklang mit der Standardprüfmethode gemessen und kann (können) für den Vergleich zwischen Werkzeugen herangezogen werden.

HINWEIS: Der (Die) angegebene(n) Vibrationsgesamtwert(e) kann (können) auch für eine Vorbewertung des Gefährdungsgrads verwendet werden.

⚠️ WARNUNG: Die Vibrationsemission während der tatsächlichen Benutzung des Elektrowerkzeugs kann je nach der Benutzungsweise des Werkzeugs, und speziell je nach der Art des bearbeiteten Werkstücks, von dem (den) angegebenen Emissionswert(en) abweichen.

⚠️ WARNUNG: Identifizieren Sie Sicherheitsmaßnahmen zum Schutz des Benutzers anhand einer Schätzung des Gefährdungsgrads unter den tatsächlichen Benutzungsbedingungen (unter Berücksichtigung aller Phasen des Arbeitszyklus, wie z. B. Ausschalt- und Leerlaufzeiten des Werkzeugs zusätzlich zur Betriebszeit).

EG-Konformitätserklärung

Nur für europäische Länder

Die EG-Konformitätserklärung ist als Anhang A in dieser Bedienungsanleitung enthalten.

SICHERHEITSWARNUNGEN

Allgemeine Sicherheitswarnungen für Elektrowerkzeuge

⚠️ WARNUNG: Lesen Sie alle mit diesem Elektrowerkzeug gelieferten Sicherheitswarnungen, Anweisungen, Abbildungen und technischen Daten durch. Eine Missachtung der unten aufgeführten Anweisungen kann zu einem elektrischen Schlag, Brand und/oder schweren Verletzungen führen.

Bewahren Sie alle Warnungen und Anweisungen für spätere Bezugnahme auf.

Der Ausdruck „Elektrowerkzeug“ in den Warnhinweisen bezieht sich auf Ihr mit Netzstrom (mit Kabel) oder Akku (ohne Kabel) betriebenes Elektrowerkzeug.

Sicherheitswarnungen für Akku-Rührwerk

1. **Halten Sie das Werkzeug mit beiden Händen an den vorgesehenen Handgriffen fest.** Verlust der Kontrolle kann Personenschäden verursachen.
2. **Sorgen Sie beim Mischen von brennbaren Materialien für ausreichende Belüftung, um die Entstehung einer gefährlichen Atmosphäre zu vermeiden.** Anderenfalls können die entstehenden Dämpfe eingeatmet oder von den Funken, die das Elektrowerkzeug erzeugt, entzündet werden.
3. **Verrühren Sie keine Lebensmittel.** Elektrowerkzeuge und ihre Zubehöreile sind nicht für die Verarbeitung von Lebensmitteln ausgelegt.

4. **Gewährleisten Sie, dass der Mischbehälter sich an einer festen und sicheren Position befindet.** Ein Behälter, der nicht ordnungsgemäß gesichert ist, kann sich unerwartet bewegen.
5. **Befolgen Sie die Anweisungen und Warnungen für das zu mischende Material.** Das zu mischende Material kann gesundheitsschädlich sein.
6. **Greifen Sie während des Mischens nicht mit Ihren Händen in den Mischbehälter hinein, und stecken Sie auch keine anderen Gegenstände hinein.** Kontakt mit dem Rührblatt kann zu schweren Personenschäden führen.
7. **Starten und stoppen Sie das Werkzeug nur im Mischbehälter.** Das Rührblatt könnte sonst verbogen werden oder sich in unkontrollierter Weise drehen.
8. **Stellen Sie sicher, dass keine Flüssigkeit gegen das Gehäuse des Elektrowerkzeugs spritzt.** In das Elektrowerkzeug eingedrungene Flüssigkeit kann eine Beschädigung des Werkzeugs verursachen.
9. **Benutzen Sie Zusatzgriffe, sofern sie mit dem Werkzeug geliefert wurden.** Verlust der Kontrolle kann Personenschäden verursachen.
10. **Halten Sie das Elektrowerkzeug an den isolierten Griffflächen, wenn Sie Arbeiten ausführen, bei denen die Gefahr besteht, dass das Schneidzubehör verborgene Kabel kontaktiert.** Bei Kontakt mit einem Strom führenden Kabel können die freiliegenden Metallteile des Elektrowerkzeugs ebenfalls Strom führend werden, so dass der Benutzer einen elektrischen Schlag erleiden kann.
11. **Achten Sie stets auf sicheren Stand.** Vergewissern Sie sich bei Einsatz des Werkzeugs an hochgelegenen Arbeitsplätzen, dass sich keine Personen darunter aufhalten.
12. **Halten Sie das Werkzeug mit festem Griff.**
13. **Halten Sie Ihre Hände von rotierenden Teilen fern.**
14. **Lassen Sie das Werkzeug nicht unbeaufsichtigt laufen.** Betreiben Sie das Werkzeug nur im handgehaltenen Zustand.
15. **Manche Materialien können giftige Chemikalien enthalten.** Treffen Sie Vorsichtsmaßnahmen, um das Einatmen von Arbeitsstaub und Hautkontakt zu verhüten. Befolgen Sie die Sicherheitswarnungen des Materiallieferanten.
16. **Stellen Sie den Mischbehälter bei der Durchführung der Rührarbeit auf eine ebene und stabile Oberfläche.**

BEWAHREN SIE DIESE ANLEITUNG AUF.

⚠️ WARNUNG: Lassen Sie sich NICHT durch Bequemlichkeit oder Vertrautheit mit dem Produkt (durch wiederholten Gebrauch erworben) von der strikten Einhaltung der Sicherheitsregeln für das vorliegende Produkt abhalten. MISSBRAUCH oder Missachtung der Sicherheitsvorschriften in dieser Anleitung können schwere Personenschäden verursachen.

Wichtige Sicherheitsanweisungen für Akku

1. **Lesen Sie vor der Benutzung des Akkus alle Anweisungen und Warnhinweise, die an (1) Ladegerät, (2) Akku und (3) Akkuwerkzeug angebracht sind.**
2. **Unterlassen Sie Zerlegen oder Manipulieren des Akkus.** Es kann sonst zu einem Brand, übermäßiger Hitzeentwicklung oder einer Explosion kommen.
3. **Falls die Betriebszeit beträchtlich kürzer geworden ist, stellen Sie den Betrieb sofort ein.** Anderenfalls besteht die Gefahr von Überhitzung, möglichen Verbrennungen und sogar einer Explosion.
4. **Falls Elektrolyt in Ihre Augen gelangt, waschen Sie sie mit sauberem Wasser aus, und begeben Sie sich unverzüglich in ärztliche Behandlung.** Anderenfalls können Sie Ihre Sehkraft verlieren.
5. **Der Akku darf nicht kurzgeschlossen werden:**
 - (1) **Die Kontakte dürfen nicht mit leitfähigem Material berührt werden.**
 - (2) **Lagern Sie den Akku nicht in einem Behälter zusammen mit anderen Metallgegenständen, wie z. B. Nägel, Münzen usw.**
 - (3) **Setzen Sie den Akku weder Wasser noch Regen aus.**

Ein Kurzschluss des Akkus verursacht starken Stromfluss, der Überhitzung, mögliche Verbrennungen und einen Defekt zur Folge haben kann.
6. **Lagern und benutzen Sie das Werkzeug und den Akku nicht an Orten, an denen die Temperatur 50 °C erreichen oder überschreiten kann.**
7. **Versuchen Sie niemals, den Akku zu verbrennen, selbst wenn er stark beschädigt oder vollkommen verbraucht ist.** Der Akku kann im Feuer explodieren.
8. **Unterlassen Sie Nageln, Schneiden, Zerquetschen, Werfen, Fallenlassen des Akkus oder Schlagen des Akkus mit einem harten Gegenstand.** Eine solche Handlung kann zu einem Brand, übermäßiger Hitzeentwicklung oder einer Explosion führen.
9. **Benutzen Sie keine beschädigten Akkus.**
10. **Die enthaltenen Lithium-Ionen-Akkus unterliegen den Anforderungen der Gefahrgut-Gesetzgebung.** Für kommerzielle Transporte, z. B. durch Dritte oder Spediteure, müssen besondere Anforderungen zu Verpackung und Etikettierung beachtet werden. Zur Vorbereitung des zu transportierenden Artikels ist eine Beratung durch einen Experten für Gefahrgut erforderlich. Bitte beachten Sie möglicherweise ausführlichere nationale Vorschriften. Überkleben oder verdecken Sie offene Kontakte, und verpacken Sie den Akku so, dass er sich in der Verpackung nicht umher bewegen kann.
11. **Entfernen Sie den Akku zum Entsorgen vom Werkzeug, und entsorgen Sie ihn an einem sicheren Ort.** Befolgen Sie die örtlichen Vorschriften bezüglich der Entsorgung von Akkus.

12. **Verwenden Sie die Akkus nur mit den von Makita angegebenen Produkten.** Das Einsetzen der Akkus in nicht konforme Produkte kann zu einem Brand, übermäßiger Hitzebildung, einer Explosion oder Auslaufen von Elektrolyt führen.
13. **Soll das Werkzeug längere Zeit nicht benutzt werden, muss der Akku vom Werkzeug entfernt werden.**
14. **Bei und nach dem Gebrauch kann der Akku heiß werden, was Verbrennungen oder Niedertemperaturverbrennungen verursachen kann. Beachten Sie die Handhabung von heißen Akkus.**
15. **Berühren Sie nicht den Anschlusskontakt des Werkzeugs unmittelbar nach dem Gebrauch, da er heiß genug werden kann, um Verbrennungen zu verursachen.**
16. **Achten Sie darauf, dass sich keine Späne, Staub oder Schmutz in den Anschlusskontakten, Löchern und Nuten des Akkus absetzen.** Es könnte sonst zu Erhitzung, Brandauslösung, Bersten und Funktionsstörungen des Werkzeugs oder des Akkus kommen, was zu Verbrennungen oder Personenschäden führen kann.
17. **Wenn das Werkzeug den Einsatz in der Nähe einer Hochspannungs-Stromleitung nicht unterstützt, benutzen Sie den Akku nicht in der Nähe einer Hochspannungs-Stromleitung.** Dies kann zu einer Funktionsstörung oder Betriebsstörung des Werkzeugs oder des Akkus führen.
18. **Halten Sie die Batterie von Kindern fern.**

DIESE ANWEISUNGEN AUFBEWAHREN.

⚠ VORSICHT: Verwenden Sie nur Original-Makita-Akkus. Die Verwendung von Nicht-Original-Makita-Akkus oder von Akkus, die abgeändert worden sind, kann zum Bersten des Akkus und daraus resultierenden Bränden, Personenschäden und Beschädigung führen. Außerdem wird dadurch die Makita-Garantie für das Makita-Werkzeug und -Ladegerät ungültig.

Hinweise zur Aufrechterhaltung der maximalen Akku-Nutzungsdauer

1. **Laden Sie den Akku, bevor er vollkommen erschöpft ist. Schalten Sie das Werkzeug stets aus, und laden Sie den Akku, wenn Sie ein Nachlassen der Werkzeugleistung feststellen.**
2. **Unterlassen Sie erneutes Laden eines voll aufgeladenen Akkus. Überladen führt zu einer Verkürzung der Nutzungsdauer des Akkus.**
3. **Laden Sie den Akku bei Raumtemperatur zwischen 10 – 40 °C. Lassen Sie einen heißen Akku abkühlen, bevor Sie ihn laden.**
4. **Wenn Sie den Akku nicht benutzen, nehmen Sie ihn vom Werkzeug oder Ladegerät ab.**
5. **Der Akku muss geladen werden, wenn er lange Zeit (länger als sechs Monate) nicht benutzt wird.**

BEZEICHNUNG DER TEILE

Modell UT001G

► Abb.1

1	Auslöseschalter	2	Einschaltsperrknopf
3	Arretierknopf	4	Drehzahl-Stellrad
5	Drehzahl-Umschaltknopf	6	Akkuabdeckung
7	Handgriff	8	Wellenhalter
9	Welle	10	Rührblatt

Modell UT002G

► Abb.2

1	Auslöseschalter	2	Einschaltsperrknopf
3	Arretierknopf	4	Drehzahl-Stellrad
5	Drehzahl-Umschaltknopf	6	Akkuabdeckung
7	Handgriff	8	Spannfutter

VORBEREITUNGEN VOR DEM GEBRAUCH

Anzeigen der Akku-Restkapazität

Drücken Sie die Prüftaste am Akku, um die Akku-Restkapazität anzuzeigen. Die Anzeigelampen leuchten wenige Sekunden lang auf.

► Abb.3: 1. Anzeigelampen 2. Prüftaste

Anzeigelampen			Restkapazität
Erleuchtet	Aus	Blinkend	
■ ■ ■ ■			75% bis 100%
■ ■ ■ □			50% bis 75%
■ ■ □ □			25% bis 50%
■ □ □ □			0% bis 25%
▣ □ □ □			Den Akku aufladen.
■ ■ □ □	↑ ↓	□ □ ■ ■	Möglicherweise liegt eine Funktionsstörung im Akku vor.

HINWEIS: Abhängig von den Benutzungsbedingungen und der Umgebungstemperatur kann die Anzeige geringfügig von der tatsächlichen Kapazität abweichen.

HINWEIS: Die erste (äußerste linke) Anzeigelampe blinkt, wenn das Akku-Schutzsystem aktiv ist.

Was Sie vor der Benutzung wissen müssen

Halten Sie beim Benutzen oder Tragen des Werkzeugs den Handgriff.

► **Abb.4**

⚠ VORSICHT: Halten Sie nicht den Blechteil. Scharfe Bereiche können Verletzungen verursachen.

Werkzeug/Akku-Schutzsystem

Das Werkzeug ist mit einem Werkzeug/Akku-Schutzsystem ausgestattet. Dieses System schaltet die Stromversorgung des Motors automatisch ab, um die Lebensdauer von Werkzeug und Akku zu verlängern. Das Werkzeug bleibt während des Betriebs automatisch stehen, wenn das Werkzeug oder der Akku einer der folgenden Bedingungen unterliegt:

Überlastschutz

Wird das Werkzeug/der Akku auf eine Weise benutzt, die eine ungewöhnlich hohe Stromaufnahme bewirkt, bleibt das Werkzeug automatisch stehen. Schalten Sie in dieser Situation das Werkzeug aus, und brechen Sie die Arbeit ab, die eine Überlastung des Werkzeugs verursacht hat. Schalten Sie dann das Werkzeug wieder ein, um neu zu starten.

Überhitzungsschutz

Wenn das Werkzeug/der Akku überhitzt wird, bleibt das Werkzeug automatisch stehen. Lassen Sie das Werkzeug/den Akku in dieser Situation abkühlen, bevor Sie das Werkzeug wieder einschalten.

Überentladungsschutz

Wenn die Akkukapazität niedrig wird, schaltet sich das Werkzeug automatisch aus. Falls das Produkt trotz Betätigung der Schalter nicht funktioniert, entfernen Sie die Akkus vom Werkzeug, und laden Sie sie auf.

BENUTZUNG

⚠ VORSICHT: Vergewissern Sie sich vor der Ausführung von Arbeiten am Werkzeug stets, dass das Werkzeug ausgeschaltet und der Akku abgenommen ist.

ANMERKUNG: Wenn Sie nicht arbeiten, legen Sie die Maschine ab und bewahren Sie sie auf.

► **Abb.5**

Montage

Installieren der Welle

Sonderzubehör

Für UT001G

1. Drehen Sie die Welle in den Wellenhalter ein.
► **Abb.6:** 1. Welle 2. Wellenhalter

2. Halten Sie die Abflachungen am Wellenhalter mit dem Schraubenschlüssel 19 fest, damit sich der Wellenhalter nicht drehen kann. Während Sie die Abflachungen so halten, ziehen Sie die Sechskantmutter mit einem anderen Schraubenschlüssel 19 in Pfeilrichtung fest.
► **Abb.7:** 1. Welle 2. Wellenhalter

Für UT002G

1. Führen Sie die Welle bis zum Anschlag in das Spannfutter ein.

► **Abb.8:** 1. Welle 2. Spannfutter

2. Ziehen Sie das Spannfutter zunächst von Hand an, stecken Sie dann den Futterschlüssel in jedes der drei Löcher, und ziehen Sie das Spannfutter dann im Uhrzeigersinn fest. Ziehen Sie den Futterschlüssel unbedingt in allen drei Löchern gleichmäßig an.
► **Abb.9:** 1. Futterschlüssel 2. Spannfutter

3. Um die Welle zu entfernen, drehen Sie den Futterschlüssel in einem der Löcher gegen den Uhrzeigersinn, und lösen Sie dann das Spannfutter von Hand.

4. Bewahren Sie den Futterschlüssel bei Nichtgebrauch an der in der Abbildung gezeigten Stelle auf, damit er nicht verloren geht.

► **Abb.10:** 1. Futterschlüssel

Installieren des Rührblatts

Sonderzubehör

Führen Sie das Rührblatt in die Welle ein, und sichern Sie es mit der Sechskantschraube. Positionieren Sie es dabei so, dass das obere Ende der Sechskantschraube stets auf der Abflachung der Welle sitzt, und ziehen Sie die Sechskantschraube mit dem mitgelieferten Schraubenschlüssel fest.

► **Abb.11:** 1. Sechskantschraube 2. Welle
3. Abflachung 4. Rührblatt

Wenn Sie die Rührblätter an zwei unterschiedlichen Positionen montieren, montieren und sichern Sie die zwei Rührblätter auf der Abflachung der Welle mit den Sechskantschrauben, so dass die gleichen Oberflächen der Rührblätter zueinander gerichtet sind, wie in der Abbildung gezeigt.

► **Abb.12:** 1. Sechskantschraube 2. Welle
3. Abflachung 4. Rührblatt

HINWEIS: Erkundigen Sie sich bei Ihrer örtlichen Makita-Kundendienststelle, welche Rührblätter zulässig sind.

Anbringen und Abnehmen des Akkus

⚠ VORSICHT: Schalten Sie das Werkzeug stets aus, bevor Sie den Akku anbringen oder abnehmen.

⚠ VORSICHT: Halten Sie das Werkzeug und den Akku beim Anbringen oder Abnehmen des Akkus sicher fest. Wenn Sie das Werkzeug und den Akku nicht sicher festhalten, können sie Ihnen aus der Hand rutschen, was zu einer Beschädigung des Werkzeugs und des Akkus und zu Körperverletzungen führen kann.

⚠ VORSICHT: Benutzen Sie dieses Werkzeug nicht mit dem Akku-Adapter. Wenn Sie den Akku-Adapter an das Werkzeug anschließen, kann die Akkuabdeckung nicht geschlossen werden, und die Benutzung des Werkzeugs bei offener Akkuabdeckung kann eine Verletzung verursachen.

⚠ VORSICHT: Achten Sie beim Öffnen oder Schließen der Akkuabdeckung darauf, dass Sie sich nicht die Finger klemmen.

ANMERKUNG: Installieren Sie eine Akkuabdeckung, die der Größe des Akkus entspricht.

Öffnen Sie die Akkuabdeckung, während Sie den Knopf an der Akkuabdeckung drücken.

► **Abb.13:** 1. Knopf 2. Akkuabdeckung

Ziehen Sie den Akku zum Abnehmen vom Werkzeug ab, während Sie den Knopf an der Vorderseite des Akkus verschieben.

► **Abb.14:** 1. Rote Anzeige 2. Knopf 3. Akku

Richten Sie zum Anbringen des Akkus dessen Führungsfeder auf die Nut im Gehäuse aus, und schieben Sie den Akku hinein. Schieben Sie ihn vollständig ein, bis er mit einem leisen Klicken einrastet. Wenn Sie die rote Anzeige sehen können, wie in der Abbildung gezeigt, ist der Akku nicht vollständig verriegelt.

Schließen Sie die Akkuabdeckung sicher, nachdem Sie den Akku eingesetzt haben.

⚠ VORSICHT: Schieben Sie den Akku stets bis zum Anschlag ein, bis die rote Anzeige nicht mehr sichtbar ist. Anderenfalls kann er aus dem Werkzeug herausfallen und Sie oder umstehende Personen verletzen.

⚠ VORSICHT: Unterlassen Sie Gewaltanwendung beim Anbringen des Akkus. Falls der Akku nicht reibungslos hineingleitet, ist er nicht richtig ausgerichtet.

Schalterfunktion

⚠ WARNUNG: Vergewissern Sie sich vor dem Anbringen des Akkus am Werkzeug stets, dass der Auslöseschalter ordnungsgemäß funktioniert und durch vollständiges Drücken und Loslassen in die AUS-Stellung zurückkehrt.

⚠ WARNUNG: Versuchen Sie NIEMALS, den Einschaltsperrknopf mit Klebeband oder anderen Mitteln unwirksam zu machen. Ein Schalter mit unwirksamem Einschaltsperrknopf kann zu ungewolltem Betrieb und daraus resultierenden schweren Personenschäden führen.

⚠ WARNUNG: Betreiben Sie das Werkzeug NIEMALS, wenn es durch bloße Betätigung des Auslöseschalters eingeschaltet werden kann, ohne den Einschaltsperrknopf zu drücken. Ein reparaturbedürftiger Schalter kann zu ungewolltem Betrieb und daraus resultierenden schweren Verletzungen führen. Lassen Sie das Werkzeug von einer Makita-Kundendienststelle ordnungsgemäß reparieren, BEVOR Sie es weiter benutzen.

⚠ WARNUNG: Montieren Sie den Akku nicht bei eingearbetetem Arretierknopf.

Um versehentliche Betätigung des Auslöseschalters zu verhüten, ist das Werkzeug mit einem Einschaltsperrknopf ausgestattet. Zum Starten des Werkzeugs drücken Sie zuerst den Einschaltsperrknopf, und betätigen Sie dann den Auslöseschalter.

Die Drehzahl des Werkzeugs erhöht sich durch verstärkte Druckausübung auf den Auslöseschalter. Zum Stoppen lassen Sie den Auslöseschalter los.

Für Dauerbetrieb drücken Sie den Arretierknopf hinein, während Sie den Auslöseschalter betätigen, und lassen Sie dann den Auslöseschalter los. Zum Anhalten des Werkzeugs betätigen Sie den Auslöseschalter vollständig, und lassen Sie ihn dann los.

► **Abb.15:** 1. Auslöseschalter 2. Einschaltsperrknopf 3. Arretierknopf

Funktion des Drehzahl-Umschaltknopfes

ANMERKUNG: Betätigen Sie den Drehzahl-Umschaltknopf erst, nachdem das Werkzeug zu einem vollständigen Stillstand gekommen ist. Durch Umschalten des Drehzahlmodus bei noch laufendem Werkzeug kann das Werkzeug beschädigt werden.

ANMERKUNG: Rasten Sie den Drehzahl-Umschaltknopf stets sorgfältig in die korrekte Position ein. Wird das Werkzeug bei einer Zwischenstellung des Drehzahl-Umschaltknopfes zwischen den Positionen 1 und 2 betrieben, kann es beschädigt werden.

ANMERKUNG: Falls die Drehzahl während des Betriebs im Hochdrehzahlmodus erheblich abfällt, stoppen Sie das Werkzeug, und schalten Sie es auf den Niederdrehzahlmodus um. Anderenfalls kann der Motor überlastet werden und eine Funktionsstörung oder einen Brand verursachen.

Zwei Drehzahlbereiche können mit dem Drehzahl-Umschaltknopf vorgewählt werden.

Wählen Sie den richtigen Drehzahlmodus für das zu mischende Material.

Um den Drehzahlmodus zu ändern, drehen Sie den Drehzahl-Umschaltknopf so, dass der Zeiger auf den Punkt bei Position 1 für den Niederdrehzahlmodus oder den Punkt bei Position 2 für den Hochdrehzahlmodus zeigt.

► **Abb.16:** 1. Zeiger 2. Drehzahl-Umschaltknopf 3. Punkt

Funktion des Drehzahl-Stellrads

Die Werkzeugdrehzahl kann durch Drehen des Drehzahl-Stellrads stufenlos eingestellt werden. Die Leerlaufdrehzahl bei vollständig betätigtem Auslöseschalter kann auf 270 min⁻¹ bis 500 min⁻¹ im Niederdrehzahlmodus und auf 500 min⁻¹ bis 920 min⁻¹ im Hochdrehzahlmodus eingestellt werden. Durch Drehen des Stellrads in Richtung der Nummer 5 wird die Drehzahl erhöht, während sie durch Drehen in Richtung 1 verringert wird.

Wählen Sie die richtige Drehzahl für das zu mischende Material.

► **Abb.17:** 1. Drehzahl-Stellrad

ANMERKUNG: Das Drehzahl-Stellrad lässt sich nur bis 5 und zurück auf 1 drehen. Drehen Sie es nicht gewaltsam über 5 oder 1 hinaus.

Funktion zur Verhütung eines versehentlichen Wiederanlaufs

Falls Sie den Akku montieren, während Sie den Auslöseschalter betätigen oder sperren, startet das Werkzeug nicht. Zum Starten des Werkzeugs lassen Sie den Auslöseschalter zunächst los, bevor Sie ihn betätigen.

Elektronikfunktion

Für komfortablen Betrieb ist das Werkzeug mit der folgenden Elektronikfunktion ausgestattet.

Sanftanlauf

Die Sanftanlauf-Funktion reduziert Anlaufstöße auf ein Minimum und bewirkt ruckfreies Anlaufen des Werkzeugs.

Grundlegende Bedienung

⚠ VORSICHT: Unterlassen Sie das Mischen von brennbaren Materialien oder das Betreiben des Werkzeugs im Umfeld von brennbaren Materialien, wie z. B. Lack mit Verdünnern als Lösungsmittel. Anderenfalls kann es zu Verletzungen kommen.

⚠ VORSICHT: Mischen Sie Material mit hoher Viskosität nicht im Hochdrehzahlmodus. Anderenfalls können Sie die Kontrolle über das Werkzeug verlieren und eine Verletzung verursachen.

⚠ VORSICHT: Drehen Sie das Rührblatt nicht außerhalb des Rührgefäßes.

⚠ VORSICHT: Falls Sie während der Benutzung ein abnormales Geräusch hören, schalten Sie den Schalter aus und benutzen Sie das Werkzeug nicht weiter.

ANMERKUNG: Wenn Sie das Material verrühren, während das Rührblatt aus dem Material herausdriftet, achten Sie darauf, dass Sie das Material nicht verspritzen.

ANMERKUNG: Benutzen Sie das Werkzeug nicht für andere Zwecke als zum Anrühren von Mörtel, Beton usw.

1. Wählen Sie den Hochdrehzahl- oder Niederdrehzahlmodus entsprechend dem zu verrührenden Material.
2. Halten Sie das Werkzeug mit beiden Händen fest. Tauchen Sie das Rührblatt vollständig in das Material ein. Überprüfen Sie, dass das Material nicht verfestigt ist, und die Sicherheit der Baustelle, bevor Sie das Werkzeug einschalten.
3. Bewegen Sie das Rührblatt während des Mischvorgangs auf und ab, so dass alle Teile des Materials vermischt werden.
4. Wenn Sie mit dem Mischen fertig sind, schalten Sie das Werkzeug aus. Vergewissern Sie sich, dass das Rührblatt vollständig zum Stillstand gekommen ist, und ziehen Sie es dann aus dem Mischbehälter heraus.

Angewandte Operationen

⚠ VORSICHT: Vergewissern Sie sich vor der Durchführung von Einstellungen oder Funktionsprüfungen des Werkzeugs stets, dass das Werkzeug ausgeschaltet und der Akku abgenommen ist.

Austauschen der Akkuabdeckung

Sonderzubehör

Installieren Sie eine der Akkuabdeckungen, die auf die Größe Ihres Akkus abgestimmt ist.

► **Abb.18:** 1. Akkuabdeckung S 2. Akkuabdeckung L 3. Knopf

1. Öffnen Sie die serienmäßige Akkuabdeckung, während Sie den Knopf an der Akkuabdeckung drücken.

2. Lösen Sie die Schraube, die die serienmäßige Akkuabdeckung sichert. Entfernen Sie dann die Schraube, die Hülse und die Akkuabdeckung.

► **Abb.19:** 1. Schraube 2. Hülse 3. Akkuabdeckung (serienmäßig)

HINWEIS: Die Hülse kann in den Montagelöchern verbleiben. Benutzen Sie in diesem Fall eine Schraube oder dergleichen, um sie herauszuziehen.

3. Richten Sie das Montageloch der optionalen Akkuabdeckung auf die Montagelöcher des Gehäuses aus. Führen Sie die Hülse ein. Ziehen Sie dann die Schrauben an, um die Hülse zu sichern.

► **Abb.20:** 1. Schraube 2. Hülse 3. Akkuabdeckung (optional)

4. Schließen Sie die Akkuabdeckung sicher.

Anbringen und Abnehmen des Wellenhalters

länderspezifisch

Für UT001G

Installieren Sie einen der optional erhältlichen Wellenhalter, der zu Ihrer Schraubengröße der Welle passt.

► **Abb.21:** 1. M12 Wellenhalter 2. M14 Wellenhalter

Während Sie die Spindel mit einem Schraubenschlüssel festhalten, lösen Sie den Wellenhalter mit einem anderen Schraubenschlüssel.

► **Abb.22:** 1. Wellenhalter 2. Schraubenschlüssel 3. Spindel

Zum Installieren des Wellenhalters führen Sie den Ausbauvorgang in umgekehrter Reihenfolge durch.

Für UT002G

1. Führen Sie den Inbusschlüssel in das Spannfutter ein, und lösen Sie dann das Spannfutter mit dem Inbusschlüssel, während Sie die Spindel mit dem Schraubenschlüssel festhalten.

► **Abb.23:** 1. Inbusschlüssel 2. Spannfutter 3. Schraubenschlüssel 4. Spindel

2. Ziehen Sie den Wellenhalter mit einem Schraubenschlüssel an, während Sie die Spindel mit einem anderen Schraubenschlüssel festhalten.

► **Abb.24:** 1. Wellenhalter 2. Schraubenschlüssel 3. Spindel

Handhabung nach der Benutzung

Benutzen Sie einen nassen Lappen oder dergleichen, um das am Werkzeug haftende Material nach dem Gebrauch sorgfältig abzuwischen. Besondere Sorgfalt ist der gründlichen Reinigung der Lüftungsschlitze, des Schalterbereichs, der Abdeckungsöffnungen usw. zu widmen.

ANMERKUNG: Vermeiden Sie Waschen des Werkzeugs in Wasser. Wasser kann in das Motorgehäuse eindringen und einen Motorschaden verursachen.

WARTUNG

⚠ VORSICHT: Vergewissern Sie sich vor der Durchführung von Inspektions- oder Wartungsarbeiten stets, dass das Werkzeug ausgeschaltet und der Akku abgenommen ist.

ANMERKUNG: Verwenden Sie auf keinen Fall Benzin, Waschbenzin, Verdünner, Alkohol oder dergleichen. Solche Mittel können Verfärbung, Verformung oder Rissbildung verursachen.

Um die SICHERHEIT und ZUVERLÄSSIGKEIT dieses Produkts zu gewährleisten, sollten Reparaturen und andere Wartungs- oder Einstellarbeiten nur von Makita-Vertragswerkstätten oder Makita-Kundendienstzentren unter ausschließlicher Verwendung von Makita-Originalersatzteilen ausgeführt werden.

Fehlersuche

Bevor Sie eine Reparatur anfordern, überprüfen Sie bitte die folgenden Punkte.

1. Schalten Sie das Werkzeug aus und wieder ein, um es neu zu starten.
2. Laden Sie den/die Akku(s) auf, oder tauschen Sie ihn/sie gegen einen aufgeladenen Akku/aufgeladene Akkus aus.
3. Lassen Sie das Werkzeug und den/die Akku(s) abkühlen.

Falls die Wiederherstellung des Schutzsystems keine Besserung bringt, wenden Sie sich an Ihre lokale Makita-Kundendienststelle.

SONDERZUBEHÖR

⚠ VORSICHT: Die folgenden Zubehörteile oder Vorrichtungen werden für den Einsatz mit dem in dieser Anleitung beschriebenen Makita-Werkzeug empfohlen. Die Verwendung anderer Zubehörteile oder Vorrichtungen kann eine Verletzungsgefahr darstellen. Verwenden Sie Zubehörteile oder Vorrichtungen nur für ihren vorgesehenen Zweck.

Wenn Sie weitere Einzelheiten bezüglich dieser Zubehörteile benötigen, wenden Sie sich bitte an Ihre Makita-Kundendienststelle.

- Rührblatt
- Welle
- Akkuabdeckung
- Original-Makita-Akku und -Ladegerät

HINWEIS: Manche Teile in der Liste können als Standardzubehör im Werkzeugsatz enthalten sein. Sie können von Land zu Land unterschiedlich sein.

DATI TECNICI

Modello:		UT001G	UT002G
Velocità a vuoto	Modalità ad alta velocità	0 - 920 min ⁻¹	
	Modalità a bassa velocità	0 - 500 min ⁻¹	
Diametro massimo frusta di miscelazione		240 mm	
Lunghezza complessiva (senza albero e frusta di miscelazione)	con coperchio della batteria S	373 mm	363 mm
	con coperchio della batteria L	412 mm	403 mm
Tensione nominale		Da 36 V a 40 V CC max	
Peso netto		5,7 - 7,0 kg	5,8 - 7,2 kg

- A causa del nostro programma continuativo di ricerca e sviluppo, i dati tecnici sono soggetti a modifiche senza preavviso.
- I dati tecnici e la cartuccia della batteria potrebbero differire da nazione a nazione.
- Il peso può variare a seconda dell'accessorio o degli accessori, inclusa la cartuccia della batteria. La combinazione più leggera e quella più pesante, secondo la procedura EPTA 01/2014, sono indicate nella tabella.

Cartuccia della batteria e caricabatterie applicabili

Cartuccia della batteria	BL4020 / BL4025 / BL4040* / BL4050F* / BL4080F* *: Batteria consigliata
Caricabatterie	DC40RA / DC40RB / DC40RC

- Alcune cartucce delle batterie e alcuni caricabatterie elencati sopra potrebbero non essere disponibili a seconda della propria area geografica di residenza.

⚠ AVVERTIMENTO: Utilizzare solo le cartucce delle batterie e i caricabatterie elencati sopra. L'utilizzo di altre cartucce delle batterie e di altri caricabatterie potrebbe causare lesioni personali e/o un incendio.

Simboli

Le figure seguenti mostrano i simboli utilizzati per l'apparecchio. Accertarsi di comprenderne il significato prima dell'uso.



Leggere il manuale d'uso.



Non utilizzare l'utensile sotto la pioggia.



Non pulire l'utensile con acqua.



Solo per le nazioni dell'EU
A causa della presenza di componenti pericolosi nelle apparecchiature, i rifiuti di apparecchiature elettriche ed elettroniche, accumulatori e batterie potrebbero produrre un impatto negativo sull'ambiente e sulla salute umana.

Non smaltire elettrodomestici elettrici ed elettronici o batterie insieme ai rifiuti domestici!

In conformità alla direttiva europea sui rifiuti di apparecchiature elettriche ed elettroniche (RAEE), sugli accumulatori e le batterie, nonché sui rifiuti di accumulatori e batterie, e al suo adattamento alle normative nazionali, i rifiuti di apparecchiature elettriche ed elettroniche, batterie e accumulatori vanno conservati separatamente e conferiti a un punto di raccolta separato per i rifiuti comunali, operando in conformità alle normative per la protezione dell'ambiente.

Tale requisito viene indicato mediante il simbolo del bidone della spazzatura con ruote barrato apposto sull'apparecchio.

Utilizzo previsto

Questo utensile è progettato per miscelare materiali per pareti, e così via (eccettuati materiali infiammabili).

Rumore

Livello tipico di rumore pesato A determinato in base allo standard EN62841-2-10:

Modello UT001G

Livello di pressione sonora (L_{pA}) : 81 dB (A)

Livello di potenza sonora (L_{WA}) : 92 dB (A)

Incertezza (K): 3 dB (A)

Modello UT002G

Livello di pressione sonora (L_{pA}) : 81 dB (A)

Livello di potenza sonora (L_{WA}) : 92 dB (A)

Incertezza (K): 3 dB (A)

NOTA: Il valore o i valori dichiarati delle emissioni di rumori sono stati misurati in conformità a un metodo standard di verifica, e possono essere utilizzati per confrontare un utensile con un altro.

NOTA: Il valore o i valori dichiarati delle emissioni di rumori possono venire utilizzati anche per una valutazione preliminare dell'esposizione.

AVVERTIMENTO: Indossare protezioni per le orecchie.

AVVERTIMENTO: L'emissione di rumori durante l'utilizzo effettivo dell'utensile elettrico può variare rispetto al valore o ai valori dichiarati, a seconda dei modi in cui viene utilizzato l'utensile e specialmente a seconda di che tipo di pezzo venga lavorato.

AVVERTIMENTO: Accertarsi di identificare misure di sicurezza per la protezione dell'operatore che siano basate su una stima dell'esposizione nelle condizioni effettive di utilizzo (tenendo conto di tutte le parti del ciclo operativo, ad esempio del numero di spegnimenti dell'utensile e di quando giri a vuoto, oltre al tempo di attivazione).

Vibrazioni

Valore totale delle vibrazioni (somma vettoriale triassiale) determinato in base allo standard EN62841-2-10:

Modello UT001G

Modalità di lavoro: funzionamento a vuoto

Emissione di vibrazioni (a_h) : 2,5 m/s² o inferiore

Incertezza (K): 1,5 m/s²

Modello UT002G

Modalità di lavoro: funzionamento a vuoto

Emissione di vibrazioni (a_h) : 2,5 m/s² o inferiore

Incertezza (K): 1,5 m/s²

NOTA: Il valore o i valori complessivi delle vibrazioni dichiarati sono stati misurati in conformità a un metodo standard di verifica, e possono essere utilizzati per confrontare un utensile con un altro.

NOTA: Il valore o i valori complessivi delle vibrazioni dichiarati possono venire utilizzati anche per una valutazione preliminare dell'esposizione.

AVVERTIMENTO: L'emissione delle vibrazioni durante l'utilizzo effettivo dell'utensile elettrico può variare rispetto al valore o ai valori dichiarati, a seconda dei modi in cui viene utilizzato l'utensile, specialmente a seconda di che tipo di pezzo venga lavorato.

AVVERTIMENTO: Accertarsi di identificare misure di sicurezza per la protezione dell'operatore che siano basate su una stima dell'esposizione nelle condizioni effettive di utilizzo (tenendo conto di tutte le parti del ciclo operativo, ad esempio del numero di spegnimenti dell'utensile e di quando giri a vuoto, oltre al tempo di attivazione).

Dichiarazione di conformità CE

Solo per i paesi europei

La dichiarazione di conformità CE è inclusa nell'Allegato A al presente manuale di istruzioni.

AVVERTENZE DI SICUREZZA

Avvertenze generali relative alla sicurezza dell'utensile elettrico

AVVERTIMENTO: Leggere tutte le avvertenze di sicurezza, le istruzioni, le illustrazioni e i dati tecnici forniti con il presente utensile elettrico. La mancata osservanza di tutte le istruzioni elencate di seguito potrebbe risultare in scosse elettriche, incendi e/o gravi lesioni personali.

Conservare tutte le avvertenze e le istruzioni come riferimento futuro.

Il termine "utensile elettrico" nelle avvertenze si riferisce sia all'utensile elettrico (cablato) nel funzionamento alimentato da rete elettrica che all'utensile elettrico (a batteria) nel funzionamento alimentato a batteria.

Avvertenze di sicurezza relative al miscelatore a batteria

1. **Mantenere l'utensile con entrambe le mani sulle apposite maniglie.** La perdita di controllo può causare lesioni personali.
2. **Assicurare una ventilazione sufficiente durante la miscelazione di materiali infiammabili, per evitare un'atmosfera pericolosa.** I vapori sviluppati potrebbero venire inalati o incendiati dalle scintille prodotte dall'utensile elettrico.
3. **Non miscelare alimenti.** Gli utensili elettrici e i relativi accessori non sono progettati per la lavorazione di alimenti.

4. **Accertarsi che il contenitore di miscelazione sia collocato in una posizione stabile e fissata.** Un contenitore che non sia fissato correttamente potrebbe spostarsi improvvisamente.
5. **Attenersi alle istruzioni e alle avvertenze relative al materiale da miscelare.** Il materiale da miscelare potrebbe essere pericoloso.
6. **Non infilare le mani nel contenitore di miscelazione né inserire alcun oggetto nel contenitore durante la miscelazione.** Il contatto con la frusta di miscelazione potrebbe portare a gravi lesioni personali.
7. **Avviare e far rallentare fino all'arresto l'utensile solo nel contenitore di miscelazione.** In caso contrario, la frusta di miscelazione potrebbe piegarsi o girare in modo incontrollato.
8. **Accertarsi che nessun liquido schizzi contro il corpo dell'utensile elettrico.** Un liquido che penetri nell'utensile elettrico può causare danni all'utensile.
9. **Utilizzare le maniglie ausiliarie, se in dotazione con l'utensile.** La perdita di controllo potrebbe causare lesioni personali.
10. **Mantenere l'utensile elettrico mediante le superfici di impugnatura isolate, quando si intende eseguire un'operazione in cui l'accessorio da taglio potrebbe entrare in contatto con fili elettrici nascosti.** Un accessorio da taglio che entri in contatto con un filo elettrico sotto tensione potrebbe mettere sotto tensione le parti metalliche esposte dell'utensile elettrico e causare una scossa elettrica all'operatore.
11. **Accertarsi sempre di avere un appoggio saldo sui piedi. Accertarsi che non sia presente alcuna persona sotto di sé quando si intende utilizzare l'utensile in ubicazioni elevate.**
12. **Mantenere saldamente l'utensile.**
13. **Tenere le mani lontane dalle parti rotanti.**
14. **Non lasciare l'utensile mentre è in funzione. Far funzionare l'utensile solo mentre lo si mantiene con le mani.**
15. **Alcuni materiali contengono sostanze chimiche potenzialmente tossiche. Fare attenzione a evitare l'inalazione delle polveri e il contatto con la pelle. Attenersi alle avvertenze di sicurezza del fornitore del materiale.**
16. **Quando si intende eseguire l'operazione di miscelazione, posizionare il contenitore di miscelazione su una superficie piana e stabile.**

CONSERVARE LE PRESENTI ISTRUZIONI.

⚠AVVERTIMENTO: NON lasciare che comedità o la familiarità d'utilizzo con il prodotto (acquisita con l'uso ripetuto) sostituisca la stretta osservanza delle norme di sicurezza per il prodotto in questione. L'USO IMPROPRIO o la mancata osservanza delle norme di sicurezza indicate nel presente manuale di istruzioni potrebbero causare gravi lesioni personali.

Istruzioni di sicurezza importanti per la cartuccia della batteria

1. **Prima di utilizzare la cartuccia della batteria, leggere tutte le istruzioni e le avvertenze riportate (1) sul caricabatteria, (2) sulla batteria e (3) sul prodotto che utilizza la batteria.**
 2. **Non smantellare né manomettere la cartuccia della batteria.** In caso contrario, si potrebbe causare un incendio, calore eccessivo o un'esplosione.
 3. **Qualora il tempo di utilizzo si riduca eccessivamente, interrompere immediatamente l'utilizzo dell'utensile.** In caso contrario, si può incorrere nel rischio di surriscaldamento, possibili ustioni e persino un'esplosione.
 4. **Qualora l'elettrolita entri in contatto con gli occhi, sciacquarli con acqua pulita e richiedere immediatamente assistenza medica.** Questa eventualità può risultare nella perdita della vista.
 5. **Non cortocircuitare la cartuccia della batteria:**
 - (1) **Non toccare i terminali con alcun materiale conduttivo.**
 - (2) **Evitare di conservare la cartuccia della batteria in un contenitore insieme ad altri oggetti metallici quali chiodi, monete, e così via.**
 - (3) **Non esporre la cartuccia della batteria all'acqua o alla pioggia.**
- Un cortocircuito della batteria può causare un grande flusso di corrente, un surriscaldamento, possibili ustioni e persino un guasto.
6. **Non conservare e utilizzare l'utensile e la cartuccia della batteria in ubicazioni in cui la temperatura possa raggiungere o superare i 50 °C.**
 7. **Non incenerire la cartuccia della batteria anche qualora sia gravemente danneggiata o completamente esaurita. La cartuccia della batteria può esplodere se a contatto con il fuoco.**
 8. **Non inchiodare, tagliare, schiacciare, lanciare o far cadere la cartuccia della batteria, né farla urtare con forza contro un oggetto duro.** Questi comportamenti potrebbero risultare in un incendio, calore eccessivo o un'esplosione.
 9. **Non utilizzare una batteria danneggiata.**
 10. **Le batterie a ioni di litio contenute sono soggette ai requisiti del regolamento sul trasporto di merci pericolose (Dangerous Goods Legislation).** Per trasporti commerciali, ad esempio da parte di terzi o spedizionieri, è necessario osservare dei requisiti speciali sull'imballaggio e sull'etichetta. Per la preparazione dell'articolo da spedire, è richiesta la consulenza di un esperto in materiali pericolosi. Attenersi anche alle normative nazionali, che potrebbero essere più dettagliate. Nastare o coprire i contatti aperti e imballare la batteria in modo tale che non si possa muovere liberamente all'interno dell'imballaggio.
 11. **Quando si intende smaltire la cartuccia della batteria, rimuoverla dall'utensile e smaltirla in un luogo sicuro. Attenersi alle normative locali relative allo smaltimento della batteria.**

12. **Utilizzare le batterie esclusivamente con i prodotti specificati da Makita.** L'installazione delle batterie in prodotti non compatibili potrebbe risultare in incendi, calore eccessivo, esplosioni o perdite di liquido elettrolitico.
13. **Se l'utensile non viene utilizzato per un periodo di tempo prolungato, la batteria deve essere rimossa dall'utensile.**
14. **Durante e dopo l'uso, la cartuccia della batteria potrebbe assorbire calore, che può causare ustioni o ustioni a bassa temperatura. Fare attenzione a come si maneggiano le cartucce delle batterie estremamente calde.**
15. **Non toccare i terminali dell'utensile subito dopo l'uso, in quanto potrebbero diventare estremamente caldi al punto da causare ustioni.**
16. **Evitare di far incastrare schegge, polveri o terreno nei terminali, nei fori e nelle scanalature della cartuccia della batteria.** In caso contrario, l'utensile o la cartuccia della batteria potrebbero riscaldarsi, prendere fuoco, scoppiare o guastarsi, causando ustioni o lesioni personali.
17. **A meno che l'utensile supporti l'uso in prossimità di linee elettriche ad alta tensione, non utilizzare la cartuccia della batteria in prossimità di linee elettriche ad alta tensione.** In caso contrario, si potrebbe causare un malfunzionamento o la rottura dell'utensile o della cartuccia della batteria.
18. **Tenere la batteria lontana dai bambini.**

CONSERVARE LE PRESENTI ISTRUZIONI.

⚠ATTENZIONE: Utilizzare solo batterie originali Makita. L'utilizzo di batterie Makita non originali, o di batterie che siano state alterate, potrebbe risultare nello scoppio della batteria, causando incendi, lesioni personali e danni. Inoltre, ciò potrebbe invalidare la garanzia Makita per l'utensile e il caricabatterie Makita.

Suggerimenti per preservare la durata massima della batteria

1. **Caricare la cartuccia della batteria prima che si scarichi completamente.** Smettere sempre di utilizzare l'utensile e caricare la cartuccia della batteria quando si nota che la potenza dell'utensile è diminuita.
2. **Non ricaricare mai una cartuccia della batteria completamente carica.** La sovraccarica riduce la vita utile della batteria.
3. **Caricare la cartuccia della batteria a una temperatura ambiente compresa tra 10 °C e 40 °C.** Lasciar raffreddare una cartuccia della batteria prima di caricarla.
4. **Quando non si utilizza la cartuccia della batteria, rimuoverla dall'utensile o dal caricabatterie.**
5. **Caricare la cartuccia della batteria se non la si è utilizzata per un periodo di tempo prolungato (più di sei mesi).**

DESCRIZIONE DELLE PARTI

Modello UT001G

► Fig.1

1	Interruttore a grilletto	2	Pulsante di sblocco
3	Pulsante di blocco	4	Selettore di regolazione della velocità
5	Manopola di modifica della velocità	6	Coperchio della batteria
7	Maniglia	8	Supporto dell'albero
9	Albero	10	Frusta di miscelazione

Modello UT002G

► Fig.2

1	Interruttore a grilletto	2	Pulsante di sblocco
3	Pulsante di blocco	4	Selettore di regolazione della velocità
5	Manopola di modifica della velocità	6	Coperchio della batteria
7	Maniglia	8	Mandrino

PREPARAZIONE PRIMA DELL'USO

Indicazione della carica residua della batteria

Premere il pulsante di controllo sulla cartuccia della batteria per indicare la carica residua della batteria. Gli indicatori luminosi si illuminano per alcuni secondi.

► Fig.3: 1. Indicatori luminosi 2. Pulsante di controllo

Indicatori luminosi			Carica residua
1	2	3	
■	□	▧	
illuminato	Spento	Lampeggiante	
■ ■ ■ ■			Dal 75% al 100%
■ ■ ■ □			Dal 50% al 75%
■ ■ □ □			Dal 25% al 50%
■ □ □ □			Dallo 0% al 25%
▧ □ □ □			Caricare la batteria.
■ ■ □ □			La batteria potrebbe essersi guastata.
□ □ ■ ■			

NOTA: A seconda delle condizioni d'uso e della temperatura ambiente, l'indicazione potrebbe variare leggermente rispetto alla carica effettiva.

NOTA: Il primo indicatore luminoso (all'estremità sinistra) lampeggia quando il sistema di protezione della batteria è in funzione.

Considerazioni da tenere presenti prima dell'uso

Quando si utilizza o si trasporta l'utensile, afferrarlo per la maniglia.

► Fig.4

⚠ATTENZIONE: Non afferrare la parte in lamierino. Le aree affilate potrebbero causare lesioni personali.

Sistema di protezione strumento/batteria

L'utensile è dotato di un sistema di protezione dell'utensile stesso e della batteria. Tale sistema interrompe automaticamente l'alimentazione al motore per prolungare la vita utile dell'utensile e della batteria. L'utensile si arresta automaticamente durante il funzionamento, qualora l'utensile o la batteria vengano a trovarsi in una delle condizioni seguenti:

Protezione dal sovraccarico

Quando l'utensile o la batteria vengono utilizzati in un modo che causi un assorbimento di energia elevato in modo anomalo, l'utensile si arresta automaticamente. In questa situazione, spegnere l'utensile e interrompere l'applicazione che ne ha causato il sovraccarico. Quindi, accendere l'utensile per ricominciare.

Protezione dal surriscaldamento

Quando l'utensile o la batteria sono surriscaldati, l'utensile si arresta automaticamente. In questa situazione, lasciar raffreddare l'utensile o la batteria prima di riaccendere l'utensile.

Protezione dalla sovrascarica

Quando la carica della batteria diventa bassa, l'utensile si arresta automaticamente. Qualora il prodotto non funzioni anche quando si attivano gli interruttori, rimuovere le batterie dall'utensile e caricarle.

UTILIZZO

⚠ATTENZIONE: Accertarsi sempre che l'utensile sia spento e che la cartuccia della batteria sia stata rimossa, prima di effettuare qualsiasi intervento sull'utensile.

AVVISO: Quando non si intende lavorare, appoggiare al suolo la macchina e riparla.

► Fig.5

Montaggio

Installazione dell'albero

Accessorio opzionale

Per il modello UT001G

1. Serrare l'albero nel supporto dell'albero.

► Fig.6: 1. Albero 2. Supporto dell'albero

2. Tenere ferme le parti piatte sul supporto dell'albero con la chiave 19, affinché il supporto dell'albero non possa girare. Mentre si tiene ferma la parte piatta in tal modo, serrare il dado esagonale con un'altra chiave 19 nella direzione indicata dalla freccia.

► Fig.7: 1. Albero 2. Supporto dell'albero

Per il modello UT002G

1. Inserire fino in fondo l'albero nel mandrino.

► Fig.8: 1. Albero 2. Mandrino

2. Serrare il mandrino con la mano, quindi inserire la chiave del mandrino in ciascuno dei tre fori e serrarla in senso orario. Accertarsi di serrare la chiave del mandrino in tutti e tre i fori in modo omogeneo.

► Fig.9: 1. Chiave del mandrino 2. Mandrino

3. Per rimuovere l'albero, ruotare la chiave del mandrino in senso antiorario in uno dei fori, quindi allentare il mandrino con la mano.

4. Quando non si utilizza la chiave del mandrino, riparla come mostrato nella figura per evitarla di perderla.

► Fig.10: 1. Chiave del mandrino

Installazione della frusta di miscelazione

Accessorio opzionale

Inserire la frusta di miscelazione nell'albero e fissarla con il bullone esagonale. In questa fase, posizionarla in modo che l'estremità superiore del bullone esagonale entri sempre nella superficie piatta sull'albero, e serrare il bullone esagonale con la chiave in dotazione.

► Fig.11: 1. Bullone esagonale 2. Albero 3. Superficie piatta 4. Frusta di miscelazione

Quando si intende installare le fruste di miscelazione in due posizioni diverse, montare e fissare le due fruste di miscelazione sulla parte piatta dell'albero con i bulloni esagonali in modo che le superfici identiche delle fruste di miscelazione siano rivolte l'una verso l'altra, come indicato nella figura.

► Fig.12: 1. Bullone esagonale 2. Albero 3. Superficie piatta 4. Frusta di miscelazione

NOTA: Per informazioni relative a quali fruste di miscelazione siano consentite, rivolgersi al proprio centro di assistenza Makita locale.

Installazione o rimozione della cartuccia della batteria

⚠ATTENZIONE: Spegnerne sempre l'utensile prima di installare o rimuovere la cartuccia della batteria.

⚠ATTENZIONE: Mantenere saldamente lo strumento e la batteria quando si intende installare o rimuovere la cartuccia della batteria. Qualora non si mantengono saldamente lo strumento e la cartuccia della batteria, questi ultimi potrebbero scivolare dalle mani, con la possibilità di causare un danneggiamento dello strumento e della cartuccia della batteria, nonché una lesione personale.

⚠ATTENZIONE: Non utilizzare questo utensile con l'adattatore per batterie. Qualora si colleghi l'adattatore per batterie all'utensile, non è possibile chiudere il coperchio della batteria, e l'utilizzo dell'utensile con il coperchio della batteria aperto potrebbe causare lesioni personali.

⚠ATTENZIONE: Fare attenzione a non far restare incastrate le dita durante l'apertura o la chiusura del coperchio della batteria.

AVVISO: Installare un coperchio della batteria che coincida con la dimensione della batteria.

Aprire il coperchio della batteria mentre si tiene premuto il pulsante sul coperchio della batteria.

► **Fig.13:** 1. Pulsante 2. Coperchio della batteria

Per rimuovere la cartuccia della batteria, farla scorrere via dall'utensile mentre si fa scorrere allo stesso tempo il pulsante sulla parte anteriore della cartuccia.

► **Fig.14:** 1. Indicatore rosso 2. Pulsante 3. Cartuccia della batteria

Per installare la cartuccia della batteria, allineare la linguetta sulla cartuccia della batteria con la scanalatura nell'alloggiamento e farla scivolare in sede. Inserirli completamente fino al suo blocco in sede con un leggero scatto. Se è possibile vedere l'indicatore rosso, come indicato nella figura, non è bloccata completamente.

Dopo aver installato la cartuccia della batteria, chiudere saldamente il coperchio della batteria.

⚠ATTENZIONE: Installare sempre fino in fondo la cartuccia della batteria, fino a quando l'indicatore rosso non è più visibile. In caso contrario, la batteria potrebbe cadere accidentalmente dall'utensile, causando lesioni personali all'operatore o a chi gli è vicino.

⚠ATTENZIONE: Non installare forzatamente la cartuccia della batteria. Qualora la batteria non si inserisca scorrendo agevolmente, vuol dire che non viene inserita correttamente.

Funzionamento dell'interruttore

⚠AVVERTIMENTO: Prima di inserire la cartuccia della batteria nell'utensile, accertarsi sempre che l'interruttore a grilletto funzioni correttamente e torni sulla posizione "OFF" premendolo a fondo e rilasciandolo.

⚠AVVERTIMENTO: Non rendere MAI inefficace il pulsante di sblocco fissandolo con del nastro adesivo o in altri modi. Un interruttore con un pulsante di sblocco escluso potrebbe causare il funzionamento accidentale e gravi lesioni personali.

⚠AVVERTIMENTO: Non utilizzare MAI l'utensile qualora quest'ultimo si avvii semplicemente premendo l'interruttore a grilletto senza premere il pulsante di sblocco. Un interruttore da riparare potrebbe causare un funzionamento accidentale e gravi lesioni personali. Portare l'utensile a un centro di assistenza Makita per le riparazioni necessarie PRIMA di un ulteriore utilizzo.

⚠AVVERTIMENTO: Non installare la cartuccia della batteria con il pulsante di blocco attivato.

Per evitare di premere accidentalmente l'interruttore a grilletto, è fornito un pulsante di sblocco. Per avviare l'utensile, premere il pulsante di sblocco, quindi premere l'interruttore a grilletto. La velocità dell'utensile aumenta di pari passo con l'incremento della pressione sull'interruttore a grilletto. Per arrestarlo, rilasciare l'interruttore a grilletto.

Per il funzionamento continuo, far rientrare il pulsante di blocco premendolo mentre si tiene premuto l'interruttore a grilletto, quindi rilasciare l'interruttore a grilletto. Per arrestare l'utensile, premere a fondo l'interruttore a grilletto, quindi rilasciarlo.

► **Fig.15:** 1. Interruttore a grilletto 2. Pulsante di sblocco 3. Pulsante di blocco

Funzionamento della manopola di modifica della velocità

AVVISO: Utilizzare la manopola di modifica della velocità solo dopo che l'utensile si è arrestato completamente. La modifica della modalità di velocità dell'utensile prima che quest'ultimo si arresti potrebbe danneggiare l'utensile.

AVVISO: Impostare sempre la manopola di modifica della velocità con precisione sulla posizione corretta. Qualora si utilizzi l'utensile con la manopola di modifica della velocità su una posizione intermedia tra la posizione 1 e la posizione 2, l'utensile potrebbe venire danneggiato.

AVVISO: Qualora la velocità di rotazione si riduca notevolmente durante il funzionamento in modalità ad alta velocità, arrestare l'utensile e cambiare la modalità su quella a bassa velocità. In caso contrario, il motore potrebbe sovraccaricarsi e causare un malfunzionamento o un incendio.

È possibile preselezionare due gamme di velocità con la manopola di modifica della velocità.

Selezionare la modalità di velocità appropriata per il materiale da miscelare.

Per cambiare la modalità di velocità, ruotare la manopola di modifica della velocità in modo che la freccia punti verso il puntino nella posizione 1 per la modalità a bassa velocità, oppure verso il puntino nella posizione 2 per la modalità ad alta velocità.

► **Fig.16:** 1. Indicatore 2. Manopola di modifica della velocità 3. Puntino

Funzionamento del selettore di regolazione della velocità

È possibile regolare la velocità dell'utensile in modo continuo ruotando il selettore di regolazione della velocità. È possibile regolare la velocità a vuoto quando si preme a fondo l'interruttore a grilletto da 270 min⁻¹ a 500 min⁻¹ in modalità a bassa velocità, e da 500 min⁻¹ a 920 min⁻¹ in modalità ad alta velocità. La velocità più elevata si ottiene quando il selettore viene ruotato verso il numero 5, mentre la velocità più bassa si ottiene quando viene ruotato verso il numero 1. Selezionare la velocità appropriata per il materiale da miscelare.

► Fig.17: 1. Selettore di regolazione della velocità

AVVISO: È possibile ruotare il selettore di regolazione della velocità solo fino a 5 e indietro fino a 1. Non forzarlo oltre 5 o 1.

Funzione di prevenzione del riavvio accidentale

Se si installa la cartuccia della batteria mentre si tiene premuto o bloccato l'interruttore a grilletto, l'utensile non si avvia. Per avviare l'utensile, rilasciare l'interruttore a grilletto, quindi premere l'interruttore a grilletto.

Funzione elettronica

L'utensile è dotato della funzione elettronica seguente, per un facile utilizzo.

Avvio morbido

La funzione di avvio morbido riduce al minimo l'impatto all'avvio, e fa avviare delicatamente l'utensile.

Funzionamento di base

⚠ATTENZIONE: Non miscelare materiali infiammabili né far funzionare l'utensile in prossimità di materiali infiammabili, quali vernice con diluente utilizzato come solvente. In caso contrario, si potrebbero causare lesioni personali.

⚠ATTENZIONE: Non miscelare materiali ad elevata viscosità nella modalità ad alta velocità. In caso contrario, si potrebbe perdere il controllo dell'utensile e causare lesioni personali.

⚠ATTENZIONE: Non far girare la frusta di miscelazione al di fuori del contenitore di miscelazione.

⚠ATTENZIONE: Qualora si senta un rumore anomalo durante l'uso, disattivare l'interruttore e arrestare l'utilizzo dell'utensile.

AVVISO: Quando si mescola il materiale mentre la frusta di miscelazione sta galleggiando fuori dal materiale, fare attenzione a non far schizzare il materiale.

AVVISO: Non utilizzare l'utensile per scopi diversi dal mescolare malta, calcestruzzo, e così via.

1. Selezionare la modalità ad alta velocità o la modalità a bassa velocità in base al materiale da miscelare.
2. Mantenere saldamente l'utensile con entrambe le mani. Posizionare la frusta di miscelazione completamente sotto il materiale. Verificare che il materiale non si sia solidificato e la sicurezza della sede di lavoro, quindi accendere l'utensile.
3. Muovere la frusta di miscelazione verso l'alto e verso il basso durante l'operazione di miscelazione, in modo che tutto il materiale venga miscelato.
4. Al termine della miscelazione, spegnere l'utensile. Accertarsi che la frusta di miscelazione si sia arrestata completamente, quindi estrarla dal contenitore di miscelazione.

Operazioni applicate

⚠ATTENZIONE: Accertarsi sempre che l'utensile sia spento e che la cartuccia della batteria sia stata rimossa prima di regolare o di controllare il funzionamento dell'utensile.

Sostituzione del coperchio della batteria

Accessorio opzionale

Installare uno dei coperchi della batteria per adattarlo alle dimensioni della cartuccia della batteria utilizzata.

► Fig.18: 1. Coperchio della batteria S 2. Coperchio della batteria L 3. Pulsante

1. Aprire il coperchio della batteria installato di serie mentre si tiene premuto il pulsante sul coperchio della batteria.
2. Allentare la vite che fissa il coperchio della batteria installato di serie. Quindi, rimuovere la vite, il manicotto e il coperchio della batteria.

► Fig.19: 1. Vite 2. Manicotto 3. Coperchio della batteria (installato di serie)

NOTA: Il manicotto potrebbe restare nei fori di montaggio. In tal caso, estrarlo utilizzando una vite o un oggetto simile.

3. Allineare il foro di montaggio sul coperchio della batteria opzionale con i fori di montaggio sull'alloggiamento. Inserire il manicotto. Quindi, serrare le viti per fissarlo in sede.

► Fig.20: 1. Vite 2. Manicotto 3. Coperchio della batteria (opzionale)

4. Chiudere saldamente il coperchio della batteria.

Installazione o rimozione del supporto dell'albero

specifico in base alla nazione

Per il modello UT001G

Installare uno dei supporti dell'albero opzionali disponibili per adattarlo alla dimensione della vite dell'albero utilizzato.

► Fig.21: 1. Supporto dell'albero M12 2. Supporto dell'albero M14

Mentre si tiene fermo l'alberino con una chiave, allentare il supporto dell'albero con un'altra chiave.

► Fig.22: 1. Supporto dell'albero 2. Chiave 3. Alberino

Per installare il supporto dell'albero, eseguire la procedura di rimozione al contrario.

Per il modello UT002G

1. Inserire la brugola nel mandrino, quindi allentare il mandrino con la brugola mentre si tiene fermo l'alberino con la chiave.

► **Fig.23:** 1. Brugola 2. Mandrino 3. Chiave 4. Alberino

2. Serrare il supporto dell'albero con una chiave mentre si tiene fermo l'alberino con un'altra chiave.

► **Fig.24:** 1. Supporto dell'albero 2. Chiave 3. Alberino

Manutenzione dopo l'uso

Utilizzare un panno bagnato o qualcosa di simile per rimuovere con cura eventuali residui del materiale rimasti sull'utensile dopo l'uso. Pulire a fondo con la massima attenzione le aperture di ventilazione, l'area dell'interruttore, le aperture del coperchio, e così via.

AVVISO: Evitare di pulire l'utensile in acqua.

L'acqua penetrerebbe nell'alloggiamento del motore e ne causerebbe il guasto.

MANUTENZIONE

ATTENZIONE: Accertarsi sempre che l'utensile sia spento e che la cartuccia della batteria sia stata rimossa prima di tentare di eseguire interventi di ispezione o manutenzione.

AVVISO: Non utilizzare mai benzina, benzene, solventi, alcol o altre sostanze simili. In caso contrario, si potrebbero causare scolorimenti, deformazioni o crepe.

Per preservare la SICUREZZA e l'AFFIDABILITÀ del prodotto, le riparazioni e qualsiasi altro intervento di manutenzione o di regolazione devono essere eseguiti da centri di assistenza autorizzati Makita, utilizzando sempre ricambi Makita.

Risoluzione dei problemi

Prima di richiedere riparazioni, controllare i punti seguenti.

1. Spegnerne l'utensile, quindi riaccenderlo per ricominciare.
2. Caricare la batteria o le batterie, o sostituirla/sostituirla con una batteria o delle batterie ricaricate.
3. Lasciar raffreddare l'utensile e la batteria o le batterie.

Qualora non si riscontri alcun miglioramento ripristinando il sistema di protezione, contattare il proprio centro di assistenza locale Makita.

ACCESSORI OPZIONALI

ATTENZIONE: Questi accessori o componenti aggiuntivi sono consigliati per l'uso con l'utensile Makita specificato nel presente manuale.

L'impiego di altri accessori o componenti aggiuntivi può costituire un rischio di lesioni alle persone.

Utilizzare gli accessori o i componenti aggiuntivi solo per il loro scopo prefissato.

Per ottenere ulteriori dettagli relativamente a questi accessori, rivolgersi a un centro di assistenza Makita.

- Frusta di miscelazione
- Albero
- Coperchio della batteria
- Batteria e caricabatterie originali Makita

NOTA: Alcuni articoli nell'elenco potrebbero essere inclusi nell'imballaggio dell'utensile come accessori standard. Tali articoli potrebbero variare da nazione a nazione.

TECHNISCHE GEGEVENS

Model:		UT001G	UT002G
Nullasttoerental	Hoog-toerentalfunctie	0 - 920 min ⁻¹	
	Laag-toerentalfunctie	0 - 500 min ⁻¹	
Maximale diameter mengblad		240 mm	
Totale lengte (zonder as en mengblad)	met accudeksel S	373 mm	363 mm
	met accudeksel L	412 mm	403 mm
Nominale spanning		Max. 36 V - 40 V gelijkspanning	
Nettogewicht		5,7 - 7,0 kg	5,8 - 7,2 kg

- In verband met ononderbroken research en ontwikkeling, behouden wij ons het recht voor de bovenstaande technische gegevens zonder voorafgaande kennisgeving te wijzigen.
- De technische gegevens van de accu kunnen van land tot land verschillen.
- Het gewicht kan verschillen afhankelijk van de hulpstukken, waaronder de accu. De lichtste en zwaarste combinatie, overeenkomstig de EPTA-procedure 01/2014, worden getoond in de tabel.

Toepasselijke accu's en laders




Accu	BL4020 / BL4025 / BL4040* / BL4050F* / BL4080F* * : Aanbevolen accu
Lader	DC40RA / DC40RB / DC40RC

- Sommige van de hierboven vermelde accu's en laders zijn mogelijk niet leverbaar afhankelijk van waar u woont.

⚠ WAARSCHUWING: Gebruik uitsluitend de accu's en laders die hierboven worden genoemd. Gebruik van enige andere accu of lader kan leiden tot letsel en/of brand.

Symbolen

Hieronder staan de symbolen die voor het gereedschap kunnen worden gebruikt. Zorg ervoor dat u de betekenis ervan kent voordat u het gereedschap gaat gebruiken.

	Lees de gebruiksaanwijzing.
	Gebruik het gereedschap niet in de regen.
	Reinig het gereedschap niet met water.



Alleen voor EU-landen
Als gevolg van de aanwezigheid van schadelijke componenten in het apparaat, kunnen oude elektrische en elektronische apparaten, accu's en batterijen negatieve gevolgen hebben voor het milieu en de gezondheid van mensen.
Gooi elektrische en elektronische apparaten en accu's niet met het huisvuil weg!
In overeenstemming met de Europese richtlijn inzake oude elektrische en elektronische apparaten en inzake accu's en batterijen en oude accu's en batterijen, alsmede de toepassing daarvan binnen de nationale wetgeving, dienen oude elektrische apparaten, accu's en batterijen gescheiden te worden opgeslagen en te worden ingeleverd bij een apart inzamelingspunt voor huishoudelijk afval dat de milieubeschermingsvoorschriften in acht neemt.
Dit wordt op het apparaat aangegeven door het symbool van een doorgekruiste afvalcontainer.

Gebruiksdoeleinden

Dit gereedschap is bedoeld voor het mengen van materialen voor wandafwerking, enz. (uitgezonderd brandbare materialen).

Geluidsniveau

De typische, A-gewogen geluidsniveaus zijn gemeten volgens EN62841-2-10:

Model UT001G

Geluidsdrukniveau (L_{pA}): 81 dB (A)

Geluidsvermogeniveau (L_{WA}): 92 dB (A)

Onzekeerheid (K): 3 dB (A)

Model UT002G

Geluidsdrukniveau (L_{pA}): 81 dB (A)

Geluidsvermogeniveau (L_{WA}): 92 dB (A)

Onzekeerheid (K): 3 dB (A)

OPMERKING: De opgegeven geluidsemissiewaarde(n) is/zijn gemeten volgens een standaardtestmethode en kan/kunnen worden gebruikt om dit gereedschap te vergelijken met andere gereedschappen.

OPMERKING: De opgegeven geluidsemissiewaarde(n) kan/kunnen ook worden gebruikt voor een beoordeling vooraf van de blootstelling.

⚠WAARSCHUWING: Draag gehoorbescherming.

⚠WAARSCHUWING: De geluidsemissie tijdens het gebruik van het elektrisch gereedschap in de praktijk kan verschillen van de opgegeven waarde(n) afhankelijk van de manier waarop het gereedschap wordt gebruikt, met name van het soort werkstuk waarmee wordt gewerkt.

⚠WAARSCHUWING: Zorg ervoor dat veiligheidsmaatregelen worden getroffen ter bescherming van de gebruiker die zijn gebaseerd op een schatting van de blootstelling onder praktijkomstandigheden (rekening houdend met alle fasen van de bedrijfscyclus, zoals de tijdsduur gedurende welke het gereedschap is uitgeschakeld en stationair draait, naast de ingeschakelde tijdsduur).

Trilling

De totale trillingswaarde (triaxiale vectorsom) zoals vastgesteld volgens EN62841-2-10:

Model UT001G

Gebruikstoepassing: onbelaste werking

Trillingsemissie (a_h): $2,5 \text{ m/s}^2$ of lager

Onzekeerheid (K): $1,5 \text{ m/s}^2$

Model UT002G

Gebruikstoepassing: onbelaste werking

Trillingsemissie (a_h): $2,5 \text{ m/s}^2$ of lager

Onzekeerheid (K): $1,5 \text{ m/s}^2$

OPMERKING: De totale trillingswaarde(n) is/zijn gemeten volgens een standaardtestmethode en kan/kunnen worden gebruikt om dit gereedschap te vergelijken met andere gereedschappen.

OPMERKING: De opgegeven totale trillingswaarde(n) kan/kunnen ook worden gebruikt voor een beoordeling vooraf van de blootstelling.

⚠WAARSCHUWING: De trillingsemissie tijdens het gebruik van het elektrisch gereedschap in de praktijk kan verschillen van de opgegeven waarde(n) afhankelijk van de manier waarop het gereedschap wordt gebruikt, met name van het soort werkstuk waarmee wordt gewerkt.

⚠WAARSCHUWING: Zorg ervoor dat veiligheidsmaatregelen worden getroffen ter bescherming van de gebruiker die zijn gebaseerd op een schatting van de blootstelling onder praktijkomstandigheden (rekening houdend met alle fasen van de bedrijfscyclus, zoals de tijdsduur gedurende welke het gereedschap is uitgeschakeld en stationair draait, naast de ingeschakelde tijdsduur).

EG-verklaring van conformiteit

Alleen voor Europese landen

De EG-verklaring van conformiteit is bijgevoegd als Bijlage A bij deze gebruiksaanwijzing.

VEILIGHEIDSWAARSCHUWINGEN

Algemene veiligheidswaarschuwingen voor elektrisch gereedschap

⚠WAARSCHUWING: Lees alle veiligheidswaarschuwingen, aanwijzingen, afbeeldingen en technische gegevens behorend bij dit elektrische gereedschap aandachtig door. Als u niet alle onderstaande aanwijzingen naleeft, kan dat resulteren in brand, elektrische schokken en/of ernstig letsel.

Bewaar alle waarschuwingen en instructies om in de toekomst te kunnen raadplegen.

De term "elektrisch gereedschap" in de veiligheidsvoorwaarden duidt op gereedschappen die op stroom van het lichtnet werken (met snoer) of gereedschappen met een accu (snoerloos).

Veiligheidswaarschuwingen voor een accumenger

1. **Houd het gereedschap met beide handen vast aan de daarvoor bedoelde handvaten.** Als u de controle over het gereedschap verliest, kan dit leiden tot persoonlijk letsel.
2. **Zorg voor voldoende ventilatie wanneer u brandbare materialen mengt om te voorkomen dat een gevaarlijke omgeving ontstaat.** De gevormde dampen kunnen worden ingeademd of worden ontstoken door de vonken die het elektrisch gereedschap genereert.

3. **Meng geen etenswaren.** Elektrisch gereedschap en hun accessoires zijn niet ontworpen om etenswaren te verwerken.
4. **Verzeker u ervan dat de mengbak op een stevige en veilige plaats staat.** Een bak die niet stevig staat, kan onverwacht verschuiven.
5. **Volg de instructies en waarschuwingen voor het materiaal dat u gaat mengen.** Het materiaal dat u gaat mengen kan schadelijk zijn.
6. **Steek tijdens het mengen niet uw handen in de mengbak en steek er geen andere voorwerpen in.** Door aanraking van het mengblad kan ernstig persoonlijk letsel ontstaan.
7. **Het gereedschap mag alleen in de mengbak worden gestart en gestopt.** Het mengblad kan ongecontroleerd buigen of ronddraaien.
8. **Zorg ervoor dat geen vloeistof tegen de behuizing van het elektrisch gereedschap spettert.** Als vloeistof binnendringt in het elektrisch gereedschap, kan het gereedschap worden beschadigd.
9. **Gebruik hulphandgrepen, indien bij het gereedschap geleverd.** Als u de controle over het gereedschap verliest, kan dit leiden tot persoonlijk letsel.
10. **Houd elektrisch gereedschap vast bij het geïsoleerde oppervlak van de handgrepen wanneer u werkt op plaatsen waar het accessoire in aanraking kan komen met verborgen bedrading.** Wanneer het accessoire in aanraking komt met onder spanning staande draden, zullen de niet-geïsoleerde metalen delen van het gereedschap onder spanning komen te staan zodat de gebruiker een elektrische schok kan krijgen.
11. **Zorg er altijd voor dat u stevig staat. Zorg ervoor dat niemand zich onder u bevindt wanneer u het gereedschap op een hoge plaats gebruikt.**
12. **Houd het gereedschap stevig vast.**
13. **Houd uw handen uit de buurt van draaiende delen.**
14. **Laat het gereedschap niet draaiend achter. Bedien het gereedschap alleen terwijl u het vasthoudt.**
15. **Sommige materialen kunnen giftige chemicaliën bevatten. Wees voorzichtig dat u geen stof inademt en het stof niet op uw huid komt. Houd u aan de veiligheids waarschuwingen van de leverancier van het materiaal.**
16. **Plaats de mengbak op een vlakke en stabiele ondergrond tijdens het mengen.**

BEWAAR DEZE INSTRUCTIES.

⚠️ WAARSCHUWING: Laat u NIET misleiden door een vals gevoel van comfort en bekendheid met het gereedschap (na veelvuldig gebruik) en neem alle veiligheidsvoorschriften van het betreffende gereedschap altijd strikt in acht. **VERKEERD GEBRUIK** of het niet naleven van de veiligheidsvoorschriften in deze gebruiksaanwijzing kan leiden tot ernstig persoonlijk letsel.

Belangrijke veiligheidsinstructies voor een accu

1. **Lees alle voorschriften en waarschuwingen op (1) de acculader, (2) de accu, en (3) het product waarvoor de accu wordt gebruikt, alvorens de accu in gebruik te nemen.**
2. **Haal de accu niet uit elkaar en saboteer hem niet.** Dit kan leiden tot brand, buitensporige hitte of een explosie.
3. **Als de gebruikstijd van een opgeladen accu aanzienlijk korter is geworden, moet u het gebruik ervan onmiddellijk stopzetten. Voortgezet gebruik kan oververhitting, brandwonden en zelfs een ontploffing veroorzaken.**
4. **Als elektrolyt in uw ogen is terechtgekomen, spoelt u uw ogen met schoon water en roept u onmiddellijk de hulp van een dokter in. Elektrolyt in de ogen kan blindheid veroorzaken.**
5. **Voorkom kortsluiting van de accu:**
 - (1) **Raak de accuklemmen nooit aan met een geleidend materiaal.**
 - (2) **Bewaar de accu niet in een bak waarin andere metalen voorwerpen zoals spijkers, munten e.d. worden bewaard.**
 - (3) **Stel de accu niet bloot aan water of regen. Kortsluiting van de accu kan oorzaak zijn van een grote stroomafgifte, oververhitting, brandwonden, en zelfs defecten.**
6. **Bewaar en gebruik het gereedschap en de accu niet op plaatsen waar de temperatuur kan oplopen tot 50 °C of hoger.**
7. **Werp de accu nooit in het vuur, ook niet wanneer hij zwaar beschadigd of volledig versleten is. De accu kan ontploffen in het vuur.**
8. **Laat de accu niet vallen, sla er geen spijker in, snijd er niet in, gooi er niet mee en stoot hem niet tegen een hard voorwerp.** Dergelijke handelingen kunnen leiden tot brand, buitensporige hitte of een explosie.
9. **Gebruik nooit een beschadigde accu.**
10. **De bijgeleverde lithium-ionbatterijen zijn onderhevig aan de vereisten in de wetgeving omtrent gevaarlijke stoffen.**

Voor commercieel transport en dergelijke door derden en transporteurs moeten speciale vereisten ten aanzien van verpakking en etikettering worden nageleefd.

Als voorbereiding van het artikel dat wordt getransporteerd is het noodzakelijk een expert op het gebied van gevaarlijke stoffen te raadplegen. Houd u tevens aan mogelijk strengere nationale regelgeving.

Blootliggende contactpunten moeten worden afgedekt met tape en de accu moet zodanig worden verpakt dat deze niet kan bewegen in de verpakking.
11. **Wanneer u de accu wilt weggooien, verwijdert u de accu vanaf het gereedschap en gooit u hem op een veilige manier weg. Volg bij het weggooien van de accu de plaatselijke voorschriften.**

12. **Gebruik de accu's uitsluitend met de gereedschappen die door Makita zijn aanbevolen.** Als de accu's worden aangebracht in niet-compatibele gereedschappen, kan dat leiden tot brand, buitensporige warmteontwikkeling, een explosie of lekkage van elektrolyt.
13. **Als u het gereedschap gedurende een lange tijd niet denkt te gaan gebruiken, moet de accu vanaf het gereedschap worden verwijderd.**
14. **Tijdens en na gebruik, kan de accu heet worden waardoor brandwonden of koude brandwonden kunnen worden veroorzaakt. Wees voorzichtig bij het hanteren van een hete accu.**
15. **Raak de aansluitpunten van het gereedschap niet onmiddellijk na gebruik aan omdat deze heet genoeg kunnen zijn om brandwonden te veroorzaken.**
16. **Zorg ervoor dat geen steenslag, stof of grond vast komt te zitten op/in de aansluitpunten, openingen en groeven van de accu.** Hierdoor kan oververhitting, brand, een barst en een storing in het gereedschap of de accu ontstaan waardoor brandwonden of persoonlijk letsel kunnen ontstaan.
17. **Behalve indien gebruik van het gereedschap is toegestaan in de buurt van hoogspanningsleidingen, mag u de accu niet gebruiken in de buurt van een hoogspanningsleiding.** Dit kan leiden tot een storing of een defect van het gereedschap of de accu.
18. **Houd de accu uit de buurt van kinderen.**

BEWAAR DEZE INSTRUCTIES.

⚠ LET OP: Gebruik uitsluitend originele Makita accu's. Het gebruik van niet-originele accu's, of accu's die zijn gewijzigd, kan ertoe leiden dat de accu ontploft en brand, persoonlijk letsel en schade veroorzaakt. Ook vervalt daarmee de garantie van Makita op het gereedschap en de lader van Makita.

Tips voor een maximale levensduur van de accu

1. **Laad de accu op voordat hij volledig ontladen is. Stop het gebruik van het gereedschap en laad de accu op telkens wanneer u vaststelt dat het vermogen van het gereedschap is afgenomen.**
2. **Laad een volledig opgeladen accu nooit opnieuw op. Te lang opladen verkort de levensduur van de accu.**
3. **Laad de accu op bij een omgevingstemperatuur tussen 10 °C en 40 °C. Laat een warme accu afkoelen alvorens hem op te laden.**
4. **Als de accu niet wordt gebruikt, verwijdert u hem vanaf het gereedschap of de lader.**
5. **Laad de accu op als u deze gedurende een lange tijd (meer dan zes maanden) niet gaat gebruiken.**

BESCHRIJVING VAN DE ONDERDELEN

Model UT001G

► Fig.1

1	Trekkerschakelaar	2	Uit-vergrendelknop
3	Vergrendelknop	4	Toerentalregelaar
5	Toerentalkeuzeknop	6	Accudeksel
7	Handgrepen	8	Ashouder
9	As	10	Mengblad

Model UT002G

► Fig.2










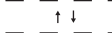
1	Trekkerschakelaar	2	Uit-vergrendelknop
3	Vergrendelknop	4	Toerentalregelaar
5	Toerentalkeuzeknop	6	Accudeksel
7	Handgrepen	8	Spankop

VOORBEREIDINGEN VOOR GEBRUIK

De resterende acculading controleren

Druk op de testknop op de accu om de resterende acculading te zien. De indicatorlampjes branden gedurende enkele seconden.

► Fig.3: 1. Indicatorlampjes 2. Testknop

Indicatorlampjes			Resterende acculading
 Brandt	 Uit	 Knippert	
			75% tot 100%
			50% tot 75%
			25% tot 50%
			0% tot 25%
			Laad de accu op.
			Er kan een storing zijn opgetreden in de accu.
			

OPMERKING: Afhankelijk van de gebruiksomstandigheden en de omgevingstemperatuur, is het mogelijk dat de aangegeven acculading verschilt van de werkelijke acculading.

OPMERKING: Het eerste (meest linker) indicatorlampje knippert wanneer het accubeveiligingssysteem in werking is getreden.

Noodzakelijke informatie vóór gebruik

Houd de handgrepen vast wanneer u het gereedschap draagt.

► Fig.4

⚠ LET OP: Houd niet het metalen deel vast. Scherpe randen kunnen letsel veroorzaken.

Gereedschap-/accubeveiligingssysteem

Het gereedschap is voorzien van een gereedschap-/accubeveiligingssysteem. Dit systeem schakelt automatisch de voeding naar de motor uit om de levensduur van het gereedschap en de accu te verlengen. Het gereedschap kan tijdens het gebruik automatisch stoppen als het gereedschap of de accu aan één van de volgende omstandigheden wordt blootgesteld:

Overbelastingsbeveiliging

Als het gereedschap/de accu wordt bediend op een manier waardoor een abnormaal hoge stroom wordt getrokken, stopt het gereedschap automatisch. Schakel in dat geval het gereedschap uit en stop het gebruik dat ertoe leidde dat het gereedschap overbelast raakte. Schakel daarna het gereedschap weer in om verder te gaan.

Oververhittingsbeveiliging

Wanneer het gereedschap/de accu oververhit is, stopt het gereedschap automatisch. Laat in deze situatie het gereedschap/de accu afkoelen voordat u het gereedschap weer inschakelt.

Beveiliging tegen te ver ontladen

Als de acculading laag is, stopt het gereedschap automatisch. Als het gereedschap niet werkt, ook niet wanneer de schakelaars worden bediend, verwijdert u de accu's vanaf het gereedschap en laadt u de accu's op.

GEBRUIKSMETHODE

⚠ LET OP: Zorg altijd dat het gereedschap is uitgeschakeld en de accu ervan is verwijderd alvorens enig werk aan het gereedschap uit te voeren.

KENNISGEVING: Wanneer u niet aan het werk bent, legt u het gereedschap neer en bergt u het op.

► Fig.5

Montage

De as aanbrengen

Optioneel accessoire

Voor UT001G

1. Draai de as vast in de ashouder.
► Fig.6: 1. As 2. Ashouder
2. Houd daarbij de platte kanten van de ashouder op hun plaats met een sleutel 19 zodat de ashouder niet kan meedraaien. Terwijl u de platte kanten op hun plaats houdt, draait u de zeskantmoer in de richting van de pijl vast met een andere sleutel 19.
► Fig.7: 1. As 2. Ashouder

Voor UT002G

1. Steek de as zo ver mogelijk in de spankop.
► Fig.8: 1. As 2. Spankop
2. Draai de spankop met de hand vast en steek daarna de spankopsleutel in elk van de drie openingen en draai hem rechtsonder vast. Zorg ervoor dat de spankopsleutel in elk van de drie openingen gelijkmatig wordt vastgedraaid.
► Fig.9: 1. Spankopsleutel 2. Spankop
3. Om de as te verwijderen, draait u de spankopsleutel in slechts één opening linksom en draait u vervolgens de spankop met de hand los.
4. Wanneer de spankopsleutel niet wordt gebruikt, bergt u hem op zoals aangegeven in de afbeelding zodat u hem niet verliest.
► Fig.10: 1. Spankopsleutel

Het mengblad aanbrengen

Optioneel accessoire

Steek het mengblad op de as en zet hem vast met behulp van de zeskantbout. Let er daarbij op dat de punt van de zeskantbout aangrijpt op de platte kant van de as, en draai dan de zeskantbout vast met de bijgeleverde sleutel.

- Fig.11: 1. Zeskantbout 2. As 3. Platte kant 4. Mengblad

Wanneer u twee mengbladen op de as aanbrengt, bevestigt u de twee mengbladen elk met behulp van een zeskantbout op het platte deel van de as, zodanig dat dezelfde kant van elk mengblad tegenover elkaar ligt, zoals aangegeven in de afbeelding.

- Fig.12: 1. Zeskantbout 2. As 3. Platte kant 4. Mengblad

OPMERKING: Vraag uw plaatselijke Makita-servicecentrum welke mengbladen toegestaan zijn.

De accu aanbrengen en verwijderen

▲LET OP: Schakel het gereedschap altijd uit voordat u de accu aanbrengt of verwijderd.

▲LET OP: Houd het gereedschap en de accu stevig vast tijdens het aanbrengen of verwijderen van de accu. Als u het gereedschap en de accu niet stevig vasthoudt, kunnen deze uit uw handen glippen en het gereedschap of de accu beschadigen, of kan persoonlijk letsel worden veroorzaakt.

▲LET OP: Gebruik dit gereedschap niet met de accuadapter. Als u de accuadapter aansluit op het gereedschap, kan het accudeksel niet worden gesloten, en het gebruik van het gereedschap met een open accudeksel kan leiden tot letsel.

▲LET OP: Wees voorzichtig bij het sluiten of openen van het accudeksel dat uw vingers niet bekneld raken.

KENNISGEVING: Breng het accudeksel aan dat overeenkomt met de grootte van de accu.

Open het accudeksel terwijl u de knop op het accudeksel indrukt.

► **Fig.13:** 1. Knop 2. Accudeksel

Om de accu te verwijderen verschuift u de knop aan de voorkant van de accu en schuift u tegelijkertijd de accu uit het gereedschap.

► **Fig.14:** 1. Rood deel 2. Knop 3. Accu

Om de accu aan te brengen lijnt u de lip op de accu uit met de groef in de behuizing en duwt u de accu op zijn plaats. Steek de accu zo ver mogelijk in het gereedschap tot u een klikgeluid hoort. Wanneer het rode deel zichtbaar is, zoals aangegeven in de afbeelding, is de accu niet geheel vergrendeld.

Nadat de accu is aangebracht, sluit u het accudeksel stevig.

▲LET OP: Breng de accu altijd helemaal aan totdat het rode deel niet meer zichtbaar is. Als u dit niet doet, kan de accu per ongeluk uit het gereedschap vallen en u of anderen in uw omgeving verwonden.

▲LET OP: Breng de accu niet met kracht aan. Als de accu niet gemakkelijk in het gereedschap kan worden geschoven, wordt deze niet goed aangebracht.

De trekkerschakelaar gebruiken

▲WAARSCHUWING: Voordat u de accu aanbrengt in het gereedschap, verzekert u zich er altijd van dat de trekkerschakelaar correct werkt en na voldoende inknijpen en loslaten terugkeert naar de uit-stand.

▲WAARSCHUWING: U mag NOOIT de uit-vergrendelknop buiten werking stellen door hem met tape vast te zetten of iets dergelijks. Een schakelaar met een buiten werking gestelde uit-vergrendelknop kan leiden tot onbedoelde bediening en ernstig persoonlijk letsel.

▲WAARSCHUWING: Gebruik het gereedschap NOOIT indien het al start wanneer u gewoon de trekkerschakelaar inknijpt zonder de uit-vergrendelknop in te drukken. Een schakelaar die gerepareerd moet worden kan leiden tot onbedoelde bediening en ernstig persoonlijk letsel. Breng het gereedschap naar een Makita-servicecentrum voor deugdelijke reparatie ALVORENS het verder te gebruiken.

▲WAARSCHUWING: Breng de accu niet aan terwijl de vergrendelknop is ingedrukt.

Een uit-vergrendelknop is aanwezig om te voorkomen dat de trekkerschakelaar per ongeluk wordt ingeknepen. Om het gereedschap te starten, drukt u de uit-vergrendelknop in en knijpt u de trekkerschakelaar in. Hoe groter de druk op de trekkerschakelaar, hoe hoger het toerental van het gereedschap. Laat de trekkerschakelaar los om het gereedschap te stoppen.

Om het gereedschap continu te laten werken, knijpt u eerst de trekkerschakelaar in, drukt u daarna de vergrendelknop in, en laat u tenslotte de trekkerschakelaar los. Om het gereedschap te stoppen, knijpt u de trekkerschakelaar helemaal in en laat u deze vervolgens weer los.

► **Fig.15:** 1. Trekkerschakelaar 2. Uit-vergrendelknop 3. Vergrendelknop

De toerentalkeuzeknop bedienen

KENNISGEVING: Gebruik de toerentalkeuzeknop alleen nadat het gereedschap volledig tot stilstand is gekomen. Als de toerentalfunctie van het gereedschap wordt veranderd voordat het gereedschap tot stilstand is gekomen, kan het gereedschap worden beschadigd.

KENNISGEVING: Zet de toerentalkeuzeknop altijd voorzichtig in de juiste stand. Als u het gereedschap bedient met de toerentalkeuzeknop halverwege tussen de standen 1 en 2, kan het gereedschap beschadigd worden.

KENNISGEVING: Als het toerental aanzienlijk afneemt tijdens het gebruik in de hoog-toerentalfunctie, stopt u het gereedschap en verandert u de functie naar de laag-toerentalfunctie. Anders kan de motor overbelast raken en een storing of brand veroorzaken.

Twee toerentalfuncties kunnen vooraf worden geselecteerd met behulp van de toerentalkeuzeknop.

Selecteer de juiste toerentalfunctie afhankelijk van het materiaal dat wordt gemengd.

Om het toerental te veranderen, draait u de toerentalkeuzeknop zodanig dat de pijlpunt is uitgelijnd met stip voor stand 1 voor de laag-toerentalfunctie, of met de stip voor stand 2 voor de hoog-toerentalfunctie.

► **Fig.16:** 1. Pijlpunt 2. Toerentalkeuzeknop 3. Stip

De toerentalregelaar bedienen

Het toerental van het gereedschap kan traploos worden ingesteld door de toerentalregelaar te draaien. Het nul-lasttoerental bij volledig is ingeknepen trekkerschakelaar kan worden ingesteld tussen 270 min⁻¹ en 500 min⁻¹ in de laag-toerentalfunctie, en tussen 500 min⁻¹ en 920 min⁻¹ in de hoog-toerentalfunctie. Wanneer het instelwiel in de richting van stand 5 wordt gedraaid, wordt het toerental hoger, en wanneer het instelwiel in de richting van stand 1 wordt gedraaid, wordt het toerental lager. Selecteer het juiste toerental afhankelijk van het materiaal dat wordt gemengd.

► Fig.17: 1. Toerentalregelaar

KENNISGEVING: De toerentalregelaar kan slechts tot stand 5 worden gedraaid en worden teruggedraaid tot stand 1. Forceer hem niet tot voorbij stand 5 of 1.

Beveiliging tegen onopzettelijk herstarten

Als u de accu aanbrengt terwijl de trekkerschakelaar ingeknepen wordt gehouden of de trekkerschakelaar is vergrendeld, start het gereedschap niet. Om het gereedschap te kunnen starten, laat u eerst de trekker-schakelaar los en knijpt u vervolgens de trekkerschakelaar in.

Elektronische functie

Het gereedschap is uitgerust met de volgende elektronische functie voor een gemakkelijke bediening.

Zachte start

De zachte-startfunctie minimaliseert de opstartshock en zorgt ervoor dat het gereedschap soepel opstart.

Basisbedieningen

▲LET OP: Meng geen brandbare materialen en bedien het gereedschap niet in de buurt van brandbare materialen, zoals verf waarin thinner zit als oplosmiddel. Anders kan dat leiden tot letsel.

▲LET OP: Meng geen materialen met een hoge viscositeit in de hoog-toerentalfunctie. U kunt de controle over het gereedschap verliezen waardoor letsel kan worden veroorzaakt.

▲LET OP: Laat het mengblad niet ronddraaien buiten de mengbak.

▲LET OP: Als u tijdens gebruik een abnormaal geluid hoort, zet u de schakelaar uit en stopt u met het gebruik van het gereedschap.

KENNISGEVING: Wanneer u het mengblad uit het materiaal haalt terwijl u aan het mengen bent, let u erop dat het materiaal niet in het rond spettert.

KENNISGEVING: Gebruik het gereedschap niet voor enig ander doel dan het mengen van specie, beton, enz.

1. Selecteer de hoog-toerentalfunctie of de laag-toerentalfunctie afhankelijk van het materiaal dat moet worden gemengd.
2. Houd het gereedschap met beide handen stevig vast. Steek het mengblad volledig in het materiaal. Controleer of het materiaal niet vast is geworden en de veiligheid van de werkplek. Schakel daarna het gereedschap in.
3. Beweeg het mengblad omhoog en omlaag tijdens het mengen zodat al het materiaal wordt gemengd.
4. Als u klaar bent met mengen, schakelt u het gereedschap uit. Wacht tot het mengblad volledig tot stilstand is gekomen en trek het vervolgens uit de mengbak.

Praktijkgebruik

▲LET OP: Zorg altijd dat het gereedschap is uitgeschakeld en de accu ervan is verwijderd alvorens de functies op het gereedschap af te stellen of te controleren.

Het accudeksel vervangen

Optioneel accessoire

Monteer een van de accudeksels overeenkomstig de grootte van uw accu.

► Fig.18: 1. Accudeksel S 2. Accudeksel L 3. Knop

1. Open het standaard geleverde accudeksel terwijl u de knop op het accudeksel indrukt.
2. Draai de schroef los waarmee het standaard geleverde accudeksel is bevestigd. Verwijder daarna de schroef, de bus en het accudeksel.
- Fig.19: 1. Schroef 2. Bus 3. Accudeksel (standaard geleverd)

OPMERKING: De bus kan in de montagegaten blijven zitten. In dat geval trekt u hem eruit met behulp van een schroef of iets dergelijks.

3. Lijn het montagegat in het optionele accudeksel uit met de montagegaten in de behuizing. Steek de bus erin. Draai daarna de schroeven vast om hem op zijn plaats te bevestigen.
- Fig.20: 1. Schroef 2. Bus 3. Accudeksel (optioneel)
4. Sluit het accudeksel stevig.

De ashouder aanbrengen en verwijderen

Afhankelijk van het land

Voor UT001G

Breng één van de optioneel beschikbare ashouders aan overeenkomstig de maat schroef van de as.

► Fig.21: 1. Ashouder M12 2. Ashouder M14

Terwijl u de spindel vasthoudt met een sleutel, draait u de ashouder los met behulp van een andere sleutel.

► Fig.22: 1. Ashouder 2. Sleutel 3. Spindel

Om de ashouder aan te brengen, volgt u de verwijderingsprocedure in omgekeerde volgorde.

Voor UT002G

1. Steek de inbussleutel in de spankop en draai vervolgens de spankop los met behulp van de inbussleutel terwijl u de spindel vasthoudt met behulp van de sleutel.
► **Fig.23:** 1. Inbussleutel 2. Spankop 3. Sleutel 4. Spindel
2. Draai de ashouder vast met behulp van een sleutel terwijl u de spindel vasthoudt met een andere sleutel.
► **Fig.24:** 1. Ashouder 2. Sleutel 3. Spindel

Verzorging na gebruik

Gebruik een natte doek of iets dergelijks om voorzichtig al het natte materiaal af te vegen dat na gebruik is achtergebleven op het gereedschap. Extra aandacht moet worden besteed aan het grondig reinigen van sleuven, rondom de schakelaar, klepopeningen, enz.

KENNISGEVING: Reinig het gereedschap niet met water. Water kan binnendringen in het motorhuis en een motorstoring veroorzaken.

ONDERHOUD

LET OP: Zorg altijd dat het gereedschap is uitgeschakeld en de accu ervan is verwijderd alvorens te beginnen met onderhoud of inspectie.

KENNISGEVING: Gebruik nooit benzine, wasbenzine, thinner, alcohol en dergelijke. Hierdoor kunnen verkleuring, vervormingen en barsten worden veroorzaakt.

Om de VEILIGHEID en BETROUWBAARHEID van het gereedschap te handhaven, dienen alle reparaties, overig onderhoud en afstellingen te worden uitgevoerd door een door Makita erkend servicecentrum of het fabrieksservicecentrum, en altijd met gebruikmaking van originele Makita-vervangingsonderdelen.

Problemen oplossen

Alvorens om reparatie te verzoeken, controleert u de volgende punten.

1. Schakel het gereedschap uit en schakel het daarna weer in om het opnieuw te starten.
2. Laad de accu('s) op of vervang hem/ze door (een) opgeladen accu('s).
3. Laat het gereedschap en de accu('s) afkoelen.

Als geen verbetering optreedt nadat het beveiligingssysteem is gereset, neemt u contact op met uw lokale Makita-servicecentrum.

OPTIONELE ACCESSOIRES

LET OP: Deze accessoires of hulpstukken worden aanbevolen voor gebruik met het Makita gereedschap dat in deze gebruiksaanwijzing is beschreven. Bij gebruik van andere accessoires of hulpstukken bestaat het gevaar van persoonlijke letsel. Gebruik de accessoires of hulpstukken uitsluitend voor hun bestemde doel.

Went u meer bijzonderheden over deze accessoires, neem dan contact op met het plaatselijke Makita-servicecentrum.

- Mengblad
- As
- Accudeksel
- Originele Makita-accu en -acculader

OPMERKING: Sommige items op de lijst kunnen zijn inbegrepen in de doos van het gereedschap als standaard toebehoren. Deze kunnen van land tot land verschillen.

ESPECIFICACIONES

Modelo:		UT001G	UT002G
Velocidad sin carga	Modo de velocidad alta	0 - 920 min ⁻¹	
	Modo de velocidad baja	0 - 500 min ⁻¹	
Diámetro máximo del disco mezclador		240 mm	
Longitud total (sin eje ni disco mezclador)	con cubierta de la batería S	373 mm	363 mm
	con cubierta de la batería L	412 mm	403 mm
Tensión nominal		36 V - 40 V CC máx.	
Peso neto		5,7 - 7,0 kg	5,8 - 7,2 kg

- Debido a nuestro continuado programa de investigación y desarrollo, las especificaciones aquí dadas están sujetas a cambios sin previo aviso.
- Las especificaciones y el cartucho de batería pueden diferir de país a país.
- El peso puede variar dependiendo del accesorio(s), incluyendo el cartucho de batería. La combinación menos pesada y la más pesada, de acuerdo con el procedimiento EPTA 01/2014, se muestran en la tabla.

Cartucho de batería y cargador aplicables




Cartucho de batería	BL4020 / BL4025 / BL4040* / BL4050F* / BL4080F* * : Batería recomendada
Cargador	DC40RA / DC40RB / DC40RC

- Algunos de los cartuchos de batería y cargadores indicados arriba puede que no estén disponibles dependiendo de su región de residencia.

⚠ ADVERTENCIA: Utilice solamente los cartuchos de batería y cargadores indicados arriba. La utilización de cualquier otro cartucho de batería y cargador puede ocasionar heridas y/o un incendio.

Símbolos

A continuación se muestran los símbolos que pueden ser utilizados para el equipo. Asegúrese de que entienda su significado antes de utilizar.

	Lea el manual de instrucciones.
	No utilice la herramienta en la lluvia.
	No limpie la herramienta con agua.



Sólo para países de la Unión Europea
Debido a la presencia de componentes peligrosos en el equipo, el equipo eléctrico y electrónico, los acumuladores y las baterías desechados pueden tener un impacto negativo para el medioambiente y la salud humana.

¡No tire los aparatos eléctricos y electrónicos ni las baterías junto con los residuos domésticos!

De conformidad con las Directivas Europeas sobre residuos de aparatos eléctricos y electrónicos y sobre acumuladores y baterías y residuos de acumuladores y baterías, así como la adaptación de las mismas a la ley nacional, el equipo eléctrico, las baterías y los acumuladores desechados deberán ser almacenados por separado y trasladados a un punto distinto de recogida de desechos municipales, que cumpla con los reglamentos sobre protección medioambiental.

Esto se indica mediante el símbolo de cubo de basura tachado colocado en el equipo.

Uso previsto

La herramienta ha sido prevista para mezclar materiales para paredes, etc. (excepto materiales inflamables).

Ruido

El nivel de ruido A-ponderado típico determinado de acuerdo con la norma EN62841-2-10:

Modelo UT001G

Nivel de presión sonora (L_{pA}): 81 dB (A)
Nivel de potencia sonora (L_{WA}): 92 dB (A)
Error (K): 3 dB (A)

Modelo UT002G

Nivel de presión sonora (L_{pA}): 81 dB (A)
Nivel de potencia sonora (L_{WA}): 92 dB (A)
Error (K): 3 dB (A)

NOTA: El valor (o los valores) de emisión de ruido declarado ha sido medido de acuerdo con un método de prueba estándar y se puede utilizar para comparar una herramienta con otra.

NOTA: El valor (o valores) de emisión de ruido declarado también se puede utilizar en una valoración preliminar de exposición.

⚠ADVERTENCIA: Póngase protectores para oídos.

⚠ADVERTENCIA: La emisión de ruido durante la utilización real de la herramienta eléctrica puede variar del valor (o los valores) de emisión declarado dependiendo de las formas en las que la herramienta sea utilizada, especialmente qué tipo de pieza de trabajo se procesa.

⚠ADVERTENCIA: Asegúrese de identificar medidas de seguridad para proteger al operario que estén basadas en una estimación de la exposición en las condiciones reales de utilización (teniendo en cuenta todas las partes del ciclo operativo como las veces cuando la herramienta está apagada y cuando está funcionando en vacío además del tiempo de gatillo).

Vibración

El valor total de la vibración (suma de vectores triaxiales) determinado de acuerdo con la norma EN62841-2-10:

Modelo UT001G

Modo de trabajo: operación sin carga
Emisión de vibración (a_h): 2,5 m/s² o menos
Error (K): 1,5 m/s²

Modelo UT002G

Modo de trabajo: operación sin carga
Emisión de vibración (a_h): 2,5 m/s² o menos
Error (K): 1,5 m/s²

NOTA: El valor (o los valores) total de emisión de vibración declarado ha sido medido de acuerdo con un método de prueba estándar y se puede utilizar para comparar una herramienta con otra.

NOTA: El valor (o los valores) total de emisión de vibración declarado también se puede utilizar en una valoración preliminar de exposición.

⚠ADVERTENCIA: La emisión de vibración durante la utilización real de la herramienta eléctrica puede variar del valor (o los valores) de emisión declarado dependiendo de las formas en las que la herramienta sea utilizada, especialmente qué tipo de pieza de trabajo se procesa.

⚠ADVERTENCIA: Asegúrese de identificar medidas de seguridad para proteger al operario que estén basadas en una estimación de la exposición en las condiciones reales de utilización (teniendo en cuenta todas las partes del ciclo operativo como las veces cuando la herramienta está apagada y cuando está funcionando en vacío además del tiempo de gatillo).

Declaración CE de conformidad

Para países europeos solamente

La declaración CE de conformidad está incluida como Anexo A de esta manual de instrucciones.

ADVERTENCIAS DE SEGURIDAD

Advertencias de seguridad para herramientas eléctricas en general

⚠ADVERTENCIA: Lea todas las advertencias de seguridad, instrucciones, ilustraciones y especificaciones provistas con esta herramienta eléctrica. Si no sigue todas las instrucciones indicadas abajo podrá resultar en una descarga eléctrica, un incendio y/o heridas graves.

Guarde todas las advertencias e instrucciones para futuras referencias.

El término "herramienta eléctrica" en las advertencias se refiere a su herramienta eléctrica de funcionamiento con conexión a la red eléctrica (con cable) o herramienta eléctrica de funcionamiento a batería (sin cable).

Advertencias de seguridad para el mezclador inalámbrico

1. **Sujete la herramienta con ambas manos en los mangos previstos para ello.** Una pérdida del control puede ocasionar heridas personales.
2. **Asegure una ventilación suficiente cuando mezcle materiales inflamables para evitar que se forme un ambiente peligroso.** Los vapores emanados podrían ser inhalados o prendidos con las chispas que produce la herramienta eléctrica.
3. **No mezcle alimentos.** Las herramientas eléctricas y sus accesorios no han sido diseñados para procesar alimentos.

4. **Asegúrese de que el recipiente de mezcla está colocado en una posición firme y segura.** Un recipiente que no esté sujetado firmemente podrá moverse inesperadamente.
5. **Siga las instrucciones y advertencias para el material que se va a mezclar.** El material que se va a mezclar puede ser nocivo.
6. **No acerque las manos al interior del recipiente de mezcla ni inserte cualquier otro objeto en él mientras mezcla.** El contacto con el disco mezclador podrá dar lugar a heridas personales graves.
7. **Ponga en marcha y detenga la herramienta solamente en el recipiente de mezcla.** El disco mezclador podrá doblarse o girar de manera incontrolada.
8. **Asegúrese de que no salpique líquido contra la carcasa de la herramienta eléctrica.** Si entra líquido en la herramienta eléctrica puede causar daño a la herramienta.
9. **Utilice los mangos auxiliares, si se han suministrado con la herramienta.** Una pérdida del control podrá ocasionar heridas personales.
10. **Cuando realice una operación en la que el accesorio de corte pueda entrar en contacto con cableado oculto, sujete la herramienta eléctrica por las superficies de aislamiento aisladas.** El contacto del accesorio de corte con un cable con corriente hará que la corriente circule por las partes metálicas expuestas de la herramienta eléctrica y podrá soltar una descarga eléctrica al operario.
11. **Asegúrese siempre de que tiene suelo firme. Asegúrese de que no haya nadie debajo cuando utilice la herramienta en lugares altos.**
12. **Sujete la herramienta firmemente.**
13. **Mantenga las manos alejadas de las partes giratorias.**
14. **No deje la herramienta en marcha. Utilice la herramienta solamente cuando la esté sujetando.**
15. **Algunos materiales contienen sustancias químicas que podrán ser tóxicas. Tenga precaución para evitar la inhalación de polvo y el contacto con la piel. Siga las advertencias de seguridad del proveedor del material.**
16. **Cuando realice la operación de mezclar, coloque el recipiente de mezcla sobre una superficie plana y estable.**

GUARDE ESTAS INSTRUCCIONES.

⚠️ ADVERTENCIA: NO deje que la comodidad o familiaridad con el producto (a base de utilizarlo repetidamente) sustituya la estricta observancia de las normas de seguridad para el producto en cuestión. El MAL USO o el no seguir las normas de seguridad establecidas en este manual de instrucciones podrá ocasionar graves heridas personales.

Instrucciones de seguridad importantes para el cartucho de batería

1. **Antes de utilizar el cartucho de batería, lea todas las instrucciones e indicaciones de precaución sobre (1) el cargador de baterías, (2) la batería, y (3) el producto con el que se utiliza la batería.**
2. **No desensamble ni manipule el cartucho de batería.** Podrá resultar en un incendio, calor excesivo, o una explosión.
3. **Si el tiempo de uso se acorta demasiado, cese la operación inmediatamente. Podría resultar en un riesgo de recalentamiento, posibles quemaduras e incluso una explosión.**
4. **Si entra electrólito en sus ojos, aclárelos con agua limpia y acuda a un médico inmediatamente. Existe el riesgo de poder perder la vista.**
5. **No cortocircuite el cartucho de batería:**
 - (1) **No toque los terminales con ningún material conductor.**
 - (2) **Evite guardar el cartucho de batería en un cajón junto con otros objetos metálicos, como clavos, monedas, etc.**
 - (3) **No exponga el cartucho de batería al agua ni a la lluvia.**

Un cortocircuito en la batería puede producir una gran circulación de corriente, un recalentamiento, posibles quemaduras e incluso una rotura de la misma.
6. **No guarde ni utilice la herramienta y el cartucho de batería en lugares donde la temperatura pueda alcanzar o exceder los 50 °C.**
7. **Nunca incinere el cartucho de batería incluso en el caso de que esté dañado seriamente o ya no sirva en absoluto. El cartucho de batería puede explotar si se tira al fuego.**
8. **No clave, corte, aplaste, lance, deje caer el cartucho de batería, ni golpee contra un objeto duro el cartucho de batería.** Tal conducta podrá resultar en un incendio, calor excesivo, o una explosión.
9. **No utilice una batería dañada.**
10. **Las baterías de litio-ion contenidas están sujetas a los requisitos de la Legislación para Materiales Peligrosos.**

Para transportes comerciales, p.ej., por terceras personas y agentes de transportes, se deberán observar requisitos especiales para el empaquetado y etiquetado.

Para la preparación del artículo que se va a enviar, se requiere consultar con un experto en materiales peligrosos. Por favor, observe también la posibilidad de reglamentos nacionales más detallados. Cubra con cinta aislante o enmascare los contactos expuestos y empaquete la batería de tal manera que no se pueda mover alrededor dentro del embalaje.
11. **Para desechar el cartucho de batería, retírelo de la herramienta y deséchelo en un lugar seguro. Siga los reglamentos locales referentes al desecho de la batería.**

12. **Utilice las baterías solamente con los productos especificados por Makita.** La instalación de las baterías en productos no compatibles puede resultar en un incendio, calor excesivo, explosión, o fuga de electrolito.
13. **Si la herramienta no va a ser utilizada durante un periodo de tiempo largo, la batería deberá ser retirada de la herramienta.**
14. **Durante y después de la utilización, el cartucho de batería podrá acumular calor, lo cual puede ocasionar quemaduras o quemaduras de baja temperatura. Preste atención al manejo de cartuchos de batería calientes.**
15. **No toque el terminal de la herramienta inmediatamente después de utilizar, dado que puede calentarse lo suficiente como para ocasionar quemaduras.**
16. **No permita que virutas, polvo, o tierra se adhieran dentro de los terminales, orificios, y ranuras del cartucho de batería.** Esto podría ocasionar calentamiento, que coja fuego, reviente y un mal funcionamiento de la herramienta o el cartucho de batería, resultando en quemaduras o heridas personales.
17. **A menos que la herramienta pueda utilizarse cerca de cables eléctricos de alta tensión, no utilice el cartucho de batería cerca de cables eléctricos de alta tensión.** Podrá resultar en un mal funcionamiento o rotura de la herramienta o el cartucho de batería.
18. **Mantenga la batería alejada de los niños.**

GUARDE ESTAS INSTRUCCIONES.

⚠PRECAUCIÓN: Utilice solamente baterías genuinas de Makita. La utilización de baterías no genuinas de Makita, o baterías que han sido alteradas, puede resultar en una explosión de la batería ocasionando incendios, heridas personales y daños. También anulará la garantía de Makita para la herramienta y el cargador de Makita.

Consejos para alargar al máximo la vida de servicio de la batería

1. **Cargue el cartucho de batería antes de que se descargue completamente. Detenga siempre la operación y cargue el cartucho de batería cuando note menos potencia en la herramienta.**
2. **No cargue nunca un cartucho de batería que esté completamente cargado. La sobrecarga acortará la vida de servicio de la batería.**
3. **Cargue el cartucho de batería a temperatura ambiente de 10 °C - 40 °C. Si un cartucho de batería está caliente, déjelo enfriar antes de cargarlo.**
4. **Cuando no esté utilizando el cartucho de batería, retírelo de la herramienta o del cargador.**
5. **Cargue el cartucho de batería si no lo utiliza durante un periodo de tiempo prolongado (más de seis meses).**

DESCRIPCIÓN DE LAS PARTES

Modelo UT001G

► Fig.1

1	Gatillo interruptor	2	Botón de desbloqueo
3	Botón de bloqueo	4	Dial de ajuste de velocidad
5	Pomo de cambio de velocidad	6	Cubierta de la batería
7	Mango	8	Soporte del eje
9	Eje	10	Disco mezclador

Modelo UT002G

► Fig.2

1	Gatillo interruptor	2	Botón de desbloqueo
3	Botón de bloqueo	4	Dial de ajuste de velocidad
5	Pomo de cambio de velocidad	6	Cubierta de la batería
7	Mango	8	Mandril

PREPARATIVOS ANTES DE LA UTILIZACIÓN

Modo de indicar la capacidad de batería restante

Presione el botón de comprobación en el cartucho de batería para indicar la capacidad de batería restante. Las lámparas indicadoras se iluminan durante unos pocos segundos.

► Fig.3: 1. Lámparas indicadoras 2. Botón de comprobación

Lámparas indicadoras			Capacidad restante
Iluminada	Apagada	Parpadeando	
			75% a 100%
			50% a 75%
			25% a 50%
			0% a 25%
			Cargue la batería.
			Puede que la batería no esté funcionando bien.

NOTA: Dependiendo de las condiciones de utilización y de la temperatura ambiente, la indicación podrá variar ligeramente de la capacidad real.

NOTA: La primera lámpara indicadora (extremo izquierdo) parpadeará cuando el sistema de protección de la batería esté funcionando.

Cosas que necesita saber antes de utilizar

Agarre el mango cuando utilice o transporte la herramienta.

► Fig.4

⚠PRECAUCIÓN: No agarre la parte de la chapa metálica. Las áreas cortantes puede ocasionar heridas.

Sistema de protección de la herramienta / batería

La herramienta está equipada con un sistema de protección de la herramienta/batería. Este sistema corta automáticamente la alimentación al motor para alargar la vida de servicio de la herramienta y la batería. La herramienta se detendrá automáticamente durante la operación si la herramienta o la batería es puesta en una de las condiciones siguientes:

Protección contra sobrecarga

Cuando la herramienta/batería sea operada de una manera que le haga absorber una corriente anormalmente alta, la herramienta se detendrá automáticamente. En esta situación, apague la herramienta y detenga la tarea que ocasiona la sobrecarga de la herramienta. Después encienda la herramienta para volver a empezar.

Protección contra el recalentamiento

Cuando la herramienta/batería se recalienta, la herramienta se detiene automáticamente. En esta situación, deje que la herramienta/batería se enfríe antes de encender la herramienta otra vez.

Protección contra descarga excesiva

Cuando la capacidad de la batería sea baja, la herramienta se detendrá automáticamente. Si el producto no funciona aun cuando los interruptores sean accionados, retire las baterías de la herramienta y cárguelas.

CÓMO USAR

⚠PRECAUCIÓN: Asegúrese siempre de que la herramienta está apagada y el cartucho de batería retirado antes de realizar cualquier trabajo en la herramienta.

AVISO: Cuando no esté trabajando, deje la máquina y guárdela.

► Fig.5

Montaje

Instalación del eje

Accesorio opcional

Para UT001G

1. Apriete el eje en el soporte del eje.
► Fig.6: 1. Eje 2. Soporte del eje
2. Sujete las partes planas del soporte del eje con la llave de 19 de manera que el soporte del eje no pueda girar. Con las partes planas sujetadas de esa forma, apriete la tuerca hexagonal con otra llave de 19 en la dirección de la flecha.
► Fig.7: 1. Eje 2. Soporte del eje

Para UT002G

1. Inserte el eje a fondo en el mandril.
► Fig.8: 1. Eje 2. Mandril
2. Apriete el mandril a mano, y después coloque la llave de mandril en cada uno de los tres agujeros y apriételo girando hacia la derecha. Asegúrese de apretar con la llave de mandril en los tres agujeros uniformemente.
► Fig.9: 1. Llave de mandril 2. Mandril
3. Para retirar el eje, gire la llave de mandril hacia la izquierda en uno de los agujeros, y después afloje el mandril a mano.
4. Cuando no la esté utilizando, guarde la llave de mandril como se muestra en la figura para evitar perderla.
► Fig.10: 1. Llave de mandril

Instalación del disco mezclador

Accesorio opcional

Inserte el disco mezclador en el eje y sujételo con el perno de cabeza hexagonal. En este momento, posícionelo de forma que el extremo superior del perno de cabeza hexagonal siempre encaje en la superficie plana del eje y apriete el perno de cabeza hexagonal con la llave provista.

- Fig.11: 1. Perno de cabeza hexagonal 2. Eje
3. Superficie plana 4. Disco mezclador

Cuando instale los discos mezcladores en dos posiciones diferentes, monte y sujete los dos discos mezcladores en la parte plana del eje con los pernos de cabeza hexagonal de manera que la misma superficie de los discos mezcladores quede orientada una frente a la otra como se muestra en la figura.

- Fig.12: 1. Perno de cabeza hexagonal 2. Eje
3. Superficie plana 4. Disco mezclador

NOTA: Pregunte en el centro de servicio Makita local sobre qué discos mezcladores están permitidos.

Instalación o extracción del cartucho de batería

⚠ PRECAUCIÓN: Apague siempre la herramienta antes de instalar o retirar el cartucho de batería.

⚠ PRECAUCIÓN: Sujete la herramienta y el cartucho de batería firmemente cuando instale o retire el cartucho de batería. Si no sujeta la herramienta y el cartucho de batería firmemente podrán caérsele de las manos y resultar en daños a la herramienta y al cartucho de batería y heridas personales.

⚠ PRECAUCIÓN: No utilice esta herramienta con el adaptador de batería. Si conecta el adaptador de batería a la herramienta, la cubierta de la batería no se podrá cerrar, y utilizar la herramienta con la cubierta de la batería abierta puede ocasionar heridas.

⚠ PRECAUCIÓN: Tenga cuidado de no pillarse los dedos cuando abra o cierre la cubierta de la batería.

AVISO: Instale una cubierta de la batería que corresponda con el tamaño de la batería.

Abra la cubierta de la batería mientras presiona el botón de la cubierta de la batería.

► **Fig.13:** 1. Botón 2. Cubierta de la batería

Para retirar el cartucho de batería, deslícelo de la herramienta mientras desliza el botón de la parte frontal del cartucho.

► **Fig.14:** 1. Indicador rojo 2. Botón 3. Cartucho de batería

Para instalar el cartucho de batería, alinee la lengüeta del cartucho de batería con la ranura del alojamiento y deslícelo al interior hasta encajarlo en su sitio. Insértelo por completo hasta que se bloquee en su sitio con un pequeño chasquido. Si puede ver el indicador rojo como se muestra en la figura, no estará bloqueado completamente.

Después de instalar el cartucho de batería, cierre la cubierta de la batería firmemente.

⚠ PRECAUCIÓN: Instale siempre el cartucho de batería completamente hasta que no pueda verse el indicador rojo. En caso contrario, podrá caerse accidentalmente de la herramienta y ocasionarle heridas a usted o a alguien que esté cerca de usted.

⚠ PRECAUCIÓN: No instale el cartucho de batería empleando fuerza. Si el cartucho no se desliza al interior fácilmente, será porque no está siendo insertado correctamente.

Accionamiento del interruptor

⚠ ADVERTENCIA: Antes de instalar el cartucho de batería en la herramienta, asegúrese siempre de que el gatillo interruptor se acciona debidamente y que vuelve a la posición "desactivada" apretándolo completamente y soltándolo.

⚠ ADVERTENCIA: No anule NUNCA la función del botón de desbloqueo sujetándolo con cinta adhesiva o de alguna otra manera. Un interruptor con un botón de desbloqueo anulado puede resultar en una puesta en marcha involuntaria y heridas personales graves.

⚠ ADVERTENCIA: No utilice NUNCA la herramienta si se pone en marcha cuando usted simplemente aprieta el gatillo interruptor sin presionar el botón de desbloqueo. Un interruptor con necesidad de reparación puede resultar en una puesta en marcha involuntaria y heridas personales graves. Lleve la herramienta a un centro de servicio Makita para que le hagan las reparaciones apropiadas ANTES de seguir utilizándola.

⚠ ADVERTENCIA: No instale el cartucho de batería con el botón de bloqueo accionado.

Para evitar que el gatillo interruptor pueda ser apretado accidentalmente, se ha provisto un botón de desbloqueo. Para poner en marcha la herramienta, presione hacia dentro el botón de desbloqueo y apriete el gatillo interruptor. La velocidad de la herramienta se incrementa aumentando la presión del gatillo interruptor. Suelte el gatillo interruptor para parar. Para operación continua, presione hacia dentro el botón de bloqueo mientras aprieta el gatillo interruptor, y después suelte el gatillo interruptor. Para parar la herramienta, apriete el gatillo interruptor completamente, después suéltelo.

► **Fig.15:** 1. Gatillo interruptor 2. Botón de desbloqueo 3. Botón de bloqueo

Operación del pomo de cambio de velocidad

AVISO: Utilice el pomo de cambio de velocidad solamente después de que la herramienta se haya parado completamente. Si cambia la velocidad de la herramienta antes de que la herramienta se haya parado, la herramienta se podrá dañar.

AVISO: Ponga siempre el pomo de cambio de velocidad con cuidado en la posición correcta. Si utiliza la herramienta con el pomo de cambio de velocidad puesto a mitad entre la posición 1 y la posición 2, la herramienta se podrá dañar.

AVISO: Si la velocidad de giro se reduce significativamente durante la operación en modo de velocidad alta, detenga la herramienta y cambie el modo al modo de velocidad baja. De lo contrario, el motor se podrá sobrecargar y ocasionar un mal funcionamiento o un incendio.

Con el pomo de cambio de velocidad se pueden seleccionar dos gamas de velocidades.

Seleccione el modo de velocidad apropiado para el material que vaya a mezclar.

Para cambiar el modo de velocidad, gire el pomo de cambio de velocidad de manera que el puntero apunte al punto de la posición 1 para el modo de velocidad baja o al punto de la posición 2 para el modo de velocidad alta.

► **Fig.16:** 1. Puntero 2. Pomo de cambio de velocidad 3. Punto

Operación del dial de ajuste de velocidad

La velocidad de la herramienta se puede ajustar progresivamente girando el dial de ajuste de velocidad. La velocidad sin carga cuando el gatillo interruptor está apretado completamente se puede ajustar de 270 min⁻¹ a 500 min⁻¹ en modo de velocidad baja, y de 500 min⁻¹ a 920 min⁻¹ en modo de velocidad alta. Se obtiene mayor velocidad cuando el dial es girado en la dirección del número 5; se obtiene menor velocidad cuando es girado en la dirección del número 1. Seleccione la velocidad apropiada para el material que vaya a mezclar.

► **Fig.17:** 1. Dial de ajuste de velocidad

AVISO: El dial de ajuste de velocidad se puede girar solamente hasta 5 y de vuelta a 1. No lo fuerce más allá de 5 ni de 1.

Función de prevención de reinicio de puesta en marcha accidental

Si instala el cartucho de batería mientras aprieta el gatillo interruptor o bloquea el gatillo interruptor, la herramienta no se pondrá en marcha. Para poner en marcha la herramienta, suelte el gatillo interruptor, y después apriete el gatillo interruptor.

Función electrónica

La herramienta está equipada con la función electrónica siguiente para facilitar la operación.

Inicio suave

La función de inicio suave minimiza el golpe del arranque, y hace que la herramienta se ponga en marcha suavemente.

Operación básica

⚠PRECAUCIÓN: No mezcle materiales inflamables ni utilice la herramienta alrededor de materiales inflamables como pintura con diluyente utilizado como disolvente. En caso contrario podrá ocasionar heridas.

⚠PRECAUCIÓN: No mezcle materiales de alta viscosidad en el modo de velocidad alta. Podrá perder el control de la herramienta y ocasionar heridas.

⚠PRECAUCIÓN: No gire el disco mezclador fuera del recipiente usado para batir.

⚠PRECAUCIÓN: Si oye un ruido anormal durante la utilización, desactive el interruptor y deje de usar la herramienta.

AVISO: Cuando mezcle el material mientras el disco mezclador esté flotando fuera del material, tenga cuidado de no salpicar el material.

AVISO: No utilice la herramienta para ningún propósito excepto batir mortero, hormigón, etc.

1. Seleccione el modo de velocidad alta o el modo de velocidad baja de acuerdo con el material que vaya a mezclar.
2. Sujete la herramienta firmemente con ambas manos. Ponga el disco mezclador completamente dentro del material. Compruebe que el material no se ha solidificado y la seguridad del lugar de trabajo, después encienda la herramienta.
3. Mueva el disco mezclador hacia arriba y hacia abajo durante la operación de mezclar de manera que se pueda mezclar todo el material.
4. Cuando termine de mezclar, apague la herramienta. Asegúrese de que el disco mezclador se ha detenido completamente, y después extráigalo del recipiente de mezcla.

Operaciones aplicadas

⚠PRECAUCIÓN: Asegúrese siempre de que la herramienta está apagada y el cartucho de batería retirado antes de realizar cualquier ajuste o comprobación en la herramienta.

Reemplazo de la cubierta de la batería

Accesorio opcional

Instale una de las cubiertas de la batería que corresponda con el tamaño del cartucho de batería.

► **Fig.18:** 1. Cubierta de la batería S 2. Cubierta de la batería L 3. Botón

1. Abra la cubierta de la batería equipada de serie mientras presiona el botón de la cubierta de la batería.
2. Afloje el tornillo que sujeta la cubierta de la batería equipada de serie. Después quite el tornillo, el casquillo y la cubierta de la batería.

► **Fig.19:** 1. Tornillo 2. Casquillo 3. Cubierta de la batería (equipada de serie)

NOTA: El casquillo puede permanecer en los agujeros de montaje. En ese caso, extráigalo utilizando un tornillo o similar.

3. Alinee el agujero de montaje de la cubierta de la batería opcional con los agujeros de montaje de la carcasa. Inserte el casquillo. Después apriete los tornillos para sujetarlo en su sitio.

► **Fig.20:** 1. Tornillo 2. Casquillo 3. Cubierta de la batería (opcional)

4. Cierre la cubierta de la batería firmemente.

Instalación o desmontaje del soporte del eje específico para cada país

Para UT001G

Instale uno de los soportes del eje disponibles opcionalmente con el soporte con el tamaño del tornillo del eje.

► **Fig.21:** 1. Soporte del eje M12 2. Soporte del eje M14

Mientras sujeta el eje de la herramienta con una llave, afloje el soporte del eje con otra llave.

► **Fig.22:** 1. Soporte del eje 2. Llave 3. Eje de la herramienta

Para instalar el soporte del eje, realice el procedimiento de desmontaje a la inversa.

Para UT002G

1. Inserte la llave hexagonal en el mandril, y después afloje el mandril con la llave hexagonal mientras sujeta el eje de la herramienta con la llave.

► **Fig.23:** 1. Llave hexagonal 2. Mandril 3. Llave 4. Eje de la herramienta

2. Apriete el soporte del eje con una llave mientras sujeta el eje de la herramienta con otra llave.

► **Fig.24:** 1. Soporte del eje 2. Llave 3. Eje de la herramienta

Manejo después de la utilización

Utilice un paño mojado o similar para retirar con cuidado el material que haya quedado en la herramienta después de la utilización. Se deberá tener cuidado especial para limpiar concienzudamente las aberturas de ventilación, el área del interruptor, aberturas con cubierta, etc.

AVISO: Evite limpiar la herramienta en agua. El agua entrará en la carcasa del motor y ocasionará un fallo del motor.

MANTENIMIENTO

PRECAUCIÓN: Asegúrese siempre de que la herramienta está apagada y de que el cartucho de batería está retirado antes de intentar hacer una inspección o mantenimiento.

AVISO: No utilice nunca gasolina, bencina, disolvente, alcohol o similares. Podría producir descoloración, deformación o grietas.

Para mantener la SEGURIDAD y FIABILIDAD del producto, las reparaciones, y cualquier otra tarea de mantenimiento o ajuste deberán ser realizadas en centros de servicio o de fábrica autorizados por Makita, empleando siempre repuestos Makita.

Solución de problemas

Antes de solicitar una reparación, compruebe los puntos siguientes.

1. Apague la herramienta, y después enciéndala otra vez para volver a empezar.
2. Cargue la(s) batería(s) o reemplácela(s) con una batería(s) recargada(s).
3. Deje que la herramienta y la(s) batería(s) se enfríen.

Si no se nota una mejora al restablecer el sistema de protección, póngase en contacto con el centro de servicio Makita local.

ACCESORIOS OPCIONALES

PRECAUCIÓN: Estos accesorios o aditamentos están recomendados para su uso con la herramienta Makita especificada en este manual. El uso de cualquier otro accesorio o aditamento puede suponer un riesgo de heridas personales. Utilice el accesorio o aditamento solamente con la finalidad indicada para el mismo.

Si necesita cualquier ayuda para más detalles en relación con estos accesorios, pregunte al centro de servicio Makita local.

- Disco mezclador
- Eje
- Cubierta de la batería
- Batería y cargador genuinos de Makita

NOTA: Algunos elementos de la lista podrán estar incluidos en el paquete de la herramienta como accesorios estándar. Pueden variar de un país a otro.

ESPECIFICAÇÕES

Modelo:		UT001G	UT002G
Velocidade sem carga	Modo de alta velocidade	0 - 920 min ⁻¹	
	Modo de baixa velocidade	0 - 500 min ⁻¹	
Diâmetro máximo da lâmina de mistura		240 mm	
Comprimento total (sem eixo e lâmina de mistura)	com tampa da bateria S	373 mm	363 mm
	com tampa da bateria L	412 mm	403 mm
Tensão nominal		36 V - 40 V C.C. máx.	
Peso líquido		5,7 - 7,0 kg	5,8 - 7,2 kg

- Devido a um programa contínuo de pesquisa e desenvolvimento, estas especificações estão sujeitas a alteração sem aviso prévio.
- As especificações e a bateria podem variar de país para país.
- O peso poderá diferir em função do acessório(s), incluindo a bateria. A combinação mais leve e mais pesada, de acordo com o Procedimento EPTA 01/2014, é apresentada na tabela.

Bateria e carregador aplicável

Bateria	BL4020 / BL4025 / BL4040* / BL4050F* / BL4080F* *: Bateria recomendada
Carregador	DC40RA / DC40RB / DC40RC

- Algumas das baterias e carregadores listados acima poderão não estar disponíveis, dependendo da sua região de residência.

AVISO: Utilize apenas as baterias e carregadores listados acima. A utilização de quaisquer outras baterias e carregadores pode causar ferimentos e/ou um incêndio.

Símbolos

A seguir são apresentados os símbolos que podem ser utilizados para o equipamento. Certifique-se de que compreende o seu significado antes da utilização.



Leia o manual de instruções.



Não utilize a ferramenta à chuva.



Não limpe a ferramenta com água.



Apenas para países da UE
Devido à presença de componentes perigosos no equipamento, os resíduos de equipamentos elétricos e eletrónicos, acumuladores e baterias podem ter um impacto negativo no meio ambiente e na saúde humana.
Não elimine aparelhos elétricos e eletrónicos ou baterias juntamente com resíduos domésticos!
De acordo com a Diretiva europeia relativa aos resíduos de equipamentos elétricos e eletrónicos, acumuladores e baterias, bem como a respetiva adaptação à legislação nacional, os resíduos de equipamentos elétricos e eletrónicos, acumuladores e baterias devem ser armazenados separadamente e entregues num ponto de recolha separado para resíduos municipais, que opere de acordo com os regulamentos de proteção ambiental.
Tal é indicado pelo símbolo de contentor de lixo com rodas barrado com uma cruz colocado no equipamento.

Utilização a que se destina

A ferramenta destina-se a misturar materiais de parede, etc. (exceto materiais inflamáveis).

Ruído

A característica do nível de ruído A determinado de acordo com a EN62841-2-10:

Modelo UT001G

Nível de pressão acústica (L_{pA}): 81 dB (A)

Nível de potência acústica (L_{WA}): 92 dB (A)

Variabilidade (K): 3 dB (A)

Modelo UT002G

Nível de pressão acústica (L_{pA}): 81 dB (A)

Nível de potência acústica (L_{WA}): 92 dB (A)

Variabilidade (K): 3 dB (A)

NOTA: O(s) valor(es) da emissão de ruído indicado(s) foi medido de acordo com um método de teste padrão e pode ser utilizado para comparar duas ferramentas.

NOTA: O(s) valor(es) da emissão de ruído indicado(s) pode também ser utilizado na avaliação preliminar da exposição.

AVISO: Utilize protetores auriculares.

AVISO: A emissão de ruído durante a utilização real da ferramenta elétrica pode diferir do(s) valor(es) indicado(s), dependendo das formas como a ferramenta é utilizada, especialmente o tipo de peça de trabalho que é processada.

AVISO: Certifique-se de identificar as medidas de segurança para proteção do operador que sejam baseadas em uma estimativa de exposição em condições reais de utilização (considerando todas as partes do ciclo de operação, tal como quando a ferramenta está desligada e quando está a funcionar em marcha lenta além do tempo de acionamento).

Vibração

Valor total da vibração (soma vetorial tri-axial) determinado de acordo com a EN62841-2-10:

Modelo UT001G

Modo de trabalho: funcionamento sem carga

Emissão de vibração (a_{h1}): 2,5 m/s² ou menos

Variabilidade (K): 1,5 m/s²

Modelo UT002G

Modo de trabalho: funcionamento sem carga

Emissão de vibração (a_{h1}): 2,5 m/s² ou menos

Variabilidade (K): 1,5 m/s²

NOTA: O(s) valor(es) total(ais) de vibração indicado(s) foi medido de acordo com um método de teste padrão e pode ser utilizado para comparar duas ferramentas.

NOTA: O(s) valor(es) total(ais) de vibração indicado(s) pode também ser utilizado na avaliação preliminar da exposição.

AVISO: A emissão de vibração durante a utilização real da ferramenta elétrica pode diferir do(s) valor(es) indicado(s), dependendo das formas como a ferramenta é utilizada, especialmente o tipo de peça de trabalho que é processada.

AVISO: Certifique-se de identificar as medidas de segurança para proteção do operador que sejam baseadas em uma estimativa de exposição em condições reais de utilização (considerando todas as partes do ciclo de operação, tal como quando a ferramenta está desligada e quando está a funcionar em marcha lenta além do tempo de acionamento).

Declaração de conformidade da CE

Apenas para os países europeus

A declaração de conformidade da CE está incluída como Anexo A neste manual de instruções.

AVISOS DE SEGURANÇA

Avisos gerais de segurança para ferramentas elétricas

AVISO: Leia todos os avisos de segurança, instruções, ilustrações e especificações fornecidos com esta ferramenta elétrica. O não cumprimento de todas as instruções indicadas em baixo pode resultar em choque elétrico, incêndio e/ou ferimentos graves.

Guarde todos os avisos e instruções para futuras referências.

O termo "ferramenta elétrica" nos avisos refere-se às ferramentas elétricas ligadas à corrente elétrica (com cabo) ou às ferramentas elétricas operadas por meio de bateria (sem cabo).

Avisos de segurança do misturador a bateria

1. **Agarre na ferramenta com as duas mãos nas pegas previstas.** A perda de controlo pode causar ferimentos pessoais.
2. **Assegure ventilação suficiente quando misturar materiais inflamáveis para evitar uma atmosfera perigosa.** O vapor produzido pode ser inalado ou provocar a ignição através das faíscas que a ferramenta elétrica produz.
3. **Não misture alimentos.** As ferramentas elétricas e os respetivos acessórios não são adequados para processar alimentos.
4. **Certifique-se de que o recipiente de mistura está colocado numa posição firme e segura.** Um recipiente que não esteja devidamente seguro pode mover-se inesperadamente.
5. **Siga as instruções e avisos para o material a misturar.** O material a misturar pode ser nocivo.

6. **Não tente alcançar o recipiente de mistura com as mãos ou insira quaisquer outros objetos neste durante a mistura.** O contacto com a lâmina do misturador pode resultar em ferimentos pessoais graves.
7. **Efetue o arranque da ferramenta e pare a ferramenta apenas no recipiente de mistura.** A lâmina do misturador pode dobrar ou girar de forma descontrolada.
8. **Assegure que não ocorre o salpico de líquido contra o compartimento da ferramenta elétrica.** O líquido que tenha penetrado na ferramenta elétrica pode causar danos na ferramenta.
9. **Utilize pegas auxiliares, se fornecidas com a ferramenta.** A perda de controlo pode causar ferimentos pessoais.
10. **Segure a ferramenta elétrica através das superfícies isoladas quando executar uma operação na qual o acessório de corte possa estabelecer contacto com os fios ocultos.** O acessório de corte que estabeleça contacto com um fio sob tensão pode colocar as peças metálicas expostas da ferramenta elétrica sob tensão e pode provocar choque elétrico no operador.
11. **Assegure sempre uma posição firme. Certifique-se de que ninguém se encontra sob locais elevados quando utiliza a ferramenta nestes locais.**
12. **Segure a ferramenta com firmeza.**
13. **Mantenha as mãos afastadas de peças rotativas.**
14. **Não deixe a ferramenta a funcionar. Opere a ferramenta apenas quando estiver a segurar nesta.**
15. **Alguns materiais contêm produtos químicos que podem ser tóxicos. Tenha cuidado para evitar a inalação de poeira e o contacto com a pele. Respeite os avisos de segurança do fornecedor do material.**
16. **Quando executar a operação de mistura, coloque o recipiente de mistura numa superfície plana e estável.**
3. **Se o tempo de funcionamento se tornar excessivamente curto, pare o funcionamento imediatamente. Pode resultar em sobreaquecimento, possíveis queimaduras e mesmo explosão.**
4. **Se entrar eletrólito nos seus olhos, lave-os com água e consulte imediatamente um médico. Pode resultar em perda de visão.**
5. **Não coloque a bateria em curto-circuito:**
 - (1) **Não toque nos terminais com qualquer material condutor.**
 - (2) **Evite guardar a bateria juntamente com outros objetos metálicos tais como pregos, moedas, etc.**
 - (3) **Não exponha a bateria à água ou chuva. Um curto-circuito pode ocasionar um enorme fluxo de corrente, sobreaquecimento, possíveis queimaduras e mesmo estragar-se.**
6. **Não guarde nem utilize a ferramenta e a bateria em locais onde a temperatura pode atingir ou exceder 50 °C.**
7. **Não queime a bateria mesmo que esteja estragada ou completamente gasta. A bateria pode explodir no fogo.**
8. **Não pregue, corte, esmague, atire, deixe cair a bateria, nem bata a bateria contra um objeto rijo.** Esta conduta pode resultar num incêndio, em calor excessivo ou numa explosão.
9. **Não utilize uma bateria danificada.**
10. **As baterias de íões de lítio contidas na ferramenta são sujeitas aos requisitos da DGL (Dangerous Goods Legislation - Legislação de bens perigosos).**

Para o transporte comercial, por exemplo, por terceiros ou agentes de expedição, têm de ser observados os requisitos referentes à embalagem e etiquetagem.

Para preparação do artigo a ser expedido, é necessário consultar um perito em materiais perigosos. Tenha ainda em conta a possibilidade de existirem regulamentos nacionais mais detalhados.

Coloque fita-cola ou tape os contactos abertos e embale a bateria de tal forma que não possa mover-se dentro da embalagem.

GUARDE ESTAS INSTRUÇÕES.

⚠️ AVISO: NÃO permita que o conforto ou familiaridade com o produto (adquirido com o uso repetido) substitua o cumprimento estrito das regras de segurança da ferramenta. A MÁ INTERPRETAÇÃO ou o não seguimento das regras de segurança estabelecidas neste manual de instruções pode provocar ferimentos pessoais graves.

Instruções de segurança importantes para a bateria

1. **Antes de utilizar a bateria, leia todas as instruções e etiquetas de precaução no (1) carregador de bateria (2) bateria e (3) produto que utiliza a bateria.**
2. **Não desmonte ou manipule a bateria.** Pode resultar num incêndio, em calor excessivo ou numa explosão.
11. **Quando eliminar a bateria, remova-a da ferramenta e elimine-a num local seguro. Siga os regulamentos locais relacionados com a eliminação de baterias.**
12. **Utilize as baterias apenas com os produtos especificados pela Makita.** Instalar as baterias em produtos não-conformes poderá resultar num incêndio, calor excessivo, explosão ou fuga de eletrólito.
13. **Se a ferramenta não for utilizada durante um período de tempo prolongado, a bateria deve ser removida da ferramenta.**
14. **Durante e após a utilização, a bateria pode aquecer, o que pode provocar queimaduras ou queimaduras a baixa temperatura. Preste atenção ao manuseamento de baterias quentes.**
15. **Não toque no terminal da ferramenta imediatamente após a utilização, pois pode ficar suficientemente quente para provocar queimaduras.**

16. Não permita a adesão de aparas, pó ou sujidade nos terminais, nos orifícios e nas ranhuras da bateria. Poderá fazer com que a ferramenta ou a bateria aqueça, incendeie, rebente e avarie, resultando em queimaduras ou ferimentos corporais.
17. A menos que a ferramenta suporte a utilização perto de linhas elétricas de alta tensão, não utilize a bateria perto de linhas elétricas de alta tensão. Pode resultar no mau funcionamento ou na avaria da ferramenta ou bateria.
18. Mantenha a bateria afastada das crianças.

GUARDE ESTAS INSTRUÇÕES.

⚠PRECAUÇÃO: Utilize apenas baterias genuínas da Makita. A utilização de baterias não genuínas da Makita ou de baterias que foram alteradas, pode resultar no reben-tamento da bateria provocando incêndios, ferimentos pes-soais e danos. Além disso, anulará a garantia da Makita no que se refere à ferramenta e ao carregador Makita.

Conselhos para manter a máxima vida útil da bateria

1. Carregue a bateria antes que esteja comple-tamente descarregada. Pare sempre o funcio-namento da ferramenta e carregue a bateria quando notar menos poder na ferramenta.
2. Nunca carregue uma bateria completamente carregada. Carregamento excessivo diminui a vida útil da bateria.
3. Carregue a bateria à temperatura ambiente de 10 °C – 40 °C. Deixe que uma bateria quente arrefeça antes de a carregar.
4. Quando não utilizar a bateria, remova-a da ferramenta ou do carregador.
5. Carregue a bateria se não a utilizar durante um longo período de tempo (mais de seis meses).

DESCRIÇÃO DAS PEÇAS

Modelo UT001G

► Fig.1

1	Gatilho do interruptor	2	Botão de desbloqueio
3	Botão de bloqueio	4	Indicador de ajuste da velocidade
5	Botão de mudança de velocidade	6	Tampa da bateria
7	Pega	8	Suporte do eixo
9	Eixo	10	Lâmina de mistura

Modelo UT002G

► Fig.2

1	Gatilho do interruptor	2	Botão de desbloqueio
3	Botão de bloqueio	4	Indicador de ajuste da velocidade
5	Botão de mudança de velocidade	6	Tampa da bateria
7	Pega	8	Mandril

PREPARAÇÃO ANTES DA UTILIZAÇÃO

Indicação da capacidade restante da bateria

Prima o botão de verificação na bateria para indicar a capacidade restante da bateria. As luzes indicadoras acendem durante alguns segundos.

► Fig.3: 1. Luzes indicadoras 2. Botão de verificação

Luzes indicadoras			Capacidade restante
Aceso	Apagado	A piscar	
■ ■ ■ ■	□ □ □ □	▧ □ □ □	75% a 100%
■ ■ ■ □	□ □ □ □	▧ □ □ □	50% a 75%
■ ■ □ □	□ □ □ □	▧ □ □ □	25% a 50%
■ □ □ □	□ □ □ □	▧ □ □ □	0% a 25%
▧ □ □ □	□ □ □ □	□ □ □ □	Carregar a bateria.
■ ■ □ □	□ □ □ □	□ □ □ □	A bateria pode estar avariada.
□ □ ■ ■	□ □ □ □	□ □ □ □	

NOTA: Dependendo das condições de utilização e da temperatura ambiente, a indicação pode ser ligeiramente diferente da capacidade real.

NOTA: A primeira luz indicadora (extremo esquerdo) pisca quando o sistema de proteção da bateria funciona.

O que precisa de saber antes da utilização

Segure a pega quando utilizar ou transportar a ferramenta.

► Fig.4

⚠PRECAUÇÃO: Não segure a parte metálica da chapa. As áreas afiadas podem provocar ferimentos.

Sistema de proteção da ferramenta/ bateria

A ferramenta está equipada com um sistema de proteção da ferramenta/bateria. Este sistema corta automaticamente a corrente para o motor para aumentar a vida da ferramenta e da bateria. A ferramenta para automaticamente durante o funcionamento se a ferramenta ou bateria for colocada mediante uma das seguintes condições:

Proteção contra sobrecarga

Quando a ferramenta/bateria é utilizada de forma a causar a absorção de uma corrente anormalmente elevada, a ferramenta para automaticamente. Nesta situação, desligue a ferramenta e pare a aplicação que provocou a sobrecarga da ferramenta. Depois, volte a ligar a ferramenta para voltar ao trabalho.

Proteção contra sobreaquecimento

Quando a ferramenta/bateria fica sobreaquecida, a ferramenta para automaticamente. Neste caso, deixe a ferramenta/bateria arrefecer antes de voltar a ligar a ferramenta.

Proteção contra descarga excessiva

Quando a capacidade da bateria é baixa, a ferramenta para automaticamente. Se o produto não funcionar mesmo quando os interruptores são acionados, retire as baterias da ferramenta e carregue-as.

COMO UTILIZAR

⚠️ PRECAUÇÃO: Certifique-se sempre de que a ferramenta está desligada e a bateria retirada antes de executar qualquer trabalho na ferramenta.

📌 OBSERVAÇÃO: Quando não estiver a trabalhar, poue a máquina e guarde-a.

► Fig.5

Montagem

Instalar o eixo

Acessório opcional

Para UT001G

1. Aperte o eixo no suporte do eixo.

► Fig.6: 1. Eixo 2. Suporte do eixo

2. Fixe os lados no suporte do eixo com a chave 19 para que não seja possível a respetiva rotação. Com os lados assim fixados, aperte a porca hexagonal com outra chave 19 na direção da seta.

► Fig.7: 1. Eixo 2. Suporte do eixo

Para UT002G

1. Insira o eixo no mandril até ao fim.

► Fig.8: 1. Eixo 2. Mandril

2. Aperte o mandril manualmente e, em seguida, coloque a chave do mandril em cada um dos três orifícios e aperte-o para a direita. Certifique-se de que aperta a chave do mandril nos três orifícios uniformemente.

► Fig.9: 1. Chave do mandril 2. Mandril

3. Para remover o eixo, rode a chave do mandril para a esquerda num dos orifícios e depois solte o mandril à mão.

4. Quando não estiver em utilização, guarde a chave do mandril conforme apresentado na figura para evitar que se perca.

► Fig.10: 1. Chave do mandril

Instalar a lâmina de mistura

Acessório opcional

Insira a lâmina de mistura no eixo e prenda-a com o perno hexagonal. Nesta altura, posicione-a de modo que a extremidade superior do perno hexagonal encaixe sempre na superfície plana no eixo e aperte o perno hexagonal com a chave fornecida.

► Fig.11: 1. Perno hexagonal 2. Eixo 3. Superfície plana 4. Lâmina de mistura

Quando instalar as lâminas de mistura em duas posições diferentes, monte e fixe as duas lâminas de mistura na parte plana do eixo com os pernos hexagonais de modo que a mesma superfície das lâminas de mistura esteja de frente uma para a outra conforme apresentado na figura.

► Fig.12: 1. Perno hexagonal 2. Eixo 3. Superfície plana 4. Lâmina de mistura

NOTA: Informe-se junto do seu centro de assistência da Makita local relativamente às lâminas de mistura que são permitidas.

Instalação ou remoção da bateria

⚠️ PRECAUÇÃO: Desligue sempre a ferramenta antes de instalar ou remover a bateria.

⚠️ PRECAUÇÃO: Segure firmemente a ferramenta e a bateria quando instalar ou remover a bateria. Se não segurar firmemente a ferramenta e a bateria pode fazer com que escorreguem das suas mãos resultando em danos na ferramenta e na bateria e ferimentos pessoais.

⚠️ PRECAUÇÃO: Não utilize esta ferramenta com o adaptador da bateria. Se ligar o adaptador da bateria à ferramenta, a tampa da bateria não pode ser fechada e utilizar a ferramenta com a tampa da bateria aberta pode provocar ferimentos.

⚠️ PRECAUÇÃO: Tenha cuidado para não prender os dedos quando abrir ou fechar a tampa da bateria.

📌 OBSERVAÇÃO: Instale uma tampa da bateria que corresponda ao tamanho da bateria.

Abra a tampa da bateria enquanto pressiona o botão na tampa da bateria.

► Fig.13: 1. Botão 2. Tampa da bateria

Para retirar a bateria, deslize-a para fora da ferramenta enquanto desliza o botão na frente da bateria.

► Fig.14: 1. Indicador vermelho 2. Botão 3. Bateria

Para instalar a bateria, alinhe a lingueta na bateria com a ranhura na caixa e deslize-a para a posição correta. Insira-a por completo até bloquear na posição correta com um pequeno clique. Se conseguir ver o indicador vermelho conforme apresentado na figura, não está completamente bloqueada.

Feche a tampa da bateria em segurança após instalar a bateria.

⚠️ PRECAUÇÃO: Instale sempre a bateria até ao fim, até deixar de ver o indicador vermelho. Caso contrário, a bateria poderá cair da ferramenta acidentalmente e provocar ferimentos em si mesmo ou em alguém próximo.

⚠️ PRECAUÇÃO: Não instale a bateria à força. Se a bateria não deslizar facilmente é porque não foi colocada corretamente.

Ação do interruptor

⚠️ AVISO: Antes de instalar a bateria na ferramenta, certifique-se sempre de que o gatilho do interruptor funciona adequadamente e volta à posição de desligado, puxando-o completamente e soltando-o.

⚠️ AVISO: NUNCA tente anular o botão de desbloqueio utilizando fita adesiva ou qualquer outro meio. Um interruptor com um botão de desbloqueio inutilizado pode provocar o funcionamento acidental e causar ferimentos pessoais graves.

⚠️ AVISO: NUNCA utilize a ferramenta se esta funcionar quando puxar simplesmente o gatilho do interruptor sem pressionar o botão de desbloqueio. Um interruptor que necessita de reparação pode resultar em funcionamento acidental e em ferimentos pessoais graves. Devolva a ferramenta a um centro de assistência da Makita para a execução das tarefas de reparação adequadas ANTES de nova utilização.

⚠️ AVISO: Não instale a bateria com o botão de bloqueio engatado.

Para evitar que o gatilho do interruptor seja puxado acidentalmente, existe um botão de desbloqueio. Para efetuar o arranque da ferramenta, pressione o botão de desbloqueio e puxe o gatilho do interruptor.

A velocidade da ferramenta aumenta à medida que se vai aumentando a pressão no gatilho do interruptor. Solte o gatilho do interruptor para parar.

Para uma operação contínua, prima o botão de bloqueio enquanto puxa o gatilho do interruptor e, depois, solte o gatilho do interruptor. Para parar a ferramenta, puxe o gatilho do interruptor até ao fim e, em seguida, solte-o.

► **Fig.15:** 1. Gatilho do interruptor 2. Botão de desbloqueio 3. Botão de bloqueio

Operação do botão de mudança de velocidade

OBSERVAÇÃO: Utilize o botão de mudança de velocidade apenas após a paragem completa da ferramenta. Se mudar o modo de velocidade da ferramenta antes de a ferramenta parar pode danificar a ferramenta.

OBSERVAÇÃO: Regule sempre o botão de mudança de velocidade cuidadosamente para a posição correta. Se operar a ferramenta com o botão de mudança de velocidade posicionado a meio entre a posição 1 e a posição 2, a ferramenta pode ficar danificada.

OBSERVAÇÃO: Se a velocidade de rotação diminuir significativamente durante o funcionamento no modo de alta velocidade, pare a ferramenta e altere o modo para o modo de baixa velocidade. Caso contrário, o motor pode ficar sobrecarregado e causar uma anomalia ou um incêndio.

É possível pré-selecionar duas gamas de velocidade com o botão de mudança de velocidade.

Selecione o modo de velocidade adequado para o material a ser misturado.

Para alterar o modo de velocidade, rode o botão de mudança de velocidade de modo que o indicador aponte para o ponto na posição 1 para o modo de baixa velocidade ou para o ponto na posição 2 para o modo de alta velocidade.

► **Fig.16:** 1. Indicador 2. Botão de mudança de velocidade 3. Ponto

Operação do indicador de ajuste da velocidade

A velocidade da ferramenta pode ser ajustada de modo contínuo ao rodar o indicador de ajuste da velocidade. A velocidade sem carga quando o gatilho do interruptor está totalmente puxado pode ser ajustada entre 270 min⁻¹ e 500 min⁻¹ no modo de baixa velocidade e entre 500 min⁻¹ e 920 min⁻¹ no modo de alta velocidade. A velocidade mais elevada é obtida quando o indicador é rodado na direção do número 5. A velocidade mais baixa é obtida quando o mesmo é rodado na direção do número 1.

Selecione a velocidade adequada para o material a ser misturado.

► **Fig.17:** 1. Indicador de ajuste da velocidade

OBSERVAÇÃO: O indicador de ajuste da velocidade apenas pode ser rodado até 5 e de volta ao 1. Não o force além de 5 ou 1.

Função de prevenção de reinício acidental

Se instalar a bateria enquanto puxa ou bloqueia o gatilho do interruptor, a ferramenta não efetua o arranque. Para efetuar o arranque da ferramenta, solte o gatilho do interruptor e, em seguida, puxe o gatilho do interruptor.

Função eletrônica

A ferramenta está equipada com a seguinte função eletrônica para uma fácil operação.

Arranque suave

A função de arranque suave minimiza o choque de arranque e faz com que a ferramenta arranque suavemente.

Operações básicas

⚠️ PRECAUÇÃO: Não misture materiais inflamáveis ou opere a ferramenta em redor de materiais inflamáveis, tais como tinta com diluente utilizado como solvente. O incumprimento desta instrução pode provocar ferimentos.

⚠️ PRECAUÇÃO: Não misture material de alta viscosidade no modo de alta velocidade. Pode perder o controlo da ferramenta e provocar ferimentos.

⚠️ PRECAUÇÃO: Não rode a lâmina de mistura fora do recipiente de mistura.

⚠️ PRECAUÇÃO: Se ouvir um ruído anormal durante a utilização, desligue o interruptor e pare de utilizar a ferramenta.

OBSERVAÇÃO: Quando misturar o material enquanto a lâmina de mistura estiver a flutuar fora do material, tenha cuidado para não salpicar o material.

OBSERVAÇÃO: Não utilize a ferramenta para qualquer finalidade que não a mistura de argamassa, cimento, etc.

1. Selecione o modo de alta velocidade ou o modo de baixa velocidade de acordo com o material a ser misturado.
2. Segure a ferramenta firmemente com as duas mãos. Coloque a lâmina de mistura totalmente sob o material. Verifique se o material não está solidificado e a segurança do local de trabalho e, em seguida, ligue a ferramenta.
3. Mova a lâmina de mistura para cima e para baixo durante a operação de mistura para que toda a parte do material possa ser misturada.
4. Quando terminar a mistura, desligue a ferramenta. Certifique-se de que a lâmina de mistura parou completamente e, em seguida, retire-a do recipiente de mistura.

Operações aplicadas

⚠️ PRECAUÇÃO: Certifique-se sempre de que a ferramenta está desligada e a bateria foi retirada antes de regular ou verificar qualquer função na ferramenta.

Substituir a tampa da bateria

Acessório opcional

Instale uma das tampas da bateria para se ajustar ao tamanho da sua bateria.

► **Fig.18:** 1. Tampa da bateria S 2. Tampa da bateria L 3. Botão

1. Abra a tampa da bateria equipada de série enquanto pressiona o botão na tampa da bateria.
2. Solte o parafuso que fixa a tampa da bateria equipada de série. Em seguida, remova o parafuso, a manga e a tampa da bateria.

► **Fig.19:** 1. Parafuso 2. Manga 3. Tampa da bateria (equipada de série)

NOTA: A manga pode permanecer nos orifícios de montagem. Nesse caso, retire-a utilizando um parafuso ou algo similar.

3. Alinhe o orifício de montagem na tampa da bateria opcional com os orifícios de montagem na caixa. Insira a manga. Em seguida, aperte os parafusos para a fixar na devida posição.

► **Fig.20:** 1. Parafuso 2. Manga 3. Tampa da bateria (opcional)

4. Feche a tampa da bateria firmemente.

Instalar ou remover o suporte do eixo

específico para o país

Para UT001G

Instale um dos suportes do eixo opcionalmente disponíveis para se ajustar ao tamanho do parafuso do eixo.

► **Fig.21:** 1. Suporte do eixo M12 2. Suporte do eixo M14

Enquanto segura o eixo com uma chave, solte o suporte do eixo com outra chave.

► **Fig.22:** 1. Suporte do eixo 2. Chave 3. Eixo

Para instalar o suporte do eixo, execute o procedimento de remoção pela ordem inversa.

Para UT002G

1. Insira a chave hexagonal no mandril e, em seguida, solte o mandril com a chave hexagonal enquanto segura o eixo com a chave.

► **Fig.23:** 1. Chave hexagonal 2. Mandril 3. Chave 4. Eixo

2. Aperte o suporte do eixo com uma chave enquanto segura o eixo com outra chave.

► **Fig.24:** 1. Suporte do eixo 2. Chave 3. Eixo

Manuseamento após a utilização

Utilize um pano húmido ou algo similar para limpar cuidadosamente o material deixado na ferramenta após a utilização. Deve-se tomar cuidado extra com a limpeza minuciosa das aberturas de ventilação, área do interruptor, aberturas da tampa, etc.

OBSERVAÇÃO: Evite limpar a ferramenta com água. A água irá entrar na caixa do motor e provocar a falha do motor.

MANUTENÇÃO

⚠PRECAUÇÃO: Certifique-se sempre de que a ferramenta se encontra desligada e de que a bateria foi retirada antes de executar qualquer inspeção ou manutenção.

OBSERVAÇÃO: Nunca utilize gasolina, benzina, diluente, álcool ou produtos semelhantes. Pode ocorrer a descoloração, deformação ou rachaduras.

Para manter a SEGURANÇA e a FIABILIDADE do produto, as reparações e qualquer outra manutenção ou ajuste devem ser levados a cabo pelos centros de assistência Makita autorizados ou pelos centros de assistência de fábrica, utilizando sempre peças de substituição Makita.

Resolução de problemas

Antes de solicitar reparações, verifique os seguintes pontos.

1. Desligue a ferramenta e, em seguida, volte a ligá-la para reiniciar.
2. Carregue a(s) bateria(s) ou substitua-a(s) por bateria(s) recarregada(s).
3. Deixe a ferramenta e a(s) bateria(s) arrefecerem.

Se não for possível constatar qualquer melhoria através do restauro do sistema de proteção, contacte o centro de assistência Makita local.

ACESSÓRIOS OPCIONAIS

⚠PRECAUÇÃO: Estes acessórios ou peças são recomendados para utilização com a ferramenta Makita especificada neste manual. A utilização de outros acessórios ou peças pode ser perigosa para as pessoas. Utilize apenas acessórios ou peças para os fins indicados.

Se necessitar de informações adicionais relativas a estes acessórios, solicite-as ao seu centro de assistência Makita.

- Lâmina de mistura
- Eixo
- Tampa da bateria
- Bateria e carregador genuínos da Makita

NOTA: Alguns itens da lista podem estar incluídos na embalagem da ferramenta como acessórios padrão. Eles podem variar de país para país.

SPECIFIKATIONER

Model:		UT001G	UT002G
Hastighed uden belastning	Højhastighedstilstand	0 - 920 min ⁻¹	
	Lavhastighedstilstand	0 - 500 min ⁻¹	
Maksimal diameter for blanderblad		240 mm	
Samlet længde (uden aksel og blanderblad)	med batteridæksel S	373 mm	363 mm
	med batteridæksel L	412 mm	403 mm
Nominel spænding		DC 36 V - 40 V maks.	
Nettovægt		5,7 - 7,0 kg	5,8 - 7,2 kg

- På grund af vores kontinuerlige forsknings- og udviklingsprogrammer kan hosstående specifikationer blive ændret uden varsel.
- Specifikationer og akku kan variere fra land til land.
- Vægten kan være anderledes afhængigt af tilbehøret, inklusive akkuen. Den letteste og tungeste kombination i henhold til EPTA-procedure 01/2014 er vist i tabellen.

Anvendelig akku og oplader

Akku	BL4020 / BL4025 / BL4040* / BL4050F* / BL4080F* * : Anbefalet batteri
Oplader	DC40RA / DC40RB / DC40RC

- Nogle af de akkuer og opladere, der er angivet ovenfor, er muligvis ikke tilgængelige, afhængigt af hvilket område du bor i.

⚠ ADVARSEL: Brug kun de akkuer og opladere, der er angivet ovenfor. Brug af andre akkuer og opladere kan medføre personskaade og/eller brand.

Symboler

Følgende viser de symboler, der muligvis anvendes til udstyret. Sørg for, at du forstår deres betydning før brugen.



Læs brugsanvisningen.



Brug ikke maskinen i regnvejr.



Undlad at rengøre maskinen med vand.



Kun for lande inden for EU
På grund af tilstedeværelsen af farlige komponenter i udstyret kan affald af elektrisk og elektronisk udstyr, akkumulatører og batterier have en negativ indvirkning på miljøet og folkesundheden. Bortskaf ikke elektriske og elektroniske apparater eller batterier sammen med husholdningsaffald! I overensstemmelse med EF-direktiv om affaldshåndtering af elektrisk og elektronisk udstyr og om akkumulatører og batterier og affaldsakkumulatører og -batterier, og i overensstemmelse med national lovgivning, skal brugt elektrisk udstyr, batterier og akkumulatører opbevares separat og leveres til et separat indsamlingssted for kommunalt affald, der er etableret i henhold til bestemmelserne om miljøbeskyttelse. Dette er angivet ved symbolet på den krydsede skraldespand, der er placeret på udstyret.

Tilsigtet anvendelse

Maskinen er beregnet til at blande vægmateriale osv. (undtagen brændbare materialer).

Støj

Det typiske A-vægtede støjniveau bestemt i overensstemmelse med EN62841-2-10:

Model UT001G

Lydtryksniveau (L_{pA}): 81 dB (A)

Lydeffektniveau (L_{WA}): 92 dB (A)

Usikkerhed (K): 3 dB (A)

Model UT002G

Lydtryksniveau (L_{pA}): 81 dB (A)

Lydeffektniveau (L_{WA}): 92 dB (A)

Usikkerhed (K): 3 dB (A)

BEMÆRK: De(n) angivne støjemissionsværdi(er) er målt i overensstemmelse med en standardtestmetode og kan anvendes til at sammenligne en maskine med en anden.

BEMÆRK: De(n) angivne støjemissionsværdi(er) kan også anvendes i en præliminær eksponeringsvurdering.

⚠ ADVARSEL: Bær høreværn.

⚠ ADVARSEL: Støjemissionen under den faktiske anvendelse af maskinen kan være forskellig fra de(n) angivne værdi(er), afhængigt af den måde hvorpå maskinen anvendes, især den type arbejdsemne der behandles.

⚠ ADVARSEL: Sørg for at identificere de sikkerhedsforskrifter til beskyttelse af operatøren, som er baseret på en vurdering af eksponering under de faktiske brugsforhold (med hensyntagen til alle dele i brugscyklussen, f.eks. de gange, hvor maskinen er slukket, og når den kører i tomgang i tilgift til afbrydertiden).

Vibration

Vibrationens totalværdi (tre-aksial vektorsum) bestemt i overensstemmelse med EN62841-2-10:

Model UT001G

Arbejdstilstand: brug uden belastning
Vibrationsemission (a_v): 2,5 m/s² eller mindre
Usikkerhed (K): 1,5 m/s²

Model UT002G

Arbejdstilstand: brug uden belastning
Vibrationsemission (a_v): 2,5 m/s² eller mindre
Usikkerhed (K): 1,5 m/s²

BEMÆRK: De(n) angivne totalværdi(er) for vibration er målt i overensstemmelse med en standardtestmetode og kan anvendes til at sammenligne en maskine med en anden.

BEMÆRK: De(n) angivne totalværdi(er) for vibration kan også anvendes i en præliminær eksponeringsvurdering.

⚠ ADVARSEL: Vibrationsemissionen under den faktiske anvendelse af maskinen kan være forskellig fra de(n) angivne værdi(er), afhængigt af den måde hvorpå maskinen anvendes, især den type arbejdsemne der behandles.

⚠ ADVARSEL: Sørg for at identificere de sikkerhedsforskrifter til beskyttelse af operatøren, som er baseret på en vurdering af eksponering under de faktiske brugsforhold (med hensyntagen til alle dele i brugscyklussen, f.eks. de gange, hvor maskinen er slukket, og når den kører i tomgang i tilgift til afbrydertiden).

EF-overensstemmelseserklæring

Kun for lande i Europa

EF-overensstemmelseserklæringen er inkluderet som Bilag A i denne brugsanvisning.

SIKKERHEDSADVARSLER

Almindelige sikkerhedsregler for el-værktøj

⚠ ADVARSEL: Læs alle de sikkerhedsadvarsler, instruktioner, illustrationer og specifikationer, der følger med denne maskine. Forsømmelse af at overholde alle nedenstående instruktioner kan medføre elektrisk stød, brand og/eller alvorlig personskade.

Gem alle advarsler og instruktioner til fremtidig reference.

Ordet "el-værktøj" i advarslerne henviser til det netforsynede (netledning) el-værktøj eller batteriforsynede (akku) el-værktøj.

Sikkerhedsadvarsler for akku blandemaskine

- Hold fast i maskinen med begge hænder på de tilsigtede håndtag.** Hvis herredømmet over maskinen mistes, kan det medføre tilskadekomst.
- Sørg for tilstrækkelig ventilation, når der blandes brændbare materialer, for at undgå dannelse af en farlig atmosfære.** Dampe, der udvikles, kan indåndes eller antændes af de gnister, som maskinen frembringer.
- Brug ikke til at blande fødevarer.** Maskiner og deres tilbehør er ikke beregnet til at behandle fødevarer.
- Sørg for, at blandebeholderen er placeret på fast og stabil overflade.** En beholder, der ikke er sikkert fastgjort, kan flytte sig uventet.
- Følg instruktionerne og advarslerne for materiale, der skal blandes.** Det materiale, der skal blandes, kan være skadeligt.
- Undlad at stikke hænderne ned i blandebeholderen eller at sætte andre genstande i den, mens der blandes.** Kontakt med blanderbladet kan medføre alvorlig personskade.
- Maskinen må kun startes og stoppes i blandebeholderen.** Blanderbladet kan blive bøjet eller rotere på ukontrolleret vis.
- Sørg for, at der ikke sprøjter væske på maskinens kabinet.** Væske, der trænger ind i maskinen, kan medføre beskadigelse af maskinen.
- Brug hjælpéhåndtagene, hvis sådanne følger med maskinen.** Hvis herredømmet mistes, kan det medføre personskade.
- Hold maskinen i de isolerede gribeblader, når der udføres et arbejde, hvor skæretilbehøret kan komme i kontakt med skjulte ledninger.** Skærende tilbehør, som kommer i kontakt med en strømførende ledning, kan bewirke, at udsatte metaldele på maskinen bliver strømførende, hvorved operatøren kan få elektrisk stød.
- Sørg altid for, at du har et godt fodfæste.** Sørg for, at der ikke befinder sig nogen under dig, når maskinen anvendes på højtliggende steder.

12. Hold godt fast i maskinen.
13. Hold hænderne på afstand af roterende dele.
14. Lad ikke maskinen ligge og køre. Brug kun maskinen, mens du holder fast i den.
15. Nogle materialer indeholder kemikalier, der kan være giftige. Sørg omhyggeligt for at undgå at indånde støv samt kontakt med huden. Følg materialeleverandørens sikkerhedsadvarsler.
16. Når der udføres blandeoperationer, skal blandebeholderen placeres på en flad og stabil overflade.
10. **De indbyggede litium-ion-batterier er underlagt lovkrav vedrørende farligt gods.**
Ved kommerciel transport, f.eks. af tredjeparts transportselskaber, skal særlige krav til forpakning og mærkning overholdes.
Ved forberedelse af udstyret til forsendelse skal du kontakte en ekspert i farligt gods. Overhold også eventuel mere detaljeret national lovgivning.
Tape eller tildæk åbne kontakter, og pak batteriet på en måde, så det ikke kan flytte sig rundt i pakningen.

GEM DISSE FORSKRIFTER.

⚠ ADVARSEL: LAD IKKE bekvemmelighed eller kendskab til produktet (opnået gennem gentagen brug) forhindre, at sikkerhedsforskrifterne for produktet nøje overholdes. MISBRUG eller forsømmelse af at følge de i denne brugsvejledning givne sikkerhedsforskrifter kan medføre alvorlig personskade.

Vigtige sikkerhedsinstruktioner for akkuen

1. Læs alle instruktioner og advarselmærkater på (1) akku-opladeren, (2) akkuen og (3) produktet, som anvender akku.
2. Adskil eller ændr ikke akkuen. Det kan muligvis resultere i en brand, overdreven varme eller eksplosion.
3. Hold straks op med anvendelsen, hvis brugstiden er blevet stærkt afkortet. Fortsat anvendelse kan resultere i risiko for overophedning, forbrændinger og endog eksplosion.
4. Hvis De har fået elektrolytvæske i øjnene, skal De straks skylle den ud med rent vand og derefter øjeblikkeligt søge lægehjælp. I modsat fald kan De miste synet.
5. Vær påpasselig med ikke at komme til at kortslutte akkuen:
 - (1) Rør ikke ved terminalerne med noget ledende materiale.
 - (2) Undgå at opbevare akkuen i en beholder sammen med andre genstande af metal, for eksempel søm, mønter og lignende.
 - (3) Udsæt ikke akkuen for vand eller regn. Kortslutning af akkuen kan forårsage en kraftig øgning af strømmen, overophedning, mulige forbrændinger og endog værktøjstjop.
6. Opbevar og brug ikke maskinen og akkuen på steder, hvor temperaturen muligvis kan nå eller overstige 50 °C.
7. Lad være med at brænde akkuen, selv ikke i tilfælde, hvor den har lidt alvorlig skade eller er fuldstændig udtjent. Akkuen kan eksplodere, hvis man forsøger at brænde den.
8. Slå ikke søm i, skær ikke i, knus, kast, tab ikke akkuen og stød ikke akkuen mod en hård genstand. Sådan adfærd kan muligvis resultere i en brand, overdreven varme eller eksplosion.
9. Anvend ikke en beskadiget akku.
11. Når akkuen bortskaffes, skal du fjerne den fra maskinen og bortskaffe den på et sikkert sted. Følg de lokale love vedrørende bortskaffelsen af batterier.
12. Brug kun batterierne med de produkter, som Makita specificerer. Hvis batterierne installeres i ikke-kompatible produkter, kan det medføre brand, kraftig varme, eksplosion eller udsivning af elektrolyt.
13. Hvis maskinen ikke skal bruges i længere tid ad gangen, skal du fjerne batteriet fra maskinen.
14. Akkuen kan muligvis under og efter brug være varm, hvilket kan forårsage forbrændinger eller lavtemperaturforbrændinger. Vær påpasselig med håndtering af varme akkuer.
15. Rør ikke terminalen på maskinen straks efter brug, da den bliver varm nok til at forårsage forbrændinger.
16. Sørg for, at spåner, støv eller jord ikke sætter sig fast i akkuens terminaler, huller og riller. Det kan forårsage opvarmning, antændelse, sprængning og funktionsfejl i maskinen eller akkuen, hvilket kan medføre forbrændinger eller personskade.
17. Medmindre maskinen understøtter brugen i nærheden af elektriske højspændingsledninger, skal du ikke anvende akkuen i nærheden af elektriske højspændingsledninger. Det kan muligvis medføre funktionsfejl på eller nedbrud af maskinen eller akkuen.
18. Opbevar batteriet utilgængeligt for børn.

GEM DENNE BRUGSANVISNING.

⚠ FORSIGTIG: Brug kun originale batterier fra Makita. Brug af uoriginale Makita-batterier, eller batterier som er blevet ændret, kan muligvis medføre brud på batteriet, hvilket kan forårsage brand, personskade eller beskadigelse. Det ugyldiggør også Makita-garantien for Makita-maskinen og opladeren.

Tips til opnåelse af maksimal akku-levetid

1. Oplad akkuen, inden den er helt afladet. Stop altid værktøjet, og oplad akkuen, hvis De bemærker, at værktøjeffekten er aftagende.
2. Genoplad aldrig en fuldt opladet akku. Overopladning vil afkorte akkuens levetid.
3. Oplad akkuen ved stuetemperatur ved 10 °C - 40 °C. Lad altid en varm akku få tid til at køle af, inden den oplades.
4. Når du ikke anvender akkuen, skal du fjerne den fra maskinen eller opladeren.
5. Oplad akkuen, hvis De ikke skal bruge den i længere tid (mere end seks måneder).

BESKRIVELSE AF DELE

Model UT001G

► Fig.1

1	Afbryderknap	2	Lås fra-knap
3	Låseknap	4	Justeringsdrejeknap for hastighed
5	Hastighedsvælgerknap	6	Batteridæksel
7	Håndtag	8	Akselholder
9	Aksel	10	Blanderblad

Model UT002G

► Fig.2















1	Afbryderknap	2	Lås fra-knap
3	Låseknap	4	Justeringsdrejeknap for hastighed
5	Hastighedsvælgerknap	6	Batteridæksel
7	Håndtag	8	Patron

FORBEREDELSE FØR BRUG

Indikation af den resterende batteriladning

Tryk på kontrolknappen på akkuen for at få vist den resterende batteriladning. Indikatorlampen lyser i nogle sekunder.

► Fig.3: 1. Indikatorlamper 2. Kontrolknap

Indikatorlamper			Resterende ladning
 Tændt	 Slukket	 Blinker	
			75% til 100%
			50% til 75%
			25% til 50%
			0% til 25%
			Genoplad batteriet.
			Der er muligvis fejl i batteriet.

BEMÆRK: Afhængigt af brugsforholdene og den omgivende temperatur kan indikationen afvige en smule fra den faktiske ladning.

BEMÆRK: Den første indikatorlampe (længst mod venstre) vil blinke, når batteribeskyttelsessystemet aktiveres.

Ting, du skal vide før brug

Hold fast i håndtaget, når maskinen bruges eller bæres.

► Fig.4

⚠FORSIGTIG: Undlad at holde fast i metalpladedelen. Skarpe områder kan forårsage personskade.

Beskyttelsessystem til værktøj/batteri

Maskinen er udstyret med et beskyttelsessystem til maskinen/batteriet. Dette system afbryder automatisk strømmen til motoren for at forlænge maskinens og batteriets levetid. Maskinen stopper automatisk under brugen, hvis maskinen eller batteriet udsættes for et af følgende forhold:

Overbelastningsbeskyttelse

Hvis maskinen/batteriet bruges på en måde, der får den/det til at trække en unormalt høj strøm, stopper maskinen automatisk. Sluk i så fald for værktøjet, og stop den anvendelse, der bevirkede, at værktøjet blev overbelastet. Tænd derefter for værktøjet for at starte igen.

Beskyttelse mod overophedning

Hvis maskinen/batteriet er overophedet, stopper maskinen automatisk. Lad i så fald maskinen/batteriet køle ned, før der tændes for maskinen igen.

Beskyttelse mod afladning

Når batteriladningen bliver for lav, stopper værktøjet automatisk. Hvis produktet ikke fungerer, selvom kontakterne betjenes, skal De tage batterierne ud af værktøjet og lade batterierne op.

SÅDAN BRUGES DEN

⚠FORSIGTIG: Sørg altid for at maskinen er slukket, og at akkuen er taget ud, før der udføres noget arbejde på maskinen.

BEMÆRKNING: Når du ikke arbejder, skal du lægge maskinen ned og opbevare den.

► Fig.5

Samling

Montering af akslen

Ekstraudstyr

For UT001G

1. Tilspænd akslen ind i akselholderen.

► Fig.6: 1. Aksel 2. Akselholder

2. Hold fladerne på akselholderen med nøgle 19, så akselholderen ikke kan dreje. Mens fladerne holdes fast, skal du tilspænde sekskantmøtrikken med en anden nøgle 19 i pilens retning.

► Fig.7: 1. Aksel 2. Akselholder

For UT002G

1. Sæt akslen ind i patronen, så langt som den kan komme.
▶ **Fig.8:** 1. Aksel 2. Patron
2. Tilspænd patronen med hånden, og sæt derefter patronnøglen i hvert af de tre huller, og tilspænd den med uret. Sørg for at tilspænde patronnøglen jævnt i alle tre huller.
▶ **Fig.9:** 1. Patronnøgle 2. Patron
3. For at afmontere akslen skal du dreje patronnøglen mod uret ved et af hullerne, og derefter løsne patronen med hånden.
4. Når patronnøglen ikke er i brug, skal du opbevare den som vist på figuren for at forhindre, at den går tabt.
▶ **Fig.10:** 1. Patronnøgle

Montering af blanderbladet

Ekstraudstyr

Sæt blanderbladet ind i akslen, og fastgør den med sekskantbolten. På dette tidspunkt skal du placere den, så den øverste ende af sekskantbolten altid passer til akslens flade overflade og tilspænd sekskantbolten med den medfølgende nøgle.

- ▶ **Fig.11:** 1. Sekskantbolt 2. Aksel 3. Flad overflade
4. Blanderblad

Når du monterer blanderbladene i to forskellige positioner, skal du montere og fastgøre de to blanderblade på den flade del af akslen med sekskantboltene, så den samme overflade på blanderbladene vender mod hinanden som vist på figuren.

- ▶ **Fig.12:** 1. Sekskantbolt 2. Aksel 3. Flad overflade
4. Blanderblad

BEMÆRK: Spørg det lokale Makita-servicecenter om, hvilke blanderblade der er tilladt.

Isætning eller fjernelse af akkuen

⚠FORSIGTIG: Sluk altid for maskinen, før du monterer eller afmonterer akkuen.

⚠FORSIGTIG: Hold værktøjet og akkuen fast ved montering eller fjernelse af akkuen. Hvis De ikke holder værktøjet og akkuen fast, kan de glide ud af hænderne på Dem og forårsage beskadigelse af værktøjet og akkuen eller personskaade.

⚠FORSIGTIG: Undlad at bruge denne maskine sammen med batteriadapteren. Hvis du tilslutter batteriadapteren til maskinen, kan batteridækslet ikke lukkes, og brug af maskinen med batteridækslet åbent kan forårsage personskaade.

⚠FORSIGTIG: Pas på ikke at få fingrene i klemme, når du åbner eller lukker batteridækslet.

BEMÆRKNING: Monter et batteridæksel, der passer til batteriets størrelse.

Åbn batteridækslet, mens du trykker på knappen på batteridækslet.

- ▶ **Fig.13:** 1. Knap 2. Batteridæksel

Akkuen fjernes ved, at De trækker den ud af værktøjet, idet De skyder knappen på forsiden af akkuen i stilling.

- ▶ **Fig.14:** 1. Rød indikator 2. Knap 3. Akku

For at montere akkuen skal du justere tungen på akkuen med rillen i huset og skubbe den på plads. Indsæt den hele vejen, indtil den låses på plads med et lille klik. Hvis du kan se den røde indikator, som vist i figuren, er den ikke helt låst.

Når du har monteret akkuen, skal du lukke batteridækslet forsvarligt.

⚠FORSIGTIG: Monter altid akkuen helt, indtil den røde indikator ikke længere er synlig. Hvis dette ikke gøres, kan den falde ud af værktøjet ved et uheld, hvorved De selv eller personer i nærheden kan komme til skade.

⚠FORSIGTIG: Brug ikke magt ved montering af akkuen. Hvis akkuen ikke glider på plads uden problemer, betyder det, at den ikke sættes i på korrekt vis.

Afbryderbetjening

⚠ADVARSEL: Før du monterer akkuen i maskinen, skal du altid sikre dig, at afbryderknappen aktiveres korrekt og vender tilbage til "FRA"-positionen, når den trykkes helt ind og slippes.

⚠ADVARSEL: UNDLAD at sætte lås fra-knappen ud af kraft ved at tape den fast eller på nogen anden måde. En afbryder med en blokeret lås fra-knap kan resultere i utilsigtet anvendelse og alvorlig personskaade.

⚠ADVARSEL: UNDLAD at bruge maskinen, hvis den kører, når du blot trykker på afbryderknappen uden at trykke på lås fra-knappen. En afbryder med behov for reparation kan resultere i utilsigtet anvendelse og alvorlig personskaade. Returnér maskinen til et Makita-servicecenter for korrekt reparation FØR yderligere brug.

⚠ADVARSEL: Undlad at montere akkuen med låseknappen aktiveret.

For at forhindre, at afbryderknappen trykkes ned ved et uheld, er maskinen udstyret med en lås fra-knap. For at starte maskinen skal du trykke lås fra-knappen ned og trykke på afbryderknappen.

Maskinens hastighed øges ved at øge trykket på afbryderknappen. Slip afbryderknappen for at stoppe.

For kontinuerlig anvendelse skal du trykke låseknappen ned, mens du trykker på afbryderknappen, og derefter slipper afbryderknappen. For at stoppe maskinen skal du trykke afbryderknappen helt ind og derefter slippe den.

- ▶ **Fig.15:** 1. Afbryderknap 2. Lås fra-knap
3. Låseknapp

Anvendelse af hastighedsvælgerknop

BEMÆRKNING: Brug kun hastighedsvælgerknappen, efter at maskinen er helt stoppet. Hvis du ændrer maskinens hastighedstilstand, før maskinen stopper, kan det beskadige maskinen.

BEMÆRKNING: Sæt altid hastighedsvælgerknappen omhyggeligt i den korrekte position. Hvis du anvender maskinen med hastighedsvælgerknappen placeret halvvejs mellem position 1 og position 2, kan maskinen blive beskadiget.

BEMÆRKNING: Hvis rotationshastigheden falder betydeligt under anvendelse i højhastighedstilstanden, skal du stoppe maskinen og ændre tilstanden til lavhastighedstilstanden. Ellers kan motoren blive overbelastet og forårsage en fejlfunktion eller brand.

Der kan vælges to hastighedsområder på forhånd med hastighedsvælgerknappen.

Vælg den korrekte hastighedstilstand for det materiale, der skal blandes.

For at ændre hastighedstilstanden skal du dreje hastighedsvælgerknappen, så markøren peger på prikken i position 1 for lavhastighedstilstand eller prikken i position 2 for højhastighedstilstand.

► **Fig.16:** 1. Markør 2. Hastighedsvælgerknop 3. Prik

Anvendelse af justeringsdrejeknap for hastighed

Maskinens hastighed kan justeres trinløst ved at dreje på justeringsdrejeknappen for hastighed. Hastigheden uden belastning, når afbryderknappen er trykket helt ind, kan justeres 270 min⁻¹ til 500 min⁻¹ ved lavhastighedstilstand, 500 min⁻¹ til 920 min⁻¹ ved højhastighedstilstand. Højere hastighed opnås, når drejeknappen drejes i retning af nummer 5; lavere hastighed opnås, når den drejes i retning af nummer 1.

Vælg den korrekte hastighed for det materiale, der skal blandes.

► **Fig.17:** 1. Justeringsdrejeknap for hastighed

BEMÆRKNING: Justeringsdrejeknappen for hastighed kan kun drejes så langt som til 5 og tilbage til 1. Undlad at tvinge den forbi 5 eller 1.

Forebyggende funktion ved utilsigtet genstart

Hvis du monterer akkuen, mens du trykker på afbryderknappen eller låser afbryderknappen, starter maskinen ikke. For at starte maskinen skal du slippe afbryderknappen og derefter trykke på afbryderknappen.

Elektronisk funktion

Maskinen er udstyret med den følgende elektroniske funktion for nem anvendelse.

Blød start

Funktionen til blød start minimerer startstød og får maskinen til at starte problemfrit.

Grundlæggende anvendelse

⚠FORSIGTIG: Undlad at blande brændbare materialer, eller at anvende maskinen omkring brændbare materialer såsom maling med fortyndere, der bruges som opløsningsmiddel. Hvis du ikke gør det, kan det forårsage personskade.

⚠FORSIGTIG: Undlad at blande materiale med høj viskositet i højhastighedstilstand. Du kan miste kontrollen over maskinen og forårsage personskade.

⚠FORSIGTIG: Undlad at dreje blanderbladet uden for omrøringsbeholderen.

⚠FORSIGTIG: Hvis du hører unormal støj under anvendelse, skal du slukke for afbryderen og stoppe med at anvende maskinen.

BEMÆRKNING: Når du blander materialet, mens blanderbladet kommer uden for materialet, skal du passe på ikke at sprøjte med materialet.

BEMÆRKNING: Undlad at bruge maskinen til andre formål end omrøring af mørtel, beton osv.

1. Vælg højhastighedstilstand eller lavhastighedstilstand i overensstemmelse med det materiale, der skal blandes.
2. Hold godt fast i maskinen med begge hænder. Placér blanderbladet helt under materialet. Kontrollér, at materialet ikke er størknet, og at arbejdsstedet er sikkert, og tænd derefter for maskinen.
3. Flyt blanderbladet op og ned under blandingen, så hele materialet kan blandes.
4. Når du er færdig med at blande, skal du slukke for maskinen. Sørg for, at blanderbladet er stoppet helt, og træk det derefter ud af blandebeholderen.

Anvendte handlinger

⚠FORSIGTIG: Sørg altid for at maskinen er slukket, og at akkuen er taget ud, før der udføres justering eller kontrol af funktioner på maskinen.

Udskiftning af batteridæksel

Ekstraudstyr

Monter ét af batteridækslerne, så det passer til størrelsen på akkuen.

► **Fig.18:** 1. Batteridæksel S 2. Batteridæksel L 3. Knap

1. Åbn det standardmonterede batteridæksel, mens du trykker på knappen på batteridækslet.
2. Løsn den skrue, der fastgør det standardmonterede batteridæksel. Afmonter derefter skruen, muffen og batteridækslet.

► **Fig.19:** 1. Skrue 2. Muffe 3. Batteridæksel (standardmonteret)

BEMÆRK: Muffen kan forblive i monteringshullerne. I så fald skal du trække den ud ved hjælp af en skrue eller lignende.

3. Justér monteringshullet på det valgfrie batteridæksel med monteringshulerne på huset. Sæt muffen i. Tilspænd derefter skrueerne for at fastgøre den på plads.

► **Fig.20:** 1. Skrue 2. Muffe 3. Batteridæksel (ekstraudstyr)

4. Luk batteridækslet forsvarligt.

Montering eller afmontering af akselholderen

landespecifik

For UT001G

Montér en af akselholderne, der fås som ekstraudstyr, så den passer til skruestørrelsen på akslen.

► **Fig.21:** 1. M12 akselholder 2. M14 akselholder

Mens du holder spindlen med en nøgle, skal du løsne akselholderen med en anden nøgle.

► **Fig.22:** 1. Akselholder 2. Nøgle 3. Spindel

For at montere akselholderen skal du udføre afmonteringsproceduren i omvendt rækkefølge.

For UT002G

1. Sæt sekskantnøglen ind i patronen, og løsn derefter patronen med sekskantnøglen, mens du holder spindlen fast med nøglen.

► **Fig.23:** 1. Sekskantnøgle 2. Patron 3. Nøgle 4. Spindel

2. Tilspænd akselholderen med en nøgle, mens du holder spindlen med en anden nøgle.

► **Fig.24:** 1. Akselholder 2. Nøgle 3. Spindel

Håndtering efter anvendelse

Brug en våd klud eller lignende til forsigtigt at tørre det materiale af, der er tilbage på maskinen efter anvendelse. Der skal udvises ekstra omhu ved grundig rengøring af ventilationsåbningerne, området omkring afbryderen, åbninger i dækslet osv.

BEMÆRKNING: Undgå at rengøre maskinen i vand. Vand trænger ind i motorhuset og forårsager motorfejl.

VEDLIGEHODELSE

⚠FORSIGTIG: Vær altid sikker på, at værktøjet er slukket, og at akkuen er taget ud, inden De begynder at udføre inspektion eller vedligeholdelse.

BEMÆRKNING: Anvend aldrig benzin, rensebenzin, fortynder, alkohol og lignende. Det kan medføre misfarvning, deformation eller revner.

For at opretholde produktets SIKKERHED og PALIDELIGHED må reparationer, enhver anden vedligeholdelse eller justering kun udføres af et autoriseret Makita servicecenter eller fabrikksservicecenter med anvendelse af Makita reservedele.

Fejlfinding

Tjek følgende punkter, før du beder om reparation.

1. Sluk for maskinen, og tænd den igen for at genstarte.
2. Oplad batteriet/batterierne eller udskift det/dem med genopladet/genopladede batteri/batterier.
3. Lad maskinen og batteriet/batterierne køle af.

Hvis der ikke kan findes nogen forbedring ved at gen-danne beskyttelsessystemet, skal det lokale Makita-servicecenter kontaktes.

EKSTRAUDSTYR

⚠FORSIGTIG: Det følgende tilbehør og ekstraudstyr er anbefalet til brug med Deres Makita maskine, der er beskrevet i denne brugsanvisning. Anvendelse af andet tilbehør eller ekstraudstyr kan udgøre en risiko for personskade. Anvend kun tilbehør og ekstraudstyr til det beskrevne formål.

Hvis De behøver hjælp ved valg af tilbehør eller ønsker yderligere informationer, bedes De kontakte Deres lokale Makita servicecenter.

- Blanderblad
- Aksel
- Batteridæksel
- Original Makita akku og oplader

BEMÆRK: Nogle ting på denne liste kan være inkluderet i værktøjsspakken som standardtilbehør. Det kan være forskellige fra land til land.

ΠΡΟΔΙΑΓΡΑΦΕΣ

Μοντέλο:		UT001G	UT002G
Ταχύτητα χωρίς φορτίο	Τρόπος λειτουργίας υψηλής ταχύτητας	0 - 920 min ⁻¹	
	Τρόπος λειτουργίας χαμηλής ταχύτητας	0 - 500 min ⁻¹	
Μέγιστη διάμετρος πτερυγίου ανάδευσης		240 mm	
Ολικό μήκος (χωρίς άξονα και πτερύγιο ανάδευσης)	με κάλυμμα μπαταριών S	373 mm	363 mm
	με κάλυμμα μπαταριών L	412 mm	403 mm
Ονομαστική τάση		D.C. 36 V - 40 V μεγ.	
Καθαρό βάρος		5,7 - 7,0 kg	5,8 - 7,2 kg

- Λόγω του συνεχιζόμενου προγράμματος έρευνας και ανάπτυξης, οι προδιαγραφές αυτές υπόκεινται σε αλλαγές χωρίς προειδοποίηση.
- Οι προδιαγραφές και η κασέτα μπαταριών μπορεί να διαφέρουν ανάλογα με τη χώρα.
- Το βάρος μπορεί να διαφέρει ανάλογα με τα προσαρτήματα, συμπεριλαμβάνοντας την κασέτα μπαταριών. Ο ελαφρύτερος και ο βαρύτερος συνδυασμός, σύμφωνα με τη διαδικασία ΕΡΤΑ 01/2014, παρουσιάζονται στον πίνακα.

Ισχύουσα κασέτα μπαταριών και φορτιστής




Κασέτα μπαταρίας	BL4020 / BL4025 / BL4040* / BL4050F* / BL4080F* * : Συνιστώμενη μπαταρία
Φορτιστής	DC40RA / DC40RB / DC40RC

- Ορισμένες από τις κασέτες και τους φορτιστές μπαταριών που αναγράφονται παραπάνω ίσως να μην είναι διαθέσιμοι, ανάλογα με την τοποθεσία κατοικίας σας.

▲ ΠΡΟΕΙΔΟΠΟΙΗΣΗ: Να χρησιμοποιείτε μόνο τις κασέτες μπαταριών και τους φορτιστές που παρατίθενται ανωτέρω. Η χρήση οποιασδήποτε άλλης κασέτας μπαταριών ή φορτιστή μπορεί να προκαλέσει τραυματισμό ή/και πυρκαγιά.

Σύμβολα

Παρακάτω παρουσιάζονται τα σύμβολα που μπορούν να χρησιμοποιηθούν για τον εξοπλισμό. Βεβαιωθείτε ότι κατανοείτε τη σημασία τους πριν από τη χρήση.

	Διαβάστε το εγχειρίδιο οδηγιών.
	Μην χρησιμοποιείτε το εργαλείο όταν βρέχει.
	Μην καθαρίζετε το εργαλείο με νερό.



Μόνο για τις χώρες της ΕΕ
Λόγω της παρουσίας των επικίνδυνων συστατικών μερών στον εξοπλισμό, ο απόβλητος ηλεκτρικός και ηλεκτρονικός εξοπλισμός, οι συσσωρευτές και οι μπαταρίες μπορεί να έχουν αρνητική επίδραση στο περιβάλλον και την ανθρώπινη υγεία. Μην απορρίπτετε τις ηλεκτρικές και ηλεκτρονικές συσκευές ή μπαταρίες μαζί με τα οικιακά απορρίμματα!
Σύμφωνα με την Ευρωπαϊκή Οδηγία για τον απόβλητο ηλεκτρικό και ηλεκτρονικό εξοπλισμό και για τους συσσωρευτές και μπαταρίες και τους απόβλητους συσσωρευτές και μπαταρίες, καθώς και την προσαρμογή τους στην εθνική νομοθεσία, ο απόβλητος ηλεκτρικός εξοπλισμός, οι μπαταρίες και οι συσσωρευτές θα πρέπει να αποθηκεύονται ξεχωριστά και να παραδίδονται σε ξεχωριστό σημείο συλλογής για δημοτικά απόβλητα, το οποίο λειτουργεί σύμφωνα με τους κανονισμούς για την προστασία του περιβάλλοντος.
Αυτό υποδεικνύεται από το σύμβολο του διαγραμμένου τροχοφόρου κάδου που βρίσκεται αναρτημένο επάνω στον εξοπλισμό.

Προοριζόμενη χρήση

Το εργαλείο προορίζεται για την ανάδευση υλικών για κατασκευή τοίχων, κτλ. (εξαιρούνται τα εύφλεκτα υλικά).

Θόρυβος

Το τυπικό Α επίπεδο καταμετρημένου θορύβου καθορίζεται σύμφωνα με το EN62841-2-10:

Μοντέλο UT001G

Στάθμη ηχητικής πίεσης (L_{pA}): 81 dB (A)

Στάθμη ηχητικής ισχύος (L_{WA}): 92 dB (A)

Αβεβαιότητα (K): 3 dB (A)

Μοντέλο UT002G

Στάθμη ηχητικής πίεσης (L_{pA}): 81 dB (A)

Στάθμη ηχητικής ισχύος (L_{WA}): 92 dB (A)

Αβεβαιότητα (K): 3 dB (A)

ΠΑΡΑΤΗΡΗΣΗ: Η δηλωμένη τιμή(ές) εκπομπής θορύβου έχει μετρηθεί σύμφωνα με την πρότυπη μέθοδο δοκιμής και μπορεί να χρησιμοποιηθεί για τη σύγκριση ενός εργαλείου με κάποιο άλλο.

ΠΑΡΑΤΗΡΗΣΗ: Η δηλωμένη τιμή(ές) εκπομπής θορύβου μπορεί να χρησιμοποιηθεί και στην προκαταρκτική αξιολόγηση της έκθεσης.

⚠️ ΠΡΟΕΙΔΟΠΟΙΗΣΗ: Να φοράτε ωτοασπίδες.

⚠️ ΠΡΟΕΙΔΟΠΟΙΗΣΗ: Η εκπομπή θορύβου κατά τη χρήση του ηλεκτρικού εργαλείου σε πραγματικές συνθήκες μπορεί να διαφέρει από τη δηλωμένη τιμή(ές) ανάλογα με τους τρόπους χρήσης του εργαλείου, ιδιαίτερα το είδος του τεμαχίου εργασίας που υπόκειται επεξεργασία.

⚠️ ΠΡΟΕΙΔΟΠΟΙΗΣΗ: Φροντίστε να λάβετε τα κατάλληλα μέτρα προστασίας του χειριστή βάσει ενός υπολογισμού της έκθεσης σε πραγματικές συνθήκες χρήσης (λαμβάνοντας υπόψη όλες τις συνιστώσες του κύκλου λειτουργίας όπως τους χρόνους που το εργαλείο είναι εκτός λειτουργίας και όταν βρίσκεται σε αδρανή λειτουργία πέραν του χρόνου ενεργοποίησης).

Κραδασμός

Η ολική τιμή δόνησης (άθροισμα τρι-αξονικού διανύσματος) καθορίζεται σύμφωνα με το EN62841-2-10:

Μοντέλο UT001G

Είδος εργασίας: λειτουργία χωρίς φορτίο

Εκπομπή δόνησης (a_w): 2,5 m/s^2 ή λιγότερο

Αβεβαιότητα (K): 1,5 m/s^2

Μοντέλο UT002G

Είδος εργασίας: λειτουργία χωρίς φορτίο

Εκπομπή δόνησης (a_w): 2,5 m/s^2 ή λιγότερο

Αβεβαιότητα (K): 1,5 m/s^2

ΠΑΡΑΤΗΡΗΣΗ: Η δηλωμένη τιμή(ές) συνολικών κραδασμών έχει μετρηθεί σύμφωνα με την πρότυπη μέθοδο δοκιμής και μπορεί να χρησιμοποιηθεί για τη σύγκριση ενός εργαλείου με κάποιο άλλο.

ΠΑΡΑΤΗΡΗΣΗ: Η δηλωμένη τιμή(ές) συνολικών κραδασμών μπορεί να χρησιμοποιηθεί και στην προκαταρκτική αξιολόγηση της έκθεσης.

⚠️ ΠΡΟΕΙΔΟΠΟΙΗΣΗ: Η εκπομπή κραδασμών κατά τη χρήση του ηλεκτρικού εργαλείου σε πραγματικές συνθήκες μπορεί να διαφέρει από τη δηλωμένη τιμή(ές) εκπομπής ανάλογα με τους τρόπους χρήσης του εργαλείου, ιδιαίτερα το είδος του τεμαχίου εργασίας που υπόκειται επεξεργασία.

⚠️ ΠΡΟΕΙΔΟΠΟΙΗΣΗ: Φροντίστε να λάβετε τα κατάλληλα μέτρα προστασίας του χειριστή βάσει ενός υπολογισμού της έκθεσης σε πραγματικές συνθήκες χρήσης (λαμβάνοντας υπόψη όλες τις συνιστώσες του κύκλου λειτουργίας όπως τους χρόνους που το εργαλείο είναι εκτός λειτουργίας και όταν βρίσκεται σε αδρανή λειτουργία πέραν του χρόνου ενεργοποίησης).

Δήλωση συμμόρφωσης EK

Μόνο για χώρες της Ευρώπης

Η δήλωση συμμόρφωσης EK περιλαμβάνεται ως Παράρτημα Α στο παρόν εγχειρίδιο οδηγιών.

ΠΡΟΕΙΔΟΠΟΙΗΣΕΙΣ ΑΣΦΑΛΕΙΑΣ

Γενικές προειδοποιήσεις ασφαλείας για το ηλεκτρικό εργαλείο

⚠️ ΠΡΟΕΙΔΟΠΟΙΗΣΗ: Διαβάστε όλες τις προειδοποιήσεις ασφάλειας, οδηγίες, εικονογραφήσεις και προδιαγραφές που παρέχονται με αυτό το ηλεκτρικό εργαλείο. Η μη τήρηση όλων των οδηγιών που αναγράφονται κατωτέρω μπορεί να καταλήξει σε ηλεκτροπληξία, πυρκαγιά ή/και σοβαρό τραυματισμό.

Φυλάξτε όλες τις προειδοποιήσεις και τις οδηγίες για μελλοντική παραπομπή.

Στις προειδοποιήσεις, ο όρος «ηλεκτρικό εργαλείο» αναφέρεται σε ηλεκτρικό εργαλείο που τροφοδοτείται από την κύρια παροχή ηλεκτρικού ρεύματος (με ηλεκτρικό καλώδιο) ή σε ηλεκτρικό εργαλείο που τροφοδοτείται από μπαταρία (χωρίς ηλεκτρικό καλώδιο).

Προειδοποιήσεις ασφάλειας για τον φορητό αναδευτήρα

1. **Κρατάτε το εργαλείο με τα δύο χέρια από τις ενδεδειγμένες λαβές.** Η απώλεια του ελέγχου μπορεί να προκαλέσει προσωπικό τραυματισμό.
2. **Εξασφαλίστε επαρκή εξορισμό κατά την ανάδευση εύφλεκτων υλικών, ώστε να αποφεύγετε ο σχηματισμός επικίνδυνης ατμόσφαιρας.** Ο ατμός που σχηματίζεται μπορεί να εισπνευθεί ή να αναφλεγεί από τους σπινθήρες που παράγει το ηλεκτρικό εργαλείο.
3. **Μην αναδεύετε τρόφιμα.** Τα ηλεκτρικά εργαλεία και τα εξαρτήματά τους δεν έχουν σχεδιαστεί για την επεξεργασία τροφίμων.

Σημαντικές οδηγίες ασφάλειας για κασέτα μπαταριών

4. Βεβαιωθείτε ότι το δοχείο ανάδευσης έχει τοποθετηθεί σε μια σταθερή και ασφαλή θέση. Ένα δοχείο που δεν είναι σωστά στερεωμένο μπορεί να μετακινηθεί απρόσμενα.
5. Ακολουθήστε τις οδηγίες και προειδοποιήσεις για το υλικό προς ανάδευση. Τα υλικά που αναδεύονται μπορεί να είναι επιβλαβή.
6. Μην βάζετε τα χέρια σας μέσα στο δοχείο ανάδευσης και μην τοποθετείτε άλλα αντικείμενα μέσα σε αυτό ενώ γίνεται ανάδευση. Η επαφή με το περυσίο ανάδευσης μπορεί να οδηγήσει σε σοβαρό προσωπικό τραυματισμό.
7. Εκκινήστε και σταματήστε το εργαλείο μόνο μέσα στο δοχείο ανάδευσης. Το περυσίο ανάδευσης μπορεί να λυγίσει ή να περιστραφεί με ανεξέλεγκτο τρόπο.
8. Βεβαιωθείτε ότι δεν πετάγετε υγρό επάνω στο περίβλημα του ηλεκτρικού εργαλείου. Αν δισιδύσει υγρό μέσα στο ηλεκτρικό εργαλείο, μπορεί να προκληθεί ζημιά στο εργαλείο.
9. Να χρησιμοποιείτε βοηθητικές λαβές, εάν παρέχονται με το εργαλείο. Η απύλεια ελέγχου μπορεί να προκαλέσει προσωπικό τραυματισμό.
10. Να κρατάτε το ηλεκτρικό εργαλείο από τις μονωμένες επιφάνειες λαβής όταν εκτελείτε εργασίες κατά τις οποίες το εξάρτημα κοπής μπορεί να έρθει σε επαφή με κρυμμένα καλώδια. Σε περίπτωση επαφής του εξαρτήματος κοπής με ηλεκτροφόρο καλώδιο, μπορεί τα εκθειμένα μεταλλικά εξαρτήματα του ηλεκτρικού εργαλείου να καταστούν τα ίδια ηλεκτροφόρα και να προκαλέσουν ηλεκτροπληξία στο χειριστή.
11. Να φροντίζετε πάντα να στέκεστε σταθερά. Βεβαιωθείτε ότι δεν υπάρχει άτομο ακριβώς από κάτω, όταν χρησιμοποιείτε το ηλεκτρικό εργαλείο σε υψηλά σημεία.
12. Να κρατάτε το εργαλείο σταθερά.
13. Να διατηρείτε τα χέρια σας μακριά από τα περιστρεφόμενα μέρη.
14. Μην αφήνετε το εργαλείο σε λειτουργία. Η λειτουργία του εργαλείου πρέπει να γίνεται μόνο ενώ το κρατάτε.
15. Μερικά υλικά περιέχουν χημικές ουσίες που μπορεί να είναι τοξικές. Να προσέχετε ώστε να αποφεύγετε την εισπνοή σκόνης και την επαφή με το δέρμα. Τηρήστε τις προειδοποιήσεις ασφάλειας του προμηθευτή του υλικού.
16. Όταν εκτελείτε την εργασία ανάδευσης, να τοποθετείτε το δοχείο ανάδευσης σε μια επίπεδη και σταθερή επιφάνεια.

ΦΥΛΑΞΕΤΕ ΑΥΤΕΣ ΤΙΣ ΟΔΗΓΙΕΣ.

▲ΠΡΟΕΙΔΟΠΟΙΗΣΗ: ΜΗΝ επιτρέψετε στην άνεση ή στην εξοικειώσή σας με το προϊόν (που αποκτήθηκε από επανειλημμένη χρήση) να αντικαταστήσει την αυστηρή τήρηση των κανόνων ασφαλείας του παρόντος εργαλείου. Η **ΛΑΝΘΑΣΜΕΝΗ ΧΡΗΣΗ** ή η αμέλεια να ακολουθήσετε τους κανόνες ασφάλειας που διατυπώνονται στο παρόν εγχειρίδιο οδηγιών μπορεί να προκαλέσει σοβαρό προσωπικό τραυματισμό.

1. Πριν χρησιμοποιήσετε την κασέτα μπαταριών, διαβάστε όλες τις οδηγίες και σημειώσεις προφύλαξης (1) στον φορτιστή μπαταριών, (2) στην μπαταρία και (3) στο προϊόν που χρησιμοποιείτε την μπαταρία.
2. Μην αποσυναρμολογήσετε ή παραβιάσετε την κασέτα μπαταριών. Μπορεί να έχει ως αποτέλεσμα πυρκαγιά, υπερθέρμανση ή έκρηξη.
3. Εάν ο χρόνος λειτουργίας έχει γίνει υπερβολικά βραχύς, σταματήστε τη λειτουργία αμέσως. Αλλιώς, μπορεί να έχει ως αποτέλεσμα κίνδυνο υπερθέρμανσης, πιθανά εγκαύματα ή ακόμη και έκρηξη.
4. Εάν ηλεκτρολύτης μπει στα μάτια σας, ξεπλύνετε τα με καθαρό νερό και ζητήστε ιατρική φροντίδα αμέσως. Αλλιώς, μπορεί να έχει ως αποτέλεσμα απώλεια της όρασης σας.
5. Μην βραχυκυκλώνετε την κασέτα μπαταριών:
 - (1) Μην αγγίζετε τους πόλους με οτιδήποτε αγώγιμο υλικό.
 - (2) Αποφεύγετε να αποθηκεύετε την κασέτα μπαταριών μέσα σε ένα δοχείο μαζί με άλλα μεταλλικά αντικείμενα όπως καρφιά, νομίσματα, κλπ.
 - (3) Μην εκθέτετε την κασέτα μπαταριών στο νερό ή στη βροχή.Ένα βραχυκύκλωμα μπαταρίας μπορεί να προκαλέσει μεγάλη ροή ρεύματος, υπερθέρμανση, πιθανά εγκαύματα ακόμη και σοβαρή βλάβη.
6. Μην αποθηκεύετε και μην χρησιμοποιείτε το εργαλείο και την κασέτα μπαταριών σε τοποθεσίες όπου η θερμοκρασία μπορεί να φτάσει ή να ξεπεράσει τους 50 °C.
7. Μην καίτε την κασέτα μπαταριών ακόμη και εάν έχει σοβαρή ζημιά ή είναι εντελώς φθαρμένη. Η κασέτα μπαταριών μπορεί να εκραγεί στη φωτιά.
8. Μην καρφώσετε, κόψετε, συνθλίψετε, πετάξετε ή ρίξετε κάτω την κασέτα μπαταριών, ούτε να χτυπήσετε ένα σκληρό αντικείμενο επάνω στην κασέτα μπαταριών. Τέτοια συμπεριφορά μπορεί να έχει ως αποτέλεσμα πυρκαγιά, υπερθέρμανση ή έκρηξη.
9. Μην χρησιμοποιείτε μπαταρία που έχει υποστεί ζημιά.
10. Οι μπαταρίες ιόντων λιθίου που περιέχονται υπόκεινται στις απαιτήσεις της νομοθεσίας για επικίνδυνα αγαθά. Για εμπορικές μεταφορές, για παράδειγμα από τρίτα μέρη, πρέπει να τηρούνται οι διαμεταφορές, οι ειδικές απαιτήσεις στη συσκευασία και η επισήμανση. Για προετοιμασία του στοιχείου που αποστέλλεται, είναι απαραίτητο να συμβουλευτείτε έναν ειδικό για επικίνδυνα υλικά. Επίσης, τηρήστε τους πιθανούς, πιο αναλυτικούς εθνικούς κανονισμούς. Καλύψτε με αυτοκόλλητη ταινία ή κρύψτε τις ανοικτές επαφές και συσκευάστε την μπαταρία με τρόπο που να μην μπορεί να μετακινείται μέσα στη συσκευασία.

- Όταν απορρίπτετε την κασέτα μπαταριών, αφαιρέστε την από το εργαλείο και διαθέστε την σε ένα ασφαλές μέρος. Τηρήστε τους τοπικούς κανονισμούς που σχετίζονται με τη διάθεση της μπαταρίας.
- Χρησιμοποιήστε τις μπαταρίες μόνο με τα προϊόντα που καθορίζει η Makita. Αν τοποθετήσετε τις μπαταρίες σε μη συμβατά προϊόντα μπορεί να έχει ως αποτέλεσμα πυρκαγιά, υπερβολική θερμότητα, έκρηξη ή διαρροή ηλεκτρολύτη.
- Αν δεν χρησιμοποιείτε το εργαλείο για μεγάλο χρονικό διάστημα, πρέπει να βγάλετε την μπαταρία από το εργαλείο.
- Κατά τη διάρκεια και μετά τη χρήση, η κασέτα μπαταριών μπορεί να θερμανθεί, γεγονός που μπορεί να προκαλέσει εγκαύματα ή εγκαύματα από χαμηλή θερμοκρασία. Προσέχετε το χειρισμό των ζεστών κασετών μπαταριών.
- Μην αγγίζετε τον ακροδέκτη του εργαλείου αμέσως μετά τη χρήση επειδή μπορεί να έχει ζεσταθεί αρκετά για να προκαλέσει εγκαύματα.
- Μην αφήνετε θραύσματα, σκόνη ή βρομιά να κολλήσει στους ακροδέκτες, τις σπές και τις εγκοπές της κασέτας μπαταριών. Μπορεί να προκαλέσει θέρμανση, φωτιά, έκρηξη και δυσλειτουργία του εργαλείου ή της κασέτας μπαταριών, έχοντας ως αποτέλεσμα εγκαύματα ή προσωπικό τραυματισμό.
- Εκτός αν το εργαλείο υποστηρίζει τη χρήση κοντά σε ηλεκτρικές γραμμές υψηλής τάσης, μην χρησιμοποιείτε την κασέτα μπαταριών κοντά σε ηλεκτρικές γραμμές υψηλής τάσης. Μπορεί να έχει ως αποτέλεσμα δυσλειτουργία ή σπάσιμο του εργαλείου ή της κασέτας μπαταριών.
- ΚρΦυλάξτε την μπαταρία μακριά από παιδιά.

ΦΥΛΑΞΤΕ ΤΙΣ ΟΔΗΓΙΕΣ ΑΥΤΕΣ.

▲ΠΡΟΣΟΧΗ: Να χρησιμοποιείτε μόνο γνήσιες μπαταρίες της Makita. Η χρήση μη γνήσιων μπαταριών Makita, ή μπαταριών που έχουν τροποποιηθεί, μπορεί να έχει ως αποτέλεσμα τη ρήξη της μπαταρίας, προκαλώντας πυρκαγιά, προσωπικό τραυματισμό και βλάβη. Επίσης, θα ακυρωθεί η εγγύηση της Makita για το εργαλείο και φορτιστή Makita.

Συμβουλές για τη διατήρηση της μέγιστης ζωής μπαταρίας

- Φορτίζετε την κασέτα μπαταριών πριν από την πλήρη αποφόρτιση της. Πάντοτε να σταματάτε τη λειτουργία του εργαλείου και να φορτίζετε την κασέτα μπαταριών όταν παρατηρείτε μειωμένη ισχύ εργαλείου.
- Ποτέ μην επαναφορτίζετε μια πλήρως φορτισμένη κασέτα μπαταριών. Η υπερφόρτιση μειώνει την ωφέλιμη ζωή της μπαταρίας.
- Να φορτίζετε την κασέτα μπαταριών σε θερμοκρασία δωματίου, δηλαδή στους 10 °C έως 40 °C. Αφήστε μια θερμή κασέτα μπαταριών να κρυώσει πριν την φορτίσετε.
- Όταν δεν χρησιμοποιείτε την κασέτα μπαταριών, αφαιρέστε την από το εργαλείο ή τον φορτιστή.
- Να φορτίζετε την κασέτα μπαταριών εάν δεν τη χρησιμοποιείτε για μεγάλη χρονική περίοδο (περισσότερο από έξι μήνες).

ΠΕΡΙΓΡΑΦΗ ΕΞΑΡΤΗΜΑΤΩΝ

Μοντέλο UT001G

► Εικ.1

1	Σκανδάλη διακόπτης	2	Κουμπί ασφαλίσσης
3	Κουμπί ασφαλίσσης	4	Επιλογέας ρύθμισης ταχύτητας
5	Λαβή αλλαγής ταχύτητας	6	Κάλυμμα μπαταριών
7	Λαβή	8	Συγκρατητής άξονα
9	Άξονας	10	Πτερύγιο ανάδευσης

Μοντέλο UT002G

► Εικ.2

1	Σκανδάλη διακόπτης	2	Κουμπί ασφαλίσσης
3	Κουμπί ασφαλίσσης	4	Επιλογέας ρύθμισης ταχύτητας
5	Λαβή αλλαγής ταχύτητας	6	Κάλυμμα μπαταριών
7	Λαβή	8	Σφιγκτήρας

ΠΡΟΕΤΟΙΜΑΣΙΑ ΠΡΙΝ ΑΠΟ ΤΗ ΧΡΗΣΗ

Εμφάνιση υπολειπόμενης χωρητικότητας μπαταρίας

Πιέστε το κουμπί ελέγχου στην κασέτα μπαταριών για να υποδείξετε την υπολειπόμενη χωρητικότητα μπαταρίας. Οι ενδεικτικές λυχνίες ανάβουν για λίγα δευτερόλεπτα.

► Εικ.3: 1. Ενδεικτικές λυχνίες 2. Κουμπί ελέγχου

Ενδεικτικές λυχνίες			Υπολειπόμενη χωρητικότητα
■ Αναμμένες	□ Σβηστές	▤ Αναβοσβήνουν	
■ ■ ■ ■	□ □ □ □		75% έως 100%
■ ■ ■ □	□ □ □ □		50% έως 75%
■ ■ □ □	□ □ □ □		25% έως 50%
■ □ □ □	□ □ □ □		0% έως 25%
▤ □ □ □	□ □ □ □		Φορτίστε την μπαταρία.
■ □ □ □	□ □ □ □	↑ ↓	Μπορεί να προέκυψε δυσλειτουργία στην μπαταρία.

ΠΑΡΑΤΗΡΗΣΗ: Ανάλογα με τις συνθήκες χρήσης και τη θερμοκρασία περιβάλλοντος, η ένδειξη μπορεί να διαφέρει λίγο από την πραγματική χωρητικότητα.

ΠΑΡΑΤΗΡΗΣΗ: Η πρώτη (τέρμα αριστερά) ενδεικτική λυχνία θα αναβοσβήνει όταν λειτουργεί το σύστημα προστασίας μπαταρίας.

Τι πρέπει να γνωρίζετε πριν τη χρήση

Να κρατάτε τη λαβή όταν χρησιμοποιείτε ή μεταφέρετε το εργαλείο.

► **Εικ.4**

⚠ ΠΡΟΣΟΧΗ: Μην κρατάτε το εξάρτημα μεταλλικού φύλλου. Οι αιχμηρές περιοχές μπορεί να προκαλέσουν τραυματισμό.

Σύστημα προστασίας εργαλείου/μπαταρίας

Το εργαλείο είναι εξοπλισμένο με σύστημα προστασίας εργαλείου/μπαταρίας. Αυτό το σύστημα αποκόπτει αυτόματα την ισχύ προς το μοτέρ για να παραταθεί η διάρκεια λειτουργίας του εργαλείου και της μπαταρίας. Το εργαλείο σταματάει αυτόματα κατά τη διάρκεια της λειτουργίας εάν το εργαλείο ή η μπαταρία βρεθούν κάτω από τις παρακάτω συνθήκες:

Προστασία υπερφόρτωσης

Όταν το εργαλείο/μπαταρία λειτουργεί με τρόπο που προκαλεί την κατανάλωση ενός ασυνήθιστα υψηλού ηλεκτρικού ρεύματος, το εργαλείο σταματάει αυτόματα. Σε αυτή την κατάσταση, σβήστε το εργαλείο και διακόψτε την εφαρμογή που προκαλεί την υπερφόρτωση του εργαλείου. Μετά, ενεργοποιήστε το εργαλείο για επανεκκίνηση.

Προστασία υπερθέρμανσης

Όταν το εργαλείο/μπαταρία υπερθερμαίνεται, το εργαλείο σταματάει αυτόματα. Σε αυτή την κατάσταση, αφήστε τη θερμοκρασία του εργαλείου/μπαταρίας να μειωθεί πριν ενεργοποιήσετε ξανά το εργαλείο.

Προστασία υπερβολικής αποφόρτισης

Όταν μειωθεί η χωρητικότητα μπαταρίας, το εργαλείο σταματάει αυτόματα. Εάν το προϊόν δεν τίθεται σε λειτουργία ακόμα και όταν πραγματοποιείται χειρισμός των διακοπών, βγάλτε τις μπαταρίες από το εργαλείο και φορτίστε τις.

ΤΡΟΠΟΣ ΧΡΗΣΗΣ

⚠ ΠΡΟΣΟΧΗ: Να βεβαιώνετε πάντα ότι το εργαλείο είναι σβηστό και η κασέτα μπαταρίας έχει αφαιρεθεί πριν εκτελέσετε κάποια εργασία στο εργαλείο.

ΕΙΔΟΠΟΙΗΣΗ: Όταν δεν εργάζεστε, αφήστε το μηχάνημα κάτω και αποθηκεύστε το.

► **Εικ.5**

Συναρμολόγηση

Τοποθέτηση του άξονα

Προαιρετικό εξάρτημα

Για UT001G

1. Σφίξτε τον άξονα στον συγκρατητή άξονα.
► **Εικ.6:** 1. Άξονας 2. Συγκρατητής άξονα

2. Κρατήστε τις επίπεδες επιφάνειες στον συγκρατητή άξονα με κλειδί 19 με τρόπο ώστε να μην μπορεί να περιστραφεί ο συγκρατητής άξονα. Καθώς κρατάτε τις επίπεδες επιφάνειες με τον τρόπο αυτό, σφίξτε το εξαγωνικό παξιμάδι με ένα άλλο κλειδί 19 προς την κατεύθυνση του βέλους.

► **Εικ.7:** 1. Άξονας 2. Συγκρατητής άξονα

Για UT002G

1. Τοποθετήστε τον άξονα στον σφιγκτήρα μέχρι τέρμα.

► **Εικ.8:** 1. Άξονας 2. Σφιγκτήρας

2. Σφίξτε τον σφιγκτήρα με το χέρι και μετά τοποθετήστε το κλειδί σφιγκτήρα σε κάθε μία από τις τρεις οπές και σφίξτε δεξιόστροφα. Βεβαιωθείτε να σφίξετε το κλειδί σφιγκτήρα και στις τρεις οπές ομοίμορφα.

► **Εικ.9:** 1. Κλειδί σφιγκτήρα 2. Σφιγκτήρας

3. Για να αφαιρέσετε τον άξονα, γυρίστε το κλειδί σφιγκτήρα αριστερόστροφα σε μία από τις οπές και μετά χαλαρώστε τον σφιγκτήρα με το χέρι.

4. Όταν δεν χρησιμοποιείται, φυλάξτε το κλειδί σφιγκτήρα όπως απεικονίζεται στην εικόνα, για να μην το χάσετε.

► **Εικ.10:** 1. Κλειδί σφιγκτήρα

Τοποθέτηση του πτερυγίου ανάδευσης

Προαιρετικό εξάρτημα

Εισαγάγετε το πτερύγιο ανάδευσης στον άξονα και ασφαλίστε το με το εξαγωνικό μπουλόνι. Αυτή τη στιγμή, τοποθετήστε το με τρόπο ώστε το πάνω άκρο του εξαγωνικού μπουλονιού να ταιριάζει πάντα με την επίπεδη επιφάνεια στον άξονα και σφίξτε το εξαγωνικό μπουλόνι με το κλειδί που παρέχεται.

► **Εικ.11:** 1. Εξαγωνικό μπουλόνι 2. Άξονας
3. Επίπεδη επιφάνεια 4. Πτερύγιο ανάδευσης

Όταν εγκαθιστάτε τα πτερύγια ανάδευσης σε δύο διαφορετικές θέσεις, στερεώστε και ασφαλίστε τα δύο πτερύγια ανάδευσης στο επίπεδο τμήμα του άξονα με τα εξαγωνικά μπουλόνια, με τρόπο ώστε η ίδια επιφάνεια των πτερυγίων ανάδευσης να είναι στραμμένη η μία με την άλλη όπως απεικονίζεται στην εικόνα.

► **Εικ.12:** 1. Εξαγωνικό μπουλόνι 2. Άξονας
3. Επίπεδη επιφάνεια 4. Πτερύγιο ανάδευσης

ΠΑΡΑΤΗΡΗΣΗ: Ρωτήστε το τοπικό σας κέντρο εξυπηρέτησης της Makita για τα πτερύγια ανάδευσης που επιτρέπονται.

Τοποθέτηση ή αφαίρεση της κασέτας μπαταριών

▲ ΠΡΟΣΟΧΗ: Να σβήνετε πάντα το εργαλείο πριν τοποθετήσετε ή αφαιρέσετε την κασέτα μπαταριών.

▲ ΠΡΟΣΟΧΗ: Κρατήστε το εργαλείο και την κασέτα μπαταριών σταθερά κατά την τοποθέτηση ή αφαίρεση της κασέτας μπαταριών. Εάν δεν κρατάτε το εργαλείο και την κασέτα μπαταριών σταθερά μπορεί να γλιστρήσουν από τα χέρια σας και να προκληθεί βλάβη στο εργαλείο και την κασέτα μπαταριών και προσωπικός τραυματισμός.

▲ ΠΡΟΣΟΧΗ: Μη χρησιμοποιείτε αυτό το εργαλείο με τον προσαρμογέα μπαταριών. Εάν συνδέσετε τον προσαρμογέα μπαταριών με το εργαλείο, το κάλυμμα μπαταριών δεν μπορεί να κλείσει και η χρήση του εργαλείου με ανοικτό κάλυμμα μπαταριών μπορεί να προκαλέσει τραυματισμό.

▲ ΠΡΟΣΟΧΗ: Προσέχετε να μην πιάσετε τα δάχτυλά σας όταν ανοίγετε ή κλείνετε το κάλυμμα μπαταριών.

ΕΙΔΟΠΟΙΗΣΗ: Τοποθετήστε το κάλυμμα μπαταριών που παριάζει με το μέγεθος της μπαταρίας.

Ανοίξτε το κάλυμμα μπαταριών ενώ πατάτε το κουμπί στο κάλυμμα μπαταριών.

► **Εικ.13:** 1. Κουμπί 2. Κάλυμμα μπαταριών

Για να αφαιρέσετε την κασέτα μπαταριών, ολισθήστε την από το εργαλείο ενώ σύρετε το κουμπί στο μπροστινό μέρος της κασέτας.

► **Εικ.14:** 1. Κόκκινος δείκτης 2. Κουμπί 3. Κασέτα μπαταριών

Για να τοποθετήσετε την κασέτα μπαταριών, ευθυγραμμίστε τη γλώσσα στην κασέτα μπαταριών με την εγκοπή στο περίβλημα και ολισθήστε τη στη θέση της. Τοποθετήστε την μέχρι τέρμα μέχρι να ασφαλίσει στη θέση της, γεγονός που υποδεικνύεται με ένα χαρακτηριστικό ήχο. Αν μπορείτε να δείτε τον κόκκινο δείκτη όπως απεικονίζεται στην εικόνα, δεν έχει κλειδώσει τελείως.

Αφού τοποθετήσετε την κασέτα μπαταριών, κλείστε το κάλυμμα μπαταριών με ασφάλεια.

▲ ΠΡΟΣΟΧΗ: Να τοποθετείτε πάντα την κασέτα μπαταριών πλήρως μέχρι να μη βλέπτε τον κόκκινο δείκτη. Εάν δεν ασφαλιστεί, μπορεί να πέσει από το εργαλείο τυχαία, προκαλώντας σωματική βλάβη σε εσάς ή κάποιον άλλο γύρω σας.

▲ ΠΡΟΣΟΧΗ: Μην τοποθετείτε την κασέτα μπαταριών με βία. Εάν η κασέτα δεν ολισθαίνει με ευκολία, τότε δεν έχει τοποθετηθεί κατάλληλα.

Δράση διακόπτη

▲ ΠΡΟΕΙΔΟΠΟΙΗΣΗ: Πριν τοποθετήσετε την κασέτα μπαταριών στο εργαλείο, να βεβαιώνεστε πάντα ότι η σκανδάλη διακόπτης ενεργοποιείται σωστά και επιστρέφει στη θέση «OFF» τραβώντας την πλήρως και αφήνοντάς την.

▲ ΠΡΟΕΙΔΟΠΟΙΗΣΗ: Μην αχρηστεύετε ΠΟΤΕ το κουμπί απασφάλισης χρησιμοποιώντας αυτοκόλλητη ταινία ή με άλλο τρόπο. Ένας διακόπτης με αχρηστευμένο κουμπί απασφάλισης μπορεί να καταλήξει σε ανεπιθύμητη λειτουργία και την πρόκληση σοβαρού τραυματισμού.

▲ ΠΡΟΕΙΔΟΠΟΙΗΣΗ: ΠΟΤΕ μην χρησιμοποιείτε το εργαλείο εάν λειτουργεί όταν απλώς πατάτε τη σκανδάλη διακόπτη χωρίς να πατήσετε το κουμπί απασφάλισης. Ένας διακόπτης που απαιτεί επισκευή μπορεί να καταλήξει σε ανεπιθύμητη λειτουργία και την πρόκληση σοβαρού τραυματισμού. Επιστρέψτε το εργαλείο σε ένα κέντρο εξυπηρέτησης Makita για κατάλληλες επισκευές PPIN την περαιτέρω χρήση.

▲ ΠΡΟΕΙΔΟΠΟΙΗΣΗ: Μην τοποθετείτε την κασέτα μπαταριών όταν το κουμπί ασφάλισης είναι δεσμευμένο.

Για να εμποδίσει το τυχαίο τράβηγμα της σκανδάλης διακόπτη, υπάρχει ένα κουμπί απασφάλισης. Για να ξεκινήσετε τη λειτουργία του εργαλείου, πατήστε το κουμπί απασφάλισης και τραβήξτε τη σκανδάλη διακόπτη. Η ταχύτητα του εργαλείου αυξάνεται εάν αυξήσετε την πίεση στη σκανδάλη διακόπτη. Ελευθερώστε τη σκανδάλη διακόπτη για να σταματήσετε.

Για συνεχή λειτουργία, πατήστε το κουμπί ασφάλισης ενώ τραβήξετε τη σκανδάλη διακόπτη και μετά αφήστε τη σκανδάλη διακόπτη. Για να σταματήσετε το εργαλείο, τραβήξτε πλήρως τη σκανδάλη διακόπτη και μετά αφήστε την.

► **Εικ.15:** 1. Σκανδάλη διακόπτης 2. Κουμπί απασφάλισης 3. Κουμπί ασφάλισης

Λειτουργία της λαβής αλλαγής ταχύτητας

ΕΙΔΟΠΟΙΗΣΗ: Χρησιμοποιείτε τη λαβή αλλαγής ταχύτητας μόνο αφού το εργαλείο σταματήσει εντελώς. Η αλλαγή του τρόπου λειτουργίας ταχύτητας του εργαλείου πριν το εργαλείο σταματήσει μπορεί να προκαλέσει ζημιά στο εργαλείο.

ΕΙΔΟΠΟΙΗΣΗ: Να ρυθμίζετε πάντα τη λαβή αλλαγής ταχύτητας προσεκτικά στη σωστή θέση. Εάν χειρίζεστε το εργαλείο όταν η λαβή αλλαγής ταχύτητας βρίσκεται στα μισά μεταξύ της θέσης 1 και της θέσης 2, μπορεί να προκληθεί ζημιά στο εργαλείο.

ΕΙΔΟΠΟΙΗΣΗ: Εάν η ταχύτητα περιστροφής μειωθεί σημαντικά κατά τη διάρκεια της λειτουργίας σε τρόπο λειτουργίας υψηλής ταχύτητας, διακόψτε το εργαλείο και αλλάξτε τον τρόπο λειτουργίας σε τρόπο λειτουργίας χαμηλής ταχύτητας. Διαφορετικά, το μοτέρ μπορεί να υπερθερμανθεί και να προκληθεί δυσλειτουργία ή φωτιά.

Η προεπιλογή των δύο ευρών ταχύτητων είναι εφικτή μέσω της λαβής αλλαγής ταχύτητας.

Επιλέξτε τον σωστό τρόπο λειτουργίας ταχύτητας για το υλικό προς ανάδευση.

Για να αλλάξετε τον τρόπο λειτουργίας ταχύτητας, γυρίστε τη λαβή αλλαγής ταχύτητας με τρόπο ώστε ο δείκτης να είναι στραμμένος στην κουκκίδα στη θέση 1 για τρόπο λειτουργίας χαμηλής ταχύτητας ή στην κουκκίδα στη θέση 2 για τρόπο λειτουργίας υψηλής ταχύτητας.

► **Εικ.16:** 1. Δείκτης 2. Λαβή αλλαγής ταχύτητας 3. Κουκκίδα

Λειτουργία του επιλογέα ρύθμισης ταχύτητας

Εάν περιστρέψετε τον επιλογέα ρύθμισης ταχύτητας, μπορείτε να ρυθμίσετε την ταχύτητα του εργαλείου με συνεχή τρόπο. Η ταχύτητα χωρίς φορτίο, όταν η σκανδάλη διακόπτης έχει τραβηχθεί πλήρως, μπορεί να ρυθμιστεί στα 270 min⁻¹ έως 500 min⁻¹ στον τρόπο λειτουργίας χαμηλής ταχύτητας και στα 500 min⁻¹ έως 920 min⁻¹ στον τρόπο λειτουργίας υψηλής ταχύτητας. Λαμβάνετε υψηλότερη ταχύτητα όταν περιστρέφετε τον επιλογέα προς την κατεύθυνση του αριθμού 5, ενώ λαμβάνετε χαμηλότερη ταχύτητα όταν περιστρέφετε τον επιλογέα προς την κατεύθυνση του αριθμού 1. Επιλέξτε τη σωστή ταχύτητα για το υλικό προς ανάδευση.

► **Εικ.17:** 1. Επιλογέας ρύθμισης ταχύτητας

ΕΙΔΟΠΟΙΗΣΗ: Ο επιλογέας ρύθμισης ταχύτητας μπορεί να περιστραφεί μόνο μέχρι το 5 και ξανά στο 1. Μην τον εξαναγκάσετε μετά το 5 ή πριν το 1.

Λειτουργία αποφυγής τυχαίας επανεκκίνησης

Εάν τοποθετήσετε την κασέτα μπαταριών ενώ τραβάτε τη σκανδάλη διακόπτη ή ασφαλίζετε τη σκανδάλη διακόπτη, το εργαλείο δεν ξεκινά. Για να ξεκινήσετε τη λειτουργία του εργαλείου, αφήστε τη σκανδάλη διακόπτη και, στη συνέχεια, τραβήξτε τη σκανδάλη διακόπτη.

Ηλεκτρονική λειτουργία

Το εργαλείο είναι εξοπλισμένο με την ακόλουθη ηλεκτρονική λειτουργία για εύκολο χειρισμό.

Ομαλή εκκίνηση

Η λειτουργία ομαλής εκκίνησης ελαχιστοποιεί τον κραδασμό κατά την εκκίνηση και καθιστά την εκκίνηση του εργαλείου ομαλή.

Βασικές λειτουργίες

▲ΠΡΟΣΟΧΗ: Μην αναδεύετε εύφλεκτα υλικά και μη χειρίζεστε το εργαλείο κοντά σε εύφλεκτα υλικά, όπως βαφή με νέφτι ως διαλύτη. Εάν δεν τηρείτε αυτή την οδηγία, μπορεί να προκληθεί τραυματισμός.

▲ΠΡΟΣΟΧΗ: Μην αναδεύετε υλικό υψηλού ιξώδους σε τρόπο λειτουργίας υψηλής ταχύτητας. Μπορεί να χάσετε τον έλεγχο του εργαλείου και να προκληθεί τραυματισμός.

▲ΠΡΟΣΟΧΗ: Μην περιστρέφετε το πτερύγιο ανάδευσης έξω από το δοχείο ανάδευσης.

▲ΠΡΟΣΟΧΗ: Εάν ακούσετε μη φυσιολογικό θόρυβο κατά τη διάρκεια της χρήσης, απενεργοποιήστε τον διακόπτη και σταματήστε να χρησιμοποιείτε το εργαλείο.

ΕΙΔΟΠΟΙΗΣΗ: Όταν αναδεύετε το υλικό ενώ το πτερύγιο ανάδευσης επιπλέει εκτός του υλικού, προσέχετε να μην πισιλάει το υλικό.

ΕΙΔΟΠΟΙΗΣΗ: Μην χρησιμοποιήσετε το εργαλείο για οποιονδήποτε άλλο σκοπό εκτός από την ανάδευση κονιάματος, σκυροδέματος, κτλ.

1. Επιλέξτε τον τρόπο λειτουργίας υψηλής ταχύτητας ή τον τρόπο λειτουργίας χαμηλής ταχύτητας ανάλογα με το υλικό προς ανάδευση.
2. Κρατήστε σταθερά το εργαλείο με τα δύο χέρια. Τοποθετήστε το πτερύγιο ανάδευσης πλήρως μέσα στο υλικό. Ελέγξτε ότι το υλικό δεν έχει στερεοποιηθεί καθώς και την ασφάλεια στον χώρο εργασίας και, στη συνέχεια, ενεργοποιήστε το εργαλείο.
3. Μετακινήστε το πτερύγιο ανάδευσης πάνω-κάτω κατά την εργασία ανάδευσης ώστε να αναδευτεί όλο το υλικό.
4. Όταν τελειώσετε την ανάδευση, απενεργοποιήστε το εργαλείο. Βεβαιωθείτε ότι το πτερύγιο ανάδευσης έχει ακινητοποιηθεί πλήρως και μετά τραβήξτε το από το δοχείο ανάδευσης.

Εφαρμοζόμενες λειτουργίες

▲ΠΡΟΣΟΧΗ: Να φροντίζετε πάντα για την απενεργοποίηση του εργαλείου και την αφαίρεση της κασέτας μπαταρίας, πριν από οποιαδήποτε ρύθμιση ή έλεγχο της λειτουργίας του.

Αντικατάσταση του καλύμματος μπαταριών

Προαιρετικό εξάρτημα

Τοποθετήστε ένα από τα καλύμματα μπαταριών για να ταιριάζει με το μέγεθος της κασέτας μπαταριών.

► **Εικ.18:** 1. Κάλυμμα μπαταριών S 2. Κάλυμμα μπαταριών L 3. Κουμπί

1. Ανοίξτε το στάνταρ κάλυμμα μπαταριών ενώ πατάτε το κουμπί στο κάλυμμα μπαταριών.
 2. Χαλαρώστε τη βίδα που ασφαλίζει το στάνταρ κάλυμμα μπαταριών. Στη συνέχεια, αφαιρέστε τη βίδα, το χιτώνιο και το κάλυμμα μπαταριών.
- **Εικ.19:** 1. Βίδα 2. Χιτώνιο 3. Κάλυμμα μπαταριών (στάνταρ)

ΠΑΡΑΤΗΡΗΣΗ: Το χιτώνιο μπορεί να παραμείνει στις οπές στερέωσης. Σε αυτή την περίπτωση, τραβήξτε το για να το βγάλετε χρησιμοποιώντας μια βίδα ή κάτι παρόμοιο.

3. Ευθυγραμμίστε την οπή στερέωσης στο προαιρετικό κάλυμμα μπαταριών με τις οπές στερέωσης στο περίβλημα. Εισαγάγετε το χιτώνιο. Στη συνέχεια, σφίξτε τις βίδες για να το ασφαλίσετε στη θέση του.

► **Εικ.20:** 1. Βίδα 2. Χιτώνιο 3. Κάλυμμα μπαταριών (προαιρετικά)

4. Κλείστε το κάλυμμα μπαταριών με ασφάλεια.

Τοποθέτηση ή αφαίρεση του συγκρατητή άξονα

ειδικό της χώρας

Για **UT001G**

Τοποθετήστε έναν από τους συγκρατητές άξονα, οι οποίοι διατίθενται προαιρετικά, ώστε να ταιριάζει στο μέγεθος βίδας του άξονα.

► **Εικ.21:** 1. Συγκρατητής άξονα M12 2. Συγκρατητής άξονα M14

Ενώ κρατάτε την άτρακτο με ένα κλειδί, χαλαρώστε τον συγκρατητή άξονα με ένα άλλο κλειδί.

► **Εικ.22:** 1. Συγκρατητής άξονα 2. Κλειδί 3. Άτρακτος

Για να τοποθετήσετε τον συγκρατητή άξονα, ακολουθήστε τη διαδικασία αφαίρεσης με αντίστροφη σειρά.

Για **UT002G**

1. Εισαγάγετε το κλειδί άλεν στον σφιγκτήρα και μετά χαλαρώστε τον σφιγκτήρα με το κλειδί άλεν ενώ κρατάτε την άτρακτο με το κλειδί.

► **Εικ.23:** 1. Κλειδί άλεν 2. Σφιγκτήρας 3. Κλειδί 4. Άτρακτος

2. Σφίξτε τον συγκρατητή άξονα με ένα κλειδί ενώ κρατάτε την άτρακτο με ένα άλλο κλειδί.

► **Εικ.24:** 1. Συγκρατητής άξονα 2. Κλειδί 3. Άτρακτος

Χειρισμός μετά τη χρήση

Χρησιμοποιήστε ένα υγρό πανί ή άλλο παρόμοιο αντικείμενο για να σκουπίσετε προσεκτικά το υλικό που απομένει στο εργαλείο μετά τη χρήση. Ιδιαίτερη προσοχή απαιτείται για τον σχολαστικό καθαρισμό των αεραγωγών, των διακοπών, των ανοιγμάτων στα καλύμματα κ.λπ.

ΕΙΔΟΠΟΙΗΣΗ: Αποφεύγετε να καθαρίζετε το εργαλείο σε νερό. Το νερό μπορεί να εισέλθει στο περίβλημα μοτέρ και να προκαλέσει αστοχία του μοτέρ.

ΣΥΝΤΗΡΗΣΗ

ΠΡΟΣΟΧΗ: Πριν την εκτέλεση εργασιών επιθεώρησης ή συντήρησης, πάντοτε να βεβαιώνετε ότι η συσκευή απενεργοποιήθηκε και η κασέτα μπαταριών έχει αφαιρεθεί.

ΕΙΔΟΠΟΙΗΣΗ: Μην χρησιμοποιείτε ποτέ βενζίνη, πετρελαϊκό αιθέρα, διαλυτικό, αλκοόλη ή παρόμοιες ουσίες. Μπορεί να προκληθεί αποχρωματισμός, παραμόρφωση ή ρυγμές.

Για τη διατήρηση της ΑΣΦΑΛΕΙΑΣ και ΑΞΙΟΠΙΣΤΙΑΣ του προϊόντος, οι επισκευές και οποιαδήποτε άλλη εργασία συντήρησης ή ρύθμισης πρέπει να εκτελούνται από εξουσιοδοτημένα ή εργοστασιακά κέντρα εξυπηρέτησης της Makita, χρησιμοποιώντας πάντοτε ανταλλακτικά της Makita.

Επίλυση προβλημάτων

Πριν ζητήσετε για επισκευές, ελέγξτε τα ακόλουθα σημεία.

1. Απενεργοποιήστε το εργαλείο και, στη συνέχεια, ενεργοποιήστε το ξανά για να επανεκκινήσει.
2. Φορτίστε την μπαταρία ή τις μπαταρίες ή αντικαταστήστε τις με επαναφορτιζόμενες μπαταρίες.
3. Αφήστε το εργαλείο και τις μπαταρίες να ψυχθούν.

Εάν δεν υπάρχει βελτίωση με την επαναφορά του συστήματος προστασίας, επικοινωνήστε με το τοπικό σας κέντρο εξυπηρέτησης της Makita.

ΠΡΟΑΙΡΕΤΙΚΑ ΕΞΑΡΤΗΜΑΤΑ

ΠΡΟΣΟΧΗ: Αυτά τα εξαρτήματα ή προσαρτήματα συνιστώνται για χρήση με το εργαλείο Makita που περιγράφηκε στις οδηγίες αυτές. Η χρήση οποιωνδήποτε άλλων εξαρτημάτων ή προσαρτημάτων μπορεί να προκαλέσει κίνδυνο τραυματισμού σε άτομα. Να χρησιμοποιείτε τα εξαρτήματα ή προσαρτήματα μόνο για την χρήση που προορίζονται.

Εάν χρειάζεστε οποιαδήποτε βοήθεια για περισσότερες πληροφορίες σε σχέση με αυτά τα εξαρτήματα, απευθυνθείτε στο τοπικό σας κέντρο εξυπηρέτησης Makita.

- Πτερόγιο ανάδευσης
- Άξονας
- Κάλυμμα μπαταριών
- Γνήσια μπαταρία και φορτιστής της Makita

ΠΑΡΑΤΗΡΗΣΗ: Μερικά στοιχεία στη λίστα μπορεί να συμπεριλαμβάνονται στη συσκευασία εργαλείου ως στάνταρ εξαρτήματα. Μπορεί να διαφέρουν ανάλογα με τη χώρα.

TEKNİK ÖZELLİKLER

Model:		UT001G	UT002G
Yüksüz hız	Yüksek hız modu	0 - 920 min ⁻¹	
	Düşük hız modu	0 - 500 min ⁻¹	
Maksimum karıştırma bıçağı çapı		240 mm	
Toplam uzunluk (mil ve karıştırma bıçağı olmadan)	batarya kapağı S ile	373 mm	363 mm
	batarya kapağı L ile	412 mm	403 mm
Anma voltajı		D.C. 36 V - 40 V maks	
Net ağırlık		5,7 - 7,0 kg	5,8 - 7,2 kg

- Sürekli yapılan araştırma ve geliştirmelerden dolayı, burada belirtilen özellikler önceden bildirilmeksizin değiştirilebilir.
- Özellikler ve batarya kartuşu ülkeden ülkeye değişebilir.
- Ağırlık, ekli aksesuar/aksesuarlara ve batarya kartuşuna bağlı olarak farklılık gösterebilir. EPTA-Prosedürü 01/2014'e göre en hafif ve en ağır kombinasyonlar tabloda verilmiştir.

Geçerli batarya kartuşu ve şarj aleti





Batarya kartuşu	BL4020 / BL4025 / BL4040* / BL4050F* / BL4080F* * : Önerilen batarya
Şarj aleti	DC40RA / DC40RB / DC40RC

- Yukarıda listelenen batarya kartuşlarının ve şarj aletlerinin bazıları yaşadığımız bölgeye bağlı olarak mevcut olmayabilir.

⚠ UYARI: Sadece yukarıda listelenen batarya kartuşlarını ve şarj aletlerini kullanın. Başka batarya kartuşlarının ve şarj aletlerinin kullanılması yaralanma ve/veya yangına neden olabilir.

Semboller

Ekipmanı için kullanılacak semboller aşağıda gösterilmiştir. Kullanmadan önce anlamlarını anladığınızdan emin olun.

	Kullanma kılavuzunu okuyun.
	Aleti yağmurda kullanmayın.
	Aleti suyla temizlemeyin.
	Sadece AB ülkeleri için Ekipmanda tehlikeli bileşenler bulunduğundan dolayı atık elektrikli ve elektronik ekipmanlar, aküler ve bataryalar çevre ve insan sağlığı üzerinde olumsuz etkiye yol açabilir. Elektrikli ve elektronik cihazları veya bataryaları evsel atıklarla birlikte atmayın! Atık elektrikli ve elektronik ekipmanlar ile akümülatörler ve bataryalar hakkındaki Avrupa Direktifi ve söz konusu direktifin ulusal yasalara uyarlanması gereğince atık elektrikli ekipmanlar, bataryalar ve akümülatörler ayrı olarak depolanmalı ve çevre koruma hakkındaki mevzuata uygun olarak faaliyet gösteren ayrı bir kentsel atık toplama noktasına teslim edilmelidir. Bu husus, ekipmanın üzerine yerleştirilmiş üzerinde çarpı işareti bulunan tekerlekli çöp kovası simgesi ile belirtilmiştir.

Kullanım amacı

Bu alet, duvar malzemelerini, vb. karıştırmak amacıyla kullanılır (yanıcı malzemeler hariç).

Gürültü

Tipik A-ağırlıklı gürültü düzeyi (EN62841-2-10 standardına göre belirlenen):

Model UT001G

Ses basınç seviyesi (L_{PA}): 81 dB (A)

Ses gücü düzeyi (L_{WA}): 92 dB (A)

Belirsizlik (K): 3 dB (A)

Model UT002G

Ses basınç seviyesi (L_{PA}): 81 dB (A)

Ses gücü düzeyi (L_{WA}): 92 dB (A)

Belirsizlik (K): 3 dB (A)

NOT: Beyan edilen gürültü emisyonu değer(ler)i bir standart test yöntemine uygun şekilde ölçülmüştür ve bir aleti bir başkasıyla karşılaştırmak için kullanılabilir.

NOT: Beyan edilen gürültü emisyonu değer(ler)i bir ön maruz kalma değerlendirmesi olarak da kullanılabilir.

UYARI: Kulak koruyucuları takın.

UYARI: Elektrikli aletin gerçek kullanımı sırasındaki gürültü emisyonu, aletin kullanım biçimlerine, özellikle işlenen iş parçasının türüne bağlı olarak beyan edilen değer(ler)den farklı olabilir.

UYARI: Gerçek kullanım koşullarındaki tahmini maruziyeti baz alan, operatörü koruyacak güvenlik önlemlerini mutlaka belirleyin (çalışma döngüsü içerisinde aletin kapalı olduğu ve aktif durumda olmasının yanı sıra boşta çalıştığı zamanlar gibi, bütün zaman dilimleri göz önünde bulundurarak).

Titreşim

Titreşim toplam değeri (üç eksenli vektör toplamı) (EN62841-2-10 standardına göre hesaplanan):

Model UT001G

Çalışma modu: yüksüz çalışma
Titreşim emisyonu (a_{h2}): 2,5 m/s²den az
Belirsizlik (K) : 1,5 m/s²

Model UT002G

Çalışma modu: yüksüz çalışma
Titreşim emisyonu (a_{h2}): 2,5 m/s²den az
Belirsizlik (K) : 1,5 m/s²

NOT: Beyan edilen titreşim toplam değer(ler)i bir standart test yöntemine uygun şekilde ölçülmüştür ve bir aleti bir başkasıyla karşılaştırmak için kullanılabilir.

NOT: Beyan edilen titreşim toplam değer(ler)i bir ön maruz kalma değerlendirmesi olarak da kullanılabilir.

UYARI: Elektrikli aletin gerçek kullanımı sırasındaki titreşim emisyonu, aletin kullanım biçimlerine, özellikle işlenen iş parçasının türüne bağlı olarak beyan edilen değer(ler)den farklı olabilir.

UYARI: Gerçek kullanım koşullarındaki tahmini maruziyeti baz alan, operatörü koruyacak güvenlik önlemlerini mutlaka belirleyin (çalışma döngüsü içerisinde aletin kapalı olduğu ve aktif durumda olmasının yanı sıra boşta çalıştığı zamanlar gibi, bütün zaman dilimleri göz önünde bulundurarak).

EC Uygunluk Beyanı

Sadece Avrupa ülkeleri için

EC uygunluk beyanı bu kullanım kılavuzuna Ek A olarak eklenmiştir.

GÜVENLİK UYARILARI

Genel elektrikli alet güvenliği uyarıları

UYARI: Bu elektrikli aletle birlikte sunulan tüm güvenlik uyarılarını, talimatları, çizimleri ve teknik özellikleri okuyun. Aşağıda verilen talimatlara uyulmaması elektrik şoku, yangın ve/veya ciddi yaralanmalar ile sonuçlanabilir.

Tüm uyarıları ve talimatları iletide başvurmak için saklayın.

Uyarılardaki "elektrikli alet" terimi ile ya prizden çalışan (kordonlu) elektrikli aletiniz ya da kendi aküsü ile çalışan (kordonsuz) elektrikli aletiniz kastedilmektedir.

Akülü mikser güvenlik uyarıları

- Aleti, iki elle bu amaçla tasarlanmış olan tutamaklardan tutun.** Kontrolü kaybetmeniz, yaralanmanıza neden olabilir.
- Tehlikeli bir ortamı engellemek için yanıcı maddeleri karıştırırken yeterli havalandırma sağlayın.** Oluşan buhar solunabilir veya elektrikli aletin ürettiği kıvılcımlar tarafından tutuşturulabilir.
- Gıda maddelerini karıştırmayın.** Elektrikli aletler ve aksesuarları gıda maddelerini işlemek için tasarlanmamıştır.
- Karıştırma kabının sağlam ve güvenli bir konumda yerleştirildiğinden emin olun.** Düzgün sabitlenmemiş bir kap, beklenmedik bir şekilde hareket edebilir.
- Karıştırılacak malzemeye yönelik talimatları ve uyarılara riayet edin.** Karıştırılacak malzeme tehlikeli olabilir.
- Karıştırma sırasında karıştırma kabına ellerinizle uzanmayın veya başka maddeler sokmayın.** Mikser bıçağına temas edilmesi ciddi yaralanmaya yol açabilir.
- Aleti sadece karıştırma kabının içinde başlatın ve durdurun.** Mikser bıçağı bükülebilir veya kontrolsüz bir şekilde dönebilir.
- Elektrikli aletin gövdesine hiçbir sıvı sıçramadığından emin olun.** Elektrikli aletin içine giren sıvı, aletin hasar görmesine neden olabilir.
- Aletle birlikte verilmişse yardımcı tutamakları kullanın.** Kontrolü kaybetmeniz, yaralanmanıza neden olabilir.
- Kesici aksesuarın görünmeyen kablolarla temas etme olasılığı bulunan yerlerde çalışırken elektrikli aleti yalıtımlı kavrama yüzeyinden tutun.** Kesici aksesuarın "akımlı" bir telle temas etmesi elektrikli aletin yalıtımsız metal kısımlarını "akımlı" hale getirebilir ve kullanıcıyı elektrik şokuna maruz bırakabilir.
- Daima yere sağlam bastığınızdan emin olun.** Aleti yüksek yerlerde kullanırken aşağıda kimse olmadığından emin olun.
- Aleti sıkıca tutun.**
- Ellerinizi dönen parçalardan uzak tutun.**
- Aleti çalışır durumda bırakmayın.** Aleti yalnızca tutarken çalıştırın.
- Bazı malzemeler zehirli olabilecek kimyasal maddeler içerir.** Tozun solunmasını ve cilde temas etmesini önlemek için dikkatli olun. Malzeme tedarikçisi tarafından verilen güvenlik uyarılarına riayet edin.
- Karıştırma işlemi yaparken karıştırma kabını düz ve dengeli bir yüzeye yerleştirin.**

BU TALİMATLARI MUHAFAZA EDİNİZ.

⚠UYARI: Ürünü kullanırken (defalarca kullanınca kazanılan) rahatlık ve tanıdıklık duygusunun ilgili ürünün güvenlik kurallarına sıkı sıkıya bağlı kalmanın yerine geçmesine İZİN VERMEYİN. YANLIŞ KULLANIM veya bu kullanma kılavuzunda belirtilen emniyet kurallarına uymama ciddi yaralanmaya neden olabilir.

Batarya kartuşu hakkında önemli güvenlik talimatları

1. Batarya kartuşunu kullanmadan önce, tüm talimatları ve (1) batarya kartuşu, (2) batarya ve (3) ürün üzerindeki tüm uyarı işaretlerini okuyun.
2. Batarya kartuşunu parçalarına ayırmayın veya kurcalamayın. Yangın, aşırı ısı veya patlamaya neden olabilir.
3. Çalışma süresi aşırı derecede kısalmışsa kullanmayı derhal bırakın. Aşırı ısınma, yanma riski hatta patlamaya neden olabilir.
4. Gözünüze elektrolit kaçarsa, gözlerinizi temiz suyla durulayın ve hemen tıbbi yardım alın. Görme kaybına yol açabilir.
5. Batarya kartuşuna kısa devre yaptırmayın:
 - (1) Terminallere herhangi bir iletken madde değdirmeyin.
 - (2) Batarya kartuşunu çiviler, madeni paralar, vb. gibi başka metal nesnelere aynı kaba koymaktan kaçınınız.
 - (3) Batarya kartuşunu yağmura ya da suya maruz bırakmayın.

Kısa devre, büyük bir akım akışına, aşırı ısınmaya, olası yanıklara hatta bataryanın bozulmasına yol açabilir.

6. Aleti ve batarya kartuşunu sıcaklığın 50 °C ya da daha yükseğe ulaştığı yerlerde saklamayın ve kullanmayın.
7. Aşırı derecede hasar görmüş ya da tamamen kullanılmaz durumda olsa bile batarya kartuşunu yakmayın. Batarya kartuşu ateşe atılırsa patlayabilir.
8. Batarya kartuşunu çivilememeyin, kesmeyin, ezmeyin, fırlatmayın, düşürmeyin ya da batarya kartuşuna sert bir nesne ile vurmuyun. Bu eylemler yangın, aşırı ısı veya patlamaya neden olabilir.
9. Hasarlı bataryayı kullanmayın.
10. Aletin içerdiği lityum-iyon bataryalar Tehlikeli Eşyalar Yönetmeliğinin gereksinimlerine tabidir.

Ticari nakliye işlemleri için, örneğin üçüncü taraflar, nakliye acenteleri tarafından yapılan nakliyelerde, paketlenme ve etiketleme gereksinimlerine uyulmalıdır.

Nakliyesi yapılacak ürünün hazırlanması için, tehlikeli maddeler konusunda uzman bir kişiye danışın. Lütfen muhtemelen daha ayrıntılı olan ulusal yönetmeliklere de uyun.

Açık kontakları bantlayın ya da maskeleyin ve bataryayı paketin içinde hareket etmeyecek şekilde paketleyin.

11. Batarya kartuşunu bertaraf ederken aletten çıkarın ve güvenli bir yerde bertaraf edin. Bataryanın bertaraf edilmesi ile ilgili yerel düzenlemelere uyunuz.
12. Bataryaları sadece Makita tarafından belirtilen ürünlerle kullanın. Bataryaların uyumsuz ürünlere takılması; yangın, aşırı ısınma, patlama ya da elektrolit sızıntısına neden olabilir.
13. Alet uzun süre kullanılmıyacaksa batarya aletten çıkarılmalıdır.
14. Kullanma sırasında ve sonrasında batarya kartuşu ısınarak yanıklara veya düşük sıcaklık yanıklarına yol açabilir. Sıcak batarya kartuşları ile işlem yaparken dikkat edin.
15. Yanıklara neden olabilecek kadar sıcak olabileceğinden kullandıktan hemen sonra aletin terminaline dokunmayın.
16. Batarya kartuşunun terminallerine, deliklerine ve kanallarına mıcır, toz veya toprak girmesine izin vermeyin. Aletin veya batarya kartuşunun ısınmasına, alev almasına, patlamasına ve arızalanmasına neden olarak yanıklara veya yaralanmaya yol açabilir.
17. Alet yüksek gerilim elektrik güç hatlarında kullanımı desteklemediği sürece batarya kartuşunu yüksek gerilim elektrik güç hatlarının yakınında kullanmayın. Aletin veya batarya kartuşunun arızalanmasına veya bozulmasına neden olabilir.
18. Bataryayı çocuklardan uzak tutun.

BU TALİMATLARI MUHAFAZA EDİNİZ.

⚠DİKKAT: Sadece orijinal Makita bataryalarını kullanın. Orijinal olmayan Makita bataryaları ya da üzerine değişiklik yapılmış bataryaların kullanımı bataryanın patlamasına ve sonuç olarak yangın, kişisel yaralanma ve hasara neden olabilir. Ayrıca Makita aleti ve şarj aletinin Makita tarafından sunulan garantisi de geçersiz olur.

Maksimum batarya ömrü için ipuçları

1. Batarya kartuşunu tamamen boşalmadan önce şarj edin. Aletin gücünün zayıflamaya başladığını fark ettiğinizde aleti durdurun ve batarya kartuşunu şarj edin.
2. Tam dolu bir batarya kartuşunu asla yeniden şarj etmeyin. Aşırı şarj etme bataryanın hizmet ömrünü kısaltır.
3. Batarya kartuşunu 10 °C - 40 °C oda sıcaklığında şarj edin. Sıcak bir batarya kartuşunu şarj etmeden önce soğumasını bekleyin.
4. Batarya kartuşunu kullanmıyorken aletten veya şarj aletinden çıkarın.
5. Uzun bir süre (altı aydan daha fazla) kullanmadığınız durumlarda batarya kartuşunu şarj edin.

PARÇALARIN TANIMI

Model UT001G

► Şek.1

1	Anahtar tetik	2	Güvenlik kilidi düğmesi
3	Kilitleme düğmesi	4	Hız ayar kadranı
5	Hız değiştirme düğmesi	6	Batarya kapağı
7	Tutamak	8	Mil tutucu
9	Mil	10	Karıştırma bıçağı

Model UT002G

► Şek.2

1	Anahtar tetik	2	Güvenlik kilidi düğmesi
3	Kilitleme düğmesi	4	Hız ayar kadranı
5	Hız değiştirme düğmesi	6	Batarya kapağı
7	Tutamak	8	Mandren

KULLANMADAN ÖNCEKİ HAZIRLIKLAR

Kalan batarya kapasitesinin gösterilmesi

Kalan batarya kapasitesini göstermesi için batarya kartuşu üzerindeki kontrol düğmesine basın. Gösterge lambaları birkaç saniye yanar.

► **Şek.3:** 1. Gösterge lambaları 2. Kontrol düğmesi

Gösterge lambaları			Kalan kapasite
Yanıyor	Kapalı	Yanıp sönlüyor	
■	□	▣	
■ ■ ■ ■			%75 ila %100
■ ■ ■ □			%50 ila %75
■ ■ □ □			%25 ila %50
■ □ □ □			%0 ila %25
▣ □ □ □			Bataryayı şarj edin.
■ ■ □ □			Batarya arızalanmış olabilir.
□ □ ■ ■			

NOT: Kullanım koşullarına ve ortam sıcaklığına bağlı olarak, gösterilen değer gerçek kapasiteden biraz farklılık gösterebilir.

NOT: İlk (en soldaki) gösterge lambası, batarya koruma sistemi çalıştığında yanıp söner.

Kullanmadan önce bilmeniz gerekenler

Aleti kullanırken veya taşırken tutamağından tutun.
► **Şek.4**

⚠DİKKAT: Sac kısmından tutmayın. Keskin alanlar yaralanmaya neden olabilir.

Alet/batarya koruma sistemi

Bu alet bir alet/batarya koruma sistemi ile donatılmıştır. Bu sistem motora giden gücü otomatik olarak keserek uzun alet ve batarya ömrü sağlar. Alet veya batarya için aşağıdaki durumlardan biri söz konusu olduğunda aletin işleyişi otomatik olarak durur:

Aşırı yük koruması

Alet/batarya, anormal derecede yüksek akım çekmesine neden olacak şekilde kullanıldığında, alet otomatik olarak durur. Bu durumda, aleti kapatın ve aletin aşırı yüklenmesine neden olan uygulamayı durdurun. Daha sonra aleti yeniden başlaması için çalıştırın.

Aşırı ısınma koruması

Alet/batarya aşırı ısındığında, alet otomatik olarak durur. Bu durumda, yeniden çalıştırmadan önce aletin bataryanın soğumasını bekleyin.

Aşırı deşarj koruması

Batarya kapasitesi düştüğünde, alet otomatik olarak durur. Anahtarlar devredeyken bile ürün çalışmıyorsa, bataryaları aletten çıkarıp şarj edin.

KULLANIM

⚠DİKKAT: Alet üzerinde herhangi bir iş yapmadan önce aletin kapalı ve batarya kartuşunun ayrılmış olduğundan daima emin olun.

ÖNEMLİ NOT: Çalışmıyorken makineyi yere koyun ve saklayın.

► **Şek.5**

Montaj

Milin takılması

İsteğe bağlı aksesuar
UT001G için

1. Mili mil tutucuya takın.
► **Şek.6:** 1. Mil 2. Mil tutucu

2. Mil tutucu üzerindeki düz kısımları mil tutucu dönmeyecek şekilde 19 numara anahtarla tutun. Düz kısımlar tutulu durumda altıgen somunu başka bir 19 numara anahtarla ok yönünde sıkın.

► **Şek.7:** 1. Mil 2. Mil tutucu

UT002G için

1. Mili, mandrene sonuna kadar sokun.
► **Şek.8:** 1. Mil 2. Mandren
2. Mandreni elle sıkın ve daha sonra mandren anahtarını üç deliğinin her birine yerleştirerek saat yönünde sıkın. Üç deliğinin her birini mandren anahtarı ile eşit olarak sıkıştırdığınızdan emin olun.
► **Şek.9:** 1. Mandren anahtarı 2. Mandren
3. Mili çıkarmak için mandren anahtarını deliklerden birinde saatin aksi yönünde çevirin ve daha sonra mandreni elle gevşetin.
4. Kullanılmadığı zamanlarda, mandren anahtarını kaybolmasını önlemek için şekilde gösterildiği gibi saklayın.
► **Şek.10:** 1. Mandren anahtarı

Karıştırma bıçağının takılması

İsteğe bağlı aksesuar

Karıştırma bıçağını mile sokun ve altıgen civata ile sabitleyin. Bu esnada, altıgen civatanın üst ucu her zaman mil üzerindeki düz yüzeye oturacak şekilde konumlandırın ve altıgen civatayı verilen anahtarla sıkın.

- **Şek.11:** 1. Altıgen civata 2. Mil 3. Düz yüzey 4. Karıştırma bıçağı

Karıştırma bıçaklarını iki farklı konuma takarken iki karıştırma bıçağını milin düz kısmına, şekilde gösterildiği gibi karıştırma bıçaklarının aynı yüzeyi birbirine bakacak biçimde monte edin ve altıgen civatalarla sabitleyin.

- **Şek.12:** 1. Altıgen civata 2. Mil 3. Düz yüzey 4. Karıştırma bıçağı

NOT: Hangi karıştırma bıçaklarına izin verildiğini yerel Makita Servis Merkezimize sorun.

Batarya kartuşunun takılması ve çıkarılması

⚠DİKKAT: Batarya kartuşunu takmadan ya da çıkarmadan önce aleti daima kapatın.

⚠DİKKAT: Batarya kartuşunu takarken veya çıkarırken aleti ve batarya kartuşunu sıkıca tutun. Aletin ve batarya kartuşunun sıkıca tutulmaması bunların düşürülmesine sebep olabilir ve alet ve batarya kartuşunun zarar görmesine ya da ciddi yaralanmasına yol açabilir.

⚠DİKKAT: Bu aleti, batarya adaptörü ile kullanmayın. Alete batarya adaptörü bağlarsanız batarya kapağı kapatılmaz ve aletin, batarya kapağı açık durumda kullanılması yaralanmaya neden olabilir.

⚠DİKKAT: Batarya kapağını açıp kapatırken parmaklarınızı sıkıştırmamaya dikkat edin.

ÖNEMLİ NOT: Batarya boyutuna uygun bir batarya kapağı takın.

Batarya kapağı üzerindeki düğmeye basarak batarya kapağını açın.

- **Şek.13:** 1. Düğme 2. Batarya kapağı

Batarya kartuşunu çıkarmak için, kartuşun ön tarafındaki düğmeyi kaydırarak kartuşu aletten çıkarın.

- **Şek.14:** 1. Kırmızı göstergesi 2. Düğme 3. Batarya kartuşu

Batarya kartuşunu takmak için, batarya kartuşu üzerindeki dili yuvanın oluşu ile hizalayın ve kartuşu yerine oturtun. Kartuşu, küçük bir tık sesi ile yerine sabitlenene dek sonuna kadar itin. Şekilde gösterildiği gibi kırmızı göstergesi görebiliyorsanız tam olarak kilitlenmemiş demektir.

Batarya kartuşunu taktıktan sonra batarya kapağını sıkıca kapatın.

⚠DİKKAT: Batarya kartuşunu daima kırmızı göstergesi görünmeyecek şekilde tam olarak takın. Yerine tam oturmazsa, aletten yanlışlıkla düşebilir, sizin ya da çevrenizdeki kişilerin yaralanmasına neden olabilir.

⚠DİKKAT: Batarya kartuşunu zorlayarak takmayın. Kartuş kolay bir şekilde kaymıyorsa doğru yerleştirilmemiş demektir.

Anahtar işlemi

⚠UYARI: Batarya kartuşunu alete takmadan önce anahtar tetiği sonuna kadar çekip bırakarak anahtar tetiğinin doğru çalıştığından ve "OFF" (kapalı) konuma döndüğünden her zaman emin olun.

⚠UYARI: ASLA güvenlik kilidi düğmesini bantlayarak ya da başka bir yöntemle devre dışı bırakmaya çalışmayın. Güvenlik kilidi düğmesi devre dışı bırakılmış bir anahtar, istem dışı çalışmaya ve ciddi kişisel yaralanmalara neden olabilir.

⚠UYARI: Güvenlik kilidi düğmesine basmadan sadece anahtar tetik çekildiğinde çalışıyorsa aleti ASLA kullanmayın. Tamir edilmesi gereken bir anahtar, istem dışı çalışmaya ve ciddi yaralanmalara neden olabilir. Daha fazla kullanmadan ÖNCE tamir ettirmek için aleti bir Makita servis merkezine götürün.

⚠UYARI: Batarya kartuşunu, kilitleme düğmesi devreye alınmış durumda takmayın.

Anahtar tetiğinin kazara çekilmesini önlemek için, bir güvenlik kilidi düğmesi sunulmuştur. Aleti başlatmak için, güvenlik kilidi düğmesine bastırın ve anahtar tetiği çekin.

Anahtar tetiğinin üzerine yapılan baskı artırılarak aletin hızı artırılır. Durdurmak için anahtar tetiği bırakın. Sürekli çalıştırma için, anahtar tetiği çekerken kilitleme düğmesine basın ve ardından anahtar tetiği bırakın. Aleti durdurmak için anahtar tetiği tamamen çekip bırakın.

- **Şek.15:** 1. Anahtar tetik 2. Güvenlik kilidi düğmesi 3. Kilitleme düğmesi

Hız deęiřtirme düęmesinin kullanılması

ÖNEMLİ NOT: Hız deęiřtirme düęmesini yalnızca alet tam durduktan sonra kullanın. Alet durmadan alet hız modunun deęiřtirilmesi alete hasar verebilir.

ÖNEMLİ NOT: Hız deęiřtirme düęmesini her zaman dikkatlice doęru konuma ayarlayın. Hız deęiřtirme düęmesi konum 1 ile konum 2 arasında bir pozisyonda iken aleti kullanırsanız alet zarar görebilir.

ÖNEMLİ NOT: Yüksek hız modunda çalışma sırasında dönüş hızı önemli ölçüde düşerse aleti durdurun ve modu, düşük hız moduna alın. Aksi takdirde motor aşırı yüklenebilir ve bir arıza ya da yangına neden olabilir.

Hız deęiřtirme düęmesi ile iki hız aralığı önceden seçilebilir.

Karıştırılacak malzemeye uygun hız modunu seçin. Hız modunu deęiřtirmek için hız deęiřtirme düęmesini, ibre düşük hız modu için konum 1'deki noktayı veya yüksek hız modu için konum 2'deki noktayı gösterecek şekilde çevirin.

► **Şek.16:** 1. İbre 2. Hız deęiřtirme düęmesi 3. Nokta

Hız ayar kadranının kullanılması

Aletin hızı, hız ayar kadranı çevrilerek kademesiz olarak ayarlanabilir. Anahtar tetik tam çekildiğinde yüksüz hız, düşük hız modunda 270 min⁻¹ ile 500 min⁻¹, yüksek hız modunda 500 min⁻¹ ile 920 min⁻¹ arasında ayarlanabilir. Kadran 5 yönüne çevrildiğinde yüksek hız elde edilir; kadran 1 yönüne çevrildiğinde düşük hız elde edilir. Karıştırılacak malzemeye uygun hızı seçin.

► **Şek.17:** 1. Hız ayar kadranı

ÖNEMLİ NOT: Hız ayar kadranı, yalnızca 5'e kadar ve geriye 1'e kadar çevrilebilir. 5'i veya 1'i geçirmek için zorlamayın.

İstemsiz yeniden başlatma önleyici işlev

Anahtar tetięi çekerken veya anahtar tetięi kilitlerken batarya kartuşu takılırsa alet çalışmaz. Aleti başlatmak için anahtar tetięi bırakın ve ardından anahtar tetięi çekin.

Elektronik işlevi

Alet, kolay kullanım için aşağıdaki elektronik işleviyle donatılmıştır.

Yumuşak başlatma

Yumuşak başlatma işlevi başlangıç şokunu en alt düzeye indirir ve aletin daha rahat başlamasını sağlar.

Temel işlemler

▲DİKKAT: Yanıcı malzemeleri karıştırmayın veya aleti, çözücü olarak tiner kullanılan boya gibi yanıcı malzemelerin etrafında kullanmayın. Aksi takdirde yaralanmaya neden olabilir.

▲DİKKAT: Yüksek viskoziteli malzemeyi yüksek hız modunda karıştırmayın. Aletin kontrolünü kaybedebilir ve yaralanmaya neden olabilirsiniz.

▲DİKKAT: Karıştırma bıçağını karıştırma kabının dışında döndürmeyin.

▲DİKKAT: Kullanım sırasında anormal bir ses duyarmanız anaharı kapatın ve aleti kullanmayı durdurun.

ÖNEMLİ NOT: Karıştırma bıçağı malzemenin üzerinde dururken malzemeyi karıştırdığınızda malzemeyi sıçratmamaya dikkat edin.

ÖNEMLİ NOT: Aleti harç, beton vb. malzemeyi karıştırmak dışında başka amaçlarla kullanmayın.

1. Karıştırılacak malzemeye göre yüksek hız modunu veya düşük hız modunu seçin.
2. Aleti iki elle sıkıca tutun. Karıştırma bıçağını tümüyle malzemenin altına yerleştirin. Malzemenin katılaşmadığını ve çalışma sahasının güvenliğini kontrol edin, ardından aleti açın.
3. Materyalin tamamının karışabilmesi için karıştırma işlemi sırasında karıştırma bıçağını yukarı aşağı hareket ettirin.
4. Karıştırma bittiğinde aleti kapatın. Karıştırma bıçağının tam olarak durduğundan emin olun ve ardından karıştırma kabından dışarı çıkarın.

Uygulamalı işlemler

▲DİKKAT: Alet üzerinde ayarlama veya işlevi kontrolü yapmadan önce aletin kapalı ve batarya kartuşunun ayrılmış olduğundan daima emin olun.

Batarya kapağının deęiřtirilmesi

İsteęe baęlı aksesuar

Batarya kapaklarından, batarya kartuşunuzun boyutuna uygun olanı takın.

► **Şek.18:** 1. Batarya kapağı S 2. Batarya kapağı L 3. Düęme

1. Batarya kapağı üzerindeki düęmeye basarak standart olarak takılı batarya kapağını açın.
2. Standart olarak takılı batarya kapağını sabitleyen vidayı gevşetin. Ardından vidayı, manşonu ve batarya kapağını çıkarın.

► **Şek.19:** 1. Vida 2. Manşon 3. Batarya kapağı (standart olarak takılı)

NOT: Manşon, montaj deliklerinin içinde kalabilir. Bu durumda bir vida veya benzerini kullanarak çekerek dışarı çıkarın.

3. İsteęe baęlı batarya kapağı üzerindeki montaj deliğini gövde üzerindeki montaj delikleriyle hizalayın. Manşonu takın. Ardından vidaları sıkarak yerine sabitleyin.
- **Şek.20:** 1. Vida 2. Manşon 3. Batarya kapağı (isteęe baęlı)
4. Batarya kapağını sıkıca kapatın.

Mil tutucunun takılması veya çıkarılması

ülkeye özgü

UT001G için

İsteğe bağlı olarak mevcut mil tutuculardan, milinizin vida boyutuna uygun olanı takın.

► **Şek.21:** 1. M12 mil tutucu 2. M14 mil tutucu

İği anahtarla tutarak mil tutucuyu başka bir anahtarla gevşetin.

► **Şek.22:** 1. Mil tutucu 2. Anahtar 3. İğ

Mil tutucuyu takmak için, çıkarma prosedürünü tersinden uygulayın.

UT002G için

1. Alyan anahtarını mandrene takın ve ardından iği anahtarla tutarak mandreni alyan anahtarıyla gevşetin.

► **Şek.23:** 1. Alyan anahtarı 2. Mandren 3. Anahtar 4. İğ

2. İği anahtarla tutarak mil tutucuyu başka bir anahtarla sıkın.

► **Şek.24:** 1. Mil tutucu 2. Anahtar 3. İğ

Kullanım sonrası işlemleri

Kullandıktan sonra aletin üzerinde kalan malzemeyi ıslak bir bez veya benzeri ile dikkatlice silin. Deliklerin, anahtar bölgesinin, kapak açıklıklarının vb. baştan sona temizlenmesinde ilave özen gösterilmelidir.

ÖNEMLİ NOT: Aleti suyun içinde temizlemekten kaçının. Motor gövdesinin içine su girer ve motor arızasına neden olur.

BAKIM

⚠DİKKAT: Muayene ya da bakım yapmadan önce aletin kapalı ve batarya kartuşunun çıkartılmış olduğundan daima emin olun.

ÖNEMLİ NOT: Benzin, tiner, alkol ve benzeri maddeleri kesinlikle kullanmayın. Renk değişimi, deformasyon veya çatlaklar oluşabilir.

Aleti EMNİYETLİ ve ÇALIŞMAYA HAZIR durumda tutmak için onarımlar, başka her türlü bakım ve ayarlamalar daima Makita yedek parçaları kullanılarak Makita Yetkili Servis Merkezleri veya Fabrika Servis Merkezleri tarafından yapılmalıdır.

Sorun giderme

Onarım yaptırmaya çalışmadan önce aşağıdaki hususları kontrol edin.

1. Aleti kapatın ve ardından tekrar açarak yeniden çalıştırın.
2. Bataryaları şarj edin veya şarjlı bataryalarla değiştirin.
3. Aletin ve bataryaların soğumasını bekleyin.

Koruma sistemi eski haline getirilerek ilerleme kaydedilemezse yerel Makita Servis Merkezimize başvurun.

İSTEĞE BAĞLI AKSESUARLAR

⚠DİKKAT: Bu aksesuarlar ve ek parçalar bu el kitabında belirtilen Makita aletiniz ile kullanılmak için tavsiye edilmektedir. Herhangi başka bir aksesuar ya da ek parça kullanılması insanlar için bir yaralanma riski getirebilir. Aksesuarları ya da ek parçaları yalnızca belirtilmiş olan kullanım amaçlarına uygun olarak kullanın.

Bu aksesuarlarla ilgili daha fazla bilgiye ihtiyaç duyar-sanız bulunduğunuz yerdeki yetkili Makita servisine başvurun.

- Karıştırma bıçağı
- Mil
- Batarya kapağı
- Orijinal Makita batarya ve şarj aleti

NOT: Listedeki parçaların bazıları alet paketi içerisinde standart aksesuar olarak dahil edilmiş olabilir. Bunlar ülkeden ülkeye farklılık gösterebilir.

Makita Europe N.V. Jan-Baptist Vinkstraat 2,
3070 Kortenberg, Belgium

Makita Corporation 3-11-8, Sumiyoshi-cho,
Anjo, Aichi 446-8502 Japan

www.makita.com

885997-999
EN, FR, DE, IT, NL,
ES, PT, DA, EL, TR
20220818