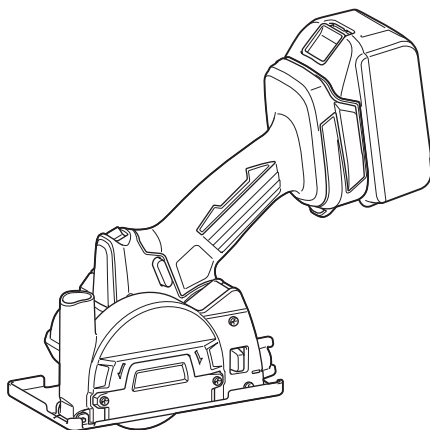




EN	Cordless Compact Cut Off	INSTRUCTION MANUAL	8
FR	Outil de coupe compact sans fil	MANUEL D'INSTRUCTIONS	17
DE	Akku-Winkelschleifer	BETRIEBSANLEITUNG	27
IT	Troncatrice compatta a batteria	ISTRUZIONI PER L'USO	37
NL	Compacte accudoorslijpmachine	GEBRUIKSAANWIJZING	47
ES	Cortador Compacto Inalámbrico	MANUAL DE INSTRUCCIONES	57
PT	Cortadora Angular a Bateria	MANUAL DE INSTRUÇÕES	67
DA	Ledningfri kompakt afskæring	BRUGSANVISNING	77
EL	Φορητό συμπαγές εργαλείο αποκοπής	ΕΓΧΕΙΡΙΔΙΟ ΟΔΗΓΙΩΝ	86
TR	Akülü Kompakt Kesici	KULLANMA KILAVUZU	97

DMC300



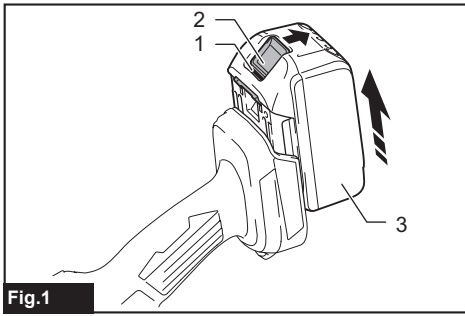


Fig.1

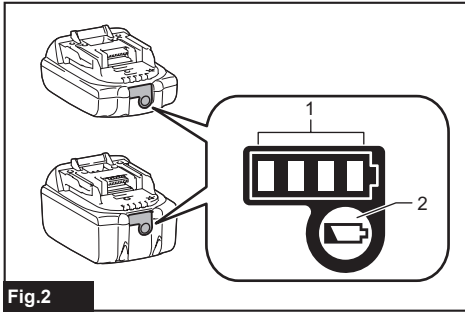


Fig.2

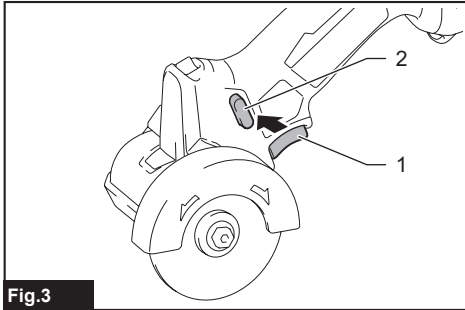


Fig.3

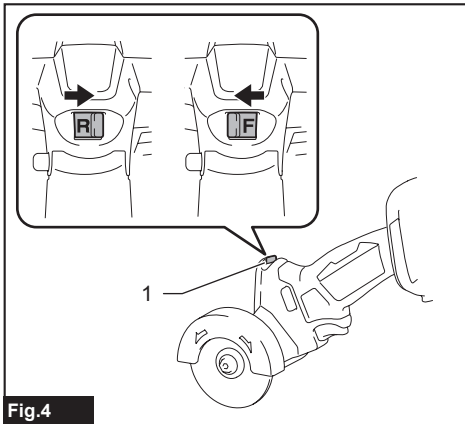


Fig.4

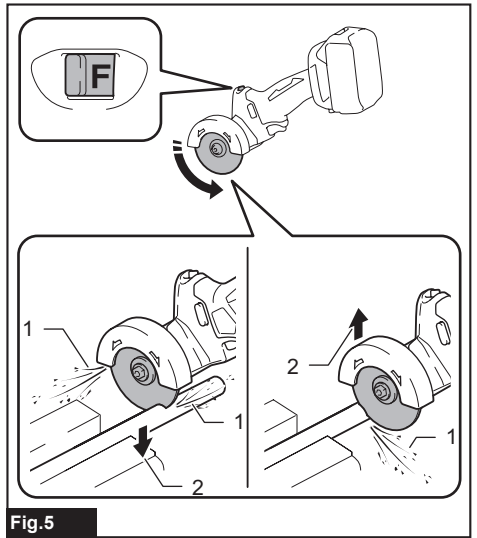


Fig.5

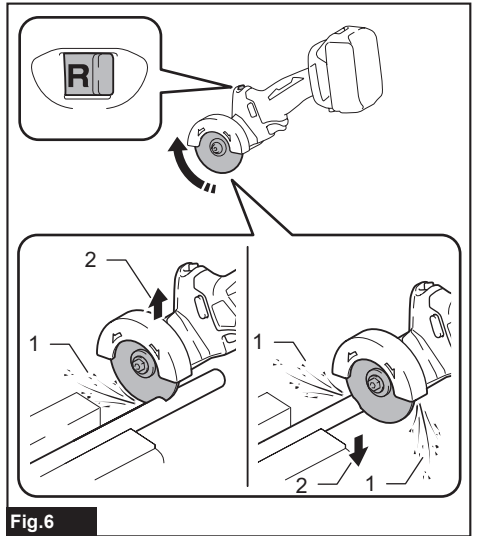


Fig.6

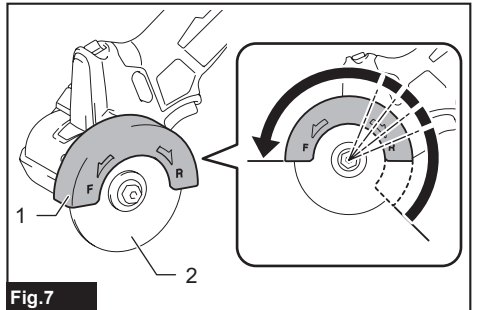
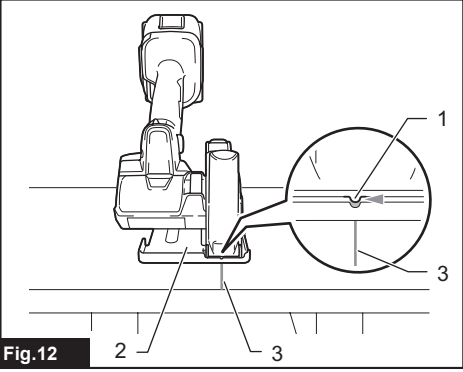
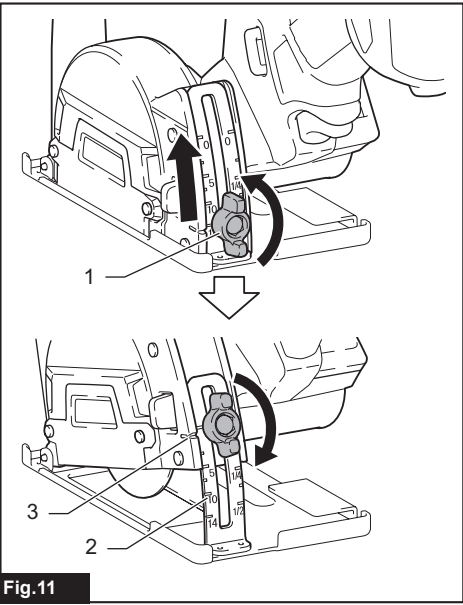
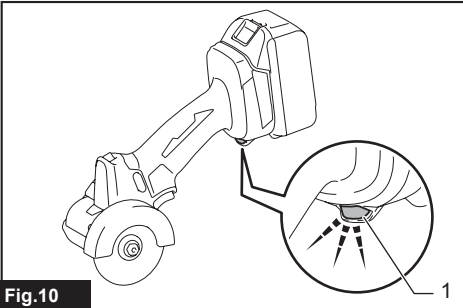
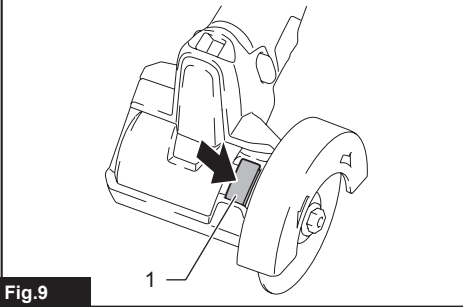
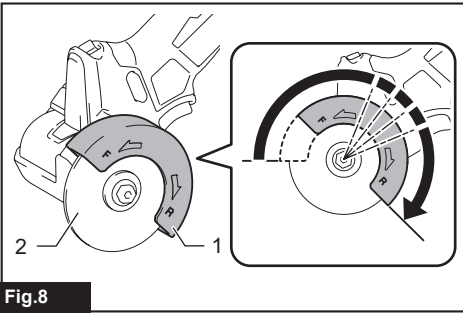


Fig.7



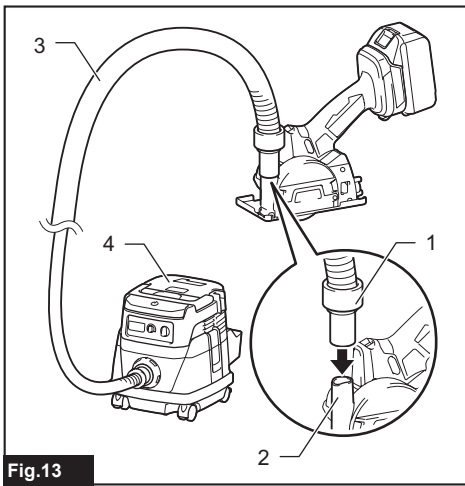


Fig. 13

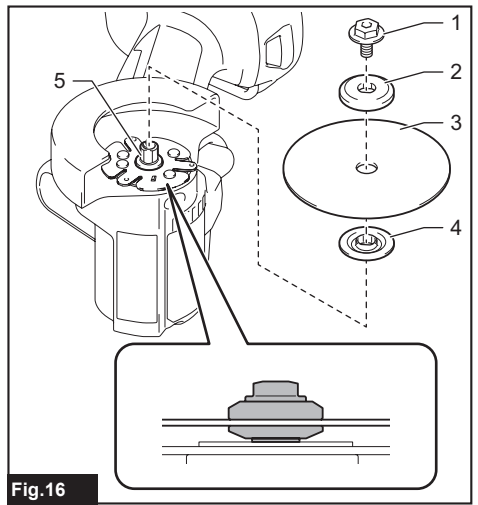


Fig. 16

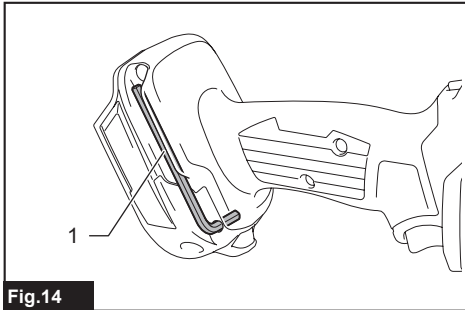


Fig. 14

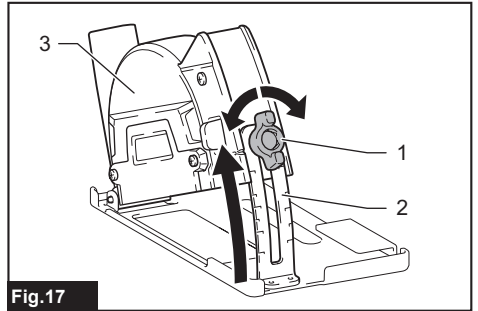


Fig. 17

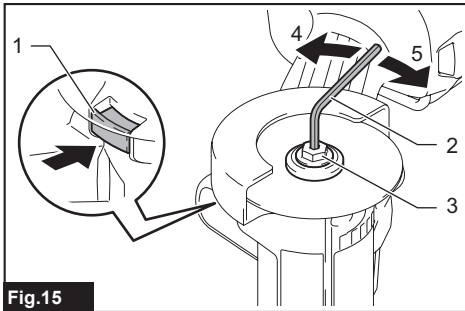


Fig. 15

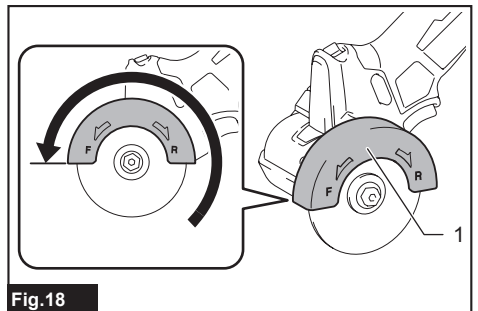
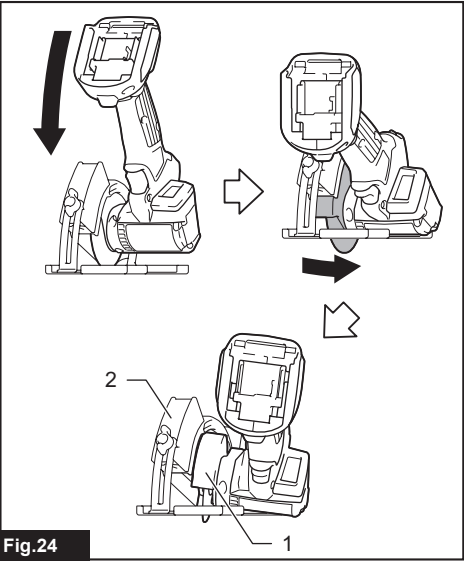
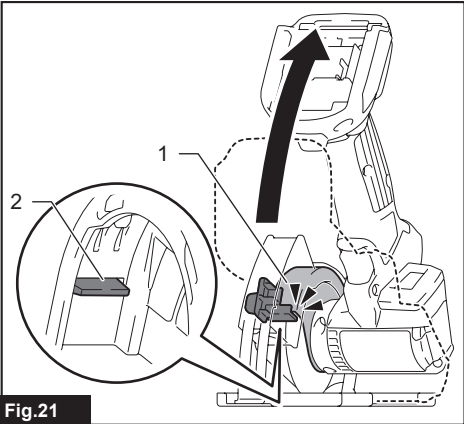
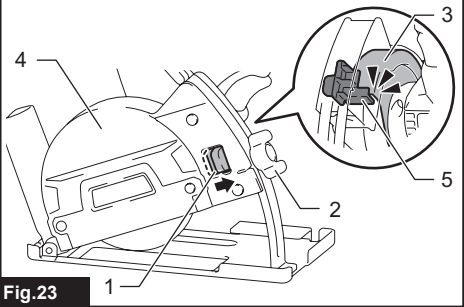
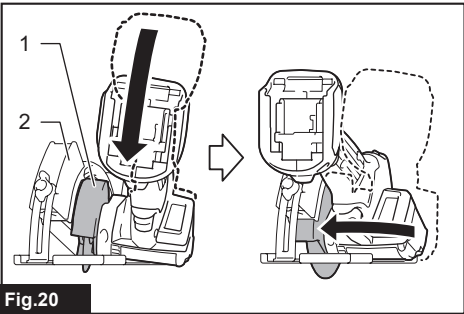
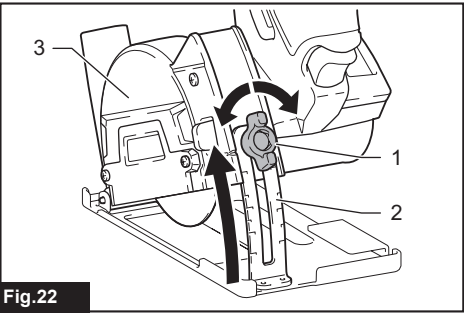
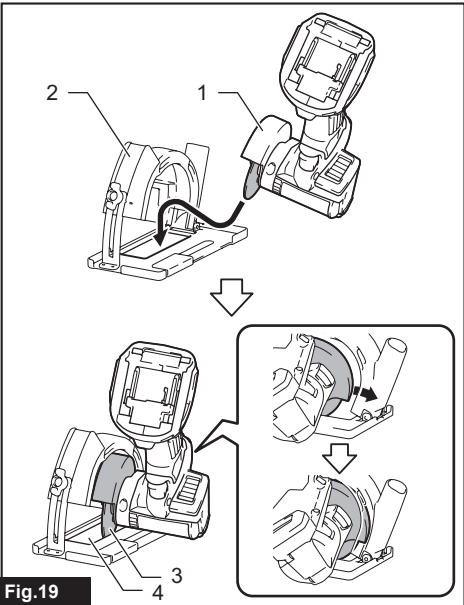
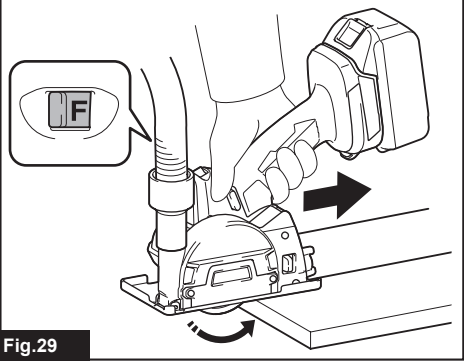
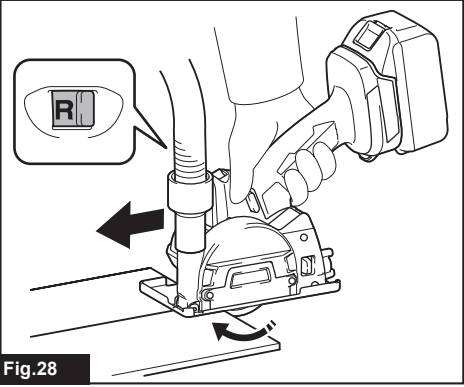
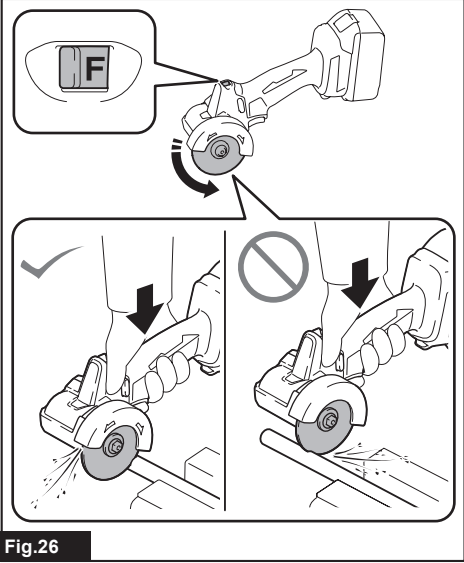
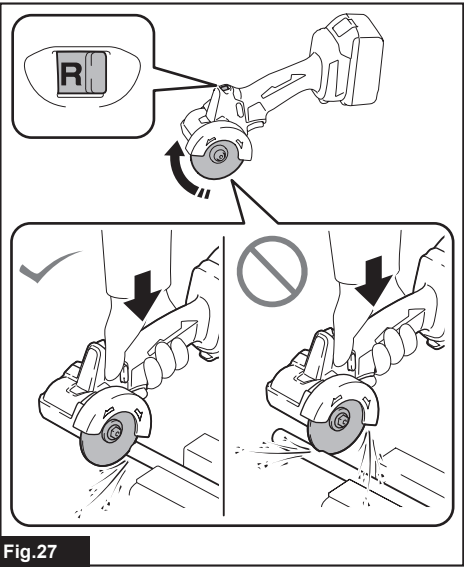
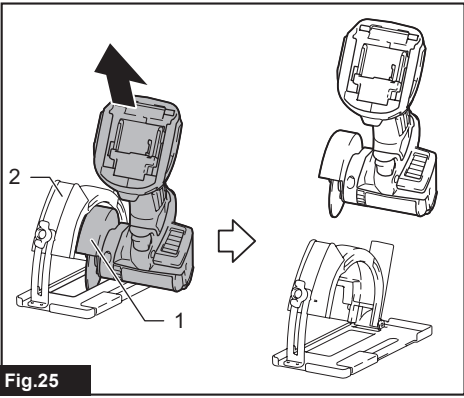
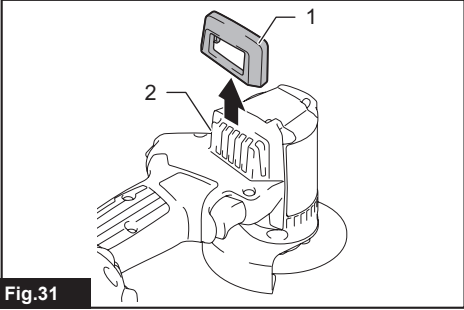
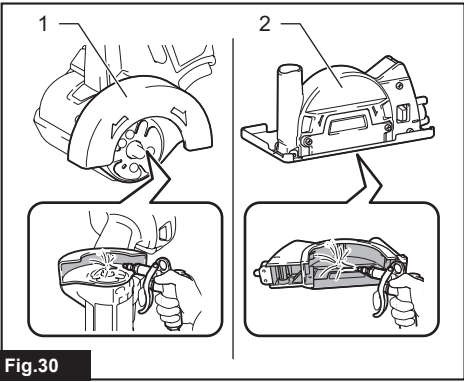


Fig. 18







SPECIFICATIONS

Model:		DMC300
Wheel outer diameter		76 mm
Wheel inner (arbor) diameter		10.0 mm / 9.5 mm (3/8") (country specific)
Max. wheel thickness		1.0 mm
Max. cutting capacities	With dust collect cover	13.5 mm
	Without dust collect cover	16.0 mm
Rated speed (n) / No load speed (n ₀)		20,000 min ⁻¹
Overall length		271 mm *1
Rated voltage		D.C. 18 V
Net weight		1.2 - 1.7 kg

*1. With battery cartridge (BL1860B) / Without dust collection cover

- Due to our continuing program of research and development, the specifications herein are subject to change without notice.
- Specifications and battery cartridge may differ from country to country.
- The weight may differ depending on the attachment(s), including the battery cartridge. The lightest and heaviest combinations, according to EPTA-Procedure 01/2014, are shown in the table.

Applicable battery cartridge and charger

Battery cartridge	BL1815N / BL1820B / BL1830B / BL1840B / BL1850B / BL1860B
Charger	DC18RC / DC18RD / DC18RE / DC18SD / DC18SE / DC18SF / DC18SH / DC18WC

- Some of the battery cartridges and chargers listed above may not be available depending on your region of residence.

⚠WARNING: Only use the battery cartridges and chargers listed above. Use of any other battery cartridges and chargers may cause injury and/or fire.

Intended use

The tool is intended for cutting a sheet, fitting, pipe, tile or wall in metal, plastic, ceramic, plaster and similar composite materials without use of water.

Noise

The typical A-weighted noise level determined according to EN60745-2-22:

Sound pressure level (L_{pA}) : 88 dB (A)

Sound power level (L_{WA}) : 99 dB (A)

Uncertainty (K) : 3 dB (A)

NOTE: The declared noise emission value(s) has been measured in accordance with a standard test method and may be used for comparing one tool with another.

NOTE: The declared noise emission value(s) may also be used in a preliminary assessment of exposure.

⚠WARNING: Wear ear protection.

⚠WARNING: The noise emission during actual use of the power tool can differ from the declared value(s) depending on the ways in which the tool is used especially what kind of workpiece is processed.

⚠WARNING: Be sure to identify safety measures to protect the operator that are based on an estimation of exposure in the actual conditions of use (taking account of all parts of the operating cycle such as the times when the tool is switched off and when it is running idle in addition to the trigger time).

Vibration

The vibration total value (tri-axial vector sum) determined according to EN60745-2-22:

Work mode: concrete cutting (thickness 5 mm)

Vibration emission (a_v) : 3.0 m/s²

Uncertainty (K) : 1.5 m/s²

NOTE: The declared vibration total value(s) has been measured in accordance with a standard test method and may be used for comparing one tool with another.

NOTE: The declared vibration total value(s) may also be used in a preliminary assessment of exposure.

⚠WARNING: The vibration emission during actual use of the power tool can differ from the declared value(s) depending on the ways in which the tool is used especially what kind of workpiece is processed.

⚠WARNING: Be sure to identify safety measures to protect the operator that are based on an estimation of exposure in the actual conditions of use (taking account of all parts of the operating cycle such as the times when the tool is switched off and when it is running idle in addition to the trigger time).

Declarations of Conformity

For European countries only

The Declarations of conformity are included in Annex A to this instruction manual.

SAFETY WARNINGS

General power tool safety warnings

⚠WARNING Read all safety warnings, instructions, illustrations and specifications provided with this power tool. Failure to follow all instructions listed below may result in electric shock, fire and/or serious injury.

Save all warnings and instructions for future reference.

The term "power tool" in the warnings refers to your mains-operated (corded) power tool or battery-operated (cordless) power tool.

Compact cut off safety warnings

- 1. The guard provided with the tool must be securely attached to the power tool and positioned for maximum safety, so the least amount of wheel is exposed towards the operator. Position yourself and bystanders away from the plane of the rotating wheel.** The guard helps to protect operator from broken wheel fragments and accidental contact with wheel.
- 2. Use only bonded reinforced or diamond cut-off wheels for your power tool.** Just because an accessory can be attached to your power tool, it does not assure safe operation.
- 3. The rated speed of the accessory must be at least equal to the maximum speed marked on the power tool.** Accessories running faster than their rated speed can break and fly apart.
- 4. Wheels must be used only for recommended applications. For example: do not grind with the side of cut-off wheel.** Abrasive cut-off wheels are intended for peripheral grinding, side forces applied to these wheels may cause them to shatter.
- 5. Always use undamaged wheel flanges that are of correct diameter for your selected wheel.** Proper wheel flanges support the wheel thus reducing the possibility of wheel breakage.
- 6. Do not use worn down reinforced wheels from larger power tools.** Wheels intended for a larger power tool are not suitable for the higher speed of a smaller tool and may burst.
- 7. The outside diameter and the thickness of your accessory must be within the capacity rating of your power tool.** Incorrectly sized accessories cannot be adequately guarded or controlled.
- 8. The arbour size of wheels and flanges must properly fit the spindle of the power tool.** Wheels and flanges with arbour holes that do not match the mounting hardware of the power tool will run out of balance, vibrate excessively and may cause loss of control.
- 9. Do not use damaged wheels. Before each use, inspect the wheels for chips and cracks. If power tool or wheel is dropped, inspect for damage or install an undamaged wheel. After inspecting and installing the wheel, position yourself and bystanders away from the plane of the rotating wheel and run the power tool at maximum no load speed for one minute.** Damaged wheels will normally break apart during this test time.
- 10. Wear personal protective equipment. Always wear hearing protection. Depending on application, use face shield, safety goggles or safety glasses. As appropriate, wear dust mask, gloves and shop apron capable of stopping small abrasive or workpiece fragments.** The eye protection must be capable of stopping flying debris generated by various operations. The dust mask or respirator must be capable of filtering particles generated by your operation. Prolonged exposure to high intensity noise may cause hearing loss.
- 11. Keep bystanders a safe distance away from work area. Anyone entering the work area must wear personal protective equipment.** Fragments of workpiece or of a broken wheel may fly away and cause injury beyond immediate area of operation.
- 12. Hold the power tool by insulated gripping surfaces only, when performing an operation where the cutting accessory may contact hidden wiring.** Cutting accessory contacting a "live" wire may make exposed metal parts of the power tool "live" and could give the operator an electric shock.
- 13. Never lay the power tool down until the accessory has come to a complete stop.** The spinning wheel may grab the surface and pull the power tool out of your control.
- 14. Do not run the power tool while carrying it at your side.** Accidental contact with the spinning accessory could snag your clothing, pulling the accessory into your body.
- 15. Regularly clean the power tool's air vents.** The motor's fan will draw the dust inside the housing and excessive accumulation of powdered metal may cause electrical hazards.

16. **Do not operate the power tool near flammable materials.** Sparks could ignite these materials.
17. **Do not use accessories that require liquid coolants.** Using water or other liquid coolants may result in electrocution or shock.

Kickback and related warnings

Kickback is a sudden reaction to a pinched or snagged rotating wheel. Pinching or snagging causes rapid stalling of the rotating wheel which in turn causes the uncontrolled power tool to be forced in the direction opposite of the wheel's rotation at the point of the binding.

For example, if an abrasive wheel is snagged or pinched by the workpiece, the edge of the wheel that is entering into the pinch point can dig into the surface of the material causing the wheel to climb out or kick out. The wheel may either jump toward or away from the operator, depending on direction of the wheel's movement at the point of pinching. Abrasive wheels may also break under these conditions.

Kickback is the result of power tool misuse and/or incorrect operating procedures or conditions and can be avoided by taking proper precautions as given below.

1. **Maintain a firm grip on the power tool and position your body and arm to allow you to resist kickback forces. Always use auxiliary handle, if provided, for maximum control over kickback or torque reaction during start-up.** The operator can control torque reactions or kickback forces, if proper precautions are taken.
2. **Never place your hand near the rotating accessory.** Accessory may kickback over your hand.
3. **Do not position your body in line with the rotating wheel.** Kickback will propel the tool in direction opposite to the wheel's movement at the point of snagging.
4. **Use special care when working corners, sharp edges etc. Avoid bouncing and snagging the accessory.** Corners, sharp edges or bouncing have a tendency to snag the rotating accessory and cause loss of control or kickback.
5. **Do not attach a saw chain, woodcarving blade, segmented diamond wheel with a peripheral gap greater than 10 mm or toothed saw blade.** Such blades create frequent kickback and loss of control.
6. **Do not "jam" the wheel or apply excessive pressure. Do not attempt to make an excessive depth of cut.** Overstressing the wheel increases the loading and susceptibility to twisting or binding of the wheel in the cut and the possibility of kickback or wheel breakage.
7. **When wheel is binding or when interrupting a cut for any reason, switch off the power tool and hold the power tool motionless until the wheel comes to a complete stop. Never attempt to remove the wheel from the cut while the wheel is in motion otherwise kickback may occur.** Investigate and take corrective action to eliminate the cause of wheel binding.
8. **Do not restart the cutting operation in the workpiece. Let the wheel reach full speed and carefully re-enter the cut.** The wheel may bind, walk up or kickback if the power tool is restarted in the workpiece.

9. **Support panels or any oversized workpiece to minimize the risk of wheel pinching and kickback.** Large workpieces tend to sag under their own weight. Supports must be placed under the workpiece near the line of cut and near the edge of the workpiece on both sides of the wheel.
10. **Use extra caution when making a "pocket cut" into existing walls or other blind areas.** The protruding wheel may cut gas or water pipes, electrical wiring or objects that can cause kickback.
11. **Before using a segmented diamond wheel, make sure that the diamond wheel has the peripheral gap between segments of 10 mm or less, only with a negative rake angle.**

Additional Safety Warnings:

1. **Never attempt to cut with the tool held upside down in a vise.** This can lead to serious accidents, because it is extremely dangerous.
2. **Check that the workpiece is properly supported.**
3. **Some material contains chemicals which may be toxic. Take caution to prevent dust inhalation and skin contact. Follow material supplier safety data.**
4. **Store wheels as per manufacturer recommendations.** Improper storage may damage the wheels.

SAVE THESE INSTRUCTIONS.

⚠WARNING: DO NOT let comfort or familiarity with product (gained from repeated use) replace strict adherence to safety rules for the subject product. MISUSE or failure to follow the safety rules stated in this instruction manual may cause serious personal injury.

Important safety instructions for battery cartridge

1. **Before using battery cartridge, read all instructions and cautionary markings on (1) battery charger, (2) battery, and (3) product using battery.**
2. **Do not disassemble or tamper with the battery cartridge.** It may result in a fire, excessive heat, or explosion.
3. **If operating time has become excessively shorter, stop operating immediately. It may result in a risk of overheating, possible burns and even an explosion.**
4. **If electrolyte gets into your eyes, rinse them out with clear water and seek medical attention right away. It may result in loss of your eyesight.**
5. **Do not short the battery cartridge:**
 - (1) **Do not touch the terminals with any conductive material.**
 - (2) **Avoid storing battery cartridge in a container with other metal objects such as nails, coins, etc.**
 - (3) **Do not expose battery cartridge to water or rain.**

A battery short can cause a large current flow, overheating, possible burns and even a breakdown.

6. Do not store and use the tool and battery cartridge in locations where the temperature may reach or exceed 50 °C (122 °F).
7. Do not incinerate the battery cartridge even if it is severely damaged or is completely worn out. The battery cartridge can explode in a fire.
8. Do not nail, cut, crush, throw, drop the battery cartridge, or hit against a hard object to the battery cartridge. Such conduct may result in a fire, excessive heat, or explosion.
9. Do not use a damaged battery.
10. The contained lithium-ion batteries are subject to the Dangerous Goods Legislation requirements.
For commercial transports e.g. by third parties, forwarding agents, special requirement on packaging and labeling must be observed.
For preparation of the item being shipped, consulting an expert for hazardous material is required.
Please also observe possibly more detailed national regulations.
Tape or mask off open contacts and pack up the battery in such a manner that it cannot move around in the packaging.
11. When disposing the battery cartridge, remove it from the tool and dispose of it in a safe place. Follow your local regulations relating to disposal of battery.
12. Use the batteries only with the products specified by Makita. Installing the batteries to non-compliant products may result in a fire, excessive heat, explosion, or leak of electrolyte.
13. If the tool is not used for a long period of time, the battery must be removed from the tool.
14. During and after use, the battery cartridge may take on heat which can cause burns or low temperature burns. Pay attention to the handling of hot battery cartridges.
15. Do not touch the terminal of the tool immediately after use as it may get hot enough to cause burns.
16. Do not allow chips, dust, or soil stuck into the terminals, holes, and grooves of the battery cartridge. It may cause heating, catching fire, burst and malfunction of the tool or battery cartridge, resulting in burns or personal injury.
17. Unless the tool supports the use near high-voltage electrical power lines, do not use the battery cartridge near high-voltage electrical power lines. It may result in a malfunction or breakdown of the tool or battery cartridge.
18. Keep the battery away from children.

SAVE THESE INSTRUCTIONS.

CAUTION: Only use genuine Makita batteries. Use of non-genuine Makita batteries, or batteries that have been altered, may result in the battery bursting causing fires, personal injury and damage. It will also void the Makita warranty for the Makita tool and charger.

Tips for maintaining maximum battery life

1. Charge the battery cartridge before completely discharged. Always stop tool operation and charge the battery cartridge when you notice less tool power.
2. Never recharge a fully charged battery cartridge. Overcharging shortens the battery service life.
3. Charge the battery cartridge with room temperature at 10 °C - 40 °C (50 °F - 104 °F). Let a hot battery cartridge cool down before charging it.
4. When not using the battery cartridge, remove it from the tool or the charger.
5. Charge the battery cartridge if you do not use it for a long period (more than six months).

FUNCTIONAL DESCRIPTION

CAUTION: Always be sure that the tool is switched off and the battery cartridge is removed before adjusting or checking function on the tool.

Installing or removing battery cartridge

CAUTION: Always switch off the tool before installing or removing of the battery cartridge.

CAUTION: Hold the tool and the battery cartridge firmly when installing or removing battery cartridge. Failure to hold the tool and the battery cartridge firmly may cause them to slip off your hands and result in damage to the tool and battery cartridge and a personal injury.

► Fig. 1: 1. Red indicator 2. Button 3. Battery cartridge

To remove the battery cartridge, slide it from the tool while sliding the button on the front of the cartridge.

To install the battery cartridge, align the tongue on the battery cartridge with the groove in the housing and slip it into place. Insert it all the way until it locks in place with a little click. If you can see the red indicator as shown in the figure, it is not locked completely.

CAUTION: Always install the battery cartridge fully until the red indicator cannot be seen. If not, it may accidentally fall out of the tool, causing injury to you or someone around you.

CAUTION: Do not install the battery cartridge forcibly. If the cartridge does not slide in easily, it is not being inserted correctly.

Indicating the remaining battery capacity

Only for battery cartridges with the indicator

► Fig.2: 1. Indicator lamps 2. Check button

Press the check button on the battery cartridge to indicate the remaining battery capacity. The indicator lamps light up for a few seconds.

Indicator lamps			Remaining capacity
Lighted	Off	Blinking	
■	□	▧	75% to 100%
■ ■ ■ ■			
■ ■ ■ □			50% to 75%
■ ■ □ □			25% to 50%
■ □ □ □			0% to 25%
▧ □ □ □			Charge the battery.
■ ■ □ □			The battery may have malfunctioned.
□ □ ■ ■			

NOTE: Depending on the conditions of use and the ambient temperature, the indication may differ slightly from the actual capacity.

NOTE: The first (far left) indicator lamp will blink when the battery protection system works.

Tool / battery protection system

The tool is equipped with a tool/battery protection system. This system automatically cuts off power to the motor to extend tool and battery life. The tool will automatically stop during operation if the tool or battery is placed under one of the following conditions.

Overload protection

When the tool/battery is operated in a manner that causes it to draw an abnormally high current, the tool stops automatically and the operation lamp will blink. In this situation, turn the tool off and stop the application that caused the tool to become overloaded. Then turn the tool on to restart.

Overheat protection

When the tool/battery is overheated, the tool stops automatically and the operation lamp will blink. In this situation, let the tool cool down before turning the tool on again.

Overdischarge protection

When the battery capacity becomes low, the tool stops automatically. If the tool does not run along with the switch operation, remove the battery from the tool and charge it.

Protections against other causes

Protection system is also designed for other causes that could damage the tool and allows the tool to stop automatically. Take all the following steps to clear the causes, when the tool has been brought to a temporary halt or stop in operation.

1. Turn the tool off, and then turn it on again to restart.
2. Charge the battery(ies) or replace it/them with recharged battery(ies).
3. Let the tool and battery(ies) cool down.

If no improvement can be found by restoring protection system, then contact your local Makita Service Center.

Switch action

⚠WARNING: NEVER use the tool if it runs when you simply pull the switch trigger without pressing the lock-off button. A switch in need of repair may result in unintentional operation and serious personal injury. Return tool to a Makita service center for proper repairs BEFORE further usage.

⚠WARNING: NEVER defeat the lock-off button by taping down or some other means. A switch with a negated lock-off button may result in unintentional operation and serious personal injury.

⚠CAUTION: Before installing the battery cartridge into the tool, always check to see that the switch trigger actuates properly and returns to the "OFF" position when released.

⚠CAUTION: Do not pull the switch trigger hard without pressing in the lock-off button. This can cause switch breakage.

⚠CAUTION: The tool starts to brake the wheel rotation immediately after you release the switch trigger. Hold the tool firmly to respond the reaction of the brake when releasing the switch trigger. Sudden reaction can drop the tool off your hand and can cause a personal injury.

To prevent the switch trigger from being accidentally pulled, a lock-off button is provided. To start the tool, press and hold the lock-off button, and then pull the switch trigger. Release the switch trigger to stop.

► Fig.3: 1. Switch trigger 2. Lock-off button

Wheel selection

⚠CAUTION: The outside diameter, thickness and rated speed of your accessory must be within the capacity rating of your power tool.

⚠CAUTION: Wheels must be used only for recommended applications.

Select one of the most appropriate types of cutting wheels according to your application.

Wheel type	Practical applications
Cut off wheel	Cutting steel, stainless steel, metals
Tungsten carbide grit wheel	Cutting plastics, plaster, composite materials
Diamond Wheel	Cutting tiles, ceramics

Wheel rotation direction

CAUTION: Always check the direction of rotation before operation.

CAUTION: Use the reversing switch only after the tool comes to a complete stop. A sudden switch in rotation direction during operation brings the tool to a sharp stop for safety reasons.

Wheel rotation can be changed in either forward or reverse direction.

To set the forward rotation, slide the reversing switch to the left until "F" indication appears on the switch.

To select the reverse rotation, slide the reversing switch to the right until "R" indication appears on the switch.

► Fig.4: 1. Reversing switch

Chips, debris, sparks, and cutting particles tend to fly off along a tangent direction of the wheel rotation. Use the wheel guard effectively to avoid continued exposure towards cut-off particles so it can discharge some of cutting dust and particles into an alternative direction.

A reaction to a rapid stalling of the rotating wheel could make the tool uncontrolled in the direction opposite to the wheel rotation.

Forward rotation

► Fig.5: 1. Cut-off particles 2. Reactions

Reverse rotation

► Fig.6: 1. Cut-off particles 2. Reactions

Wheel guard

CAUTION: Make sure that the wheel guard is correctly and firmly positioned behind the cutting wheel before operation.

Secure the wheel guard in a comfortable position, for maximum safety and minimum exposure to possible risk factors, according to your work conditions and preferences.

Positioning forwards

► Fig.7: 1. Wheel guard 2. Cutting wheel

Positioning backwards

► Fig.8: 1. Wheel guard 2. Cutting wheel

Shaft lock

Press the shaft lock to prevent spindle rotation when installing and removing a cutting wheel.

► Fig.9: 1. Shaft lock

NOTICE: Never actuate the shaft lock when the spindle is moving. The tool may be damaged.

Operation lamp

CAUTION: Do not look in the light or see the source of light directly.

To turn on the operation lamp, press and hold the lock-off button and pull the switch trigger.

The lamp goes out approximately 15 seconds after releasing the switch trigger.

► Fig.10: 1. Operation lamp

NOTICE: When the tool is operated with excessive load, the operation lamp flashes. In this situation, release the switch trigger, and then reduce the load on the tool before operating again.

NOTICE: When the tool is overheated, the operation lamp flashes. In this case, release the switch trigger, and then cool down the tool/battery before operating again.

NOTE: Use a dry cloth to wipe the dirt off the lens of the lamp. Be careful not to scratch the lens of lamp, or it may lower the illumination.

Adjusting depth of cut

CAUTION: After adjusting the depth of cut, always tighten the thumb screw securely.

With the dust collection cover installed, fine adjustments in the cutting depth can be made up to 13.5 mm.

Loosen the thumb screw on the depth scale. Lift or lower the tool handle into position to align the depth indicators on the cover with your desired cutting depth on the scale. Then tightening the thumb screw.

► Fig.11: 1. Thumb screw 2. Depth scale 3. Depth indicator

CAUTION: For clean and safe cutting, set the cutting depths so that a cutting wheel overpasses the undersurface of workpiece by 2.0 mm or less. Setting in proper cutting depths helps to reduce potential for dangerous kickbacks which may cause personal injury.

Sighting for straight cutting

With the dust collection cover installed, straight cut operation can safely be performed by aligning the cutting wheel toward the cutting direction before the actual cut operation.

Align the guide notch in the base of dust collection cover with your intended cutting line on the workpiece.

► Fig.12: 1. Guide notch 2. Base 3. Cutting line

Connecting a vacuum cleaner

Optional accessory

When you wish to perform clean cutting operation, connect a Makita vacuum cleaner to the dust nozzle in the dust collection cover using a front cuffs 22 (optional accessory).

► Fig.13: 1. Front cuffs 22 2. Dust nozzle 3. Hose 4. Vacuum cleaner

Accidental re-start preventive function

When installing the battery cartridge while pulling the switch trigger, the tool will not start.

To start the tool, release the switch trigger first. Press and hold the lock-off button, and then pull the switch trigger.

Electronic function

The tool is equipped with the electronic functions for easy operation.

- **Electric brake**
This tool is equipped with an electric brake. If the tool consistently fails to quickly cease to function after the switch trigger is released, have the tool serviced at a Makita service center.
- **Constant speed control**
The speed control function provides the constant rotation speed regardless of load conditions.
- **Active Feedback sensing Technology**
The tool electronically detects situations in which the cutting wheel may be at risk to be bound. In the situation, the tool automatically stops to prevent further rotation of the spindle (it does not prevent kickback). In this case, release the switch trigger first, remove the cause of sudden drop in the rotation speed, and then pull the switch trigger to restart the tool.

ASSEMBLY

CAUTION: Always be sure that the tool is switched off and the battery cartridge is removed before carrying out any work on the tool.

Hex wrench storage

When not in use, store the hex wrench as shown in the figure to keep it from being lost.

- **Fig.14:** 1. Hex wrench

Removing and installing cutting wheel

CAUTION: Use only the Makita hex wrench supplied to remove and install a cutting wheel.

CAUTION: When installing a cutting wheel, be sure to tighten the bolt securely.

NOTICE: When installing a diamond wheel for its best performance, always make sure that the arrows on the diamond wheel point in the same direction as your desired wheel rotation.

To remove a cutting wheel, press the shaft lock fully so that the cutting wheel cannot revolve and use the hex wrench to loosen the hex bolt counterclockwise. Then remove the hex bolt, outer flange and cutting wheel.

- **Fig.15:** 1. Shaft lock 2. Hex wrench 3. Hex bolt 4. Loosen 5. Tighten

NOTICE: If the inner flange is removed, place it back onto the spindle with its wheel mounting part facing upwards.

To install a cutting wheel, follow the removal procedure in reverse.

- **Fig.16:** 1. Hex bolt 2. Outer flange 3. Cutting wheel 4. Inner flange 5. Spindle

Installing and removing dust collection cover

CAUTION: Make sure that the wheel guard is securely locked by the stopper inside the dust collection cover before operation.

CAUTION: Avoid using the dust collection cover for metalwork which creates heats and flying sparks as it may melt the plastic components of the dust collection cover.

The dust collection cover enhances safe and efficient cutting operation, providing a safeguard against rotating wheel, cutting stability, precise control over cutting depth, and dust extraction solutions, especially at tile, plaster, stoneware cuttings.

Installing dust collection cover

1. Loosen the thumb screw on the depth scale of the dust collection cover. Lift the cover fully up, and then tighten the thumb screw to secure the dust collection cover in a raised position.

- **Fig.17:** 1. Thumb screw 2. Depth scale 3. Dust collection cover

2. Set the wheel guard on the tool in a forward position.

- **Fig.18:** 1. Wheel guard

3. Raise the tool handle slightly and place the front half of the wheel guard at an angle into the dust collection cover, throwing the bottom of the cutting wheel down through the wheel slot in the base.

- **Fig.19:** 1. Wheel guard 2. Dust collection cover 3. Cutting wheel 4. Wheel slot

4. Install the rear half of the wheel guard in the dust collection cover, while lowering the tool handle from a raised position to a down position.

- **Fig.20:** 1. Wheel guard 2. Dust collection cover

5. Raise the tool handle again to hook the rear edge of the wheel guard over the stopper inside the dust collection cover.

- **Fig.21:** 1. Wheel guard 2. Stopper

6. Loosen the thumb screw. Swing the tool up and down at your desired cutting depth. Then tighten the thumb screw to secure the tool in place.

Removing dust collection cover

1. Loosen the thumb screw on the depth scale of the dust collection cover. Lift the tool handle fully up, and then tighten the thumb screw to secure the dust collection cover in a raised position.

- **Fig.22:** 1. Thumb screw 2. Depth scale 3. Dust collection cover

2. Slide the release lever towards the thumb screw to unlock the wheel guard from the stopper inside the dust collection cover.

- **Fig.23:** 1. Release lever 2. Thumb screw 3. Wheel guard 4. Dust collection cover 5. Stopper

3. Dismount the rear half of the wheel guard from the dust collection cover, while lowering the tool handle from a raised position to a down position.

► Fig.24: 1. Wheel guard 2. Dust collection cover

4. Pull the front half of the wheel guard, at a slight upward and outward angle, apart from the dust collection cover.

► Fig.25: 1. Wheel guard 2. Dust collection cover

OPERATION

CAUTION: Always maintain a firm grip on the tool during operation.

CAUTION: Do not force the tool. Forcing and exerting excessive pressure or allowing the wheel to bend, pinch or twist in the cut can cause overheating of the motor and dangerous kickback of the tool.

CAUTION: When cutting plastics, be sure not to overheat the cutting wheel. It may result in melting the workpiece.

CAUTION: Do not bang or bump a cutting wheel when starting or during operation.

CAUTION: Always wear safety goggles or a face shield during operation.

CAUTION: After operation, always switch off the tool and wait until the wheel has come to a complete stop before putting the tool down.

Down cutting

NOTICE: Exercise due care about using an effective cutting surface of the wheel so as to avoid exposure towards cut-off particles.

NOTICE: Keep a cutting wheel stand straight in workpiece and avoid tilting or swinging the tool during operation.

Position the wheel guard correctly to provide maximum protection from sparks and loose particles thrown from the cutting wheel. Place the tool over workpiece without the cutting wheel making any contact. Turn the tool on and wait until the cutting wheel attains full speed. Then slowly lower the tool over the workpiece surface, using a moderate feed suited to your applications.

Forward rotation

► Fig.26

Reverse rotation

► Fig.27

Straight cutting

CAUTION: Be sure that a cutting wheel always works in an up-grinding motion. It otherwise may cause the tool to be pushed uncontrolled out of the cut.

NOTICE: Keep your cutting line straight and apply steady pressure to obtain a uniform cut through workpiece.

Set the base plate of dust collection cover on workpiece to be cut without the cutting wheel making any contact. Turn the tool on and wait until the cutting wheel attains full speed. Then slowly move the tool over the workpiece surface, keeping it flat and advancing smoothly until the cutting is completed.

Select the reverse rotation for push cutting, and the forward rotation for pull cutting.

Push cutting in reverse rotation

► Fig.28

Pull cutting in forward rotation

► Fig.29

NOTE: Be aware that the dust collection cover tends to function less effectively in pull cutting as some cutting particles spread inside the cover against the dust extraction flow.

MAINTENANCE

CAUTION: Always be sure that the tool is switched off and the battery cartridge is removed before attempting to perform inspection or maintenance.

NOTICE: Never use gasoline, benzine, thinner, alcohol or the like. Discoloration, deformation or cracks may result.

To maintain product SAFETY and RELIABILITY, repairs, any other maintenance or adjustment should be performed by Makita Authorized or Factory Service Centers, always using Makita replacement parts.

Dressing diamond wheel

If the cutting action of the diamond wheel begins to diminish, use an old discarded coarse grit bench grinder wheel or concrete block to dress the diamond wheel. To do this, tightly secure the bench grinder wheel or concrete block and cut in it.

After use

Clean the dust inside the tool by running the tool at an idle for a while. Accumulation of dust in the motor may cause a malfunction of the tool.

Cleaning wheel guard and dust collection cover

Clean inside the wheel guard and dust collection cover at regular intervals. Blow or wipe off any dirt or dust accumulated in them.

► **Fig.30:** 1. Wheel guard 2. Dust collection cover

Air vent cleaning

Clean the air vents of the tool at regular intervals for smooth air circulation. Remove the dust cover from inhalation vent and clean it whenever it becomes dirt and clogged.

► **Fig.31:** 1. Dust cover 2. Inhalation vent

OPTIONAL ACCESSORIES

⚠ CAUTION: These accessories or attachments are recommended for use with your Makita tool specified in this manual. The use of any other accessories or attachments might present a risk of injury to persons. Only use accessory or attachment for its stated purpose.

If you need any assistance for more details regarding these accessories, ask your local Makita Service Center.

- Cut off wheel
- Diamond wheel
- Tungsten carbide grit wheel
- Hex wrench
- Makita genuine battery and charger

NOTE: Some items in the list may be included in the tool package as standard accessories. They may differ from country to country.

SPÉCIFICATIONS

Modèle :		DMC300
Diamètre externe du disque		76 mm
Diamètre interne de disque (arbre)		10,0 mm / 9,5 mm (3/8") (propre au pays)
Épaisseur max. du disque		1,0 mm
Capacités de coupe max.	Avec couvercle du collecteur de poussières	13,5 mm
	Sans couvercle du collecteur de poussières	16,0 mm
Vitesse nominale (n)/Vitesse à vide (n ₀)		20 000 min ⁻¹
Longueur totale		271 mm *1
Tension nominale		C.C. 18 V
Poids net		1,2 - 1,7 kg

*1. Avec batterie (BL1860B) / Sans couvercle du collecteur de poussières

- Étant donné l'évolution constante de notre programme de recherche et de développement, les spécifications contenues dans ce manuel sont sujettes à modification sans préavis.
- Les spécifications et la batterie peuvent être différentes suivant les pays.
- Le poids peut être différent selon les accessoires, notamment la batterie. Les associations la plus légère et la plus lourde, conformément à la procédure EPTA 01/2014, sont indiquées dans le tableau.

Batterie et chargeur applicables

Batterie	BL1815N / BL1820B / BL1830B / BL1840B / BL1850B / BL1860B
Chargeur	DC18RC / DC18RD / DC18RE / DC18SD / DC18SE / DC18SF / DC18SH / DC18WC

- Certains chargeurs et batteries répertoriés ci-dessus peuvent ne pas être disponibles selon la région où vous résidez.

⚠ AVERTISSEMENT : N'utilisez que les batteries et les chargeurs répertoriés ci-dessus. L'utilisation d'autres batteries et chargeurs peut provoquer des blessures et/ou un incendie.

Utilisations

L'outil est conçu pour couper des tôles, raccords, tuyaux, dalles ou murs en métal, plastique, céramique, plâtre et autres matériaux composites semblables sans utiliser d'eau.

Bruit

Niveau de bruit pondéré A typique, déterminé selon EN60745-2-22 :

Niveau de pression sonore (L_{pA}) : 88 dB (A)

Niveau de puissance sonore (L_{WA}) : 99 dB (A)

Incertitude (K) : 3 dB (A)

NOTE : La ou les valeurs d'émission de bruit déclarées ont été mesurées conformément à la méthode de test standard et peuvent être utilisées pour comparer les outils entre eux.

NOTE : La ou les valeurs d'émission de bruit déclarées peuvent aussi être utilisées pour l'évaluation préliminaire de l'exposition.

⚠ AVERTISSEMENT : Portez un serre-tête antibruit.

⚠ AVERTISSEMENT : L'émission de bruit lors de l'usage réel de l'outil électrique peut être différente de la ou des valeurs déclarées, suivant la façon dont l'outil est utilisé, particulièrement selon le type de pièce usinée.

⚠ AVERTISSEMENT : Les mesures de sécurité à prendre pour protéger l'utilisateur doivent être basées sur une estimation de l'exposition dans des conditions réelles d'utilisation (en tenant compte de toutes les composantes du cycle d'utilisation, comme par exemple le moment de sa mise hors tension, lorsqu'il tourne à vide et le moment de son déclenchement).

Vibrations

Valeur totale de vibrations (somme de vecteur triaxial) déterminée selon EN60745-2-22 :

Mode de travail : sciage de béton (épaisseur 5 mm)

Émission de vibrations (a_h) : 3,0 m/s²

Incertitude (K) : 1,5 m/s²

NOTE : La ou les valeurs de vibration totales déclarées ont été mesurées conformément à la méthode de test standard et peuvent être utilisées pour comparer les outils entre eux.

NOTE : La ou les valeurs de vibration totales déclarées peuvent aussi être utilisées pour l'évaluation préliminaire de l'exposition.

⚠️ AVERTISSEMENT : L'émission de vibrations lors de l'usage réel de l'outil électrique peut être différente de la ou des valeurs déclarées, suivant la façon dont l'outil est utilisé, particulièrement selon le type de pièce usinée.

⚠️ AVERTISSEMENT : Les mesures de sécurité à prendre pour protéger l'utilisateur doivent être basées sur une estimation de l'exposition dans des conditions réelles d'utilisation (en tenant compte de toutes les composantes du cycle d'utilisation, comme par exemple le moment de sa mise hors tension, lorsqu'il tourne à vide et le moment de son déclenchement).

Déclarations de conformité

Pour les pays européens uniquement

Les déclarations de conformité sont fournies en Annexe A à ce mode d'emploi.

CONSIGNES DE SÉCURITÉ

Consignes de sécurité générales pour outils électriques

⚠️ AVERTISSEMENT Veuillez lire toutes les consignes de sécurité, instructions, illustrations et spécifications qui accompagnent cet outil électrique. Le non-respect de toutes les instructions indiquées ci-dessous peut entraîner une électrocution, un incendie et/ou de graves blessures.

Conservez toutes les mises en garde et instructions pour référence ultérieure.

Le terme « outil électrique » dans les avertissements fait référence à l'outil électrique alimenté par le secteur (avec cordon d'alimentation) ou à l'outil électrique fonctionnant sur batterie (sans cordon d'alimentation).

Consignes de sécurité pour outils de coupe compacts

1. Le carter de protection fourni avec l'outil doit être fermement fixé à l'outil électrique dans une position assurant une sécurité maximale, de façon à minimiser la surface du disque exposée en direction de l'utilisateur. Assurez-vous que personne, y compris vous-même, ne se trouve sur le même plan que le disque en rotation. Le carter de protection contribue à protéger l'utilisateur des fragments de disque cassés et d'un contact accidentel avec le disque.

2. **Utilisez uniquement des disques à tronçonner renforcés ou diamantés à agglomérant avec votre outil électrique.** Le simple fait qu'un accessoire puisse être fixé à l'outil électrique ne garantit pas qu'il fonctionnera de manière sûre.
3. **La vitesse nominale de l'accessoire doit être au moins égale à la vitesse maximum inscrite sur l'outil électrique.** Les accessoires tournant plus vite que leur vitesse nominale peuvent se casser et voler en éclats.
4. **Les disques ne doivent être utilisés que pour les applications recommandées. Par exemple : ne procédez pas au meulage avec le côté du disque à tronçonner.** Les disques à tronçonner abrasifs sont conçus pour un meulage périphérique. Exercer une force latérale sur ces disques peut les briser.
5. **Utilisez toujours des flasques pour disque en bon état, au diamètre convenant au disque sélectionné.** Des flasques pour disque adéquates soutiennent le disque, diminuant ainsi la possibilité d'une rupture du disque.
6. **N'utilisez pas de disques renforcés usés provenant d'outils électriques plus grands.** Les disques conçus pour des outils électriques plus grands ne conviennent pas à la vitesse supérieure d'un petit outil et risquent d'éclater.
7. **Le diamètre extérieur et l'épaisseur de l'accessoire ne doivent pas dépasser la capacité nominale de l'outil électrique.** Les accessoires de taille incorrecte ne peuvent être protégés ou contrôlés adéquatement.
8. **L'orifice central des disques et des flasques doit s'insérer parfaitement sur la broche de l'outil électrique.** Des disques et des flasques dont l'orifice central ne correspond pas au matériel de fixation de l'outil électrique se déséquilibreront, vibreront excessivement et risqueront d'entraîner une perte de maîtrise de l'outil.
9. **N'utilisez pas de disques endommagés. Avant chaque utilisation, vérifiez que les disques ne sont pas fissurés ou écaillés. Si vous faites tomber l'outil électrique ou le disque, vérifiez qu'ils ne sont pas abîmés ou bien remplacez le disque endommagé. Après avoir vérifié et posé le disque, assurez-vous que personne, y compris vous-même, ne se trouve sur le même plan que le disque en rotation, et faites tourner l'outil électrique à la vitesse à vide maximum pendant une minute.** Les disques endommagés se brisent généralement au cours de cette période d'essai.
10. **Portez un équipement de protection individuelle. Portez toujours des protecteurs d'oreilles. Suivant le travail à effectuer, portez un écran facial, des lunettes à coques ou des lunettes de sécurité. Au besoin, portez également un masque contre les poussières, des gants et un tablier de travail pouvant résister aux petits éclats abrasifs ou aux fragments de pièce.** La protection oculaire doit pouvoir arrêter les débris volants produits par les diverses opérations du disque. Le masque contre les poussières ou le masque filtrant doit pouvoir filtrer les particules produites par l'opération du disque. Une exposition prolongée à un bruit d'intensité élevée peut entraîner une perte auditive.

11. **Ne laissez pas les personnes présentes approcher de la zone de travail. Toute personne pénétrant dans la zone de travail doit porter un équipement de protection individuelle.** Des fragments provenant de la pièce de travail ou d'un disque cassé peuvent voler en éclats et blesser les personnes se trouvant au-delà de la zone immédiate de travail.
12. **Tenez l'outil électrique uniquement par ses surfaces de prise isolées, lors d'une opération au cours de laquelle l'accessoire de coupe peut entrer en contact avec un fil caché.** Le contact de l'accessoire de coupe avec un fil sous tension peut transmettre du courant dans les pièces métalliques exposées de l'outil électrique et électrocuter l'utilisateur.
13. **Assurez-vous que l'accessoire est complètement arrêté avant de poser l'outil électrique.** Le disque en rotation risque de s'accrocher à la surface et vous faire perdre le contrôle de l'outil électrique.
14. **Ne transportez pas l'outil électrique tout en le laissant tourner.** En cas de contact accidentel avec l'accessoire en rotation, ce dernier risque d'accrocher vos vêtements et d'être entraîné vers votre corps.
15. **Nettoyez régulièrement les orifices de ventilation de l'outil électrique.** Le ventilateur du moteur aspire les poussières à l'intérieur du carter, ce qui présente un danger électrique en cas d'accumulation excessive de poussières métalliques.
16. **N'utilisez pas l'outil électrique près de matériaux inflammables.** Les étincelles risqueraient d'enflammer ces matériaux.
17. **N'utilisez pas d'accessoires nécessitant un liquide de refroidissement.** L'utilisation d'eau ou d'un liquide de refroidissement comporte un risque d'électrocution ou de choc électrique.
2. **Ne placez jamais la main près de l'accessoire en rotation.** L'accessoire risquerait de passer sur votre main en cas de choc en retour.
3. **Ne vous placez pas dans l'axe du disque en rotation.** Le choc en retour projetera l'outil dans le sens opposé au mouvement du disque au point où il accroche dans la pièce.
4. **Soyez tout particulièrement prudent lorsque vous travaillez sur les coins, les arêtes vives, etc. Évitez de laisser l'accessoire sautiller ou accrocher.** L'accessoire en rotation a tendance à accrocher dans les coins, sur les arêtes vives et lorsqu'il sautille, ce qui comporte un risque de perte de maîtrise ou de choc en retour.
5. **Ne fixez pas une chaîne de tronçonneuse, une lame à sculpter le bois, un disque diamanté à segments avec un espace périphérique supérieur à 10 mm ou une lame de scie dentée.** Ces lames causent fréquemment des chocs en retour et la perte de maîtrise de l'outil.
6. **Évitez de coincer le disque ou d'appliquer une pression excessive. N'essayez pas de couper trop profondément.** Un disque trop sollicité subira une surcharge et risquera de se tordre ou de se coincer dans la ligne de coupe, ce qui comporte un risque de choc en retour ou de bris du disque.
7. **Lorsque le disque se coince ou lorsque vous interrompez la coupe pour une raison quelconque, éteignez l'outil électrique et maintenez-le immobile jusqu'à ce que le disque ait complètement cessé de tourner. N'essayez jamais de retirer le disque de la ligne de coupe alors qu'il bouge encore, sous peine de provoquer un choc en retour.** Inspectez le disque et apportez les corrections nécessaires pour éliminer la cause du coincement du disque.
8. **Ne reprenez pas l'opération de coupe dans la pièce. Laissez le disque atteindre sa pleine vitesse, puis réintroduisez-le doucement dans la ligne de coupe.** Si vous reprenez la coupe avec le disque déjà dans la pièce, il risquera de se coincer, de remonter sur la pièce ou de provoquer un choc en retour.
9. **Soutenez les panneaux ou les pièces de grande taille pour réduire les risques de coincement du disque et de choc en retour.** Les pièces de grande taille ont tendance à ployer sous leur propre poids. Il est nécessaire de placer en dessous des cales à proximité de la ligne de coupe et près du rebord de la pièce de chaque côté du disque.
10. **Redoublez de précaution lorsque vous faites une « coupe en plongée » dans un mur ou toute autre surface pouvant cacher des structures.** Le disque, en dépassant derrière le mur ou la surface, peut couper des conduites de gaz ou d'eau, des fils électriques ou des objets pouvant causer un choc en retour.
11. **Avant d'utiliser un disque diamanté à segments, assurez-vous que l'espace périphérique entre les segments est au maximum de 10 mm, et que l'angle de pente est négatif.**

Chocs en retour et mises en garde concernant ces derniers

Le choc en retour est une réaction soudaine du disque en rotation lorsqu'il se coince ou accroche. Lorsque le disque en rotation se coince ou accroche, il s'arrête soudainement et l'utilisateur perd alors la maîtrise de l'outil électrique projeté dans le sens contraire de sa rotation au point où il se coince dans la pièce.

Par exemple, si un disque abrasif accroche ou se coince dans la pièce, son tranchant introduit au point de pincement risque d'y creuser la surface du matériau, entraînant la sortie ou le déchaussement du disque. Le disque peut alors dévier de sa trajectoire, vers l'utilisateur ou dans le sens opposé, selon la direction du mouvement du disque au point de pincement. Dans de telles situations, le disque abrasif risque également de se briser. Le choc en retour est le résultat d'une utilisation incorrecte de l'outil électrique et/ou de l'observation des procédures ou conditions d'utilisation. Il peut être évité en prenant les précautions adéquates indiquées ci-dessous.

1. **Maintenez une poigne ferme sur l'outil électrique et placez corps et bras de façon à pouvoir résister à la force exercée par les chocs en retour. Utilisez toujours la poignée auxiliaire, s'il y en a une, pour avoir une maîtrise maximale de l'outil en cas de choc en retour ou de force de réaction exercée au moment du démarrage.** L'utilisateur peut maîtriser les forces de réaction et de choc en retour s'il prend les précautions adéquates.

Consignes de sécurité supplémentaires :

1. **N'essayez jamais de couper en plaçant l'outil à l'envers dans un étau.** Ceci est extrêmement dangereux et peut entraîner des accidents graves.

2. Assurez-vous que la pièce est correctement soutenue.
3. Certains matériaux contiennent des produits chimiques qui peuvent être toxiques. Prenez les précautions nécessaires pour éviter que la poussière dégagée lors du travail ne soit inhalée et n'entre en contact avec la peau. Suivez les données de sécurité du fournisseur du matériau.
4. Entrez les disques conformément aux recommandations du fabricant. Un entreposage incorrect risque d'endommager les disques.
8. Abstenez-vous de clouer, couper, écraser, jeter, laisser tomber la batterie, ou de la heurter contre un objet dur. Cela pourrait entraîner un incendie, une chaleur excessive ou une explosion.
9. N'utilisez pas la batterie si elle est endommagée.
10. Les batteries au lithium-ion contenues sont soumises aux exigences de la législation sur les marchandises dangereuses. Lors du transport commercial par des tiers parties ou des transitaires par exemple, des exigences spécifiques en matière d'étiquetage et d'emballage doivent être respectées. Pour la préparation de l'article expédié, il est nécessaire de consulter un expert en matériel dangereux. Veuillez également respecter les réglementations nationales susceptibles d'être plus détaillées. Recouvrez les contacts exposés avec du ruban adhésif ou du ruban de masquage et emballez la batterie de telle sorte qu'elle ne puisse pas bouger dans l'emballage.

CONSERVEZ CES INSTRUCTIONS.

⚠️ AVERTISSEMENT : NE vous laissez PAS tromper (au fil d'une utilisation répétée) par un sentiment d'aisance et de familiarité avec le produit, en négligeant le respect rigoureux des consignes de sécurité qui accompagnent le produit en question. La MAUVAISE UTILISATION de l'outil ou l'ignorance des consignes de sécurité indiquées dans ce mode d'emploi peut entraîner de graves blessures.

Consignes de sécurité importantes pour la batterie

1. Avant d'utiliser la batterie, lisez toutes les instructions et précautions relatives (1) au chargeur de batterie, (2) à la batterie, et (3) au produit utilisant la batterie.
2. Ne désassemblez pas et ne modifiez pas la batterie. Cela pourrait entraîner un incendie, une chaleur excessive ou une explosion.
3. Cessez immédiatement l'utilisation si le temps de fonctionnement devient excessivement court. Il y a risque de surchauffe, de brûlures, voire d'explosion.
4. Si l'électrolyte pénètre dans vos yeux, rincez-les à l'eau claire et consultez immédiatement un médecin. Il y a risque de perte de la vue.
5. Ne court-circuitez pas la batterie :
 - (1) Ne touchez les bornes avec aucun matériau conducteur.
 - (2) Évitez de ranger la batterie dans un conteneur avec d'autres objets métalliques, par exemple des clous, des pièces de monnaie, etc.
 - (3) N'exposez pas la batterie à l'eau ou à la pluie.

Un court-circuit de la batterie peut provoquer une intensité de courant élevée, une surchauffe, parfois des brûlures et même une panne.
6. Ne rangez ni n'utilisez l'outil et la batterie dans un endroit où la température risque d'atteindre ou de dépasser 50 °C.
7. Ne jetez pas la batterie au feu même si elle est sérieusement endommagée ou complètement épuisée. La batterie peut exploser au contact du feu.
11. Lors de la mise au rebut de la batterie, retirez-la de l'outil et jetez-la en lieu sûr. Suivez les réglementations locales en matière de mise au rebut des batteries.
12. Utilisez les batteries uniquement avec les produits spécifiés par Makita. L'insertion de batteries dans des produits non conformes peut provoquer un incendie, une chaleur excessive, une explosion ou une fuite de l'électrolyte.
13. Lorsque vous n'utilisez pas l'outil pendant une période prolongée, la batterie doit être retirée de l'outil.
14. Pendant et après l'utilisation, la batterie peut chauffer, ce qui peut entraîner des brûlures, y compris en cas de température relativement basse. Manipulez les batteries chaudes avec précaution.
15. Ne touchez pas la borne de l'outil immédiatement après utilisation car elle peut être assez chaude pour provoquer des brûlures.
16. Évitez que des copeaux, de la poussière ou du sol adhèrent aux bornes, aux trous et aux rainures de la batterie. Cela peut provoquer un échauffement, un incendie, une explosion ou un dysfonctionnement de l'outil ou de la batterie, ce qui peut entraîner des brûlures ou des blessures.
17. À moins que l'outil prenne en charge un tel usage, n'utilisez pas la batterie à proximité de lignes électriques haute tension. Cela pourrait entraîner un dysfonctionnement ou casser l'outil ou la batterie.
18. Conservez la batterie hors de portée des enfants.

CONSERVEZ CES INSTRUCTIONS.

⚠️ ATTENTION : N'utilisez que des batteries Makita d'origine. L'utilisation de batteries de marque autre que Makita ou de batteries modifiées peut provoquer l'explosion des batteries, ce qui présente un risque d'incendie, de dommages matériels et corporels. Cela annulera également la garantie Makita pour l'outil et le chargeur Makita.

Conseils pour assurer la durée de vie optimale de la batterie

1. Chargez la batterie avant qu'elle ne soit complètement déchargée. Arrêtez toujours l'outil et rechargez la batterie quand vous remarquez que la puissance de l'outil diminue.
2. Ne rechargez jamais une batterie complètement chargée. La surcharge réduit la durée de service de la batterie.
3. Chargez la batterie à une température ambiante comprise entre 10 °C et 40 °C. Avant de charger une batterie chaude, laissez-la refroidir.
4. Lorsque vous n'utilisez pas la batterie, retirez-la de l'outil ou du chargeur.
5. Rechargez la batterie si elle est restée inutilisée pendant une période prolongée (plus de six mois).

DESCRIPTION DU FONCTIONNEMENT

ATTENTION : Assurez-vous toujours que l'outil est hors tension et que sa batterie est retirée avant de l'ajuster ou de vérifier son fonctionnement.

Insertion ou retrait de la batterie

ATTENTION : Éteignez toujours l'outil avant de mettre en place ou de retirer la batterie.

ATTENTION : Tenez fermement l'outil et la batterie lors de la mise en place ou du retrait de la batterie. Si vous ne tenez pas fermement l'outil et la batterie, ils peuvent vous glisser des mains, et s'abîmer ou vous blesser.

► Fig.1: 1. Indicateur rouge 2. Bouton 3. Batterie

Pour retirer la batterie, faites-la glisser hors de l'outil tout en faisant glisser le bouton à l'avant de la batterie.

Pour mettre la batterie en place, alignez la languette de la batterie avec la rainure du compartiment puis insérez la batterie. Insérez-la entièrement jusqu'à entendre un léger déclic indiquant qu'elle est bien en place. Si vous pouvez voir l'indicateur rouge comme illustré sur la figure, c'est qu'elle n'est pas bien verrouillée.

ATTENTION : Insérez toujours complètement la batterie jusqu'à ce que l'indicateur rouge ne soit plus visible. Sinon, elle pourrait tomber accidentellement de l'outil, au risque de vous blesser ou de blesser quelqu'un se trouvant près de vous.

ATTENTION : N'insérez pas la batterie de force. Si elle ne glisse pas facilement, c'est que vous ne l'insérez pas correctement.

Indication de la charge restante de la batterie

Uniquement pour les batteries avec voyant lumineux

► Fig.2: 1. Témoins 2. Bouton de vérification

Appuyez sur le bouton de vérification sur la batterie pour indiquer la charge restante de la batterie. Les témoins s'allument pendant quelques secondes.

Témoins			Charge restante
Allumé	Éteint	Clignotant	
			75 % à 100 %
			50 % à 75 %
			25 % à 50 %
			0 % à 25 %
			Chargez la batterie.
			Anomalie possible de la batterie.

NOTE : Selon les conditions d'utilisation et la température ambiante, l'indication peut être légèrement différente de la capacité réelle.

NOTE : Le premier témoin (complètement à gauche) clignotera pendant le fonctionnement du système de protection de la batterie.

Système de protection de l'outil/la batterie

L'outil est équipé d'un système de protection de l'outil/la batterie. Ce système coupe automatiquement l'alimentation vers le moteur pour prolonger la durée de vie de l'outil et de la batterie. Si l'outil ou la batterie se trouve dans l'une des situations suivantes, l'outil cessera automatiquement de fonctionner. Dans certaines situations, les témoins s'allument.

Protection contre la surcharge

Lorsque l'outil/la batterie est utilisé(e) d'une manière provoquant un appel de courant anormalement élevé, l'outil s'arrête automatiquement et la lampe de fonctionnement clignote. Dans cette situation, éteignez l'outil et arrêtez la tâche ayant provoqué la surcharge de l'outil. Puis rallumez l'outil pour reprendre la tâche.

Protection contre la surchauffe

En cas de surchauffe de l'outil ou de la batterie, l'outil s'arrête automatiquement et la lampe de fonctionnement clignote. Dans ce cas, laissez l'outil refroidir avant de le rallumer.

Protection contre la décharge totale de la batterie

Lorsque la charge restante de la batterie devient faible, l'outil s'arrête automatiquement. Si l'outil ne fonctionne pas en utilisant l'interrupteur, retirez la batterie de l'outil et chargez-la.

Protections contre d'autres causes

Le système de protection est également conçu pour d'autres causes qui pourraient endommager l'outil et lui permet de s'arrêter automatiquement. Suivez toutes les étapes ci-dessous pour éliminer les causes, lorsque l'outil a été arrêté provisoirement ou a cessé de fonctionner.

1. Éteignez l'outil, puis rallumez-le pour le redémarrer.
2. Chargez la ou les batteries ou remplacez-les par des batteries rechargées.
3. Laissez l'outil et la ou les batteries refroidir.

En l'absence d'amélioration après avoir rétabli le système de protection, contactez votre centre de service Makita local.

Fonctionnement de la gâchette

⚠️ AVERTISSEMENT : N'utilisez JAMAIS l'outil s'il se met en marche lorsque vous enclenchez simplement la gâchette sans avoir enfoncé le bouton de sécurité. Une gâchette non réparée comporte un risque d'activation accidentelle pouvant entraîner de graves blessures. Confiez l'outil à un centre d'entretien Makita pour le faire réparer AVANT de poursuivre l'utilisation.

⚠️ AVERTISSEMENT : NE bloquez JAMAIS le bouton de sécurité avec du ruban ou de toute autre manière. Une gâchette dont le bouton de sécurité est bloqué comporte un risque d'activation accidentelle pouvant entraîner de graves blessures.

⚠️ ATTENTION : Avant d'insérer la batterie dans l'outil, vérifiez toujours que la gâchette fonctionne bien et revient en position d'arrêt lorsque vous la relâchez.

⚠️ ATTENTION : Évitez d'enclencher la gâchette avec force lorsque le bouton de sécurité n'est pas enfoncé. Vous risqueriez de briser la gâchette.

⚠️ ATTENTION : L'outil démarre pour freiner la rotation du disque immédiatement après que vous relâchez la gâchette. Tenez fermement l'outil pour réagir à la réaction du frein lorsque vous relâchez la gâchette. Une réaction soudaine peut vous faire lâcher l'outil et vous blesser.

Pour éviter tout déclenchement accidentel de la gâchette, l'outil est muni d'un bouton de sécurité. Pour démarrer l'outil, maintenez enfoncé le bouton de sécurité puis enclenchez la gâchette. Pour l'arrêter, relâchez la gâchette.

► Fig.3: 1. Gâchette 2. Bouton de sécurité

Sélection du disque

⚠️ ATTENTION : La vitesse nominale de l'accessoire doit être au moins égale à la vitesse maximum inscrite sur l'outil électrique. Les accessoires tournant plus vite que leur vitesse nominale peuvent se casser et voler en éclats.

⚠️ ATTENTION : Les disques ne doivent être utilisés que pour les applications recommandées.

Sélectionnez l'un des types de disques de coupe les plus appropriés en fonction de votre application.

Type de disque	Applications pratiques
Disque à tronçonner	Découpe d'acier, d'acier inoxydable, de métaux
Disque abrasif en carbure de tungstène	Découpe de plastique, plâtre, matériaux composites
Disque diamanté	Découpe de dalles, céramique

Sens de rotation du disque

⚠️ ATTENTION : Vérifiez toujours le sens de rotation avant d'utiliser l'outil.

⚠️ ATTENTION : N'utilisez l'inverseur qu'une fois que l'outil est complètement arrêté. Par mesure de sécurité, un changement soudain du sens de rotation pendant le fonctionnement entraîne l'arrêt net de l'outil.

La rotation du disque peut être modifiée dans le sens avant ou inverse.

Pour régler la rotation avant, faites glisser l'inverseur vers la gauche jusqu'à ce que l'indication « F » apparaisse sur l'interrupteur.

Pour sélectionner la rotation inverse, faites glisser l'inverseur vers la droite jusqu'à ce que l'indication « R » apparaisse sur l'interrupteur.

► Fig.4: 1. Inverseur

Les éclats, les débris, les étincelles et les particules de coupe ont tendance à voler dans une direction tangente à la rotation du disque. Utilisez efficacement le carter du disque pour éviter une exposition continue aux particules de coupe, de sorte qu'il puisse décharger une partie de la poussière et des particules de coupe dans une autre direction.

En réaction à un arrêt soudain du disque en rotation, l'outil pourrait devenir incontrôlable dans le sens opposé à la rotation du disque.

Rotation avant

► Fig.5: 1. Particules de coupe 2. Réactions

Rotation inverse

► Fig.6: 1. Particules de coupe 2. Réactions

Carter du disque

⚠ ATTENTION : Assurez-vous que le carter du disque est correctement et fermement positionné derrière le disque de coupe avant toute utilisation.

Fixez le carter du disque dans une position confortable, pour une sécurité maximale et une exposition minimale aux facteurs de risque possibles, en fonction de vos conditions de travail et de vos préférences.

Positionnement vers l'avant

► **Fig.7:** 1. Carter du disque 2. Disque de coupe

Positionnement vers l'arrière

► **Fig.8:** 1. Carter du disque 2. Disque de coupe

Verrouillage de l'arbre

Appuyez sur le verrouillage de l'arbre pour empêcher l'axe de tourner lorsque vous posez et retirez un disque de coupe.

► **Fig.9:** 1. Verrouillage de l'arbre

REMARQUE : N'activez jamais le verrouillage de l'arbre pendant que l'axe tourne. Vous risqueriez d'abîmer l'outil.

Lampe de fonctionnement

⚠ ATTENTION : Évitez de regarder directement le faisceau lumineux ou sa source.

Pour allumer la lampe de fonctionnement, maintenez enfoncé le bouton de sécurité et enclenchez la gâchette.

La lampe s'éteint au bout de 15 secondes environ après avoir relâché la gâchette.

► **Fig.10:** 1. Lampe de fonctionnement

REMARQUE : Si l'outil est utilisé avec une charge excessive, la lampe de fonctionnement clignote. Dans ce cas, relâchez la gâchette, puis diminuez la charge sur l'outil avant de réutiliser l'outil.

REMARQUE : Si l'outil surchauffe, la lampe de fonctionnement clignote. Dans ce cas, relâchez la gâchette, puis laissez refroidir l'outil ou la batterie avant de réutiliser l'outil.

NOTE : Retirez la saleté sur la lentille de la lampe avec un chiffon sec. Prenez soin de ne pas érafler la lentille de la lampe sous peine de diminuer son éclairage.

Réglage de la profondeur de coupe

⚠ ATTENTION : Après avoir ajusté la profondeur de coupe, serrez toujours fermement la vis à oreilles.

Une fois le couvercle du collecteur de poussières installé, des réglages précis de la profondeur de coupe peuvent être effectués jusqu'à 13,5 mm.

Desserrez la vis à oreilles sur l'échelle de profondeur. Soulevez ou abaissez la poignée de l'outil en position pour aligner les indicateurs de profondeur sur le couvercle avec la profondeur de coupe souhaitée sur l'échelle. Puis serrez la vis à oreilles.

► **Fig.11:** 1. Vis à oreilles 2. Échelle de profondeur 3. Indicateur de profondeur

⚠ ATTENTION : Pour une coupe propre et sûre, réglez les profondeurs de coupe de sorte qu'un disque de coupe dépasse la surface inférieure de la pièce de 2,0 mm ou moins. Le réglage d'une profondeur de coupe adéquate aide à réduire le risque de dangereux chocs en retour susceptibles de provoquer des blessures.

Observation pour coupe rectiligne

Une fois le couvercle du collecteur de poussières installé, la coupe en ligne droite peut être effectuée en toute sécurité en alignant le disque de coupe dans le sens de la coupe avant l'opération de coupe réelle.

Alignez l'encoche du guide dans la base du couvercle du collecteur de poussières avec la ligne de coupe prévue sur la pièce.

► **Fig.12:** 1. Encoche du guide 2. Socle 3. Ligne de coupe

Raccordement à un aspirateur

Accessoire en option

Pour effectuer une opération de coupe propre, raccordez un aspirateur Makita au raccord à poussière dans le couvercle du collecteur de poussières au moyen d'un manchon avant 22 (accessoire en option).

► **Fig.13:** 1. Manchon avant 22 2. Raccord à poussière 3. Tuyau 4. Aspirateur

Fonction de prévention de redémarrage accidentel

Si vous insérez la batterie tout en tirant sur la gâchette, l'outil ne démarre pas.

Pour démarrer l'outil, relâchez d'abord la gâchette. Maintenez enfoncé le bouton de sécurité puis enclenchez la gâchette.

Fonction électronique

L'outil est doté de fonctions électroniques pour en faciliter le fonctionnement.

- **Frein électrique**
Cet outil est équipé d'un frein électrique. Si systématiquement, le relâchement de la gâchette n'entraîne pas un arrêt rapide de l'outil, adressez-vous à un centre de service Makita pour faire réparer l'outil.
- **Contrôle de vitesse constante**
La fonction de contrôle de la vitesse offre une vitesse de rotation constante quelles que soient les conditions de charge.
- **Technologie de détection de réaction active**
L'outil détecte électroniquement des situations où la meule ou l'accessoire peuvent être exposés à un risque de pincement. Dans ce cas, l'outil est automatiquement éteint pour empêcher la rotation de l'axe (le choc en retour n'est pas empêché). Pour redémarrer l'outil, commencez par l'éteindre, éliminez la cause de la baisse soudaine de la vitesse de rotation, puis allumez l'outil.

ASSEMBLAGE

ATTENTION : Assurez-vous toujours que l'outil est hors tension et que sa batterie est retirée avant d'effectuer toute tâche dessus.

Rangement de la clé hexagonale

Lorsque vous n'utilisez pas la clé hexagonale, rangez-la tel qu'indiqué sur l'illustration pour éviter de la perdre.

► **Fig.14:** 1. Clé hexagonale

Retrait et installation du disque de coupe

ATTENTION : Utilisez exclusivement la clé hexagonale Makita fournie pour déposer et installer un disque de coupe.

ATTENTION : Lorsque vous installez un disque de coupe, veillez à serrer fermement le boulon.

REMARQUE : Lors de l'installation d'un disque diamanté pour des performances optimales, assurez-vous toujours que les flèches sur le disque diamanté pointent dans le même sens que la rotation de disque souhaitée.

Pour déposer un disque de coupe, enfoncez complètement le verrouillage de l'arbre de sorte que le disque de coupe ne puisse pas tourner et utilisez la clé hexagonale pour desserrer le boulon hexagonal en le tournant dans le sens inverse des aiguilles d'une montre. Retirez ensuite le boulon hexagonal, le flasque extérieur et le disque de coupe.

► **Fig.15:** 1. Blocage de l'arbre 2. Clé hexagonale 3. Boulon hexagonal 4. Desserrer 5. Serrer

REMARQUE : Si le flasque intérieur a été retiré, reposez-le sur l'axe avec la pièce de fixation du disque tournée vers le haut.

Pour poser un disque de coupe, suivez la procédure de retrait en sens inverse.

► **Fig.16:** 1. Boulon hexagonal 2. Flasque extérieur 3. Disque de coupe 4. Flasque intérieur 5. Axe

Installation et retrait du couvercle du collecteur de poussières

ATTENTION : Assurez-vous que le carter du disque est solidement verrouillé par la butée à l'intérieur du couvercle du collecteur de poussières avant le fonctionnement.

ATTENTION : Évitez d'utiliser le couvercle du collecteur de poussières pour la métallerie qui génère de la chaleur et des étincelles sous peine de faire fondre les composants en plastique du couvercle du collecteur de poussières.

Le couvercle du collecteur de poussières améliore la sécurité et l'efficacité des opérations de coupe, offrant une protection contre un disque en rotation, la stabilité de coupe, un contrôle précis de la profondeur de coupe et des solutions d'extraction de la poussière, en particulier pour les coupes de dalles, plâtre, grès.

Installation du couvercle du collecteur de poussières

1. Desserrez la vis à oreilles sur l'échelle de profondeur du couvercle du collecteur de poussières. Soulevez complètement le couvercle, puis serrez la vis à oreilles pour fixer le couvercle du collecteur de poussières en position relevée.

► **Fig.17:** 1. Vis à oreilles 2. Échelle de profondeur 3. Couvercle du collecteur de poussières

2. Placez le carter du disque sur l'outil en position avant.

► **Fig.18:** 1. Carter du disque

3. Soulevez légèrement la poignée de l'outil et placez la moitié avant du carter du disque en angle dans le couvercle du collecteur de poussières, en plaçant le bas du disque de coupe vers le bas à travers la fente pour disque dans le socle.

► **Fig.19:** 1. Carter du disque 2. Couvercle du collecteur de poussières 3. Disque de coupe 4. Fente pour disque

4. Installez la moitié arrière du carter du disque dans le couvercle du collecteur de poussières, tout en abaissant la poignée de l'outil de la position relevée à la position abaissée.

► **Fig.20:** 1. Carter du disque 2. Couvercle du collecteur de poussières

5. Soulevez à nouveau la poignée de l'outil pour accrocher le bord arrière du carter du disque au-dessus de la butée à l'intérieur du couvercle du collecteur de poussières.

► **Fig.21:** 1. Carter du disque 2. Butée

6. Desserrez la vis à oreilles. Faites pivoter l'outil de haut en bas à la profondeur de coupe souhaitée. Puis serrez la vis à oreilles pour maintenir en place l'outil.

Retrait du couvercle du collecteur de poussières

1. Desserrez la vis à oreilles sur l'échelle de profondeur du couvercle du collecteur de poussières. Soulevez complètement la poignée de l'outil, puis serrez la vis à oreilles pour fixer le couvercle du collecteur de poussières en position relevée.

► **Fig.22:** 1. Vis à oreilles 2. Échelle de profondeur 3. Couvercle du collecteur de poussières

2. Faites glisser le levier de déverrouillage vers la vis à oreilles pour déverrouiller le carter du disque de la butée à l'intérieur du couvercle du collecteur de poussières.

► **Fig.23:** 1. Levier de déverrouillage 2. Vis à oreilles 3. Carter du disque 4. Couvercle du collecteur de poussières 5. Butée

3. Démontez la moitié arrière du carter du disque du couvercle du collecteur de poussières, tout en abaissant la poignée de l'outil de la position relevée à la position abaissée.

► **Fig.24:** 1. Carter du disque 2. Couvercle du collecteur de poussières

4. Tirez la moitié avant du carter du disque, légèrement vers le haut et vers l'extérieur en angle, en l'écartant du couvercle du collecteur de poussières.

► **Fig.25:** 1. Carter du disque 2. Couvercle du collecteur de poussières

UTILISATION

⚠ATTENTION : Maintenez toujours l'outil fermement en place pendant son fonctionnement.

⚠ATTENTION : Ne forcez pas l'outil. En forçant l'outil, en lui appliquant une pression excessive ou en laissant le disque plier, se coincer ou se tordre dans la ligne de coupe, vous risquez de surchauffer le moteur ou de provoquer un dangereux choc en retour de l'outil.

⚠ATTENTION : Lorsque vous coupez du plastique, veillez à ne pas surchauffer le disque de coupe. Vous risqueriez de faire fondre la pièce.

⚠ATTENTION : Abstenez-vous de cogner ou heurter un disque de coupe au démarrage ou pendant le fonctionnement.

⚠ATTENTION : Portez toujours des lunettes à coques ou un écran facial pendant l'utilisation.

⚠ATTENTION : Une fois le travail terminé, mettez toujours l'outil hors tension et attendez l'arrêt complet du disque avant de déposer l'outil.

Coupe vers le bas

REMARQUE : Faites preuve de prudence lorsque vous utilisez une surface de coupe efficace du disque afin d'éviter toute exposition à des particules de coupe.

REMARQUE : Maintenez le disque de coupe droit dans la pièce et évitez d'incliner ou de faire pivoter l'outil pendant le fonctionnement.

Positionnez correctement le carter du disque pour assurer une protection maximale contre les étincelles et les particules lâches projetées par le disque de coupe. Placez l'outil sur la pièce sans que le disque de coupe ne fasse contact. Mettez l'outil sous tension et attendez que le disque de coupe atteigne sa pleine vitesse. Abaissez ensuite lentement l'outil sur la surface de la pièce, en utilisant une avance modérée adaptée à vos applications.

Rotation avant

► **Fig.26**

Rotation inverse

► **Fig.27**

Coupe rectiligne

⚠ATTENTION : Assurez-vous que le disque de coupe fonctionne toujours avec un mouvement de meulage vers le haut. Dans le cas contraire, l'outil risque d'être poussé hors de la coupe.

REMARQUE : Maintenez votre ligne de coupe droite et appliquez une pression constante pour obtenir une coupe uniforme de la pièce.

Posez la semelle du couvercle du collecteur de poussières sur la pièce à découper sans que le disque de coupe entre en contact avec quoi que ce soit. Mettez l'outil sous tension et attendez que le disque de coupe atteigne sa pleine vitesse. Ensuite, déplacez lentement l'outil sur la surface de la pièce, en le maintenant à plat et en le faisant avancer doucement jusqu'à ce que la coupe soit terminée.

Sélectionnez la rotation inverse pour la coupe par poussée et la rotation avant pour la coupe par traction.

Coupe par poussée en rotation inverse

► **Fig.28**

Coupe par traction en rotation avant

► **Fig.29**

NOTE : Sachez que le couvercle du collecteur de poussières a tendance à fonctionner moins efficacement lors de la coupe par traction, car certaines particules de coupe se propagent à l'intérieur du couvercle contre le flux d'extraction de poussière.

ENTRETIEN

⚠ ATTENTION : Assurez-vous toujours que l'outil est hors tension et que la batterie est retirée avant d'y effectuer tout travail d'inspection ou d'entretien.

REMARQUE : N'utilisez jamais d'essence, benzine, diluant, alcool ou autre produit similaire. Cela risquerait de provoquer la décoloration, la déformation ou la fissuration de l'outil.

Pour assurer la SÉCURITÉ et la FIABILITÉ du produit, toute réparation, tout travail d'entretien ou de réglage doivent être effectués par un centre d'entretien Makita agréé, avec des pièces de rechange Makita.

Affûtage du disque diamanté

Si la capacité de coupe du disque diamanté commence à diminuer, affûtez-le au moyen d'une vieille meule de touret à gros grains usée ou d'un bloc en béton. Pour ce faire, fixez solidement la meule de touret ou le bloc en béton et coupez dedans.

Après l'utilisation

Retirez les poussières à l'intérieur de l'outil en faisant tourner l'outil au ralenti pendant un moment. L'accumulation de poussières dans le moteur peut provoquer un dysfonctionnement de l'outil.

Nettoyage du carter du disque et du couvercle du collecteur de poussières

Nettoyez régulièrement l'intérieur du carter du disque et du couvercle du collecteur de poussières. Soufflez ou essuyez toute saleté ou poussière qui s'y est accumulée.

► **Fig.30:** 1. Carter du disque 2. Couvercle du collecteur de poussières

Nettoyage des orifices d'aération

Nettoyez les orifices d'aération de l'outil à intervalles réguliers pour une circulation d'air fluide. Retirez le pare-poussière de l'orifice d'entrée d'air et nettoyez-le dès qu'il est sale et bouché.

► **Fig.31:** 1. Pare-poussière 2. Orifice d'entrée d'air

ACCESSOIRES EN OPTION

⚠ ATTENTION : Ces accessoires ou pièces complémentaires sont recommandés pour l'utilisation avec l'outil Makita spécifié dans ce mode d'emploi. L'utilisation de tout autre accessoire ou pièce complémentaire peut comporter un risque de blessure. N'utilisez les accessoires ou pièces complémentaires qu'aux fins auxquelles ils ont été conçus.

Pour obtenir plus de détails sur ces accessoires, contactez votre centre d'entretien local Makita.

- Disque à tronçonner
- Disque diamanté
- Disque abrasif en carbure de tungstène
- Clé hexagonale
- Batterie et chargeur Makita d'origine

NOTE : Il se peut que certains éléments de la liste soient compris dans l'emballage de l'outil en tant qu'accessoires standard. Ils peuvent varier d'un pays à l'autre.

TECHNISCHE DATEN

Modell:		DMC300
Scheiben-Außendurchmesser		76 mm
Scheiben-Innendurchmesser (Spindeldurchmesser)		10,0 mm / 9,5 mm (3/8") (länderspezifisch)
Max. Scheibendicke		1,0 mm
Max. Schnittleistung	Mit Staubabsaughaube	13,5 mm
	Ohne Staubabsaughaube	16,0 mm
Nennrehzahl (n) / Leerlaufrehzahl (n ₀)		20.000 min ⁻¹
Gesamtlänge		271 mm *1
Nennspannung		Gleichstrom 18 V
Nettogewicht		1,2 - 1,7 kg

*1. Mit Akku (BL1860B) / Ohne Staubabsaughaube

- Wir behalten uns vor, Änderungen der technischen Daten im Zuge der Entwicklung und des technischen Fortschritts ohne vorherige Ankündigung vorzunehmen.
- Die technischen Daten und der Akku können von Land zu Land unterschiedlich sein.
- Das Gewicht kann abhängig von dem Aufsatz (den Aufsätzen), einschließlich des Akkus, unterschiedlich sein. Die leichteste und die schwerste Kombination, gemäß dem EPTA-Verfahren 01/2014, sind in der Tabelle angegeben.

Zutreffende Akkus und Ladegeräte

Akku	BL1815N / BL1820B / BL1830B / BL1840B / BL1850B / BL1860B
Ladegerät	DC18RC / DC18RD / DC18RE / DC18SD / DC18SE / DC18SF / DC18SH / DC18WC

- Einige der oben aufgelisteten Akkus und Ladegeräte sind je nach Ihrem Wohngebiet eventuell nicht erhältlich.

⚠️ WARNUNG: Verwenden Sie nur die oben aufgeführten Akkus und Ladegeräte. Bei Verwendung irgendwelcher anderer Akkus und Ladegeräte besteht Verletzungs- und/oder Brandgefahr.

Vorgesehene Verwendung

Das Werkzeug ist zum Schneiden von Blechen, Fittings, Rohren, Fliesen oder Wänden aus Metall, Kunststoff, Keramik, Gips und ähnlichen Verbundwerkstoffen ohne Verwendung von Wasser bestimmt.

Geräusch

Typischer A-bewerteter Geräuschpegel ermittelt gemäß EN60745-2-22:

Schalldruckpegel (L_{pA}): 88 dB (A)
 Schalleistungspegel (L_{WA}): 99 dB (A)
 Messunsicherheit (K): 3 dB (A)

HINWEIS: Der (Die) angegebene(n) Schallemissionswert(e) wurde(n) im Einklang mit der Standardprüfmethode gemessen und kann (können) für den Vergleich zwischen Werkzeugen herangezogen werden.

HINWEIS: Der (Die) angegebene(n) Schallemissionswert(e) kann (können) auch für eine Vorbewertung des Gefährdungsgrads verwendet werden.

⚠️ WARNUNG: Einen Gehörschutz tragen.

⚠️ WARNUNG: Die Schallemission während der tatsächlichen Benutzung des Elektrowerkzeugs kann je nach der Benutzungsweise des Werkzeugs, und speziell je nach der Art des bearbeiteten Werkstücks, von dem (den) angegebenen Wert(en) abweichen.

⚠️ WARNUNG: Identifizieren Sie Sicherheitsmaßnahmen zum Schutz des Benutzers anhand einer Schätzung des Gefährdungsgrads unter den tatsächlichen Benutzungsbedingungen (unter Berücksichtigung aller Phasen des Arbeitszyklus, wie z. B. Ausschalt- und Leerlaufzeiten des Werkzeugs zusätzlich zur Betriebszeit).

Schwingungen

Schwingungsgesamtwert (Drei-Achsen-Vektorsumme) ermittelt gemäß EN60745-2-22:

Arbeitsmodus: Schneiden von Beton (Dicke 5 mm)
 Schwingungsemission (a_h): 3,0 m/s²
 Messunsicherheit (K): 1,5 m/s²

HINWEIS: Der (Die) angegebene(n) Vibrationsgesamtwert(e) wurde(n) im Einklang mit der Standardprüfmethode gemessen und kann (können) für den Vergleich zwischen Werkzeugen herangezogen werden.

HINWEIS: Der (Die) angegebene(n) Vibrationsgesamtwert(e) kann (können) auch für eine Vorbewertung des Gefährdungsgrads verwendet werden.

⚠️ WARNUNG: Die Vibrationsemission während der tatsächlichen Benutzung des Elektrowerkzeugs kann je nach der Benutzungsweise des Werkzeugs, und speziell je nach der Art des bearbeiteten Werkstücks, von dem (den) angegebenen Emissionswert(en) abweichen.

⚠️ WARNUNG: Identifizieren Sie Sicherheitsmaßnahmen zum Schutz des Benutzers anhand einer Schätzung des Gefährdungsgrads unter den tatsächlichen Benutzungsbedingungen (unter Berücksichtigung aller Phasen des Arbeitszyklus, wie z. B. Ausschalt- und Leerlaufzeiten des Werkzeugs zusätzlich zur Betriebszeit).

Konformitätserklärungen

Nur für europäische Länder

Die Konformitätserklärungen sind in Anhang A dieser Betriebsanleitung enthalten.

SICHERHEITSWARNUNGEN

Allgemeine Sicherheitswarnungen für Elektrowerkzeuge

⚠️ WARNUNG Lesen Sie alle Sicherheitshinweise, Anweisungen, Abbildungen und Spezifikationen, die diesem Elektrowerkzeug beiliegen. Eine Missachtung der unten aufgeführten Anweisungen kann zu einem elektrischen Schlag, Brand und/oder schweren Verletzungen führen.

Bewahren Sie alle Warnungen und Anweisungen für spätere Bezugnahme auf.

Der Ausdruck „Elektrowerkzeug“ in den Warnhinweisen bezieht sich auf Ihr mit Netzstrom (mit Kabel) oder Akku (ohne Kabel) betriebenes Elektrowerkzeug.

Sicherheitswarnungen für Kompakttrennschleifer

1. Die mit dem Werkzeug gelieferte Schutzhaube muss sicher am Elektrowerkzeug befestigt und für maximale Sicherheit positioniert werden, um das Gefahrenpotenzial der Trennscheibe für die Bedienungsperson minimal zu halten. Achten Sie darauf, dass Sie selbst und Umstehende nicht in der Ebene der rotierenden Trennscheibe stehen. Die Schutzhaube schützt den Bediener vor Trennscheiben-Bruchstücken und versehentlichem Kontakt mit der Trennscheibe.
2. Verwenden Sie nur kunstharzgebundene faserverstärkte Trennscheiben oder Diamant-Trennscheiben für Ihr Elektrowerkzeug. Die bloße Tatsache, dass ein Zubehörteil an Ihrem Elektrowerkzeug angebracht werden kann, gewährleistet noch keinen sicheren Betrieb.
3. Die Nenndrehzahl des Zubehörteils muss mindestens der am Elektrowerkzeug angegebenen Maximaldrehzahl entsprechen. Zubehörteile, die schneller als ihre Nenndrehzahl rotieren, können bersten und auseinander fliegen.
4. Scheiben dürfen nur für empfohlene Anwendungen eingesetzt werden. Zum Beispiel: Nicht mit der Seite einer Trennscheibe schleifen. Da Trennschleifscheiben für Peripherieschleifen vorgesehen sind, können sie durch seitlich einwirkende Kräfte zerschmettert werden.
5. Verwenden Sie stets unbeschädigte Scheibenflansche des korrekten Durchmessers für die ausgewählte Trennscheibe. Korrekte Scheibenflansche stützen die Trennscheibe und reduzieren somit die Möglichkeit eines Scheibenbruchs.
6. Verwenden Sie keine abgenutzten faserverstärkten Trennscheiben von größeren Elektrowerkzeugen. Trennscheiben für größere Elektrowerkzeuge eignen sich nicht für die höhere Drehzahl eines kleineren Werkzeugs und können bersten.
7. Außendurchmesser und Dicke des Zubehörteils müssen innerhalb der Kapazitätsgrenzen Ihres Elektrowerkzeugs liegen. Zubehörteile der falschen Größe können nicht angemessen geschützt oder kontrolliert werden.
8. Die Spindelbohrung von Trennscheiben und Flanschen muss genau der Spindel des Elektrowerkzeugs angepasst sein. Trennscheiben und Flansche, deren Spindelbohrung nicht genau auf den Montageflansch des Elektrowerkzeugs passt, laufen unruhig, vibrieren übermäßig und können einen Verlust der Kontrolle verursachen.
9. Verwenden Sie keine beschädigten Trennscheiben. Überprüfen Sie die Trennscheiben vor jeder Benutzung auf Absplinterungen und Risse. Falls das Elektrowerkzeug oder die Trennscheibe herunterfällt, überprüfen Sie das Teil auf Beschädigung, oder montieren Sie eine

unbeschädigte Trennscheibe. Achten Sie nach der Überprüfung und Installation der Trennscheibe darauf, dass Sie selbst und Umstehende nicht in der Rotationsebene der Trennscheibe stehen, und lassen Sie das Elektrowerkzeug eine Minute lang mit maximaler Leerlaufdrehzahl laufen. Beschädigte Trennscheiben brechen normalerweise während dieses Probelaufs auseinander.

10. **Tragen Sie persönliche Schutzausrüstung. Tragen Sie stets einen Gehörschutz. Benutzen Sie je nach der Arbeit einen Gesichtsschutz bzw. eine Sicherheits- oder Schutzbrille. Tragen Sie bei Bedarf eine Staubmaske, Handschuhe und eine Arbeitsschürze, die in der Lage ist, kleine Schleifpartikel oder Werkstücksplitter abzuwehren.** Der Augenschutz muss in der Lage sein, den bei verschiedenen Arbeiten anfallenden Flugstaub abzuwehren. Die Staubmaske oder Atemschutzmaske muss in der Lage sein, durch die Arbeit erzeugte Partikel herauszufiltern. Lang anhaltende Lärmbelastung kann zu Gehörschäden führen.
11. **Halten Sie Umstehende in sicherem Abstand vom Arbeitsbereich. Jeder, der den Arbeitsbereich betritt, muss persönliche Schutzausrüstung tragen.** Bruchstücke des Werkstücks oder einer beschädigten Trennscheibe können weggeschleudert werden und Verletzungen über den unmittelbaren Arbeitsbereich hinaus verursachen.
12. **Halten Sie das Elektrowerkzeug nur an den isolierten Griffflächen, wenn Sie Arbeiten ausführen, bei denen die Gefahr besteht, dass das Schneidzubehör verborgene Kabel kontaktiert.** Bei Kontakt mit einem Strom führenden Kabel können die freiliegenden Metallteile des Elektrowerkzeugs ebenfalls Strom führend werden, so dass der Benutzer einen elektrischen Schlag erleiden kann.
13. **Legen Sie das Elektrowerkzeug erst ab, nachdem das Zubehörteil zum vollständigen Stillstand gekommen ist.** Anderenfalls kann die rotierende Trennscheibe die Oberfläche erfassen und das Elektrowerkzeug aus Ihren Händen reißen.
14. **Lassen Sie das Elektrowerkzeug nicht laufen, während Sie es an Ihrer Seite tragen.** Das rotierende Zubehörteil könnte sonst bei versehentlichem Kontakt Ihre Kleidung erfassen und auf Ihren Körper zu gezogen werden.
15. **Reinigen Sie die Ventilationsöffnungen des Elektrowerkzeugs regelmäßig.** Der Lüfter des Motors saugt Staub in das Gehäuse an, und starke Ablagerungen von Metallstaub können elektrische Gefahren verursachen.
16. **Betreiben Sie das Elektrowerkzeug nicht in der Nähe von brennbaren Materialien.** Funken könnten diese Materialien entzünden.
17. **Verwenden Sie keine Zubehörteile, die Kühlflüssigkeiten erfordern.** Die Verwendung von Wasser oder anderen Kühlflüssigkeiten kann zu einem Stromschlag führen.

Warnungen vor Rückschlag und damit zusammenhängenden Gefahren

Rückschlag ist eine plötzliche Reaktion auf eine eingeklemmte oder stockende Trennscheibe. Klemmen oder Hängenbleiben verursacht sofortiges Stocken der rotierenden Trennscheibe, was wiederum dazu führt, dass das außer Kontrolle geratene Elektrowerkzeug am Stockpunkt in die entgegengesetzte Drehrichtung der Trennscheibe geschleudert wird.

Wenn beispielsweise eine Schleifscheibe vom Werkstück erfasst oder eingeklemmt wird, kann sich die in den Klemmpunkt eindringende Schleifscheibenkante in die Materialoberfläche bohren, so dass sie herauspringt oder zurückschlägt. Je nach der Drehrichtung der Schleifscheibe am Klemmpunkt kann die Schleifscheibe auf die Bedienungsperson zu oder von ihr weg springen. Schleifscheiben können unter solchen Bedingungen auch brechen.

Rückschlag ist das Resultat falscher Handhabung des Elektrowerkzeugs und/oder falscher Arbeitsverfahren oder -bedingungen und kann durch Anwendung der nachstehenden Vorsichtsmaßnahmen vermieden werden.

1. **Halten Sie das Elektrowerkzeug mit festem Griff, und positionieren Sie Ihren Körper und Arm so, dass Sie die Rückschlagkräfte auffangen können. Benutzen Sie stets den Zusatzgriff, wenn vorhanden, um maximale Kontrolle über Rückschlag oder Drehbewegungen während des Anlaufs zu haben.** Drehbewegungen oder Rückschlagkräfte können kontrolliert werden, wenn entsprechende Vorkehrungen getroffen werden.
2. **Legen Sie Ihre Hand niemals in die Nähe des rotierenden Zubehörteils.** Bei einem Rückschlag könnte das Zubehörteil Ihre Hand verletzen.
3. **Stellen Sie sich nicht so, dass sich Ihr Körper in einer Linie mit der rotierenden Trennscheibe befindet.** Der Rückschlag schleudert das Werkzeug am Stockpunkt in die entgegengesetzte Drehrichtung der Trennscheibe.
4. **Lassen Sie beim Bearbeiten von Ecken und scharfen Kanten usw. besondere Vorsicht walten. Vermeiden Sie Anstoßen und Verhaken des Zubehörteils.** Ecken, scharfe Kanten oder Anstoßen führen leicht zu Hängenbleiben des rotierenden Zubehörteils und verursachen Verlust der Kontrolle oder Rückschlag.
5. **Bringen Sie keine Sägeketten, Holzfräsen, Segment-Diamantscheiben mit einem Randspalt von mehr als 10 mm oder gezahnte Sägeblätter an.** Solche Blätter verursachen häufige Rückschläge und Verlust der Kontrolle.
6. **Vermeiden Sie „Verkanten“ der Trennscheibe oder die Ausübung übermäßigen Drucks. Versuchen Sie nicht, übermäßig tiefe Schnitte zu machen.** Überbeanspruchung der Trennscheibe erhöht die Belastung und die Empfänglichkeit für Verdrehen oder Klemmen der Trennscheibe im Schnitt sowie die Möglichkeit von Rückschlag oder Scheibenbruch.

7. Falls die Trennscheibe klemmt oder der Schnitt aus irgendeinem Grund unterbrochen wird, schalten Sie das Elektrowerkzeug aus und halten Sie es bewegungslos im Werkstück, bis die Trennscheibe zum völligen Stillstand kommt. Versuchen Sie auf keinen Fall, die rotierende Trennscheibe aus dem Schnitt zu entfernen, weil sonst ein Rückschlag auftreten kann. Nehmen Sie eine Überprüfung vor, und treffen Sie Abhilfemaßnahmen, um die Ursache von Trennscheiben-Klemmen zu beseitigen.
8. Setzen Sie den Schnittbetrieb nicht mit im Werkstück fort. Führen Sie die Trennscheibe vorsichtig in den Schnitt ein, nachdem sie die volle Drehzahl erreicht hat. Wird das Elektrowerkzeug mit im Werkstück sitzender Trennscheibe eingeschaltet, kann die Trennscheibe klemmen, hochsteigen oder zurückschlagen.
9. Stützen Sie Platten oder andere übergroße Werkstücke ab, um die Gefahr von Klemmen oder Rückschlag der Trennscheibe zu minimieren. Große Werkstücke neigen dazu, unter ihrem Eigengewicht durchzuhängen. Die Stützen müssen beidseitig der Trennscheibe nahe der Schnittlinie und in der Nähe der Werkstückkante unter das Werkstück platziert werden.
10. Lassen Sie besondere Vorsicht walten, wenn Sie einen „Taschenschnitt“ in bestehende Wände oder andere Blindflächen durchführen. Die vorstehende Trennscheibe kann Gas- oder Wasserleitungen, Stromkabel oder Objekte durchschneiden, die Rückschlag verursachen können.
11. Bevor Sie eine Segment-Diamantscheibe verwenden, vergewissern Sie sich, dass die Diamantscheibe einen Randspalt zwischen den Segmenten von maximal 10 mm hat, und nur einen negativen Spanwinkel aufweist.

Zusätzliche Sicherheitswarnungen:

1. Versuchen Sie niemals, das Werkzeug zum Schneiden verkehrt herum in einen Schraubstock einzuspannen. Dies ist sehr gefährlich und kann zu schweren Unfällen führen.
2. Vergewissern Sie sich, dass das Werkstück sicher abgestützt ist.
3. Manche Materialien können giftige Chemikalien enthalten. Treffen Sie Vorsichtsmaßnahmen, um das Einatmen von Arbeitsstaub und Hautkontakt zu verhindern. Befolgen Sie die Sicherheitsdaten des Materiallieferanten.
4. Lagern Sie Trennscheiben gemäß den Herstellerempfehlungen. Falsche Lagerung kann die Trennscheiben beschädigen.

BEWAHREN SIE DIESE ANLEITUNG AUF.

⚠️ WARNUNG: Lassen Sie sich NICHT durch Bequemlichkeit oder Vertrautheit mit dem Produkt (durch wiederholten Gebrauch erworben) von der strikten Einhaltung der Sicherheitsregeln für das vorliegende Produkt abhalten. MISSBRAUCH oder Missachtung der Sicherheitsvorschriften in dieser Anleitung können schwere Personenschäden verursachen.

Wichtige Sicherheitsanweisungen für Akku

1. Lesen Sie vor der Benutzung des Akkus alle Anweisungen und Warnhinweise, die an (1) Ladegerät, (2) Akku und (3) Akkuwerkzeug angebracht sind.
2. Unterlassen Sie Zerlegen oder Manipulieren des Akkus. Es kann sonst zu einem Brand, übermäßiger Hitzeentwicklung oder einer Explosion kommen.
3. Falls die Betriebszeit beträchtlich kürzer geworden ist, stellen Sie den Betrieb sofort ein. Anderenfalls besteht die Gefahr von Überhitzung, möglichen Verbrennungen und sogar einer Explosion.
4. Falls Elektrolyt in Ihre Augen gelangt, waschen Sie sie mit sauberem Wasser aus, und begeben Sie sich unverzüglich in ärztliche Behandlung. Anderenfalls können Sie Ihre Sehkraft verlieren.
5. Der Akku darf nicht kurzgeschlossen werden:
 - (1) Die Kontakte dürfen nicht mit leitfähigem Material berührt werden.
 - (2) Lagern Sie den Akku nicht in einem Behälter zusammen mit anderen Metallgegenständen, wie z. B. Nägel, Münzen usw.
 - (3) Setzen Sie den Akku weder Wasser noch Regen aus.

Ein Kurzschluss des Akkus verursacht starken Stromfluss, der Überhitzung, mögliche Verbrennungen und einen Defekt zur Folge haben kann.
6. Lagern und benutzen Sie das Werkzeug und den Akku nicht an Orten, an denen die Temperatur 50 °C erreichen oder überschreiten kann.
7. Versuchen Sie niemals, den Akku zu verbrennen, selbst wenn er stark beschädigt oder vollkommen verbraucht ist. Der Akku kann im Feuer explodieren.
8. Unterlassen Sie Nageln, Schneiden, Zerquetschen, Werfen, Fallenlassen des Akkus oder Schlagen des Akkus mit einem harten Gegenstand. Eine solche Handlung kann zu einem Brand, übermäßiger Hitzeentwicklung oder einer Explosion führen.
9. Benutzen Sie keine beschädigten Akkus.
10. Die enthaltenen Lithium-Ionen-Akkus unterliegen den Anforderungen der Gefahrgut-Gesetzgebung. Für kommerzielle Transporte, z. B. durch Dritte oder Spediteure, müssen besondere Anforderungen zu Verpackung und Etikettierung beachtet werden. Zur Vorbereitung des zu transportierenden Artikels ist eine Beratung durch einen Experten für Gefahrgut erforderlich. Bitte beachten Sie möglicherweise ausführlichere nationale Vorschriften. Überkleben oder verdecken Sie offene Kontakte, und verpacken Sie den Akku so, dass er sich in der Verpackung nicht umher bewegen kann.
11. Entfernen Sie den Akku zum Entsorgen vom Werkzeug, und entsorgen Sie ihn an einem sicheren Ort. Befolgen Sie die örtlichen Vorschriften bezüglich der Entsorgung von Akkus.

12. **Verwenden Sie die Akkus nur mit den von Makita angegebenen Produkten.** Das Einsetzen der Akkus in nicht konforme Produkte kann zu einem Brand, übermäßiger Hitzebildung, einer Explosion oder Auslaufen von Elektrolyt führen.
13. **Soll das Werkzeug längere Zeit nicht benutzt werden, muss der Akku vom Werkzeug entfernt werden.**
14. **Bei und nach dem Gebrauch kann der Akku heiß werden, was Verbrennungen oder Niedertemperaturverbrennungen verursachen kann. Beachten Sie die Handhabung von heißen Akkus.**
15. **Berühren Sie nicht den Anschlusskontakt des Werkzeugs unmittelbar nach dem Gebrauch, da er heiß genug werden kann, um Verbrennungen zu verursachen.**
16. **Achten Sie darauf, dass sich keine Späne, Staub oder Schmutz in den Anschlusskontakten, Löchern und Nuten des Akkus absetzen.** Es könnte sonst zu Erhitzung, Brandauslösung, Bersten und Funktionsstörungen des Werkzeugs oder des Akkus kommen, was zu Verbrennungen oder Personenschäden führen kann.
17. **Wenn das Werkzeug den Einsatz in der Nähe einer Hochspannungs-Stromleitung nicht unterstützt, benutzen Sie den Akku nicht in der Nähe einer Hochspannungs-Stromleitung.** Dies kann zu einer Funktionsstörung oder Betriebsstörung des Werkzeugs oder des Akkus führen.
18. **Halten Sie die Batterie von Kindern fern.**

DIESE ANWEISUNGEN AUFBEWAHREN.

⚠ VORSICHT: Verwenden Sie nur Original-Makita-Akkus. Die Verwendung von Nicht-Original-Makita-Akkus oder von Akkus, die abgeändert worden sind, kann zum Bersten des Akkus und daraus resultierenden Bränden, Personenschäden und Beschädigung führen. Außerdem wird dadurch die Makita-Garantie für das Makita-Werkzeug und -Ladegerät ungültig.

Hinweise zur Aufrechterhaltung der maximalen Akku-Nutzungsdauer

1. **Laden Sie den Akku, bevor er vollkommen erschöpft ist. Schalten Sie das Werkzeug stets aus, und laden Sie den Akku, wenn Sie ein Nachlassen der Werkzeugleistung feststellen.**
2. **Unterlassen Sie erneutes Laden eines voll aufgeladenen Akkus. Überladen führt zu einer Verkürzung der Nutzungsdauer des Akkus.**
3. **Laden Sie den Akku bei Raumtemperatur zwischen 10 – 40 °C. Lassen Sie einen heißen Akku abkühlen, bevor Sie ihn laden.**
4. **Wenn Sie den Akku nicht benutzen, nehmen Sie ihn vom Werkzeug oder Ladegerät ab.**
5. **Der Akku muss geladen werden, wenn er lange Zeit (länger als sechs Monate) nicht benutzt wird.**

FUNKTIONSBE-SCHREIBUNG

⚠ VORSICHT: Vergewissern Sie sich vor der Durchführung von Einstellungen oder Funktionsprüfungen des Werkzeugs stets, dass das Werkzeug ausgeschaltet und der Akku abgenommen ist.

Anbringen und Abnehmen des Akkus

⚠ VORSICHT: Schalten Sie das Werkzeug stets aus, bevor Sie den Akku anbringen oder abnehmen.

⚠ VORSICHT: Halten Sie das Werkzeug und den Akku beim Anbringen oder Abnehmen des Akkus sicher fest. Wenn Sie das Werkzeug und den Akku nicht sicher festhalten, können sie Ihnen aus der Hand rutschen, was zu einer Beschädigung des Werkzeugs und des Akkus und zu Körperverletzungen führen kann.

► **Abb.1:** 1. Rote Anzeige 2. Knopf 3. Akku

Ziehen Sie den Akku zum Abnehmen vom Werkzeug ab, während Sie den Knopf an der Vorderseite des Akkus verschieben.

Richten Sie zum Anbringen des Akkus dessen Führungsfeder auf die Nut im Gehäuse aus, und schieben Sie den Akku hinein. Schieben Sie ihn vollständig ein, bis er mit einem leisen Klicken einrastet. Wenn Sie die rote Anzeige sehen können, wie in der Abbildung gezeigt, ist der Akku nicht vollständig verriegelt.

⚠ VORSICHT: Schieben Sie den Akku stets bis zum Anschlag ein, bis die rote Anzeige nicht mehr sichtbar ist. Anderenfalls kann er aus dem Werkzeug herausfallen und Sie oder umstehende Personen verletzen.

⚠ VORSICHT: Unterlassen Sie Gewaltanwendung beim Anbringen des Akkus. Falls der Akku nicht reibungslos hineingleitet, ist er nicht richtig ausgerichtet.

Anzeigen der Akku-Restkapazität

Nur für Akkus mit Anzeige

► **Abb.2:** 1. Anzeigelampen 2. Prüftaste

Drücken Sie die Prüftaste am Akku, um die Akku-Restkapazität anzuzeigen. Die Anzeigelampen leuchten wenige Sekunden lang auf.

Anzeigelampen			Restkapazität
Erleuchtet	Aus	Blinkend	
			75% bis 100%
			50% bis 75%
			25% bis 50%
			0% bis 25%
			Den Akku aufladen.
			Möglicherweise liegt eine Funktionsstörung im Akku vor.

HINWEIS: Abhängig von den Benutzungsbedingungen und der Umgebungstemperatur kann die Anzeige geringfügig von der tatsächlichen Kapazität abweichen.

HINWEIS: Die erste (äußerste linke) Anzeigelampe blinkt, wenn das Akku-Schutzsystem aktiv ist.

Werkzeug/Akku-Schutzsystem

Das Werkzeug ist mit einem Werkzeug/Akku-Schutzsystem ausgestattet. Dieses System schaltet die Stromversorgung des Motors automatisch ab, um die Lebensdauer von Werkzeug und Akku zu verlängern. Das Werkzeug bleibt während des Betriebs automatisch stehen, wenn das Werkzeug oder der Akku einer der folgenden Bedingungen unterliegt. Bei manchen Bedingungen leuchten die Anzeigen auf.

Überlastschutz

Wird das Werkzeug/der Akku auf eine Weise benutzt, die eine ungewöhnlich hohe Stromaufnahme bewirkt, bleibt das Werkzeug automatisch stehen, und die Betriebslampe blinkt. Schalten Sie in dieser Situation das Werkzeug aus, und brechen Sie die Anwendung ab, die eine Überlastung des Werkzeugs verursacht hat. Schalten Sie dann das Werkzeug wieder ein, um es neu zu starten.

Überhitzungsschutz

Wenn das Werkzeug oder der Akku überhitzt wird, bleibt das Werkzeug automatisch stehen, und die Betriebslampe beginnt zu blinken. Lassen Sie das Werkzeug in dieser Situation abkühlen, bevor Sie es wieder einschalten.

Überentladungsschutz

Wenn die Akkukapazität niedrig wird, bleibt das Werkzeug automatisch stehen. Falls das Werkzeug nicht gemäß der Schalterbetätigung läuft, entfernen Sie den Akku vom Werkzeug, und laden Sie ihn auf.

Schutz gegen andere Ursachen

Das Schutzsystem ist auch für andere Ursachen ausgelegt, die eine Beschädigung des Werkzeugs bewirken könnten, und ermöglicht automatisches Anhalten des Werkzeugs. Führen Sie alle folgenden Schritte aus, um die Ursachen zu beseitigen, wenn das Werkzeug zu einem vorübergehenden Stillstand oder Betriebsstopp gekommen ist.

1. Schalten Sie das Werkzeug aus und wieder ein, um es neu zu starten.
2. Laden Sie den/die Akku(s) auf, oder tauschen Sie ihn/sie gegen einen aufgeladenen Akku/aufgeladene Akkus aus.
3. Lassen Sie das Werkzeug und den/die Akku(s) abkühlen.

Falls die Wiederherstellung des Schutzsystems keine Besserung bringt, wenden Sie sich an Ihre lokale Makita-Kundendienststelle.

Schalterfunktion

⚠️ WARNUNG: Betreiben Sie das Werkzeug **NIEMALS**, wenn es durch einfache Betätigung des Ein-Aus-Schalters eingeschaltet werden kann, ohne den Einschaltsperrknopf zu drücken. Ein reparaturbedürftiger Schalter kann zu ungewolltem Betrieb und daraus resultierenden schweren Personenschäden führen. Lassen Sie das Werkzeug von einer Makita-Kundendienststelle ordnungsgemäß reparieren, BEVOR Sie es weiter benutzen.

⚠️ WARNUNG: Versuchen Sie **NIEMALS**, den Einschaltsperrknopf mit Klebeband oder anderen Mitteln unwirksam zu machen. Ein Schalter mit unwirksamem Einschaltsperrknopf kann zu ungewolltem Betrieb und daraus resultierenden schweren Personenschäden führen.

⚠️ VORSICHT: Vergewissern Sie sich vor dem Einsetzen des Akkus in das Werkzeug stets, dass der Ein-Aus-Schalter ordnungsgemäß funktioniert und beim Loslassen in die AUS-Stellung zurückkehrt.

⚠️ VORSICHT: Betätigen Sie den Auslöseschalter nicht gewaltsam, ohne den Einschaltsperrknopf hineinzudrücken. Dies kann zu Beschädigung des Schalters führen.

⚠️ VORSICHT: Das Werkzeug beginnt unmittelbar nach dem Loslassen des Auslöseschalters mit dem Abbremsen der Scheibendrehung. Halten Sie das Werkzeug gut fest, um der Bremsreaktion beim Loslassen des Auslöseschalters entgegenzuwirken. Eine plötzliche Reaktion kann das Werkzeug aus Ihrer Hand reißen und einen Personenschaden verursachen.

Um versehentliche Betätigung des Auslöseschalters zu verhüten, ist das Werkzeug mit einem Einschaltsperrknopf ausgestattet. Zum Starten des Werkzeugs halten Sie den Einschaltsperrknopf gedrückt, und betätigen Sie dann den Auslöseschalter. Zum Ausschalten lassen Sie den Auslöseschalter los.

► **Abb.3:** 1. Ein-Aus-Schalter 2. Einschaltsperrknopf

Auswahl der Scheibe

⚠ VORSICHT: Die Nenndrehzahl des Zubehörs muss mindestens der am Elektrowerkzeug angegebenen Maximaldrehzahl entsprechen. Zubehörteile, die schneller als ihre Nenndrehzahl rotieren, können bersten und auseinander fliegen.

⚠ VORSICHT: Scheiben dürfen nur für empfohlene Anwendungen eingesetzt werden.

Wählen Sie einen der am besten geeigneten Trennscheibentypen gemäß Ihrer Anwendung aus.

Scheibentyp	Praktische Anwendungen
Trennscheibe	Schneiden von Stahl, Edelstahl, Metallen
Wolframkarbid-Kornscheibe	Schneiden von Kunststoffen, Gips, Verbundwerkstoffen
Diamantscheibe	Schneiden von Fliesen, Keramiken

Scheibendrehrichtung

⚠ VORSICHT: Prüfen Sie stets die Drehrichtung, bevor Sie mit der Arbeit beginnen.

⚠ VORSICHT: Betätigen Sie den Drehrichtungsumschalter erst, nachdem das Werkzeug völlig zum Stillstand gekommen ist. Ein plötzlicher Wechsel der Drehrichtung während des Betriebs bringt das Werkzeug aus Sicherheitsgründen schlagartig zum Stillstand.

Die Scheibendrehung kann sowohl in Vorwärts- als auch in Rückwärtsrichtung gewechselt werden. Um die Vorwärtsdrehung einzustellen, schieben Sie den Drehrichtungsumschalter nach links, bis die Anzeige „F“ auf dem Schalter erscheint.

Um die Rückwärtsdrehung zu wählen, schieben Sie den Drehrichtungsumschalter nach rechts, bis die Anzeige „R“ auf dem Schalter erscheint.

► **Abb.4:** 1. Drehrichtungsumschalter

Späne, Bruchstücke, Funken und Schneidpartikel neigen dazu, entlang der tangentialen Richtung der Scheibendrehung wegzufliegen. Benutzen Sie die Schutzhaube effektiv, um zu vermeiden, dass Sie weiterhin den Trennpartikeln ausgesetzt sind, damit sie einen Teil des Schneidstaubs und der Partikel in eine andere Richtung ableiten kann.

Eine Reaktion auf ein schnelles Blockieren der rotierenden Scheibe könnte dazu führen, dass das Werkzeug in die der Scheibendrehung entgegengesetzte Richtung unkontrolliert wird.

Vorwärtsdrehung

► **Abb.5:** 1. Trennpartikel 2. Reaktionen

Rückwärtsdrehung

► **Abb.6:** 1. Trennpartikel 2. Reaktionen

Schutzhaube

⚠ VORSICHT: Vergewissern Sie sich vor dem Betrieb, dass die Schutzhaube korrekt und fest hinter der Trennscheibe positioniert ist.

Sichern Sie die Schutzhaube in einer bequemen Position, um maximale Sicherheit zu gewährleisten und mögliche Risikofaktoren je nach Ihren Arbeitsbedingungen und Bevorzugungen auf ein Minimum zu reduzieren.

Vorwärts positionieren

► **Abb.7:** 1. Schutzhaube 2. Trennscheibe

Rückwärts positionieren

► **Abb.8:** 1. Schutzhaube 2. Trennscheibe

Spindelarretierung

Drücken Sie die Spindelarretierung, um zu verhindern, dass sich die Spindel beim Montieren und Demontieren einer Trennscheibe dreht.

► **Abb.9:** 1. Spindelarretierung

ANMERKUNG: Betätigen Sie die Spindelarretierung niemals bei rotierender Spindel. Das Werkzeug kann sonst beschädigt werden.

Betriebslampe

⚠ VORSICHT: Blicken Sie nicht direkt in die Lampe oder die Lichtquelle.

Um die Betriebslampe einzuschalten, halten Sie den Einschaltsperrknopf gedrückt, und betätigen Sie den Auslöseschalter.

Die Lampe erlischt ungefähr 15 Sekunden nach dem Loslassen des Auslöseschalters.

► **Abb.10:** 1. Betriebslampe

ANMERKUNG: Wird das Werkzeug mit übermäßiger Last betrieben, blinkt die Betriebslampe. Lassen Sie in diesem Fall den Auslöseschalter los, und verringern Sie die Belastung des Werkzeugs, bevor Sie den Betrieb wieder aufnehmen.

ANMERKUNG: Bei Überhitzung des Werkzeugs blinkt die Betriebslampe. Lassen Sie in diesem Fall den Auslöseschalter los, und lassen Sie dann das Werkzeug/den Akku abkühlen, bevor Sie die Arbeit fortsetzen.

HINWEIS: Wischen Sie Schmutz auf der Lampenlinse mit einem trockenen Tuch ab. Achten Sie sorgfältig darauf, dass Sie die Lampenlinse nicht verkratzen, weil sich sonst die Lichtstärke verringert.

Einstellen der Schnitttiefe

⚠ VORSICHT: Ziehen Sie die Flügelschraube nach der Einstellung der Schnitttiefe stets fest an.

Bei installierter Staubabsaughaube ist eine Feineinstellung der Schnitttiefe bis zu 13,5 mm möglich.

Lösen Sie die Flügelschraube an der Tiefenskala. Heben Sie den Werkzeuggriff an oder senken Sie ihn ab, um die Tiefenanzeigen auf der Abdeckung auf die gewünschte Schnitttiefe auf der Skala auszurichten. Ziehen Sie dann die Flügelschraube an.

► **Abb.11:** 1. Flügelschraube 2. Tiefenskala 3. Tiefenanzeige

⚠ VORSICHT: Für sauberes und sicheres Schneiden stellen Sie die Schnitttiefen so ein, dass eine Trennscheibe die Unterseite des Werkstücks um höchstens 2,0 mm überragt. Die Einstellung der richtigen Schnitttiefe hilft, gefährliche Rückschläge zu vermeiden, die Personenschäden verursachen können.

Schnittmarkierung für Geradschnitte

Bei installierter Staubabsaughaube kann ein gerader Schnittbetrieb sicher durchgeführt werden, indem die Trennscheibe vor dem eigentlichen Schnittbetrieb auf die Schnitttrichtung ausgerichtet wird.

Richten Sie die Führungskerbe im Boden der Staubabsaughaube auf die vorgesehene Schnittlinie am Werkstück aus.

► **Abb.12:** 1. Führungskerbe 2. Grundplatte 3. Schnittlinie

Anschließen eines Sauggeräts

Sonderzubehör

Wenn Sie saubere Schneidarbeiten durchführen wollen, schließen Sie ein Makita-Sauggerät mit einer Frontmanschette 22 (Sonderzubehör) an den Absaugstutzen in der Staubabsaughaube an.

► **Abb.13:** 1. Frontmanschetten 22 2. Absaugstutzen 3. Schlauch 4. Sauggerät

Funktion zur Verhütung eines versehentlichen Wiederanlaufs

Wenn Sie den Akku installieren, während Sie den Auslöseschalter betätigen, lässt sich das Werkzeug nicht starten.

Lassen Sie zuerst den Auslöseschalter los, um das Werkzeug zu starten. Halten Sie den Einschaltsperrknopf gedrückt, und betätigen Sie dann den Auslöseschalter.

Elektronikfunktionen

Das Werkzeug ist für komfortablen Betrieb mit Elektronikfunktionen ausgestattet.

- Elektrische Bremse
Dieses Werkzeug ist mit einer elektrischen Bremse ausgestattet. Falls das Werkzeug nach dem Loslassen des Auslöseschalters ständig nicht sofort anhält, lassen Sie es von einer Makita-Kundendienststelle warten.
- Konstantdrehzahlregelung
Die Drehzahlregelfunktion liefert eine konstante Drehzahl ungeachtet der Lastbedingungen.
- Aktive Rückkopplungs-Erkennungstechnologie
Das Werkzeug erkennt durch eine Elektronik Situationen, in denen die Gefahr besteht, dass die Schleifscheibe oder das Zubehörteil klemmt. In einer solchen Situation wird das Werkzeug automatisch ausgeschaltet, um eine Weiterdrehung der Spindel zu verhindern (Rückschlag wird dadurch nicht verhütet). Um das Werkzeug wieder zu starten, schalten Sie es zuerst aus, beseitigen Sie die Ursache des plötzlichen Drehzahlabfalls, und schalten Sie dann das Werkzeug wieder ein.

MONTAGE

⚠ VORSICHT: Vergewissern Sie sich vor der Ausführung von Arbeiten am Werkzeug stets, dass das Werkzeug ausgeschaltet und der Akku abgenommen ist.

Aufbewahrung des Inbusschlüssels

Der Inbusschlüssel kann an der in der Abbildung gezeigten Stelle aufbewahrt werden, damit er nicht verloren geht.

► **Abb.14:** 1. Inbusschlüssel

Demontieren und Montieren einer Trennscheibe

⚠ VORSICHT: Verwenden Sie nur den mitgelieferten Makita-Inbusschlüssel zum Demontieren und Montieren einer Trennscheibe.

⚠ VORSICHT: Ziehen Sie die Schraube beim Montieren einer Trennscheibe sicher fest.

ANMERKUNG: Um die optimale Leistung zu erzielen, achten Sie beim Installieren einer Diamantscheibe immer darauf, dass die Pfeile auf der Diamantscheibe in die gleiche Richtung zeigen wie die gewünschte Scheibendrehung.

Um eine Trennscheibe zu demontieren, drücken Sie die Spindelarreterierung ganz durch, so dass sich die Trennscheibe nicht mehr drehen kann, und lösen Sie die Innensechskantschraube durch Drehen des Inbusschlüssels entgegen dem Uhrzeigersinn. Entfernen Sie dann Innensechskantschraube, Außenflansch und Trennscheibe.

► **Abb.15:** 1. Spindelarreterierung 2. Inbusschlüssel 3. Innensechskantschraube 4. Lösen 5. Anziehen

ANMERKUNG: Falls der Innenflansch entfernt wurde, setzen Sie ihn mit dem Scheibenmontage teil nach oben gerichtet wieder auf die Spindel.

Wenden Sie zum Montieren einer Trennscheibe das Demontageverfahren umgekehrt an.

- **Abb.16:** 1. Innensechskantschraube
2. Außenflansch 3. Trennscheibe
4. Innenflansch 5. Spindel

Anbringen und Abnehmen der Staubabsaughaube

⚠ VORSICHT: Vergewissern Sie sich vor dem Betrieb, dass die Schutzhaube durch den Stopper in der Staubabsaughaube sicher verriegelt ist.

⚠ VORSICHT: Vermeiden Sie die Verwendung der Staubabsaughaube für Metallarbeiten, bei denen Hitze und Funkenflug entstehen, da dadurch die Kunststoffteile der Staubabsaughaube schmelzen können.

Die Staubabsaughaube verbessert den sicheren und effizienten Schneidbetrieb, indem sie einen Schutz gegen die rotierende Scheibe, die Schneidstabilität, die präzise Kontrolle der Schnitttiefe und Lösungen für die Staubabsaugung bietet, insbesondere bei Zuschnitten von Fliesen, Gips und Steingut.

Installieren der Staubabsaughaube

1. Lösen Sie die Flügelschraube an der Tiefenskala der Staubabsaughaube. Heben Sie die Haube vollständig an, und ziehen Sie die Flügelschraube fest, um die Staubabsaughaube in einer angehobenen Position zu sichern.
► **Abb.17:** 1. Flügelschraube 2. Tiefenskala
3. Staubabsaughaube
2. Bringen Sie die Schutzhaube am Werkzeug in eine vordere Position.
► **Abb.18:** 1. Schutzhaube
3. Heben Sie den Werkzeuggriff leicht an, und setzen Sie die vordere Hälfte der Schutzhaube in einem Winkel in die Staubabsaughaube ein, wobei die Unterseite der Trennscheibe durch den Scheibenschlitz in der Basis nach unten geworfen wird.
► **Abb.19:** 1. Schutzhaube 2. Staubabsaughaube
3. Trennscheibe 4. Scheibenschlitz
4. Installieren Sie die hintere Hälfte der Schutzhaube in die Staubabsaughaube, während Sie den Werkzeuggriff von einer angehobenen auf eine abge senkte Position absenken.
► **Abb.20:** 1. Schutzhaube 2. Staubabsaughaube
5. Heben Sie den Werkzeuggriff erneut an, um die Hinterkante der Schutzhaube über den Stopper in der Staubabsaughaube einzuhaken.
► **Abb.21:** 1. Schutzhaube 2. Stopper
6. Lösen Sie die Flügelschraube. Schwenken Sie das Werkzeug in der gewünschten Schnitttiefe auf und ab. Ziehen Sie dann die Flügelschraube an, um das Werkzeug zu sichern.

Abnehmen der Staubabsaughaube

1. Lösen Sie die Flügelschraube an der Tiefenskala der Staubabsaughaube. Heben Sie den Werkzeuggriff vollständig an, und ziehen Sie dann die Flügelschraube fest, um die Staubabsaughaube in einer angehobenen Position zu sichern.
► **Abb.22:** 1. Flügelschraube 2. Tiefenskala
3. Staubabsaughaube
2. Schieben Sie den Entriegelungshebel in Richtung der Flügelschraube, um die Schutzhaube vom Stopper im Inneren der Staubabsaughaube zu lösen.
► **Abb.23:** 1. Entriegelungshebel 2. Flügelschraube
3. Schutzhaube 4. Staubabsaughaube
5. Stopper
3. Demontieren Sie die hintere Hälfte der Schutzhaube von der Staubabsaughaube, während Sie den Werkzeuggriff von einer angehobenen auf eine abge senkte Position absenken.
► **Abb.24:** 1. Schutzhaube 2. Staubabsaughaube
4. Ziehen Sie die vordere Hälfte der Schutzhaube in einem leichten Winkel nach oben und außen von der Staubabsaughaube ab.
► **Abb.25:** 1. Schutzhaube 2. Staubabsaughaube

BETRIEB

⚠ VORSICHT: Halten Sie das Werkzeug während des Betriebs immer mit festem Griff.

⚠ VORSICHT: Üben Sie keinen übermäßigen Druck auf das Werkzeug aus. Gewaltanwendung und übermäßige Druckausübung sowie Verbiegen, Klemmen oder Verdrehen der Trennscheibe im Schnitt können Überhitzen des Motors und gefährlichen Rückschlag des Werkzeugs verursachen.

⚠ VORSICHT: Achten Sie beim Schneiden von Kunststoffen darauf, dass die Trennscheibe nicht überhitzt wird. Dies kann zum Schmelzen des Werkstücks führen.

⚠ VORSICHT: Unterlassen Sie Anschlagen oder Anstoßen einer Trennscheibe beim Starten oder während des Betriebs.

⚠ VORSICHT: Tragen Sie bei der Arbeit stets eine Schutzbrille oder einen Gesichtsschutz.

⚠ VORSICHT: Schalten Sie das Werkzeug nach der Arbeit stets aus, und warten Sie, bis die Scheibe zum völligen Stillstand gekommen ist, bevor Sie das Werkzeug ablegen.

Abwärtsschneiden

ANMERKUNG: Achten Sie darauf, dass Sie eine effektive Schneidfläche der Scheibe verwenden, um eine Exposition gegenüber abgeschnittenen Partikeln zu vermeiden.

ANMERKUNG: Halten Sie eine Trennscheibe gerade im Werkstück und vermeiden Sie Kippen oder Schwenken des Werkzeugs während des Betriebs.

Positionieren Sie die Schutzhaube richtig, um maximalen Schutz vor Funken und losen Partikeln zu gewährleisten, die von der Trennscheibe weggeschleudert werden. Halten Sie das Werkzeug über das Werkstück, ohne dass die Trennscheibe damit in Berührung kommt. Schalten Sie das Werkzeug ein, und warten Sie, bis die Trennscheibe die volle Drehzahl erreicht hat. Senken Sie dann das Werkzeug langsam über die Werkstückoberfläche ab, und verwenden Sie dabei einenmäßigen Vorschub, der für Ihre Anwendungen geeignet ist.

Vorwärtsdrehung

► Abb.26

Rückwärtsdrehung

► Abb.27

Gerade Schnitte

⚠ VORSICHT: Achten Sie darauf, dass eine Trennscheibe immer in einer Aufwärtsschleifbewegung arbeitet. Anderenfalls kann das Werkzeug unkontrolliert aus dem Schnitt geschoben werden.

ANMERKUNG: Halten Sie Ihre Schnittlinie gerade, und üben Sie gleichmäßigen Druck aus, um einen gleichmäßigen Schnitt durch das Werkstück zu erzielen.

Setzen Sie die Grundplatte der Staubabsaughaube auf das zu schneidende Werkstück, ohne dass die Trennscheibe damit in Berührung kommt. Schalten Sie das Werkzeug ein, und warten Sie, bis die Trennscheibe die volle Drehzahl erreicht hat. Schieben Sie dann das Werkzeug flach und gleichmäßig über die Werkstückoberfläche, bis der Schnitt vollendet ist. Wählen Sie die Rückwärtsdrehung zum Schneiden auf Stoß und die Vorwärtsdrehung zum Schneiden auf Zug.

Stoßschneiden in Rückwärtsrichtung

► Abb.28

Zugschneiden in Vorwärtsrichtung

► Abb.29

HINWEIS: Beachten Sie, dass die Staubabsaughaube beim Schneiden auf Zug weniger effektiv funktioniert, da sich einige Schneidpartikel im Inneren der Haube gegen den Staubabsaugstrom verteilen.

WARTUNG

⚠ VORSICHT: Vergewissern Sie sich vor der Durchführung von Inspektions- oder Wartungsarbeiten stets, dass das Werkzeug ausgeschaltet und der Akku abgenommen ist.

ANMERKUNG: Verwenden Sie auf keinen Fall Benzin, Waschbenzin, Verdünnern, Alkohol oder dergleichen. Solche Mittel können Verfärbung, Verformung oder Rissbildung verursachen.

Um die SICHERHEIT und ZUVERLÄSSIGKEIT dieses Produkts zu gewährleisten, sollten Reparaturen und andere Wartungs- oder Einstellarbeiten nur von Makita-Vertragswerkstätten oder Makita-Kundendienstzentren unter ausschließlicher Verwendung von Makita-Originalersatzteilen ausgeführt werden.

Abrichten der Diamantscheibe

Wenn die Schneidfähigkeit der Diamantscheibe nachlässt, verwenden Sie eine ausrangierte grobkörnige Schleifscheibe oder einen Betonklotz, um die Diamantscheibe abzurichten. Spannen Sie dazu die Schleifscheibe oder den Betonklotz fest ein, und schneiden Sie die Diamantscheibe hinein.

Nach der Benutzung

Blasen Sie Staub aus dem Inneren des Werkzeugs aus, indem Sie das Werkzeug eine Zeitlang leer laufen lassen. Die Ansammlung von Staub im Motor kann eine Funktionsstörung des Werkzeugs verursachen.

Reinigen der Schutzhaube und der Staubabsaughaube

Reinigen Sie die Schutzhaube und die Staubabsaughaube regelmäßig von innen. Blasen oder wischen Sie darin angesammelten Schmutz oder Staub weg.

► **Abb.30:** 1. Schutzhaube 2. Staubabsaughaube

Reinigung der Ventilationsöffnungen

Reinigen Sie die Ventilationsöffnungen des Werkzeugs in regelmäßigen Abständen, um eine gleichmäßige Luftzirkulation zu gewährleisten. Entfernen Sie den Staubfänger von der Einlassöffnung, und reinigen Sie ihn, wenn er verschmutzt und verstopft ist.

► **Abb.31:** 1. Staubfänger 2. Einlassöffnung

SONDERZUBEHÖR

⚠ VORSICHT: Die folgenden Zubehörteile oder Vorrichtungen werden für den Einsatz mit dem in dieser Anleitung beschriebenen Makita-Werkzeug empfohlen. Die Verwendung anderer Zubehörteile oder Vorrichtungen kann eine Verletzungsgefahr darstellen. Verwenden Sie Zubehörteile oder Vorrichtungen nur für ihren vorgesehenen Zweck.

Wenn Sie weitere Einzelheiten bezüglich dieser Zubehörteile benötigen, wenden Sie sich bitte an Ihre Makita-Kundendienststelle.

- Trennscheibe
- Diamantscheibe
- Wolframkarbid-Kornscheibe
- Inbusschlüssel
- Original-Makita-Akku und -Ladegerät

HINWEIS: Manche Teile in der Liste können als Standardzubehör im Werkzeugsatz enthalten sein. Sie können von Land zu Land unterschiedlich sein.

DATI TECNICI

Modello:		DMC300
Diametro esterno disco		76 mm
Diametro interno disco (per l'albero)		10,0 mm/9,5 mm (3/8") (a seconda della nazione)
Spessore max disco		1,0 mm
Capacità max di taglio	Con copertura di raccolta polveri	13,5 mm
	Senza copertura di raccolta polveri	16,0 mm
Velocità nominale (n)/Velocità a vuoto (n ₀)		20.000 min ⁻¹
Lunghezza complessiva		271 mm *1
Tensione nominale		CC 18 V
Peso netto		Da 1,2 a 1,7 kg

*1. Con cartuccia della batteria (BL1860B)/Senza copertura di raccolta polveri

- A causa del nostro programma continuativo di ricerca e sviluppo, i dati tecnici sono soggetti a modifiche senza preavviso.
- I dati tecnici e la cartuccia della batteria potrebbero differire da nazione a nazione.
- Il peso può variare a seconda dell'accessorio o degli accessori, inclusa la cartuccia della batteria. La combinazione più leggera e quella più pesante, secondo la procedura EPTA 01/2014, sono indicate nella tabella.

Cartuccia della batteria e caricabatterie applicabili

Cartuccia della batteria	BL1815N / BL1820B / BL1830B / BL1840B / BL1850B / BL1860B
Caricabatterie	DC18RC / DC18RD / DC18RE / DC18SD / DC18SE / DC18SF / DC18SH / DC18WC

- Alcune cartucce delle batterie e alcuni caricabatterie elencati sopra potrebbero non essere disponibili a seconda della propria area geografica di residenza.

⚠AVVERTIMENTO: Utilizzare solo le cartucce delle batterie e i caricabatterie elencati sopra. L'utilizzo di altre cartucce delle batterie e di altri caricabatterie potrebbe causare lesioni personali e/o un incendio.

Utilizzo previsto

Questo utensile è destinato al taglio di lastre, raccordi, tubi, piastrelle o pareti in metallo, plastica, ceramica, intonaco e materiali compositi simili senza l'utilizzo di acqua.

Rumore

Livello tipico di rumore pesato A determinato in base allo standard EN60745-2-22:

Livello di pressione sonora (L_{pA}): 88 dB (A)

Livello di potenza sonora (L_{wA}): 99 dB (A)

Incertezza (K): 3 dB (A)

NOTA: Il valore o i valori dichiarati delle emissioni di rumori sono stati misurati in conformità a un metodo standard di verifica, e possono essere utilizzati per confrontare un utensile con un altro.

NOTA: Il valore o i valori dichiarati delle emissioni di rumori possono venire utilizzati anche per una valutazione preliminare dell'esposizione.

⚠AVVERTIMENTO: Indossare protezioni per le orecchie.

⚠AVVERTIMENTO: L'emissione di rumori durante l'utilizzo effettivo dell'utensile elettrico può variare rispetto al valore o ai valori dichiarati, a seconda dei modi in cui viene utilizzato l'utensile e specialmente a seconda di che tipo di pezzo venga lavorato.

⚠AVVERTIMENTO: Accertarsi di identificare misure di sicurezza per la protezione dell'operatore che siano basate su una stima dell'esposizione nelle condizioni effettive di utilizzo (tenendo conto di tutte le parti del ciclo operativo, ad esempio del numero di spegnimenti dell'utensile e di quando giri a vuoto, oltre al tempo di attivazione).

Vibrazioni

Valore totale delle vibrazioni (somma vettoriale triassiale) determinato in base allo standard EN60745-2-22: Modalità di lavoro: taglio di calcestruzzo (spessore 5 mm)

Emissione di vibrazioni (a_h): 3,0 m/s²

Incertezza (K): 1,5 m/s²

NOTA: Il valore o i valori complessivi delle vibrazioni dichiarati sono stati misurati in conformità a un metodo standard di verifica, e possono essere utilizzati per confrontare un utensile con un altro.

NOTA: Il valore o i valori complessivi delle vibrazioni dichiarati possono venire utilizzati anche per una valutazione preliminare dell'esposizione.

⚠AVVERTIMENTO: L'emissione delle vibrazioni durante l'utilizzo effettivo dell'utensile elettrico può variare rispetto al valore o ai valori dichiarati, a seconda dei modi in cui viene utilizzato l'utensile, specialmente a seconda di che tipo di pezzo venga lavorato.

⚠AVVERTIMENTO: Accertarsi di identificare misure di sicurezza per la protezione dell'operatore che siano basate su una stima dell'esposizione nelle condizioni effettive di utilizzo (tenendo conto di tutte le parti del ciclo operativo, ad esempio del numero di spegnimenti dell'utensile e di quando giri a vuoto, oltre al tempo di attivazione).

Dichiarazioni di conformità

Solo per i paesi europei

Le Dichiarazioni di conformità sono incluse nell'Allegato A al presente manuale d'uso.

AVVERTENZE DI SICUREZZA

Avvertenze generali relative alla sicurezza dell'utensile elettrico

⚠AVVERTIMENTO Leggere tutte le avvertenze di sicurezza, le istruzioni, le illustrazioni e i dati tecnici forniti insieme a questo utensile elettrico. La mancata osservanza di tutte le istruzioni seguenti potrebbe risultare in scosse elettriche, incendi e/o gravi lesioni personali.

Conservare tutte le avvertenze e le istruzioni come riferimento futuro.

Il termine "utensile elettrico" nelle avvertenze si riferisce sia all'utensile elettrico (cablato) nel funzionamento alimentato da rete elettrica che all'utensile elettrico (a batteria) nel funzionamento alimentato a batteria.

Avvertenza di sicurezza relative alla troncatrice compatta

1. La protezione fornita con l'utensile deve essere fissata saldamente all'utensile elettrico ed essere posizionata per la massima sicurezza, in modo da esporre la minima parte del disco verso l'operatore. Posizionare se stessi e gli astanti lontano dal piano del disco in rotazione. La protezione aiuta a proteggere l'operatore dai frammenti di dischi rotti e dal contatto accidentale con il disco.

2. **Per l'utensile elettrico, utilizzare esclusivamente mole a disco rinforzate a legante o diamantate.** La possibilità di montare un accessorio sull'utensile elettrico non ne garantisce il funzionamento in sicurezza.
3. **La velocità nominale dell'accessorio deve essere almeno pari alla velocità massima indicata sull'utensile elettrico.** Gli accessori che girano più velocemente della loro velocità nominale possono spaccarsi, e i frammenti possono venire scagliati via.
4. **I dischi devono essere utilizzati esclusivamente per le applicazioni consigliate. Ad esempio: non smerigliare con il fianco della mola a disco.** Le mole a disco abrasive sono progettate per la smerigliatura periferica, e le forze laterali applicate a questi dischi potrebbero causarne la frantumazione.
5. **Utilizzare sempre flange dei dischi non danneggiate con il diametro corretto per il disco selezionato.** Flange dei dischi corrette supportano i dischi, riducendo pertanto la possibilità di rottura dei dischi.
6. **Non utilizzare dischi rinforzati usurati provenienti da utensili elettrici più grandi.** I dischi progettati per gli utensili elettrici più grandi non sono adatti alla velocità più elevata di un utensile più piccolo, e potrebbero scoppiare.
7. **Il diametro esterno e lo spessore dell'accessorio utilizzato devono rispettare la capacità nominale dell'utensile elettrico utilizzato.** Non è possibile proteggere o controllare in modo appropriato accessori di dimensioni errate.
8. **Le dimensioni dei fori per gli alberi di dischi e flange devono essere appropriate in rapporto a quella del mandrino dell'utensile elettrico.** I dischi e le flange con fori per gli alberi che non coincidano con le misure degli attacchi di montaggio dell'utensile elettrico funzionano in modo sbilanciato, vibrano eccessivamente e potrebbero causare la perdita di controllo.
9. **Non utilizzare dischi danneggiati. Prima di ciascun utilizzo, verificare l'eventuale presenza di scheggiature o spaccature sui dischi. Qualora l'utensile elettrico o il disco venga fatto cadere, verificare l'eventuale presenza di danni o installare un disco non danneggiato. Dopo aver ispezionato e installato il disco, posizionare se stessi e gli astanti lontano dal piano di rotazione del disco, quindi far funzionare l'utensile elettrico alla massima velocità a vuoto per un minuto.** I dischi danneggiati in genere si rompono, durante questo periodo di prova.
10. **Indossare un'attrezzatura di protezione personale. Indossare sempre protezioni per l'udito. A seconda dell'applicazione, utilizzare una visiera, occhiali o occhiali di sicurezza. A seconda delle esigenze, indossare una mascherina antipolvere, guanti e un grembiule da officina in grado di arrestare piccoli frammenti abrasivi o del pezzo in lavorazione.** La protezione per gli occhi deve essere in grado di arrestare detriti volanti generati da svariate operazioni. La mascherina antipolvere o il respiratore devono essere in grado di filtrare le particelle generate dall'operazione. L'esposizione prolungata al rumore ad alta intensità potrebbe causare la perdita dell'udito.

11. **Tenere gli astanti a distanza di sicurezza dall'area di lavoro. Chiunque entri nell'area di lavoro deve indossare l'attrezzatura di protezione personale.** I frammenti del pezzo in lavorazione o di un disco rotto potrebbero venire scagliati via e causare lesioni personali a una distanza superiore alle immediate vicinanze dell'operazione in corso.
12. **Mantenere l'utensile elettrico solo per le superfici di impugnatura isolate quando si esegue un'operazione in cui l'accessorio da taglio potrebbe entrare in contatto con fili elettrici nascosti.** Un accessorio da taglio che entri in contatto con un filo elettrico sotto tensione potrebbe mettere sotto tensione le parti metalliche esposte dell'utensile elettrico e dare una scossa elettrica all'operatore.
13. **Non appoggiare mai l'utensile elettrico finché l'accessorio non si è arrestato completamente.** Il disco in rotazione potrebbe far presa sulla superficie di appoggio e tirare l'utensile elettrico facendone perdere il controllo all'operatore.
14. **Non far funzionare l'utensile elettrico mentre lo si trasporta sul proprio fianco.** Un contatto accidentale con l'accessorio in rotazione potrebbe far impigliare gli indumenti, tirando l'accessorio contro il corpo dell'operatore.
15. **Pulire regolarmente le aperture di ventilazione dell'utensile elettrico.** La ventola del motore attira le polveri all'interno dell'alloggiamento, e l'accumulo eccessivo di polvere metallica potrebbe causare pericoli di natura elettrica.
16. **Non far funzionare l'utensile elettrico in prossimità di materiali infiammabili.** Le scintille potrebbero dare fuoco a tali materiali.
17. **Non utilizzare accessori che richiedano refrigeranti liquidi.** L'impiego di acqua o di altri refrigeranti liquidi potrebbe causare la folgorazione o scosse elettriche.

Contraccollo e relative avvertenze

Il contraccollo è una reazione improvvisa a un disco in rotazione che resti incastrato o impigliato. Un disco in rotazione che resti incastrato o impigliato subisce un rapido stallo che, a sua volta, spinge l'utensile elettrico fuori controllo nella direzione opposta alla rotazione del disco nel punto di inceppamento.

Ad esempio, qualora un disco abrasivo resti incastrato o impigliato nel pezzo in lavorazione, il filo del disco che entra nel punto di inceppamento può scavare nella superficie del materiale, causando la fuoriuscita o il contraccollo del disco verso l'esterno. Il disco potrebbe saltare verso l'operatore o lontano da quest'ultimo, a seconda della direzione del movimento del disco nel punto in cui si è incastrato. In queste condizioni, i dischi abrasivi potrebbero anche rompersi.

Il contraccollo è il risultato dell'uso improprio dell'utensile elettrico e/o di procedure o condizioni operative errate, e può essere evitato adottando le precauzioni appropriate indicate di seguito.

1. **Mantenere una salda presa sull'utensile elettrico e posizionare il corpo e il braccio in modo da poter resistere alle forze dei contraccolpi.** Per il massimo controllo dei contraccolpi o di reazioni di coppia durante l'avvio, utilizzare sempre la maniglia ausiliaria, se in dotazione. L'operatore può controllare le reazioni di coppia o le forze dei contraccolpi, se adotta le precauzioni appropriate.

2. **Non posizionare mai le mani in prossimità dell'accessorio in rotazione.** L'accessorio potrebbe saltare all'indietro sulla mano per un contraccollo.
3. **Non posizionare il corpo in linea con il disco che gira.** Un contraccollo potrebbe lanciare l'utensile nella direzione opposta al movimento del disco sul punto in cui si è impigliato.
4. **Fare particolarmente attenzione quando si intende lavorare su angoli, bordi acuti, e così via.** Evitare che l'accessorio rimbalzi o resti impigliato. Gli angoli, i bordi acuti o i rimbalzi tendono a far impigliare l'accessorio in rotazione e a causare la perdita di controllo o il contraccollo.
5. **Non montare catene per seghe, lame da taglio per legno, dischi diamantati a settori con distanza periferica tra i settori superiore a 10 mm o lame dentate.** Queste lame causano frequenti contraccolpi e perdite di controllo.
6. **Non spingere forzatamente il disco o applicare una pressione eccessiva. Non tentare di realizzare tagli eccessivamente profondi.** La sollecitazione eccessiva del disco incrementa il carico e la suscettibilità alla torsione o all'inceppamento del disco nel taglio, nonché la possibilità di contraccolpi o di rottura del disco.
7. **Quando il disco si sta inceppando o quando si intende interrompere il taglio per un qualsiasi motivo, spegnere l'utensile elettrico e mantenerlo immobile fino all'arresto completo del disco. Non tentare mai di rimuovere il disco dal taglio mentre è in movimento; in caso contrario, si potrebbe verificare un contraccollo.** Investigare e adottare misure correttive per eliminare la causa dell'inceppamento del disco.
8. **Non riavviare l'operazione di taglio all'interno del pezzo in lavorazione.** Lasciare che il disco raggiunga la piena velocità e rientrare con attenzione nel taglio. Qualora si riavvii l'utensile elettrico all'interno del pezzo in lavorazione, il disco potrebbe incepparsi, rialzarsi o dare un contraccollo.
9. **Supportare i pannelli o qualsiasi pezzo in lavorazione di grandi dimensioni, per ridurre al minimo il rischio che il disco resti incastrato o causi contraccolpi.** I pezzi in lavorazione di grandi dimensioni tendono a curvarsi sotto il proprio peso. I supporti devono essere piazzati sotto il pezzo in lavorazione, vicini alla linea di taglio e in prossimità del bordo del pezzo in lavorazione, da entrambi i lati del disco.
10. **Fare particolarmente attenzione quando si esegue un taglio di cavità su pareti esistenti o altre aree cieche.** Il disco che sporge potrebbe tagliare tubi del gas o dell'acqua, cavi elettrici o oggetti che potrebbero causare contraccolpi.
11. **Prima di utilizzare un disco diamantato a settori, accertarsi che il disco diamantato abbia una distanza periferica tra i settori non superiore a 10 mm, solo con angolo di spoglia negativo.**

Avvertenze supplementari per la sicurezza:

1. **Non tentare mai di tagliare tenendo l'utensile capovolto serrato in una morsa.** Questa procedura può causare gravi incidenti, in quanto è estremamente pericolosa.

2. Accertarsi che il pezzo in lavorazione sia supportato correttamente.
3. Alcuni materiali contengono sostanze chimiche che potrebbero essere tossiche. Adottare precauzioni onde evitare l'inalazione e il contatto con la pelle delle polveri. Attenersi ai dati relativi alla sicurezza del fornitore del materiale.
4. Riporre i dischi attenendosi ai consigli del produttore. La conservazione errata potrebbe danneggiare i dischi.
8. **Non inchiodare, tagliare, schiacciare, lanciare o far cadere la cartuccia della batteria, né farla urtare con forza contro un oggetto duro.** Questi comportamenti potrebbero risultare in un incendio, calore eccessivo o un'esplosione.
9. **Non utilizzare una batteria danneggiata.**
10. **Le batterie a ioni di litio contenute sono soggette ai requisiti del regolamento sul trasporto di merci pericolose (Dangerous Goods Legislation).** Per trasporti commerciali, ad esempio da parte di terzi o spedizionieri, è necessario osservare dei requisiti speciali sull'imballaggio e sull'etichetta. Per la preparazione dell'articolo da spedire, è richiesta la consulenza di un esperto in materiali pericolosi. Attenersi anche alle normative nazionali, che potrebbero essere più dettagliate. Nastrare o coprire i contatti aperti e imballare la batteria in modo tale che non si possa muovere liberamente all'interno dell'imballaggio.

CONSERVARE LE PRESENTI ISTRUZIONI.

⚠AVVERTIMENTO: NON lasciare che comedità o la familiarità d'utilizzo con il prodotto (acquisita con l'uso ripetuto) sostituisca la stretta osservanza delle norme di sicurezza per il prodotto in questione. L'USO IMPROPRIO o la mancata osservanza delle norme di sicurezza indicate nel presente manuale di istruzioni potrebbero causare gravi lesioni personali.

Istruzioni di sicurezza importanti per la cartuccia della batteria

1. Prima di utilizzare la cartuccia della batteria, leggere tutte le istruzioni e le avvertenze riportate (1) sul caricabatteria, (2) sulla batteria e (3) sul prodotto che utilizza la batteria.
2. Non smantellare né manomettere la cartuccia della batteria. In caso contrario, si potrebbe causare un incendio, calore eccessivo o un'esplosione.
3. Qualora il tempo di utilizzo si riduca eccessivamente, interrompere immediatamente l'utilizzo dell'utensile. In caso contrario, si può incorrere nel rischio di surriscaldamento, possibili ustioni e persino un'esplosione.
4. Qualora l'elettrolita entri in contatto con gli occhi, sciacquarli con acqua pulita e richiedere immediatamente assistenza medica. Questa eventualità può risultare nella perdita della vista.
5. **Non cortocircuitare la cartuccia della batteria:**
 - (1) Non toccare i terminali con alcun materiale conduttivo.
 - (2) Evitare di conservare la cartuccia della batteria in un contenitore insieme ad altri oggetti metallici quali chiodi, monete, e così via.
 - (3) Non esporre la cartuccia della batteria all'acqua o alla pioggia.

Un cortocircuito della batteria può causare un grande flusso di corrente, un surriscaldamento, possibili ustioni e persino un guasto.
6. Non conservare e utilizzare l'utensile e la cartuccia della batteria in ubicazioni in cui la temperatura possa raggiungere o superare i 50°C.
7. Non incenerire la cartuccia della batteria anche qualora sia gravemente danneggiata o completamente esaurita. La cartuccia della batteria può esplodere se a contatto con il fuoco.
11. **Quando si intende smaltire la cartuccia della batteria, rimuoverla dall'utensile e smaltirla in un luogo sicuro.** Attenersi alle normative locali relative allo smaltimento della batteria.
12. **Utilizzare le batterie esclusivamente con i prodotti specificati da Makita.** L'installazione delle batterie in prodotti non compatibili potrebbe risultare in incendi, calore eccessivo, esplosioni o perdite di liquido elettrolitico.
13. **Se l'utensile non viene utilizzato per un periodo di tempo prolungato, la batteria deve essere rimossa dall'utensile.**
14. **Durante e dopo l'uso, la cartuccia della batteria potrebbe assorbire calore, che può causare ustioni o ustioni a bassa temperatura.** Fare attenzione a come si maneggiano le cartucce delle batterie estremamente calde.
15. **Non toccare i terminali dell'utensile subito dopo l'uso, in quanto potrebbero diventare estremamente caldi al punto da causare ustioni.**
16. **Evitare di far incastrare schegge, polveri o terreno nei terminali, nei fori e nelle scanalature della cartuccia della batteria.** In caso contrario, l'utensile o la cartuccia della batteria potrebbero riscaldarsi, prendere fuoco, scoppiare o guastarsi, causando ustioni o lesioni personali.
17. **A meno che l'utensile supporti l'uso in prossimità di linee elettriche ad alta tensione, non utilizzare la cartuccia della batteria in prossimità di linee elettriche ad alta tensione.** In caso contrario, si potrebbe causare un malfunzionamento o la rottura dell'utensile o della cartuccia della batteria.
18. **Tenere la batteria lontana dai bambini.**

CONSERVARE LE PRESENTI ISTRUZIONI.

⚠ATTENZIONE: Utilizzare solo batterie originali Makita. L'utilizzo di batterie Makita non originali, o di batterie che siano state alterate, potrebbe risultare nello scoppio della batteria, causando incendi, lesioni personali e danni. Inoltre, ciò potrebbe invalidare la garanzia Makita per l'utensile e il caricabatterie Makita.

Suggerimenti per preservare la durata massima della batteria

1. Caricare la cartuccia della batteria prima che si scarichi completamente. Smettere sempre di utilizzare l'utensile e caricare la cartuccia della batteria quando si nota che la potenza dell'utensile è diminuita.
2. Non ricaricare mai una cartuccia della batteria completamente carica. La sovraccarica riduce la vita utile della batteria.
3. Caricare la cartuccia della batteria a una temperatura ambiente compresa tra 10 °C e 40 °C. Lasciar raffreddare una cartuccia della batteria prima di caricarla.
4. Quando non si utilizza la cartuccia della batteria, rimuoverla dall'utensile o dal caricabatterie.
5. Caricare la cartuccia della batteria se non la si è utilizzata per un periodo di tempo prolungato (più di sei mesi).

DESCRIZIONE DELLE FUNZIONI

ATTENZIONE: Accertarsi sempre che l'utensile sia spento e che la cartuccia della batteria sia stata rimossa prima di regolare o di controllare il funzionamento dell'utensile.

Installazione o rimozione della cartuccia della batteria

ATTENZIONE: Spegnere sempre l'utensile prima di installare o rimuovere la cartuccia della batteria.

ATTENZIONE: Mantenere saldamente lo strumento e la batteria quando si intende installare o rimuovere la cartuccia della batteria. Qualora non si mantengano saldamente lo strumento e la cartuccia della batteria, questi ultimi potrebbero scivolare dalle mani, con la possibilità di causare un danneggiamento dello strumento e della cartuccia della batteria, nonché una lesione personale.

► Fig.1: 1. Indicatore rosso 2. Pulsante 3. Cartuccia della batteria

Per rimuovere la cartuccia della batteria, farla scorrere via dall'utensile mentre si fa scorrere allo stesso tempo il pulsante sulla parte anteriore della cartuccia.

Per installare la cartuccia della batteria, allineare la linguetta sulla cartuccia della batteria con la scanalatura nell'alloggiamento e farla scivolare in sede. Inserirli completamente fino al suo blocco in sede con un leggero scatto. Se è possibile vedere l'indicatore rosso, come indicato nella figura, non è bloccata completamente.

ATTENZIONE: Installare sempre fino in fondo la cartuccia della batteria, fino a quando l'indicatore rosso non è più visibile. In caso contrario, la batteria potrebbe cadere accidentalmente dall'utensile, causando lesioni personali all'operatore o a chi gli è vicino.

ATTENZIONE: Non installare forzatamente la cartuccia della batteria. Qualora la batteria non si inserisca scorrendo agevolmente, vuol dire che non viene inserita correttamente.

Indicazione della carica residua della batteria

Solo per cartucce delle batterie dotate di indicatore

► Fig.2: 1. Indicatori luminosi 2. Pulsante di controllo

Premere il pulsante di controllo sulla cartuccia della batteria per indicare la carica residua della batteria. Gli indicatori luminosi si illuminano per alcuni secondi.

Indicatori luminosi			Carica residua
■ Illuminato	□ Spento	▬ Lampeggiante	
■ ■ ■ ■			Dal 75% al 100%
■ ■ ■ □			Dal 50% al 75%
■ ■ □ □			Dal 25% al 50%
■ □ □ □			Dallo 0% al 25%
▬ □ □ □			Caricare la batteria.
■ ■ □ □			La batteria potrebbe essersi guastata.
□ □ ■ ■			

NOTA: A seconda delle condizioni d'uso e della temperatura ambiente, l'indicazione potrebbe variare leggermente rispetto alla carica effettiva.

NOTA: Il primo indicatore luminoso (all'estremità sinistra) lampeggia quando il sistema di protezione della batteria è in funzione.

Sistema di protezione strumento/batteria

Lo strumento è dotato di un sistema di protezione strumento/batteria. Questo sistema interrompe automaticamente l'alimentazione al motore, per prolungare la vita utile dello strumento e della batteria. L'utensile si arresta automaticamente durante il funzionamento, qualora l'utensile stesso o la batteria vengano a trovarsi in una delle condizioni seguenti: In alcune condizioni, gli indicatori si illuminano.

Protezione dal sovraccarico

Quando si utilizza l'utensile o la batteria in un modo tale da causare un assorbimento di corrente elevato in modo anomalo, l'utensile si arresta automaticamente e lampada di funzionamento lampeggia. In questa circostanza, spegnere l'utensile e interrompere l'applicazione che ha causato il sovraccarico dell'utensile. Quindi, accendere l'utensile per ricominciare.

Protezione dal surriscaldamento

Quando l'utensile o la batteria sono surriscaldati, l'utensile si arresta automaticamente e la lampada di funzionamento lampeggia. In questa circostanza, lasciar raffreddare l'utensile prima di riaccenderlo.

Protezione dalla sovrascarica

Quando la carica della batteria diventa bassa, l'utensile si arresta automaticamente. Qualora l'utensile non entri in funzione con l'azionamento dell'interruttore, rimuovere la batteria dall'utensile e caricarla.

Protezione da altre cause

Il sistema di protezione è progettato anche per altre cause che potrebbero danneggiare l'utensile, e consente all'utensile di arrestarsi automaticamente. Adottare tutte le misure seguenti per rimuovere le cause, quando l'utensile è stato portato a un'interruzione temporanea o a un arresto del funzionamento.

1. Spegner l'utensile, quindi riaccenderlo per ricominciare.
2. Caricare la batteria o le batterie, o sostituirla/sostituirla con una batteria o delle batterie ricaricate.
3. Lasciar raffreddare l'utensile e la batteria o le batterie.

Qualora non si riscontri alcun miglioramento riprobandone il sistema di protezione, contattare il proprio centro di assistenza locale Makita.

Funzionamento dell'interruttore

AVVERTIMENTO: Non utilizzare MAI l'utensile qualora si avvii semplicemente premendo l'interruttore a grilletto, senza premere il pulsante di sblocco. Un interruttore che necessita di riparazione potrebbe causare un funzionamento accidentale e gravi lesioni personali. Riportare l'utensile a un centro di assistenza Makita per le riparazioni necessarie PRIMA di utilizzarlo ulteriormente.

AVVERTIMENTO: Non rendere MAI inefficace il pulsante di sblocco fissandolo con del nastro adesivo o in altro modo. Un interruttore con un pulsante di sblocco reso inefficace potrebbe causare un funzionamento accidentale e gravi lesioni personali.

ATTENZIONE: Prima di inserire la cartuccia della batteria nell'utensile, controllare sempre che l'interruttore a grilletto funzioni correttamente e torni sulla posizione "OFF" quando viene rilasciato.

ATTENZIONE: Non premere con forza l'interruttore a grilletto senza far rientrare il pulsante di sblocco premendolo. In caso contrario, si potrebbe causare la rottura dell'interruttore.

ATTENZIONE: L'utensile inizia a frenare la rotazione del disco subito dopo il rilascio dell'interruttore a grilletto. Quando si intende rilasciare l'interruttore a grilletto, mantenere saldamente l'utensile per rispondere alla reazione del freno. Una reazione improvvisa può far cadere l'utensile dalle mani e può causare lesioni personali.

Per evitare di premere accidentalmente l'interruttore a grilletto, è fornito un pulsante di sblocco. Per avviare l'utensile, premere e tenere premuto il pulsante di sblocco, quindi premere l'interruttore a grilletto. Per arrestarlo, rilasciare l'interruttore a grilletto.

► Fig.3: 1. Interruttore a grilletto 2. Pulsante di sblocco

Scelta del disco

ATTENZIONE: La velocità nominale dell'accessorio deve essere almeno pari alla velocità massima indicata sull'utensile elettrico. Gli accessori che girano più velocemente della loro velocità nominale possono spaccarsi, e i frammenti possono venire scagliati via.

ATTENZIONE: Utilizzare i dischi solo per le applicazioni consigliate.

Selezionare uno dei tipi più appropriati di mole troncatrici in base alla propria applicazione.

Tipo di disco	Applicazioni pratiche
Mola a disco	Taglio di acciaio, acciaio inossidabile, metalli
Disco con graniglia in carburo di tungsteno	Taglio di materiali plastici, intonaco, materiali compositi
Disco diamantato	Taglio di piastrelle, ceramica

Direzione di rotazione del disco

ATTENZIONE: Controllare sempre la direzione di rotazione prima dell'uso.

ATTENZIONE: Utilizzare il commutatore di inversione della rotazione solo dopo l'arresto completo dell'utensile. Un cambio improvviso nella direzione di rotazione durante l'uso porta l'utensile a un brusco arresto, per motivi di sicurezza.

È possibile cambiare la rotazione del disco sia con direzione in avanti che all'indietro.

Per impostare la rotazione in avanti, far scorrere il commutatore di inversione della rotazione verso sinistra, fino a far apparire l'indicazione "F" sul commutatore. Per selezionare la rotazione all'indietro, far scorrere il commutatore di inversione della rotazione verso destra, fino a far apparire l'indicazione "R" sul commutatore.

► Fig.4: 1. Commutatore di inversione della rotazione

Schegge, detriti, scintille e particelle tagliate tendono a volare via lungo una direzione tangenziale rispetto alla rotazione del disco. Utilizzare la protezione disco in modo efficace per evitare l'esposizione continua nei confronti delle particelle troncate, in modo che sia possibile scaricare parte delle polveri e delle particelle del taglio in una direzione alternativa.

Una reazione a uno stallo rapido del disco in rotazione potrebbe scagliare l'utensile incontrollato nella direzione opposta alla rotazione del disco.

Rotazione in avanti

► Fig.5: 1. Particelle troncate 2. Reazioni

Rotazione all'indietro

► Fig.6: 1. Particelle troncate 2. Reazioni

Protezione disco

ATTENZIONE: Prima dell'uso, accertarsi che la protezione disco sia posizionata correttamente e saldamente dietro la mola troncatrice.

Fissare la protezione disco in una posizione comoda, per la massima sicurezza e l'esposizione minima a potenziali fattori di rischio, in base alle proprie condizioni di lavoro e preferenze.

Posizionamento in avanti

► Fig.7: 1. Protezione disco 2. Mola troncatrice

Posizionamento all'indietro

► Fig.8: 1. Protezione disco 2. Mola troncatrice

Blocco albero

Quando si intende installare o rimuovere una mola troncatrice, premere il blocco albero per impedire la rotazione del mandrino.

► Fig.9: 1. Blocco albero

AVVISO: Non utilizzare mai il blocco albero mentre il mandrino è in movimento. In caso contrario, si potrebbe danneggiare l'utensile.

Lampada di funzionamento

ATTENZIONE: Non osservare né guardare direttamente la fonte di luce.

Per accendere la lampada di funzionamento, tenere premuto il pulsante di sblocco e premere l'interruttore a grilletto.

La lampada si spegne circa 15 secondi dopo che si è rilasciato l'interruttore a grilletto.

► Fig.10: 1. Lampada di funzionamento

AVVISO: Qualora l'utensile venga fatto funzionare con un carico eccessivo, la lampada di funzionamento lampeggia. In questa situazione, rilasciare l'interruttore a grilletto, quindi ridurre il carico sull'utensile, prima di riprendere l'utilizzo.

AVVISO: Quando l'utensile è surriscaldato, la lampada di funzionamento lampeggia. In questo caso, rilasciare l'interruttore a grilletto, quindi far raffreddare l'utensile o la batteria, prima di riprendere l'utilizzo.

NOTA: Per pulire la sporcizia dalla lente della lampadina, utilizzare un panno asciutto. Fare attenzione a non graffiare la lente della lampadina, altrimenti si potrebbe ridurre l'illuminazione.

Regolazione della profondità di taglio

ATTENZIONE: Dopo aver regolato la profondità di taglio, serrare sempre saldamente la vite ad alette.

Con la copertura di raccolta polveri installata, è possibile effettuare regolazioni precise della profondità di taglio fino a 13,5 mm.

Allentare la vite ad alette sulla scala di profondità. Sollevare o abbassare il manico dell'utensile in posizione per allineare gli indicatori di profondità sulla copertura con la profondità di taglio desiderata sulla scala. Quindi, serrare la vite ad alette.

► Fig.11: 1. Vite ad alette 2. Scala di profondità 3. Indicatore di profondità

ATTENZIONE: Per tagli puliti e sicuri, impostare le profondità di taglio in modo che la mola troncatrice oltrepassi la superficie inferiore del pezzo in lavorazione di 2,0 mm o meno. L'impostazione di profondità di taglio corretta contribuisce a ridurre il rischio potenziale di pericolosi contraccolpi, che potrebbero causare lesioni personali.

Allineamento per eseguire tagli dritti

Con la copertura di raccolta polveri installata, è possibile eseguire in modo sicuro un'operazione di taglio dritto allineando la mola troncatrice verso la direzione di taglio prima dell'operazione effettiva di taglio.

Allineare la tacca guida nella base della copertura di raccolta polveri con la linea di taglio che si intende seguire sul pezzo in lavorazione.

► Fig.12: 1. Tacca guida 2. Base 3. Linea di taglio

Collegamento di un aspiratore

Accessorio opzionale

Quando si desidera effettuare un'operazione di taglio pulita, collegare un aspirapolvere Makita alla bocchetta per le polveri utilizzando un manicotto anteriore 22 (accessorio opzionale).

► Fig.13: 1. Manicotto anteriore 22 2. Bocchetta per le polveri 3. Tubo flessibile 4. Aspirapolvere

Funzione di prevenzione del riavvio accidentale

Quando si installa la cartuccia della batteria mentre si tiene premuto l'interruttore a grilletto, l'utensile non si avvia.

Per avviare l'utensile, rilasciare innanzitutto l'interruttore a grilletto. Premere e tenere premuto il pulsante di sblocco, quindi premere l'interruttore a grilletto.

Funzione elettronica

L'utensile è dotato di funzioni elettroniche, per un facile utilizzo.

- **Freno elettrico**
Questo utensile è dotato di un freno elettrico. Qualora l'utensile non riesca ripetutamente a cessare di funzionare rapidamente dopo il rilascio dell'interruttore a grilletto, far sottoporre a riparazione l'utensile presso un centro di assistenza Makita.
- **Controllo costante della velocità**
La funzione di controllo della velocità fornisce una velocità di rotazione costante, indipendentemente dalle condizioni di carico.
- **Tecnologia di rilevamento attivo della retroazione**
L'utensile rileva elettronicamente situazioni in cui la mola troncatrice potrebbero correre il rischio di incepparsi. In tale situazione, l'utensile viene spento automaticamente per evitare un'ulteriore rotazione del mandrino (non previene eventuali contraccolpi). Per riavviare l'utensile, innanzitutto spegnerlo, rimuovere la causa della riduzione improvvisa della velocità di rotazione, quindi riaccendere l'utensile.

MONTAGGIO

ATTENZIONE: Accertarsi sempre che l'utensile sia spento e che la cartuccia della batteria sia stata rimossa, prima di effettuare qualsiasi intervento sull'utensile.

Conservazione della chiave esagonale

Quando non si utilizza la chiave esagonale, riporla come mostrato nella figura per evitare di perderla.

► **Fig.14:** 1. Chiave esagonale

Rimozione e installazione della mola troncatrice

ATTENZIONE: Utilizzare esclusivamente la chiave esagonale Makita fornita in dotazione per rimuovere e installare una mola troncatrice.

ATTENZIONE: Quando si intende installare una mola troncatrice, accertarsi di serrare saldamente il bullone.

AVVISO: Quando si intende installare un disco diamantato, per prestazioni ottimali, accertarsi sempre che le frecce sul disco diamantato puntino nella stessa direzione della rotazione desiderata del disco.

Per rimuovere una mola troncatrice, premere a fondo il blocco albero, affinché la mola troncatrice non possa girare, quindi utilizzare la chiave esagonale per allentare il bullone esagonale in senso antiorario. Quindi, rimuovere il bullone esagonale, la flangia esterna e la mola troncatrice.

► **Fig.15:** 1. Blocco albero 2. Brugola 3. Bullone esagonale 4. Per allentare 5. Per serrare

AVVISO: Se la flangia interna è stata rimossa, applicarla di nuovo sul mandrino con la sua parte di montaggio del disco rivolta verso l'alto.

Per installare una mola troncatrice, seguire la procedura di rimozione al contrario.

► **Fig.16:** 1. Bullone esagonale 2. Flangia esterna 3. Mola troncatrice 4. Flangia interna 5. Mandrino

Installazione e rimozione della copertura di raccolta polveri

ATTENZIONE: Prima dell'uso, accertarsi che la protezione disco sia bloccata saldamente dal fermo all'interno della copertura di raccolta polveri.

ATTENZIONE: Evitare di utilizzare la copertura di raccolta polveri per lavori su metalli che generino calore e scintille volanti, poiché si potrebbero fondere i componenti in plastica della copertura di raccolta polveri.

La copertura di raccolta polveri consente di migliorare la sicurezza e l'efficienza dell'operazione di taglio, fornendo una protezione dal disco in rotazione, la stabilità del taglio, un controllo preciso sulla profondità di taglio e soluzioni di estrazione delle polveri, specialmente per tagli di piastrelle, intonaco e gres.

Installazione della copertura di raccolta polveri

1. Allentare le vite ad alette sulla scala di profondità della copertura di raccolta polveri. Sollevare completamente la copertura verso l'alto, quindi serrare la vite ad alette per fissare la copertura di raccolta polveri in una posizione sollevata.

► **Fig.17:** 1. Vite ad alette 2. Scala di profondità 3. Copertura di raccolta polveri

2. Disporre la protezione disco sull'utensile in una posizione rivolta in avanti.

► **Fig.18:** 1. Protezione disco

3. Sollevare leggermente il manico dell'utensile e inserire la metà anteriore della protezione disco, inclinandola, nella copertura di raccolta polveri, spingendo con forza verso il basso la parte inferiore della mola troncatrice attraverso la fessura per la mola presente nella base.

► **Fig.19:** 1. Protezione disco 2. Copertura di raccolta polveri 3. Mola troncatrice 4. Fessura nella base

4. Installare la metà posteriore della protezione disco nella copertura di raccolta polveri, abbassando al tempo stesso il manico dell'utensile da una posizione sollevata a una posizione bassa.

► **Fig.20:** 1. Protezione disco 2. Copertura di raccolta polveri

5. Sollevare di nuovo il manico dell'utensile per agganciare il bordo posteriore della protezione disco sul fermo all'interno della copertura di raccolta polveri.

► **Fig.21:** 1. Protezione disco 2. Fermo

6. Allentare le vite ad alette. Muovere ad arco l'utensile verso l'alto o verso il basso alla profondità di taglio desiderata. Quindi, serrare la vite ad alette per fissare in sede l'utensile.

Rimozione della copertura di raccolta polveri

1. Allentare la vite ad alette sulla scala di profondità della copertura di raccolta polveri. Sollevare completamente il manico dell'utensile verso l'alto, quindi serrare la vite ad alette per fissare la copertura di raccolta polveri in una posizione sollevata.

► **Fig.22:** 1. Vite ad alette 2. Scala di profondità
3. Copertura di raccolta polveri

2. Far scorrere la leva di sgancio verso la vite ad alette per sbloccare la protezione disco dal fermo all'interno della copertura di raccolta polveri.

► **Fig.23:** 1. Leva di sgancio 2. Vite ad alette
3. Protezione disco 4. Copertura di raccolta polveri 5. Fermo

3. Smontare la metà posteriore della protezione disco dalla copertura di raccolta polveri, abbassando al tempo stesso il manico dell'utensile da una posizione sollevata a una posizione bassa.

► **Fig.24:** 1. Protezione disco 2. Copertura di raccolta polveri

4. Tirare la metà anteriore della protezione disco a un'angolazione leggermente inclinata verso l'alto e verso l'esterno, separandola dalla copertura di raccolta polveri.

► **Fig.25:** 1. Protezione disco 2. Copertura di raccolta polveri

FUNZIONAMENTO

⚠ATTENZIONE: Mantenere sempre una salda presa sull'utensile durante l'uso.

⚠ATTENZIONE: Non forzare l'utensile. Qualora lo si forzi e si eserciti una pressione eccessiva, o si consenta al disco di piegarsi, restare incastrato o torcersi nel taglio, si potrebbero causare il surriscaldamento del motore e pericolosi contraccolpi dell'utensile.

⚠ATTENZIONE: Quando si intende tagliare materiali plastici, accertarsi di non far surriscaldare la mola troncatrice. In caso contrario, si potrebbe causare la fusione del pezzo in lavorazione.

⚠ATTENZIONE: Non sottoporre a colpi o urti la mola troncatrice durante l'avvio o durante l'uso.

⚠ATTENZIONE: Indossare sempre occhiali di sicurezza o una visiera durante l'uso.

⚠ATTENZIONE: Dopo l'uso, spegnere sempre l'utensile e attendere l'arresto completo della mola prima di appoggiare l'utensile.

Taglio verso il basso

AVVISO: Adottare la dovuta cautela nell'utilizzo di una superficie di taglio effettiva del disco, in modo da evitare l'esposizione verso le particelle tagliate.

AVVISO: Mantenere la posizione dritta della mola troncatrice nel pezzo in lavorazione ed evitare inclinazioni od oscillazioni dell'utensile durante l'uso.

Posizionare la protezione disco correttamente per fornire la massima protezione dalle scintille e da particelle libere scagliate via dalla mola troncatrice. Posizionare l'utensile sul pezzo in lavorazione evitando che la mola troncatrice entri in contatto con quest'ultimo. Accendere l'utensile e attendere che la mola troncatrice raggiunga la piena velocità. Quindi, abbassare lentamente l'utensile sulla superficie del pezzo in lavorazione, utilizzando un avanzamento moderato idoneo alle proprie applicazioni.

Rotazione in avanti

► **Fig.26**

Rotazione all'indietro

► **Fig.27**

Taglio dritto

⚠ATTENZIONE: Accertarsi che la mola troncatrice funzioni sempre con un movimento di molatura verso l'alto. In caso contrario, si potrebbe causare la spinta dell'utensile incontrollato fuori dal taglio.

AVVISO: Mantenere la linea di taglio dritta e applicare una pressione costante per ottenere un taglio uniforme attraverso il pezzo in lavorazione.

Appoggiare la piastra di base della copertura di raccolta polveri sul pezzo in lavorazione da tagliare, senza far entrare in contatto la mola troncatrice con quest'ultimo. Accendere l'utensile e attendere che la mola troncatrice raggiunga la piena velocità. Quindi, spostare lentamente l'utensile sulla superficie del pezzo in lavorazione, mantenendolo in piano e procedendo in modo uniforme fino al completamento del taglio. Selezionare la rotazione all'indietro per tagliare spingendo, e la rotazione in avanti per tagliare tirando.

Taglio spingendo con rotazione all'indietro

► **Fig.28**

Taglio tirando con rotazione in avanti

► **Fig.29**

NOTA: Tenere presente che la copertura di raccolta polveri tende a funzionare con minore efficacia quando si taglia tirando, poiché alcune particelle tagliate si diffondono all'interno della copertura in opposizione al flusso di estrazione delle polveri.

MANUTENZIONE

⚠ATTENZIONE: Accertarsi sempre che l'utensile sia spento e che la cartuccia della batteria sia stata rimossa prima di tentare di eseguire interventi di ispezione o manutenzione.

AVVISO: Non utilizzare mai benzina, benzene, solventi, alcol o altre sostanze simili. In caso contrario, si potrebbero causare scolorimenti, deformazioni o crepe.

Per preservare la SICUREZZA e l'AFFIDABILITÀ del prodotto, le riparazioni e qualsiasi altro intervento di manutenzione e di regolazione devono essere eseguiti da un centro di assistenza autorizzato Makita, utilizzando sempre ricambi Makita.

Levigatura del disco diamantato

Qualora l'efficacia di taglio del disco diamantato inizi a ridursi, utilizzare una vecchia mola a grana grossa da buttare per smerigliatrice da banco, oppure un blocco di calcestruzzo, per levigare il disco diamantato. Per effettuare questa operazione, fissare saldamente la mola per smerigliatrice da banco o il blocco di calcestruzzo, quindi praticarvi dei tagli in profondità.

Dopo l'uso

Pulire le polveri all'interno dell'utensile facendolo funzionare a vuoto per un po' di tempo. L'accumulo delle polveri nel motore potrebbe causare un malfunzionamento dell'utensile.

Pulizia della protezione disco e della copertura di raccolta polveri

Pulire l'interno della protezione disco e della copertura di raccolta polveri a intervalli regolari. Soffiare via o pulire con un panno eventuale sporco o polveri accumulati all'interno.

► **Fig.30:** 1. Protezione disco 2. Copertura di raccolta polveri

Pulizia delle aperture di ventilazione

Pulire le prese d'aria dell'utensile a intervalli regolari, per una circolazione uniforme dell'aria. Rimuovere la protezione antipolvere dall'apertura di aspirazione e pulirla ogni volta che diventa sporca e intasata.

► **Fig.31:** 1. Protezione antipolvere 2. Apertura di aspirazione

ACCESSORI OPZIONALI

⚠ATTENZIONE: Questi accessori o componenti aggiuntivi sono consigliati per l'uso con l'utensile Makita specificato nel presente manuale. L'impiego di altri accessori o componenti aggiuntivi può costituire un rischio di lesioni alle persone. Utilizzare gli accessori o i componenti aggiuntivi solo per il loro scopo prefissato.

Per ottenere ulteriori dettagli relativamente a questi accessori, rivolgersi a un centro di assistenza Makita.

- Mola a disco
- Disco diamantato
- Disco con graniglia in carburo di tungsteno
- Brugola
- Batteria e caricabatterie originali Makita

NOTA: Alcuni articoli nell'elenco potrebbero essere inclusi nell'imballaggio dell'utensile come accessori standard. Tali articoli potrebbero variare da nazione a nazione.

TECHNISCHE GEGEVENS

Model:		DMC300
Buitendiameter van schijf		76 mm
Binnendiameter (asgat) van schijf		10,0 mm / 9,5 mm (3/8") (afhankelijk van het land)
Max. schijfdikte		1,0 mm
Max. slijpdikte	Met stofopvangkap	13,5 mm
	Zonder stofopvangkap	16,0 mm
Nominaal toerental (n) / Onbelast toerental (n ₀)		20.000 min ⁻¹
Totale lengte		271 mm *1
Nominale spanning		Gelijkstroom 18 V
Nettogewicht		1,2 - 1,7 kg

*1. Met accu (BL1860B) / zonder stofopvangkap

- In verband met ononderbroken research en ontwikkeling, behouden wij ons het recht voor de bovenstaande technische gegevens zonder voorafgaande kennisgeving te wijzigen.
- De technische gegevens van de accu kunnen van land tot land verschillen.
- Het gewicht kan verschillen afhankelijk van de hulpstukken, waaronder de accu. De lichtste en zwaarste combinatie, overeenkomstig de EPTA-procedure 01/2014, worden getoond in de tabel.

Toepasselijke accu's en laders

Accu	BL1815N / BL1820B / BL1830B / BL1840B / BL1850B / BL1860B
Lader	DC18RC / DC18RD / DC18RE / DC18SD / DC18SE / DC18SF / DC18SH / DC18WC

- Sommige van de hierboven vermelde accu's en laders zijn mogelijk niet leverbaar afhankelijk van waar u woont.

⚠️ WAARSCHUWING: Gebruik uitsluitend de accu's en laders die hierboven worden genoemd. Gebruik van enige andere accu of lader kan leiden tot letsel en/of brand.

Gebruiksdoelinden

Het gereedschap is bedoeld voor het doorslijpen van een plaat, koppeling, pijp, tegel of muur van metaal, kunststof, keramiek, gips en soortgelijke composietmaterialen zonder gebruikmaking van water.

Geluidsniveau

De typische, A-gewogen geluidsniveaus zijn gemeten volgens EN60745-2-22:

Geluidsdrukniveau (L_{pA}): 88 dB (A)

Geluidsvermogeniveau (L_{WA}): 99 dB (A)

Onzekerheid (K): 3 dB (A)

OPMERKING: De opgegeven geluidsemisiewaarde(n) is/zijn gemeten volgens een standaardtestmethode en kan/kunnen worden gebruikt om dit gereedschap te vergelijken met andere gereedschappen.

OPMERKING: De opgegeven geluidsemisiewaarde(n) kan/kunnen ook worden gebruikt voor een beoordeling vooraf van de blootstelling.

⚠️ WAARSCHUWING: Draag gehoorbescherming.

⚠️ WAARSCHUWING: De geluidsemisatie tijdens het gebruik van het elektrisch gereedschap in de praktijk kan verschillen van de opgegeven waarde(n) afhankelijk van de manier waarop het gereedschap wordt gebruikt, met name van het soort werkstuk waarmee wordt gewerkt.

⚠️ WAARSCHUWING: Zorg ervoor dat veiligheidsmaatregelen worden getroffen ter bescherming van de gebruiker die zijn gebaseerd op een schatting van de blootstelling onder praktijkomstandigheden (rekening houdend met alle fasen van de bedrijfscyclus, zoals de tijdsduur gedurende welke het gereedschap is uitgeschakeld en stationair draait, naast de ingeschakelde tijdsduur).

Trilling

De totale trillingswaarde (triaxiale vectorsom) zoals vastgesteld volgens EN60745-2-22:
Gebruikstoepassing: doorslijpen van beton (dikte 5 mm)
Trillingsemisatie (a_h): 3,0 m/s²
Onzekerheid (K): 1,5 m/s²

OPMERKING: De totale trillingswaarde(n) is/zijn gemeten volgens een standaardtestmethode en kan/kunnen worden gebruikt om dit gereedschap te vergelijken met andere gereedschappen.

OPMERKING: De opgegeven totale trillingswaarde(n) kan/kunnen ook worden gebruikt voor een beoordeling vooraf van de blootstelling.

⚠️WAARSCHUWING: De trillingsemissie tijdens het gebruik van het elektrisch gereedschap in de praktijk kan verschillen van de opgegeven waarde(n) afhankelijk van de manier waarop het gereedschap wordt gebruikt, met name van het soort werkstuk waarmee wordt gewerkt.

⚠️WAARSCHUWING: Zorg ervoor dat veiligheidsmaatregelen worden getroffen ter bescherming van de gebruiker die zijn gebaseerd op een schatting van de blootstelling onder praktijkomstandigheden (rekening houdend met alle fasen van de bedrijfscyclus, zoals de tijdsduur gedurende welke het gereedschap is uitgeschakeld en stationair draait, naast de ingeschakelde tijdsduur).

Verklaringen van conformiteit

Alleen voor Europese landen

De verklaringen van conformiteit zijn bijgevoegd in Bijlage A bij deze gebruiksaanwijzing.

VEILIGHEIDSWAARSCHUWINGEN

Algemene veiligheidswaarschuwingen voor elektrisch gereedschap

⚠️WAARSCHUWING Lees alle veiligheidswaarschuwingen, instructies, afbeeldingen en technische gegevens die bij dit elektrisch gereedschap worden geleverd. Als niet alle onderstaande instructies worden opgevolgd, kan dat leiden tot een elektrische schok, brand en/of ernstig letsel.

Bewaar alle waarschuwingen en instructies om in de toekomst te kunnen raadplegen.

De term "elektrisch gereedschap" in de veiligheidsvoorschriften duidt op gereedschappen die op stroom van het lichtnet werken (met snoer) of gereedschappen met een accu (snoerloos).

Veiligheidswaarschuwingen voor een compacte accudoorslijpmachine

1. **Monteer de beschermbeugel die bij het gereedschap is geleverd vooral stevig aan het elektrisch gereedschap en stel de beugel voor optimale veiligheid zodanig af dat een zo klein mogelijk deel van de schijf vrij blijft naar de gebruiker toe. Zorg dat u zelf en omstanders buiten het rotatievlak van de ronddraaiende schijf blijven.** De beschermbeugel dient om de gebruiker te beschermen tegen aanraking met de schijf en eventuele rondvliegende fragmenten daarvan.
2. **Gebruik uitsluitend gelijmde, versterkte doorslijpschijven of diamantschijven voor uw elektrische gereedschap.** Ook wanneer het accessoire kan worden bevestigd op uw elektrische gereedschap, is een veilige werking niet gegarandeerd.
3. **Het nominale toerental van het accessoire moet minstens gelijk zijn aan het maximumtoerental vermeld op het elektrisch gereedschap.** Accessoire's die met een hoger toerental draaien dan hun nominaal toerental kunnen stuk breken en in het rond vliegen.
4. **De schijven mogen uitsluitend worden gebruikt voor de aanbevolen toepassingen.** Bijvoorbeeld, probeer niet te slijpen met de platte kant van de doorslijpschijf. Doorslijpschijven zijn ontworpen voor het slijpen met de rand van de schijf; zijwaartse druk kan de schijf in stukken doen breken.
5. **Gebruik altijd onbeschadigde schijfflenzen van de juiste diameter voor de te gebruiken schijf.** Een goede schijfflens ondersteunt de schijf en verkleint daarmee de kans op het breken van de schijf.
6. **Gebruik geen deels afgesleten, versterkte schijven bedoeld voor grotere elektrische gereedschappen.** Schijven die zijn bedoeld voor een groter elektrisch gereedschap zijn niet geschikt voor de hogere toerentalen van een kleiner elektrisch gereedschap en kunnen in stukken breken.
7. **De buitendiameter en de dikte van het accessoire moet binnen het capaciteitsbereik van het elektrisch gereedschap vallen.** Accessoires met verkeerde afmetingen kunnen niet afdoende worden afgeschermd of beheerst.
8. **De asdiameter van schijven en flenzen moeten goed passen rond de as van het elektrisch gereedschap.** Schijven en flenzen met een asdiameter die niet overeenkomt met de bevestigingshardware van het elektrisch gereedschap zullen niet in balans draaien en buitensporig trillen, en kunnen tot verlies van controle over het gereedschap leiden.
9. **Gebruik nooit beschadigde schijven.** Inspecteer vóór ieder gebruik de schijven op ontbrekende schijfers en barsten. Nadat het elektrisch gereedschap of de schijf is gevallen, inspecteer u het op schade of monteert u een onbeschadigde schijf. Na inspectie en montage van de schijf, zorgt u ervoor dat u en omstanders niet in het rotatievlak van de schijf staan, en laat u het elektrisch gereedschap draaien op het maximaal, onbelast toerental gedurende één minuut. Beschadigde schijven breken normaal gesproken in stukken gedurende deze testduur.

10. **Gebruik persoonlijke-beschermingsmiddelen. Draag altijd gehoorbescherming. Afhankelijk van de toepassing gebruikt u een spatscherm, een beschermende bril of een veiligheidsbril. Al naar gelang van toepassing draagt u een stofmasker, handschoenen en een werkschort die bestand zijn tegen kleine stukjes slijpsel of werkstukfragmenten.** De oogbescherming moet in staat zijn rondvliegend afval te stoppen dat ontstaat tijdens de diverse werkzaamheden. Het stofmasker of ademhalingsapparaat moet in staat zijn deeltjes uit de lucht te filteren die ontstaan tijdens de werkzaamheden. Langdurige blootstelling aan hard lawaai kan uw gehoor aantasten.
11. **Houd omstanders op veilige afstand van het werkgebied. Iedereen die zich binnen het werkgebied begeeft, moet persoonlijke-beschermingsmiddelen gebruiken.** Fragmenten van het werkstuk of van een uiteengevallen schijf kunnen rondvliegen en letsel veroorzaken buiten de onmiddellijke werkomgeving.
12. **Houd het elektrisch gereedschap uitsluitend vast aan het geïsoleerde oppervlak van de handgrepen wanneer u werkt op plaatsen waar het slijpaccessoire met verborgen bedrading in aanraking kan komen.** Wanneer het slijpaccessoire in aanraking komt met onder spanning staande draden, zullen de niet-geïsoleerde metalen delen van het gereedschap onder spanning komen te staan zodat de gebruiker een elektrische schok kan krijgen.
13. **Leg het elektrisch gereedschap nooit neer voordat het accessoire volledig tot stilstand is gekomen.** De ronddraaiende schijf kan de ondergrond pakken zodat u de controle over het elektrisch gereedschap verliest.
14. **Laat het elektrisch gereedschap niet draaien terwijl u het naast u draagt.** Als het ronddraaiende accessoire u per ongeluk raakt, kan het verstrikt raken in uw kleding waardoor het accessoire in uw lichaam wordt getrokken.
15. **Maak de ventilatieopeningen van het elektrisch gereedschap regelmatig schoon.** De ventilator van de motor zal het stof de behuizing in trekken, en een grote opeenhoping van metaalslijpsel kan leiden tot elektrisch gevaarlijke situaties.
16. **Gebruik het elektrisch gereedschap niet in de buurt van brandbare materialen.** Vonken kunnen deze materialen doen ontvlammen.
17. **Gebruik geen accessoires die met vloeistof moeten worden gekoeld.** Het gebruik van water of andere vloeibare koelmiddelen kan leiden tot elektrocutie of elektrische schokken.

Terugslag en aanverwante waarschuwingen

Terugslag is een plotselinge reactie op een beknelde of vastgelopen draaiende schijf. Beknellen of vastlopen veroorzaakt een snelle stilstand van de draaiende schijf dat op zijn beurt ertoe leidt dat het elektrisch gereedschap zich ongecontroleerd beweegt in de tegenovergestelde richting van de draairichting van de schijf op het moment van vastlopen. Bijvoorbeeld, als een slijpschijf bekneld raakt of vastloopt in het werkstuk, kan de rand van de schijf die het beknellingspunt ingaat, zich invreten in het oppervlak van het materiaal waardoor de schijf eruit klimt of eruit slaat. De schijf kan daarbij naar de gebruiker toe of weg springen, afhankelijk van de draairichting van de schijf op het beknellingspunt. Slijpschijven kunnen in dergelijke situaties ook breken. Terugslag is het gevolg van misbruik van het elektrisch gereedschap en/of onjuiste gebruiksprocedures of omstandigheden, en kan worden voorkomen door goede voorzorgsmaatregelen te treffen, zoals hieronder vermeld.

1. **Houd het elektrisch gereedschap stevig vast en houd uw armen en lichaam zodanig dat u in staat bent een terugslag op te vangen.** Gebruik altijd de extra handgreep (indien aanwezig) voor een maximale controle over het gereedschap in geval van terugslag en de koppelreactiekrachten bij het starten. De gebruiker kan een terugslag of de koppelreactie opvangen indien de juiste voorzorgsmaatregelen worden getroffen.
2. **Plaats uw hand nooit in de buurt van het draaiende accessoire.** Het accessoire kan terugslaan over uw hand.
3. **Zorg dat uw lichaam buiten het rotatievlak van de draaiende schijf blijft.** Een terugslag zal het gereedschap bewegen in de tegenovergestelde richting van de draairichting van de schijf op het moment van beknellen.
4. **Wees bijzonder voorzichtig bij het werken met hoeken, scherpe randen, enz. Voorkom dat het accessoire springt of bekneld raakt.** Hoeken, scherpe randen of springen veroorzaken vaak beknellen van het draaiende accessoire wat leidt tot terugslag of verlies van controle over het gereedschap.
5. **Bevestig geen zaagketting, houtsnijblad of gesegmenteerde diamantschijf met randopeningen van meer dan 10 mm, of een getand zaagblad.** Dergelijke bladen leiden vaak tot terugslag of verlies van controle over het gereedschap.
6. **Laat de schijf niet vastlopen en oefen geen buitensporige druk uit. Probeer niet een buitensporig diepe snede te slijpen.** Een te grote kracht op de schijf verhoogt de belasting en de kans dat de schijf in de snede verdraait of vastloopt, waardoor terugslag kan optreden of de schijf kan breken.
7. **Wanneer de schijf vastloopt of u het slijpen onderbreekt, schakelt u het elektrisch gereedschap uit en houdt u dit stil totdat de schijf volledig tot stilstand is gekomen. Probeer nooit de schijf uit de snede te halen terwijl de schijf nog draait omdat hierdoor een terugslag kan optreden.** Onderzoek waarom de schijf is vastgelopen en tref afdoende maatregelen om de oorzaak ervan op te heffen.
8. **Begin niet met slijpen terwijl de schijf al in het werkstuk steekt. Wacht totdat de schijf op volle toeren draait en breng daarna de schijf voorzichtig terug in de snede.** Wanneer het elektrisch gereedschap opnieuw wordt gestart terwijl de schijf al in het werkstuk steekt, kan de schijf vastlopen, omhoog lopen of terugslaan.
9. **Ondersteun platen en grote werkstukken om de kans op het beknellen van de schijf en terugslag te minimaliseren.** Grote werkstukken neigen door te zakken onder hun eigen gewicht. U moet het werkstuk ondersteunen vlakbij de slijplijn en vlakbij de rand van het werkstuk aan beide kanten van de schijf.
10. **Wees extra voorzichtig wanneer u een invalsnede maakt in een bestaande wand of op een andere plaats waarvan u de onderkant niet kunt zien.** De uitstekende schijf kan gas- of waterleidingen, elektrische bedrading of voorwerpen die terugslag veroorzaken raken.

11. Voordat u een gesegmenteerde diamantschijf gebruikt, controleert u dat de diamantschijf randopeningen van 10 mm of minder tussen de segmenten heeft, met alleen een negatieve hellingshoek.
- Aanvullende veiligheidswaarschuwingen:**
1. **Probeer in geen geval materialen door te slijpen met het gereedschap ondersteboven vastgezet in een bankschroef.** Dat is bijzonder gevaarlijk en kan ernstige ongelukken veroorzaken.
 2. **Controleer of het werkstuk goed wordt ondersteund.**
 3. **Bepaalde materialen kunnen giftige chemicaliën bevatten. Let op dat u geen stof inademt en zorg dat er niets op uw huid komt. Volg de veiligheidsinstructies van de leverancier van de materialen.**
 4. **Berg de schijven zorgvuldig op volgens de aanbevelingen van de fabrikant.** Onjuiste opslag kan de schijven beschadigen.

BEWAAR DEZE INSTRUCTIES.

⚠ WAARSCHUWING: Laat u NIET misleiden door een vals gevoel van comfort en bekendheid met het gereedschap (na veelvuldig gebruik) en neem alle veiligheidsvoorschriften van het betreffende gereedschap altijd strikt in acht. **VERKEERD GEBRUIK** of het niet naleven van de veiligheidsvoorschriften in deze gebruiksaanwijzing kan leiden tot ernstig persoonlijk letsel.

Belangrijke veiligheidsinstructies voor een accu

1. Lees alle voorschriften en waarschuwingen op (1) de acculader, (2) de accu, en (3) het product waarvoor de accu wordt gebruikt, alvorens de accu in gebruik te nemen.
2. Haal de accu niet uit elkaar en saboteer hem niet. Dit kan leiden tot brand, buitensporige hitte of een explosie.
3. Als de gebruikstijd van een opgeladen accu aanzienlijk korter is geworden, moet u het gebruik ervan onmiddellijk stopzetten. Voortgezet gebruik kan oververhitting, brandwonden en zelfs een ontploffing veroorzaken.
4. Als elektrolyt in uw ogen is terechtgekomen, spoelt u uw ogen met schoon water en roept u onmiddellijk de hulp van een dokter in. Elektrolyt in de ogen kan blindheid veroorzaken.
5. **Voorkom kortsluiting van de accu:**
 - (1) Raak de accuklemmen nooit aan met een geleidend materiaal.
 - (2) Bewaar de accu niet in een bak waarin andere metalen voorwerpen zoals spijkers, munten e.d. worden bewaard.
 - (3) Stel de accu niet bloot aan water of regen. Kortsluiting van de accu kan oorzaak zijn van een grote stroomafgifte, oververhitting, brandwonden, en zelfs defecten.
6. **Bewaar en gebruik het gereedschap en de accu niet op plaatsen waar de temperatuur kan oplopen tot 50 °C of hoger.**
7. **Werp de accu nooit in het vuur, ook niet wanneer hij zwaar beschadigd of volledig versleten is. De accu kan ontploffen in het vuur.**
8. **Laat de accu niet vallen, sla er geen spijker in, snijd er niet in, gooi er niet mee en stoot hem niet tegen een hard voorwerp.** Dergelijke handelingen kunnen leiden tot brand, buitensporige hitte of een explosie.
9. **Gebruik nooit een beschadigde accu.**
10. **De bijgeleverde lithium-ionbatterijen zijn onderhevig aan de vereisten in de wetgeving omtrent gevaarlijke stoffen.**

Voor commercieel transport en dergelijke door derden en transporteurs moeten speciale vereisten ten aanzien van verpakking en etikettering worden nageleefd.

Als voorbereiding van het artikel dat wordt getransporteerd is het noodzakelijk een expert op het gebied van gevaarlijke stoffen te raadplegen. Houd u tevens aan mogelijk strengere nationale regelgeving.

Blootliggende contactpunten moeten worden afgedekt met tape en de accu moet zodanig worden verpakt dat deze niet kan bewegen in de verpakking.
11. **Wanneer u de accu wilt weggooien, verwijdert u de accu vanaf het gereedschap en gooit u hem op een veilige manier weg. Volg bij het weggooien van de accu de plaatselijke voorschriften.**
12. **Gebruik de accu's uitsluitend met de gereedschappen die door Makita zijn aanbevolen.** Als de accu's worden aangebracht in niet-compatibele gereedschappen, kan dat leiden tot brand, buitensporige warmteontwikkeling, een explosie of lekkage van elektrolyt.
13. **Als u het gereedschap gedurende een lange tijd niet denkt te gaan gebruiken, moet de accu vanaf het gereedschap worden verwijderd.**
14. **Tijdens en na gebruik, kan de accu heet worden waardoor brandwonden of koude brandwonden kunnen worden veroorzaakt. Wees voorzichtig bij het hanteren van een hete accu.**
15. **Raak de aansluitpunten van het gereedschap niet onmiddellijk na gebruik aan omdat deze heet genoeg kunnen zijn om brandwonden te veroorzaken.**
16. **Zorg ervoor dat geen steenslag, stof of grond vast komt te zitten op/in de aansluitpunten, openingen en groeven van de accu.** Hierdoor kan oververhitting, brand, een barst en een storing in het gereedschap of de accu ontstaan waardoor brandwonden of persoonlijk letsel kunnen ontstaan.
17. **Behalve indien gebruik van het gereedschap is toegestaan in de buurt van hoogspanningsleidingen, mag u de accu niet gebruiken in de buurt van een hoogspanningsleiding.** Dit kan leiden tot een storing of een defect van het gereedschap of de accu.
18. **Houd de accu uit de buurt van kinderen.**

BEWAAR DEZE INSTRUCTIES.

⚠ LET OP: Gebruik uitsluitend originele Makita accu's. Het gebruik van niet-originele accu's, of accu's die zijn gewijzigd, kan ertoe leiden dat de accu ontploft en brand, persoonlijk letsel en schade veroorzaakt. Ook vervalt daarmee de garantie van Makita op het gereedschap en de lader van Makita.

Tips voor een maximale levensduur van de accu

1. Laad de accu op voordat hij volledig ontladen is. Stop het gebruik van het gereedschap en laad de accu op telkens wanneer u vaststelt dat het vermogen van het gereedschap is afgenomen.
2. Laad een volledig opgeladen accu nooit opnieuw op. Te lang opladen verkort de levensduur van de accu.
3. Laad de accu op bij een omgevingstemperatuur tussen 10 °C en 40 °C. Laat een warme accu afkoelen alvorens hem op te laden.
4. Als de accu niet wordt gebruikt, verwijder u hem vanaf het gereedschap of de lader.
5. Laad de accu op als u deze gedurende een lange tijd (meer dan zes maanden) niet gaat gebruiken.

BESCHRIJVING VAN DE FUNCTIES

⚠ LET OP: Zorg altijd dat het gereedschap is uitgeschakeld en de accu ervan is verwijderd alvorens de functies op het gereedschap af te stellen of te controleren.

De accu aanbrengen en verwijderen

⚠ LET OP: Schakel het gereedschap altijd uit voordat u de accu aanbrengt of verwijderd.

⚠ LET OP: Houd het gereedschap en de accu stevig vast tijdens het aanbrengen of verwijderen van de accu. Als u het gereedschap en de accu niet stevig vasthoudt, kunnen deze uit uw handen glippen en het gereedschap of de accu beschadigen, of kan persoonlijk letsel worden veroorzaakt.

► Fig.1: 1. Rood deel 2. Knop 3. Accu

Om de accu te verwijderen verschuift u de knop aan de voorkant van de accu en schuift u tegelijkertijd de accu uit het gereedschap.

Om de accu aan te brengen lijnt u de lip op de accu uit met de groef in de behuizing en duwt u de accu op zijn plaats. Steek de accu zo ver mogelijk in het gereedschap tot u een klikgeluid hoort. Wanneer het rode deel zichtbaar is, zoals aangegeven in de afbeelding, is de accu niet geheel vergrendeld.

⚠ LET OP: Breng de accu altijd helemaal aan totdat het rode deel niet meer zichtbaar is. Als u dit niet doet, kan de accu per ongeluk uit het gereedschap vallen en u of anderen in uw omgeving verwonden.

⚠ LET OP: Breng de accu niet met kracht aan. Als de accu niet gemakkelijk in het gereedschap kan worden geschoven, wordt deze niet goed aangebracht.

De resterende acculading controleren

Alleen voor accu's met indicatorlampjes

► Fig.2: 1. Indicatorlampjes 2. Testknop

Druk op de testknop op de accu om de resterende acculading te zien. De indicatorlampjes branden gedurende enkele seconden.

Indicatorlampjes			Resterende acculading
Brandt	Uit	Knippert	
■ ■ ■ ■			75% tot 100%
■ ■ ■ □			50% tot 75%
■ ■ □ □			25% tot 50%
■ □ □ □			0% tot 25%
▣ □ □ □			Laad de accu op.
■ ■ □ □			Er kan een storing zijn opgetreden in de accu.
□ □ ■ ■			

OPMERKING: Afhankelijk van de gebruiksomstandigheden en de omgevingstemperatuur, is het mogelijk dat de aangegeven acculading verschilt van de werkelijke acculading.

OPMERKING: Het eerste (meest linker) indicatorlampje knippert wanneer het accubeveiligingssysteem in werking is getreden.

Gereedschap-/accubeveiligingssysteem

Het gereedschap is uitgerust met een gereedschap-/accubeveiligingssysteem. Dit systeem kan automatisch de stroomtoevoer naar de motor afsluiten om de levensduur van het gereedschap en de accu te verlengen. Het gereedschap zal tijdens gebruik automatisch stoppen wanneer het gereedschap of de accu zich in een van de volgende omstandigheden bevindt: Onder bepaalde omstandigheden gaan de indicatorlampjes branden.

Overbelastingsbeveiliging

Wanneer het gereedschap/de accu wordt bediend op een manier waarop een abnormaal hoge stroomsterkte wordt getrokken, stopt het gereedschap automatisch en knippert de bedrijfslamp. Schakel in die situatie het gereedschap uit en stop het gebruik dat ertoe leidde dat het gereedschap overbelast raakte. Schakel vervolgens het gereedschap in om het weer te starten.

Oververhittingsbeveiliging

Wanneer het gereedschap of de accu oververhit is, stopt het gereedschap automatisch en knippert de bedrijfslamp. Laat in die situatie het gereedschap afkoelen voordat u het gereedschap weer inschakelt.

Beveiliging tegen te ver ontladen

Als de acculading laag is, stopt het gereedschap automatisch. Als het gereedschap niet in- en uitschakelt volgens de bediening van de schakelaar, verwijdert u de accu vanaf het gereedschap en laadt u hem op.

Beveiliging tegen andere oorzaken

Het beveiligingssysteem is ook ontworpen voor andere oorzaken die het gereedschap kunnen beschadigen, en zorgt ervoor dat het gereedschap automatisch stopt. Voer alle volgende stappen uit om de oorzaken op te heffen, wanneer het gereedschap tijdelijk is onderbroken of tijdens het gebruik is gestopt.

1. Schakel het gereedschap uit en schakel het daarna weer in om het opnieuw te starten.
2. Laad de accu('s) op of vervang hem/ze door (een) opgeladen accu('s).
3. Laat het gereedschap en de accu('s) afkoelen.

Als geen verbetering optreedt nadat het beveiligingssysteem is gereset, neemt u contact op met uw lokale Makita-servicecentrum.

De trekkerschakelaar gebruiken

⚠ WAARSCHUWING: Gebruik het gereedschap **NOOIT** wanneer dit draait door gewoon de trekkerschakelaar in te knijpen zonder de uit-vergrendelknop in te drukken. Een schakelaar die gerepareerd moet worden kan leiden tot onbedoeld inschakelen van het gereedschap en ernstig persoonlijk letsel. Stuur het gereedschap naar een Makita-servicecentrum voor deugdelijke reparatie ALVORENS het verder te gebruiken.

⚠ WAARSCHUWING: U mag **NOOIT** de werking van de uit-vergrendelknop omzeilen door hem met tape vast te plakken of op een andere manier. Een schakelaar met een gemanipuleerde uit-vergrendelknop kan leiden tot onbedoeld inschakelen van het gereedschap en ernstig persoonlijk letsel.

⚠ LET OP: Alvorens de accu in het gereedschap te plaatsen, moet u altijd controleren of de trekkerschakelaar goed werkt en bij het loslaten terugkeert naar de stand "OFF".

⚠ LET OP: Knijp de trekkerschakelaar niet hard in zonder de uit-vergrendelknop in te drukken. Hierdoor kan de schakelaar kapot gaan.

⚠ LET OP: Onmiddellijk nadat u de trekkerschakelaar hebt losgelaten, begint het gereedschap de snelheid van de schijf af te remmen. Houd het gereedschap stevig vast om de reactiekracht van het afremmen te kunnen opvangen nadat de trekkerschakelaar is losgelaten. Door de plotselinge reactiekracht kan het gereedschap uit uw handen vallen en persoonlijk letsel veroorzaken.

Een uit-vergrendelknop is aanwezig om te voorkomen dat de trekkerschakelaar per ongeluk wordt ingeknepen. Om het gereedschap te starten, houdt u de uit-vergrendelknop ingedrukt en knijpt u vervolgens de trekkerschakelaar in. Laat de trekkerschakelaar los om het gereedschap te stoppen.

► Fig.3: 1. Trekkerschakelaar 2. Uit-vergrendelknop

De schijf selecteren

⚠ LET OP: Het nominale toerental van het accessoire moet minstens gelijk zijn aan het maximumtoerental vermeld op het elektrisch gereedschap. Accessoires die met een hoger toerental draaien dan hun nominaal toerental kunnen stuk breken en in het rond vliegen.

⚠ LET OP: De schijven mogen uitsluitend worden gebruikt voor de aanbevolen toepassingen.

Selecteer een van de meest geschikte doorslijpschijven aan de hand van uw toepassing.

Type schijf	Praktische toepassing
Doorslijpschijf	Doorslijpen van staal, roestvrijstaal, metaal
Schijf met hardmetalen korrels	Doorslijpen van kunststof, gips, composietmaterialen
Diamantschijf	Doorslijpen van tegels, keramiek

Draairichting van de schijf

⚠ LET OP: Controleer altijd de draairichting alvorens het gereedschap te starten.

⚠ LET OP: Verander de stand van de omkeerschakelaar alleen nadat het gereedschap volledig tot stilstand is gekomen. Een plotselinge verandering van de draairichting tijdens gebruik, leidt ertoe dat het gereedschap om veiligheidsredenen abrupt stopt.

De draairichting van de schijf kan worden veranderd naar vooruit of achteruit.

Om de draairichting vooruit te kiezen, schuift u de omkeerschakelaar naar links totdat de aanduiding "F" zichtbaar is op de schakelaar.

Om de draairichting achteruit te kiezen, schuift u de omkeerschakelaar naar rechts totdat de aanduiding "R" zichtbaar is op de schakelaar.

► Fig.4: 1. Omkeerschakelaar

Spaanders, afval, vonken en slijpsel vliegen weg in een tangentiële richting ten opzichte van de draairichting van de schijf. Gebruik de beschermkap op effectieve wijze om langdurige blootstelling aan slijpsel te vermijden en een deel van het afval en slijpsel in een alternatieve richting wordt weggevoerd.

Als reactie op het plotseling stoppen van de draaiende schijf, kan het gereedschap oncontroleerbaar bewegen in de richting tegengesteld aan de draairichting van de schijf.

Draairichting vooruit

► Fig.5: 1. Slijpsel 2. Reactiekracht

Draairichting achteruit

► Fig.6: 1. Slijpsel 2. Reactiekracht

Beschermkap

⚠ LET OP: Verzekeer u ervan dat de beschermkap vóór gebruik correct en stevig is aangebracht achter de doorslijpschijf.

Zet de beschermkap vast in een comfortabele positie, voor maximale veiligheid en minimale blootstelling aan mogelijke risicofactoren, afhankelijk van uw werkomstandigheden en voorkeuren.

Naar voren zetten

► Fig.7: 1. Beschermkap 2. Doorslijpschijf

Naar achteren zetten

► Fig.8: 1. Beschermkap 2. Doorslijpschijf

Asvergrendeling

Druk de asvergrendeling in om te voorkomen dat de as meedraait wanneer u de doorslijpschijf aanbrengt en verwijderd.

► Fig.9: 1. Asvergrendeling

KENNISGEVING: Bedien de asvergrendeling nooit terwijl de as draait. Het gereedschap kan hierdoor worden beschadigd.

Bedrijfslamp

⚠ LET OP: Kijk niet direct in het lamplicht of in de lichtbron.

Om de bedrijfslamp in te schakelen, houdt u de uitvergrendelknop ingedrukt en knijpt u trekkerschakelaar in. De lamp gaat ongeveer 15 seconden nadat u de trekkerschakelaar hebt losgelaten uit.

► Fig.10: 1. Bedrijfslamp

KENNISGEVING: Wanneer het gereedschap onder een buitensporig hoge belasting wordt gebruikt, knippert de bedrijfslamp. Laat in deze situatie de trekkerschakelaar los en verlaag de belasting op het gereedschap voordat u deze weer gebruikt.

KENNISGEVING: Wanneer het gereedschap oververhit is, knippert de bedrijfslamp. Laat in dat geval de trekkerschakelaar los en laat het gereedschap/de accu afkoelen voordat u deze weer gebruikt.

OPMERKING: Gebruik een droge doek om vuil van de lens van de lamp af te vegen. Wees voorzichtig dat u de lens van de lamp niet bekrast omdat dan de verlichting minder wordt.

De zaagdiepte instellen

⚠ LET OP: Nadat u de slijpdiepte hebt ingesteld, zet u de vingerschroef altijd stevig vast.

Als de stofopvangkap is aangebracht, kan de slijpdiepte nauwkeurig worden geregeld tot 13,5 mm.

Draai de vingerschroef op de diepteschaalverdeling los. Breng de gereedschapshandgreep omhoog of omlaag naar de stand waarin de diepteaanwijzer op de kap overeenkomt met de gewenste slijpdiepte op de schaalverdeling. Draai daarna de vingerschroef vast.

► Fig.11: 1. Vingerschroef 2. Diepteschaalverdeling 3. Diepteaanwijzer

⚠ LET OP: Voor schoon en veilig slijpen, stelt u de slijpdiepte zodanig in dat de doorslijpschijf 2,0 mm of minder dieper reikt dan het onderoppervlak van het werkstuk. Door de slijpdiepte goed in te stellen, verkleint u de kans op een potentieel gevaarlijke terugslag, en daarmee op persoonlijk letsel.

Zichtlijn voor recht slijpen

Als de stofopvangkap is aangebracht, kunt u recht slijpen veilig uitvoeren door de doorslijpschijf uit te lijnen met de slijprichting voordat u daadwerkelijk begint te slijpen.

Lijn de geleidenok op met de zool van de stofopvangkap uit met uw beoogde slijplijn op het werkstuk.

► Fig.12: 1. Inkeping 2. Voetstuk 3. Slijplijn

Een stofzuiger aansluiten

Optioneel accessoire

Wanneer u tijdens het slijpen schoon wilt werken, sluit u een Makita-stofzuiger aan op de stofafzuigaansluitmond op de stofopvangkap met behulp van een voorste aansluitstuk 22 (optioneel accessoire).

► Fig.13: 1. Voorste aansluitstuk 22
2. Stofafzuigaansluitmond 3. Slang 4. Stofzuiger

Beveiliging tegen onopzettelijk herstarten

Wanneer de trekkerschakelaar ingeknepen wordt gehouden en de accu wordt aangebracht, start het gereedschap niet.

Om het gereedschap te starten, laat u eerst de trekker-schakelaar los. Houd de uitvergrendelknop ingedrukt en knijp vervolgens de trekkerschakelaar in.

Elektronische functies

Het gereedschap is uitgerust met elektronische functies voor een eenvoudige bediening.

- Elektrische rem
Dit gereedschap is voorzien van een elektrische rem. Als het gereedschap continu niet snel stopt met werken nadat de trekkerschakelaar is losgelaten, laat u het gereedschap onderhouden door een Makita-servicecentrum.
- Constant-toerentalregeling
De toerentalregelfunctie zorgt voor een constant toerental ongeacht de belastingsomstandigheden.

- Actieve-terugkoppelingstechnologie
Het gereedschap detecteert elektronisch situaties waarin de schijf of het accessoire gevaar loopt om vast te lopen. In deze situatie wordt het gereedschap automatisch uitgeschakeld om verder rond-draaien van de as te voorkomen (het voorkomen niet terugslag).
Om het gereedschap te starten, schakelt u eerst het gereedschap uit, heft u de oorzaak van de plotselinge afname van het toerental op, en schakelt u daarna het gereedschap weer in.

MONTAGE

⚠ALLET OP: Zorg altijd dat het gereedschap is uitgeschakeld en de accu ervan is verwijderd alvorens enig werk aan het gereedschap uit te voeren.

Opbergen van de inbusleutel

Wanneer u de inbusleutel niet gebruikt, bergt u deze op de plaats aangegeven in de afbeelding op, om te voorkomen dat deze wordt verloren.

► **Fig.14:** 1. Inbusleutel

De doorslijpschijf verwijderen en aanbrengen

⚠ALLET OP: Gebruik uitsluitend de bijgeleverde Makita-inbusleutel om een doorslijpschijf te verwijderen en aan te brengen.

⚠ALLET OP: Verzeker u ervan dat na het aanbrengen van een doorslijpschijf de bout stevig wordt vastgedraaid.

KENNISGEVING: Verzeker u ervan dat bij het aanbrengen van een diamantschijf de pijlen op de diamantschijf in dezelfde richting wijzen als de gewenste draairichting om de beste prestaties te krijgen.

Om een doorslijpschijf te verwijderen, drukt u de asvergrendeling helemaal in zodat de doorslijpschijf niet meer kan draaien, en gebruikt u de inbusleutel om de inbusbout linksom los te draaien. Verwijder vervolgens de inbusbout, de buitenflens en de doorslijpschijf.

► **Fig.15:** 1. Asvergrendeling 2. Inbusleutel
3. Inbusbout 4. Losdraaien 5. Vastdraaien

KENNISGEVING: Als de binnenflens verwijderd is, brengt u deze weer aan op de as met het schijf-bestigtigsdeel naar boven gericht.

Om een doorslijpschijf aan te brengen, volgt u de verwijderingsprocedure in omgekeerde volgorde.

► **Fig.16:** 1. Inbusbout 2. Buitenflens 3. Doorslijpschijf
4. Binnenflens 5. As

De stofopvangkap aanbrengen en verwijderen

⚠ALLET OP: Verzeker u er vóór gebruik van dat de beschermkap stevig wordt vergrendeld door de stopper binnenin de stofopvangkap.

⚠ALLET OP: Vermijd het gebruik van de stofopvangkap bij het werken met metalen omdat hierbij warmte en vonken worden geproduceerd waardoor de kunststof onderdelen van de stofopvangkap kunnen smelten.

De stofopvangkap bevordert het veilig en efficiënt slijpen, en zorgt voor bescherming tegen de draaiende schijf, stabiliteit tijdens het slijpen, een nauwkeurige controle van de slijpdiepte en de mogelijkheid tot stofafzuiging, met name bij het slijpen van tegels, gips en steen.

De stofopvangkap aanbrengen

1. Draai de vingerschroef los op de diepteschaalverdeling van de stofopvangkap. Breng de kap helemaal omhoog en draai daarna de vingerschroef vast om de stofopvangkap vast te zetten in de hoogste stand.

► **Fig.17:** 1. Vingerschroef 2. Diepteschaalverdeling
3. Stofopvangkap

2. Zet de beschermkap op het gereedschap in de stand naar voren.

► **Fig.18:** 1. Beschermkap

3. Breng de gereedschaphandgreep iets omhoog en plaats de voorste helft van de beschermkap onder een hoek in de stofopvangkap en laat de onderkant van de doorslijpschijf zakken door de schijfopening in de zool van de stofopvangkap.

► **Fig.19:** 1. Beschermkap 2. Stofopvangkap
3. Doorslijpschijf 4. Schijfopening

4. Breng de achterste helft van de beschermkap in de stofopvangkap door de gereedschaphandgreep omlaag te brengen vanuit de verhoogde stand naar een lage stand.

► **Fig.20:** 1. Beschermkap 2. Stofopvangkap

5. Breng de gereedschaphandgreep weer omhoog en haak de achterrand van de beschermkap over de stopper binnenin de stofopvangkap.

► **Fig.21:** 1. Beschermkap 2. Stopper

6. Draai de vingerschroef los. Kantel het gereedschap omhoog en omlaag naar de gewenste slijpdiepte. Draai daarna de vingerschroef vast om het gereedschap vast te zetten.

De stofopvangkap verwijderen

1. Draai de vingerschroef los op de diepteschaalverdeling van de stofopvangkap. Breng de gereedschaphandgreep helemaal omhoog en draai daarna de vingerschroef vast om de stofopvangkap vast te zetten in de hoogste stand.

► **Fig.22:** 1. Vingerschroef 2. Diepteschaalverdeling
3. Stofopvangkap

2. Schuif de ontgrendelhendel in de richting van de vingerschroef om de beschermkap te ontgrendelen van de stopper binnenin de stofopvangkap.

► **Fig.23:** 1. Ontgrendelhendel 2. Vingerschroef
3. Beschermkap 4. Stofopvangkap
5. Stopper

3. Haal de achterste helft van de beschermkap uit de stofopvangkap door de gereedschaphandgreep omlaag te brengen vanuit de verhoogde stand naar een lage stand.

► Fig.24: 1. Beschermkap 2. Stofopvangkap

4. Trek de voorste helft van de beschermkap onder een lichte hoek omhoog en naar buiten, uit de stofopvangkap.

► Fig.25: 1. Beschermkap 2. Stofopvangkap

BEDIENING

⚠ALLET OP: Houd tijdens gebruik het gereedschap altijd stevig vast.

⚠ALLET OP: Forceer het gereedschap niet. Als u het gereedschap forceert en er buitensporig veel kracht op uitoefent, of als de schijf in de snede verbuigt, klemt of verdraait, kan dit leiden tot oververhitting van de motor en gevaar voor terugslag van het gereedschap.

⚠ALLET OP: Verzeker u ervan dat bij het doorslijpen van kunststof de doorslijpschijf niet oververhit raakt. Hierdoor kan het werkstuk smelten.

⚠ALLET OP: Stoot of bots niet met de doorslijpschijf bij het starten of tijdens gebruik.

⚠ALLET OP: Draag tijdens gebruik altijd een veiligheidsbril of spatscherm.

⚠ALLET OP: Schakel na gebruik altijd het gereedschap uit en wacht tot de schijf volledig tot stilstand is gekomen voordat u het gereedschap neerlegt.

Omlaag slijpen

KENNISGEVING: Wees voorzichtig met betrekking tot het gebruik van de effectieve slijprand van de schijf om blootstelling aan slijpsel te voorkomen.

KENNISGEVING: Houd de doorslijpschijf rechtop in het werkstuk en voorkom dat tijdens gebruik het gereedschap kantelt of slingert.

Zet de beschermkap in de juiste stand voor een maximale bescherming tegen vonken en losse deeltjes die door de doorslijpschijf worden uitgeworpen. Houd het gereedschap boven het werkstuk zonder dat de doorslijpschijf het werkstuk raakt. Schakel het gereedschap in en wacht totdat de doorslijpschijf op het maximumtoerental draait. Breng daarna het gereedschap langzaam omlaag op en in het werkstukoppervlak met een gematigde snelheid, geschikt voor uw toepassing.

Draairichting vooruit

► Fig.26

Draairichting achteruit

► Fig.27

Recht slijpen

⚠ALLET OP: Verzeker u ervan dat de doorslijpschijf altijd omhoog draait op het punt waar hij slijpt. Anders kan het gereedschap ongecontroleerd uit de snede worden geduwd.

KENNISGEVING: Slijp in een rechte lijn en oefen een regelmatige druk uit om een uniforme snede door het werkstuk te krijgen.

Plaats de zool van de stofopvangkap op het werkstuk dat u wilt doorslijpen zonder dat de doorslijpschijf het werkstuk raakt. Schakel het gereedschap in en wacht totdat de doorslijpschijf op het maximumtoerental draait. Beweeg vervolgens het gereedschap langzaam plat en soepel over het oppervlak van het werkstuk totdat het slijpen klaar is.

Selecteer de draairichting achteruit voor duwend slijpen, en de draairichting vooruit voor trekkend slijpen.

Duwend slijpen met draairichting achteruit

► Fig.28

Trekkend slijpen met draairichting vooruit

► Fig.29

OPMERKING: Denk eraan dat de stofopvangkap minder effectief werkt bij trekkend slijpen omdat een deel van het slijpsel zich binnenin de kap verspreidt tegen de afzuigstrooming in.

ONDERHOUD

⚠ALLET OP: Zorg altijd dat het gereedschap is uitgeschakeld en de accu ervan is verwijderd alvorens te beginnen met onderhoud of inspectie.

KENNISGEVING: Gebruik nooit benzine, wasbenzine, thinner, alcohol en dergelijke. Hierdoor kunnen verkleuring, vervormingen en barsten worden veroorzaakt.

Om de VEILIGHEID en BETROUWBAARHEID van het gereedschap te handhaven, dienen alle reparaties, onderhoud of afstellingen te worden uitgevoerd bij een erkend Makita-servicecentrum of de Makita-fabriek, en altijd met gebruik van Makita-vervangingsonderdelen.

De diamantschijf zuiveren

Als de diamantschijf minder goed slijpt, gebruikt u een oude, opgebruikte, grofkorrelige slijpsteen van een tafelslijpmachine of een betonblok om de diamantschijf te zuiveren. Om dit te doen, zet u de slijpsteen van een tafelslijpmachine of het betonblok stevig vast en slijpt u erin.

Na gebruik

Reinig het stof binnenin het gereedschap door het gereedschap enige tijd stationair te laten draaien. Opeenhoping van stof in de motor kan leiden tot een storing van het gereedschap.

De beschermkap en stofopvangkap schoonmaken

Maak regelmatig de binnenkant van de beschermkap en stofopvangkap schoon. Blaas of veeg al het vuil of stof af dat zich erin heeft opgehoopt.

► **Fig.30:** 1. Beschermkap 2. Stofopvangkap

De ventilatieopeningen schoonmaken

Maak regelmatig de ventilatieopeningen van het gereedschap schoon voor een soepele luchtcirculatie. Verwijder het stofrooster vanaf de luchtinlaatopening en maak hem schoon wanneer hij vuil en verstopt is.

► **Fig.31:** 1. Stofrooster 2. Luchtinlaatopening

OPTIONELE ACCESSOIRES

⚠ LET OP: Deze accessoires of hulpstukken worden aanbevolen voor gebruik met het Makita gereedschap dat in deze gebruiksaanwijzing is beschreven. Bij gebruik van andere accessoires of hulpstukken bestaat het gevaar van persoonlijke letsel. Gebruik de accessoires of hulpstukken uitsluitend voor hun bestemde doel.

Wenst u meer bijzonderheden over deze accessoires, neem dan contact op met het plaatselijke Makita-servicecentrum.

- Doorslijpschijf
- Diamantschijf
- Schijf met hardmetalen korrels
- Inbusseutel
- Originele Makita accu's en acculaders

OPMERKING: Sommige items op de lijst kunnen zijn inbegrepen in de doos van het gereedschap als standaard toebehoren. Deze kunnen van land tot land verschillen.

ESPECIFICACIONES

Modelo:		DMC300
Diámetro exterior del disco		76 mm
Diámetro interior (para eje) del disco		10,0 mm / 9,5 mm (3/8") (específico para cada país)
Grosor máx. del disco		1,0 mm
Capacidades de corte máx.	Con cubierta de recogida de polvo	13,5 mm
	Sin cubierta de recogida de polvo	16,0 mm
Velocidad nominal (n)/Velocidad sin carga (n ₀)		20.000 min ⁻¹
Longitud total		271 mm *1
Tensión nominal		CC 18 V
Peso neto		1,2 - 1,7 kg

*1. Con cartucho de batería (BL1860B)/Sin cubierta de recogida de polvo

- Debido a nuestro continuado programa de investigación y desarrollo, las especificaciones aquí dadas están sujetas a cambios sin previo aviso.
- Las especificaciones y el cartucho de batería pueden diferir de país a país.
- El peso puede variar dependiendo del accesorio(s), incluyendo el cartucho de batería. La combinación menos pesada y la más pesada, de acuerdo con el procedimiento EPTA 01/2014, se muestran en la tabla.

Cartucho de batería y cargador aplicables

Cartucho de batería	BL1815N / BL1820B / BL1830B / BL1840B / BL1850B / BL1860B
Cargador	DC18RC / DC18RD / DC18RE / DC18SD / DC18SE / DC18SF / DC18SH / DC18WC

- Algunos de los cartuchos de batería y cargadores indicados arriba puede que no estén disponibles dependiendo de su región de residencia.

⚠ADVERTENCIA: Utilice solamente los cartuchos de batería y cargadores listados arriba. La utilización de cualquier otro cartucho de batería y cargador puede ocasionar heridas y/o un incendio.

Uso previsto

La herramienta ha sido prevista para cortar chapas, herrajes, tubos, baldosas y paredes de metal, plástico, cerámica, yeso y materiales compuestos similares sin usar agua.

Ruido

El nivel de ruido A-ponderado típico determinado de acuerdo con la norma EN60745-2-22:

Nivel de presión sonora (L_{pA}) : 88 dB (A)

Nivel de potencia sonora (L_{WA}) : 99 dB (A)

Error (K) : 3 dB (A)

NOTA: El valor (o los valores) de emisión de ruido declarado ha sido medido de acuerdo con un método de prueba estándar y se puede utilizar para comparar una herramienta con otra.

NOTA: El valor (o valores) de emisión de ruido declarado también se puede utilizar en una valoración preliminar de exposición.

⚠ADVERTENCIA: Póngase protectores para oídos.

⚠ADVERTENCIA: La emisión de ruido durante la utilización real de la herramienta eléctrica puede variar del valor (o los valores) de emisión declarado dependiendo de las formas en las que la herramienta sea utilizada, especialmente qué tipo de pieza de trabajo se procesa.

⚠ADVERTENCIA: Asegúrese de identificar medidas de seguridad para proteger al operario que estén basadas en una estimación de la exposición en las condiciones reales de utilización (teniendo en cuenta todas las partes del ciclo operativo como las veces cuando la herramienta está apagada y cuando está funcionando en vacío además del tiempo de gatillo).

Vibración

El valor total de la vibración (suma de vectores triaxiales) determinado de acuerdo con la norma EN60745-2-22:

Modo de trabajo: corte de hormigón (5 mm de grosor)

Emisión de vibración (a_{h1}): 3,0 m/s²

Error (K): 1,5 m/s²

NOTA: El valor (o los valores) total de emisión de vibración declarado ha sido medido de acuerdo con un método de prueba estándar y se puede utilizar para comparar una herramienta con otra.

NOTA: El valor (o los valores) total de emisión de vibración declarado también se puede utilizar en una valoración preliminar de exposición.

⚠ ADVERTENCIA: La emisión de vibración durante la utilización real de la herramienta eléctrica puede variar del valor (o los valores) de emisión declarado dependiendo de las formas en las que la herramienta sea utilizada, especialmente qué tipo de pieza de trabajo se procesa.

⚠ ADVERTENCIA: Asegúrese de identificar medidas de seguridad para proteger al operario que estén basadas en una estimación de la exposición en las condiciones reales de utilización (teniendo en cuenta todas las partes del ciclo operativo como las veces cuando la herramienta está apagada y cuando está funcionando en vacío además del tiempo de gatillo).

Declaraciones de conformidad

Para países europeos solamente

Las declaraciones de conformidad están incluidas como Anexo A de este manual de instrucciones.

ADVERTENCIAS DE SEGURIDAD

Advertencias de seguridad para herramientas eléctricas en general

⚠ ADVERTENCIA Lea todas las advertencias de seguridad, instrucciones, ilustraciones y especificaciones provistas con esta herramienta eléctrica.

Si no sigue todas las instrucciones indicadas abajo, podrá resultar en una descarga eléctrica, un incendio y/o heridas graves.

Guarde todas las advertencias e instrucciones para futuras referencias.

El término "herramienta eléctrica" en las advertencias se refiere a su herramienta eléctrica de funcionamiento con conexión a la red eléctrica (con cable) o herramienta eléctrica de funcionamiento a batería (sin cable).

Advertencias de seguridad para el cortador compacto

1. **El protector provisto con la herramienta deberá estar colocado en la herramienta eléctrica firmemente y en la posición que ofrezca la máxima seguridad, de forma que hacia el operario quede la mínima parte de disco desprotegida. Colóquense usted y los curiosos alejados del plano de giro del disco giratorio.** El protector ayuda a proteger al operario de fragmentos de disco roto y de un contacto accidental con el disco.
2. **Utilice solamente discos reforzados aglomerados o de diamante con su herramienta eléctrica.** Solamente porque un accesorio pueda ser instalado en su herramienta eléctrica, no quiere decir que su operación sea segura.
3. **La velocidad especificada del accesorio deberá ser al menos igual que la velocidad máxima marcada en la herramienta eléctrica.** Si los accesorios se utilizan a una velocidad más alta de la velocidad especificada pueden romperse y salir despedidos.
4. **Los discos deberán ser utilizados solamente para aplicaciones recomendadas. Por ejemplo, no amole con el costado de un disco de cortar.** Los discos de cortar abrasivos han sido previstos para amolado periférico, estos discos podrán desintegrarse si se les aplican fuerzas laterales.
5. **Utilice siempre bridas de disco no dañadas que sean del tamaño correcto para el disco que ha seleccionado.** Las bridas de disco correctas sujetan los discos de tal manera que reducen la posibilidad de que el disco se rompa.
6. **No utilice discos reforzados gastados de otras herramientas eléctricas más grandes.** Los discos previstos para una herramienta eléctrica más grande no son apropiados para la máxima velocidad de una herramienta más pequeña y pueden reventarla.
7. **El diámetro exterior y el grosor de su accesorio deberán estar dentro de la capacidad nominal de su herramienta eléctrica.** Los accesorios de tamaño incorrecto no se pueden proteger ni controlar adecuadamente.
8. **El tamaño del agujero para eje de los discos y bridas deberá encajar debidamente en el eje de la herramienta eléctrica.** Los discos y bridas con agujero para eje que no coincida con el eje de montaje de la herramienta eléctrica se desequilibrarán, vibrarán excesivamente y podrán ocasionar una pérdida de control.
9. **No utilice discos dañados. Antes de cada utilización, inspeccione los discos por si están mellados o agrietados. Si deja caer la herramienta eléctrica o el disco, inspecciónelo por si está dañado o instale un disco que no esté dañado. Después de inspeccionar e instalar el disco, pónganse usted y los curiosos alejados del plano del disco giratorio y haga funcionar la herramienta eléctrica a velocidad máxima en vacío durante un minuto.** Normalmente, los discos dañados se romperán durante este tiempo de prueba.

10. **Póngase equipo de protección personal. Póngase siempre protección para oídos.** En función de la aplicación, utilice pantalla facial, gafas de protección o gafas de seguridad. Según corresponda, póngase mascarilla contra el polvo, guantes y delantal de taller que puedan detener los pequeños fragmentos abrasivos o de pieza de trabajo que salgan despedidos. La protección de los ojos deberá ser capaz de detener los restos que salen volando generados en las diferentes operaciones. La mascarilla contra el polvo o respirador deberá ser capaz de filtrar las partículas generadas en su tarea. La exposición prolongada a ruido de alta intensidad podrá ocasionar pérdida auditiva.
11. **Mantenga a los curiosos a una distancia segura alejados del área de trabajo. Cualquier persona que entre en el área de trabajo deberá utilizar equipo de protección personal.** Los fragmentos de la pieza de trabajo o de un disco roto pueden salir volando y ocasionar heridas más allá del área de operación inmediata.
12. **Cuando realice una operación en la que el accesorio de corte pueda entrar en contacto con cableado oculto, sujete la herramienta eléctrica solamente por las superficies de aislamiento aisladas.** El contacto del accesorio de corte con un cable con corriente puede hacer que la corriente circule por las partes metálicas expuestas de la herramienta eléctrica y soltar una descarga eléctrica al operario.
13. **No deje nunca la herramienta eléctrica hasta que el accesorio se haya detenido completamente.** El disco giratorio puede agarrarse en la superficie y tirar de la herramienta eléctrica dejándola fuera de control.
14. **No tenga la herramienta eléctrica encendida mientras la lleva en su costado.** Un contacto accidental con el accesorio giratorio podrá enganchar sus ropas, y arrastrar el accesorio hacia su cuerpo.
15. **Limpie regularmente los orificios de ventilación de la herramienta eléctrica.** El ventilador del motor atraerá el polvo al interior de la carcasa y una acumulación excesiva del polvo metálico puede ocasionar riesgos eléctricos.
16. **No utilice la herramienta eléctrica cerca de materiales inflamables.** Las chispas pueden prender estos materiales.
17. **No utilice accesorios que requieran refrigerantes líquidos.** La utilización de agua u otros refrigerantes líquidos podrá resultar en una electrocución o descarga eléctrica.

Retrocesos bruscos y advertencias relacionadas

El retroceso brusco es la reacción repentina al aprisionamiento o estancamiento de un disco giratorio. El aprisionamiento o estancamiento ocasiona un detenimiento rápido del disco giratorio que a su vez hace que la herramienta eléctrica descontrolada sea forzada en dirección opuesta a la rotación del disco en el punto de bloqueo. Por ejemplo, si el disco abrasivo queda aprisionado o estancado por la pieza de trabajo, el borde del disco que está entrando en el punto de estancamiento puede hincarse en la superficie del material haciendo que el disco se salga de la hendidura o salte. El disco podrá saltar hacia el operario o en dirección contraria a él, dependiendo de la dirección del movimiento del disco en el punto de estancamiento. Los discos abrasivos también podrán romperse en estas condiciones. Los retrocesos bruscos se deben a un mal uso de la herramienta eléctrica y/o a procedimientos o condiciones de trabajo incorrectos y pueden evitarse tomando las precauciones indicadas a continuación.

1. **Mantenga la herramienta eléctrica empuñada firmemente y posicione su cuerpo y brazo de forma que pueda resistir las fuerzas del retroceso brusco.** Utilice siempre el mango auxiliar, si está provisto, para tener el máximo control sobre el retroceso brusco o reacción de torsión durante la puesta en marcha. El operario puede controlar las reacciones de torsión o fuerzas de retroceso brusco, si toma las precauciones apropiadas.
2. **No ponga nunca su mano cerca del accesorio girando.** El accesorio puede retroceder bruscamente sobre su mano.
3. **No ponga su cuerpo en línea con el disco giratorio.** El retroceso brusco propulsará la herramienta en dirección opuesta al movimiento del disco en el punto de enganche.
4. **Tenga cuidado especial cuando trabaje en esquinas, bordes cortantes, etc. Evite que el accesorio rebote o se enganche.** Las esquinas, bordes cortantes o los rebotes tienen la tendencia a enganchar el accesorio giratorio y ocasionar la pérdida de control o retroceso brusco.
5. **No coloque una cadena de sierra, un disco de tallar madera o un disco de diamante segmentado con una holgura periférica mayor de 10 mm ni un disco de sierra dentado.** Tales discos crean retrocesos bruscos y pérdida de control frecuentes.
6. **No "atasque" el disco ni ejerza presión excesiva. No intente hacer un corte de excesiva profundidad.** Si fatiga en exceso el disco, aumentará la carga y la susceptibilidad de retorcerse o estancarse en el corte y existirá la posibilidad de que se produzca un retroceso brusco o la rotura del disco.
7. **Cuando el disco esté estancándose o cuando quiera interrumpir un corte por cualquier razón, apague la herramienta eléctrica y sujétela sin moverla hasta que el disco se haya detenido completamente. No intente nunca sacar el disco del corte estando el disco moviéndose porque podrá producirse un retroceso brusco.** Investigue y tome medidas correctivas para eliminar la causa del estancamiento del disco.
8. **No reinicie la operación de corte en la pieza de trabajo. Deje que el disco alcance plena velocidad y vuelva a entrar en el corte cuidadosamente.** Si vuelve a poner en marcha la herramienta eléctrica en la pieza de trabajo, el disco podrá estancarse, saltar o retroceder bruscamente.
9. **Sujete los paneles o cualquier pieza de trabajo demasiado grande para minimizar el riesgo de que el disco se estanque o retroceda bruscamente.** Las piezas de trabajo grandes tienden a combarse con su propio peso. Deberá poner apoyos debajo de la pieza de trabajo cerca de la línea de corte y cerca del borde de la pieza de trabajo en ambos lados del disco.
10. **Extreme las precauciones cuando haga un "corte de cavidad" en paredes u otras áreas ciegas.** La parte saliente del disco podrá cortar tuberías de gas o agua, cables eléctricos u objetos que pueden ocasionar un retroceso brusco.

11. Antes de utilizar un disco de diamante segmentado, asegúrese de que el disco de diamante tiene una holgura periférica entre segmentos de 10 mm o menos, solamente con un ángulo de corte negativo.

Advertencias de seguridad adicionales:

1. No intente nunca cortar con la herramienta sujeta al revés en un tornillo de banco. Esto podrá acarrear accidentes graves, porque es muy peligroso.
2. Compruebe que la pieza de trabajo está apoyada debidamente.
3. Algunos materiales contienen sustancias químicas que podrán ser tóxicas. Tenga precaución para evitar la inhalación de polvo y el contacto con la piel. Siga los datos de seguridad del abastecedor del material.
4. Almacene los discos siguiendo las recomendaciones del fabricante. Un almacenamiento inadecuado puede dañar los discos.

GUARDE ESTAS INSTRUCCIONES.

⚠ ADVERTENCIA: NO deje que la comodidad o familiaridad con el producto (a base de utilizarlo repetidamente) sustituya la estricta observancia de las normas de seguridad para el producto en cuestión. El MAL USO o el no seguir las normas de seguridad establecidas en este manual de instrucciones podrá ocasionar graves heridas personales.

Instrucciones de seguridad importantes para el cartucho de batería

1. Antes de utilizar el cartucho de batería, lea todas las instrucciones e indicaciones de precaución sobre (1) el cargador de baterías, (2) la batería, y (3) el producto con el que se utiliza la batería.
2. No desensamble ni manipule el cartucho de batería. Podrá resultar en un incendio, calor excesivo, o una explosión.
3. Si el tiempo de uso se acorta demasiado, cese la operación inmediatamente. Podría resultar en un riesgo de recalentamiento, posibles quemaduras e incluso una explosión.
4. Si entra electrólito en sus ojos, aclárelos con agua limpia y acuda a un médico inmediatamente. Existe el riesgo de poder perder la vista.
5. No cortocircuite el cartucho de batería:
 - (1) No toque los terminales con ningún material conductor.
 - (2) Evite guardar el cartucho de batería en un cajón junto con otros objetos metálicos, como clavos, monedas, etc.
 - (3) No exponga el cartucho de batería al agua ni a la lluvia.

Un cortocircuito en la batería puede producir una gran circulación de corriente, un recalentamiento, posibles quemaduras e incluso una rotura de la misma.

6. No guarde ni utilice la herramienta y el cartucho de batería en lugares donde la temperatura pueda alcanzar o exceder los 50 °C.
7. Nunca incinere el cartucho de batería incluso en el caso de que esté dañado seriamente o ya no sirva en absoluto. El cartucho de batería puede explotar si se tira al fuego.
8. No clave, corte, aplaste, lance, deje caer el cartucho de batería, ni golpee contra un objeto duro el cartucho de batería. Tal conducta podrá resultar en un incendio, calor excesivo, o una explosión.
9. No utilice una batería dañada.
10. Las baterías de litio-ion contenidas están sujetas a los requisitos de la Legislación para Materiales Peligrosos.
Para transportes comerciales, p.ej., por terceras personas y agentes de transportes, se deberán observar requisitos especiales para el empaquetado y etiquetado.
Para la preparación del artículo que se va a enviar, se requiere consultar con un experto en materiales peligrosos. Por favor, observe también la posibilidad de reglamentos nacionales más detallados.
Cubra con cinta aislante o enmascare los contactos expuestos y empaquete la batería de tal manera que no se pueda mover alrededor dentro del embalaje.
11. Para desechar el cartucho de batería, retirelo de la herramienta y deséchelo en un lugar seguro. Siga los reglamentos locales referentes al desecho de la batería.
12. Utilice las baterías solamente con los productos especificados por Makita. La instalación de las baterías en productos no compatibles puede resultar en un incendio, calor excesivo, explosión, o fuga de electrólito.
13. Si la herramienta no va a ser utilizada durante un periodo de tiempo largo, la batería deberá ser retirada de la herramienta.
14. Durante y después de la utilización, el cartucho de batería podrá acumular calor, lo cual puede ocasionar quemaduras o quemaduras de baja temperatura. Preste atención al manejo de cartuchos de batería calientes.
15. No toque el terminal de la herramienta inmediatamente después de utilizar, dado que puede calentarse lo suficiente como para ocasionar quemaduras.
16. No permita que virutas, polvo, o tierra se adhieran dentro de los terminales, orificios, y ranuras del cartucho de batería. Esto podría ocasionar calentamiento, que coja fuego, reviente y un mal funcionamiento de la herramienta o el cartucho de batería, resultando en quemaduras o heridas personales.
17. A menos que la herramienta pueda utilizarse cerca de cables eléctricos de alta tensión, no utilice el cartucho de batería cerca de cables eléctricos de alta tensión. Podrá resultar en un mal funcionamiento o rotura de la herramienta o el cartucho de batería.
18. Mantenga la batería alejada de los niños.

GUARDE ESTAS INSTRUCCIONES.

⚠PRECAUCIÓN: Utilice solamente baterías genuinas de Makita. La utilización de baterías no genuinas de Makita, o baterías que han sido alteradas, puede resultar en una explosión de la batería ocasionando incendios, heridas personales y daños. También anulará la garantía de Makita para la herramienta y el cargador de Makita.

Consejos para alargar al máximo la vida de servicio de la batería

1. Cargue el cartucho de batería antes de que se descargue completamente. Detenga siempre la operación y cargue el cartucho de batería cuando note menos potencia en la herramienta.
2. No cargue nunca un cartucho de batería que esté completamente cargado. La sobrecarga acortará la vida de servicio de la batería.
3. Cargue el cartucho de batería a temperatura ambiente de 10 °C - 40 °C. Si un cartucho de batería está caliente, déjelo enfriar antes de cargarlo.
4. Cuando no esté utilizando el cartucho de batería, retírelo de la herramienta o del cargador.
5. Cargue el cartucho de batería si no lo utiliza durante un periodo de tiempo prolongado (más de seis meses).

DESCRIPCIÓN DEL FUNCIONAMIENTO

⚠PRECAUCIÓN: Asegúrese siempre de que la herramienta está apagada y el cartucho de batería retirado antes de realizar cualquier ajuste o comprobación en la herramienta.

Instalación o extracción del cartucho de batería

⚠PRECAUCIÓN: Apague siempre la herramienta antes de instalar o retirar el cartucho de batería.

⚠PRECAUCIÓN: Sujete la herramienta y el cartucho de batería firmemente cuando instale o retire el cartucho de batería. Si no sujeta la herramienta y el cartucho de batería firmemente podrán caérsele de las manos y resultar en daños a la herramienta y al cartucho de batería y heridas personales.

► Fig.1: 1. Indicador rojo 2. Botón 3. Cartucho de batería

Para retirar el cartucho de batería, deslícelo de la herramienta mientras desliza el botón de la parte frontal del cartucho.

Para instalar el cartucho de batería, alinee la lengüeta del cartucho de batería con la ranura del alojamiento y deslícelo al interior hasta encajarlo en su sitio. Insértelo por completo hasta que se bloquee en su sitio con un pequeño chasquido. Si puede ver el indicador rojo como se muestra en la figura, no estará bloqueado completamente.

⚠PRECAUCIÓN: Instale siempre el cartucho de batería completamente hasta que no pueda verse el indicador rojo. En caso contrario, podrá caerse accidentalmente de la herramienta y ocasionarle heridas a usted o a alguien que esté cerca de usted.

⚠PRECAUCIÓN: No instale el cartucho de batería empleando fuerza. Si el cartucho no se desliza al interior fácilmente, será porque no está siendo insertado correctamente.

Modo de indicar la capacidad de batería restante

Solamente para cartuchos de batería con el indicador

► Fig.2: 1. Lámparas indicadoras 2. Botón de comprobación

Presione el botón de comprobación en el cartucho de batería para indicar la capacidad de batería restante. Las lámparas indicadoras se iluminan durante unos pocos segundos.

Lámparas indicadoras			Capacidad restante
Iluminada	Apagada	Parpadeando	
			75% a 100%
			50% a 75%
			25% a 50%
			0% a 25%
			Cargue la batería.
			Puede que la batería no esté funcionando bien.

NOTA: Dependiendo de las condiciones de utilización y de la temperatura ambiente, la indicación podrá variar ligeramente de la capacidad real.

NOTA: La primera lámpara indicadora (extremo izquierdo) parpadeará cuando el sistema de protección de la batería esté funcionando.

Sistema de protección de la herramienta / batería

La herramienta está equipada con un sistema de protección de la herramienta/batería. Este sistema corta automáticamente la alimentación del motor para alargar la vida útil de la herramienta y la batería. La herramienta se detendrá automáticamente durante la operación si la herramienta o la batería es puesta en una de las condiciones siguientes. En algunas condiciones, los indicadores se iluminan.

Protección contra sobrecarga

Cuando la herramienta/batería sea operada de una manera que le haga absorber una corriente anormalmente alta, la herramienta se detendrá automáticamente y la lámpara de operación parpadeará. En esta situación, apague la herramienta y detenga la aplicación que ocasiona la sobrecarga de la herramienta. Después encienda la herramienta para volver a empezar.

Protección contra el recalentamiento

Cuando la herramienta/batería se recaliente, la herramienta se detendrá automáticamente y la lámpara de operación parpadeará. En esta situación, deje que la herramienta se enfríe antes de encender la herramienta otra vez.

Protección contra descarga excesiva

Cuando la capacidad de batería sea baja, la herramienta se detendrá automáticamente. Si la herramienta no se pone en marcha paralelamente con la operación del interruptor, retire la batería de la herramienta y cárguela.

Protecciones contra otras causas

También hay un sistema de protección diseñado para otras causas que pueden dañar la herramienta y permite a la herramienta detenerse automáticamente. Realice todos los pasos siguientes para despejar las causas, cuando la herramienta haya sido llevada a una pausa temporal o a una parada en la operación.

1. Apague la herramienta, y después enciéndala otra vez para volver a empezar.
2. Cargue la(s) batería(s) o reemplácela(s) con una batería(s) recargada(s).
3. Deje que la herramienta y la(s) batería(s) se enfríen.

Si no se nota una mejora al restablecer el sistema de protección, póngase en contacto con el centro de servicio Makita local.

Accionamiento del interruptor

⚠️ ADVERTENCIA: No utilice NUNCA la herramienta si se pone en marcha cuando usted simplemente aprieta el gatillo interruptor sin presionar el botón de desbloqueo. Un interruptor con necesidad de reparación puede resultar en una puesta en marcha involuntaria y heridas personales graves. Lleve la herramienta a un centro de servicio Makita para que le hagan las reparaciones apropiadas ANTES de seguir utilizándola.

⚠️ ADVERTENCIA: No anule NUNCA la función del botón de desbloqueo sujetándolo con cinta adhesiva o alguna otra manera. Un interruptor con un botón de desbloqueo anulado puede resultar en una puesta en marcha involuntaria y heridas personales graves.

⚠️ PRECAUCIÓN: Antes de insertar el cartucho de batería en la herramienta, compruebe siempre para cerciorarse de que el gatillo interruptor se acciona debidamente y que vuelve a la posición "OFF" cuando lo suelta.

⚠️ PRECAUCIÓN: No apriete con fuerza el gatillo interruptor sin presionar hacia dentro el botón de desbloqueo. Podría ocasionar la rotura del interruptor.

⚠️ PRECAUCIÓN: La herramienta comenzará a frenar el giro del disco inmediatamente después de que libere el gatillo interruptor. Sujete la herramienta firmemente para responder a la reacción del freno cuando libere el gatillo interruptor. La reacción repentina puede hacer caer la herramienta de su mano y ocasionar heridas personales.

Para evitar que el gatillo interruptor pueda ser apretado accidentalmente, se ha provisto un botón de desbloqueo. Para poner en marcha la herramienta, mantenga presionado el botón de desbloqueo, y después apriete el gatillo interruptor. Suelte el gatillo interruptor para parar.

► Fig.3: 1. Gatillo interruptor 2. Botón de desbloqueo

Selección de disco

⚠️ PRECAUCIÓN: La velocidad especificada del accesorio deberá ser al menos igual que la velocidad máxima marcada en la herramienta eléctrica. Si los accesorios se utilizan a una velocidad más alta de la velocidad especificada pueden romperse y salir despedidos.

⚠️ PRECAUCIÓN: Los discos deberán ser utilizados solamente para aplicaciones recomendadas.

Seleccione uno de los tipos de discos de corte más apropiados en función de su tarea.

Tipo de disco	Aplicaciones prácticas
Disco de corte	Corte de acero, acero inoxidable, metales
Disco de granúlos de carburo de tungsteno	Corte de plásticos, yeso, materiales compuestos
Disco de diamante	Corte de baldosas, cerámicas

Dirección de giro del disco

⚠️ PRECAUCIÓN: Confirme siempre la dirección de giro antes de la operación.

⚠️ PRECAUCIÓN: Utilice el interruptor inversor solamente después de que la herramienta se haya parado completamente. Un cambio brusco en la dirección de giro durante la operación hará que la herramienta se detenga al instante por razones de seguridad.

El giro del disco se puede cambiar en dirección hacia adelante o hacia atrás.

Para establecer el giro hacia adelante, deslice el interruptor inversor hacia la izquierda hasta que aparezca la indicación "F" en el interruptor.

Para seleccionar el giro hacia atrás, deslice el interruptor inversor hacia la derecha hasta que aparezca la indicación "R" en el interruptor.

► **Fig.4:** 1. Interruptor inversor

Las virutas, residuos, chispas, y partículas del corte tienden a salir volando siguiendo una dirección tangencial al giro del disco. Utilice el protector de disco de forma eficaz para que evite que quede expuesto de forma continua a las partículas del corte y que parte del polvo y las partículas del corte salgan en una dirección diferente.

Una reacción a un estancamiento rápido del giro del disco puede hacer que la herramienta no se pueda controlar en la dirección opuesta a la del giro del disco.

Giro hacia adelante

► **Fig.5:** 1. Partículas del corte 2. Reacciones

Giro hacia atrás

► **Fig.6:** 1. Partículas del corte 2. Reacciones

Protector de disco

⚠PRECAUCIÓN: Asegúrese de que el protector de disco esté posicionado correcta y firmemente por detrás del disco de corte antes de iniciar la operación.

Sujete el protector de disco en una posición cómoda, para máxima seguridad y mínima exposición a posibles factores de riesgo, de acuerdo con sus condiciones de trabajo y preferencias.

Posicionamiento hacia delante

► **Fig.7:** 1. Protector de disco 2. Disco de corte

Posicionamiento hacia atrás

► **Fig.8:** 1. Protector de disco 2. Disco de corte

Bloqueo del eje

Presione el bloqueo del eje para impedir que el mandril gire cuando instale y desmonte un disco de corte.

► **Fig.9:** 1. Bloqueo del eje

AVISO: No accione nunca el bloqueo del eje cuando el mandril esté moviéndose. Podrá dañar la herramienta.

Lámpara de operación

⚠PRECAUCIÓN: No mire a la luz ni vea la fuente de luz directamente.

Para encender la lámpara de operación, mantenga presionado el botón de desbloqueo y apriete el gatillo interruptor.

La lámpara se apagará 15 segundos aproximadamente después de soltar el gatillo interruptor.

► **Fig.10:** 1. Lámpara de operación

AVISO: Si la herramienta es utilizada con demasiada carga, la lámpara de operación parpadea. En esta situación, libere el gatillo interruptor, y después reduzca la carga de la herramienta antes de utilizarla otra vez.

AVISO: Cuando la herramienta se recalienta, la lámpara de operación parpadea. En este caso, libere el gatillo interruptor, y después deje enfriar la herramienta/batería antes de utilizarla otra vez.

NOTA: Utilice un paño seco para quitar la suciedad de la lente de la lámpara. Tenga cuidado de no rayar la lente de la lámpara, porque podrá disminuir la iluminación.

Ajuste de la profundidad de corte

⚠PRECAUCIÓN: Después de ajustar la profundidad de corte, apriete siempre el tornillo de palometa firmemente.

Con la cubierta de recogida de polvo instalada, se pueden hacer ajustes precisos en la profundidad de corte hasta 13,5 mm.

Afloje el tornillo de palometa de la escala de profundidad. Levante o baje el mango de la herramienta a una posición para alinear los indicadores de profundidad de la cubierta con la profundidad de corte que desee de la escala. Después apriete el tornillo de palometa.

► **Fig.11:** 1. Tornillo de palometa 2. Escala de profundidad 3. Indicador de profundidad

⚠PRECAUCIÓN: Para cortar de forma limpia y segura, ajuste las profundidades de corte de forma que el disco de corte sobrepase la superficie inferior de la pieza de trabajo 2,0 mm o menos. El ajuste de profundidades de corte apropiadas ayudará a reducir la posibilidad de que se produzcan peligrosos retrocesos bruscos que pueden ocasionar heridas personales.

Guía visual para corte recto

Con la cubierta de recogida de polvo instalada, la operación de corte recto se puede realizar de forma segura alineando el disco de corte hacia la dirección de corte antes de hacer la operación de corte real.

Alinee la ranura guía de la base de la cubierta de recogida de polvo con la línea de corte prevista en la pieza de trabajo.

► **Fig.12:** 1. Muesca guía 2. Base 3. Línea de corte

Conexión de un aspirador

Accesorio opcional

Cuando quiera realizar una operación de corte limpia, conecte un aspirador Makita a la boquilla para polvo de la cubierta de recogida de polvo utilizando un manguito delantero de 22 (accesorio opcional).

► **Fig.13:** 1. Manguito delantero de 22 2. Boquilla para polvo 3. Manguera 4. Aspirador

Función de prevención de reinicio de puesta en marcha accidental

Cuando instale el cartucho de batería mientras esté apretando el gatillo interruptor, la herramienta no se pondrá en marcha.

Para poner en marcha la herramienta, primero suelte el gatillo interruptor. Mantenga presionado el botón de desbloqueo, y después apriete el gatillo interruptor.

Función electrónica

La herramienta está equipada con funciones electrónicas para facilitar su funcionamiento.

- Freno eléctrico
Esta herramienta está equipada con un freno eléctrico. Si la herramienta consistentemente falla en dejar de funcionar rápidamente después de soltar el gatillo interruptor, haga que la herramienta sea servida en un centro de servicio Makita.
- Control de velocidad constante
La función de control de velocidad brinda la velocidad de rotación constante independientemente de las condiciones de carga.
- Tecnología de detección de retroalimentación activa
La herramienta detecta electrónicamente situaciones en las que la muela o accesorio puede estar en riesgo de saltar. En esta situación, la herramienta se apaga automáticamente para prevenir que el mandril siga girando (no evita un retroceso brusco). Para volver a poner en marcha la herramienta, primero apague la herramienta, retire la causa de la repentina caída de la velocidad de giro, y después enciéndala otra vez.

MONTAJE

⚠PRECAUCIÓN: Asegúrese siempre de que la herramienta está apagada y el cartucho de batería retirado antes de realizar cualquier trabajo en la herramienta.

Para guardar la llave hexagonal

Cuando no la esté utilizando, coloque la llave hexagonal como se muestra en la figura para evitar perderla.

► Fig.14: 1. Llave hexagonal

Desmontaje e instalación del disco de corte

⚠PRECAUCIÓN: Utilice solamente la llave hexagonal Makita suministrada para desmontar e instalar un disco de corte.

⚠PRECAUCIÓN: Cuando instale un disco de corte, asegúrese de apretar el perno firmemente.

AVISO: Cuando instale un disco de diamante, para su mejor rendimiento, asegúrese siempre de que las flechas del disco de diamante apunten en la misma dirección que la dirección de giro que quiera.

Para retirar un disco de corte, presione el bloqueo del eje completamente de forma que el disco de corte no pueda girar y utilice la llave hexagonal para aflojar el perno hexagonal hacia la izquierda. Después retire el perno hexagonal, la brida exterior y el disco de corte.

► Fig.15: 1. Bloqueo del eje 2. Llave hexagonal 3. Perno hexagonal 4. Aflojar 5. Apretar

AVISO: Si retira la brida interior, vuelva a ponerla en el mandril con su cara de montaje de disco orientada hacia arriba.

Para instalar un disco de corte, siga el procedimiento de desmontaje a la inversa.

► Fig.16: 1. Perno hexagonal 2. Brida exterior 3. Disco de corte 4. Brida interior 5. Mandril

Instalación y desmontaje de la cubierta de recogida de polvo

⚠PRECAUCIÓN: Asegúrese de que el protector de disco está bloqueado firmemente por el tope dentro de la cubierta de recogida de polvo antes de comenzar la operación.

⚠PRECAUCIÓN: Evite utilizar la cubierta de recogida de polvo para trabajos en metal, que crean calor y hacen saltar chispas, porque las partes de plástico de la cubierta de recogida de polvo se podrán derretir.

La cubierta de recogida de polvo realiza la seguridad y eficiencia de la operación de corte, proporcionando una salvaguarda contra el disco cuando está girando, estabilidad al cortar, control preciso sobre la profundidad de corte, y soluciones para la extracción de polvo, especialmente al cortar baldosas, yeso y cerámica de gres.

Instalación de la cubierta de recogida de polvo

1. Afloje el tornillo de palometa de la escala de profundidad de la cubierta de recogida de polvo. Levante completamente la cubierta, y después apriete el tornillo de palometa para sujetar la cubierta de recogida de polvo en posición levantada.

► Fig.17: 1. Tornillo de palometa 2. Escala de profundidad 3. Cubierta de recogida de polvo

2. Ponga el protector de disco en la herramienta en posición hacia delante.

► Fig.18: 1. Protector de disco

3. Levante el mango de la herramienta ligeramente y ponga la mitad delantera del protector de disco, formando un ángulo, dentro de la cubierta de recogida de polvo, haciendo pasar la parte inferior del disco de corte a través de la ranura para disco de la base.

► Fig.19: 1. Protector de disco 2. Cubierta de recogida de polvo 3. Disco de corte 4. Ranura para disco

4. Instale la mitad trasera del protector de disco en la cubierta de recogida de polvo, mientras baja el mango de la herramienta de la posición levantada a una posición bajada.

► Fig.20: 1. Protector de disco 2. Cubierta de recogida de polvo

5. Levante el mango de la herramienta de nuevo para enganchar el borde trasero del protector de disco sobre el tope dentro de la cubierta de recogida de polvo.

► **Fig.21:** 1. Protector de disco 2. Tope

6. Afloje el tornillo de palometa. Haga oscilar la herramienta hacia arriba y abajo a la profundidad de corte que desee. Después apriete el tornillo de palometa para sujetar la herramienta en su sitio.

Desmontaje de la cubierta de recogida de polvo

1. Afloje el tornillo de palometa de la escala de profundidad de la cubierta de recogida de polvo. Levante completamente el mango de la herramienta, y después apriete el tornillo de palometa para sujetar la cubierta de recogida de polvo en posición levantada.

► **Fig.22:** 1. Tornillo de palometa 2. Escala de profundidad 3. Cubierta de recogida de polvo

2. Deslice la palanca de liberación hacia el tornillo de palometa para desbloquear el protector de disco del tope dentro de la cubierta de recogida de polvo.

► **Fig.23:** 1. Palanca de liberación 2. Tornillo de palometa 3. Protector de disco 4. Cubierta de recogida de polvo 5. Tope

3. Desmonte la mitad trasera del protector de disco de la cubierta de recogida de polvo, mientras baja el mango de la herramienta de la posición levantada a una posición bajada.

► **Fig.24:** 1. Protector de disco 2. Cubierta de recogida de polvo

4. Extraiga la mitad delantera del protector de disco, en un ligero ángulo hacia arriba y hacia afuera, de la cubierta de recogida de polvo.

► **Fig.25:** 1. Protector de disco 2. Cubierta de recogida de polvo

OPERACIÓN

⚠PRECAUCIÓN: Mantenga siempre empuñada firmemente la herramienta durante la operación.

⚠PRECAUCIÓN: No fuerce la herramienta. Si fuerza o ejerce presión excesiva o si permite que el disco se fuerce, se trabo o retuerza en el corte, podrá ocasionar un recalentamiento del motor y un retroceso brusco peligroso de la herramienta.

⚠PRECAUCIÓN: Cuando corte plásticos, asegúrese de no recalentar el disco de corte. Podría resultar en el derretimiento de la pieza de trabajo.

⚠PRECAUCIÓN: No golpee ni choque con fuerza el disco de corte cuando comience la operación ni durante la misma.

⚠PRECAUCIÓN: Póngase siempre gafas de protección o máscara facial durante la operación.

⚠PRECAUCIÓN: Después de la operación, apague siempre la herramienta y espere hasta que el disco se haya parado completamente antes de dejar la herramienta.

Corte hacia abajo

AVISO: Tenga buen cuidado de usar una superficie de corte eficaz del disco para evitar la exposición hacia las partículas producidas durante el corte.

AVISO: Mantenga el disco de corte en posición vertical en la pieza de trabajo y evite inclinar o balancear la herramienta durante la operación.

Posicione el protector de disco correctamente para que proporcione la máxima protección contra las chispas y partículas sueltas arrojadas por el disco de corte.

Ponga la herramienta sobre la pieza de trabajo sin que el disco de corte haga ningún contacto. Encienda la herramienta y espere hasta que el disco de corte adquiera plena velocidad. Después baje despacio la herramienta sobre la superficie de la pieza de trabajo, ejerciendo un avance moderado apropiado para sus tareas.

Giro hacia adelante

► **Fig.26**

Giro hacia atrás

► **Fig.27**

Corte recto

⚠PRECAUCIÓN: Asegúrese de que el disco de corte trabaje siempre en un movimiento de amolado ascendente. De lo contrario, podrá ocasionar que la herramienta sea empujada sin control fuera del corte.

AVISO: Mantenga su línea de corte en línea recta y aplique una presión estable para obtener un corte uniforme a lo largo de la pieza de trabajo.

Ponga la placa base de la cubierta de recogida de polvo sobre la pieza de trabajo a cortar sin que el disco de corte haga ningún contacto. Encienda la herramienta y espere hasta que el disco de corte adquiera plena velocidad. Después mueva despacio la herramienta sobre la superficie de la pieza de trabajo, manteniéndola plana y avanzando suavemente hasta completar el corte.

Selección el giro hacia atrás para corte empujando, y el giro hacia adelante para corte tirando.

Corte empujando en giro hacia atrás

► **Fig.28**

Corte tirando en giro hacia adelante

► **Fig.29**

NOTA: Sea consciente de que la cubierta de recogida de polvo tiende a funcionar con menos eficiencia en corte tirando ya que algunas partículas del corte se esparcen dentro de la cubierta en sentido contrario al flujo de extracción de polvo.

MANTENIMIENTO

⚠ PRECAUCIÓN: Asegúrese siempre de que la herramienta está apagada y de que el cartucho de batería está retirado antes de intentar hacer una inspección o mantenimiento.

AVISO: No utilice nunca gasolina, bencina, disolvente, alcohol o similares. Podría producir descoloración, deformación o grietas.

Para mantener la SEGURIDAD y FIABILIDAD del producto, las reparaciones, y cualquier otra tarea de mantenimiento o ajuste deberán ser realizadas en centros de servicio o de fábrica autorizados por Makita, empleando siempre repuestos Makita.

Reacondicionamiento del disco de diamante

Si la acción de corte del disco de diamante empieza a disminuir, utilice una muela de rectificar de grano grueso vieja o un bloque de cemento para reacondicionar el disco de diamante. Para hacer esto, sujete firmemente la muela de rectificar o el bloque de cemento y corte en él.

Después de la utilización

Limpie el polvo del interior de la herramienta dejando funcionar la herramienta sin carga durante un rato. La acumulación de polvo en el motor puede ocasionar un mal funcionamiento de la herramienta.

Limpieza del protector de disco y de la cubierta de recogida de polvo

Limpie el interior del protector de disco y de la cubierta de recogida de polvo a intervalos regulares. Sople o retire cualquier suciedad o polvo acumulado en ellos.

► **Fig.30:** 1. Protector de disco 2. Cubierta de recogida de polvo

Limpieza de las aberturas de ventilación

Limpie los orificios de ventilación de la herramienta a intervalos regulares para una circulación de aire sin problemas. Retire la cubierta para polvo de la abertura de entrada de aire y límpiela siempre que se ensucie y se obstruya.

► **Fig.31:** 1. Guardapolvo 2. Abertura de entrada de aire

ACCESORIOS OPCIONALES

⚠ PRECAUCIÓN: Estos accesorios o aditamentos están recomendados para su uso con la herramienta Makita especificada en este manual. El uso de cualquier otro accesorio o aditamento puede suponer un riesgo de heridas personales. Utilice el accesorio o aditamento solamente con la finalidad indicada para el mismo.

Si necesita cualquier ayuda para más detalles en relación con estos accesorios, pregunte al centro de servicio Makita local.

- Disco de corte
- Disco de diamante
- Disco de gránulos de carburo de tungsteno
- Llave hexagonal
- Batería y cargador genuinos de Makita

NOTA: Algunos elementos de la lista podrán estar incluidos en el paquete de la herramienta como accesorios estándar. Pueden variar de un país a otro.

ESPECIFICAÇÕES

Modelo:	DMC300	
Diâmetro exterior do disco	76 mm	
Diâmetro (do eixo) interior do disco	10,0 mm/9,5 mm (3/8") (específico do país)	
Espessura máx. do disco	1,0 mm	
Capacidades máx. de corte	Com tampa de recolha de pó	13,5 mm
	Sem tampa de recolha de pó	16,0 mm
Velocidade nominal (n) / Velocidade sem carga (n ₀)	20.000 min ⁻¹	
Comprimento total	271 mm *1	
Tensão nominal	C.C. 18 V	
Peso líquido	1,2 - 1,7 kg	

*1. Com bateria (BL1860B)/Sem tampa de recolha de pó

- Devido a um programa contínuo de pesquisa e desenvolvimento, estas especificações estão sujeitas a alteração sem aviso prévio.
- As especificações e a bateria podem variar de país para país.
- O peso poderá diferir em função do acessório(s), incluindo a bateria. A combinação mais leve e mais pesada, de acordo com o Procedimento EPTA 01/2014, é apresentada na tabela.

Bateria e carregador aplicável

Bateria	BL1815N / BL1820B / BL1830B / BL1840B / BL1850B / BL1860B
Carregador	DC18RC / DC18RD / DC18RE / DC18SD / DC18SE / DC18SF / DC18SH / DC18WC

- Algumas das baterias e carregadores listados acima poderão não estar disponíveis, dependendo da sua região de residência.

AVISO: Utilize apenas as baterias e carregadores listados acima. A utilização de quaisquer outras baterias e carregadores pode causar ferimentos e/ou um incêndio.

Utilização a que se destina

A ferramenta destina-se a cortar uma chapa, um encaixe, um tubo, um ladrilho ou uma parede em metal, plástico, cerâmica, gesso e materiais compostos similares sem utilização de água.

Ruído

A característica do nível de ruído A determinado de acordo com a EN60745-2-22:

Nível de pressão acústica (L_{PA}): 88 dB (A)

Nível de potência acústica (L_{WA}): 99 dB (A)

Variabilidade (K): 3 dB (A)

NOTA: O(s) valor(es) da emissão de ruído indicado(s) foi medido de acordo com um método de teste padrão e pode ser utilizado para comparar duas ferramentas.

NOTA: O(s) valor(es) da emissão de ruído indicado(s) pode também ser utilizado na avaliação preliminar da exposição.

AVISO: Utilize protetores auriculares.

AVISO: A emissão de ruído durante a utilização real da ferramenta elétrica pode diferir do(s) valor(es) indicado(s), dependendo das formas como a ferramenta é utilizada, especialmente o tipo de peça de trabalho que é processada.

AVISO: Certifique-se de identificar as medidas de segurança para proteção do operador que sejam baseadas em uma estimativa de exposição em condições reais de utilização (considerando todas as partes do ciclo de operação, tal como quando a ferramenta está desligada e quando está a funcionar em marcha lenta além do tempo de acionamento).

Vibração

Valor total da vibração (soma vetorial tri-axial) determinado de acordo com a EN60745-2-22:

Modo de trabalho: corte de cimento (espessura de 5 mm)

Emissão de vibração (a_h): 3,0 m/s²

Variabilidade (K): 1,5 m/s²

NOTA: O(s) valor(es) total(ais) de vibração indicado(s) foi medido de acordo com um método de teste padrão e pode ser utilizado para comparar duas ferramentas.

NOTA: O(s) valor(es) total(ais) de vibração indicado(s) pode também ser utilizado na avaliação preliminar da exposição.

⚠AVISO: A emissão de vibração durante a utilização real da ferramenta elétrica pode diferir do(s) valor(es) indicado(s), dependendo das formas como a ferramenta é utilizada, especialmente o tipo de peça de trabalho que é processada.

⚠AVISO: Certifique-se de identificar as medidas de segurança para proteção do operador que sejam baseadas em uma estimativa de exposição em condições reais de utilização (considerando todas as partes do ciclo de operação, tal como quando a ferramenta está desligada e quando está a funcionar em marcha lenta além do tempo de acionamento).

Declarações de conformidade

Apenas para os países europeus

As Declarações de conformidade estão incluídas no Anexo A deste manual de instruções.

AVISOS DE SEGURANÇA

Avisos gerais de segurança para ferramentas elétricas

⚠AVISO Leia todos os avisos de segurança, instruções, ilustrações e especificações fornecidos com esta ferramenta elétrica. O incumprimento de todas as instruções abaixo enumeradas pode resultar em choque elétrico, incêndio e/ou ferimentos graves.

Guarde todos os avisos e instruções para futuras referências.

O termo "ferramenta elétrica" nos avisos refere-se às ferramentas elétricas ligadas à corrente elétrica (com cabo) ou às ferramentas elétricas operadas por meio de bateria (sem cabo).

Avisos de segurança da cortadora angular

1. **A proteção fornecida com a ferramenta deve ser colocada firmemente na ferramenta elétrica e posicionada para segurança máxima, para que o mínimo de disco fique exposto em direção ao operador. Posicione-se a si e às pessoas presentes longe do plano do disco rotativo.** A proteção ajuda a proteger o operador de fragmentos de disco partido e do contacto acidental com o disco.
2. **Utilize apenas discos de corte unidos reforçados ou diamantados na ferramenta elétrica.** O facto de um acessório poder ser instalado na ferramenta elétrica não garante um funcionamento com segurança.

3. **A velocidade nominal do acessório deve ser, pelo menos, igual à velocidade máxima marcada na ferramenta elétrica.** Os acessórios que funcionam mais rápido do que a velocidade nominal podem partir-se e ser arremessados.
4. **Os discos devem ser usados somente para as aplicações recomendadas. Por exemplo: não triture com a parte lateral do disco de corte.** Os discos de corte abrasivos servem para trituração periférica, as forças laterais aplicadas a estes discos podem fazer com que eles se estilhem.
5. **Utilize sempre flanges de disco não danificadas de diâmetro correto para o disco selecionado.** As flanges apropriadas apoiam o disco, reduzindo a possibilidade de quebra do mesmo.
6. **Não utilize discos reforçados desgastados de ferramentas elétricas maiores.** Os discos concebidos para ferramentas elétricas maiores não são apropriados para a velocidade mais elevada de uma ferramenta menor e podem rebentar.
7. **O diâmetro externo e a espessura do acessório devem estar dentro da classificação da capacidade da ferramenta elétrica.** Não é possível proteger ou controlar acessórios de tamanho incorreto.
8. **O tamanho do orifício de encaixe dos discos e flanges deve ser adequado ao veio da ferramenta elétrica.** Os discos e flanges com orifícios da haste que não correspondem ao hardware de montagem da ferramenta elétrica ficam desequilibrados, vibram excessivamente e podem causar a perda de controlo.
9. **Não utilize discos danificados. Antes de cada utilização, examine os discos a fim de verificar se há fissuras e rachaduras. Se a ferramenta elétrica ou o disco cair, verifique se o disco está danificado ou instale um disco novo. Depois de inspecionar e instalar o disco, certifique-se de que os espetadores, bem como você mesmo, ficam afastados da área do disco rotativo e faça funcionar a ferramenta elétrica em vazio, à velocidade máxima, durante um minuto.** Normalmente, os discos danificados partem-se durante este teste.
10. **Use equipamento de proteção pessoal. Utilize sempre proteção auditiva. Dependendo da aplicação, utilize um protetor facial, óculos de segurança ou óculos de proteção. Conforme apropriado, utilize máscara antipoeira, luvas e avental de oficina capazes de travar pequenos fragmentos abrasivos ou fragmentos da peça de trabalho.** A proteção ocular tem de ter capacidade para travar os resíduos projetados gerados por várias operações. A máscara antipoeira ou o respirador tem de ter capacidade para filtrar as partículas geradas pelo funcionamento. A exposição prolongada a ruídos de alta intensidade pode provocar perda auditiva.
11. **Mantenha os espetadores afastados da área de trabalho, a uma distância segura. Todas as pessoas que entram na área de trabalho devem utilizar equipamentos de proteção pessoal.** Os fragmentos da peça de trabalho ou de um disco partido podem ser atirados para além da área imediata da operação e causar ferimentos.

12. **Agarre na ferramenta elétrica somente pelas superfícies das pegas isoladoras quando executar uma operação em que o acessório de corte possa entrar em contacto com fios ocultos.** O contacto do acessório de corte com um fio com corrente pode carregar as partes metálicas expostas da ferramenta elétrica e causar um choque elétrico no operador.
13. **Nunca pouse a ferramenta elétrica antes de o acessório parar completamente.** O disco em rotação pode prender na superfície e puxar a ferramenta elétrica, causando a perda de controlo.
14. **Não faça a ferramenta elétrica funcionar enquanto a carrega ao seu lado.** O contacto accidental com o acessório em rotação pode prender a sua roupa e puxar o acessório na direção do seu corpo.
15. **Limpe regularmente os orifícios de ventilação da ferramenta elétrica.** A ventoinha do motor atrai o pó para dentro da caixa e a acumulação excessiva de metal pulverizado pode causar choque elétrico.
16. **Não utilize a ferramenta elétrica perto de materiais inflamáveis.** As faíscas podem incendiar esses materiais.
17. **Não utilize acessórios que requerem refrigerantes líquidos.** A utilização de água ou outros refrigerantes líquidos pode resultar em choque ou eletrocussão.
4. **Tenha todo o cuidado quando trabalhar cantos, extremidades aguçadas, etc. Evite balouçar e bater no acessório.** Os cantos, as extremidades aguçadas ou os ressaltos tendem a prender o acessório rotativo e causar perda de controlo ou recuo.
5. **Não coloque uma corrente de serra, um lâmina para esculpir madeira, um disco diamantado segmentado com um intervalo periférico superior a 10 mm ou uma lâmina de serra dentada.** Estas lâminas criam recuos frequentes e perda de controlo.
6. **Não bloqueie o disco nem exerça pressão excessiva. Não tente efetuar um corte muito profundo.** Sujeitar o disco a esforço excessivo aumenta a carga e a suscetibilidade de torção ou encravamento do disco no corte e a possibilidade de recuo ou quebra do disco.
7. **Se o disco ficar preso ou se interromper o corte por qualquer motivo, desligue a ferramenta elétrica e segure-a imóvel até o disco parar completamente. Nunca tente retirar o disco do corte enquanto ainda estiver em rotação, caso contrário poderá ocorrer um recuo.** Verifique e tome as medidas corretivas para eliminar a causa do encravamento do disco.
8. **Não reinicie a operação de corte na peça de trabalho. Aguarde até que o disco atinja a velocidade máxima e coloque-o cuidadosamente no corte.** O disco pode encravar, saltar ou recuar se ligar a ferramenta elétrica quando ela estiver em contacto com a peça de trabalho.

Avisos sobre recuos e outros avisos relacionados

O recuo é uma reação repentina a um disco rotativo que fica bloqueado ou encravado. O bloqueio ou encravamento causa a paragem imediata do disco rotativo que, por sua vez, faz com que a ferramenta elétrica fora de controlo seja forçada na direção oposta à da rotação do disco, no momento que fica preso.

Por exemplo, se um disco abrasivo ficar encravado ou bloqueado na peça de trabalho, a borda do disco que está a entrar no ponto onde bloqueou pode entrar na superfície do material fazendo com que o disco salte ou provoque um contragolpe. O disco pode pular na direção do operador ou na direção oposta, dependendo do sentido do movimento do disco no ponto onde ficou preso. Os discos abrasivos também podem partir nessas condições.

O recuo é o resultado da utilização imprópria da ferramenta elétrica e/ou de procedimentos ou condições de funcionamento incorretos e pode ser evitado tomando-se as medidas de precaução adequadas, como indicado abaixo.

1. **Segure a ferramenta elétrica com firmeza e posicione-se de tal forma que o seu corpo e braço lhe permitam resistir à força do recuo.** Utilize sempre a pega auxiliar, se fornecida, para um controlo máximo do recuo ou da reação do binário durante o arranque. O operador pode controlar as reações do binário ou as forças do recuo se tomar as precauções necessárias.
2. **Nunca coloque a sua mão próxima do acessório rotativo.** O acessório pode recuar sobre a sua mão.
3. **Não posicione o seu corpo alinhado com o disco rotativo.** O recuo impulsionará a ferramenta na direção oposta à do movimento do disco no ponto onde fica preso.

9. **Apoie painéis ou peças de trabalho muito grandes para minimizar o risco do disco prender e causar um recuo.** As peças de trabalho grandes tendem a ceder sob o seu próprio peso. Os apoios devem ser colocados debaixo da peça de trabalho, perto da linha de corte e da borda da peça de trabalho, nos dois lados do disco.
10. **Tenha cuidado especialmente ao fazer um “corte penetrante” em paredes ou outras áreas desconhecidas.** O disco exposto pode cortar canos de gás ou de água, cablagens elétricas ou outros objetos que podem causar recuo.
11. **Antes de utilizar um disco diamantado segmentado, certifique-se de que o disco diamantado tem um intervalo periférico entre segmentos de 10 mm ou menos, apenas com um ângulo de inclinação negativo.**

Avisos de segurança adicionais:

1. **Nunca tente cortar com a ferramenta virada ao contrário num torno.** Isso pode provocar acidentes graves, porque é extremamente perigoso.
2. **Verifique se a peça de trabalho está suportada adequadamente.**
3. **Algum material contém químicos que podem ser tóxicos. Tenha cuidado para evitar a inalação de pó e o contacto com a pele. Siga a ficha de dados de segurança do fornecedor do material.**
4. **Armazene os discos de acordo com as recomendações do fabricante.** Um armazenamento inadequado pode danificar os discos.

GUARDE ESTAS INSTRUÇÕES.

⚠AVISO: NÃO permita que o conforto ou familiaridade com o produto (adquirido com o uso repetido) substitua o cumprimento estrito das regras de segurança da ferramenta. A **MÁ INTERPRETAÇÃO** ou o não seguimento das regras de segurança estabelecidas neste manual de instruções pode provocar ferimentos pessoais graves.

Instruções de segurança importantes para a bateria

1. Antes de utilizar a bateria, leia todas as instruções e etiquetas de precaução no (1) carregador de bateria (2) bateria e (3) produto que utiliza a bateria.
2. Não desmonte ou manipule a bateria. Pode resultar num incêndio, em calor excessivo ou numa explosão.
3. Se o tempo de funcionamento se tornar excessivamente curto, pare o funcionamento imediatamente. Pode resultar em sobreaquecimento, possíveis queimaduras e mesmo explosão.
4. Se entrar eletrólito nos seus olhos, lave-os com água e consulte imediatamente um médico. Pode resultar em perda de visão.
5. Não coloque a bateria em curto-circuito:
 - (1) Não toque nos terminais com qualquer material condutor.
 - (2) Evite guardar a bateria juntamente com outros objetos metálicos tais como pregos, moedas, etc.
 - (3) Não exponha a bateria à água ou chuva. Um curto-circuito pode ocasionar um enorme fluxo de corrente, sobreaquecimento, possíveis queimaduras e mesmo estragar-se.
6. Não guarde nem utilize a ferramenta e a bateria em locais onde a temperatura pode atingir ou exceder 50 °C.
7. Não queime a bateria mesmo que esteja estragada ou completamente gasta. A bateria pode explodir no fogo.
8. Não preegue, corte, esmague, atire, deixe cair a bateria, nem bata a bateria contra um objeto rijo. Esta conduta pode resultar num incêndio, em calor excessivo ou numa explosão.
9. Não utilize uma bateria danificada.
10. As baterias de íões de lítio contidas na ferramenta são sujeitas aos requisitos da DGL (Dangerous Goods Legislation - Legislação de bens perigosos).

Para o transporte comercial, por exemplo, por terceiros ou agentes de expedição, têm de ser observados os requisitos referentes à embalagem e etiquetagem.

Para preparação do artigo a ser expedido, é necessário consultar um perito em materiais perigosos. Tenha ainda em conta a possibilidade de existirem regulamentos nacionais mais detalhados.

Coloque fita-cola ou tape os contactos abertos e embale a bateria de tal forma que não possa mover-se dentro da embalagem.

11. Quando eliminar a bateria, remova-a da ferramenta e elimine-a num local seguro. Siga os regulamentos locais relacionados com a eliminação de baterias.
12. Utilize as baterias apenas com os produtos especificados pela Makita. Instalar as baterias em produtos não-conformes poderá resultar num incêndio, calor excessivo, explosão ou fuga de eletrólito.
13. Se a ferramenta não for utilizada durante um período de tempo prolongado, a bateria deve ser removida da ferramenta.
14. Durante e após a utilização, a bateria pode aquecer, o que pode provocar queimaduras ou queimaduras a baixa temperatura. Preste atenção ao manuseamento de baterias quentes.
15. Não toque no terminal da ferramenta imediatamente após a utilização, pois pode ficar suficientemente quente para provocar queimaduras.
16. Não permita a adesão de aparas, pó ou sujidade nos terminais, nos orifícios e nas ranhuras da bateria. Poderá fazer com que a ferramenta ou a bateria aqueça, incendeie, rebente e avarie, resultando em queimaduras ou ferimentos corporais.
17. A menos que a ferramenta suporte a utilização perto de linhas elétricas de alta tensão, não utilize a bateria perto de linhas elétricas de alta tensão. Pode resultar no mau funcionamento ou na avaria da ferramenta ou bateria.
18. Mantenha a bateria afastada das crianças.

GUARDE ESTAS INSTRUÇÕES.

⚠PRECAUÇÃO: Utilize apenas baterias genuínas da Makita. A utilização de baterias não genuínas da Makita ou de baterias que foram alteradas, pode resultar no rebotamento da bateria provocando incêndios, ferimentos pessoais e danos. Além disso, anulará a garantia da Makita no que se refere à ferramenta e ao carregador Makita.

Conselhos para manter a máxima vida útil da bateria

1. Carregue a bateria antes que esteja completamente descarregada. Pare sempre o funcionamento da ferramenta e carregue a bateria quando notar menos poder na ferramenta.
2. Nunca carregue uma bateria completamente carregada. Carregamento excessivo diminui a vida útil da bateria.
3. Carregue a bateria à temperatura ambiente de 10 °C – 40 °C. Deixe que uma bateria quente arrefeça antes de a carregar.
4. Quando não utilizar a bateria, remova-a da ferramenta ou do carregador.
5. Carregue a bateria se não a utilizar durante um longo período de tempo (mais de seis meses).

DESCRIÇÃO FUNCIONAL

⚠️ PRECAUÇÃO: Certifique-se sempre de que a ferramenta está desligada e a bateria foi retirada antes de regular ou verificar qualquer função na ferramenta.

Instalação ou remoção da bateria

⚠️ PRECAUÇÃO: Desligue sempre a ferramenta antes de colocar ou retirar a bateria.

⚠️ PRECAUÇÃO: Segure firmemente a ferramenta e a bateria quando instalar ou remover a bateria. Se não segurar firmemente a ferramenta e a bateria pode fazer com que escorreguem das suas mãos resultando em danos na ferramenta e na bateria e ferimentos pessoais.

► Fig.1: 1. Indicador vermelho 2. Botão 3. Bateria

Para retirar a bateria, deslize-a para fora da ferramenta enquanto desliza o botão na frente da bateria.

Para instalar a bateria, alinhe a lingueta na bateria com a ranhura na caixa e deslize-a para a posição correta. Insira-a por completo até bloquear na posição correta com um pequeno clique. Se conseguir ver o indicador vermelho conforme apresentado na figura, não está completamente bloqueada.

⚠️ PRECAUÇÃO: Instale sempre a bateria até ao fim, até deixar de ver o indicador vermelho. Caso contrário, a bateria poderá cair da ferramenta acidentalmente e provocar ferimentos em si mesmo ou em alguém próximo.









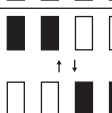
⚠️ PRECAUÇÃO: Não instale a bateria à força. Se a bateria não deslizar facilmente é porque não foi colocada corretamente.

Indicação da capacidade restante da bateria

Apenas para baterias com indicador

► Fig.2: 1. Luzes indicadoras 2. Botão de verificação

Prima o botão de verificação na bateria para indicar a capacidade restante da bateria. As luzes indicadoras acendem durante alguns segundos.

Luzes indicadoras			Capacidade restante
 Aceso	 Apagado	 A piscar	
			75% a 100%
			50% a 75%
			25% a 50%
			0% a 25%
			Carregar a bateria.
			A bateria pode estar avariada.

NOTA: Dependendo das condições de utilização e da temperatura ambiente, a indicação pode ser ligeiramente diferente da capacidade real.

NOTA: A primeira luz indicadora (extremo esquerdo) pisca quando o sistema de proteção da bateria funciona.

Sistema de proteção da ferramenta/bateria

A ferramenta está equipada com um sistema de proteção da ferramenta/bateria. Este sistema corta automaticamente a corrente ao motor para prolongar a vida útil da ferramenta e da bateria. A ferramenta para automaticamente durante o funcionamento se a ferramenta ou a bateria se encontrarem numa das seguintes condições. Nalgumas condições, a luz indicadora acende.

Proteção contra sobrecarga

Quando a ferramenta/bateria for operada de uma forma que cause a absorção de uma corrente anormalmente elevada, a ferramenta para automaticamente e a lâmpada de operação pisca. Nesta situação, desligue a ferramenta e pare a aplicação que causou a sobrecarga da ferramenta. Em seguida, ligue a ferramenta para reiniciar.

Proteção contra sobreaquecimento

Quando a ferramenta/bateria estiver sobreaquecida, a ferramenta para automaticamente e a lâmpada de operação pisca. Nesta situação, deixe a ferramenta arrefecer antes de ligar novamente a ferramenta.

Proteção contra descarga excessiva

Quando a capacidade da bateria ficar fraca, a ferramenta para automaticamente. Se a ferramenta não funcionar em conjunto com a operação do interruptor, remova a bateria da ferramenta e carregue-a.

Proteções contra outras causas

O sistema de proteção foi também concebido para outras causas que possam danificar a ferramenta e permite à ferramenta parar automaticamente. Tome todas as medidas que se seguem para eliminar as causas quando a ferramenta tiver parado ou interrompido temporariamente a operação.

1. Desligue a ferramenta e, em seguida, volte a ligá-la para reiniciar.
2. Carregue a(s) bateria(s) ou substitua-a(s) por bateria(s) recarregada(s).
3. Deixe a ferramenta e a(s) bateria(s) arrefecerem.

Se não for possível constatar qualquer melhoria através do restauro do sistema de proteção, contacte o centro de assistência Makita local.

Ação do interruptor

⚠️ AVISO: NUNCA utilize a ferramenta se ela funcionar quando puxa simplesmente o gatilho sem ter de premir o botão de desbloqueio. Um gatilho com necessidade de reparação pode resultar em funcionamento não intencional e em ferimentos pessoais graves. Entregue a ferramenta num centro de assistência Makita para receber as reparações adequadas ANTES de voltar a utilizá-la.

⚠️ AVISO: NUNCA anule a função do botão de desbloqueio dando-lhe uma pancada ou por qualquer outro meio. Um gatilho com um botão de desbloqueio a funcionar inadequadamente pode resultar em funcionamento não intencional e em ferimentos pessoais graves.

⚠️ PRECAUÇÃO: Antes de colocar a bateria na ferramenta, verifique sempre se o gatilho do interruptor funciona corretamente e volta para a posição "OFF" quando libertado.

⚠️ PRECAUÇÃO: Não puxe o gatilho do interruptor com força sem premir o botão de desbloqueio. Tal pode provocar a quebra do interruptor.

⚠️ PRECAUÇÃO: A ferramenta começa a travar a rotação do disco imediatamente após soltar o gatilho do interruptor. Segure a ferramenta firmemente para responder à reação do travão quando soltar o gatilho do interruptor. A reação súbita pode causar a queda da ferramenta da sua mão e provocar ferimentos pessoais.

Para evitar que o gatilho do interruptor seja puxado acidentalmente, existe um botão de desbloqueio. Para arrancar a ferramenta, pressione e mantenha pressionado o botão de desbloqueio e, em seguida, puxe o gatilho do interruptor. Solte o gatilho do interruptor para parar.

► Fig.3: 1. Gatilho 2. Botão de desbloqueio

Seleção do disco

⚠️ PRECAUÇÃO: A velocidade nominal do acessório deve ser, pelo menos, igual à velocidade máxima marcada na ferramenta elétrica. Os acessórios que funcionam mais rápido do que a velocidade nominal podem partir-se e ser arremessados.

⚠️ PRECAUÇÃO: Os discos devem ser usados somente para as aplicações recomendadas.

Selecione um dos tipos mais adequados de discos de corte de acordo com a sua aplicação.

Tipo de disco	Aplicações práticas
Disco de corte	Corte de aço, aço inoxidável e metais
Disco de grão em carboneto de tungsténio	Corte de plásticos, gesso e materiais compostos
Disco diamantado	Corte de azulejos e cerâmica

Sentido de rotação do disco

⚠️ PRECAUÇÃO: Verifique sempre a direção de rotação antes da operação.

⚠️ PRECAUÇÃO: Utilize o interruptor de inversão apenas após a ferramenta estar completamente parada. Uma mudança súbita no sentido de rotação durante a operação provoca a paragem repentina da ferramenta por motivos de segurança.

A rotação do disco pode ser alterada tanto no sentido para a frente como no sentido inverso.

Para definir a rotação para a frente, deslize o interruptor de inversão para a esquerda até a indicação "F" aparecer no interruptor.

Para selecionar a rotação inversa, deslize o interruptor de inversão para a direita até a indicação "R" aparecer no interruptor.

► Fig.4: 1. Interruptor de inversão

As aparas, os resíduos, as faíscas e as partículas de corte tendem a ser projetados ao longo de um sentido tangente da rotação do disco. Utilize o resguardo do disco eficazmente para evitar a exposição continuada em direção a partículas de corte para que este possa ejetar parte do pó e das partículas de corte num sentido alternativo.

Uma reação a uma rápida paragem do disco de rotação pode fazer com que a ferramenta fique descontrolada no sentido contrário à rotação do disco.

Rotação para a frente

► Fig.5: 1. Partículas de corte 2. Reações

Rotação inversa

► Fig.6: 1. Partículas de corte 2. Reações

Resguardo do disco

⚠️ PRECAUÇÃO: Certifique-se de que o resguardo do disco está correta e firmemente posicionado atrás do disco de corte antes da operação.

Fixe o resguardo do disco numa posição confortável, para a máxima segurança e a mínima exposição a possíveis fatores de risco, de acordo com as condições e preferências de trabalho.

Posicionamento para a frente

► Fig.7: 1. Resguardo do disco 2. Disco de corte

Posicionamento para trás

► Fig.8: 1. Resguardo do disco 2. Disco de corte

Bloqueio do eixo

Pressione o bloqueio do eixo para impedir a rotação do eixo quando instalar e remover um disco de corte.

► Fig.9: 1. Bloqueio do eixo

OBSERVAÇÃO: Nunca acione o bloqueio do eixo quando o eixo estiver em movimento. A ferramenta pode ficar danificada.

Lâmpada de operação

⚠️ PRECAUÇÃO: Não olhe para a luz ou para a fonte de iluminação diretamente.

Para ligar a lâmpada de operação, prima e mantenha premido o botão de desbloqueio e puxe o gatilho do interruptor.

A lâmpada apaga-se aproximadamente 15 segundos após a libertação do gatilho do interruptor.

► **Fig.10:** 1. Lâmpada de operação

OBSERVAÇÃO: Quando a ferramenta é operada com uma carga excessiva, a lâmpada de operação pisca. Nesta situação, solte o gatilho do interruptor e, em seguida, reduza a carga na ferramenta antes de voltar a operar.

OBSERVAÇÃO: Quando a ferramenta estiver sobreaquecida, a lâmpada de operação pisca. Neste caso, solte o gatilho do interruptor e, em seguida, arrefeça a ferramenta/bateria antes de voltar a operar.

NOTA: Utilize um pano seco para limpar a sujidade da lente da lâmpada. Tenha cuidado para não riscar a lente da lâmpada ou a iluminação pode ficar enfraquecida.

Regulação da profundidade do corte

⚠️ PRECAUÇÃO: Após ajustar a profundidade de corte, aperte sempre firmemente o parafuso de orelhas.

Com a tampa de recolha de pó instalada, é possível efetuar pequenos ajustes na profundidade de corte até 13,5 mm.

Solte o parafuso de orelhas na régua de profundidade. Suba ou desça a pega da ferramenta para uma posição de alinhamento dos indicadores de profundidade na tampa com a profundidade de corte pretendida na régua. Em seguida, aperte o parafuso de orelhas.

► **Fig.11:** 1. Parafuso de orelhas 2. Régua de profundidade 3. Indicador de profundidade

⚠️ PRECAUÇÃO: Para obter um corte limpo e seguro, defina as profundidades de corte de modo que um disco de corte ultrapasse a superfície inferior da peça de trabalho em 2,0 mm ou menos. A definição de profundidades de corte adequadas ajuda a reduzir o potencial de recuos perigosos que podem provocar ferimentos pessoais.

Ter em vista o corte reto

Com a tampa de recolha de pó instalada, é possível efetuar uma operação de corte reto de forma segura alinhando o disco de corte em direção ao sentido de corte antes da efetiva operação de corte.

Alinhe o entalhe de guia na base da tampa de recolha de pó com a linha de corte pretendida na peça de trabalho.

► **Fig.12:** 1. Entalhe de guia 2. Base 3. Linha de corte

Ligar um aspirador

Acessório opcional

Quando pretender efetuar uma operação de corte limpa, ligue um aspirador da Makita ao bocal do pó na tampa de recolha de pó utilizando bairns frontais 22 (acessório opcional).

► **Fig.13:** 1. Bainhas frontais 22 2. Bocal do pó 3. Mangueira 4. Aspirador

Função de prevenção de reinício acidental

Quando instala a bateria enquanto puxa o gatilho do interruptor, a ferramenta não arranca.

Para arrancar a ferramenta, solte primeiro o gatilho do interruptor. Pressione e mantenha pressionado o botão de desbloqueio e, em seguida, puxe o gatilho do interruptor.

Função eletrónica

A ferramenta está equipada com as funções eletrónicas para fácil operação.

- **Travão elétrico**
Esta ferramenta está equipada com um travão elétrico. Se a ferramenta consistentemente não deixar de funcionar rapidamente após a libertação do gatilho do interruptor, solicite a reparação da ferramenta num centro de assistência da Makita.
- **Controlo constante da velocidade**
A função de controlo da velocidade assegura a velocidade constante da rotação independentemente das condições de carga.
- **Tecnologia de deteção de retorno ativa**
A ferramenta deteta eletronicamente as situações em que a roda ou acessório possam estar em risco de dobrar. Quando está nessa situação, a ferramenta desliga-se automaticamente para impedir que o eixo gire mais (não impede o ressalto).
Para reiniciar a ferramenta, primeiro desligue-a, remova a causa da queda brusca na velocidade de rotação e volte a ligar a ferramenta.

MONTAGEM

⚠️ PRECAUÇÃO: Certifique-se sempre de que a ferramenta está desligada e a bateria retirada antes de executar qualquer trabalho na ferramenta.

Armazenamento da chave hexagonal

Quando não a estiver a utilizar, guarde a chave hexagonal como indicado na figura para não a perder.

► **Fig.14:** 1. Chave hexagonal

Remover e instalar um disco de corte

⚠️ PRECAUÇÃO: Utilize apenas a chave hexagonal da Makita fornecida para remover e instalar um disco de corte.

⚠️ PRECAUÇÃO: Quando instalar um disco de corte, certifique-se de que aperta firmemente o perno.

OBSERVAÇÃO: Quando instalar um disco diamantado para o seu melhor desempenho, certifique-se sempre de que as setas no disco diamantado apontam no mesmo sentido que a rotação de disco pretendida.

Para remover um disco de corte, pressione o bloqueio do eixo totalmente de modo que o disco de corte não possa rodar e utilize a chave hexagonal para soltar o perno hexagonal para a esquerda. Em seguida, remova o perno hexagonal, a flange exterior e o disco de corte.

► **Fig.15:** 1. Bloqueio do eixo 2. Chave hexagonal 3. Perno hexagonal 4. Soltar 5. Apertar

OBSERVAÇÃO: Se a flange interior for removida, volte a colocá-la no eixo com a respetiva peça de montagem do disco voltada para cima.

Para instalar um disco de corte, siga o procedimento de remoção pela ordem inversa.

► **Fig.16:** 1. Perno hexagonal 2. Flange exterior 3. Disco de corte 4. Flange interior 5. Eixo

Instalar e remover a tampa de recolha de pó

⚠️ PRECAUÇÃO: Certifique-se de que o resguardo do disco está firmemente bloqueado pelo batente no interior da tampa de recolha de pó antes da operação.

⚠️ PRECAUÇÃO: Evite utilizar a tampa de recolha de pó para metalurgia que cria aquecimentos e faíscas projetadas, uma vez que tal pode danificar os componentes em plástico da tampa de recolha de pó.

A tampa de recolha de pó potencia uma operação de corte segura e eficiente, proporcionando uma proteção contra o disco rotativo, estabilidade de corte, controlo preciso sobre a profundidade de corte, e soluções de extração de pó, especialmente em cortes de azulejos, gesso e grés.

Instalar a tampa de recolha de pó

1. Solte o parafuso de orelhas na régua de profundidade da tampa de recolha de pó. Levante a tampa totalmente e, em seguida, aperte o parafuso de orelhas para fixar a tampa de recolha de pó numa posição levantada.

► **Fig.17:** 1. Parafuso de orelhas 2. Régua de profundidade 3. Tampa de recolha de pó

2. Coloque o resguardo do disco na ferramenta numa posição para a frente.

► **Fig.18:** 1. Resguardo do disco

3. Levante a pega da ferramenta ligeiramente e coloque a metade dianteira do resguardo do disco num ângulo na tampa de recolha de pó, atirando a parte inferior do disco de corte para baixo através da ranhura do disco na base.

► **Fig.19:** 1. Resguardo do disco 2. Tampa de recolha de pó 3. Disco de corte 4. Ranhura do disco

4. Instale a metade traseira do resguardo do disco na tampa de recolha de pó, enquanto desce a pega da ferramenta de uma posição levantada para uma posição inferior.

► **Fig.20:** 1. Resguardo do disco 2. Tampa de recolha de pó

5. Levante novamente a pega da ferramenta para enganchar a extremidade traseira do resguardo do disco sobre o batente no interior da tampa de recolha de pó.

► **Fig.21:** 1. Resguardo do disco 2. Batente

6. Solte o parafuso de orelhas. Oscile a ferramenta para cima e para baixo na profundidade de corte pretendida. Em seguida, aperte o parafuso de orelhas para fixar a ferramenta no devido lugar.

Remover a tampa de recolha de pó

1. Solte o parafuso de orelhas na régua de profundidade da tampa de recolha de pó. Levante a pega da ferramenta totalmente e, em seguida, aperte o parafuso de orelhas para fixar a tampa de recolha de pó numa posição levantada.

► **Fig.22:** 1. Parafuso de orelhas 2. Régua de profundidade 3. Tampa de recolha de pó

2. Deslize a alavanca de libertação em direção ao parafuso de orelhas para desbloquear o resguardo do disco do batente no interior da tampa de recolha de pó.

► **Fig.23:** 1. Alavanca de libertação 2. Parafuso de orelhas 3. Resguardo do disco 4. Tampa de recolha de pó 5. Batente

3. Desmonte a metade traseira do resguardo do disco da tampa de recolha de pó, enquanto desce a pega da ferramenta de uma posição levantada para uma posição inferior.

► **Fig.24:** 1. Resguardo do disco 2. Tampa de recolha de pó

4. Puxe a metade dianteira do resguardo do disco, num ângulo ligeiro para cima e para fora, separado da tampa de recolha de pó.

► **Fig.25:** 1. Resguardo do disco 2. Tampa de recolha de pó

OPERAÇÃO

⚠PRECAUÇÃO: Segure a ferramenta sempre com firmeza durante a operação.

⚠PRECAUÇÃO: Não force a ferramenta. Forçar e exercer pressão excessiva ou permitir que o disco vergue, fique preso ou torcido no corte pode causar sobreaquecimento do motor e recuo perigoso da ferramenta.

⚠PRECAUÇÃO: Quando cortar plásticos, certifique-se de que não sobreaquece o disco de corte. Tal pode resultar no derretimento da peça de trabalho.

⚠PRECAUÇÃO: Não bata nem choque com um disco de corte durante o arranque ou durante a operação.

⚠PRECAUÇÃO: Utilize sempre óculos de segurança ou um protetor facial durante a operação.

⚠PRECAUÇÃO: Após a operação, desligue sempre a ferramenta e aguarde até o disco ter parado completamente antes de pousar a ferramenta.

Cortar para baixo

OBSERVAÇÃO: Tenha o devido cuidado em relação à utilização de uma superfície de corte eficaz do disco de modo a evitar a exposição em direção às partículas de corte.

OBSERVAÇÃO: Mantenha um disco de corte a direito na peça de trabalho e evite inclinar ou oscilar a ferramenta durante a operação.

Posicione o resguardo do disco corretamente para proporcionar a máxima proteção em relação às faíscas e partículas soltas projetadas do disco de corte. Coloque a ferramenta sobre a peça de trabalho sem que o disco de corte estabeleça qualquer contacto. Ligue a ferramenta e aguarde até o disco de corte atingir a velocidade máxima. Em seguida, desça lentamente a ferramenta sobre a superfície da peça de trabalho, utilizando uma alimentação moderada adequada às suas aplicações.

Rotação para a frente
▶ Fig.26

Rotação inversa
▶ Fig.27

Efetuar corte reto

⚠PRECAUÇÃO: Certifique-se de que um disco de corte funciona sempre num movimento de esmerilagem ascendente. Caso contrário, tal pode fazer com que a ferramenta seja empurrada de forma descontrolada para fora do corte.

OBSERVAÇÃO: Mantenha a linha de corte direita e exerça uma pressão constante para obter uma peça de trabalho cortada uniformemente.

Coloque a chapa de base da tampa de recolha de pó na peça de trabalho a ser cortada sem que o disco de corte estabeleça qualquer contacto. Ligue a ferramenta e aguarde até o disco de corte atingir a velocidade máxima. Em seguida, mova lentamente a ferramenta sobre a superfície da peça de trabalho, mantendo-a plana e avançando suavemente até o corte estar concluído.

Selecione a rotação inversa para o corte de impulso e a rotação para a frente para o corte de arrasto.

Corte de impulso em rotação inversa

▶ Fig.28

Corte de arrasto em rotação para a frente

▶ Fig.29

NOTA: Tenha em conta que a tampa de recolha de pó tende a funcionar de forma menos eficaz em corte de arrasto uma vez que algumas partículas de corte se espalham no interior da tampa contra o fluxo de extração de pó.

MANUTENÇÃO

⚠PRECAUÇÃO: Certifique-se sempre de que a ferramenta se encontra desligada e de que a bateria foi retirada antes de executar qualquer inspeção ou manutenção.

OBSERVAÇÃO: Nunca utilize gasolina, benzina, diluente, álcool ou produtos semelhantes. Pode ocorrer a descoloração, deformação ou rachaduras.

Para manter a SEGURANÇA e a FIABILIDADE do produto, as reparações e qualquer outra manutenção ou ajuste devem ser levados a cabo pelos centros de assistência Makita autorizados ou pelos centros de assistência de fábrica, utilizando sempre peças de substituição Makita.

Revestir o disco diamantado

Se a ação de corte do disco diamantado começar a diminuir, utilize um disco de rebarbadora de bancada de grão grosso usado ou um bloco de betão para revestir o disco diamantado. Para isso, fixe firmemente o disco de rebarbadora de bancada ou o bloco de betão e corte sobre este.

Depois da utilização

Limpe o pó no interior da ferramenta colocando a mesma em funcionamento numa marcha lenta durante algum tempo. A acumulação de pó no motor pode causar uma avaria da ferramenta.

Limpar o resguardo do disco e a tampa de recolha de pó

Limpe regularmente o interior do resguardo do disco e da tampa de recolha de pó. Sopre ou limpe qualquer sujidade ou pó acumulados nos mesmos.

► **Fig.30:** 1. Resguardo do disco 2. Tampa de recolha de pó

Limpeza do ventilador de ar

Limpe regularmente os orifícios de ventilação da ferramenta para obter uma circulação suave do ar. Remova a tampa do pó da ranhura de ventilação de inalação e limpe-a sempre que ficar suja e obstruída.

► **Fig.31:** 1. Cobertura contra a poeira 2. Ranhura de ventilação de inalação

ACESSÓRIOS OPCIONAIS

⚠PRECAUÇÃO: Estes acessórios ou peças são recomendados para utilização com a ferramenta Makita especificada neste manual. A utilização de outros acessórios ou peças pode ser perigosa para as pessoas. Utilize apenas acessórios ou peças para os fins indicados.

Se necessitar de informações adicionais relativas a estes acessórios, solicite-as ao seu centro de assistência Makita.

- Disco de corte
- Disco diamantado
- Disco de grão em carboneto de tungsténio
- Chave hexagonal
- Bateria e carregador genuínos da Makita

NOTA: Alguns itens da lista podem estar incluídos na embalagem da ferramenta como acessórios padrão. Eles podem variar de país para país.

SPECIFIKATIONER

Model:		DMC300
Skiven udvendige diameter		76 mm
Skivens indvendige (aksel) diameter		10,0 mm/9,5 mm (3/8") (landespecifik)
Maks. skivetykkelse		1,0 mm
Maks. skærekapacitet	Med støvopsamlingsdæksel	13,5 mm
	Uden støvopsamlingsdæksel	16,0 mm
Mærkehastighed (n) / Hastighed uden belastning (n ₀)		20.000 min ⁻¹
Længde i alt		271 mm *1
Mærkespænding		D.C. 18 V
Nettovægt		1,2 - 1,7 kg

*1. Med akku (BL1860B)/uden støvopsamlingsdæksel

- På grund af vores kontinuerlige forsknings- og udviklingsprogrammer kan hosstående specifikationer blive ændret uden varsel.
- Specifikationer og akku kan variere fra land til land.
- Vægten kan være anderledes afhængigt af tilbehøret, inklusive akkuen. Den letteste og tungeste kombination i henhold til EPTA-procedure 01/2014 er vist i tabellen.

Anvendelig akku og oplader

Akku	BL1815N / BL1820B / BL1830B / BL1840B / BL1850B / BL1860B
Oplader	DC18RC / DC18RD / DC18RE / DC18SD / DC18SE / DC18SF / DC18SH / DC18WC

- Nogle af de akkuer og opladere, der er angivet ovenfor, er muligvis ikke tilgængelige, afhængigt af hvilket område du bor i.

⚠ ADVARSEL: Brug kun de akkuer og opladere, der er angivet ovenfor. Brug af andre akkuer og opladere kan medføre personskaade og/eller brand.

Tilsligtet anvendelse

Maskinen er beregnet til skæring af plader, fittings, rør, fliser eller væg i metal, plast, keramik, gips og lignende kompositmaterialer uden brug af vand.

Støj

Det typiske A-vægtede støjniveau bestemt i overensstemmelse med EN60745-2-22:

Lydtryksniveau (L_{pA}) : 88 dB (A)

Lydeffektniveau (L_{WA}) : 99 dB (A)

Usikkerhed (K): 3 dB (A)

BEMÆRK: De(n) angivne støjemissionsværdi(er) er målt i overensstemmelse med en standardtestmetode og kan anvendes til at sammenligne en maskine med en anden.

BEMÆRK: De(n) angivne støjemissionsværdi(er) kan også anvendes i en præliminær eksponeringsvurdering.

⚠ ADVARSEL: Bær høreværn.

⚠ ADVARSEL: Støjemissionen under den faktiske anvendelse af maskinen kan være forskellig fra de(n) angivne værdi(er), afhængigt af den måde hvorpå maskinen anvendes, især den type arbejdsømne der behandles.

⚠ ADVARSEL: Sørg for at identificere de sikkerhedsforskrifter til beskyttelse af operatøren, som er baseret på en vurdering af eksponering under de faktiske brugsforhold (med hensyntagen til alle dele i brugscyklussen, f.eks. de gange, hvor maskinen er slukket, og når den kører i tomgang i tilgift til afbrydertiden).

Vibration

Vibrationens totalværdi (tre-aksial vektorsum) bestemt i overensstemmelse med EN60745-2-22:

Arbejdstilstand: betonskæring (tykkelse 5 mm)

Vibrationsemmission (a_h): 3,0 m/s²

Usikkerhed (K): 1,5 m/s²

BEMÆRK: De(n) angivne totalværdi(er) for vibration er målt i overensstemmelse med en standardtestmetode og kan anvendes til at sammenligne en maskine med en anden.

BEMÆRK: De(n) angivne totalværdi(er) for vibration kan også anvendes i en preliminær eksponeringsvurdering.

⚠ ADVARSEL: Vibrationsemissionen under den faktiske anvendelse af maskinen kan være forskellig fra de(n) angivne værdi(er), afhængigt af den måde hvorpå maskinen anvendes, især den type arbejdsemne der behandles.

⚠ ADVARSEL: Sørg for at identificere de sikkerhedsforskrifter til beskyttelse af operatøren, som er baseret på en vurdering af eksponering under de faktiske brugsforhold (med hensyntagen til alle dele i brugscyklussen, f.eks. de gange, hvor maskinen er slukket, og når den kører i tomgang i tilgift til afbyrtdtiden).

Overensstemmelseserklæringer

Kun for lande i Europa

Overensstemmelseserklæringerne er inkluderet i Bilag A i denne brugsanvisning.

SIKKERHEDSADVARSLER

Almindelige sikkerhedsregler for el-værktøj

⚠ ADVARSEL Læs alle sikkerhedsadvarsler, instruktioner, illustrationer og specifikationer, der følger med denne maskine. Hvis du ikke følger alle nedenstående instruktioner, kan det medføre elektrisk stød, brand og/eller alvorlig personskade.

Gem alle advarsler og instruktioner til fremtidig reference.

Ordet "el-værktøj" i advarselne henviser til det nedforsynede (netledning) el-værktøj eller batteriforsynede (akku) el-værktøj.

Sikkerhedsadvarsler om kompakt afskæring

1. Den beskyttelsesskærm, der følger med maskinen, skal monteres forsvarligt på maskinen og placeres, så maksimal sikkerhed opnås, således at operatøren er udsat for den mindst mulige del af skiven. De selv og omkringstående må ikke stå i den roterende skives plan. Beskyttelsesskærmen bidrager til at beskytte operatøren mod afbrækkede skivefragmenter og utilsigtet kontakt med skiven.
2. Brug kun limede, forstærkede eller diamantafskæringsskiver til el-værktøjet. Bare fordi der kan tilsluttes et tilbehør til el-værktøjet, kan sikker betjening ikke garanteres.

3. Tilbehørets mærkehastighed skal mindst være den samme som den maksimale hastighed, som er angivet på maskinen. Tilbehørsdele, som kører hurtigere end deres mærkehastighed, kan brække og slynges bort.
4. Skiver må kun anvendes til de anbefalede formål. For eksempel: Undlad at slibe med siden af afskæringsskiven. Slibeafsæringsskiver er beregnet til perifer slibning, og hvis disse skiver udsættes for sidetryk, kan de gå i stykker.
5. Anvend altid ubeskadigede skiveflanger, som har den rigtige diameter, til den valgte skive. Korrekte skiveflanger understøtter skiven, hvilket reducerer risikoen for, at skiven brækker.
6. Undlad at bruge nedslidte forstærkede skiver fra større el-værktøj. Skiver, der er beregnet til et større el-værktøj, er ikke egnet til et mindre værktøjs højere hastighed og kan brække.
7. Den udvendige diameter og tykkelsen på Deres tilbehør skal være inden for maskinens kapacitetsnormering. Tilbehør af forkert størrelse kan ikke beskyttes eller kontrolleres på tilstrækkelig vis.
8. Skivernes og flangernes dornstørrelse skal passe nøjagtigt til maskinens spindel. Skiver og flanger med dornhuller, som ikke passer til maskinens monteringsdele, vil køre ubalanceret, vibrere kraftigt og kan bevirke, at De mister herredømmet over maskinen.
9. Anvend ikke beskadigede skiver. Inden hver brug skal De eftersø skiverne for hakker og revner. Hvis maskinen eller skiven har været tabt, skal de efterses for beskadigelse, eller der skal monteres en ubeskadiget skive. Når skiven er efterset og monteret, skal De og eventuelle omkringstående stille Dem uden for den roterende skives plan og derefter lade maskinen køre ved maksimal hastighed uden belastning i et minut. Beskadigede skiver vil normalt brække i løbet af denne testperiode.
10. Bær personligt beskyttelsesudstyr. Bær altid høreværn. Afhængigt af anvendelsen skal du bruge ansigtsskærm, sikkerhedsbriller eller beskyttelsesbriller. Bær eventuelt støvmaske, handsker og forklæde, der kan stoppe små fragmenter fra slibeskiven eller arbejdsområdet. Øjenbeskyttelsen skal kunne stoppe flyvende nedbrudt materiale, der frembringes ved forskellige handlinger. Støvmasken eller åndedrætsværnet skal kunne filtrere de partikler, der frembringes i forbindelse med handlingerne. Langvarig eksponering for støj med høj intensitet kan medføre høretab.
11. Sørg for at holde omkringstående på en sikker afstand af arbejdsområdet. Enhver person, som befinder sig i arbejdsområdet, skal bære personligt beskyttelsesudstyr. Fragmenter fra arbejdsområdet eller fra en brækket skive kan slynges af og forårsage personskade uden for det umiddelbare arbejdsområde.
12. Hold udelukkende maskinen i de isolerede grebflader, når der udføres et arbejde, hvor det skærende tilbehør kan komme i kontakt med skurede ledninger. Skæretilbehør, som kommer i kontakt med en strømførende ledning, kan gøre blottede metaldele på maskinen strømførende og udgøre en risiko for, at operatøren får elektrisk stød.

13. **Læg ikke maskinen fra Dem, før tilbehøret er helt stoppet.** Den roterende skive kan gribe fat i overfladen og trække maskinen ud af Deres herredømme.
14. **Lad ikke maskinen køre, mens De bærer den ved siden.** Utilslaget kontakt med det roterende tilbehør kan bevirke, at det griber fat i Deres tøj og trækker tilbehøret ind mod Deres krop.
15. **Rengør maskinens ventilationsåbninger med jævne mellemrum.** Motorens ventilator vil suge støv ind i huset, og en stor mængde akkumuleret metalstøv kan forårsage elektrisk fare.
16. **Anvend ikke maskinen i nærheden af brændbare materialer.** Gnister kan antænde disse materialer.
17. **Anvend ikke tilbehør, der kræver kølevæske.** Anvendelse af vand eller anden kølevæske kan resultere i dødelige stød eller elektriske stød.
6. **Vær påpasselig med ikke at "klemme" skiven eller udsætte den for et ekstremt tryk. Forsøg ikke at udføre en for dyb skæring.** Overbelastning af skiven øger belastningen og sandsynligheden for, at skiven vrækker eller binder i snittet, samt risiko for tilbageslag, eller at skiven brækker.
7. **Hvis skiven binder, eller hvis en skæring af en eller anden grund afbrydes, skal De slukke for værktøjet og holde det stille, indtil det er stoppet helt. Forsøg aldrig at fjerne skiven fra snittet, mens skiven er i bevægelse, da dette kan medføre tilbageslag.** Tag bestik af situationen, og foretag det nødvendige for at eliminere årsagen til, at skiven binder.
8. **Påbegynd ikke skæreoperationen igen i arbejdsmenet. Lad skiven komme op på fuld hastighed, og gå derefter forsigtigt ind i snittet igen.** Skiven kan binde, bevæge sig opad eller slå tilbage, hvis værktøjet startes igen, mens det befinder sig i arbejdsmenet.
9. **Understøt paneler eller store arbejdsemner for at minimere risikoen for, at skiven binder, og der opstår tilbageslag.** Store arbejdsemner har tendens til at synke under deres egen vægt. Støtteanordninger skal anbringes under arbejdsmenet i nærheden af snittet og nær kanten på arbejdsmenet på begge sider af skiven.
10. **Udvis ekstra forsigtighed, når der laves et "lommensnit" i eksisterende vægge eller i andre blinde områder.** Den udragende skive kan komme til at skære i gas- eller vandrør, elektriske ledninger eller genstande, som kan forårsage tilbageslag.
11. **Inden anvendelse af en segmenteret diamantskive skal De sørge for, at diamantskiven har et perifert mellemrum mellem segmenterne på 10 mm eller derunder, kun med en negativ rivevinkel.**

Tilbageslag og relaterede advarsler

Tilbageslag er en pludselig reaktion på en fastklemt eller blokeret roterende skive. Fastklemning eller blokering medfører, at den roterende skive pludseligt stopper, hvilket igen bevirker, at det ukontrollerede værktøj tvinges i den modsatte retning af skivens rotation på det punkt, hvor den sidder fast.

Hvis for eksempel en slibeskive er blokeret eller fastklemt af arbejdsmenet, kan kanten på skiven, som går ind i fastklemningspunktet, grave sig ind i materialets overflade og derved bevirke, at skiven kommer ud eller presses ud. Skiven kan enten slynges mod eller bort fra operatøren, afhængigt af retningen af skivens bevægelse på fastklemningspunktet. Slibeskiver kan også brække under disse forhold.

Tilbageslag er et resultat af misbrug og/eller fejlagtig brug af værktøjet eller ukorrekte brugsforhold og kan undgås ved, at man tager de rigtige forholdsregler som anvist herunder.

1. **Hold godt fast i værktøjet, og indtag en stilling med kroppen og armen, således at De kan modstå tilbageslagskraften. Anvend altid hjælpehåndtaget, hvis et sådant forefindes, til at opnå den maksimale kontrol med tilbageslag eller torsionsreaktion under starten.** Operatøren kan kontrollere torsionsreaktionen og tilbageslagskraften, hvis de rette forholdsregler tages.
2. **Anbring ikke hånden i nærheden af det roterende tilbehør.** Tilbehøret kan slå tilbage hen over hånden.
3. **Stil Dem ikke på linje med den roterende skive.** Et tilbageslag vil slynge værktøjet i den modsatte retning af skivens bevægelse ved blokeringspunktet.
4. **Vær særligt forsigtig ved arbejde på hjørner, skarpe kanter osv. Sørg for, at tilbehøret ikke hopper eller sætter sig fast.** Hjørner, skarpe kanter eller hoppen har en tendens til at fastklemme det roterende tilbehør med tab af kontrol eller tilbageslag til følge.
5. **Lad være med at montere en savkæde, en træskæreklinge, en segmenteret diamantskive med et perifert mellemrum på mere end 10 mm eller en savklinge med tænder.** Sådanne klinger er ofte årsag til tilbageslag og tab af herredømmet.

Supplerende sikkerhedsadvarsler:

1. **Forsøg aldrig at skære med maskinen holdt på hovedet i en skruestik.** Dette kan medføre alvorlige ulykker, da det er yderst farligt.
2. **Kontroller, at arbejdsmenet understøttes korrekt.**
3. **Nogle materialer indeholder kemikalier, som kan være giftige. Vær påpasselig med at forhindre indånding af støv samt hudkontakt. Følg materialeleverandørens sikkerhedsdata.**
4. **Opbevar skiverne i henhold til fabrikantens anbefalinger.** Fejlagtig opbevaring kan beskadige skiverne.

GEM DISSE FORSKRIFTER.

⚠ ADVARSEL: LAD IKKE bekvemmelighed eller kendskab til produktet (opnået gennem gentagen brug) forhindre, at sikkerhedsforskrifterne for produktet nøje overholdes. MISBRUG eller forsømmelse af at følge de i denne brugsvejledning givne sikkerhedsforskrifter kan medføre alvorlig personskade.

Vigtige sikkerhedsinstruktioner for akkuen

1. Læs alle instruktioner og advarselmærkater på (1) akku-opladeren, (2) akkuen og (3) produktet, som anvender akku.
2. Adskil eller ændr ikke akkuen. Det kan muligvis resultere i en brand, overdreven varme eller eksplosion.
3. Hold straks op med anvendelsen, hvis brugstiden er blevet stærkt afkortet. Fortsat anvendelse kan resultere i risiko for overophedning, forbrændinger og endog eksplosion.
4. Hvis De har fået elektrolytvæske i øjnene, skal De straks skylle den ud med rent vand og derefter øjeblikkeligt søge lægehjælp. I modsat fald kan De miste synet.
5. Vær påpasselig med ikke at komme til at kortslutte akkuen:
 - (1) Rør ikke ved terminalerne med noget ledende materiale.
 - (2) Undgå at opbevare akkuen i en beholder sammen med andre genstande af metal, for eksempel søm, mønter og lignende.
 - (3) Udsæt ikke akkuen for vand eller regn. Kortslutning af akkuen kan forårsage en kraftig øgning af strømmen, overophedning, mulige forbrændinger og endog værktøjstop.
6. Opbevar og brug ikke maskinen og akkuen på steder, hvor temperaturen muligvis kan nå eller overstige 50 °C.
7. Lad være med at brænde akkuen, selv ikke i tilfælde, hvor den har lidt alvorlig skade eller er fuldstændig udtjent. Akkuen kan eksplodere, hvis man forsøger at brænde den.
8. Slå ikke søm i, skær ikke i, knus, kast, tab ikke akkuen og stød ikke akkuen mod en hård genstand. Sådan adfærd kan muligvis resultere i en brand, overdreven varme eller eksplosion.
9. Anvend ikke en beskadiget akku.
10. De indbyggede litium-ion-batterier er underlagt lovkrav vedrørende farligt gods. Ved kommerciel transport, f.eks. af tredjeparts transportselskaber, skal særlige krav til forpakning og mærkning overholdes. Ved forberedelse af udstyret til forsendelse skal du kontakte en ekspert i farligt gods. Overhold også eventuel mere detaljeret national lovgivning. Tape eller tildæk åbne kontakter, og pak batteriet på en måde, så det ikke kan flytte sig rundt i pakningen.
11. Når akkuen bortskaffes, skal du fjerne den fra maskinen og bortskaffe den på et sikkert sted. Følg de lokale love vedrørende bortskaffelsen af batterier.
12. Brug kun batterierne med de produkter, som Makita specificerer. Hvis batterierne installeres i ikke-kompatible produkter, kan det medføre brand, kraftig varme, eksplosion eller udsivning af elektrolyt.
13. Hvis maskinen ikke skal bruges i længere tid ad gangen, skal du fjerne batteriet fra maskinen.
14. Akkuen kan muligvis under og efter brug være varm, hvilket kan forårsage forbrændinger eller lavtemperaturforbrændinger. Vær påpasselig med håndtering af varme akkuer.
15. Rør ikke terminalen på maskinen straks efter brug, da den bliver varm nok til at forårsage forbrændinger.
16. Sørg for, at spåner, støv eller jord ikke sætter sig fast i akkuens terminaler, huller og riller. Det kan forårsage opvarmning, antændelse, sprængning og funktionsfejl i maskinen eller akkuen, hvilket kan medføre forbrændinger eller personskade.
17. Medmindre maskinen understøtter brugen i nærheden af elektriske højspændingsledninger, skal du ikke anvende akkuen i nærheden af elektriske højspændingsledninger. Det kan muligvis medføre funktionsfejl på eller nedbrud af maskinen eller akkuen.
18. Opbevar batteriet utilgængeligt for børn.

GEM DENNE BRUGSANVISNING.

⚠FORSIGTIG: Brug kun originale batterier fra Makita. Brug af uoriginale Makita-batterier, eller batterier som er blevet ændret, kan muligvis medføre brud på batteriet, hvilket kan forårsage brand, personskade eller beskadigelse. Det ugyldiggør også Makita-garantien for Makita-maskinen og opladeren.

Tips til opnåelse af maksimal akku-levetid

1. Oplad akkuen, inden den er helt afladet. Stop altid værktøjet, og oplad akkuen, hvis De bemærker, at værktøjeffekten er aftagende.
2. Genoplad aldrig en fuldt opladet akku. Overopladning vil afkorte akkuens levetid.
3. Oplad akkuen ved stuetemperatur ved 10 °C - 40 °C. Lad altid en varm akku få tid til at køle af, inden den oplades.
4. Når du ikke anvender akkuen, skal du fjerne den fra maskinen eller opladeren.
5. Oplad akkuen, hvis De ikke skal bruge den i længere tid (mere end seks måneder).

FUNKTIONSBESKRIVELSE

⚠️ FORSIGTIG: Sørg altid for at maskinen er slukket, og at akkuen er taget ud, før der udføres justering eller kontrol af funktioner på maskinen.

Isætning eller fjernelse af akkuen

⚠️ FORSIGTIG: Sluk altid for værktøjet, før De monterer eller fjerner akkuen.

⚠️ FORSIGTIG: Hold værktøjet og akkuen fast ved montering eller fjernelse af akkuen. Hvis De ikke holder værktøjet og akkuen fast, kan de glide ud af hænderne på Dem og forårsage beskadigelse af værktøjet og akkuen eller personskaade.

► Fig.1: 1. Rød indikator 2. Knap 3. Akku

Akkuen fjernes ved, at De trækker den ud af værktøjet, idet De skyder knappen på forsiden af akkuen i stilling.

For at montere akkuen skal du justere tungen på akkuen med rillen i huset og skubbe den på plads. Indsæt den hele vejen, indtil den låses på plads med et lille klik. Hvis du kan se den røde indikator, som vist i figuren, er den ikke helt låst.

⚠️ FORSIGTIG: Monter altid akkuen helt, indtil den røde indikator ikke længere er synlig. Hvis dette ikke gøres, kan den falde ud af værktøjet ved et uheld, hvorved De selv eller personer i nærheden kan komme til skade.

⚠️ FORSIGTIG: Brug ikke magt ved montering af akkuen. Hvis akkuen ikke glider på plads uden problemer, betyder det, at den ikke sættes i på korrekt vis.

Indikation af den resterende batteriladning

Kun til akkuer med indikatoren

► Fig.2: 1. Indikatorlamper 2. Kontrolknap

Tryk på kontrolknappen på akkuen for at få vist den resterende batteriladning. Indikatorlampen lyser i nogle sekunder.

Indikatorlamper			Resterende ladning
Tændt	Slukket	Blinker	
■	□	◐	75% til 100%
■ ■ ■ ■			
■ ■ ■ ■	□		50% til 75%
■ ■ ■ □	□ □		25% til 50%
■ □ □ □	□ □ □ □		0% til 25%
◐ □ □ □	□ □ □ □		Genopladdet batteriet.
■ ■ □ □	□ □ □ □		Der er muligvis fejl i batteriet.
□ □ ■ ■	□ □ □ □		

BEMÆRK: Afhængigt af brugsforholdene og den omgivende temperatur kan indikationen afvige en smule fra den faktiske ladning.

BEMÆRK: Den første indikatorlampe (længst mod venstre) vil blinke, når batteribeskyttelsessystemet aktiveres.

Beskyttelsessystem til værktøj/batteri

Værktøjet er forsynet med et beskyttelsessystem til værktøj/batteri. Dette system afbryder automatisk strømmen til motoren for at forlænge levetiden for værktøjet og batteriet. Værktøjet stopper automatisk under driften, hvis det eller batteriet kommer i en af følgende situationer. I nogle tilfælde lyser indikatorerne.

Overbelastningsbeskyttelse

Når maskinen/batteriet betjenes på en måde, der bevirker, at den/det forbruger en unormal mængde strøm, stopper maskinen automatisk, og driftslampen blinker. I denne situation skal du slukke for maskinen og stoppe den anvendelse, der medførte, at maskinen blev overbelastet. Tænd derefter maskinen for at starte igen.

Beskyttelse mod overophedning

Når maskinen/batteriet er overophedet, stopper maskinen automatisk, og driftslampen blinker. Lad i så fald maskinen køle ned, før der tændes for maskinen igen.

Beskyttelse mod afladning

Når batteriladningen bliver lav, stopper maskinen automatisk. Hvis maskinen ikke kører sammen med kontaktbetjeningen, afmonter batteriet fra maskinen og oplad det.

Beskyttelse mod andre årsager

Beskyttelsessystemet er også designet til andre årsager, der kan beskadige maskinen og gøre det muligt for maskinen at stoppe automatisk. Træf alle følgende foranstaltninger for at fjerne årsagerne, når maskinen midlertidigt er blevet bragt til standsning eller stoppet i drift.

1. Sluk for maskinen, og tænd den igen for at genstarte.
2. Oplad batteriet/batterierne eller udskift det/dem med genopladdet/genopladede batteri/batterier.
3. Lad maskinen og batteriet/batterierne køle af.

Hvis der ikke kan findes nogen forbedring ved at genoprette beskyttelsessystemet, skal det lokale Makita-servicecenter kontaktes.

Afbryderbetjening

⚠ ADVARSEL: Brug **ALDRIG** værktøjet, hvis det kører, når De blot trækker afbryderknappen uden at trykke på lås fra-knappen. En defekt afbryder kan medføre utilsigtet brug og alvorlig personskade. Returnér værktøjet til et Makita servicecenter for korrekt reparation, FØR det anvendes igen.

⚠ ADVARSEL: Deaktiver **ALDRIG** lås fra-knappen ved at holde den nede med tape eller på andre måder. En afbryder med en deaktiveret lås fra-knap kan medføre utilsigtet brug og alvorlig personskade.

⚠ FORSIGTIG: Inden akkuen sættes i maskinen, bør De altid kontrollere, at afbryderknappen fungerer korrekt, og returnerer til "OFF"-positionen, når den slippes.

⚠ FORSIGTIG: Undlad at trække hårdt i afbryderknappen uden at trykke på lås fra-knappen. Dette kan medføre, at knappen går i stykker.

⚠ FORSIGTIG: Maskinen begynder at bremse skivens rotation umiddelbart efter, at du slipper afbryderknappen. Hold godt fast i maskinen for at reagere på bremsereaktionen, når du slipper afbryderknappen. Pludselig reaktion kan få maskinen til at falde af hånden og forårsage personskade.

For at forhindre, at afbryderknappen trykkes ned ved et uheld, er maskinen udstyret med en lås fra-knap. For at starte maskinen skal du trykke på lås fra-knappen og holde den nede og derefter trykke på afbryderknappen. Slip afbryderknappen for at stoppe.

► Fig.3: 1. Afbryderknap 2. Lås fra-knap

Valg af skive

⚠ FORSIGTIG: Tilbehørets mærkehastighed skal mindst være den samme som den maksimale hastighed, som er angivet på maskinen. Tilbehørsdele, som kører hurtigere end deres mærkehastighed, kan brække og slynges bort.

⚠ FORSIGTIG: Skiver må kun anvendes til de anbefalede anvendelser.

Vælg et af de mest velegnede typer af skæreskiver i overensstemmelse med din anvendelse.

Skivetype	Praktiske anvendelser
Afskæringskive	Skæring i stål, rustfrit stål, metaller
Grusskive af wolframkarbid	Skæring i plastik, gips, kompositmaterialer
Diamantskive	Skæring af fliser, keramik

Skivens rotationsretning

⚠ FORSIGTIG: Kontrollér altid omløbsretningen, inden arbejdet påbegyndes.

⚠ FORSIGTIG: Brug kun omløbsvælgeren, når maskinen er stoppet helt. Et pludseligt skift i rotationsretningen under betjening bringer maskinen til et skarpt stop af sikkerhedsmæssige årsager.

Skivens rotation kan ændres i enten fremadrettet eller bagudrettet retning.

For at indstille den fremadrettede rotation skal du skubbe omløbsvælgeren til venstre, indtil "F"-indikatoren vises på vælgeren.

For at vælge den bagudrettede rotation skal du skubbe omløbsvælgeren til højre, indtil "R"-indikatoren vises på vælgeren.

► Fig.4: 1. Omløbsvælger

Spåner, rester og skæreparkler har en tendens til at flyve væk langs en tangentretning af skiverotationen. Brug beskyttelsesskærmen effektivt for at undgå forsat eksponering mod afskæringspartikler, så den kan udlede noget af skærestøvet og partikler i en alternativ retning.

En reaktion på en hurtig blokering af den roterende skive kan gøre maskinen ukontrolleret i den modsatte retning af skivens rotation.

Fremadrettet rotation

► Fig.5: 1. Afskæringspartikler 2. Reaktionen

Bagudrettet rotation

► Fig.6: 1. Afskæringspartikler 2. Reaktionen

Beskyttelsesskærm

⚠ FORSIGTIG: Sørg for, at beskyttelsesskærmen er korrekt og solidt placeret bag skæreskiven før betjening.

Fastgør beskyttelsesskærmen i en behagelig position for maksimal sikkerhed og minimal eksponering for mulige risikofaktorer i overensstemmelse med dine arbejdsforhold og præferencer.

Placering fremadrettet

► Fig.7: 1. Beskyttelsesskærm 2. Skæreskive

Placering baglæns

► Fig.8: 1. Beskyttelsesskærm 2. Skæreskive

Aksellås

Tryk på aksellåsen for at forhindre spindelrotation ved montering og afmontering af en skæreskive.

► Fig.9: 1. Aksellås

BEMÆRKNING: Udløs aldrig aksellåsen, mens spindlen bevæger sig. Maskinen kan lide skade.

Driftslampe

⚠ FORSIGTIG: Kig aldrig direkte på lyskilden. Lad ikke lyset falde i Deres øjne.

For at tænde driftslampen, tryk og hold lås fra-knappen nede og træk i afbryderknappen. Lampen slukkes ca. 15 sekunder efter, at afbryderknappen slippes.

► Fig.10: 1. Driftslampe

BEMÆRKNING: Når maskinen betjenes med for stor belastning, blinker driftslampen. I denne situation skal du slippe afbryderknappen og derefter reducere belastningen på maskinen, før du betjener den igen.

BEMÆRKNING: Når maskinen er overophedet, blinker driftslampen. I dette tilfælde skal du slippe afbryderknappen og derefter afkøle maskinen/batteriet, før du betjener maskinen igen.

BEMÆRK: Brug en tør klud til at tørre snavset af lampens linse. Pas på ikke at ridse lampens linse, da dette muligvis kan dæmpe belysningen.

Justering af skæredybde

⚠FORSIGTIG: Når du har justeret skæredybden, skal du altid tilspænde fingerskruen forsvarligt.

Når støvopsamlingsdækslet er monteret, kan der foretages finjusteringer i skæredybden op til 13,5 mm.

Løsn fingerskruen på dybdeskalaen. Løft eller sænk maskinens håndtag på plads for at justere dybdeindikatorerne på dækslet til den ønskede skæredybde på skalaen. Tilspænd derefter fingerskruen.

► **Fig.11:** 1. Fingerskrue 2. Dybdeskala 3. Dybdeindikator

⚠FORSIGTIG: For at opnå en ren og sikker skæring skal du indstille skæredybden, så en skæreskive passerer arbejdsemnets underside med 2,0 mm eller mindre. Indstilling i passende skæredybder hjælper med at reducere risikoen for farlige tilbageslag, som kan forårsage personskade.

Sigtning til lige skæring

Når støvopsamlingsdækslet er monteret, kan der foretages lige skæring på sikker vis ved at justere skæreskiven mod skæreretningen, før den egentlige skæring udføres.

Justér styreindhakket i bunden af støvopsamlingsdækslet med den tilsigtede skærelinje på arbejdsemnet.

► **Fig.12:** 1. Styrindhak 2. Bund 3. Skærelinje

Tilslutning af en støvsuger

Ekstraudstyr

Når du vil udføre en ren skæring, skal du tilslutte en Makita-støvsuger til støvmundstykket i støvopsamlingsdækslet ved hjælp af en forreste manchete 22 (ekstraudstyr).

► **Fig.13:** 1. Forreste manchetter 22 2. Støvmundstykke 3. Slange 4. Støvsuger

Funktion til forhindring af utilsigtet genstart

Når du monterer akkuen, mens du trykker på afbryderknappen, vil maskinen ikke starte.

For at starte maskinen skal du først slippe afbryderknappen. Tryk på lås fra-knappen, og hold den nede, og tryk derefter på afbryderknappen.

Elektronisk funktion

Maskinen er udstyret med elektroniske funktioner for nem betjening.

- Elektrisk bremse
Denne maskine er udstyret med en elektrisk bremse. Hvis maskinen konsekvent undlader at stoppe hurtigt, efter at afbryderknappen slippes, skal der udføres service på maskinen hos et Makita-servicecenter.
- Konstant hastighedskontrol
Funktionen til hastighedskontrol sørger for konstant rotationshastighed uanset belastningsforholdene.
- Teknologi til aktiv registrering af feedback
Maskinen registrerer elektronisk situationer, hvor skiven eller tilbehøret kan risikere at binde. I så fald slukkes der automatisk for maskinen for at forhindre spindlen i at rotere yderligere (det forhindrer ikke tilbageslag). For at genstarte maskinen skal man først slukke for maskinen, eliminere årsagen til det pludselige fald i rotationshastighed og derefter tænde for maskinen.

SAMLING

⚠FORSIGTIG: Sørg altid for at maskinen er slukket, og at akkuen er taget ud, før der udføres noget arbejde på maskinen.

Opbevaring af unbrakonøgler

Når unbrakonøglen ikke anvendes, skal den opbevares som vist på illustrationen, så den ikke bortkommer.

► **Fig.14:** 1. Unbrakonøgle

Afmontering og montering af skæreskive

⚠FORSIGTIG: Brug kun den medfølgende Makita unbrakonøgle til at afmontere og montere en skæreskive.

⚠FORSIGTIG: Når du monterer en skæreskive, skal du sørge for at tilspænde boltens forsvarligt.

BEMÆRKNING: Når du monterer en diamantskive for at opnå den bedste ydeevne, skal du altid sørge for, at pilene på diamantskiven peger i samme retning som den ønskede rotation af skiven.

For at afmontere en skæreskive skal du trykke aksellåsen helt ned, så skæreskiven ikke kan dreje rundt, og bruge unbrakonøglen til at løse sekskantboltens mod uret. Afmonter derefter sekskantboltens, den udvendige flange og skæreskiven.

► **Fig.15:** 1. Aksellås 2. Sekskantnøgle 3. Sekskantbolt 4. Løs 5. Tilspænd

BEMÆRKNING: Hvis den indvendige flange afmonteres, skal den sættes tilbage på spindlen med skivemonteringsdelen vendt opad.

Følg afmonteringsproceduren i omvendt rækkefølge for at montere en skæreskive.

► **Fig.16:** 1. Sekskantbolt 2. Udvendig flange 3. Skæreskive 4. Indvendig flange 5. Spindel

Montering og afmontering af støvopsamlingsdæksel

⚠FORSIGTIG: Sørg for, at beskyttelsesskærmen er sikkert låst af stopperen ind i støvopsamlingsdækslet før betjening.

⚠FORSIGTIG: Undgå at bruge støvopsamlingsdækslet til metalarbejde, der skaber varme og flyvende gnister, da det kan smelte plastikkomponenterne i støvopsamlingsdækslet.

Støvopsamlingsdækslet forbedrer sikker og effektiv skæring, hvilket giver en beskyttelse mod den roterende skive, skærestabilitet, præcis kontrol over skæredybden og løsninger til fjernelse af støv, især ved fliser, gips og stentøjsspånere.

Montering af støvopsamlingsdæksel

- Løsn fingerskruen på dybdeskalaen på støvopsamlingsdækslet. Løft dækslet helt op, og tilspænd derefter fingerskruen for at fastgøre støvopsamlingsdækslet i en løftet position.
▶ **Fig.17:** 1. Fingerskrue 2. Dybdeskala 3. Støvopsamlingsdæksel
- Indstil beskyttelsesskærmen på maskinen i en fremadrettet position.
▶ **Fig.18:** 1. Beskyttelsesskærm
- Løft maskinens håndtag en smule, og placér den forreste halvdel af beskyttelsesskærmen i en vinkel ind i støvopsamlingsdækslet, så bunden af skæreskiven kastes ned gennem skiveåbningen i bunden.
▶ **Fig.19:** 1. Beskyttelsesskærm 2. Støvopsamlingsdæksel 3. Skæreskive 4. Skiveåbning
- Montér den bageste halvdel af beskyttelsesskærmen i støvopsamlingsdækslet, mens du sænker maskinens håndtag fra en løftet position til en nedadgående position.
▶ **Fig.20:** 1. Beskyttelsesskærm 2. Støvopsamlingsdæksel
- Løft maskinens håndtag igen for at hægte bagkanten af beskyttelsesskærmen over stopperen inde i støvopsamlingsdækslet.
▶ **Fig.21:** 1. Beskyttelsesskærm 2. Stopper
- Løsn fingerskruen. Sving maskinen op og ned i den ønskede skæredybde. Tilspænd derefter fingerskruen for at fastgøre maskinen på plads.

Afmontering af støvopsamlingsdæksel

- Løsn fingerskruen på dybdeskalaen på støvopsamlingsdækslet. Løft maskinens håndtag helt op, og tilspænd derefter fingerskruen for at fastgøre støvopsamlingsdækslet i en løftet position.
▶ **Fig.22:** 1. Fingerskrue 2. Dybdeskala 3. Støvopsamlingsdæksel
- Skub udløserhåndtaget mod fingerskruen for at låse beskyttelsesskærmen op fra stopperen inde i støvopsamlingsdækslet.
▶ **Fig.23:** 1. Udløserhåndtag 2. Fingerskrue 3. Beskyttelsesskærm 4. Støvopsamlingsdæksel 5. Stopper

- Afmonter den bageste halvdel af beskyttelsesskærmen fra støvopsamlingsdækslet, mens du sænker maskinens håndtag fra en løftet position til en nedadgående position.

▶ **Fig.24:** 1. Beskyttelsesskærm 2. Støvopsamlingsdæksel

- Træk den forreste halvdel af beskyttelsesskærmen i en let opadgående og udadvendt vinkel, bortset fra støvopsamlingsdækslet.

▶ **Fig.25:** 1. Beskyttelsesskærm 2. Støvopsamlingsdæksel

ANVENDELSE

⚠FORSIGTIG: Oprethold altid et fast greb om maskinen under anvendelse.

⚠FORSIGTIG: Undlad at tvinge maskinen. Hvis du tvinger og udøver et for højt tryk, eller hvis du lader skiven bøje, klemme eller dreje i snittet, kan det forårsage uforudset opvarmning af motoren og farligt tilbageslag af maskinen.

⚠FORSIGTIG: Når du skærer plastik, skal du sørge for ikke at overophede skæreskiven. Det kan resultere i smeltning af arbejdsstykket.

⚠FORSIGTIG: Undlad at banke eller slå på en skæreskive, når du starter eller under anvendelse.

⚠FORSIGTIG: Bær altid sikkerhedsbriller eller ansigtsskærm under anvendelse.

⚠FORSIGTIG: Efter betjening skal du altid slukke for maskinen og vente, indtil skiven er helt stoppet, før du lægger maskinen ned.

Nedskæring

BEMÆRKNING: Vær omhyggelig med at bruge en effektiv skæreflade på skiven for at undgå eksponering mod afskæringspartikler.

BEMÆRKNING: Hold en skæreskive lige i arbejdsstykket, og undgå at vippe eller svinge maskinen under betjeningen.

Placér beskyttelsesskærmen korrekt for at yde maksimal beskyttelse mod gnister og løse partikler, der kastes ud af skæreskiven. Placér maskinen over arbejdsstykket, uden at skæreskiven kommer i kontakt med arbejdsstykket. Tænd for maskinen, og vent, indtil skæreskiven når fuld hastighed. Sænk derefter maskinen langsomt ned over arbejdsstykkets overflade ved hjælp af en moderat fremføring, der passer til anvendelserne.

Fremadrettet rotation

▶ **Fig.26**

Bagudrettet rotation

▶ **Fig.27**

Lige skæring

⚠️ FORSIGTIG: Sørg for, at en skæreskive altid fungerer i en opadgående slibebevægelse. Ellers kan det medføre, at maskinen skubbes ukontrolleret ud af snittet.

BEMÆRKNING: Hold skærelinjen lige, og påfør et stabilt tryk for at opnå en ensartet skæring gennem arbejdsemnet.

Indstil støvopsamlingsdækslets bundplade på arbejdsemnet, der skal skæres, uden at skæreskiven har nogen kontakt. Tænd for maskinen, og vent, indtil skæreskiven når fuld hastighed. Flyt derefter maskinen langsomt hen over arbejdsemnets overflade, mens den holdes fladt og føres glat frem, indtil skæringen er færdig.

Vælg den bagudrettede rotation til skubbeskæring og den fremadrettede rotation til trækkeskæring.

Skubbeskæring i bagudrettet rotation

► Fig.28

Trækkeskæring i fremadrettet rotation

► Fig.29

BEMÆRK: Vær opmærksom på, at støvopsamlingsdækslet har en tendens til at fungere mindre effektivt ved trækkeskæring, da nogle skæreparkler spredes inde i dækslet mod støvudtræksstrømmen.

VEDLIGEHODELSE

⚠️ FORSIGTIG: Vær altid sikker på, at værktøjet er slukket, og at akkuen er taget ud, inden De begynder at udføre inspektion eller vedligeholdelse.

BEMÆRKNING: Anvend aldrig benzin, rensebenzin, fortynder, alkohol og lignende. Det kan medføre misfarvning, deformation eller revner.

For at opretholde produktets SIKKERHED og PÅLIDELIGHED må reparation, vedligeholdelse eller justering kun udføres af et autoriseret Makita servicecenter eller fabrikksservicecenter med anvendelse af Makita reservedele.

Slibning af diamantskiven

Hvis diamantskivens skæring aftager, skal du bruge en gammel og kasseret, grovkornet bænkslibeskive eller en betonklods til at slibe diamantskiven. Du gør dette ved forsvarligt at fastgøre bænkslibeskiven eller betonklods og skære i den.

Efter brug

Rens støvet inde i maskinen ved at lade maskinen køre i tomgang i et stykke tid. Ophobning af støv i motoren kan forårsage en fejlfunktion af maskinen.

Rengøring af beskyttelseskærm og støvopsamlingsdæksel

Rengør indersiden af beskyttelseskærmen og støvopsamlingsdækslet med jævne mellemrum. Blæs eller aftør snavs eller støv, der har ophobet sig i dem.

► **Fig.30:** 1. Beskyttelseskærm
2. Støvopsamlingsdæksel

Rengøring af ventilationsåbninger

Rengør maskinens ventilationsåbninger med jævne mellemrum for at sikre en jævn luftcirkulation. Afmontér støvdækslet fra indsugningsåbningen, og rengør det, når det bliver snavset og tilstoppet.

► **Fig.31:** 1. Støvdæksel 2. Indsugningsåbning

EKSTRAUDSTYR

⚠️ FORSIGTIG: Det følgende tilbehør og ekstraudstyr er anbefalet til brug med Deres Makita maskine, der er beskrevet i denne brugsanvisning. Anvendelse af andet tilbehør eller ekstraudstyr kan udgøre en risiko for personskade. Anvend kun tilbehør og ekstraudstyr til det beskrevne formål.

Hvis De behøver hjælp ved valg af tilbehør eller ønsker yderligere informationer, bedes De kontakte Deres lokale Makita servicecenter.

- Afskæringsskive
- Diamantskive
- Grusskive af wolframkarbid
- Sekskantnøgle
- Original Makita-akku og oplader

BEMÆRK: Nogle ting på denne liste kan være inkluderet i værktøjspakken som standardtilbehør. Det kan være forskellige fra land til land.

ΠΡΟΔΙΑΓΡΑΦΕΣ

Μοντέλο:		DMC300
Διάμετρος εξωτερικού τροχού		76 mm
Διάμετρος εσωτερικού τροχού (άξονας)		10,0 mm / 9,5 mm (3/8") (ειδικό της χώρας)
Μέγιστο πάχος τροχού		1,0 mm
Μέγιστη ικανότητα κοπής	Με κάλυμμα συλλογής σκόνης	13,5 mm
	Χωρίς κάλυμμα συλλογής σκόνης	16,0 mm
Όνομαστική ταχύτητα (n) / Ταχύτητα χωρίς φορτίο (n ₀)		20.000 min ⁻¹
Ολικό μήκος		271 mm *1
Όνομαστική τάση		D.C. 18 V
Καθαρό βάρος		1,2 - 1,7 kg

*1. Με κασέτα μπαταριών (BL1860B) / Χωρίς κάλυμμα συλλογής σκόνης

- Λόγω του συνεχιζόμενου προγράμματος έρευνας και ανάπτυξης, οι προδιαγραφές αυτές υπόκεινται σε αλλαγές χωρίς προειδοποίηση.
- Οι προδιαγραφές και η κασέτα μπαταριών μπορεί να διαφέρουν ανάλογα με τη χώρα.
- Το βάρος μπορεί να διαφέρει ανάλογα με τα προσαρτήματα, συμπεριλαμβánοντας την κασέτα μπαταριών. Ο ελαφρύτερος και ο βαρύτερος συνδυασμός, σύμφωνα με τη διαδικασία ΕΡΤΑ 01/2014, παρουσιάζονται στον πίνακα.

Ισχύουσα κασέτα μπαταριών και φορτιστής

Κασέτα μπαταρίας	BL1815N / BL1820B / BL1830B / BL1840B / BL1850B / BL1860B
Φορτιστής	DC18RC / DC18RD / DC18RE / DC18SD / DC18SE / DC18SF / DC18SH / DC18WC

- Ορισμένες από τις κασέτες και τους φορτιστές μπαταριών που αναγράφονται παραπάνω ίσως να μην είναι διαθέσιμοι, ανάλογα με την τοποθεσία κατοικίας σας.

⚠ ΠΡΟΕΙΔΟΠΟΙΗΣΗ: Να χρησιμοποιείτε μόνο τις κασέτες μπαταριών και τους φορτιστές που παρατίθενται ανωτέρω. Η χρήση οποιασδήποτε άλλης κασέτας μπαταριών ή φορτιστή μπορεί να προκαλέσει τραυματισμό ή/και πυρκαγιά.

Προοριζόμενη χρήση

Το εργαλείο προορίζεται για την κοπή φύλλων, ενώσεων, σωλήνων, πλακακιών ή τοίχου από μέταλλο, πλαστικό, κεραμικό, γύψο και παρόμοια σύνθετα υλικά χωρίς τη χρήση νερού.

Θόρυβος

Το τυπικό Α επίπεδο καταμετρημένου θορύβου καθορίζεται σύμφωνα με το EN60745-2-22:
 Στάθμη ηχητικής πίεσης (L_{PA}): 88 dB (A)
 Στάθμη ηχητικής ισχύος (L_{WA}): 99 dB (A)
 Αβεβαιότητα (K): 3 dB (A)

ΠΑΡΑΤΗΡΗΣΗ: Η δηλωμένη τιμή(ές) εκπομπής θορύβου έχει μετρηθεί σύμφωνα με την πρότυπη μέθοδο δοκιμής και μπορεί να χρησιμοποιηθεί για τη σύγκριση ενός εργαλείου με κάποιο άλλο.

ΠΑΡΑΤΗΡΗΣΗ: Η δηλωμένη τιμή(ές) εκπομπής θορύβου μπορεί να χρησιμοποιηθεί και στην προκαταρκτική αξιολόγηση της έκθεσης.

⚠ ΠΡΟΕΙΔΟΠΟΙΗΣΗ: Να φοράτε ωτοασπίδες.

⚠ ΠΡΟΕΙΔΟΠΟΙΗΣΗ: Η εκπομπή θορύβου κατά τη χρήση του ηλεκτρικού εργαλείου σε πραγματικές συνθήκες μπορεί να διαφέρει από τη δηλωμένη τιμή(ές) ανάλογα με τους τρόπους χρήσης του εργαλείου, ιδιαίτερα το είδος του τεμαχίου εργασίας που υπόκειται επεξεργασία.

⚠ ΠΡΟΕΙΔΟΠΟΙΗΣΗ: Φροντίστε να λάβετε τα κατάλληλα μέτρα προστασίας του χειριστή βάσει ενός υπολογισμού της έκθεσης σε πραγματικές συνθήκες χρήσης (λαμβάνοντας υπόψη όλες τις συνιστώσες του κύκλου λειτουργίας όπως τους χρόνους που το εργαλείο είναι εκτός λειτουργίας και όταν βρίσκεται σε αδρανή λειτουργία πέραν του χρόνου ενεργοποίησης).

Κραδασμός

Η ολική τιμή δόνησης (άθροισμα τρι-αξονικού διανύσματος) καθορίζεται σύμφωνα με το EN60745-2-22: Είδος εργασίας: κοπή σκυροδέματος (πάχος 5 mm) Εκπομπή δόνησης (a_{h1}): 3,0 m/s² Αβεβαιότητα (K): 1,5 m/s²

ΠΑΡΑΤΗΡΗΣΗ: Η δηλωμένη τιμή(ές) συνολικών κραδασμών έχει μετρηθεί σύμφωνα με την πρότυπη μέθοδο δοκιμής και μπορεί να χρησιμοποιηθεί για τη σύγκριση ενός εργαλείου με κάποιο άλλο.

ΠΑΡΑΤΗΡΗΣΗ: Η δηλωμένη τιμή(ές) συνολικών κραδασμών μπορεί να χρησιμοποιηθεί και στην προκαταρκτική αξιολόγηση της έκθεσης.

⚠️ ΠΡΟΕΙΔΟΠΟΙΗΣΗ: Η εκπομπή κραδασμών κατά τη χρήση του ηλεκτρικού εργαλείου σε πραγματικές συνθήκες μπορεί να διαφέρει από τη δηλωμένη τιμή(ές) εκπομπής ανάλογα με τους τρόπους χρήσης του εργαλείου, ιδιαίτερα το είδος του τεμαχίου εργασίας που υπόκειται επεξεργασία.

⚠️ ΠΡΟΕΙΔΟΠΟΙΗΣΗ: Φροντίστε να λάβετε τα κατάλληλα μέτρα προστασίας του χειριστή βάσει ενός υπολογισμού της έκθεσης σε πραγματικές συνθήκες χρήσης (λαμβάνοντας υπόψη όλες τις συνιστώσες του κύκλου λειτουργίας όπως τους χρόνους που το εργαλείο είναι εκτός λειτουργίας και όταν βρίσκεται σε αδρανή λειτουργία πέραν του χρόνου ενεργοποίησης).

Δήλωση Συμμόρφωσης

Μόνο για χώρες της Ευρώπης

Οι Δηλώσεις Συμμόρφωσης περιλαμβάνονται στο Παράρτημα Α στο παρόν εγχειρίδιο οδηγιών.

ΠΡΟΕΙΔΟΠΟΙΗΣΕΙΣ ΑΣΦΑΛΕΙΑΣ

Γενικές προειδοποιήσεις ασφαλείας για το ηλεκτρικό εργαλείο

⚠️ ΠΡΟΕΙΔΟΠΟΙΗΣΗ Διαβάστε όλες τις προειδοποιήσεις ασφαλείας, οδηγίες, εικονογραφίες και προδιαγραφές που παρέχονται με αυτό το ηλεκτρικό εργαλείο. Η μη τήρηση όλων των οδηγιών που αναγράφονται κατωτέρω μπορεί να καταλήξει σε ηλεκτροπληξία, πυρκαγιά ή/και σοβαρό τραυματισμό.

Φυλάξτε όλες τις προειδοποιήσεις και τις οδηγίες για μελλοντική παραπομπή.

Στις προειδοποιήσεις, ο όρος «ηλεκτρικό εργαλείο» αναφέρεται σε ηλεκτρικό εργαλείο που τροφοδοτείται από την κύρια παροχή ηλεκτρικού ρεύματος (με ηλεκτρικό καλώδιο) ή σε ηλεκτρικό εργαλείο που τροφοδοτείται από μπαταρία (χωρίς ηλεκτρικό καλώδιο).

Προειδοποιήσεις ασφαλείας για το συμπαγές εργαλείο αποκοπής

1. Το προστατευτικό που παρέχεται με το εργαλείο πρέπει να είναι συνδεδεμένο με ασφάλεια στο ηλεκτρικό εργαλείο και τοποθετημένο για μέγιστη ασφάλεια, με τρόπο ώστε το μικρότερο δυνατό μέρος του τροχού να είναι εκτεθειμένο προς το χειριστή. Εσείς και οι παρευρισκόμενοι να στέκεστε μακριά από το επίπεδο περιστροφής του τροχού. Το προστατευτικό βοηθάει στην προστασία του χειριστή από στασασμένα κομμάτια τροχού και τυχαία επαφή με τον τροχό.
2. Να χρησιμοποιείτε μόνο συνδεδεμένους ενισχυμένους ή διαμαντένιους τροχούς κοπής για το ηλεκτρικό εργαλείο σας. Η χρήση ενός εξαρτήματος απλά και μόνον επειδή μπορεί να χρησιμοποιηθεί στο ηλεκτρικό εργαλείο, δεν διασφαλίζει την ασφαλή λειτουργία του.
3. Η ονομαστική ταχύτητα του εξαρτήματος πρέπει να είναι τουλάχιστον ίση με τη μέγιστη ταχύτητα που αναγράφεται στο ηλεκτρικό εργαλείο. Εξαρτήματα τα οποία περιστρέφονται ταχύτερα από την ονομαστική ταχύτητά τους μπορεί να υποστούν θραύση και τα θραύσματα να εκτιναχθούν στον περιβάλλοντα χώρο.
4. Οι τροχοί πρέπει να χρησιμοποιούνται μόνο στις προβλεπόμενες εφαρμογές. Για παράδειγμα: μη λειανίετε με την πλευρική επιφάνεια του τροχού αποκοπής. Οι λειαντικοί τροχοί κοπής προορίζονται για περιφερειακό τρόχισμα. Η εφαρμογή ηλεκτρικών δυνάμεων σε αυτούς τους τροχούς μπορεί να προκαλέσει τη θραύση τους.
5. Να χρησιμοποιείτε πάντα φλάντζες τροχών που δεν έχουν υποστεί ζημιά και είναι κατάλληλης διαμέτρου για τον επιλεγμένο τροχό. Οι κατάλληλες φλάντζες τροχών υποστηρίζουν τους τροχούς και μειώνουν επομένως την πιθανότητα θραύσης τους.
6. Μην χρησιμοποιείτε φθαρμένους, ενισχυμένους εκ νέου τροχούς από μεγαλύτερα ηλεκτρικά εργαλεία. Οι τροχοί που προορίζονται για χρήση με ένα μεγαλύτερο ηλεκτρικό εργαλείο δεν είναι κατάλληλοι για την υψηλότερη ταχύτητα ενός μικρότερου εργαλείου και μπορεί να σπάσουν.
7. Η εξωτερική διάμετρος και το πάχος του εξαρτήματος πρέπει να είναι εντός της ονομαστικής ικανότητας του ηλεκτρικού εργαλείου. Σε εξαρτήματα εσφαλμένου μεγέθους δεν είναι εφικτή η παροχή επαρκούς προστασίας ή ελέγχου.
8. Το μέγεθος της σπής προσαρμογής σε άξονα των τροχών και των φλαντζών πρέπει να ταιριάζει απολύτως στον άξονα μετάδοσης κίνησης του ηλεκτρικού εργαλείου. Τροχοί και φλάντζες με σπές προσαρμογής οι οποίες δεν ταιριάζουν απολύτως στο εξάρτημα στερέωσης του ηλεκτρικού εργαλείου θα παρουσιάσουν υποβαθμισμένη ζυγοστάθμιση και υπερβολικούς κραδασμούς, ενδεχομένως και απώλεια ελέγχου.

9. Μην χρησιμοποιείτε τροχούς που έχουν υποστεί ζημία. Πριν από κάθε χρήση, επιθεωρήστε τους τροχούς για τεμαχίδια που λείπουν και ρωγμές. Σε περίπτωση πτώσης του ηλεκτρικού εργαλείου ή του τροχού, επιθεωρήστε για τυχόν ζημία ή τοποθετήστε έναν τροχό που δεν έχει υποστεί ζημία. Μετά από τον έλεγχο και την τοποθέτηση του τροχού, σταθείτε εσείς και οι παρευρισκόμενοι σε κατάλληλη θέση μακριά από το επίπεδο περιστροφής του τροχού και αφήστε το ηλεκτρικό εργαλείο σε λειτουργία στη μέγιστη ταχύτητα περιστροφής χωρίς φορτίο, για ένα λεπτό. Συνήθως, οι τροχοί που έχουν υποστεί ζημία διαλύονται, εντός του συγκεκριμένου χρόνου δοκιμής.
10. **Να φοράτε πάντα ωτοασπίδες. Ανάλογα με την εφαρμογή, να χρησιμοποιείτε προσωπίδα προστασίας, προστατευτικά γυαλιά ή προσωπίδες ή γυαλιά ασφάλειας. Όταν απαιτείται, να φοράτε μάσκα σκόνης, γάντια και ποδιά συνεργείου ικανά να παρέχουν προστασία από τα εκτινασσόμενα μικρά θραύσματα του λειαντικού μέσου ή του τεμαχίου εργασίας.** Τα προστατευτικά ματιών πρέπει να είναι ικανά να σταματήσουν τυχόν εκτινασσόμενα θραύσματα που δημιουργούνται κατά την εκτέλεση διαφόρων εργασιών. Η μάσκα σκόνης ή η αναπνευστική συσκευή πρέπει να είναι ικανές να φιλτράρουν τα σωματίδια που δημιουργούνται κατά την εκτέλεση των εργασιών σας. Η παρατεταμένη έκθεση σε θόρυβο υψηλής έντασης μπορεί να προκαλέσει απώλεια ακοής.
11. Φροντίστε ώστε οι παρευρισκόμενοι να βρίσκονται σε ασφαλή απόσταση από τη θέση εργασίας. Οποιοσδήποτε εισέρχεται στο χώρο εργασίας πρέπει να φορά εξοπλισμό ατομικής προστασίας. Θραύσματα του τεμαχίου εργασίας ή ενός τροχού που έχει υποστεί θραύση μπορεί να εκτιναχθούν και να προκαλέσουν τραυματισμό πέραν των ορίων του άμεσου χώρου εκτέλεσης εργασιών.
12. **Να κρατάτε το ηλεκτρικό εργαλείο μόνο από τις μονωμένες επιφάνειες χειρολαβής όταν εκτελείτε μια εργασία κατά την οποία το κοπτικό εξάρτημα μπορεί να έρθει σε επαφή με κρυμμένα καλώδια.** Σε περίπτωση επαφής του εξαρτήματος κοπής με ηλεκτροφόρο καλώδιο, μπορεί τα εκτεθειμένα μεταλλικά εξαρτήματα του ηλεκτρικού εργαλείου να καταστούν τα ίδια ηλεκτροφόρα και να προκαλέσουν ηλεκτροπληξία στο χειριστή.
13. **Μην αφήνετε ποτέ το ηλεκτρικό εργαλείο κάτω, πριν σταματήσει πλήρως η περιστροφή του εξαρτήματος.** Ο περιστρεφόμενος τροχός μπορεί να εμπλακεί στην επιφάνεια και να τραβήξει το ηλεκτρικό εργαλείο εκτός του ελέγχου σας.
14. **Μην θέσετε το ηλεκτρικό εργαλείο σε λειτουργία, ενώ το μεταφέρετε στο πλάι σας.** Η τυχόν επαφή με το περιστρεφόμενο εξάρτημα μπορεί να προκαλέσει πιάσιμο στα ρούχα σας και να τραβήξει το εξάρτημα μέσα στο σώμα σας.
15. **Να καθαρίζετε τακτικά τις σπές αερισμού του ηλεκτρικού εργαλείου.** Ο ανεμιστήρας του μοτέρ προκαλεί αναρρόφηση της σκόνης στο εσωτερικό του περιβλήματος και η υπερβολική συσώρευση κοινοτροποποιημένου μετάλλου μπορεί να εγκυμονεί ηλεκτρικούς κινδύνους.
16. **Μην χειρίζεστε το ηλεκτρικό εργαλείο κοντά σε εύφλεκτα υλικά.** Οι σπινθήρες μπορεί να προκαλέσουν ανάφλεξη των συγκεκριμένων υλικών.
17. **Μην χρησιμοποιείτε εξαρτήματα που χρειάζονται ψυκτικά υγρά.** Η χρήση νερού ή άλλων ψυκτικών υγρών μπορεί να προκαλέσουν ηλεκτροπληξία ή σοκ.

Κλότσημα και σχετικές προειδοποιήσεις

Το κλότσημα είναι μια ξαφνική αντίδραση λόγω σύσφιξης ή σκαλώματος του περιστρεφόμενου τροχού. Η σύσφιξη ή το σκάλωμα προκαλεί ταχεία απώλεια ελέγχου του περιστρεφόμενου τροχού ο οποίος στη συνέχεια υποχρεώνει το ανεξέλεγκτο ηλεκτρικό εργαλείο σε περιστροφή προς την αντίθετη κατεύθυνση από εκείνη του τροχού στο σημείο εμπλοκής. Για παράδειγμα, εάν ένας λειαντικός τροχός περιέλθει σε σύσφιξη ή σκάλωμα στο τεμάχιο εργασίας, η ακμή του τροχού που εισέρχεται στο σημείο σύσφιξης μπορεί να σκάψει την επιφάνεια του υλικού προκαλώντας την αναπήδηση ή το κλότσημα του τροχού. Ο τροχός μπορεί να αναπηδήσει προς το μέρος του χειριστή ή αντίθετα να απομακρυνθεί από αυτόν, ανάλογα με τη φορά περιστροφής του τροχού στο σημείο σύσφιξης. Υπό αυτές τις συνθήκες, οι λειαντικοί τροχοί μπορεί επίσης να υποστούν θραύση.

Το κλότσημα είναι αποτέλεσμα κακής χρήσης ή/και εσφαλμένων διαδικασιών ή συνθηκών χειρισμού και είναι δυνατόν να αποφευχθεί λαμβάνοντας κατάλληλες προφυλάξεις, όπως περιγράφονται κατωτέρω.

- Κρατήστε σταθερά το ηλεκτρικό εργαλείο και τοποθετήστε το σώμα και το βραχιόνι σας σε κατάλληλη θέση, ώστε να είναι δυνατόν να προβάλλετε αντίσταση στις δυνάμεις κλοστήματος. Να χρησιμοποιείτε πάντα βοηθητική λαβή, εάν παρέχεται, για μέγιστο βαθμό ελέγχου του κλοστήματος ή της ροπής αντίδρασης κατά την εκκίνηση.** Ο χειριστής μπορεί να ελέγξει τις ροπές αντίδρασης ή τις δυνάμεις κλοστήματος, εάν λαμβάνονται οι κατάλληλες προφυλάξεις.
- Μην πλησιάζετε ποτέ το χέρι σας κοντά στο περιστρεφόμενο εξάρτημα.** Το εξάρτημα μπορεί να αναπηδήσει πάνω στο χέρι σας.
- Μην ευθυγραμμίζετε το σώμα σας με τον περιστρεφόμενο τροχό.** Το κλότσημα ωθεί το εργαλείο σε κατεύθυνση αντίθετη από εκείνη της κίνησης του τροχού στο σημείο σκαλώματος.
- Δώστε ιδιαίτερη προσοχή όταν εργάζεστε σε γωνίες, κοφτερές ακμές, κλπ. Να αποφεύγετε την αναπήδηση και το σκάλωμα του εξαρτήματος.** Οι γωνίες, οι κοφτερές ακμές ή η αναπήδηση έχουν την τάση να προκαλούν σκάλωμα του περιστρεφόμενου εξαρτήματος και απώλεια ελέγχου ή κλότσημα.
- Μην προσαρμόζετε αλυσοπρίονο, λεπίδα ξυλογλυπτικής, τμηματικό διαμαντοτροχό με περιφερειακό κενό μεγαλύτερο από 10 mm ή οδοντωτή λεπίδα πριονιού.** Οι λεπίδες αυτού του τύπου προκαλούν συχνά κλότσημα και απώλεια ελέγχου.
- Μην προκαλείτε «μάγκωμα» του τροχού και μην ασκείτε υπερβολική πίεση. Μην επιχειρείτε να δημιουργήσετε τομή υπερβολικού βάθους.** Η άσκηση υπερβολικής δύναμης στον τροχό αυξάνει το φορτίο και τη δεκτικότητα σε συστοργή ή εμπλοκή του τροχού εντός της τομής και την πιθανότητα κλοστήματος ή θραύσης του τροχού.

Σημαντικές οδηγίες ασφάλειας για κασέτα μπαταριών

7. Σε περίπτωση εμπλοκής του τροχού ή διακοπής της εργασίας για τη δημιουργία τομής για οποιοδήποτε λόγο, απενεργοποιήστε το ηλεκτρικό εργαλείο και κρατήστε το ακίνητο, έως ότου ο τροχός ακινητοποιηθεί πλήρως. Μην επιχειρήσετε ποτέ να αφαιρέσετε τον τροχό από την τομή, ενώ ο τροχός κινείται, επειδή μπορεί να παρουσιαστεί κλότσημα. Ερευνήστε και λάβετε διορθωτικά μέτρα για να εξαλειφθεί η αιτία εμπλοκής του τροχού.
8. Μην επαναλάβετε την εργασία δημιουργίας τομής στο τεμάχιο εργασίας. Αφήστε τον τροχό να αποκτήσει μέγιστη ταχύτητα και εισαγάγετε ξανά τον τροχό στην τομή με προσοχή. Ο τροχός μπορεί να παρουσιάσει εμπλοκή, αναπήδηση ή κλότσημα, εάν ενεργοποιήσετε το ηλεκτρικό εργαλείο, ενώ βρίσκεται εντός του τεμαχίου εργασίας.
9. Να στηρίζετε τα πάνελ ή οποιοδήποτε υπερμέγεθες τεμάχιο εργασίας, ώστε να ελαχιστοποιηθεί ο κίνδυνος σύσφιξης και κλοστήματος του τροχού. Τα μεγάλα τεμάχια εργασίας τείνουν να παρουσιάζουν κάμψη προς τα κάτω λόγω του βάρους τους. Πρέπει να τοποθετούνται υποστηρίγματα κάτω από το τεμάχιο εργασίας κοντά στη γραμμή κοπής και κοντά στο άκρο του τεμαχίου εργασίας και στις δύο πλευρές του τροχού.
10. Να είστε ιδιαίτερα προσεκτικοί όταν δημιουργείτε μια «τομή-κοιλότητα» σε υπάρχοντες τοίχους ή άλλες τυφλές περιοχές. Ο προεξέχων τροχός μπορεί να κόψει σωλήνες αερίου ή ύδρευσης, ηλεκτρικές καλωδιώσεις ή αντικείμενα που μπορούν να προκαλέσουν κλότσημα.
11. Πριν χρησιμοποιήσετε τμηματικό διαμαντοτροχό, βεβαιωθείτε ότι ο διαμαντοτροχός έχει περιφερειακό κενό μεταξύ των τμημάτων ίσο με 10 mm ή μικρότερο, μόνο με αρνητική γωνία κοπής.

Πρόσθετες προειδοποιήσεις ασφάλειας:

1. Μην επιχειρήσετε ποτέ να κόψετε με το εργαλείο στερεωμένο ανάποδα σε μια μέγγενη. Αυτό μπορεί να προκαλέσει σοβαρά ατυχήματα επειδή είναι εξαιρετικά επικίνδυνο.
2. Ελέγξτε αν το τεμάχιο εργασίας στηρίζεται κατάλληλα.
3. Μερικά υλικά περιέχουν χημικά που μπορεί να είναι τοξικά. Προσέχετε ώστε να αποφεύγετε την εισπνοή σκόνης και την επαφή με το δέρμα. Ακολουθείτε τα δεδομένα ασφάλειας υλικού που παρέχονται από τον προμηθευτή.
4. Αποθηκεύστε τους τροχούς σύμφωνα με τις συστάσεις του κατασκευαστή. Η λανθασμένη αποθήκευση μπορεί να προκαλέσει ζημιά στους τροχούς.

ΦΥΛΑΞΕΤΕ ΑΥΤΕΣ ΤΙΣ ΟΔΗΓΙΕΣ.

▲ ΠΡΟΕΙΔΟΠΟΙΗΣΗ: ΜΗΝ επιτρέψετε στην άνεση ή στην εξοικείωσή σας με το προϊόν (που αποκτήθηκε από επανειλημμένη χρήση) να αντικαταστήσει την αυστηρή τήρηση των κανόνων ασφαλείας του παρόντος εργαλείου. Η ΛΑΝΘΑΣΜΕΝΗ ΧΡΗΣΗ ή η αμέλεια να ακολουθήσετε τους κανόνες ασφάλειας που διατυπώνονται στο παρόν εγχειρίδιο οδηγιών μπορεί να προκαλέσει σοβαρό προσωπικό τραυματισμό.

1. Πριν χρησιμοποιήσετε την κασέτα μπαταριών, διαβάστε όλες τις οδηγίες και σημειώσεις προφύλαξης (1) στον φορητό μπαταριών, (2) στην μπαταρία και (3) στο προϊόν που χρησιμοποιείτε την μπαταρία.
2. Μην αποσυναρμολογήσετε ή παραβιάσετε την κασέτα μπαταριών. Μπορεί να έχει ως αποτέλεσμα πυρκαγιά, υπερθέρμανση ή έκρηξη.
3. Εάν ο χρόνος λειτουργίας έχει γίνει υπερβολικά βραχύς, σταματήστε τη λειτουργία αμέσως. Αλλιώς, μπορεί να έχει ως αποτέλεσμα κίνδυνο υπερθέρμανσης, πιθανά εγκαύματα ή ακόμη και έκρηξη.
4. Εάν ηλεκτρολύτης μπει στα μάτια σας, ξεπλύνετε τα με καθαρό νερό και ζητήστε ιατρική φροντίδα αμέσως. Αλλιώς, μπορεί να έχει ως αποτέλεσμα απώλεια της όρασής σας.
5. Μην βραχυκυκλώνετε την κασέτα μπαταριών:
 - (1) Μην αγγίζετε τους πόλους με οτιδήποτε αγώγιμο υλικό.
 - (2) Αποφεύγετε να αποθηκεύετε την κασέτα μπαταριών μέσα σε ένα δοχείο μαζί με άλλα μεταλλικά αντικείμενα όπως καρφιά, νομίσματα, κλπ.
 - (3) Μην εκθέτετε την κασέτα μπαταριών στο νερό ή στη βροχή.Ένα βραχυκύκλωμα μπαταρίας μπορεί να προκαλέσει μεγάλη ροή ρεύματος, υπερθέρμανση, πιθανά εγκαύματα ακόμη και σοβαρή βλάβη.
6. Μην αποθηκεύετε και μην χρησιμοποιείτε το εργαλείο και την κασέτα μπαταριών σε τοποθεσίες όπου η θερμοκρασία μπορεί να φτάσει ή να ξεπεράσει τους 50°C.

7. Μην καίτε την κασέτα μπαταριών ακόμη και εάν έχει σοβαρή ζημιά ή είναι εντελώς φθαρμένη. Η κασέτα μπαταριών μπορεί να εκραγεί στη φωτιά.
8. Μην καρφώσετε, κόψετε, συνθλίψετε, πετάξετε ή ριζέτε κάτω την κασέτα μπαταριών, ούτε να χτυπήσετε ένα σκληρό αντικείμενο επάνω στην κασέτα μπαταριών. Τέτοια συμπεριφορά μπορεί να έχει ως αποτέλεσμα πυρκαγιά, υπερθέρμανση ή έκρηξη.
9. Μην χρησιμοποιείτε μπαταρία που έχει υποστεί ζημιά.
10. Οι μπαταρίες ιόντων λιθίου που περιέχονται υπόκεινται στις απαιτήσεις της νομοθεσίας για επικίνδυνα αγαθά.

Για εμπορικές μεταφορές, για παράδειγμα από τρίτα μέρη, πρέπει να τηρούνται οι διαμεταφορές, οι ειδικές απαιτήσεις στη συσκευασία και η επισήμανση.

Για προετοιμασία του στοιχείου που αποστέλλεται, είναι απαραίτητο να συμβουλευτείτε έναν ειδικό για επικίνδυνα υλικά. Επίσης, τηρήστε τους πιθανούς, πιο αναλυτικούς εθνικούς κανονισμούς. Καλύψτε με αυτοκόλλητη ταινία ή κρύψτε τις ανοικτές επαφές και συσκευάστε την μπαταρία με τρόπο που να μην μπορεί να μετακινείται μέσα στη συσκευασία.

- Όταν απορρίπτετε την κασέτα μπαταριών, αφαιρέστε την από το εργαλείο και διαθέστε την σε ένα ασφαλές μέρος. Τηρήστε τους τοπικούς κανονισμούς που σχετίζονται με τη διάθεση της μπαταρίας.
- Χρησιμοποιήστε τις μπαταρίες μόνο με τα προϊόντα που καθορίζει η Makita. Αν τοποθετήσετε τις μπαταρίες σε μη συμβατά προϊόντα μπορεί να έχει ως αποτέλεσμα πυρκαγιά, υπερβολική θερμότητα, έκρηξη ή διαρροή ηλεκτρολύτη.
- Αν δεν χρησιμοποιείτε το εργαλείο για μεγάλο χρονικό διάστημα, πρέπει να βγάλετε την μπαταρία από το εργαλείο.
- Κατά τη διάρκεια και μετά τη χρήση, η κασέτα μπαταριών μπορεί να θερμανθεί, γεγονός που μπορεί να προκαλέσει εγκαύματα ή εγκαύματα από χαμηλή θερμοκρασία. Προσέχετε το χειρισμό των ζεστών κασετών μπαταριών.
- Μην αγγίζετε τον ακροδέκτη του εργαλείου αμέσως μετά τη χρήση επειδή μπορεί να έχει ζεσταθεί αρκετά για να προκαλέσει εγκαύματα.
- Μην αφήνετε θραύσματα, σκόνη ή βρομιά να κολλήσει στους ακροδέκτες, τις οπές και τις εγκοπές της κασέτας μπαταριών. Μπορεί να προκαλέσει θέρμανση, φωτιά, έκρηξη και δυσλειτουργία του εργαλείου ή της κασέτας μπαταριών, έχοντας ως αποτέλεσμα εγκαύματα ή προσωπικό τραυματισμό.
- Εκτός αν το εργαλείο υποστηρίζει τη χρήση κοντά σε ηλεκτρικές γραμμές υψηλής τάσης, μην χρησιμοποιείτε την κασέτα μπαταριών κοντά σε ηλεκτρικές γραμμές υψηλής τάσης. Μπορεί να έχει ως αποτέλεσμα δυσλειτουργία ή σπάσιμο του εργαλείου ή της κασέτας μπαταριών.
- Κρφυλάξτε την μπαταρία μακριά από παιδιά.

ΦΥΛΑΞΤΕ ΤΙΣ ΟΔΗΓΙΕΣ ΑΥΤΕΣ.

▲ΠΡΟΣΟΧΗ: Να χρησιμοποιείτε μόνο γνήσιες μπαταρίες της Makita. Η χρήση μη γνήσιων μπαταριών Makita, ή μπαταριών που έχουν τροποποιηθεί, μπορεί να έχει ως αποτέλεσμα τη ρήξη της μπαταρίας, προκαλώντας πυρκαγιά, προσωπικό τραυματισμό και βλάβη. Επίσης, θα ακυρωθεί η εγγύηση της Makita για το εργαλείο και φορτιστή Makita.

Συμβουλές για τη διατήρηση της μέγιστης ζωής μπαταρίας

- Φορτίζετε την κασέτα μπαταριών πριν από την πλήρη αποφόρτιση της. Πάντοτε να σταματάτε τη λειτουργία του εργαλείου και να φορτίζετε την κασέτα μπαταριών όταν παρατηρείτε μειωμένη ισχύ εργαλείου.
- Ποτέ μην επαναφορτίζετε μια πλήρως φορτισμένη κασέτα μπαταριών. Η υπερφόρτιση μειώνει την ωφέλιμη ζωή της μπαταρίας.
- Να φορτίζετε την κασέτα μπαταριών σε θερμοκρασία δωματίου, δηλαδή στους 10 °C έως 40 °C. Αφήστε μια θερμή κασέτα μπαταριών να κρυώσει πριν την φορτίσετε.
- Όταν δεν χρησιμοποιείτε την κασέτα μπαταριών, αφαιρέστε την από το εργαλείο ή τον φορτιστή.
- Να φορτίζετε την κασέτα μπαταριών εάν δεν τη χρησιμοποιείτε για μεγάλη χρονική περίοδο (περισσότερο από έξι μήνες).

ΠΕΡΙΓΡΑΦΗ ΛΕΙΤΟΥΡΓΙΑΣ

▲ΠΡΟΣΟΧΗ: Να φροντίζετε πάντα για την απενεργοποίηση του εργαλείου και την αφαίρεση της κασέτας μπαταρίας, πριν από οποιαδήποτε ρύθμιση ή έλεγχο της λειτουργίας του.

Τοποθέτηση ή αφαίρεση της κασέτας μπαταριών

▲ΠΡΟΣΟΧΗ: Να σβήνετε πάντα το εργαλείο πριν τοποθετήσετε ή αφαιρέσετε την κασέτα μπαταριών.

▲ΠΡΟΣΟΧΗ: Κρατήστε το εργαλείο και την κασέτα μπαταριών σταθερά κατά την τοποθέτηση ή αφαίρεση της κασέτας μπαταριών. Εάν δεν κρατάτε το εργαλείο και την κασέτα μπαταριών σταθερά μπορεί να γλιστρήσουν από τα χέρια σας και να προκληθεί βλάβη στο εργαλείο και την κασέτα μπαταριών και προσωπικός τραυματισμός.

► **Εικ. 1:** 1. Κόκκινος δείκτης 2. Κουμπί 3. Κασέτα μπαταριών

Για να αφαιρέσετε την κασέτα μπαταριών, ολισθήστε την από το εργαλείο ενώ σύρετε το κουμπί στο μπροστινό μέρος της κασέτας.

Για να τοποθετήσετε την κασέτα μπαταριών, ευθυγραμμίστε τη γλώσσα στην κασέτα μπαταριών με την εγκοπή στο περίβλημα και ολισθήστε τη στη θέση της. Τοποθετήστε την μέχρι τέρμα μέχρι να ασφαλίσει στη θέση της, γεγονός που υποδεικνύεται με ένα χαρακτηριστικό ήχο. Αν μπορείτε να δείτε τον κόκκινο δείκτη όπως απεικονίζεται στην εικόνα, δεν έχει κλειδώσει τελείως.

▲ΠΡΟΣΟΧΗ: Να τοποθετείτε πάντα την κασέτα μπαταριών πλήρως μέχρι να μη βλέπετε τον κόκκινο δείκτη. Εάν δεν ασφαλίσει, μπορεί να πέσει από το εργαλείο τυχαία, προκαλώντας σωματική βλάβη σε εσάς ή κάποιον άλλο γύρω σας.

▲ΠΡΟΣΟΧΗ: Μην τοποθετείτε την κασέτα μπαταριών με βία. Εάν η κασέτα δεν ολισθαίνει με ευκολία, τότε δεν έχει τοποθετηθεί κατάλληλα.

Εμφάνιση υπολειπόμενης χωρητικότητας μπαταρίας

Μόνο για κασέτες μπαταρίας με την ενδεικτική λυχνία

► **Εικ.2:** 1. Ενδεικτικές λυχνίες 2. Κουμπί ελέγχου

Πιέστε το κουμπί ελέγχου στην κασέτα μπαταριών για να υποδείξετε την υπολειπόμενη χωρητικότητα μπαταρίας. Οι ενδεικτικές λυχνίες ανάβουν για λίγα δευτερόλεπτα.

Ενδεικτικές λυχνίες			Υπολει- πόμενη χωρητικότητα
Αναμμένες	Σβηστές	Αναβο- σβήνουν	
■	□	▧	75% έως 100%
■	■	■	
■	■	□	
■	□	□	
■	□	□	
▧	□	□	
■	■	□	50% έως 75%
■	■	□	
■	■	□	25% έως 50%
■	□	□	
■	□	□	0% έως 25%
■	□	□	
▧	□	□	Φορτίστε την μπαταρία.
■	■	□	Μπορεί να πρόκειται δυσλειτουργ- γία στην μπαταρία.
□	□	■	

ΠΑΡΑΤΗΡΗΣΗ: Ανάλογα με τις συνθήκες χρήσης και τη θερμοκρασία περιβάλλοντος, η ένδειξη μπορεί να διαφέρει λίγο από την πραγματική χωρητικότητα.

ΠΑΡΑΤΗΡΗΣΗ: Η πρώτη (τέρμα αριστερά) ενδεικτική λυχνία θα αναβοσβήνει όταν λειτουργεί το σύστημα προστασίας μπαταρίας.

Σύστημα προστασίας εργαλείου/ μπαταρίας

Το εργαλείο είναι εξοπλισμένο με σύστημα προστασίας εργαλείου/μπαταρίας. Αυτό το σύστημα αποκόπτει αυτόματα την ισχύ προς το μοτέρ για να παραταθεί η διάρκεια λειτουργίας του εργαλείου και της μπαταρίας. Το εργαλείο σταματάει αυτόματα κατά τη διάρκεια της λειτουργίας εάν το εργαλείο ή η μπαταρία βρεθούν κάτω από τις παρακάτω συνθήκες. Σε μερικές συνθήκες, οι ενδείξεις ανάβουν.

Προστασία υπερφόρτωσης

Όταν το εργαλείο/μπαταρία λειτουργεί με τρόπο που προκαλεί την κατανάλωση ενός ασυνήθιστα υψηλού ηλεκτρικού ρεύματος, το εργαλείο σταματάει αυτόματα και η λάμπα λειτουργίας αναβοσβήνει. Σε αυτή την κατάσταση, απενεργοποιήστε το εργαλείο και διακόψτε την εφαρμογή που προκαλεί την υπερφόρτωση του εργαλείου. Μετά, ενεργοποιήστε το εργαλείο για επανεκκίνηση.

Προστασία υπερθέρμανσης

Όταν το εργαλείο/μπαταρία υπερθερμανθεί, η λειτουργία του εργαλείου σταματάει αυτόματα και η λάμπα λειτουργίας αναβοσβήνει. Σε αυτή την κατάσταση, αφήστε το εργαλείο να ψυχθεί πριν ενεργοποιήσετε ξανά το εργαλείο.

Προστασία υπερβολικής αποφόρτισης

Όταν η χωρητικότητα μπαταρίας είναι χαμηλή, η λειτουργία του εργαλείου σταματάει αυτόματα. Αν το εργαλείο δεν λειτουργεί μαζί με τη λειτουργία διακόπτη, αφαιρέστε την μπαταρία από το εργαλείο και φορτίστε την.

Προστασία και από άλλες αιτίες

Το σύστημα προστασίας έχει επίσης σχεδιαστεί για άλλες αιτίες που μπορούν να προκαλέσουν ζημιά στο εργαλείο και επιτρέπει την αυτόματη διακοπή του εργαλείου. Λάβετε όλα τα ακόλουθα βήματα για να διορθώσετε τις αιτίες, όταν το εργαλείο τεθεί σε προσωρινή διακοπή ή διακοπή κατά τη διάρκεια της λειτουργίας.

1. Απενεργοποιήστε το εργαλείο και, στη συνέχεια, ενεργοποιήστε το ξανά για να επανεκκινήσει.
2. Φορτίστε τη μπαταρία ή τις μπαταρίες ή αντικαταστήστε τις με επαναφορτιζόμενες μπαταρίες.
3. Αφήστε το εργαλείο και τις μπαταρίες να ψυχθούν.

Εάν δεν υπάρχει βελτίωση με την επαναφορά του συστήματος προστασίας, επικοινωνήστε με το τοπικό σας κέντρο εξυπηρέτησης της Makita.

Δράση διακόπτη

▲ΠΡΟΕΙΔΟΠΟΙΗΣΗ: Μη χρησιμοποιείτε ΠΟΤΕ το εργαλείο αν μπορείτε να το θέσετε σε λειτουργία πιεζόντας απλά τη σκανδάλη διακόπτη, χωρίς να τραβήξετε και το κουμπί κλειδώματος. Ένας διακόπτης που απαιτεί επισκευή μπορεί να προκαλέσει ακούσια λειτουργία και σοβαρό ατομικό τραυματισμό. Στείλτε το εργαλείο σε κέντρο εξυπηρέτησης της Makita για να το επισκευάσουν σωστά ΠΡΙΝ το χρησιμοποιήσετε ξανά.

▲ΠΡΟΕΙΔΟΠΟΙΗΣΗ: Μην παρακάμπετε ΠΟΤΕ το κουμπί κλειδώματος συγκρατώντας το πιεσμένο με αυτοκόλλητη ταινία ή άλλο μέσο. Ένας διακόπτης με παραβιασμένο κουμπί κλειδώματος μπορεί να προκαλέσει ακούσια λειτουργία και σοβαρό ατομικό τραυματισμό.

▲ΠΡΟΣΟΧΗ: Πριν βάλετε την κασέτα μπαταρίας μέσα στο εργαλείο, να ελέγχετε πάντα να δείτε αν η σκανδάλη διακόπτης ενεργοποιείται κανονικά και επιστρέφει στη θέση «OFF» όταν ελευθερώνεται.

▲ΠΡΟΣΟΧΗ: Μην τραβήξετε τη σκανδάλη διακόπτη δυνατά χωρίς να πατήσετε το κουμπί κλειδώματος. Μπορεί να σπάσει ο διακόπτης.

▲ΠΡΟΣΟΧΗ: Το εργαλείο αρχίζει να φρενάρει την περιστροφή του τροχού αμέσως μόλις αφήσετε τη σκανδάλη διακόπτη. Κρατήστε το εργαλείο σταθερά για να ανταποκριθείτε στην αντίδραση του φρένου όταν αφήσετε τη σκανδάλη διακόπτη. Με την αιφνίδια αντίδραση το εργαλείο μπορεί να πέσει από τα χέρια σας και να προκαλέσει προσωπικό τραυματισμό.

Για να εμποδιστεί το τυχαίο τράβηγμα της σκανδάλης διακόπτη, υπάρχει ένα κουμπί κλειδώματος. Για να ξεκινήσετε τη λειτουργία του εργαλείου, πατήστε παρατεταμένα το κουμπί κλειδώματος και, στη συνέχεια, τραβήξτε τη σκανδάλη διακόπτη. Ελευθερώστε τη σκανδάλη διακόπτη για να σταματήσει.

► **Εικ.3:** 1. Σκανδάλη διακόπτης 2. Κουμπί απασφάλισης

Επιλογή τροχού

▲ ΠΡΟΣΟΧΗ: Η ονομαστική ταχύτητα του εξαρτήματος πρέπει να είναι τουλάχιστον ίση με τη μέγιστη ταχύτητα που αναγράφεται στο ηλεκτρικό εργαλείο. Εξαρτήματα τα οποία περιστρέφονται ταχύτερα από την ονομαστική ταχύτητά τους μπορεί να υποστούν θραύση και τα θραύσματα να εκτιναχθούν στον περιβάλλοντα χώρο.

▲ ΠΡΟΣΟΧΗ: Οι τροχοί πρέπει να χρησιμοποιούνται μόνο στις προβλεπόμενες εφαρμογές.

Επιλέξτε έναν από τους πιο κατάλληλους τύπους τροχών αποκοπής ανάλογα με την εφαρμογή σας.

Τύπος τροχού	Πρακτικές εφαρμογές
Τροχός αποκοπής	Κοπή χάλυβα, ανοξείδωτου χάλυβα, μετάλλων
Λειαντικός τροχός καρβιδίου βολφραμίου	Κοπή πλαστικών, γύψου, σύνθετων υλικών
Διαμαντοτροχός	Κοπή πλακακιών, κεραμικών

Κατεύθυνση περιστροφής τροχού

▲ ΠΡΟΣΟΧΗ: Να ελέγχετε πάντα τη διεύθυνση περιστροφής πριν από τη λειτουργία.

▲ ΠΡΟΣΟΧΗ: Να χρησιμοποιείτε τον διακόπτη αντιστροφής μόνο αφού το εργαλείο σταματήσει εντελώς. Μια ξαφνική αλλαγή στην κατεύθυνση περιστροφής κατά τη διάρκεια της λειτουργίας μπορεί να ακινητοποιήσει απότομα το εργαλείο για λόγους ασφαλείας.

Η περιστροφή τροχού μπορεί να αλλάξει είτε σε εμπρόσθια είτε σε αντίστροφη κατεύθυνση. Για να ρυθμίσετε στην εμπρόσθια περιστροφή, σύρετε τον διακόπτη αντιστροφής στα αριστερά μέχρι να εμφανιστεί η ένδειξη «F» στον διακόπτη. Για να επιλέξετε την αντίστροφη κατεύθυνση, σύρετε τον διακόπτη αντιστροφής στα δεξιά μέχρι να εμφανιστεί η ένδειξη «R» στον διακόπτη.

► **Εικ.4:** 1. Διακόπτης αντιστροφής

Τα ροκανίδια, θραύσματα, σπινθήρες και σωματίδια κοπής τείνουν να πετάνονται κατά μήκος της εφαπτόμενης κατεύθυνσης της περιστροφής του τροχού. Για να αποφύγετε τη συνεχή έκθεση στα σωματίδια αποκοπής, να χρησιμοποιείτε τον προφυλακτήρα τροχού αποδοτικά ώστε να μπορεί να εκκενώνει μερική από τη σκόνη και τα σωματίδια κοπής προς εναλλακτική κατεύθυνση.

Μια αντίδραση σε ταχεία εμπλοκή του περιστρεφόμενου τροχού μπορεί να θέσει το εργαλείο εκτός ελέγχου προς την αντίθετη κατεύθυνση της περιστροφής τροχού.

Εμπρόσθια περιστροφή

► **Εικ.5:** 1. Σωματίδια αποκοπής 2. Αντιδράσεις

Αντίστροφη περιστροφή

► **Εικ.6:** 1. Σωματίδια αποκοπής 2. Αντιδράσεις

Προφυλακτήρας τροχού

▲ ΠΡΟΣΟΧΗ: Πριν από τη λειτουργία, βεβαιωθείτε ότι ο προφυλακτήρας τροχού είναι τοποθετημένος σωστά και σταθερά πίσω από τον τροχό κοπής.

Ασφαλίστε το προφυλακτήρα τροχού σε μια άνετη θέση, για μέγιστη ασφάλεια και ελάχιστη έκθεση στους πιθανούς παράγοντες κινδύνου, ανάλογα με τις συνθήκες και προτιμήσεις εργασίας.

Τοποθέτηση εμπρόσθια

► **Εικ.7:** 1. Προφυλακτήρας τροχού 2. Τροχός κοπής

Τοποθέτηση οπίσθια

► **Εικ.8:** 1. Προφυλακτήρας τροχού 2. Τροχός κοπής

Εξάρτημα κλειδώματος άξονα

Πίεστε το εξάρτημα κλειδώματος άξονα για να εμποδίσετε την περιστροφή της ατράκτου όταν τοποθετείτε και αφαιρείτε έναν τροχό κοπής.

► **Εικ.9:** 1. Εξάρτημα κλειδώματος άξονα

ΕΙΔΟΠΟΙΗΣΗ: Μην ενεργοποιείτε ποτέ το εξάρτημα κλειδώματος άξονα όταν κινείται η άτρακτος. Μπορεί να προκληθεί βλάβη στο εργαλείο.

Λάμπα λειτουργίας

▲ ΠΡΟΣΟΧΗ: Μην κοιτάζετε κατευθείαν μέσα στο φως ή στην πηγή φωτός.

Για να ανάψετε τη λάμπα λειτουργίας, πατήστε παρατεταμένα το κουμπί απασφάλισης και τραβήξτε τη σκανδάλη διακόπτη.

Η λάμπα σβήνει περίπου 15 δευτερόλεπτα αφού αφήσετε τη σκανδάλη διακόπτη.

► **Εικ.10:** 1. Λάμπα λειτουργίας

ΕΙΔΟΠΟΙΗΣΗ: Όταν το εργαλείο θεθεί σε λειτουργία με υπερβολικό φόρτο, η λάμπα λειτουργίας αναβοσβήνει. Σε αυτή την κατάσταση, αφήστε τη σκανδάλη διακόπτη και, στη συνέχεια, μειώστε το φόρτο στο εργαλείο πριν το θέσετε ξανά σε λειτουργία.

ΕΙΔΟΠΟΙΗΣΗ: Όταν το εργαλείο έχει υπερθερμανθεί, η λάμπα λειτουργίας αναβοσβήνει. Σε αυτή την περίπτωση, αφήστε τη σκανδάλη διακόπτη και, στη συνέχεια, αφήστε το εργαλείο/μπατάρια να κρυώσει πριν το θέσετε ξανά σε λειτουργία.

ΠΑΡΑΤΗΡΗΣΗ: Χρησιμοποιήστε ένα στεγνό πανί για να σκουπίσετε τη σκόνη από το φακό της λάμπας. Προσέχετε να μη γρατζουνίσετε το φακό της λάμπας, επειδή μπορεί να μειωθεί η ένταση του φωτισμού.

Ρύθμιση του βάθους κοπής

⚠ ΠΡΟΣΟΧΗ: Αφού ρυθμίσετε το βάθος κοπής, να σφίγγετε πάντα τη χειρόβιδα με ασφάλεια.

Με τοποθετημένο το κάλυμμα συλλογής σκόνης, μπορεί να γίνουν λεπτές ρυθμίσεις στο βάθος κοπής μέχρι 13,5 mm.

Χαλαρώστε τη χειρόβιδα στην κλίμακα βάθους. Σηκώστε ή χαμηλώστε τη λαβή εργαλείου στην κατάλληλη θέση για να ευθυγραμμίσετε τους δείκτες βάθους στο κάλυμμα με το επιθυμητό βάθος κοπής στην κλίμακα. Στη συνέχεια, σφίξτε τη χειρόβιδα.

► **Εικ.11:** 1. Χειρόβιδα 2. Κλίμακα βάθους 3. Δείκτης βάθους

⚠ ΠΡΟΣΟΧΗ: Για καθαρή και ασφαλή κοπή, ρυθμίστε τα βάθη κοπής με τρόπο ώστε ο τροχός κοπής να περνάει κάτω από την επιφάνεια του τεμαχίου εργασίας κατά 2,0 mm ή λιγότερο. Η ρύθμιση στα κατάλληλα βάθη κοπής συμβάλλει στη μείωση της πιθανότητας για επικίνδυνα κλοστήματα που μπορεί να προκαλέσουν προσωπικό τραυματισμό.

Σκόπτευση για ευθεία κοπή

Με τοποθετημένο το κάλυμμα συλλογής σκόνης, η εργασία ευθείας κοπής μπορεί να εκτελεστεί με ασφάλεια αν ευθυγραμμίσετε τον τροχό κοπής προς την κατεύθυνση κοπής πριν από την εργασία πραγματικής κοπής.

Ευθυγραμμίστε την εγκοπτή οδήγησης στη βάση του καλύμματος συλλογής σκόνης με την ενδεδειγμένη γραμμή κοπής στο τεμάχιο εργασίας.

► **Εικ.12:** 1. Εγκοπτή οδηγού 2. Βάση 3. Γραμμή κοπής

Σύνδεση με ηλεκτρική σκούπα

Προαιρετικό αξεσουάρ

Όταν θέλετε να εκτελέσετε την εργασία κοπής καθαρά, συνδέστε μια ηλεκτρική σκούπα της Makita στο ακροφύσιο σκόνης στο κάλυμμα συλλογής σκόνης χρησιμοποιώντας μπροστινά στόμια 22 (προαιρετικό εξάρτημα).

► **Εικ.13:** 1. Μπροστινά στόμια 22 2. Ακροφύσιο σκόνης 3. Εύκαμπτος σωλήνας 4. Ηλεκτρική σκούπα

Λειτουργία αποφυγής τυχαίας επανεκκίνησης

Όταν τοποθετείτε την κασέτα μπαταριών ενώ τραβάτε τη σκανδάλη διακόπτη, το εργαλείο δεν θα ξεκινήσει. Για να εκκινήσετε το εργαλείο, αφήστε πρώτα τη σκανδάλη διακόπτη. Πατήστε παρατεταμένα το κουμπί κλειδώματος και, στη συνέχεια, τραβήξτε τη σκανδάλη διακόπτη.

Ηλεκτρονική λειτουργία

Το εργαλείο είναι εξοπλισμένο με ηλεκτρονικές λειτουργίες για εύκολη λειτουργία.

- **Ηλεκτρικό φρένο**
Το εργαλείο αυτό είναι εξοπλισμένο με ηλεκτρικό φρένο. Αν το εργαλείο αποτυγχάνει συνεχώς να διακόπτει γρήγορα τη λειτουργία αφού αφήνετε τη σκανδάλη διακόπτη, ζητήστε την επισκευή του εργαλείου από κέντρο εξυπηρέτησης της Makita.
- **Έλεγχος σταθερής ταχύτητας**
Η λειτουργία ελέγχου ταχύτητας παρέχει σταθερή ταχύτητα περιστροφής, ανεξάρτητα από τις συνθήκες φόρτου.
- **Τεχνολογία αίσθησης ενεργής ανάδρασης**
Το εργαλείο ανιχνεύει ηλεκτρονικά τις καταστάσεις όπου ο τροχός ή το εξάρτημα μπορεί να βρίσκονται σε κίνδυνο για εμπλοκή. Σε αυτή την κατάσταση, το εργαλείο σβήνει αυτόματα για να αποφευχθεί η περαιτέρω περιστροφή της ατράκτου (δεν εμποδίζει το κλόστημα).
Για να ξεκινήσετε ξανά το εργαλείο, πρώτα σβήστε το εργαλείο, διορθώστε την αιτία της ξαφνικής πτώσης των στροφών περιστροφής και μετά ενεργοποιήστε ξανά το εργαλείο.

ΣΥΝΑΡΜΟΛΟΓΗΣΗ

⚠ ΠΡΟΣΟΧΗ: Να βεβαιώνετε πάντα ότι το εργαλείο είναι σβηστό και η κασέτα μπαταρίας έχει αφαιρεθεί πριν εκτελέσετε κάποια εργασία στο εργαλείο.

Φύλαξη εξαγωνικού κλειδιού

Όταν δεν χρησιμοποιείτε το εξαγωνικό κλειδί, αποθηκεύστε το όπως απεικονίζεται, για να μην το χάσετε.
► **Εικ.14:** 1. Εξαγωνικό κλειδί

Αφαίρεση και τοποθέτηση του τροχού κοπής

⚠ ΠΡΟΣΟΧΗ: Να χρησιμοποιείτε μόνο το εξαγωνικό κλειδί της Makita που παρέχεται για να αφαιρείτε και να τοποθετείτε έναν τροχό κοπής.

⚠ ΠΡΟΣΟΧΗ: Όταν τοποθετείτε έναν τροχό κοπής, βεβαιωθείτε να σφίγγετε καλά το μπουλόνι.

ΕΙΔΟΠΟΙΗΣΗ: Όταν τοποθετείτε διαμαντοτροχό, για την καλύτερή του απόδοση, να βεβαιώνετε πάντα ότι τα βέλη στον διαμαντοτροχό είναι στραμμένα προς την ίδια κατεύθυνση με την επιθυμητή περιστροφή τροχού.

Για να αφαιρέσετε έναν τροχό κοπής, πατήστε πλήρως το εξάρτημα κλειδώματος άξονα έτσι ώστε ο τροχός κοπής να μην μπορεί να περιστραφεί και χρησιμοποιήστε το εξαγωνικό κλειδί για να χαλαρώσετε το εξαγωνικό μπουλόνι αριστερόστροφα. Στη συνέχεια, αφαιρέστε το εξαγωνικό μπουλόνι, την εξωτερική φλάντζα και τον τροχό κοπής.

► **Εικ.15:** 1. Κλειδίωμα άξονα 2. Εξαγωνικό κλειδί 3. Εξαγωνικό μπουλόνι 4. Ξεσφίξτε 5. Σφίξτε

ΕΙΔΟΠΟΙΗΣΗ: Αν η εσωτερική φλάντζα αφαιρεθεί, τοποθετήστε την ξανά στον αξονίσκο με το εξάρτημα στερέωσης τροχού στραμμένο προς τα πάνω.

Για να τοποθετήσετε έναν τροχό κοπής, ακολουθήστε τη διαδικασία αφαιρέσεως με αντίστροφη σειρά.

- **Εικ.16:** 1. Εξαγωνικό μπουλόνι 2. Εξωτερική φλάντζα 3. Τροχός κοπής 4. Εσωτερική φλάντζα 5. Αξονίσκος

Τοποθέτηση και αφαίρεση του καλύμματος συλλογής σκόνης

▲ ΠΡΟΣΟΧΗ: Βεβαιωθείτε ότι ο προφυλακτήρας τροχού είναι ασφαλισμένος καλά με τον αναστολέα στο εσωτερικό του καλύμματος συλλογής σκόνης πριν την εργασία.

▲ ΠΡΟΣΟΧΗ: Αποφεύγετε τη χρήση του καλύμματος συλλογής σκόνης για εργασίες μετάλλων κατά τις οποίες παράγεται θερμότητα και εκτοξεύονται σπινθήρες επειδή μπορεί να λιώσουν τα πλαστικά εξαρτήματα του καλύμματος συλλογής σκόνης.

Το κάλυμμα συλλογής σκόνης ενισχύει την ασφαλή και αποδοτική κοπή, παρέχοντας προστασία από τον περιστρεφόμενο τροχό, σταθερότητα κοπής, ακριβή έλεγχο του βάθους κοπής και λύσεις εξαγωγής σκόνης, ειδικά για κοπές πλακακιών, γύψου και πέτρας.

Τοποθέτηση του καλύμματος συλλογής σκόνης

1. Χαλαρώστε τη χειρόβιδα στην κλίμακα βάθους του καλύμματος συλλογής σκόνης. Σηκώστε το κάλυμμα τέρμα πάνω και, στη συνέχεια, σφίξτε τη χειρόβιδα για να ασφαλίσετε το κάλυμμα συλλογής σκόνης στην ανυψωμένη θέση.

► **Εικ.17:** 1. Χειρόβιδα 2. Κλίμακα βάθους 3. Κάλυμμα συλλογής σκόνης

2. Θέστε τον προφυλακτήρα τροχού στο εργαλείο σε μια εμπρόσθια θέση.

► **Εικ.18:** 1. Προφυλακτήρας τροχού

3. Σηκώστε λίγο τη λαβή εργαλείου και τοποθετήστε το μπροστινό μισό του προφυλακτήρα τροχού υπό γωνία μέσα στο κάλυμμα συλλογής σκόνης, περνώντας το κάτω μέρος του τροχού κοπής μέσα από τη σχισμή τροχού στη βάση.

► **Εικ.19:** 1. Προφυλακτήρας τροχού 2. Κάλυμμα συλλογής σκόνης 3. Τροχός κοπής 4. Σχισμή τροχού

4. Τοποθετήστε το πίσω μισό του προφυλακτήρα τροχού στο κάλυμμα συλλογής σκόνης, ενώ χαμηλώνετε τη λαβή εργαλείου από μια ανυψωμένη θέση σε μια χαμηλωμένη θέση.

► **Εικ.20:** 1. Προφυλακτήρας τροχού 2. Κάλυμμα συλλογής σκόνης

5. Σηκώστε ξανά τη λαβή εργαλείου για να αγκιστρώσετε το πίσω άκρο του προφυλακτήρα τροχού πάνω από τον αναστολέα στο εσωτερικό του καλύμματος συλλογής σκόνης.

► **Εικ.21:** 1. Προφυλακτήρας τροχού 2. Αναστολέας

6. Χαλαρώστε τη χειρόβιδα. Αιωρήστε το εργαλείο πάνω και κάτω στο επιθυμητό βάθος κοπής. Στη συνέχεια, σφίξτε τη χειρόβιδα για να ασφαλίσετε το εργαλείο στη θέση του.

Αφαίρεση του καλύμματος συλλογής σκόνης

1. Χαλαρώστε τη χειρόβιδα στην κλίμακα βάθους του καλύμματος συλλογής σκόνης. Σηκώστε τη λαβή εργαλείου τέρμα πάνω και, στη συνέχεια, σφίξτε τη χειρόβιδα για να ασφαλίσετε το κάλυμμα συλλογής σκόνης στην ανυψωμένη θέση.

► **Εικ.22:** 1. Χειρόβιδα 2. Κλίμακα βάθους 3. Κάλυμμα συλλογής σκόνης

2. Σύρετε το μοχλό ελευθέρωσης προς τη χειρόβιδα για να απασφαλίσετε τον προφυλακτήρα τροχού από τον αναστολέα στο εσωτερικό του καλύμματος συλλογής σκόνης.

► **Εικ.23:** 1. Μοχλός ελευθέρωσης 2. Χειρόβιδα 3. Προφυλακτήρας τροχού 4. Κάλυμμα συλλογής σκόνης 5. Αναστολέας

3. Αφαιρέστε το πίσω μισό του προφυλακτήρα τροχού από το κάλυμμα συλλογής σκόνης, ενώ χαμηλώνετε τη λαβή εργαλείου από μια ανυψωμένη θέση σε μια χαμηλωμένη θέση.

► **Εικ.24:** 1. Προφυλακτήρας τροχού 2. Κάλυμμα συλλογής σκόνης

4. Τραβήξτε το μπροστινό μισό του προφυλακτήρα τροχού, υπό μια μικρή γωνία ανοδικά και προς τα έξω, ώστε να αποσπαστεί από το κάλυμμα συλλογής σκόνης.

► **Εικ.25:** 1. Προφυλακτήρας τροχού 2. Κάλυμμα συλλογής σκόνης

ΛΕΙΤΟΥΡΓΙΑ

▲ ΠΡΟΣΟΧΗ: Να διατηρείτε πάντα καλό κράτημα του εργαλείου κατά τη διάρκεια της λειτουργίας.

▲ ΠΡΟΣΟΧΗ: Μην ασκείτε δύναμη στο εργαλείο. Εάν ασκήσετε δύναμη ή υπερβολική πίεση ή επιτρέψετε στον τροχό να υποστεί κάμψη, σύσφιξη ή συστροφή εντός της τομής, μπορεί να προκαλέσετε υπερθέρμανση του μοτέρ και επικίνδυνο κλότσημα του εργαλείου.

▲ ΠΡΟΣΟΧΗ: Όταν κόβετε πλαστικά, βεβαιωθείτε να μην υπερθερμαίνετε τον τροχό κοπής. Μπορεί να έχει ως αποτέλεσμα το λιώσιμο του τεμαχίου εργασίας.

▲ ΠΡΟΣΟΧΗ: Μην κτυπάτε ή τινάζετε έναν τροχό κοπής κατά την εκκίνηση ή τη λειτουργία.

▲ ΠΡΟΣΟΧΗ: Κατά τη διάρκεια της λειτουργίας, να φοράτε πάντα προστατευτικά γυαλιά ή προσωπίδα.

▲ ΠΡΟΣΟΧΗ: Μετά τη λειτουργία, να σβήνετε πάντα το εργαλείο και να περιμένετε μέχρι ο τροχός να σταματήσει τελείως πριν αφήσετε κάτω το εργαλείο.

Καθοδική κοπή

ΕΙΔΟΠΟΙΗΣΗ: Προσέχετε ιδιαίτερα ώστε να χρησιμοποιείτε μια αποδοτική επιφάνεια κοπής του τροχού για να αποφεύγετε την έκθεση με τα σωματίδια αποκοπής.

ΕΙΔΟΠΟΙΗΣΗ: Κρατήστε τον τροχό κοπής ευθεία στο τεμάχιο εργασίας και αποφεύγετε την κλίση ή αιώρηση του εργαλείου κατά τη διάρκεια της λειτουργίας.

Τοποθετήστε τον προφυλακτήρα τροχού σωστά για να παρέχεται η μέγιστη προστασία από σπινθήρες και ελεύθερα σωματίδια που πετάνονται από τον τροχό κοπής. Τοποθετήστε το εργαλείο πάνω από το τεμάχιο εργασίας χωρίς ο τροχός κοπής να έρχεται σε καμία επαφή. Ενεργοποιήστε το εργαλείο και περιμένετε μέχρι ο τροχός κοπής να αποκτήσει πλήρη ταχύτητα. Στη συνέχεια, χαμηλώστε αργά το εργαλείο πάνω από την επιφάνεια του τεμαχίου εργασίας, χρησιμοποιώντας μέτρια τροφοδοσία που είναι κατάλληλη για τις εφαρμογές σας.

Εμπρόσθια περιστροφή

► **Εικ.26**

Αντίστροφη περιστροφή

► **Εικ.27**

Ίσια κοπή

▲ ΠΡΟΣΟΧΗ: Βεβαιωθείτε ότι ο τροχός κοπής πάντοτε λειτουργεί με ανοδική λειαντική κίνηση. Διαφορετικά, μπορεί να προκαλέσει την ανεξέλεγκτη ώθηση του εργαλείου εκτός της κοπής.

ΕΙΔΟΠΟΙΗΣΗ: Κρατήστε τη γραμμή κοπής ευθείας και εφαρμόστε σταθερή πίεση για να λάβετε μια ομοιόμορφη κοπή μέσα από το τεμάχιο εργασίας.

Θέστε την πλάκα βάσης του καλύμματος συλλογής σκόνης στο τεμάχιο εργασίας προς κοπή χωρίς ο τροχός κοπής να έρχεται καθόλου σε επαφή. Ενεργοποιήστε το εργαλείο και περιμένετε μέχρι ο τροχός κοπής να αποκτήσει πλήρη ταχύτητα. Στη συνέχεια, μετακινήστε το εργαλείο αργά πάνω στην επιφάνεια του τεμαχίου εργασίας, κρατώντας το επίπεδο και προωθώντας ομαλά έως ότου ολοκληρωθεί η τομή. Επιλέξτε την αντίστροφη περιστροφή για κοπή ώθησης και την εμπρόσθια περιστροφή για κοπή έλξης.

Κοπή ώθησης στην αντίστροφη περιστροφή

► **Εικ.28**

Κοπή έλξης στην εμπρόσθια περιστροφή

► **Εικ.29**

ΠΑΡΑΤΗΡΗΣΗ: Να γνωρίζετε ότι το κάλυμμα συλλογής σκόνης τείνει να λειτουργεί λιγότερο αποδοτικά στην κοπή έλξης επειδή μερικά σωματίδια κοπής διασκορπίζονται στο εσωτερικό του καλύμματος, αντίθετα της ροής εξαγωγής σκόνης.

ΣΥΝΤΗΡΗΣΗ

▲ ΠΡΟΣΟΧΗ: Πριν την εκτέλεση εργασιών επιθεώρησης ή συντήρησης, πάντοτε να βεβαιώνετε ότι η συσκευή απενεργοποιήθηκε και η κασέτα μπαταριών έχει αφαιρεθεί.

ΕΙΔΟΠΟΙΗΣΗ: Μην χρησιμοποιείτε ποτέ βενζίνη, πετρελαϊκό αιθέρα, διαλυτικό, αλκοόλη ή παρόμοιες ουσίες. Μπορεί να προκαλέσει αποχρωματισμό, παραμόρφωση ή ρωγμές.

Για τη διατήρηση της ΑΣΦΑΛΕΙΑΣ και ΑΞΙΟΠΙΣΤΙΑΣ του προϊόντος, οι επισκευές και οποιαδήποτε άλλη εργασία συντήρησης ή ρύθμισης πρέπει να εκτελούνται από εξουσιοδοτημένα ή εργοστασιακά κέντρα εξυπηρέτησης της Makita, χρησιμοποιώντας πάντοτε ανταλλακτικά της Makita.

Τρόχισμα διαμαντοτροχού

Αν η αποτελεσματικότητα κοπής του διαμαντοτροχού αρχίσει να μειώνεται, χρησιμοποιήστε έναν παλιό άχρηστο τροχό εργαλείου λείανσης πάγκου με μεγάλους κοφτερούς κόκκους ή ένα μπλοκ σκυροδέματος, για να τροχίσετε το διαμαντοτροχό. Για να το επιτύχετε, ασφαλίστε σταθερά τον τροχό εργαλείου λείανσης πάγκου ή ένα μπλοκ σκυροδέματος και κόψτε το.

Μετά από τη χρήση

Καθαρίστε τη σκόνη από το εσωτερικό του εργαλείου αφήνοντας το εργαλείο σε άεργη λειτουργία για κάποιο χρονικό διάστημα. Η συσσωρευμένη σκόνη στο εσωτερικό του μωτέρ μπορεί να προκαλέσει δυσλειτουργία του εργαλείου.

Καθαρισμός του προφυλακτήρα τροχού και του καλύμματος συλλογής σκόνης

Να καθαρίζετε το εσωτερικό του προφυλακτήρα τροχού και του καλύμματος συλλογής σκόνης σε τακτά χρονικά διαστήματα. Φυσιίστε ή σκουπίστε τυχόν βρομιά ή σκόνη που έχει συσσωρευτεί σε αυτά.

► **Εικ.30:** 1. Προφυλακτήρας τροχού 2. Κάλυμμα συλλογής σκόνης

Καθαρισμός ανοιγμάτων εξαιρισμού

Να καθαρίζετε τα ανοίγματα εξαιρισμού του εργαλείου σε τακτά χρονικά διαστήματα για μια ομαλή κυκλοφορία του αέρα. Αφαιρέστε το κάλυμμα σκόνης από το άνοιγμα εισόδου αέρα και καθαρίστε το κάθε φορά που βρομίζει ή φράσσεται.

► **Εικ.31:** 1. Κάλυμμα σκόνης 2. Άνοιγμα εισόδου αέρα

ΠΡΟΑΙΡΕΤΙΚΑ ΕΞΑΡΤΗΜΑΤΑ

⚠ ΠΡΟΣΟΧΗ: Αυτά τα εξαρτήματα ή προσαρτήματα συνιστώνται για χρήση με το εργαλείο Makita που περιγράφηκε στις οδηγίες αυτές. Η χρήση οποιωνδήποτε άλλων εξαρτημάτων ή προσαρτημάτων μπορεί να προκαλέσει κίνδυνο τραυματισμού σε άτομα. Να χρησιμοποιείτε τα εξαρτήματα ή προσαρτήματα μόνο για την χρήση που προορίζονται.

Εάν χρειάζεστε οποιαδήποτε βοήθεια για περισσότερες πληροφορίες σε σχέση με αυτά τα εξαρτήματα, αποστανθείτε στο τοπικό σας κέντρο εξυπηρέτησης Makita.

- Τροχός αποκοπής
- Διαμαντοτροχός
- Λειαντικός τροχός καρβιδίου βολφραμίου
- Εξαγωνικό κλειδί
- Γνήσια μπαταρία και φορτιστής της Makita

ΠΑΡΑΤΗΡΗΣΗ: Μερικά στοιχεία στη λίστα μπορεί να συμπεριλαμβάνονται στη συσκευασία εργαλείου ως στάνταρ εξαρτήματα. Μπορεί να διαφέρουν ανάλογα με τη χώρα.

TEKNİK ÖZELLİKLER

Model:	DMC300	
Disk dış çapı	76 mm	
Disk iç (mil) çapı	10,0 mm / 9,5 mm (3/8") (ülkeye özgü)	
Maks. disk kalınlığı	1,0 mm	
Maks. kesme kapasiteleri	Toz toplama kapağı ile	13,5 mm
	Toz toplama kapağı olmadan	16,0 mm
Nominal hız (n) / Yüksüz hız (n ₀)	20.000 min ⁻¹	
Tam uzunluk	271 mm *1	
Anma gerilimi	D.C. 18 V	
Net ağırlık	1,2 - 1,7 kg	

*1. Batarya kartuşu (BL1860B) ile / Toz toplama kapağı olmadan

- Sürekli yapılan araştırma ve geliştirmelerden dolayı, burada belirtilen özellikler önceden bildirilmeksizin değiştirilebilir.
- Özellikler ve batarya kartuşu ülkeden ülkeye değişebilir.
- Ağırlık, ekli aksesuar/aksesuarlara ve batarya kartuşuna bağlı olarak farklılık gösterebilir. EPTA-Prosedürü 01/2014'e göre en hafif ve en ağır kombinasyonlar tabloda verilmiştir.

Geçerli batarya kartuşu ve şarj aleti

Batarya kartuşu	BL1815N / BL1820B / BL1830B / BL1840B / BL1850B / BL1860B
Şarj aleti	DC18RC / DC18RD / DC18RE / DC18SD / DC18SE / DC18SF / DC18SH / DC18WC

- Yukarıda listelenen batarya kartuşlarının ve şarj aletlerinin bazıları yaşadığınız bölgeye bağlı olarak mevcut olmayabilir.

UYARI: Sadece yukarıda listelenen batarya kartuşlarını ve şarj aletlerini kullanın. Başka batarya kartuşlarının ve şarj aletlerinin kullanılması yaralanma ve/veya neden olabilir.

Kullanım amacı

Alet metal, plastik, seramik, sıva ve benzeri kompozit malzemeden yapılmış duvar, sac, bağlantı parçası, boru veya karoyu su kullanmadan kesmek için tasarlanmıştır.

Gürültü

Tipik A-ağırlıklı gürültü düzeyi (EN60745-2-22 standardına göre belirlenen):

Ses basınç seviyesi (L_{PA}): 88 dB (A)

Ses gücü düzeyi (L_{WA}): 99 dB (A)

Belirsizlik (K): 3 dB (A)

NOT: Beyan edilen gürültü emisyonu değer(ler)i bir standart test yöntemine uygun şekilde ölçülmüştür ve bir aleti bir başkasıyla karşılaştırmak için kullanılabilir.

NOT: Beyan edilen gürültü emisyonu değer(ler)i bir ön maruz kalma değerlendirmesi olarak da kullanılabilir.

UYARI: Kulak koruyucuları takın.

UYARI: Elektrikli aletin gerçek kullanımı sırasındaki gürültü emisyonu, aletin kullanım biçimlerine, özellikle işlenen iş parçasının türüne bağlı olarak beyan edilen değer(ler)den farklı olabilir.

UYARI: Gerçek kullanım koşullarındaki tahmini maruziyeti baz alan, operatörü koruyacak güvenli önlemlerini mutlaka belirleyin (çalışma döngüsü içerisinde aletin kapalı olduğu ve aktif durumda olmasının yanı sıra boşta çalıştığı zamanlar gibi, bütün zaman dilimleri göz önünde bulundurarak).

Titreşim

Titreşim toplam değeri (üç eksenli vektör toplamı) (EN60745-2-22 standardına göre hesaplanan):
Çalışma modu: beton kesme (kalınlık 5 mm)
Titreşim emisyonu (a_h): 3,0 m/s²
Belirsizlik (K) : 1,5 m/s²

NOT: Beyan edilen titreşim toplam değer(ler)i bir standart test yöntemine uygun şekilde ölçülmüştür ve bir aleti bir başkasıyla karşılaştırmak için kullanılabilir.

NOT: Beyan edilen titreşim toplam değer(ler)i bir ön maruz kalma değerlendirmesi olarak da kullanılabilir.

⚠UYARI: Elektrikli aletin gerçek kullanımı sırasındaki titreşim emisyonu, aletin kullanım biçimlerine, özellikle işlenen iş parçasının türüne bağlı olarak beyan edilen değer(ler)den farklı olabilir.

⚠UYARI: Gerçek kullanım koşullarındaki tahmini maruziyeti baz alan, operatörü koruyacak güvenlik önlemlerini mutlaka belirleyin (çalışma döngüsü içerisinde aletin kapalı olduğu ve aktif durumda olmasının yanı sıra boşta çalıştığı zamanlar gibi, bütün zaman dilimleri göz önünde bulundurarak).

Uygunluk Beyanları

Sadece Avrupa ülkeleri için

Uygunluk beyanları bu kullanma kılavuzuna Ek A olarak eklenmiştir.

GÜVENLİK UYARILARI

Genel elektrikli alet güvenliği uyarıları

⚠UYARI Bu elektrikli aletle birlikte verilen tüm güvenlik uyarılarını, talimatları, resimli açıklamaları ve teknik özellikleri okuyun. Aşağıda listelenen talimatların herhangi birine uyulmaması elektrik çarpması, yangın ve/veya ciddi yaralanma ile sonuçlanabilir.

Tüm uyarıları ve talimatları iletide başvurmak için saklayın.

Uyarılardaki "elektrikli alet" terimi ile ya prizden çalışan (kordonlu) elektrikli aletiniz ya da kendi aküsü ile çalışan (kordsuz) elektrikli aletiniz kastedilmektedir.

Kompakt kesici güvenlik uyarıları

1. Aletle birlikte sağlanan siper, elektrikli alete sıkıca sabitlenmeli ve operatörü diskten olabildiğince korumak için en yüksek güvenliği sağlayacak şekilde konumlandırılmalıdır. Kendinizi ve etrafınızdaki diğer kişileri dönen diskin düzleminden uzak tutun. Siper, operatörü kırık disk parçalarından ve diske kazayla temas etmektan korur.
2. Elektrikli aletiniz için sadece bağlı takviyeli veya elmas kesme diskleri kullanın. Bir aksesuarın elektrikli aletinize takılabilir olması, tek başına onun güvenli çalışacağını garanti etmez.
3. Aksesuarın nominal hızı en azından elektrikli aletin üstünde belirtilen maksimum hızla eşit olmalıdır. Nominal hızlarından daha hızlı çalışan aksesuarlar kırılabilir ve fırlayabilir.
4. Diskler sadece tavsiye edilen uygulamalar için kullanılmalıdır. Örneğin: kesme diskinin yan tarafıyla taşlama yapmayın. Aşındırıcı kesme diskleri periferik taşlama için tasarlanmıştır, bu disklere yandan baskı uygulanması çatlamlarına neden olabilir.
5. Daima seçtiğiniz diskiniz için doğru çapta, hasarsız flanşlar kullanın. Doğru disk flanşları diski destekleyerek, disk kırılması olasılığını azaltır.

6. Daha büyük elektrikli aletlerin aşınarak küçülmüş takviyeli disklerini kullanmayın. Daha büyük elektrikli aletler için tasarlanmış diskler küçük aletlerin daha yüksek hızlarına uygun olmayabilir ve parçalanabilir.
7. Aksesuarınızın dış çapı ve kalınlığı elektrikli aletinizin kapasite derecelendirmesi dahilinde olmalıdır. Doğru boyutta olmayan aksesuarlar yeterince korunamayabilir veya kontrol edilemeyebilir.
8. Disklerin ve flanşların malafa deliği boyutları elektrikli aletin miline tam olarak uymalıdır. Malafa delikleri elektrikli alette monte edildiği donanıma uymayan diskler ve flanşlar dengesi döner, aşırı titreşim yapar ve kontrolden çıkabilir.
9. Hasarlı diskleri kullanmayın. Her kullanımdan önce, disklerde çentik ve çatlak kontrolü yapın. Eğer elektrikli alet veya disk düşürülürse, hasar muayenesi yapın veya hasarsız diski takın. Bir diski muayene ettikten ve taktıktan sonra, kendinizi ve etrafınızdaki kişileri döner diskin düzleminden uzak tutun ve elektrikli aleti bir dakika kadar maksimum yüksüz hızda çalıştırın. Bu test çalıştırması sırasında hasarlı diskler normal olarak parçalanır.
10. Kişisel koruyucu ekipman kullanın. Daima kulak koruyucu takın. Uygulamaya göre, yüz siperi veya koruyucu gözlük takın. Uygun görüldüğü şekilde toz maskesi, eldiven ve aşındırıcı diskten veya iş parçasından kopan küçük parçaları durdurabilecek iş önlüğü takın. Koruyucu gözlük çeşitli işlemlerin üreteceği uçan kırıntılar durdurabilecek nitelikte olmalıdır. Toz maskesi veya respiratör, işlem sırasında oluşan parçacıkları filtre edebilecek nitelikte olmalıdır. Uzun süre yüksek şiddetli gürültüye maruz kalmak işitme kaybına neden olabilir.
11. Etrafınızdaki kişileri çalışma alanından güvenli bir uzaklıkta tutun. Çalışma alanına giren herkes kişisel koruyucu donanım kullanmalıdır. Kırılan bir diskin veya iş parçasının kırıkları uzağa fırlayıp, çalışma yerinin ötesinde yaralanmalara neden olabilir.
12. Kesici aksesuarın görünmeyen kablolarla temas etme olasılığı bulunan yerlerde çalışırken elektrikli aleti yalıtımlı kavrama yüzeylerinden tutun. Kesici aksesuarın "akımlı" bir telle temas etmesi elektrikli aletin yalıtımsız metal kısımlarını "akımlı" hale getirebilir ve kullanıcıyı elektrik şokuna maruz bırakabilir.
13. Aksesuar tamamen durmadan önce elektrikli aleti kesinlikle yere koymayın. Döner disk yere sürünüp, elektrikli aletin kontrolünüz dışında fırlamasına neden olabilir.
14. Elektrikli aleti yalnızca taşırken çalıştırmayın. Giysilerinizin kazayla döner aksesuara temas etmesi sonucu giysiniz takılarak aksesuarı vücudunuza doğru çekebilir.
15. Elektrikli aletin havalandırma deliklerini düzenli olarak temizleyin. Motorun fanı tozu gövdenin içine çeker ve aşırı toz metal birikimi elektrik tehlikelerine neden olabilir.
16. Elektrikli aleti tutuşabilen malzemelerin yakınında kullanmayın. Kıvılcımlar bu malzemeleri tutuşturabilir.

17. **Sıvı soğutucu gerektiren aksesuarlar kullanmayın.** Su veya diğer sıvı soğutucuların kullanılması elektrik çarpmasına veya şokuna neden olabilir.

Geri tepme ve ilgili uyarılar

Geri tepme döner diskin sıkışmasına veya takılmasına ani bir tepkidir. Sıkışma veya takılma döner diskin aniden durmasına ve bu da elektrikli aletin tutukluk noktasında diskin dönme yönünün tersi doğrultuda kontrolsüz şekilde itilmesine neden olur.

Örneğin, eğer bir aşındırıcı disk iş parçasına takılır veya sıkışırsa, sıkışma noktasına giren diskin kenarı malzeme yüzeyine batarak, diskin dışarı tırmanmasına veya geri tepmesine neden olabilir. Disk, sıkışma noktasında diskin hareket yönüne bağlı olarak operatöre veya ondan uzağa doğru sıçrayabilir. Bu koşullarda aşındırıcı diskler kırılabilir de.

Geri tepme elektrikli aletin başka amaçla kullanılmasının ve/veya yanlış kullanım usulleri veya koşullarının bir sonucudur ve aşağıda belirtildiği gibi doğru önlemlerle önlenebilir.

1. **Elektrikli aleti daima sıkıca kavrayın ve vücudunuzun ve kolunuzun duruşunu geri tepme kuvvetlerine direnç gösterecek şekilde ayarlayın.** İlk çalıştırma sırasında geri tepme veya tork etkisi üzerinde maksimum kontrol sağlamak için, eğer varsa, daima yardımcı kolu kullanın. Eğer doğru önlemler alınır, operatör tork etkilerini veya geri tepme kuvvetlerini kontrol edebilir.
2. **Elinizi asla döner aksesuarın yakınına koymayın.** Aksesuar elinizin üstüne doğru geri tepebilir.
3. **Vücudunuzu dönen diskle aynı hizada tutmayın.** Geri tepme, takılma noktasında aleti diskin hareketinin tersi yönde iter.
4. **Köşeler, keskin kenarlar vb. üzerinde çalışırken çok dikkatli olun.** Aksesuarın sallanmasını veya takılmasını önleyin. Köşelerde, keskin kenarlarda veya ziplama halinde döner aksesuarın takılma eğilimi vardır ve kontrol kaybına veya geri tepmeye neden olur.
5. **Zincir testere, oyma bıçağı, 10 mm'den fazla periferik boşluklu segmentli elmas disk ya da dişli testere bıçağı takmayın.** Bu bıçaklar sıkça geri tepme ve kontrol kaybı yaratır.
6. **Diski "sıkıştırmayın" ya da aşırı basınç uygulamayın.** Aşırı derinlikte bir kesme yapmaya çalışmayın. Diskin aşırı zorlanması yükü ve diskin kesik içinde bükülme veya takılma olasılığını arttırarak, geri tepmeye veya diskin kırılmasına neden olabilir.
7. **Disk takıldığı veya herhangi bir nedenle kesmeyi durdurduğu zaman, elektrikli aleti kapatın ve disk tamamen duruncaya kadar elektrikli aleti hareketiz şekilde tutun.** Disk hareket halindeyken onu kesinlikle kesikten çıkarmaya çalışmayın aksi taktirde geri tepme oluşabilir. Diskin takılma nedenini araştırıp, ortadan kaldırmak için düzeltici işlemleri yapın.
8. **İş parçasında kesme işlemine yeniden başlamayın.** Diskin tam hıza ulaşmasını bekleyin ve dikkatli şekilde tekrar keşiğe geçirin. Elektrikli alet iş parçası içinde tekrar çalıştırılırsa, disk takılabilir, yukarı tırmanabilir veya geri tepebilir.

9. **Disk in takılması ve geri tepme riskini en az indirmek için panelleri ve çok büyük iş parçalarını destekleyin.** Büyük iş parçaları kendi ağırlıkları altında bel vermeye meyillidir. Destekler diskin her iki yanında kesme hattına ve iş parçasının kenarına yakın olarak, iş parçasının altına yerleştirilmelidir.
10. **Mevcut duvarların veya diğer kör alanların içine "çep kesme" yaparken daha fazla dikkat gösterin.** Fazla ileri giden disk; gaz veya su borularını, elektrik kablolarını veya geri tepmeye neden olabilecek nesnelere kesebilir.
11. **Segmentli bir elmas disk kullanmadan önce, elmas diskin segmentleri arasında sadece negatif bir talaş açısı ile 10 mm veya daha az periferik boşluk olduğundan emin olun.**

Ek Güvenlik Uyarıları:

1. **Alet mengine ters olarak tutulmuş şekilde kesim yapmaya çalışmayın.** Bu çok tehlikeli bir davranış olur ve ciddi kazalara yol açabilir.
2. **İş parçasının düzgün desteklenip desteklenmediğini kontrol edin.**
3. **Bazı malzemeler zehirli olabilen kimyasallar içerir.** Toz yutmayı ve cilt temasını önlemek için tedbir alın. Malzeme sağlayıcısının güvenlik bilgilerine uyun.
4. **Diskleri üretici tavsiyelerine uygun olarak muhafaza edin.** Uygun olmayan muhafaza disklere zarar verebilir.

BU TALİMATLARI MUHAFAZA EDİNİZ.

⚠UYARI: Ürünü kullanırken (defalarca kullanınca kazanılan) rahatlık ve tanıdıklık duygusunun ilgili ürünün güvenlik kurallarına sıkı sıkıya bağlı kalmanızı yerine geçmesine İZİN VERMEYİN. **YANLIŞ KULLANIM** veya bu kullanma kılavuzunda belirtilen emniyet kurallarına uymama ciddi yaralanmaya neden olabilir.

Batarya kartuşu hakkında önemli güvenlik talimatları

1. **Batarya kartuşunu kullanmadan önce, tüm talimatları ve (1) batarya kartuşu, (2) batarya ve (3) ürün üzerindeki tüm uyarı işaretlerini okuyun.**
2. **Batarya kartuşunu parçalarına ayırmayın veya kurcalamayın.** Yangın, aşırı ısı veya patlamaya neden olabilir.
3. **Çalışma süresi aşırı derecede kısalmışsa kullanmayı derhal bırakın.** Aşırı ısınma, yanma riski hatta patlamaya neden olabilir.
4. **Gözünüze elektrolit kaçarsa, gözlerinizi temiz suyla durulayın ve hemen tıbbi yardım alın.** Görme kaybına yol açabilir.
5. **Batarya kartuşuna kısa devre yaptırmayın:**
 - (1) **Terminallere herhangi bir iletken madde değdirmeyin.**
 - (2) **Batarya kartuşunu çiviler, madeni paralar, vb. gibi başka metal nesnelere aynı kaba koymaktan kaçının.**
 - (3) **Batarya kartuşunu yağmura ya da suya maruz bırakmayın.**

Kısa devre, büyük bir akım akışına, aşırı ısınmaya, olası yanıklara hatta bataryanın bozulmasına yol açabilir.

6. Aleti ve batarya kartuşunu sıcaklığın 50°C ya da daha yükseğe ulaştığı yerlerde saklamayın ve kullanmayın.
7. Aşırı derecede hasar görmüş ya da tamamen kullanılamaz durumda olsa bile batarya kartuşunu yakmayın. Batarya kartuşu ateşe atılırsa patlayabilir.
8. Batarya kartuşunu çivilemeyin, kesmeyin, ezmeyin, fırlatmayın, düşürmeyin ya da batarya kartuşuna sert bir nesne ile vurmeyin. Bu eylemler yangın, aşırı ısı veya patlamaya neden olabilir.
9. Hasarlı bataryayı kullanmayın.
10. Aletin içerdiği lityum-iyon bataryalar Tehlikeli Eşyalar Yönetmeliğinin gereksinimlerine tabidir.
Ticari nakliye işlemleri için, örneğin üçüncü taraflar, nakliye acenteleri tarafından yapılan nakliyelerde, paketlenme ve etiketleme gereksinimlerine uyulmalıdır.
Nakliyesi yapılacak ürünün hazırlanması için, tehlikeli maddeler konusunda uzman bir kişiye danışın. Lütfen muhtemelen daha ayrıntılı olan ulusal yönetmeliklere de uyun.
Açık kontakları bantlayın ya da maskeleyin ve bataryayı paketin içinde hareket ettirmeyecek şekilde paketlenin.
11. Batarya kartuşunu bertaraf ederken aletten çıkarın ve güvenli bir yerde bertaraf edin. Bataryanın bertaraf edilmesi ile ilgili yerel düzenlemelere uyunuz.
12. Bataryaları sadece Makita tarafından belirtilen ürünlerle kullanın. Bataryaların uyumsuz ürünlere takılması; yangın, aşırı ısınma, patlama ya da elektrolit sızıntısına neden olabilir.
13. Alet uzun süre kullanılmayacaksa batarya aletten çıkarılmalıdır.
14. Kullanma sırasında ve sonrasında batarya kartuşu ısınarak yanıklara veya düşük sıcaklık yanıklarına yol açabilir. Sıcak batarya kartuşları ile işlem yaparken dikkat edin.
15. Yanıklara neden olabilecek kadar sıcak olabileceğinden kullandıktan hemen sonra aletin terminaline dokunmayın.
16. Batarya kartuşunun terminallerine, deliklerine ve kanallarına micir, toz veya toprak girmesine izin vermeyin. Aletin veya batarya kartuşunun ısınmasına, alev almasına, patlamasına ve arızalanmasına neden olarak yanıklara veya yaralanmaya yol açabilir.
17. Alet yüksek gerilim elektrik güç hatlarında kullanımı desteklemediği sürece batarya kartuşunu yüksek gerilim elektrik güç hatlarının yakınında kullanmayın. Aletin veya batarya kartuşunun arızalanmasına veya bozulmasına neden olabilir.
18. Bataryayı çocuklardan uzak tutun.

BU TALİMATLARI MUHAFAZA EDİNİZ.

⚠DİKKAT: Sadece orijinal Makita bataryalarını kullanın. Orijinal olmayan Makita bataryaları ya da üzerine değişiklik yapılmış bataryaların kullanımı bataryanın patlamasına ve sonuç olarak yangın, kişisel yaralanma ve hasara neden olabilir. Ayrıca Makita aleti ve şarj aletinin Makita tarafından sunulan garantisini de geçersiz olur.

Maksimum batarya ömrü için ipuçları

1. Batarya kartuşunu tamamen boşalmadan önce şarj edin. Aletin gücünün zayıflamaya başladığını fark ettiğinizde aleti durdurun ve batarya kartuşunu şarj edin.
2. Tam dolu bir batarya kartuşunu asla yeniden şarj etmeyin. Aşırı şarj etme bataryanın hizmet ömrünü kısaltır.
3. Batarya kartuşunu 10 °C - 40 °C oda sıcaklığında şarj edin. Sıcak bir batarya kartuşunu şarj etmeden önce soğumasını bekleyin.
4. Batarya kartuşunu kullanılmıyorken aletten veya şarj aletinden çıkarın.
5. Uzun bir süre (altı aydan daha fazla) kullanmadığınız durumlarda batarya kartuşunu şarj edin.

İŞLEVSEL NİTELİKLER

⚠DİKKAT: Alet üzerinde ayarlama veya işleyiş kontrolü yapmadan önce aletin kapalı ve batarya kartuşunun ayrılmış olduğundan daima emin olun.

Batarya kartuşunun takılması ve çıkarılması

⚠DİKKAT: Batarya kartuşunu takmadan ya da çıkarmadan önce aleti daima kapatın.

⚠DİKKAT: Batarya kartuşunu takarken veya çıkarırken aleti ve batarya kartuşunu sıkıca tutun. Aletin ve batarya kartuşunun sıkıca tutulmaması bunların düşürülmesine sebep olabilir ve alet ve batarya kartuşunun zarar görmesine ya da ciddi yaralanmaya yol açabilir.

► **Şek.1:** 1. Kırmızı göstergesi 2. Düğme 3. Batarya kartuşu

Batarya kartuşunu çıkarmak için, kartuşun ön tarafındaki düğmeyi kaydırarak kartuşu aletten çıkarın.

Batarya kartuşunu takmak için, batarya kartuşu üzerindeki dili yuvanın oluğu ile hizalayın ve kartuşu yerine oturtun. Kartuşu, küçük bir tık sesi ile yerine sabitlenene dek sonuna kadar ittirin. Şekilde gösterildiği gibi kırmızı göstergesiyle görebiliyorsanız tam olarak kilitlenmemiştir demektir.

⚠DİKKAT: Batarya kartuşunu daima kırmızı gösterge görünmeyecek şekilde tam olarak takın. Yerin tam olmaması, aletten yanlışlıkla düşebilir, sizin ya da çevrenizdeki kişilerin yaralanmasına neden olabilir.

⚠DİKKAT: Batarya kartuşunu zorlayarak takmayın. Kartuş kolay bir şekilde kaymıyorsa doğru yerleştirilmemiş demektir.

Kalan batarya kapasitesinin gösterilmesi

Sadece göstergeli batarya kartuşları için

► **Şek.2:** 1. Gösterge lambaları 2. Kontrol düğmesi

Kalan batarya kapasitesini göstermesi için batarya kartuşu üzerindeki kontrol düğmesine basın. Gösterge lambaları birkaç saniye yanar.

Gösterge lambaları			Kalan kapasite
Yanıyor	Kapalı	Yanıp sönmüyor	
■	□	▣	%75 ila %100
■ ■ ■ ■	□	□	
■ ■ ■ □	□	□	%50 ila %75
■ ■ □ □	□	□	%25 ila %50
■ □ □ □	□	□	%0 ila %25
▣ □ □ □	□	□	Bataryayı şarj edin.
■ ■ □ □	□	□	Batarya arızalanmış olabilir.
□ □ ■ ■	□	□	

NOT: Kullanım koşullarına ve ortam sıcaklığına bağlı olarak, gösterilen değer gerçek kapasiteden biraz farklılık gösterebilir.

NOT: İlk (en soldaki) gösterge lambası, batarya koruma sistemi çalıştığında yanıp söner.

Alet/batarya koruma sistemi

Bu alet bir alet/batarya koruma sistemi ile donatılmıştır. Bu sistem motora giden gücü otomatik olarak keserek uzun alet ve batarya ömrü sağlar. Alet veya batarya için aşağıdaki durumlardan biri söz konusu olduğunda aletin işleyişi otomatik olarak durur. Bazı durumlarda göstergeler yanar.

Aşırı yük koruması

Alet/batarya, anormal derecede yüksek akım çekmesine neden olacak şekilde çalıştırılırsa alet otomatik olarak durur ve çalışma lambası yanıp söner. Bu durumda, aleti kapatın ve aletin aşırı yüklenmesine neden olan uygulamayı durdurun. Daha sonra aleti yeniden çalıştırmak için açın.

Aşırı ısınma koruması

Alet/batarya aşırı ısındığında otomatik olarak durur ve çalışma lambası yanıp söner. Bu durumda, yeniden çalıştırmadan önce aletin soğumasını bekleyin.

Aşırı deşarj koruması

Batarya kapasitesi düştüğünde, alet otomatik olarak durur. Alet, anahtar kullanımı ile çalışmazsa bataryayı aletten çıkarın ve şarj edin.

Diğer nedenlere karşı korumalar

Koruma sistemi, alete zarar verebilecek diğer nedenler için de tasarlanmıştır ve aletin otomatik olarak durmasını sağlar. Alet çalışırken geçici duraklama ve durma yaparsa nedenleri ortadan kaldırmak için aşağıdaki tüm adımları uygulayın.

1. Aleti kapatın ve ardından tekrar açarak yeniden çalıştırın.
2. Bataryaları şarj edin veya şarjlı bataryalarla değiştirin.
3. Aletin ve bataryaların soğumasını bekleyin.

Koruma sistemi eski haline getirilerek ilerleme kaydedilemezse yerel Makita Servis Merkezine başvurun.

Anahtar işlemi

⚠UYARI: Güvenlik kilidi düğmesine basmadan sadece anahtar tetik çekildiğinde çalışan bir aleti ASLA kullanmayın. Tamir edilmesi gereken bir anahtar, istem dışı çalışmaya ve ciddi kişisel yaralanmalara neden olabilir. Daha fazla kullanmadan ÖNCE tamir ettirmek için aleti bir Makita servisine götürün.

⚠UYARI: Güvenlik kilidi düğmesini ASLA bantlayarak ya da başka bir yöntemle devre dışı bırakmaya çalışmayın. Güvenlik kilidi düğmesi devre dışı bırakılmış bir anahtar, istem dışı çalışmaya ve ciddi kişisel yaralanmalara neden olabilir.

⚠DİKKAT: Batarya kartuşunu alete takmadan önce anahtar tetiğin doğru çalıştığından ve bırakıldığına "OFF" (kapalı) konumuna döndüğünden emin olun.

⚠DİKKAT: Güvenlik kilidi düğmesine basmadan anahtar tetiği sıkıca çekmeyin. Bu, anahtarın kırılmasına neden olabilir.

⚠DİKKAT: Anahtar tetiği bıraktığınızda alet, diskin dönüşünü hemen frenlemeye başlar. Anahtar tetiği bırakırken dönüşün frenlenmesine karşı oluşacak tepkiyi önlemek için aleti sıkıca tutun. Ani tepki, aleti elinizden düşürmenize ve kişisel yaralanmaya neden olabilir.

Anahtar tetiğin kazara çekilmesini önlemek için, bir güvenlik kilidi düğmesi sunulmuştur. Aleti başlatmak için, güvenlik kilidi düğmesine basıp basılı tutun ve ardından anahtar tetiği çekin. Durdurmak için anahtar tetiği bırakın.

► **Şek.3:** 1. Anahtar tetik 2. Güvenlik kilidi düğmesi

Disk seçimi

⚠DİKKAT: Aksesuarın nominal hızı en azından elektrikli aletin üstünde belirtilen maksimum hıza eşit olmalıdır. Nominal hızlarından daha hızlı çalışan aksesuarlar kırılabilir ve fırlayabilir.

⚠DİKKAT: Diskler sadece tavsiye edilen uygulamalar için kullanılmalıdır.

Uygulamanıza en uygun kesme diski tiplerinden birini seçin.

Disk tipi	Pratik uygulamalar
Kesme diski	Çelik, paslanmaz çelik, metal kesme
Tungsten karbür taneçikli disk	Plastik, siva, kompozit malzeme kesme
Elmas disk	Karo, seramik kesme

Disk dönüş yönü

⚠DİKKAT: Kullanmadan önce dönüş yönünü daima kontrol edin.

⚠DİKKAT: Ters döndürme anahtarını sadece alet tamamen durduktan sonra kullanın. Çalışma sırasında dönüş yönünün aniden değiştirilmesi aleti güvenlik nedenleriyle keskin bir şekilde durdurur.

Disk dönüşü ileri veya geri yönde olacak şekilde değiştirilebilir.

İleri dönüşü ayarlamak için ters döndürme anahtarını, anahtarın üzerinden "F" göstergesi gözükene kadar sola kaydırın. Geri dönüşü seçmek için ters döndürme anahtarını, anahtarın üzerinden "R" göstergesi gözükene kadar sağa kaydırın.

► **Şek.4:** 1. Ters döndürme anahtarı

Talaş, moloz, kıvılcım ve kesim parçacıkları disk dönüş yönüne teğet bir yön boyunca uçuşma eğilimi gösterirler. Kesim parçacıklarına sürekli maruz kalmayı engellemek amacıyla kesim tozu ve parçacıklarının bazılarını alternatif bir yöne boşaltabilmesi için disk siperini etkin bir şekilde kullanın.

Dönen diskin aniden durmasına gösterilen reaksiyon, aleti disk dönüşünün aksi yönünde kontrolsüz bırakabilir.

İleri dönüş

► **Şek.5:** 1. Kesim parçacıkları 2. Reaksiyonlar

Geri dönüş

► **Şek.6:** 1. Kesim parçacıkları 2. Reaksiyonlar

Disk siperi

⚠DİKKAT: Kullanmadan önce disk siperinin, kesme diskinin arkasında düzgün ve sıkıca konumlandırıldığından emin olun.

Olası risk faktörlerine karşı maksimum güvenlik ve minimum maruz kalma için disk siperini, çalışma koşullarınıza ve tercihlerinize göre rahat bir konumda sabitleyin.

İleri doğru konumlandırma

► **Şek.7:** 1. Disk siperi 2. Kesme diski

Geriye doğru konumlandırma

► **Şek.8:** 1. Disk siperi 2. Kesme diski

Şaft kilidi

Kesme diskini takarken ve çıkarırken milin dönmesini önlemek için şaft kilidine basın.

► **Şek.9:** 1. Şaft kilidi

ÖNEMLİ NOT: Mil hareket halindeyken şaft kilidini asla kullanmayın. Alet zarar görebilir.

Çalışma lambası

⚠DİKKAT: Işığa bakmayın ya da ışık kaynağını doğrudan görmeyin.

Çalışma lambasını yakmak için güvenlik kilidi düğmesine basın ve düğmeyi basılı tutarken anahtar tetiği çekin. Lamba, anahtar tetik bırakıldıktan yaklaşık 15 saniye sonra söner.

► **Şek.10:** 1. Çalışma lambası

ÖNEMLİ NOT: Alet aşırı yükte çalıştırılırsa çalışma lambası yanıp söner. Bu durumda anahtar tetiği bırakın ve ardından yeniden çalıştırmadan önce aletin üzerindeki yükü azaltın.

ÖNEMLİ NOT: Alet aşırı ısındığında çalışma lambası yanıp söner. Bu durumda anahtar tetiği bırakın ve ardından yeniden çalıştırmadan önce aleti/bataryayı soğutun.

NOT: Lamba lensini temizlemek için kuru bir bez kullanın. Aydınlatmayı azaltacağı için lamba lensinin çizilmemesine dikkat edin.

Kesimin derinliğini ayarlamak

⚠DİKKAT: Kesim derinliğini ayarladıktan sonra kelebek vidayı mutlaka iyice sıkın.

Toz toplama kapağı takılıyken kesim derinliğinde 13,5 mm'ye kadar ince ayar yapılabilir.

Derinlik ölçüğü üzerindeki kelebek vidayı gevşetin. Alet tutamağını, kapak üzerindeki derinlik göstergelerini ölçek üzerindeki istediğiniz kesim derinliği ile hizalayacak konuma kaldırın veya indirin. Ardından kelebek vidayı sıkın.

► **Şek.11:** 1. Kelebek vida 2. Derinlik ölçüğü 3. Derinlik göstergesi

⚠DİKKAT: Temiz ve güvenli bir kesim için kesim derinliklerini, kesme diski iş parçasının alt yüzeyini 2,0 mm veya daha az geçecek şekilde ayarlayın. Uygun kesim derinliklerinin ayarlanması ciddi yaralanmalara neden olabilecek olası tehlikeli geri tepmelerin önlenmesine yardımcı olur.

Düz kesim için yön verme

Toz toplama kapağı takılıyken gerçek kesim işleminden önce kesme diski kesim yönüne doğru hizalanarak düz kesim işlemi güvenli bir şekilde gerçekleştirilebilir.

Toz toplama kapağının tabanındaki kılavuz çentiğini iş parçasının üzerindeki hedeflediğiniz kesim çizgisine hizalayın.

► **Şek.12:** 1. Kılavuz çentiği 2. Taban 3. Kesim çizgisi

Bir elektrikli süpürge'nin bağlanması

İsteğe bağlı aksesuar

Temiz kesim işlemi yapmak isterseniz ön manşon 22 (isteğe bağlı aksesuar) kullanarak toz toplama kapağın-daki toz ağızlığına bir Makita elektrikli süpürge bağlayın.
► **Şek.13:** 1. Ön manşon 22 2. Toz ağızlığı 3. Hortum 4. Elektrik süpürgesi

İstemsiz yeniden başlatma önleyici işlev

Anahtar tetiği çekerken batarya kartuşu takıldığında alet çalışmaz.

Aleti çalıştırmak için önce anahtar tetiği bırakın. Güvenlik kilidi düğmesine basıp basılı tutun ve ardından anahtar tetiği çekin.

Elektronik fonksiyonu

Alet kolay kullanım için elektronik fonksiyonlarla donatılmıştır.

- Elektrikli fren
Bu alet bir elektrikli fren ile donatılmıştır. Anahtar tetik bırakıldıktan sonra alet sürekli olarak çabu-cak çalışmayı durduruyorsa alete Makita servis merkezinde bakım yaptırın.
- Sabit hız kontrolü
Hız kontrol fonksiyonu, yük koşullarından bağımsız olarak sabit devir hızı sağlar.
- Aktif Geri Besleme algılama Teknolojisi
Alet, diskini ya da aksesuarın takılma riski olduğu durumları elektronik olarak algılar. Bu durumda, alet milin daha fazla dönmesini engellemek için otomatik olarak kapanır (geri tepmeyi engellemez).
Aleti yeniden başlatmak için, önce aleti kapatın, dönüş hızındaki ani düşüşün nedenini ortadan kaldırın ve ardından aleti açık konuma getirin.

MONTAJ

⚠DİKKAT: Alet üzerinde herhangi bir iş yapmadan önce aletin kapalı ve batarya kartuşunun ayrılmış olduğundan daima emin olun.

Altıgen anahtarın saklanması

Kullanılmadığı zamanlarda, altıgen anahtarın kaybolmasını önlemek için anahtar şeklide gösterildiği gibi saklayın.

► **Şek.14:** 1. Altıgen anahtar

Kesme diskinin takılması ve çıkarılması

⚠DİKKAT: Kesme diskini çıkarmak ve takmak için sadece verilen Makita alyan anahtarını kullanın.

⚠DİKKAT: Kesme diskini takarken, civatayı iyice sıktığınızdan emin olun.

ÖNEMLİ NOT: Bir elmas disk takarken en iyi performans için elmas disk üzerindeki okların istediğiniz disk dönüşü ile aynı yöne baktığından her zaman emin olun.

Kesme diskini çıkarmak için, şaft kilidine tamamen basarak kesme diskinin dönmesini engelleyin ve alyan anahtarını kullanarak altıgen civataları saatin aksi yönünde çevirmek suretiyle gevşetin. Ardından, altıgen civatayı, dış flanşı ve kesme diskini çıkarın.

► **Şek.15:** 1. Şaft kilidi 2. Altıgen anahtar 3. Altıgen civata 4. Gevşet 5. Sıkıla

ÖNEMLİ NOT: İç flanş çıkartılırsa, disk montaj parçası yukarı doğru bakacak şekilde milin üzerine geri yerleştirin.

Kesme diskini takmak için, çıkarma işlemlerini tersinden uygulayın.

► **Şek.16:** 1. Altıgen civata 2. Dış flanş 3. Kesme disk 4. İç flanş 5. Mil

Toz toplama kapağının takılması ve çıkarılması

⚠DİKKAT: Kullanmadan önce disk siperinin toz toplama kapağının içine durdurucu tarafından iyice sabitlendiğinden emin olun.

⚠DİKKAT: Toz toplama kapağının plastik parçalarını eritebileceği için toz toplama kapağını, ısı ve uçuşan kıvılcımlar üreten metal işlerinde kullanmaktan kaçının.

Toz toplama kapağı özellikle karo, sıva, keramik kesimlerinde dönen diske karşı koruma, kesim kararlılığı, kesim derinliği üzerinde hassas kontrol ve toz çekme çözümleri sağlayarak güvenli ve verimli kesim işlemlerini geliştirir.

Toz toplama kapağının takılması

1. Toz toplama kapağının derinlik ölçeği üzerindeki kelebek vidayı gevşetin. Kapağı sonuna kadar yukarı kaldırın ve toz toplama kapağını kalkık konumda sabitlemek için kelebek vidayı sıkın.

► **Şek.17:** 1. Kelebek vida 2. Derinlik ölçeği 3. Toz toplama kapağı

2. Disk siperini ileri konumda aletin üzerine yerleştirin.
► **Şek.18:** 1. Disk siperi

3. Aletin tutamağını hafifçe kaldırın ve kesme diskini alt kısmını tabandaki disk kanalından aşağı çıkaracak biçimde disk siperinin ön yarısını bir açıyla toz toplama kapağının içine yerleştirin.

► **Şek.19:** 1. Disk siperi 2. Toz toplama kapağı 3. Kesme disk 4. Disk kanalı

4. Aletin tutamağını kalkık konumdan aşağı konuma indirerek disk siperinin arka yarısını toz toplama kapağının içine takın.

► **Şek.20:** 1. Disk siperi 2. Toz toplama kapağı

5. Disk siperinin arka kenarını toz toplama kapağının içindeki durdurucuya geçirmek için aletin tutamağını yeniden kaldırın.

► **Şek.21:** 1. Disk siperi 2. Durdurucu

6. Kelebek vidayı gevşetin. Aleti yukarı aşağı döndürerek istediğiniz kesim derinliğine getirin. Ardından kelebek vidayı sıkarak aleti yerine sabitleyin.

Toz toplama kapağının çıkarılması

1. Toz toplama kapağının derinlik ölçüğü üzerindeki kelebek vidayı gevşetin. Aletin tutamağını sonuna kadar yukarı kaldırın ve toz toplama kapağını kalkık konumda sabitlemek için kelebek vidayı sıkın.

► **Şek.22:** 1. Kelebek vida 2. Derinlik ölçüğü 3. Toz toplama kapağı

2. Disk siperini toz toplama kapağının içindeki durdurucudan kurtarmak için serbest bırakma kolunu kelebek vidaya doğru kaydırın.

► **Şek.23:** 1. Serbest bırakma kolu 2. Kelebek vida 3. Disk siperi 4. Toz toplama kapağı 5. Durdurucu

3. Aletin tutamağını kalkık konumdan aşağı konuma indirerek disk siperinin arka yarısını toz toplama kapağından çıkarın.

► **Şek.24:** 1. Disk siperi 2. Toz toplama kapağı

4. Disk siperinin ön yarısını hafif yukarı ve dışa doğru bir açıyla toz toplama kapağından çekerek çıkarın.

► **Şek.25:** 1. Disk siperi 2. Toz toplama kapağı

KULLANIM

⚠DİKKAT: Kullanım sırasında aleti her zaman sıkıca tutun.

⚠DİKKAT: Aleti zorlamayın. Zorlamak ve aşırı basınç uygulamak ya da kesim sırasında diskin bükülmesine, sıkışmasına ya da eğilmesine izin vermek motorun aşırı ısınmasına ve aletin tehlikeli biçimde geri tepmesine neden olabilir.

⚠DİKKAT: Plastik keserken kesme diskinin aşırı ısınmasına kesinlikle izin vermeyin. İş parçasının erimesine neden olabilir.

⚠DİKKAT: Çalışmaya başlarken veya çalışma sırasında kesme diskine vurmayın veya çarpmayın.

⚠DİKKAT: Çalışma sırasında daima koruyucu gözlük veya bir yüz siperi kullanın.

⚠DİKKAT: Çalışmanız bitince daima aleti kapattın ve yere koymadan önce diskin tamamen durmasını bekleyin.

Aşağı doğru kesme

ÖNEMLİ NOT: Kesim parçacıklarına karşı maruz kalmayı önlemek için diskin etkin kesim yüzeyini kullanma konusunda gereken özeni gösterin.

ÖNEMLİ NOT: Çalışma sırasında kesme diskinin iş parçasının içinde düz durur şekilde tutun ve aleti yatırmaktan veya döndürmekten kaçının.

Kesme diskinin fırlattığı kıvılcıklara ve oynak parçacıklara karşı maksimum koruma sağlamak için disk siperini düzgün konumlandırın. Aleti iş parçasının üzerine, kesme diski hiçbir şekilde temas etmeden yerleştirin. Aleti çalıştırın ve kesme diski tam hıza ulaşana kadar bekleyin. Ardından uygulamalarınıza uygun makul bir besleme kullanarak aleti iş parçasının üzerine yavaşça indirin.

İleri dönüş

► **Şek.26**

Geri dönüş

► **Şek.27**

Düz kesim

⚠DİKKAT: Kesme diskinin her zaman yukarı yönlü taşlama hareketiyle çalıştığından emin olun. Aksi takdirde aletin kontrolsüz bir şekilde kesim yerinden dışarı itirilmesine neden olabilir.

ÖNEMLİ NOT: İş parçası boyunca eşit bir kesim elde etmek için kesim çizginizi düz tutun ve sabit baskı uygulayın.

Toz toplama kapağının taban plakasını, kesme diski hiçbir şekilde temas etmeden kesilecek iş parçasının üzerine yerleştirin. Aleti çalıştırın ve kesme diski tam hıza ulaşana kadar bekleyin. Ardından aleti iş parçasının yüzeyi üzerinde yavaşça hareket ettirerek kesim işlemi tamamlanana kadar düz tutmak suretiyle yumuşak bir şekilde ilerletin.

İterek kesim için geri dönüşü ve çekerek kesim için ileri dönüşü seçin.

Geri dönüşte iterек kesim

► **Şek.28**

İleri dönüşte çekerek kesim

► **Şek.29**

NOT: Bazı kesim parçacıkları kapağın içinde toz çekme akışına karşı yayıldığı için toz toplama kapağının çekerek kesimde daha az verimli çalışma eğiliminde olduğuna dikkat edin.

BAKIM

⚠DİKKAT: Muayene ya da bakım yapmadan önce aletin kapalı ve batarya kartuşunun çıkartılmış olduğundan daima emin olun.

ÖNEMLİ NOT: Benzın, tiner, alkol ve benzeri maddeleri kesinlikle kullanmayın. Renk değişimi, deformasyon veya çatlaklar oluşabilir.

Aleti EMNİYETLİ ve ÇALIŞMAYA HAZIR durumda tutmak için onarımlar, başka her türlü bakım ve ayarlamalar daima Makita yedek parçaları kullanılarak Makita yetkili servis merkezleri veya Fabrikanın Servis Merkezleri tarafından yapılmalıdır.

Elmas diskin düzeltilmesi

Elmas diskin kesim hareketi azalmaya başlarsa eski bir ıskarta kaba tanecikli tezgah üstü taşlama makinesi bileği taşı veya beton blok kullanarak elmas diski düzeltilir. Bunun için tezgah üstü taşlama makinesi bileği taşıyı veya beton bloğu sıkıca sabitleyin ve bunları kesin.

Kullanım sonrası

Aleti bir süre boşta çalıştırarak aletin içindeki tozu gidirin. Motorda toz birikmesi aletin arızalanmasına neden olabilir.

Disk siperinin ve toz toplama kapağının temizlenmesi

Disk siperinin ve toz toplama kapağının içini düzenli aralıklarla temizleyin. İçlerinde biriken kiri veya tozu üfleyerek veya silerek temizleyin.

► **Şek.30:** 1. Disk siperi 2. Toz toplama kapağı

Hava deliğinin temizlenmesi

Pürüzsüz hava sirkülasyonu için aletin hava deliklerini düzenli aralıklarla temizleyin. Kirlendiğinde ve tıkanmış durumda toz kapağını hava alma deliğinden çıkarın ve temizleyin.

► **Şek.31:** 1. Toz kapağı 2. Hava alma deliği

İSTEĞE BAĞLI AKSESUARLAR

⚠ DİKKAT: Bu aksesuarlar ve ek parçalar bu el kitabında belirtilen Makita aletiniz ile kullanılmak için tavsiye edilmektedir. Herhangi başka bir aksesuar ya da ek parça kullanılması insanlar için bir yaralanma riski getirebilir. Aksesuarları ya da ek parçaları yalnızca belirtilmiş olan kullanım amaçlarına uygun olarak kullanın.

Bu aksesuarlarla ilgili daha fazla bilgiye ihtiyaç duyarsanız bulunduğunuz yerdeki yetkili Makita servisine başvurun.

- Kesme diski
- Elmas disk
- Tungsten karbür tanecikli disk
- Altıgen anahtar
- Orijinal Makita batarya ve şarj aleti

NOT: Listedeki parçaların bazıları alet paketi içerisinde standart aksesuar olarak dahil edilmiş olabilir. Bunlar ülkeden ülkeye farklılık gösterebilir.

Makita Europe N.V. Jan-Baptist Vinkstraat 2,
3070 Kortenberg, Belgium

Makita Corporation 3-11-8, Sumiyoshi-cho,
Anjo, Aichi 446-8502 Japan

www.makita.com

885963B996
EN, FR, DE, IT, NL,
ES, PT, DA, EL, TR
20221028