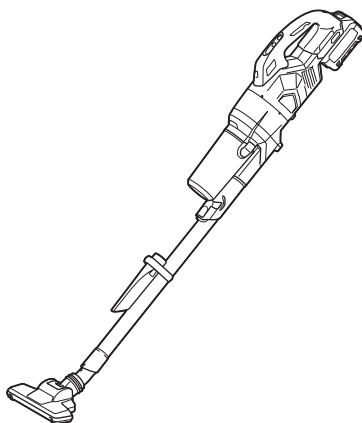




<b>EN</b>	<b>Cordless Cleaner</b>	<b>INSTRUCTION MANUAL</b>	<b>10</b>
<b>FR</b>	<b>Aspirateur sans Fil</b>	<b>MANUEL D'INSTRUCTIONS</b>	<b>19</b>
<b>DE</b>	<b>Akku-Staubsauger</b>	<b>BETRIEBSANLEITUNG</b>	<b>29</b>
<b>IT</b>	<b>Aspiratore a batteria</b>	<b>ISTRUZIONI PER L'USO</b>	<b>39</b>
<b>NL</b>	<b>Accustofzuiger</b>	<b>GEBRUIKSAANWIJZING</b>	<b>49</b>
<b>ES</b>	<b>Aspiradora Inalámbrica</b>	<b>MANUAL DE INSTRUCCIONES</b>	<b>59</b>
<b>PT</b>	<b>Aspirador de pó a bateria</b>	<b>MANUAL DE INSTRUÇÕES</b>	<b>69</b>
<b>DA</b>	<b>Akku støvsuger</b>	<b>BRUGSANVISNING</b>	<b>79</b>
<b>EL</b>	<b>Φορητή σκούπα</b>	<b>ΕΓΧΕΙΡΙΔΙΟ ΟΔΗΓΙΩΝ</b>	<b>88</b>
<b>TR</b>	<b>Akülü Süpürge</b>	<b>KULLANMA KILAVUZU</b>	<b>98</b>

## CL003G



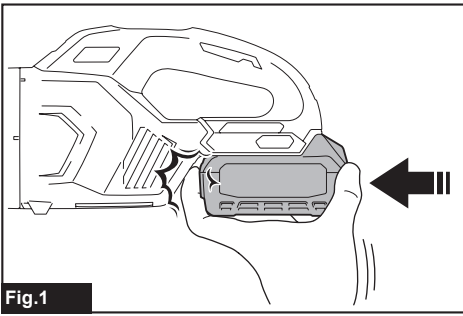


Fig.1

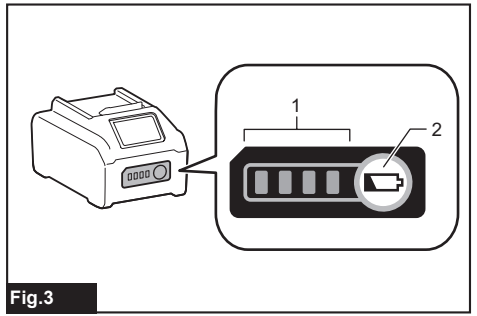


Fig.3

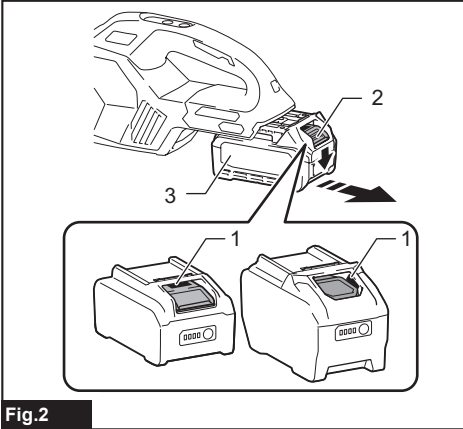


Fig.2

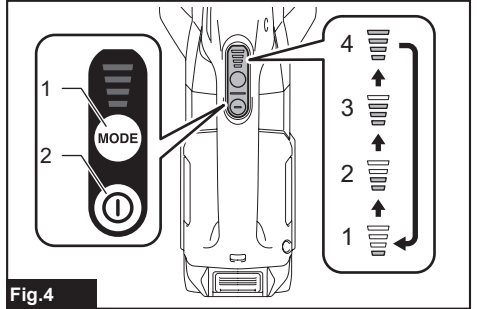


Fig.4

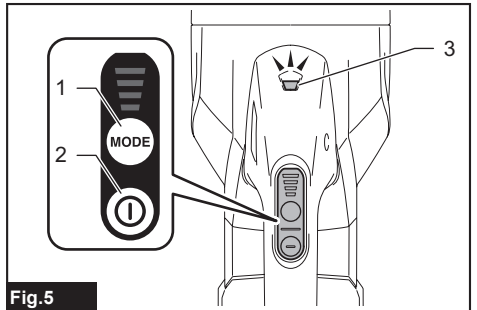


Fig.5

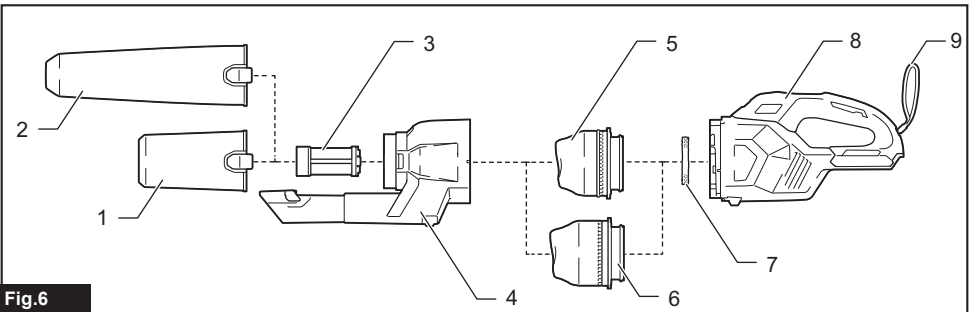
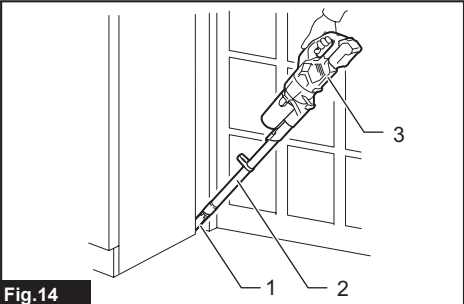
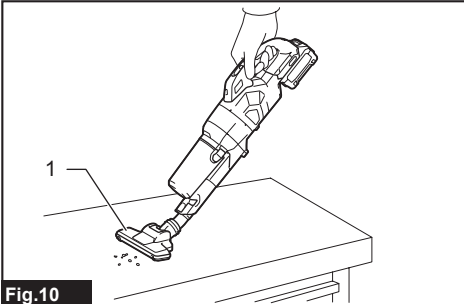
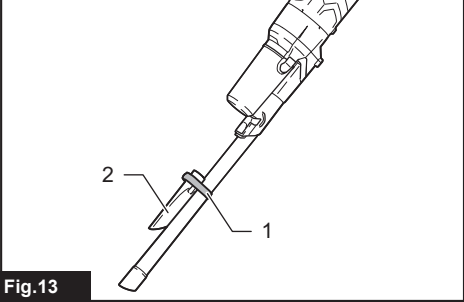
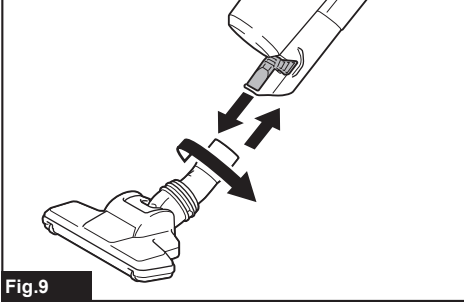
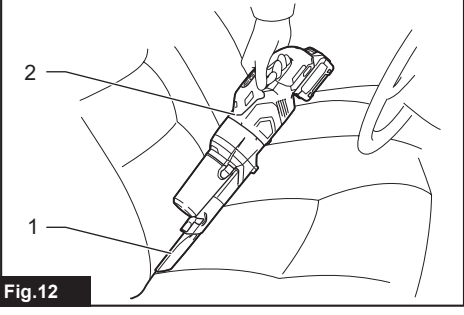
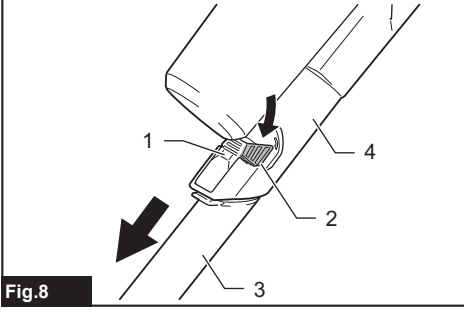
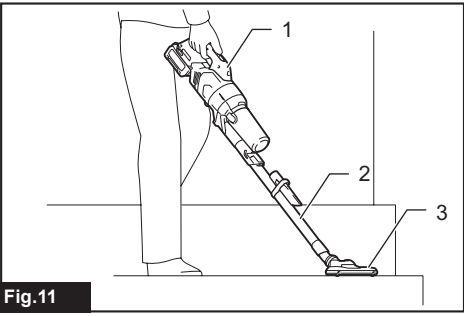
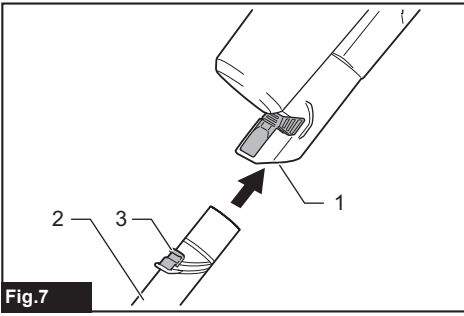
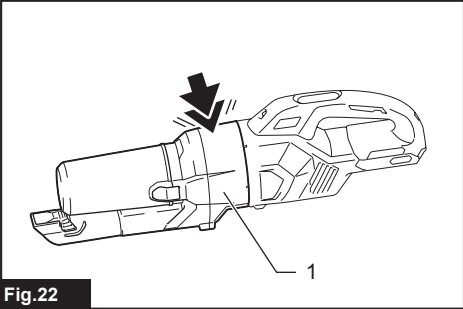
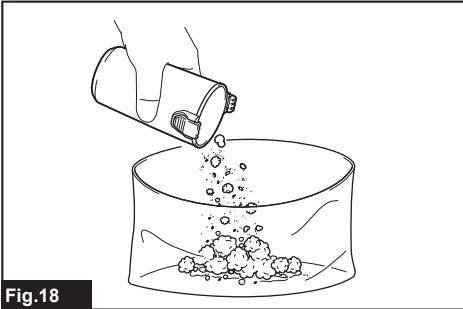
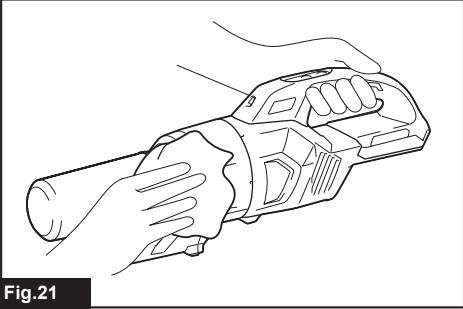
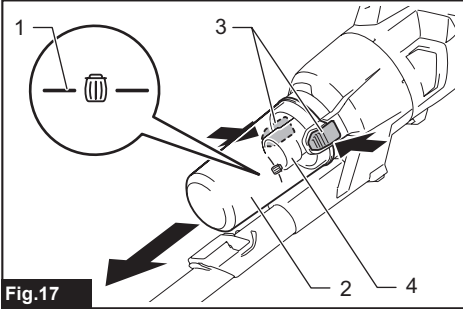
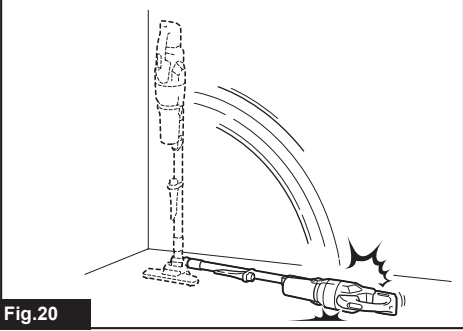
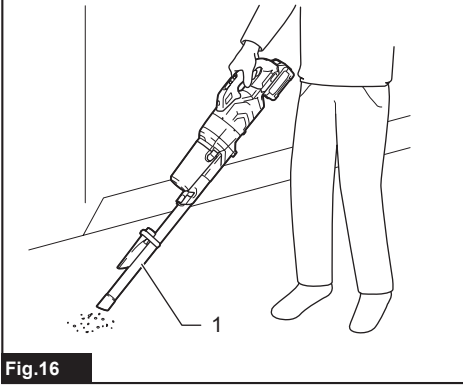
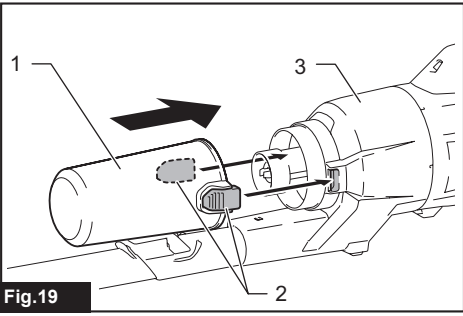
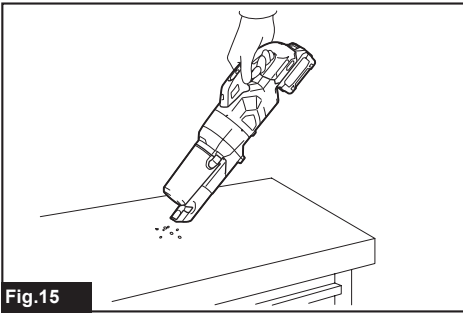


Fig.6





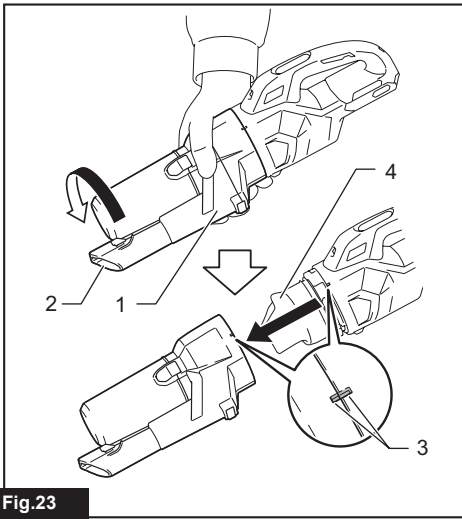


Fig.23

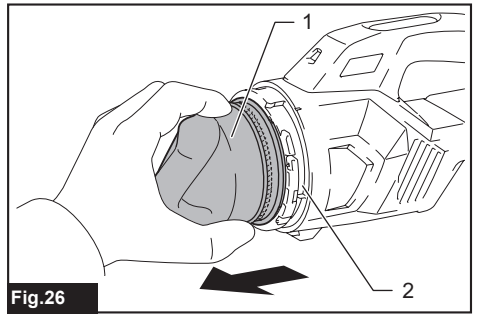


Fig.26



Fig.27

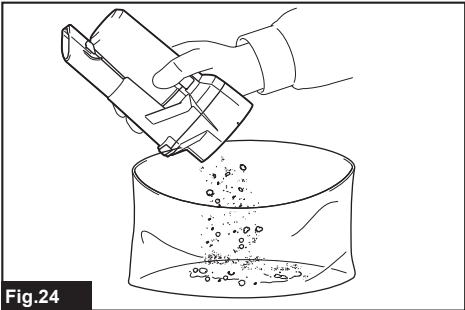


Fig.24

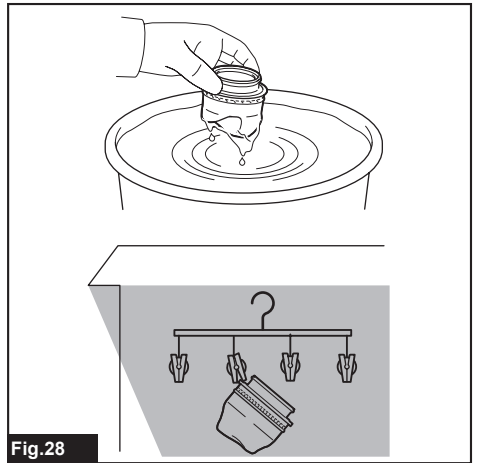


Fig.28

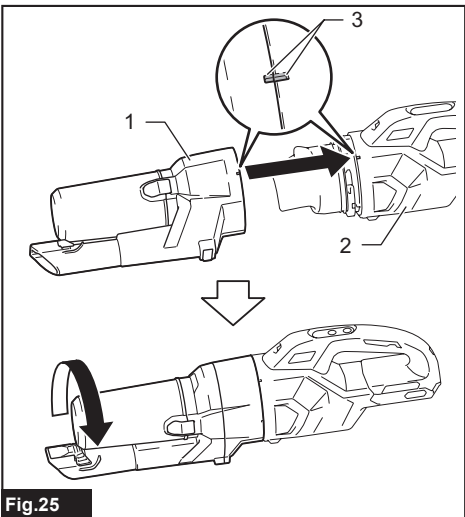


Fig.25

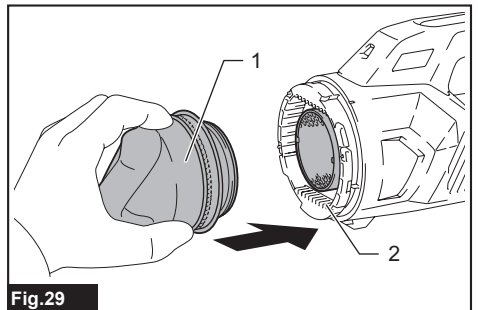


Fig.29

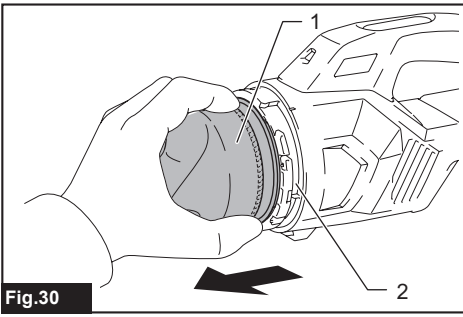


Fig.30

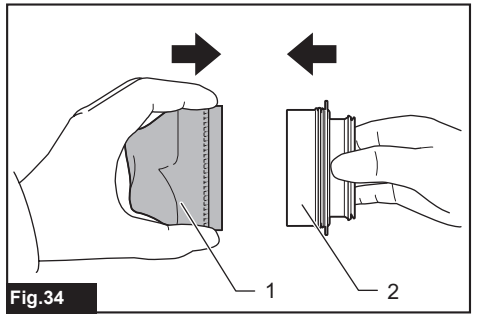


Fig.34

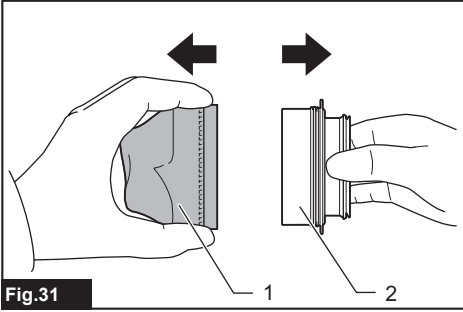


Fig.31

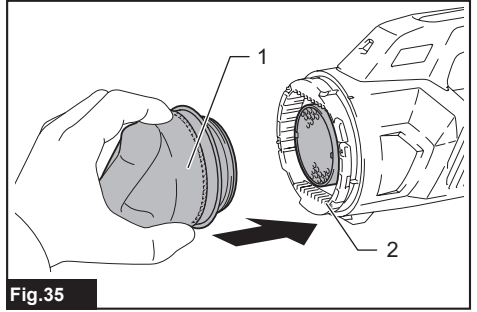


Fig.35

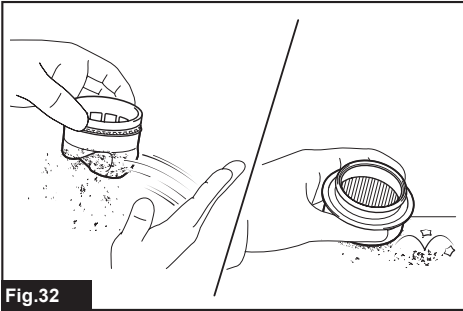


Fig.32

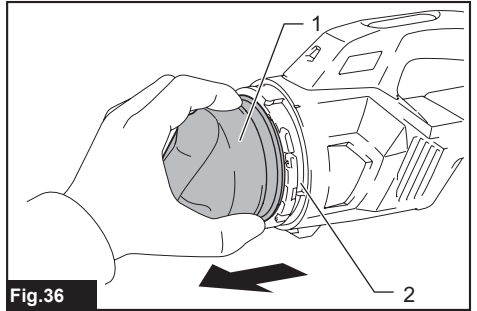


Fig.36

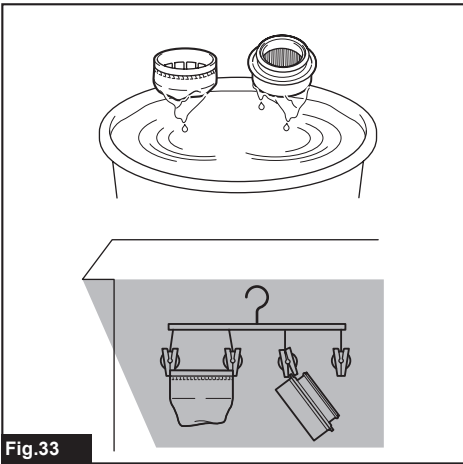


Fig.33

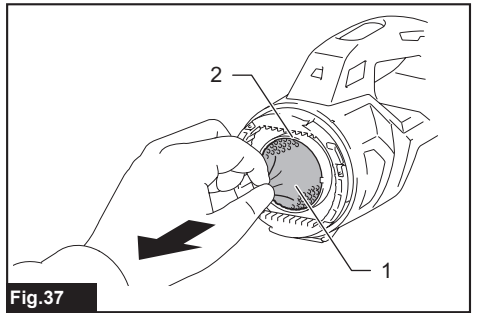
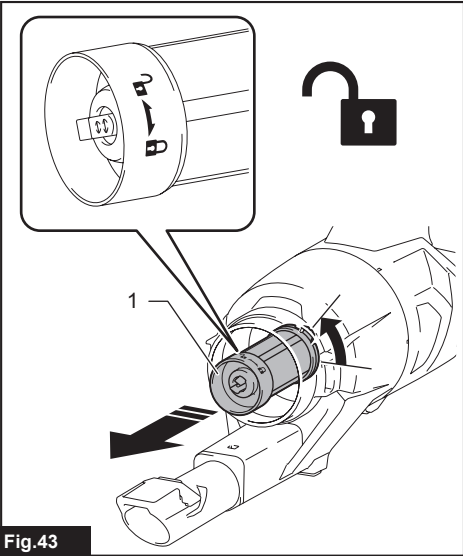
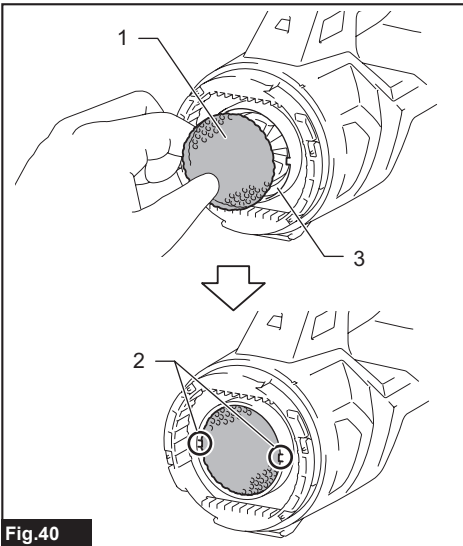
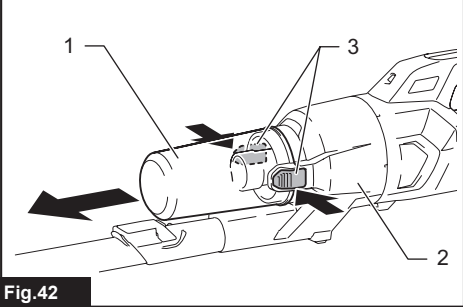
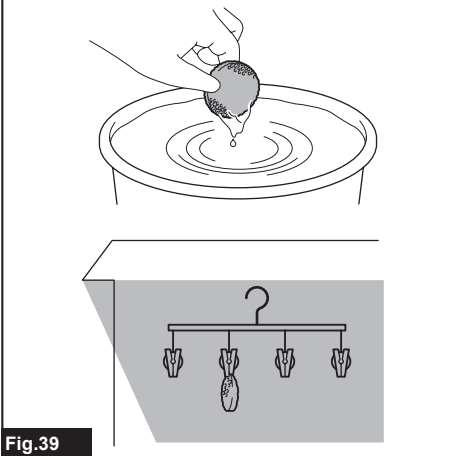
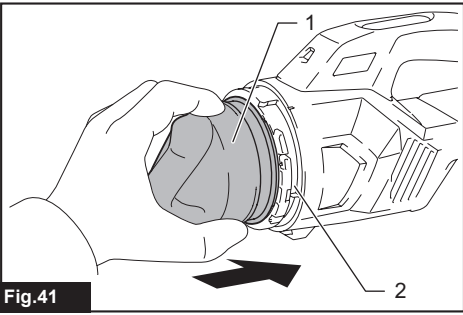
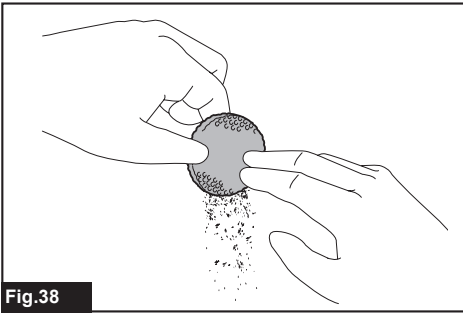
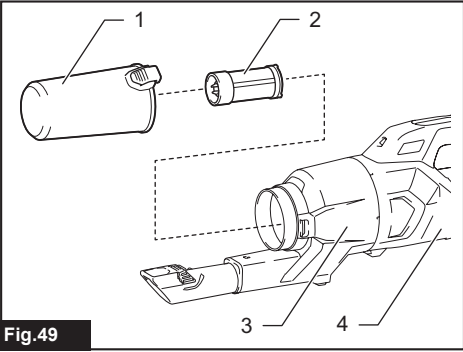
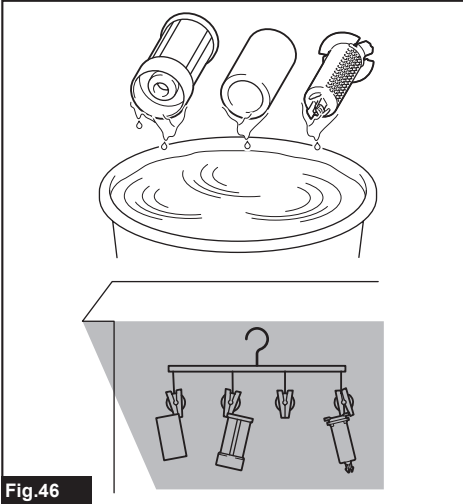
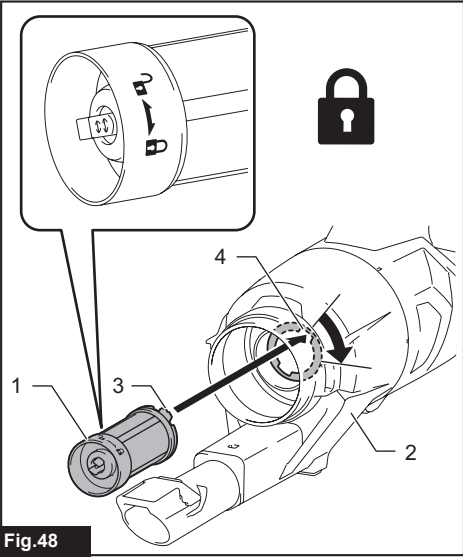
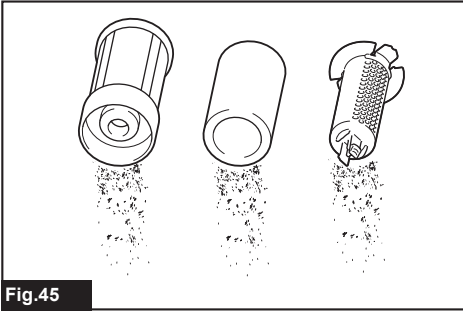
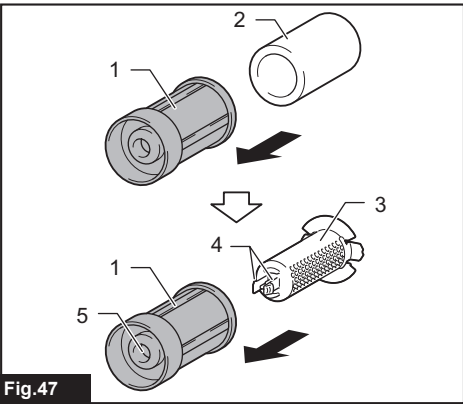
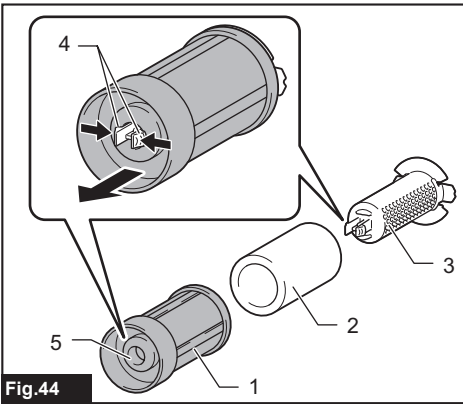
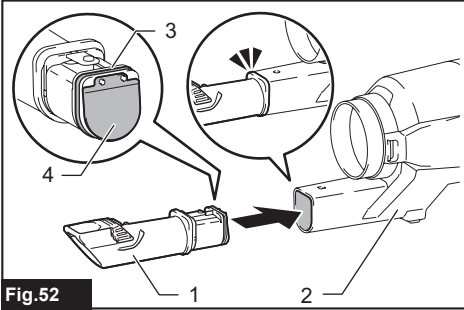
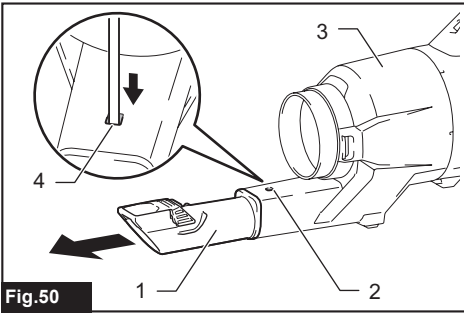


Fig.37









## WARNING

- This appliance can be used by children aged from 8 years and above and persons with reduced physical, sensory or mental capabilities or lack of experience and knowledge if they have been given supervision or instruction concerning use of the appliance in a safe way and understand the hazards involved.
- Children shall not play with the appliance. Cleaning and user maintenance shall not be made by children without supervision.
- See the chapter "SPECIFICATIONS" for the type reference of the battery.
- See the section "Installing or removing battery cartridge" for how to remove or install the battery.
- When disposing the battery cartridge, remove it from the tool and dispose of it in a safe place. Follow your local regulations relating to disposal of battery.
- If the tool is not used for a long period of time, the battery must be removed from the tool.
- Do not short the battery cartridge.
- See the chapter "MAINTENANCE" for the appropriate details of precautions during user maintenance.

## SPECIFICATIONS

Model:		CL003G
Capacity		250 mL / 400 mL (country specific)
Continuous use (with battery BL4025)	1 (Quiet mode)	Approx. 80 min
	2 (Normal speed mode)	Approx. 40 min
	3 (High speed mode)	Approx. 25 min
	4 (Max speed mode)	Approx. 16 min
Overall length (with pipe, nozzle, and battery BL4025)		1,106 mm
Rated voltage		D.C. 36 V - 40 V max
Net weight		1.9 - 2.6 kg

- Due to our continuing program of research and development, the specifications herein are subject to change without notice.
- Specifications may differ from country to country.
- The weight does not include accessories but battery cartridge(s). The lightest and heaviest combination weight of the appliance and battery cartridge(s) are shown in the table.

### Applicable battery cartridge and charger

Battery cartridge	BL4020* / BL4025* / BL4040* / BL4050F * : Recommended battery
Charger	DC40RA / DC40RB / DC40RC

- Some of the battery cartridges and chargers listed above may not be available depending on your region of residence.

**⚠ WARNING: Only use the battery cartridges and chargers listed above.** Use of any other battery cartridges and chargers may cause injury and/or fire.

## Symbols

The followings show the symbols which may be used for the equipment. Be sure that you understand their meaning before use.



Read the instruction manual.



A representative battery applicable to this product.



Ni-MH  
Li-Ion

Only for EU countries  
Due to the presence of hazardous components in the equipment, waste electrical and electronic equipment, accumulators and batteries may have a negative impact on the environment and human health. Do not dispose of electrical and electronic appliances or batteries with household waste!  
In accordance with the European Directive on waste electrical and electronic equipment and on accumulators and batteries and waste accumulators and batteries, as well as their adaptation to national law, waste electrical equipment, batteries and accumulators should be stored separately and delivered to a separate collection point for municipal waste, operating in accordance with the regulations on environmental protection.  
This is indicated by the symbol of the crossed-out wheeled bin placed on the equipment.

## Intended use

The tool is intended for collecting dry dust.

## SAFETY WARNINGS

### Cordless cleaner safety warnings

**⚠ WARNING: IMPORTANT! READ CAREFULLY all safety warnings and all instructions BEFORE USE.** Failure to follow the warnings and instructions may result in electric shock, fire and/or serious injury.

1. Do not expose to rain. Store indoors.
2. Do not allow to be used as a toy. Close attention is necessary when used by or near children.
3. Use only as described in this manual. Use only manufacturer's recommended attachments.
4. Do not use with damaged battery. If appliance is not working as it should, has been dropped, damaged, left outdoors, or dropped into water, return it to a service center.
5. Do not handle appliance with wet hands.
6. Do not put any object into openings. Do not use with any opening blocked; keep free of dust, lint, hair, and anything that may reduce air flow.
7. Keep hair, loose clothing, fingers, and all parts of body away from openings and moving parts.

8. Turn off all controls before removing the battery.
9. Use extra care when cleaning on stairs.
10. Do not use to pick up flammable or combustible liquids, such as gasoline, or use in areas where they may be present.
11. Use only the charger supplied by the manufacturer to recharge.
12. Do not pick up anything that is burning or smoking, such as cigarettes, matches, or hot ashes.
13. Do not use without dust bag and/or filters in place.
14. Do not charge the battery outdoors.
15. Recharge only with the charger specified by the manufacturer. A charger that is suitable for one type of battery pack may create a risk of fire when used with another battery pack.
16. Use appliances only with specifically designated battery packs. Use of any other battery packs may create a risk of injury and fire.
17. When (the) battery pack is not in use, keep it away from other metal objects, like paper clips, coins, keys, nails, screws or other small metal objects, that can make a connection from one terminal to another.
18. Under abusive conditions, liquid may be ejected from the battery; avoid contact. If contact accidentally occurs, flush with water.
19. Do not use a battery pack or appliance that is damaged or modified. Damaged or modified batteries may exhibit unpredictable behaviour resulting in fire, explosion or risk of injury.
20. Do not expose a battery pack or appliance to fire or excessive temperature. Exposure to fire or temperature above 130 °C may cause explosion.
21. Follow all charging instructions and do not charge the battery pack or appliance outside the temperature range specified in the instructions. Charging improperly or at temperatures outside the specified range may damage the battery and increase the risk of fire.

## SAVE THESE INSTRUCTIONS.

### ADDITIONAL SAFETY RULES

This appliance is intended for household use.

1. Read this instruction manual and the charger instruction manual carefully before use.
2. Do not pick up the following materials:
  - Hot materials such as lit cigarettes or spark/metal dust generated by grinding/cutting metal
  - Flammable materials such as gasoline, thinner, benzene, kerosene or paint
  - Explosive materials like nitroglycerin
  - Ignitable materials such as Aluminum, zinc, magnesium, titanium, phosphorus or celluloid
  - Wet dirt, water, oil or the like
  - Hard pieces with sharp edges, such as wood chips, metals, stones, glasses, nails, pins or razors

- Powder to clot such as cement or toner
  - Conductive dust such as metal or carbon
  - Fine particle like concrete dust
- Such action may cause fire, injury and/or property damage.
3. Stop operation immediately if you notice anything abnormal.
  4. If you drop or strike the cleaner, check it carefully for cracks or damage before operation.
  5. Do not bring close to stoves or other heat sources.
  6. Do not block the intake hole or vent holes.

## SAVE THESE INSTRUCTIONS.

### Important safety instructions for battery cartridge

1. Before using battery cartridge, read all instructions and cautionary markings on (1) battery charger, (2) battery, and (3) product using battery.
2. Do not disassemble or tamper with the battery cartridge. It may result in a fire, excessive heat, or explosion.
3. If operating time has become excessively shorter, stop operating immediately. It may result in a risk of overheating, possible burns and even an explosion.
4. If electrolyte gets into your eyes, rinse them out with clear water and seek medical attention right away. It may result in loss of your eyesight.
5. Do not short the battery cartridge:
  - (1) Do not touch the terminals with any conductive material.
  - (2) Avoid storing battery cartridge in a container with other metal objects such as nails, coins, etc.
  - (3) Do not expose battery cartridge to water or rain.

A battery short can cause a large current flow, overheating, possible burns and even a breakdown.

6. Do not store and use the tool and battery cartridge in locations where the temperature may reach or exceed 50 °C (122 °F).
7. Do not incinerate the battery cartridge even if it is severely damaged or is completely worn out. The battery cartridge can explode in a fire.
8. Do not nail, cut, crush, throw, drop the battery cartridge, or hit against a hard object to the battery cartridge. Such conduct may result in a fire, excessive heat, or explosion.
9. Do not use a damaged battery.
10. The contained lithium-ion batteries are subject to the Dangerous Goods Legislation requirements. For commercial transports e.g. by third parties, forwarding agents, special requirement on packaging and labeling must be observed.

For preparation of the item being shipped, consulting an expert for hazardous material is required. Please also observe possibly more detailed national regulations. Tape or mask off open contacts and pack up the battery in such a manner that it cannot move around in the packaging.

11. When disposing the battery cartridge, remove it from the tool and dispose of it in a safe place. Follow your local regulations relating to disposal of battery.
12. Use the batteries only with the products specified by Makita. Installing the batteries to non-compliant products may result in a fire, excessive heat, explosion, or leak of electrolyte.
13. If the tool is not used for a long period of time, the battery must be removed from the tool.
14. During and after use, the battery cartridge may take on heat which can cause burns or low temperature burns. Pay attention to the handling of hot battery cartridges.
15. Do not touch the terminal of the tool immediately after use as it may get hot enough to cause burns.
16. Do not allow chips, dust, or soil stuck into the terminals, holes, and grooves of the battery cartridge. It may cause heating, catching fire, burst and malfunction of the tool or battery cartridge, resulting in burns or personal injury.
17. Unless the tool supports the use near high-voltage electrical power lines, do not use the battery cartridge near a high-voltage electrical power lines. It may result in a malfunction or breakdown of the tool or battery cartridge.
18. Keep the battery away from children.

## SAVE THESE INSTRUCTIONS.

**⚠ CAUTION:** Only use genuine Makita batteries. Use of non-genuine Makita batteries, or batteries that have been altered, may result in the battery bursting causing fires, personal injury and damage. It will also void the Makita warranty for the Makita tool and charger.

## Tips for maintaining maximum battery life

1. Charge the battery cartridge before completely discharged. Always stop tool operation and charge the battery cartridge when you notice less tool power.
2. Never recharge a fully charged battery cartridge. Overcharging shortens the battery service life.
3. Charge the battery cartridge with room temperature at 10 °C - 40 °C (50 °F - 104 °F). Let a hot battery cartridge cool down before charging it.
4. When not using the battery cartridge, remove it from the tool or the charger.
5. Charge the battery cartridge if you do not use it for a long period (more than six months).

# FUNCTIONAL DESCRIPTION

**CAUTION:** Always be sure that the tool is switched off and the battery cartridge is removed before adjusting or checking function on the tool.

**CAUTION:** Take care not to trap finger(s) between cleaner and battery as shown in diagram when loading battery. Trapping finger(s) may cause injury.

► Fig.1

## Installing or removing battery cartridge

**CAUTION:** Always switch off the tool before installing or removing of the battery cartridge.

**CAUTION:** Hold the tool and the battery cartridge firmly when installing or removing battery cartridge. Failure to hold the tool and the battery cartridge firmly may cause them to slip off your hands and result in damage to the tool and battery cartridge and a personal injury.

► Fig.2: 1. Red indicator 2. Button 3. Battery cartridge

To remove the battery cartridge, slide it from the tool while sliding the button on the front of the cartridge.

To install the battery cartridge, align the tongue on the battery cartridge with the groove in the housing and slip it into place. Insert it all the way until it locks in place with a little click. If you can see the red indicator as shown in the figure, it is not locked completely.

**CAUTION:** Always install the battery cartridge fully until the red indicator cannot be seen. If not, it may accidentally fall out of the tool, causing injury to you or someone around you.

**CAUTION:** Do not install the battery cartridge forcibly. If the cartridge does not slide in easily, it is not being inserted correctly.

## Battery protection system

The tool is equipped with a tool/battery protection system. This system automatically cuts off power to the motor to extend tool and battery life. The tool will automatically stop during operation if the tool or battery is placed under one of the following conditions.

### Overloaded:

The tool/battery is operated in a manner that causes it to draw an abnormally high current. In this situation, turn the tool off and stop the application that caused the tool to become overloaded. Then turn the tool on to restart.

If the tool does not start, the tool/battery is overheated. In this situation, let the tool/battery cool before turning the tool on again.

### Low battery voltage:

The remaining battery capacity is too low and the tool will not operate. In this situation, remove and recharge the battery.

## Protections against other causes:

Protection system is also designed for other causes that could damage the tool and allows the tool to stop automatically. Take all the following steps to clear the causes, when the tool has been brought to a temporary halt or stop in operation.

1. Turn the tool off, and then turn it on again to restart.
2. Charge the battery(ies) or replace it/them with recharged battery(ies).
3. Let the tool and battery(ies) cool down.

If no improvement can be found by restoring protection system, then contact your local Makita Service Center.

## Indicating the remaining battery capacity

Press the check button on the battery cartridge to indicate the remaining battery capacity. The indicator lamps light up for a few seconds.

► Fig.3: 1. Indicator lamps 2. Check button

Indicator lamps			Remaining capacity
Lighted	Off	Blinking	
■ ■ ■ ■			75% to 100%
■ ■ ■ □			50% to 75%
■ ■ □ □			25% to 50%
■ □ □ □			0% to 25%
▣ □ □ □			Charge the battery.
■ ■ □ □			The battery may have malfunctioned.
□ □ ■ ■			

**NOTE:** Depending on the conditions of use and the ambient temperature, the indication may differ slightly from the actual capacity.

**NOTE:** The first (far left) indicator lamp will blink when the battery protection system works.

## Switch action

► Fig.4: 1. Suction power change button 2. ON/OFF button

To start the cleaner, simply push the ON/OFF button. To switch off, push the ON/OFF button again.

You can change the suction power of the cleaner in four steps by pushing the suction power change button. Each push on this button repeats the Quiet/Normal/High/Max mode in a cycle.

Level	Indication	Mode
1	☰	Quiet mode
2	☷	Normal speed mode
3	☶	High speed mode
4	☵	Max speed mode

**NOTE:** You can change the suction power before turning on the cleaner.

**NOTE:** The cleaner starts the operation with the same suction power as the last operation.

## Lighting up the lamp

**CAUTION:** Do not look in the light or see the source of light directly.

To turn on the lamp, push the suction power change button. The lamp goes off in approximately 10 seconds. While the cleaner is running, the lamp turns on. The lamp goes out approximately 10 seconds after stopping operation.

**NOTE:** When the remaining battery capacity gets low, the lamp starts blinking. The timing, at which the lamp starts blinking depends on the temperature at work place and the battery cartridge conditions.

► **Fig.5:** 1. Suction power change button 2. ON/OFF button 3. Lamp

## PARTS DESCRIPTION

### Country specific

► Fig.6

1	250 mL dust case (Optional accessory)	2	400 mL dust case (Optional accessory)	3	Mesh filter	4	Cyclone body
5	High performance filter (Filter frame in gray color) (Optional accessory)	6	HEPA filter (Filter frame in white color) (Optional accessory)	7	Sponge sheet	8	Cleaner body
9	Hand strap (Country specific)	-	-	-	-	-	-

## ASSEMBLY

**CAUTION:** Always be sure that the tool is switched off and the battery cartridge is removed before carrying out any work on the tool.

**NOTICE:** Make sure all the attachments and components are secured in place properly before use.

### Installing and removing cleaner attachments

**CAUTION:** After installing attachments, check if they are securely installed. If the attachments are installed imperfectly, they may come off and cause personal injury.

**CAUTION:** Be careful not to hit your hand on the wall etc. when removing the attachments.

### When using attachment with lock function

To install attachment, insert it to the suction inlet of the cleaner until it clicks. Make sure that the attachment is locked.

► **Fig.7:** 1. Suction inlet 2. Attachment with lock function 3. Hook

**NOTICE:** When installing the attachment with lock function, be sure to align the release button on the cleaner with the hook on the attachment. If they are not aligned, the attachment will not be locked and may come off from the cleaner.

To remove attachment, pull it off the cleaner while pressing and holding the arms of the release button.

► **Fig.8:** 1. Release button 2. Arm of release button 3. Attachment with lock function 4. Suction inlet

### When using attachment without lock function

**NOTICE:** To install attachment without lock function, insert it into the suction inlet of the cleaner by twisting it as shown in the figure. To detach attachment, release it from the cleaner by twisting it as shown in the figure. Avoid twisting the attachment in the direction opposite to the arrow in the figure as it may loosen the cyclone unit.

► **Fig.9**

# OPERATION

**CAUTION:** Do not move your face close to the air vent when operating the cleaner. If foreign objects are blown into eyes, it may result in personal injury.

**NOTICE:** Avoid using the cleaner in a horizontal or upward facing position. It may otherwise cause the mesh filter to become clogged.

**NOTICE:** Always use the cleaner with filters installed. Using the cleaner without filters may result in a motor malfunction.

**NOTICE:** Empty the dust case in the cyclone unit when dust has accumulated. Continued use will result in weakened suction force.

The cyclone unit helps reduce the amount of dust that enters into the cleaner, enhancing the suction performance with simple and easy dust disposing.

## Cleaning (Suction)

### Nozzle

*With 250 mL dust case only*

Attach the nozzle to clean off tables, desks, furniture, etc. The nozzle slips on easily.

► Fig.10: 1. Nozzle

### Nozzle + Extension wand (Straight pipe)

The extension wand fits in between the nozzle and the cleaner itself. This arrangement is convenient for cleaning a floor in a standing position.

► Fig.11: 1. Cleaner body 2. Extension wand  
3. Nozzle

### Corner nozzle

Fit on the corner nozzle for cleaning corners and crevices of a car or furniture.

► Fig.12: 1. Corner nozzle 2. Cleaner body

You can store the corner nozzle in the nozzle holder.

► Fig.13: 1. Nozzle holder 2. Corner nozzle

**CAUTION:** Be careful not to trap finger(s) between the corner nozzle and the nozzle holder. Trapping finger(s) may cause injury.

### Corner nozzle + Extension wand (Straight pipe)

In tight quarters where the cleaner itself cannot squeeze in, or in high places hard to reach, use this arrangement.

► Fig.14: 1. Corner nozzle 2. Extension wand  
3. Cleaner body

## Cleaning without nozzle

*With 250 mL dust case only*

You can pick up powder and dust without nozzle.

► Fig.15

For picking up dust on a floor in a standing position, it is convenient to attach the extension wand (straight pipe) to the cleaner.

► Fig.16: 1. Extension wand

## Disposing of dust

**CAUTION:** Empty the dust case before it becomes too full, or the suction force weakens.

**CAUTION:** Be careful not to trap finger(s) between the dust case and cyclone body when reassembling.

Dispose of accumulated dust as follows before it exceeds the dust disposal line.

1. Point the cleaner head downwards, hold the dust case firmly, and then pull it apart from the cyclone body while pressing and holding the release buttons on both sides of the dust case.

► Fig.17: 1. Dust disposal line 2. Dust case

3. Release buttons 4. Mesh filter

2. Empty the dust case and clean the adhered dust off the mesh filter.

► Fig.18

3. Place the dust case back onto the cyclone body to secure it in place with clicks.

► Fig.19: 1. Dust case 2. Release buttons 3. Cyclone body

**CAUTION:** The dust may fly up when disposed out of the dust case. Be careful not to let the dust get into your eyes.

**NOTICE:** When the dust case becomes dirty, remove and wash it with water. Dry the dust case thoroughly before reassembly and use.

**NOTICE:** Make sure all the attachments and components are secured in place properly before use.

**NOTICE:** If the suction force does not recover even after disposing of the dust and cleaning the mesh filter, check whether dust has accumulated inside the cyclone body or clogging has occurred.

## MAINTENANCE

**CAUTION:** Always be sure that the tool is switched off and the battery cartridge is removed before attempting to perform inspection or maintenance.

**NOTICE:** Never use gasoline, benzine, thinner, alcohol or the like. Discoloration, deformation or cracks may result.

To maintain product SAFETY and RELIABILITY, repairs, any other maintenance or adjustment should be performed by Makita Authorized or Factory Service Centers, always using Makita replacement parts.

## After use

**CAUTION:** Putting the cleaner against the wall without any other support may cause the cleaner to fall down, resulting in personal injury or damage to the cleaner.

► Fig.20

## Regular maintenance

**NOTICE:** Clean the filters in the cyclone unit when they become clogged. Continued use in the clogged condition may result in heating or motor malfunction.

**NOTICE:** Do not blow dust sticking on the cleaner and filters by air duster. It brings dust into the housing and causes failure.

Routine maintenance is required to restore normal operating conditions.

## Cleaner body

Wipe off the outside (cleaner body) of the cleaner using a cloth dampened in soapy water, and clean out the suction openings.

► Fig.21

## Cyclone unit and filters

**NOTICE:** Dust off and clean out inside the cyclone unit and filters, when suction performance becomes less effective regardless of the amount of dust collected in the dust case.

**NOTICE:** After washing filters, dry them thoroughly before use. Insufficiently dried filters may cause poor suction and shorten the service life of the motor.

**NOTICE:** After cleaning filters and sponge sheet, be sure to re-install them before use. If you use the cleaner without filters and sponge sheet, dust comes into the motor housing and causes malfunction.

## Cyclone unit

1. Tap the cyclone unit several times with your hand to remove dust adhering to the inner surface of the cyclone unit and filter.

► Fig.22: 1. Cyclone unit

2. With the suction inlet pointing downwards, turn the cyclone unit as shown in the figure aligning the pointer on the cyclone unit with that on the cleaner body to disengage the lock. Then detach the cyclone unit from the cleaner body slowly and straightly.

► Fig.23: 1. Cyclone unit 2. Suction inlet 3. Pointers 4. Filter

**NOTE:** Dust may fly out when the cyclone unit is disassembled. It is recommended to place a garbage bag underneath the cyclone unit.

3. Dust off inside the cyclone unit and filter.

► Fig.24

4. Place the cyclone unit back onto the cleaner body, aligning the pointer on the cyclone unit with that on the cleaner body. Then turn the cyclone unit as shown in the figure until it is secured in place.

► Fig.25: 1. Cyclone unit 2. Cleaner body 3. Pointers

## High performance filter

### Optional accessory

1. Disassemble the cyclone unit from the cleaner body.

2. Hold the mounting end of high performance filter and pull it apart from the cleaner body.

► Fig.26: 1. High performance filter 2. Cleaner body

3. Wipe and shake dust off the high performance filter by hand.

► Fig.27

4. Wash the high performance filter in soapy water when it is clogged with dust and dirt. Dry it out thoroughly in the shade before use.

► Fig.28

**NOTE:** Avoid fastening the attachment end (rubber sealing ring) of high performance filter when hanging it up for drying.

5. Hold the mounting end of high performance filter and squeeze it back into the cleaner body.

► Fig.29: 1. High performance filter 2. Cleaner body

## HEPA filter

### Optional accessory

**NOTICE:** Do not rub or scratch the HEPA filter with hard objects such as a brush and a paddle.

1. Disassemble the cyclone unit from the cleaner body.

2. Hold the mounting end of HEPA filter (covered with high performance prefilter) and pull it apart from the cleaner body.

► Fig.30: 1. HEPA filter (covered with high performance prefilter) 2. Cleaner body

3. Disassemble the high performance prefilter from the HEPA filter by hand twisting.

► Fig.31: 1. High performance prefilter 2. HEPA filter

4. Wipe and shake dust off the high performance prefilter and HEPA filter by hand.

► Fig.32

5. Wash the high performance prefilter and HEPA filter in soapy water. Rinse and dry them thoroughly in the shade before use.

► Fig.33

**NOTE:** Avoid fastening the attachment end (rubber sealing ring) of HEPA filter when hanging it up for drying.

6. Attach the high performance prefilter onto the HEPA filter.

► Fig.34: 1. High performance prefilter 2. HEPA filter

7. Hold the mounting end of HEPA filter (covered with high performance prefilter) and squeeze it back into the cleaner body.

► Fig.35: 1. HEPA filter (covered with the high performance prefilter) 2. Cleaner body



## Sponge sheet

1. Disassemble the cyclone unit from the cleaner body.  
▶ **Fig.36:** 1. Filter 2. Cleaner body
2. Hold the mounting end of filter and pull it apart from the cleaner body.  
▶ **Fig.37:** 1. Sponge sheet 2. Suction opening
3. Pull the sponge sheet off from the suction opening.  
▶ **Fig.37:** 1. Sponge sheet 2. Suction opening
4. Wipe and shake dust off the sponge sheet by hand.  
▶ **Fig.38**
5. Wash the sponge sheet in soapy water when it is clogged with dust and dirt. Dry it out thoroughly in the shade before use.  
▶ **Fig.39**
6. Place the sponge sheet back in the original position. Make sure that the left and right edges of the sponge sheet are secured with stoppers and no gap between the sponge sheet and suction opening.  
▶ **Fig.40:** 1. Sponge sheet 2. Stopper 3. Suction opening
7. Hold the mounting end of filter and squeeze it back into the cleaner body.  
▶ **Fig.41:** 1. Filter 2. Cleaner body

## Condition-based maintenance

**NOTICE:** Clean the mesh filter in the cyclone unit when they become clogged. Continued use in the clogged condition may result in heating or motor malfunction.

Deep and spot cleaning needs to be carried out according to your tool performance.

## Mesh filter

Clean up the mesh filter placed in the cyclone unit when no suggested improvement on suction performance has been found after completing regular maintenance.

1. Hold the dust case firmly and pull it apart from the cyclone body while pressing and holding the release buttons on both sides of the dust case.  
▶ **Fig.42:** 1. Dust case 2. Cyclone body 3. Release buttons
2. Turn the mesh filter as shown in the figure to disengage the lock. Then detach it from the cyclone body.  
▶ **Fig.43:** 1. Mesh filter
3. Disassemble the mesh filter into three components: prefilter, tubular sponge filter and mesh pipe.
  - i Squeeze the guide stoppers on top of the mesh pipe together.
  - ii Pass the guide stoppers down through the guide hole on top of the prefilter.
  - iii Pull the the prefilter along the tubular sponge filter and mesh pipe.
  - iv Remove the tubular sponge filter from the mesh pipe.  
▶ **Fig.44:** 1. Prefilter 2. Tubular sponge filter 3. Mesh pipe 4. Guide stoppers 5. Guide hole

4. Wipe and shake dust off the filters and mesh pipe by hand.  
▶ **Fig.45**
5. Wash the filters and mesh pipe in soapy water when they are clogged with dust and dirt. Dry them out thoroughly in the shade before use.  
▶ **Fig.46**
6. Reassemble the mesh filter.
  - i Insert the tubular sponge filter into the prefilter.
  - ii Insert the mesh pipe into the tubular sponge filter and prefilter, passing the guide stoppers on top of the mesh pipe through the guide hole on top of the prefilter.
  - iii Push the mesh pipe through the tubular sponge filter and prefilter until it lock in place with a click.  
▶ **Fig.47:** 1. Prefilter 2. Tubular sponge filter 3. Mesh pipe 4. Guide stoppers 5. Guide hole
7. Attach the mesh filter back into the cyclone body aligning the hooks on the mesh filter with the ports on the suction outlet of the cyclone body. Turn the mesh filter as shown in the figure until the hooks are locked with a click. Make sure that the mesh filter is installed securely.  
▶ **Fig.48:** 1. Mesh filter 2. Cyclone body 3. Hook 4. Port

## Air channels in cyclone unit

Incoming foreign substance may block the air channels in the cyclone unit and laden air flows. Remove any obstacles in the air path if the suction performance is being affected remarkably.

1. Disassemble the cyclone unit into three components: dust case, mesh filter and cyclone body.  
▶ **Fig.49:** 1. Dust case 2. Mesh filter 3. Cyclone body 4. Cleaner body
2. Press and hold the guide stopper on the inlet pipe down through the locking hole on the cyclone body using the hand tool with a point. Then detach the inlet pipe from the cyclone body.  
▶ **Fig.50:** 1. Inlet pipe 2. Guide stopper 3. Cyclone body 4. Locking hole
3. Clean off any substance found in the air channels. Foreign substance is likely to get stuck around an incoming air port.  
▶ **Fig.51:** 1. Suction inlet 2. Incoming air port
4. Insert the inlet pipe back in place until it is securely locked.  
▶ **Fig.52:** 1. Inlet pipe 2. Cyclone body 3. O-ring 4. Flap valve

**NOTICE:** Be sure that the O-ring and flap valve are securely in place before reassembly. Suction performance can be affected if the cyclone unit is operated without the O-ring and flap valve in place.

5. Reassemble the cyclone unit, and attach it onto the cleaner body.

## Troubleshooting

Before asking for repairs, check the following points.

Symptom	Area to be investigated	Fixing method
Weak suction power	Is dust case or inside cyclone unit full of dust?	Empty dust case or inside cyclone unit.
	Are filters clogged?	Dust down or wash high performance filter/HEPA filter/sponge sheet/mesh filter.
	Anything to block incoming air channels?	Clean any dust and objects out of air openings and channels.
	Is battery cartridge discharged?	Charge battery cartridge.
Not working	Is battery cartridge discharged?	Charge battery cartridge.
Noise and vibration	Are filters clogged?	Dust down or wash high performance filter/HEPA filter/sponge sheet/mesh filter.
	Anything to block openings or holes?	Clean any dust and objects out of nozzles, pipes and air openings.
	Is suction inlet of nozzle or pipe closed?	Uncover and open suction inlet of nozzle and pipe.

**⚠ CAUTION: Do not attempt to repair the cleaner by yourself.**

## OPTIONAL ACCESSORIES

**⚠ CAUTION: These accessories or attachments are recommended for use with your Makita tool specified in this manual.** The use of any other accessories or attachments might present a risk of injury to persons. Only use accessory or attachment for its stated purpose.

If you need any assistance for more details regarding these accessories, ask your local Makita Service Center.

- Extension wand (Straight pipe)
- Nozzle
- Nozzle for carpet
- Shelf brush
- Corner nozzle
- Round brush
- Flexible hose
- High performance filter
- HEPA filter
- Seat nozzle
- Crevice nozzle
- Tool bag
- Makita genuine battery and charger

**NOTE:** Some items in the list may be included in the tool package as standard accessories. They may differ from country to country.

## AVERTISSEMENT

- Cet appareil peut être utilisé par des enfants de 8 ans et plus, ainsi que par des personnes aux facultés physiques, sensorielles ou mentales diminuées ou sans expérience ni expertise sous la surveillance d'un adulte ou s'ils ont reçu des instructions concernant l'utilisation en toute sécurité de l'appareil et s'ils comprennent les risques encourus.
- Ne laissez pas les enfants jouer avec l'appareil. Le nettoyage et l'entretien à la charge de l'utilisateur ne doivent pas être réalisés par des enfants sans surveillance.
- Voir le chapitre « SPÉCIFICATIONS » pour la désignation de la batterie.
- Voir la section « Insertion ou retrait de la batterie » pour la méthode de retrait ou d'insertion de la batterie.
- Une fois la batterie arrivée en fin de vie, retirez-la de l'outil et déposez-la en lieu sûr. Respectez la réglementation locale en matière de mise au rebut des batteries.
- Lorsque vous n'utilisez pas l'outil pendant une période prolongée, la batterie doit être retirée de l'outil.
- Ne court-circuitez pas la batterie.
- Voir le chapitre « ENTRETIEN » pour des précautions détaillées pendant l'entretien à la charge de l'utilisateur.

## SPÉCIFICATIONS

<b>Modèle :</b>		<b>CL003G</b>
Capacité		250 ml / 400 ml (propre au pays)
Utilisation continue (avec batterie BL4025)	1 (Mode silencieux)	Environ 80 minutes
	2 (Mode vitesse normale)	Environ 40 minutes
	3 (Mode grande vitesse)	Environ 25 minutes
	4 (Mode vitesse maximum)	Environ 16 minutes
Longueur totale (avec tuyau, suceur et batterie BL4025)		1 106 mm
Tension nominale		C.C. 36 V - 40 V max.
Poids net		1,9 - 2,6 kg

- Étant donné l'évolution constante de notre programme de recherche et de développement, les spécifications contenues dans ce manuel sont sujettes à modification sans préavis.
- Les spécifications peuvent varier suivant les pays.
- Le poids ne comprend pas les accessoires, mais la ou les batteries. Le poids combiné le plus léger et le plus lourd de l'appareil et de la ou des batteries est indiqué dans le tableau.

### Batterie et chargeur applicables

Batterie	BL4020* / BL4025* / BL4040* / BL4050F * : Batterie recommandée
Chargeur	DC40RA / DC40RB / DC40RC

- Certains chargeurs et batteries répertoriés ci-dessus peuvent ne pas être disponibles selon la région où vous résidez.

**⚠ AVERTISSEMENT : N'utilisez que les batteries et les chargeurs répertoriés ci-dessus.** L'utilisation d'autres batteries et chargeurs peut provoquer des blessures et/ou un incendie.

## Symboles

Vous trouverez ci-dessous les symboles susceptibles d'être utilisés pour l'appareil. Veuillez à comprendre leur signification avant toute utilisation.



Lire le mode d'emploi.



Représentation d'une batterie utilisable avec ce produit.



Pour les pays de l'Union européenne uniquement  
En raison de la présence de composants dangereux dans l'équipement, les déchets d'équipements électriques et électroniques, les accumulateurs et les batteries peuvent avoir un impact négatif sur l'environnement et la santé humaine.  
Ne jetez pas les appareils électriques et électroniques ou les batteries avec les ordures ménagères !  
Conformément à la directive européenne relative aux déchets d'équipements électriques et électroniques et aux déchets d'accumulateurs et de batteries, ainsi qu'à son adaptation à la législation nationale, les déchets d'équipements électriques, les batteries et les accumulateurs doivent être collectés séparément et déposés dans un point de collecte distinct pour déchets urbains, conformément aux réglementations en matière de protection de l'environnement. Cela est indiqué par le symbole de la poubelle à roulettes barrée sur l'équipement.

## Utilisations

L'outil est conçu pour la collecte des poussières sèches.

## CONSIGNES DE SÉCURITÉ

### Consignes de sécurité pour aspirateur sans fil

**⚠️ AVERTISSEMENT : IMPORTANT ! LIRE ATTENTIVEMENT toutes les consignes de sécurité et toutes les instructions AVANT UTILISATION.** Le non-respect des avertissements et des instructions peut entraîner une électrocution, un incendie et/ou de graves blessures.

1. **Ne pas exposer à la pluie. Ranger à l'intérieur.**
2. **Ne pas laisser utiliser comme jouet. Une surveillance étroite est requise lors de l'utilisation par un enfant ou près d'un enfant.**
3. **Utiliser uniquement de la façon décrite dans ce manuel. Utiliser uniquement les accessoires recommandés par le fabricant.**
4. **Ne pas utiliser avec une batterie endommagée. Si l'appareil ne fonctionne pas comme il devrait, s'il est tombé, s'il a été endommagé, laissé à l'extérieur ou s'il est tombé dans l'eau, le renvoyer à un centre de service après-vente.**

5. **Ne pas manipuler l'appareil avec les mains mouillées.**
6. **N'insérer aucun objet dans les ouvertures. Ne pas utiliser si l'une des ouvertures est bloquée ; toujours enlever les poussières, peluches, cheveux et autres corps étrangers pouvant affecter la circulation de l'air.**
7. **Garder les cheveux, vêtements amples, doigts et toute autre partie du corps à l'écart des ouvertures et des pièces en mouvement.**
8. **Désactiver toutes les commandes avant de retirer la batterie.**
9. **Redoubler de prudence lorsque l'on passe l'aspirateur dans un escalier.**
10. **Ne pas utiliser pour collecter des liquides inflammables ou combustibles tels que l'essence, ou dans des zones où de tels liquides peuvent être présents.**
11. **Pour charger la batterie, utiliser uniquement le chargeur fourni par le fabricant.**
12. **Ne collecter aucune substance enflammée ou qui dégage de la fumée, telles que cigarettes, allumettes ou cendres chaudes.**
13. **Ne pas utiliser sans avoir posé le sac à poussière et/ou les filtres.**
14. **Ne pas charger la batterie à l'extérieur.**
15. **Recharger la batterie uniquement avec le chargeur spécifié par le fabricant.** Un chargeur prévu pour un type de batterie peut être à l'origine d'un incendie s'il est utilisé avec une autre batterie.
16. **Utilisez un appareil uniquement avec la batterie spécifiquement indiquée.** L'utilisation de toute autre batterie peut présenter un risque de blessure et d'incendie.
17. **Lorsque la batterie n'est pas utilisée, la tenir à l'écart des objets métalliques, comme des trombones, pièces de monnaie, clés, clous, vis ou autres petits objets métalliques, susceptibles de créer une connexion entre deux bornes.**
18. **Dans des conditions d'utilisation inadéquate, il peut y avoir une fuite de l'électrolyte de la batterie. Le cas échéant, éviter tout contact avec ce liquide. En cas de contact accidentel, rincer à l'eau.**
19. **N'utilisez pas une batterie ou un appareil endommagé ou modifié.** Une batterie endommagée ou modifiée peut avoir un comportement imprévisible susceptible d'entraîner un incendie, une explosion ou des blessures.
20. **N'exposez pas la batterie ou l'appareil au feu ou à une température excessive.** L'exposition au feu ou à une température supérieure à 130 °C peut provoquer une explosion.
21. **Respectez toutes les instructions de charge et ne chargez pas la batterie ou l'appareil en dehors de la plage de température indiquée dans les instructions.** Une charge incorrecte ou à une température en dehors de la plage indiquée peut endommager la batterie et augmenter le risque d'incendie.

## CONSERVEZ CES INSTRUCTIONS.

## CONSIGNES DE SÉCURITÉ ADDITIONNELLES

Cet appareil est conçu pour l'utilisation à l'intérieur.

1. Lire attentivement ce manuel d'instructions et celui du chargeur avant l'utilisation.
2. Ne pas collecter les matériaux suivants :
  - Matériaux chauds tels que cigarettes allumées, étincelles ou poussières de métal générées par le meulage ou la coupe du métal
  - Matériaux inflammables tels que l'essence, les diluants, la benzine, le kérosène et la peinture
  - Matériaux explosifs tels que la nitroglycérine
  - Matériaux inflammables tels que l'aluminium, le zinc, le magnésium, le titane, le phosphore ou le celluloid
  - Saletés mouillées, eau, huile, etc.
  - Pièces dures à bords tranchants, telles que copeaux de bois, pièces de métal, pierres, verres, clous, broches ou lames de rasoir
  - Poudres agglomérantes telles que ciment en poudre ou encre en poudre
  - Poussière conductrice telle que poussière de métal ou de carbone
  - Particules fines telles que la poussière de béton

La collecte de tels matériaux peut entraîner un incendie, des dommages corporels et/ou matériels.

3. Cesser immédiatement l'utilisation en cas d'anomalie.
4. Si l'aspirateur tombe ou est heurté, vérifier attentivement l'absence de fissures ou de dommages avant l'utilisation.
5. Ne pas approcher des fourneaux ou autres sources de chaleur.
6. Ne pas bloquer les orifices d'entrée ou de sortie d'air.

## CONSERVEZ CES INSTRUCTIONS.

### Consignes de sécurité importantes pour la batterie

1. Avant d'utiliser la batterie, lisez toutes les instructions et précautions relatives (1) au chargeur de batterie, (2) à la batterie, et (3) au produit utilisant la batterie.
2. Ne désassemblez pas et ne modifiez pas la batterie. Cela pourrait entraîner un incendie, une chaleur excessive ou une explosion.
3. Cessez immédiatement l'utilisation si le temps de fonctionnement devient excessivement court. Il y a risque de surchauffe, de brûlures, voire d'explosion.

4. Si l'électrolyte pénètre dans vos yeux, rincez-les à l'eau claire et consultez immédiatement un médecin. Il y a risque de perte de la vue.
5. Ne court-circuitez pas la batterie :
  - (1) Ne touchez les bornes avec aucun matériau conducteur.
  - (2) Évitez de ranger la batterie dans un conteneur avec d'autres objets métalliques, par exemple des clous, des pièces de monnaie, etc.
  - (3) N'exposez pas la batterie à l'eau ou à la pluie.

Un court-circuit de la batterie peut provoquer une intensité de courant élevée, une surchauffe, parfois des brûlures et même une panne.
6. Ne rangez ni n'utilisez l'outil et la batterie dans un endroit où la température risque d'atteindre ou de dépasser 50 °C.
7. Ne jetez pas la batterie au feu même si elle est sérieusement endommagée ou complètement épuisée. La batterie peut exploser au contact du feu.
8. Abstenez-vous de clouer, couper, écraser, jeter, laisser tomber la batterie, ou de la heurter contre un objet dur. Cela pourrait entraîner un incendie, une chaleur excessive ou une explosion.
9. N'utilisez pas la batterie si elle est endommagée.
10. Les batteries au lithium-ion contenues sont soumises aux exigences de la législation sur les marchandises dangereuses.

Lors du transport commercial par des tierces parties ou des transitaires par exemple, des exigences spécifiques en matière d'étiquetage et d'emballage doivent être respectées.

Pour la préparation de l'article expédié, il est nécessaire de consulter un expert en matériau dangereux. Veuillez également respecter les réglementations nationales susceptibles d'être plus détaillées.

Recouvrez les contacts exposés avec du ruban adhésif ou du ruban de masquage et emballez la batterie de telle sorte qu'elle ne puisse pas bouger dans l'emballage.
11. Lors de la mise au rebut de la batterie, retirez-la de l'outil et jetez-la en lieu sûr. Suivez les réglementations locales en matière de mise au rebut des batteries.
12. Utilisez les batteries uniquement avec les produits spécifiés par Makita. L'insertion de batteries dans des produits non conformes peut provoquer un incendie, une chaleur excessive, une explosion ou une fuite de l'électrolyte.
13. Lorsque vous n'utilisez pas l'outil pendant une période prolongée, la batterie doit être retirée de l'outil.
14. Pendant et après l'utilisation, la batterie peut chauffer, ce qui peut entraîner des brûlures, y compris en cas de température relativement basse. Manipulez les batteries chaudes avec précaution.

15. **Ne touchez pas la borne de l'outil immédiatement après utilisation car elle peut être assez chaude pour provoquer des brûlures.**
16. **Évitez que des copeaux, de la poussière ou du sol adhèrent aux bornes, aux trous et aux rainures de la batterie.** Cela peut provoquer un échauffement, un incendie, une explosion ou un dysfonctionnement de l'outil ou de la batterie, ce qui peut entraîner des brûlures ou des blessures.
17. **À moins que l'outil prenne en charge un tel usage, n'utilisez pas la batterie à proximité de lignes électriques haute tension.** Cela pourrait entraîner un dysfonctionnement ou casser l'outil ou la batterie.
18. **Conservez la batterie hors de portée des enfants.**

## CONSERVEZ CES INSTRUCTIONS.

**ATTENTION :** N'utilisez que des batteries Makita d'origine. L'utilisation de batteries de marque autre que Makita ou de batteries modifiées peut provoquer l'explosion des batteries, ce qui présente un risque d'incendie, de dommages matériels et corporels. Cela annulera également la garantie Makita pour l'outil et le chargeur Makita.

## Conseils pour assurer la durée de vie optimale de la batterie

1. **Chargez la batterie avant qu'elle ne soit complètement déchargée. Arrêtez toujours l'outil et rechargez la batterie quand vous remarquez que la puissance de l'outil diminue.**
2. **Ne rechargez jamais une batterie complètement chargée. La surcharge réduit la durée de service de la batterie.**
3. **Chargez la batterie à une température ambiante comprise entre 10 °C et 40 °C. Avant de charger une batterie chaude, laissez-la refroidir.**
4. **Lorsque vous n'utilisez pas la batterie, retirez-la de l'outil ou du chargeur.**
5. **Rechargez la batterie si elle est restée inutilisée pendant une période prolongée (plus de six mois).**

## DESCRIPTION DU FONCTIONNEMENT

**ATTENTION :** Assurez-vous toujours que l'outil est hors tension et que sa batterie est retirée avant de l'ajuster ou de vérifier son fonctionnement.

**ATTENTION :** Lors de la mise en place de la batterie, prenez garde de ne pas vous coincer les doigts entre l'aspirateur et la batterie, tel qu'illustré sur le schéma. Il y a un risque de blessure si vous vous coincez les doigts.

► Fig.1

## Insertion ou retrait de la batterie

**ATTENTION :** Éteignez toujours l'outil avant de mettre en place ou de retirer la batterie.

**ATTENTION :** Tenez fermement l'outil et la batterie lors de la mise en place ou du retrait de la batterie. Si vous ne tenez pas fermement l'outil et la batterie, ils peuvent vous glisser des mains, et s'abîmer ou vous blesser.

► Fig.2: 1. Indicateur rouge 2. Bouton 3. Batterie

Pour retirer la batterie, faites-la glisser hors de l'outil tout en faisant glisser le bouton à l'avant de la batterie.

Pour mettre la batterie en place, alignez la languette de la batterie avec la rainure du compartiment puis insérez la batterie. Insérez-la entièrement jusqu'à entendre un léger déclic indiquant qu'elle est bien en place. Si vous pouvez voir l'indicateur rouge comme illustré sur la figure, c'est qu'elle n'est pas bien verrouillée.

**ATTENTION :** Insérez toujours complètement la batterie jusqu'à ce que l'indicateur rouge ne soit plus visible. Sinon, elle pourrait tomber accidentellement de l'outil, au risque de vous blesser ou de blesser quelqu'un se trouvant près de vous.

**ATTENTION :** N'insérez pas la batterie de force. Si elle ne glisse pas facilement, c'est que vous ne l'insérez pas correctement.

## Système de protection de la batterie

L'outil est équipé d'un système de protection de l'outil/la batterie. Ce système coupe automatiquement l'alimentation vers le moteur pour prolonger la durée de vie de l'outil et de la batterie. Si l'outil ou la batterie se trouve dans l'une des situations suivantes, l'outil cessera automatiquement de fonctionner.

### Surcharge :

L'outil/la batterie est utilisé(e) de telle manière qu'il(elle) consomme un courant anormalement élevé.

Dans ce cas, éteignez l'outil et arrêtez la tâche ayant provoqué la surcharge de l'outil. Puis rallumez l'outil pour reprendre la tâche.

Si l'outil ne démarre pas, c'est que l'outil ou la batterie a surchauffé. Dans ce cas, laissez l'outil ou la batterie refroidir avant de rallumer l'outil.

### Faible tension de la batterie :

La capacité restante de la batterie est trop faible et l'outil ne fonctionne pas. Le cas échéant, retirez et rechargez la batterie.

### Protections contre d'autres causes :

Le système de protection est également conçu pour d'autres causes qui pourraient endommager l'outil et lui permet de s'arrêter automatiquement. Suivez toutes les étapes ci-dessous pour éliminer les causes, lorsque l'outil a été arrêté provisoirement ou a cessé de fonctionner.

1. Éteignez l'outil, puis rallumez-le pour le redémarrer.
2. Chargez la ou les batteries ou remplacez-les par des batteries rechargées.
3. Laissez l'outil et la ou les batteries refroidir.

En l'absence d'amélioration après avoir rétabli le système de protection, contactez votre centre de service Makita local.

## Indication de la charge restante de la batterie

Appuyez sur le bouton de vérification sur la batterie pour indiquer la charge restante de la batterie. Les témoins s'allument pendant quelques secondes.

► Fig.3: 1. Témoins 2. Bouton de vérification

Témoins			Charge restante
Allumé	Éteint	Clignotant	
			75 % à 100 %
			50 % à 75 %
			25 % à 50 %
			0 % à 25 %
			Chargez la batterie.
			Anomalie possible de la batterie.

**NOTE :** Selon les conditions d'utilisation et la température ambiante, l'indication peut être légèrement différente de la capacité réelle.

**NOTE :** Le premier témoin (complètement à gauche) clignotera pendant le fonctionnement du système de protection de la batterie.

## Fonctionnement de la gâchette

► Fig.4: 1. Bouton de changement de la puissance d'aspiration 2. Bouton Marche/Arrêt (ON/OFF)

Pour démarrer l'aspirateur, il suffit d'appuyer sur le bouton Marche/Arrêt (ON/OFF). Pour l'éteindre, appuyez de nouveau sur le bouton Marche/Arrêt (ON/OFF). Vous pouvez changer la puissance d'aspiration de l'aspirateur selon quatre niveaux en appuyant sur le bouton de changement de la puissance d'aspiration. Chaque pression sur ce bouton répète en cycle le mode Silencieux/Normal/Élevé/Max.

Niveau	Indication	Mode
1		Mode silencieux
2		Mode vitesse normale
3		Mode grande vitesse
4		Mode vitesse maximum

**NOTE :** Vous pouvez modifier la puissance d'aspiration avant de mettre sous tension l'aspirateur.

**NOTE :** L'aspirateur démarre avec la même puissance d'aspiration que lors de son dernier fonctionnement.

## Allumage de la lampe

**ATTENTION :** Évitez de regarder directement le faisceau lumineux ou sa source.

Pour allumer la lampe, appuyez sur le bouton de changement de la puissance d'aspiration. La lampe s'éteint au bout de 10 secondes environ.

La lampe s'allume pendant le fonctionnement de l'aspirateur.

La lampe s'éteint environ 10 secondes après l'arrêt du fonctionnement.

**NOTE :** Lorsque la charge restante de la batterie diminue, la lampe se met à clignoter. Le moment où la lampe se met à clignoter dépend de la température sur le lieu de travail et de l'état de la batterie.

► Fig.5: 1. Bouton de changement de la puissance d'aspiration 2. Bouton Marche/Arrêt (ON/OFF) 3. Lampe

# DESCRIPTION DES PIÈCES

Propre au pays

► Fig.6

1	Logement à poussières 250 ml (Accessoire en option)	2	Logement à poussières 400 ml (Accessoire en option)	3	Filtere à maille	4	Corps du cyclone
5	Filtere haute performance (Cadre du filtere gris) (Accessoire en option)	6	Filtere HEPA (Cadre du filtere blanc) (Accessoire en option)	7	Feuille-éponge	8	Corps de l'aspirateur
9	Dragonne (propre au pays)	-	-	-	-	-	-

## ASSEMBLAGE

**ATTENTION** : Assurez-vous toujours que l'outil est hors tension et que sa batterie est retirée avant d'effectuer toute tâche dessus.

**REMARQUE** : Assurez-vous que tous les accessoires et composants sont correctement fixés en place avant utilisation.

### Pose et dépose des accessoires de l'aspirateur

**ATTENTION** : Après avoir installé les accessoires, assurez-vous qu'ils sont solidement installés. Si les accessoires sont mal installés, ils risquent de se dégager et de provoquer des blessures.

**ATTENTION** : Prenez garde de ne pas vous cogner la main contre le mur ou autre lorsque vous retirez les accessoires.

### Lorsque vous utilisez un accessoire avec fonction de blocage

Pour installer l'accessoire, insérez-le dans l'entrée d'aspiration de l'aspirateur jusqu'au dé clic. Vérifiez que l'accessoire est verrouillé.

► Fig.7: 1. Entrée d'aspiration 2. Accessoire avec fonction de blocage 3. Crochet

**REMARQUE** : Lorsque vous installez un accessoire avec fonction de blocage, veillez à aligner le bouton de dégagement sur l'aspirateur avec le crochet sur l'accessoire. S'ils ne sont pas alignés, l'accessoire ne se verrouillera pas et pourra se détacher de l'aspirateur.

Pour retirer un accessoire, sortez-le de l'aspirateur tout en maintenant enfoncés les taquets du bouton de dégagement.

► Fig.8: 1. Bouton de dégagement 2. Taquet du bouton de dégagement 3. Accessoire avec fonction de blocage 4. Entrée d'aspiration

### Lorsque vous utilisez un accessoire sans fonction de blocage

**REMARQUE** : Pour installer un accessoire sans fonction de blocage, insérez-le dans l'entrée d'aspiration de l'aspirateur en le tournant comme illustré sur la figure. Pour retirer l'accessoire, dégagez-le de l'aspirateur en le tournant comme illustré sur la figure. Évitez de tourner l'accessoire dans le sens opposé à la flèche sur la figure sous peine de desserrer l'unité du cyclone.

► Fig.9

## UTILISATION

**ATTENTION** : N'approchez pas votre visage de l'orifice d'aération lorsque vous utilisez l'aspirateur. Si des corps étrangers sont soufflés dans les yeux, cela présente un risque de blessure.

**REMARQUE** : Évitez d'utiliser l'aspirateur à l'horizontale ou tourné vers le haut. Le filtre à maille pourrait se boucher.

**REMARQUE** : Utilisez toujours l'aspirateur avec les filtres installés. Si vous utilisez l'aspirateur sans filtres, un dysfonctionnement du moteur peut se produire.

**REMARQUE** : Videz le logement à poussières dans l'unité du cyclone en cas d'accumulation de la poussière. Si vous continuez à utiliser l'aspirateur dans cet état, la puissance d'aspiration sera affaiblie.

L'unité du cyclone permet de réduire la quantité de poussière qui pénètre dans l'aspirateur, ce qui améliore les performances d'aspiration grâce à une élimination simple et facile de la poussière.

### Nettoyage (aspiration)

#### Suceur

**Avec un logement à poussières 250 ml uniquement**

Fixez le suceur pour nettoyer les tables, bureaux, meubles, etc. Le suceur se glisse facilement en place.

► Fig.10: 1. Suceur



## Suceur + Tube prolongateur (tuyau droit)

Le tube prolongateur s'installe entre le suceur et l'aspirateur. Il permet de passer l'aspirateur sur le sol tout en se tenant debout.

► **Fig.11:** 1. Corps de l'aspirateur 2. Tube prolongateur 3. Suceur

## Suceur plat

Installez le suceur plat pour passer l'aspirateur dans les coins ou dans les interstices d'un véhicule ou d'un meuble.

► **Fig.12:** 1. Suceur plat 2. Corps de l'aspirateur

Vous pouvez ranger le suceur plat dans le porte-suceur.

► **Fig.13:** 1. Porte-suceur 2. Suceur plat

**⚠ATTENTION :** Prenez garde de ne pas vous coincer le(s) doigt(s) entre le suceur plat et le porte-suceur. Il y a risque de blessure si vous vous coinciez les doigts.

## Suceur plat + Tube prolongateur (tuyau droit)

Utilisez cette combinaison pour passer l'aspirateur dans les endroits exigus où l'aspirateur seul ne peut pas se faufiler ou dans les endroits élevés difficiles à atteindre.

► **Fig.14:** 1. Suceur plat 2. Tube prolongateur 3. Corps de l'aspirateur

## Nettoyage sans suceur

**Avec un logement à poussières 250 ml uniquement**

Le suceur n'est pas nécessaire pour aspirer de la poudre ou des poussières.

► **Fig.15**

Pour ramasser de la poussière au sol tout en se tenant debout, fixer le tube prolongateur (tuyau droit) à l'aspirateur se révèle pratique.

► **Fig.16:** 1. Tube prolongateur

## Mise au rebut des poussières

**⚠ATTENTION :** Videz l'aspirateur avant qu'il ne soit trop plein, autrement sa puissance d'aspiration sera moindre.

**⚠ATTENTION :** Faites attention de ne pas vous coincer le(s) doigt(s) entre le logement à poussières et le corps du cyclone lors du réassemblage.

Éliminez la poussière accumulée comme suit avant qu'elle ne dépasse la ligne d'élimination de la poussière.

1. Pointez la tête de l'aspirateur vers le bas, tenez fermement le logement à poussières, puis retirez-le du corps du cyclone tout en maintenant enfoncés les boutons de dégagement des deux côtés du logement à poussières.

► **Fig.17:** 1. Ligne d'élimination de la poussière 2. Logement à poussières 3. Boutons de dégagement 4. Filtre à maille

2. Videz le logement à poussières et nettoyez la poussière collée sur le filtre à maille.

► **Fig.18**

3. Remplacez le logement à poussières sur le corps du cyclone pour le fixer en place jusqu'au dé clic.

► **Fig.19:** 1. Logement à poussières 2. Boutons de dégagement 3. Corps du cyclone

**⚠ATTENTION :** La poussière peut voler lorsqu'elle est éliminée du logement à poussières. Faites attention de ne pas laisser la poussière entrer dans vos yeux.

**REMARQUE :** Lorsque le logement à poussières est sale, retirez-le et lavez-le à l'eau. Séchez soigneusement le logement à poussières avant le réassemblage et l'utilisation.

**REMARQUE :** Assurez-vous que tous les accessoires et composants sont correctement fixés en place avant utilisation.

**REMARQUE :** Si la puissance d'aspiration n'est pas rétablie même après avoir jeté la poussière et nettoyé le filtre à maille, vérifiez si la poussière ne s'est pas accumulée dans le corps du cyclone ou si ce dernier n'est pas bouché.

## ENTRETIEN

**⚠ATTENTION :** Assurez-vous toujours que l'outil est hors tension et que la batterie est retirée avant d'y effectuer tout travail d'inspection ou d'entretien.

**REMARQUE :** N'utilisez jamais d'essence, benzine, diluant, alcool ou autre produit similaire. Cela risquerait de provoquer la décoloration, la déformation ou la fissuration de l'outil.

Pour assurer la SÉCURITÉ et la FIABILITÉ du produit, toute réparation, tout travail d'entretien ou de réglage doivent être effectués par un centre de service après-vente Makita agréé ou un centre de service usine, avec des pièces de rechange Makita.

## Après l'utilisation

**⚠ATTENTION :** Si vous posez l'aspirateur contre le mur sans aucun autre soutien, il risque de tomber, ce qui peut blesser quelqu'un et l'endommager.

► **Fig.20**

## Entretien régulier

**REMARQUE :** Nettoyez les filtres de l'unité du cyclone lorsqu'ils sont obstrués. L'utilisation continue dans cet état peut provoquer une émission de chaleur ou un dysfonctionnement du moteur.

**REMARQUE :** Ne soufflez pas la poussière collée à l'aspirateur et aux filtres avec un dépoussiérant à air. Cela entraîne la poussière dans le carter et provoque des pannes.

Un entretien de routine est nécessaire pour rétablir les conditions de fonctionnement normales.

## Corps de l'aspirateur

Essayez la surface extérieure (le corps) de l'aspirateur avec un chiffon humecté d'eau savonneuse, puis nettoyez les ouvertures d'aspiration.

► Fig.21

## Unité du cyclone et filtres

**REMARQUE :** Dépoussiérez et nettoyez l'intérieur de l'unité du cyclone et des filtres lorsque les performances d'aspiration deviennent moins efficaces, quelle que soit la quantité de poussière accumulée dans le logement à poussières.

**REMARQUE :** Après avoir lavé les filtres, séchez-les soigneusement avant utilisation. Des filtres pas assez secs peuvent affecter la capacité d'aspiration et la durée de vie du moteur.

**REMARQUE :** Après avoir nettoyé les filtres et la feuille-éponge, veillez à les remettre en place avant utilisation. Si vous utilisez l'aspirateur sans les filtres ni la feuille-éponge, la poussière pénétrera dans le carter du moteur et provoquera un dysfonctionnement.

## Unité du cyclone

1. Tapotez plusieurs fois l'unité du cyclone à la main pour éliminer la poussière qui adhère à la surface interne de l'unité du cyclone et du filtre.

► Fig.22: 1. Unité du cyclone

2. Avec l'entrée d'aspiration orientée vers le bas, tournez l'unité du cyclone comme illustré sur la figure en alignant l'index sur l'unité du cyclone avec celui sur le corps de l'aspirateur pour libérer le verrou. Détachez ensuite lentement et tout droit l'unité du cyclone du corps de l'aspirateur.

► Fig.23: 1. Unité du cyclone 2. Entrée d'aspiration 3. Index 4. Filtre

**NOTE :** De la poussière peut s'échapper lorsque l'unité du cyclone est démontée. Il est recommandé de placer un sac poubelle sous l'unité du cyclone.

3. Retirez la poussière à l'intérieur de l'unité du cyclone et du filtre.

► Fig.24

4. Remplacez l'unité du cyclone sur le corps de l'aspirateur en alignant l'index sur l'unité du cyclone avec celui sur le corps de l'aspirateur. Tournez ensuite l'unité du cyclone comme illustré sur la figure jusqu'à ce qu'elle soit fixée en place.

► Fig.25: 1. Unité du cyclone 2. Corps de l'aspirateur 3. Index

## Filtre haute performance

### Accessoire en option

1. Démontez l'unité du cyclone du corps de l'aspirateur.

2. Tenez l'extrémité de montage du filtre haute performance et séparez-la du corps de l'aspirateur.

► Fig.26: 1. Filtre haute performance 2. Corps de l'aspirateur

3. Essuyez et secouez la poussière sur le filtre haute performance à la main.

► Fig.27

4. Lavez le filtre haute performance à l'eau savonneuse lorsqu'il est obstrué par de la poussière et de la saleté.

Laissez-le sécher complètement à l'ombre avant l'utilisation.

► Fig.28

**NOTE :** Évitez de serrer l'extrémité de l'accessoire (bague d'étanchéité en caoutchouc) du filtre haute performance lorsque vous le fixez pour le sécher.

5. Tenez l'extrémité de montage du filtre haute performance et réinsérez-la sur le corps de l'aspirateur.

► Fig.29: 1. Filtre haute performance 2. Corps de l'aspirateur

## Filtre HEPA

### Accessoire en option

**REMARQUE :** Ne frottez, ni ne grattez le filtre HEPA avec des objets durs comme une brosse ou une spatule.

1. Démontez l'unité du cyclone du corps de l'aspirateur.

2. Tenez l'extrémité de montage du filtre HEPA (recouvert du préfiltre haute performance) et séparez-la du corps de l'aspirateur.

► Fig.30: 1. Filtre HEPA (recouvert du préfiltre haute performance) 2. Corps de l'aspirateur

3. Démontez le préfiltre haute performance du filtre HEPA en le tournant manuellement.

► Fig.31: 1. Préfiltre haute performance 2. Filtre HEPA

4. Essuyez et secouez la poussière sur le préfiltre haute performance et le filtre HEPA à la main.

► Fig.32

5. Lavez le préfiltre haute performance et le filtre HEPA à l'eau savonneuse. Rincez-les et laissez-les sécher complètement à l'ombre avant l'utilisation.

► Fig.33

**NOTE :** Évitez de serrer l'extrémité de l'accessoire (bague d'étanchéité en caoutchouc) du filtre HEPA lorsque vous le fixez pour le sécher.

6. Fixez le préfiltre haute performance sur le filtre HEPA.

► Fig.34: 1. Préfiltre haute performance 2. Filtre HEPA

7. Tenez l'extrémité de montage du filtre HEPA (recouvert du préfiltre haute performance) et réinsérez-la dans le corps de l'aspirateur.

► Fig.35: 1. Filtre HEPA (recouvert du préfiltre haute performance) 2. Corps de l'aspirateur

## Feuille-éponge

1. Démontez l'unité du cyclone du corps de l'aspirateur.
2. Tenez l'extrémité de montage du filtre et séparez-la du corps de l'aspirateur.  
► **Fig.36:** 1. Filtre 2. Corps de l'aspirateur
3. Retirez la feuille-éponge de l'ouverture d'aspiration.  
► **Fig.37:** 1. Feuille-éponge 2. Ouverture d'aspiration
4. Essayez et secouez la poussière de la feuille-éponge à la main.  
► **Fig.38**
5. Lavez la feuille-éponge à l'eau savonneuse lorsqu'elle est obstruée par de la poussière et de la saleté. Laissez-le sécher complètement à l'ombre avant l'utilisation.  
► **Fig.39**
6. Remontez la feuille-éponge dans sa position d'origine. Assurez-vous que les bords gauche et droit de la feuille-éponge sont maintenus en place par des butées et qu'il n'y a aucun espace entre la feuille-éponge et l'ouverture d'aspiration.  
► **Fig.40:** 1. Feuille-éponge 2. Butée 3. Ouverture d'aspiration
7. Tenez l'extrémité de montage du filtre et réinsérez-la sur le corps de l'aspirateur.  
► **Fig.41:** 1. Filtre 2. Corps de l'aspirateur

## Maintenance conditionnelle

**REMARQUE :** Nettoyez le filtre à maille de l'unité du cyclone lorsqu'il est obstrué. L'utilisation continue dans cet état peut provoquer une émission de chaleur ou un dysfonctionnement du moteur.

Un nettoyage en profondeur des taches doit être effectué en fonction des performances de l'outil.

## Filtre à maille

Lorsque le logement à poussières est sale ou que le filtre à maille est bouché, retirez-les et lavez-les à l'eau. (Consultez « Mise au rebut des poussières » pour la procédure de retrait.)

1. Tenez fermement le logement à poussières et retirez-le du corps du cyclone tout en maintenant enfoncés les boutons de dégagement des deux côtés du logement à poussières.  
► **Fig.42:** 1. Logement à poussières 2. Corps du cyclone 3. Boutons de dégagement
2. Tournez le filtre à maille comme illustré sur la figure pour libérer le verrou. Puis détachez-le du corps du cyclone.  
► **Fig.43:** 1. Filtre à maille
3. Démontez le filtre à maille en trois composants : préfiltre, filtre éponge tubulaire et tuyau à mailles.

- i Serrez ensemble les butées de guidage sur le dessus du tuyau à mailles.
- ii Faites passer les butées de guidage vers le bas à travers l'orifice de guidage situé sur le dessus du préfiltre.

- iii Tirez le préfiltre le long du filtre éponge tubulaire et du tuyau à mailles.

- iv Retirez le filtre éponge tubulaire du tuyau à mailles.

- **Fig.44:** 1. Préfiltre 2. Filtre éponge tubulaire  
3. Tuyau à mailles 4. Butées de guidage  
5. Orifice de guidage

4. Essayez et secouez la poussière des filtres et du tuyau à mailles à la main.

- **Fig.45**

5. Lavez les filtres et le tuyau à mailles à l'eau savonneuse s'ils sont obstrués par de la poussière et de la saleté. Laissez-les sécher complètement à l'ombre avant l'utilisation.

- **Fig.46**

6. Remontez le filtre à maille.

- i Insérez le filtre éponge tubulaire dans le préfiltre.

- ii Insérez le tuyau à mailles dans le filtre éponge tubulaire et le préfiltre, en faisant passer les butées de guidage sur le dessus du tuyau à mailles par l'orifice de guidage sur le dessus du préfiltre.

- iii Poussez le tuyau à mailles à travers le filtre éponge tubulaire et le préfiltre jusqu'à ce qu'il se verrouille en place avec un déclic.

- **Fig.47:** 1. Préfiltre 2. Filtre éponge tubulaire  
3. Tuyau à mailles 4. Butées de guidage  
5. Orifice de guidage

7. Fixez le filtre à maille dans le corps du cyclone en alignant les crochets sur le filtre à mailles avec les orifices sur la sortie d'aspiration du corps du cyclone. Tournez le filtre à maille comme illustré sur la figure jusqu'à ce que les crochets se verrouillent en place avec un déclic. Assurez-vous que le filtre à maille est solidement installé.

- **Fig.48:** 1. Filtre à maille 2. Corps du cyclone  
3. Crochet 4. Orifice

## Canaux d'air dans l'unité du cyclone

Les substances étrangères entrantes peuvent bloquer les canaux d'air dans l'unité du cyclone et les flux d'air chargés. Si les performances d'aspiration sont affectées de manière notable, éliminez tout obstacle dans le passage d'air.

1. Démontez l'unité du cyclone en trois composants : logement à poussières, filtre à maille et corps du cyclone.  
► **Fig.49:** 1. Logement à poussières 2. Filtre à maille  
3. Corps du cyclone 4. Corps de l'aspirateur

2. Maintenez enfoncée la butée de guidage sur le tuyau d'entrée jusqu'au trou de verrouillage sur le corps du cyclone au moyen d'un outil manuel avec une pointe. Retirez ensuite le tuyau d'entrée du corps du cyclone.

- **Fig.50:** 1. Tuyau d'entrée 2. Butée de guidage  
3. Corps du cyclone 4. Trou de verrouillage

3. Éliminez toute substance présente dans les canaux d'air.

Des substances étrangères risquent de se coincer autour d'un orifice d'arrivée d'air.

- **Fig.51:** 1. Entrée d'aspiration 2. Orifice d'arrivée d'air

4. Remettez le tuyau d'entrée en place jusqu'à ce qu'il soit bien verrouillé.

- **Fig.52:** 1. Tuyau d'entrée 2. Corps du cyclone  
3. Joint torique 4. Clapet à battant

**REMARQUE :** Assurez-vous que le joint torique et le clapet à battant sont bien en place avant le remontage. Les performances d'aspiration peuvent être affectées si l'unité du cyclone est utilisée sans le joint torique et le clapet à battant en place.

5. Remontez l'unité du cyclone et fixez-la sur le corps de l'aspirateur.

## Guide de dépannage

Avant de solliciter une réparation, vérifiez les points suivants.

Symptôme	Point à vérifier	Méthode de réparation
Faible puissance d'aspiration	Le logement à poussières ou l'intérieur de l'unité du cyclone sont-ils pleins de poussière ?	Videz le logement à poussières ou l'intérieur de l'unité du cyclone.
	Les filtres sont-ils obstrués ?	Dépoussiérez ou lavez le filtre haute performance/le filtre HEPA/la feuille-éponge/le filtre à maille.
	Quelque chose qui bloque les canaux d'air entrant ?	Retirez toute poussière ou tout objet des ouvertures d'air et des canaux d'air.
	La batterie est-elle déchargée ?	Chargez la batterie.
Ne fonctionne pas	La batterie est-elle déchargée ?	Chargez la batterie.
Bruit et vibration	Les filtres sont-ils obstrués ?	Dépoussiérez ou lavez le filtre haute performance/le filtre HEPA/la feuille-éponge/le filtre à maille.
	Quelque chose qui bloque les ouvertures ou les orifices ?	Retirez toute poussière ou tout objet des suceurs, tuyaux et ouvertures d'air.
	L'entrée d'aspiration du suceur ou du tuyau est-elle fermée ?	Découvrez et ouvrez l'entrée d'aspiration du suceur et du tuyau.

**⚠ ATTENTION :** N'essayez pas de réparer vous-même l'aspirateur.

## ACCESSOIRES EN OPTION

**⚠ ATTENTION :** Ces accessoires ou pièces complémentaires sont recommandés pour l'utilisation avec l'outil Makita spécifié dans ce mode d'emploi. L'utilisation de tout autre accessoire ou pièce complémentaire peut comporter un risque de blessure. N'utilisez les accessoires ou pièces complémentaires qu'aux fins auxquelles ils ont été conçus.

Pour obtenir plus de détails sur ces accessoires, contactez votre centre d'entretien local Makita.

- Tube prolongateur (tuyau droit)
- Suceur
- Suceur pour tapis
- Brosse pour étagères
- Suceur plat
- Brosse ronde
- Tuyau flexible
- Filtre haute performance
- Filtre HEPA
- Suceur pour siège
- Suceur pour interstice
- Sac de l'outil
- Batterie et chargeur Makita d'origine

**NOTE :** Il se peut que certains éléments de la liste soient compris dans l'emballage de l'outil en tant qu'accessoires standard. Ils peuvent varier d'un pays à l'autre.

## WARNUNG

- Dieses Gerät kann von Kindern ab 8 Jahren und Personen mit verminderten körperlichen, sensorischen oder geistigen Fähigkeiten oder Mangel an Erfahrung und Kenntnissen benutzt werden, sofern sie eine Beaufsichtigung oder Anweisung bezüglich des sicheren Gebrauchs des Gerätes erhalten haben und die damit verbundenen Gefahren verstehen.
- Kinder dürfen nicht mit dem Gerät spielen. Reinigung und Benutzerwartung dürfen nicht von Kindern ohne Beaufsichtigung durchgeführt werden.
- Angaben zur Typenbezeichnung des Akkus finden Sie im Kapitel „TECHNISCHE DATEN“.
- Angaben zum Demontage- oder Installationsverfahren des Akkus finden Sie im Abschnitt „Installieren oder Demontieren des Akkus“.
- Entfernen Sie den Akku zum Entsorgen vom Werkzeug, und entsorgen Sie ihn an einem sicheren Ort. Befolgen Sie die örtlichen Vorschriften bezüglich der Entsorgung von Akkus.
- Soll das Werkzeug längere Zeit nicht benutzt werden, muss der Akku vom Werkzeug entfernt werden.
- Der Akku darf nicht kurzgeschlossen werden.
- Entsprechende Details der Vorsichtsmaßnahmen während der Benutzerwartung finden Sie im Kapitel „WARTUNG“.

## TECHNISCHE DATEN

<b>Modell:</b>	<b>CL003G</b>		
Kapazität	250 mL / 400 mL (länderspezifisch)		
Dauerbetrieb (mit Akku BL4025)	1 (Leisemodus)	ca. 80 min	
	2 (Normaldrehzahlmodus)	ca. 40 min	
	3 (Hochdrehzahlmodus)	ca. 25 min	
	4 (Maximaldrehzahlmodus)	ca. 16 min	
Gesamtlänge (mit Rohr, Düse und Akku BL4025)	1.106 mm		
Nennspannung	Gleichstrom 36 V - 40 V max.		
Nettogewicht	1,9 - 2,6 kg		

- Wir behalten uns vor, Änderungen der technischen Daten im Zuge der Entwicklung und des technischen Fortschritts ohne vorherige Ankündigung vorzunehmen.
- Die technischen Daten können von Land zu Land unterschiedlich sein.
- Das Gewicht schließt keine Zubehörteile, aber Akkus ein. Das niedrigste und höchste Kombinationsgewicht des Gerätes und der Akkus sind in der Tabelle angegeben.

## Zutreffende Akkus und Ladegeräte

Akku	BL4020* / BL4025* / BL4040* / BL4050F *: Empfohlener Akku
Ladegerät	DC40RA / DC40RB / DC40RC

- Einige der oben aufgelisteten Akkus und Ladegeräte sind je nach Ihrem Wohngebiet eventuell nicht erhältlich.

**⚠️ WARNUNG:** Verwenden Sie nur die oben aufgeführten Akkus und Ladegeräte. Bei Verwendung irgendwelcher anderer Akkus und Ladegeräte besteht Verletzungs- und/oder Brandgefahr.

## Symbole

Nachfolgend werden Symbole beschrieben, die für das Gerät verwendet werden können. Machen Sie sich unbedingt vor der Benutzung mit ihrer Bedeutung vertraut.



Betriebsanleitung lesen.



Ein repräsentativer Akku, der für dieses Produkt geeignet ist.



Nur für EU-Länder  
Aufgrund des Vorhandenseins gefährlicher Komponenten in der Ausrüstung können Elektro- und Elektronik-Altgeräte, Akkumulatoren und Batterien sich negativ auf die Umwelt und die menschliche Gesundheit auswirken. Entsorgen Sie Elektro- und Elektronikgeräte oder Batterien nicht mit dem Hausmüll! In Übereinstimmung mit der Europäischen Richtlinie über Elektro- und Elektronik-Altgeräte, Akkumulatoren und Batterien, verbrauchte Akkumulatoren und Batterien sowie ihrer Anpassung an nationales Recht sollten Elektro-Altgeräte, Batterien und Akkumulatoren gemäß den Umweltschutzbestimmungen getrennt gelagert und zu einer getrennten Sammelstelle für Siedlungsabfälle geliefert werden. Dies wird durch das am Gerät angebrachte Symbol der durchgestrichenen Abfalltonne auf Rädern angezeigt.

## Vorgesehene Verwendung

Das Werkzeug ist für das Absaugen von Trockenstaub vorgesehen.

## SICHERHEITSWARNUNGEN

### Sicherheitswarnungen für Akku-Staubsauger

**⚠️ WARNUNG: WICHTIG!** Alle Sicherheitswarnungen und Anweisungen **VOR GEBRAUCH AUFMERKSAM LESEN**. Eine Missachtung der Warnungen und Anweisungen kann zu einem elektrischen Schlag, Brand und/oder schweren Verletzungen führen.

1. **Das Gerät keinem Regen aussetzen. In Innenräumen aufbewahren.**
2. **Das Gerät darf nicht als Spielzeug benutzt werden. Wenn das Gerät von Kindern oder in deren Nähe benutzt wird, ist besondere Vorsicht geboten.**
3. **Nur gemäß der Beschreibung in dieser Anleitung benutzen. Nur vom Hersteller empfohlene Zusatzvorrichtungen verwenden.**
4. **Nicht mit beschädigtem Akku benutzen. Falls das Gerät nicht ordnungsgemäß funktioniert, fallen gelassen, beschädigt, im Freien liegen gelassen wurde oder ins Wasser gefallen ist, bringen Sie es zu einem Kundenzentrum.**
5. **Fassen Sie das Gerät nicht mit nassen Händen an.**

6. **Stecken Sie keine Gegenstände in die Öffnungen. Benutzen Sie das Gerät nicht mit einer blockierten Öffnung; halten Sie es frei von Staub, Fusseln, Haaren und Fremdkörpern, die den Luftstrom behindern können.**
7. **Halten Sie Haare, lose Kleidung, Finger und alle Körperteile von den Öffnungen und beweglichen Teilen fern.**
8. **Schalten Sie sämtliche Bedienelemente aus, bevor Sie den Akku abnehmen.**
9. **Lassen Sie bei der Reinigung von Treppen besondere Vorsicht walten.**
10. **Verwenden Sie das Gerät nicht zum Aufsaugen von brennbaren oder feuergefährlichen Flüssigkeiten, wie z. B. Benzin, und benutzen Sie es auch nicht in der Nähe solcher Flüssigkeiten.**
11. **Verwenden Sie nur das vom Hersteller gelieferte Ladegerät zum Aufladen.**
12. **Saugen Sie keine brennenden oder rauchenden Gegenstände auf, wie z. B. Zigaretten, Streichhölzer oder heiße Asche.**
13. **Benutzen Sie das Gerät nicht ohne angebrachten Staubsack und/oder Filter.**
14. **Laden Sie den Akku nicht im Freien.**
15. **Laden Sie den Akku nur mit dem vom Hersteller vorgeschriebenen Ladegerät. Ein Ladegerät, das für einen Akkutyp geeignet ist, kann bei Verwendung mit einem anderen Akku eine Brandgefahr darstellen.**
16. **Benutzen Sie Geräte nur mit den ausdrücklich vorgeschriebenen Akkus. Bei Verwendung irgendwelcher anderer Akkus besteht Verletzungs- und Brandgefahr.**
17. **Bewahren Sie den Akku bei Nichtgebrauch nicht zusammen mit Metallgegenständen, wie Büroklammern, Münzen, Schlüsseln, Nägeln, Schrauben, und anderen kleinen Metallteilen auf, welche die Kontakte kurzschließen können.**
18. **Bei Missbrauch kann Flüssigkeit aus dem Akku austreten. Vermeiden Sie Kontakt mit dieser Flüssigkeit. Falls Sie versehentlich mit der Flüssigkeit in Berührung kommen, spülen Sie die betroffenen Stellen mit Wasser ab.**
19. **Verwenden Sie keine Akkus oder Geräte, die beschädigt oder modifiziert sind. Beschädigte oder modifizierte Akkus können unvorhersehbares Verhalten zeigen, das zu einem Brand, einer Explosion oder Verletzungsgefahr führen kann.**
20. **Setzen Sie einen Akku oder ein Gerät nicht Feuer oder übermäßigen Temperaturen aus. Bei Einwirkung von Feuer oder Temperaturen über 130 °C kann es zu einer Explosion kommen.**
21. **Befolgen Sie alle Ladeanweisungen, und laden Sie den Akku bzw. das Gerät nicht außerhalb des in den Anweisungen angegebenen Temperaturbereichs. Wird der Ladevorgang unsachgemäß oder bei Temperaturen außerhalb des angegebenen Bereichs durchgeführt, kann es zu einer Beschädigung des Akkus und erhöhter Brandgefahr kommen.**

## BEWAHREN SIE DIESE ANLEITUNG AUF.

## ZUSÄTZLICHE SICHERHEITSREGELN

Dieses Gerät ist für Haushaltsgebrauch vorgesehen.

1. Lesen Sie diese Gebrauchsanleitung und die Gebrauchsanleitung des Ladegerätes vor der Benutzung aufmerksam durch.
2. Unterlassen Sie das Aufsaugen der folgenden Materialien:
  - Heiße Materialien, wie z. B. brennende Zigaretten oder durch Schleifen/Schneiden von Metall erzeugte Funken/Metallstaub
  - Brennbarere Materialien, wie z. B. Benzin, Verdünnern, Petroleum oder Lack
  - Explosive Materialien, wie Nitroglycerin
  - Zündfähige Materialien, wie z. B. Aluminium, Zink, Magnesium, Titan, Phosphor oder Celluloid
  - Nassen Schmutz, Wasser, Öl oder dergleichen
  - Harte Gegenstände mit scharfen Kanten, wie z. B. Holzspäne, Metalle, Steine, Glas, Nägel, Nadeln oder Rasierklingen
  - Klumpen bildendes Pulver, wie z. B. Zement oder Toner
  - Leitfähiger Staub, wie z. B. Metall- oder Kohlenstaub
  - Feine Partikel, wie z. B. BetonstaubSolche Handlungen können einen Brand, Verletzungen und/oder Sachschäden verursachen.
3. Brechen Sie den Betrieb sofort ab, wenn Sie irgendetwas Ungewöhnliches bemerken.
4. Falls Sie den Staubsauger fallen lassen oder anstoßen, überprüfen Sie ihn vor der Benutzung sorgfältig auf Risse oder Beschädigung.
5. Bringen Sie das Gerät nicht in die Nähe von Öfen oder anderen Wärmequellen.
6. Blockieren Sie nicht die Einlassöffnung oder die Belüftungsöffnungen.

## BEWAHREN SIE DIESE ANLEITUNG AUF.

### Wichtige Sicherheitsanweisungen für Akku

1. Lesen Sie vor der Benutzung des Akkus alle Anweisungen und Warnhinweise, die an (1) Ladegerät, (2) Akku und (3) Akkuwerkzeug angebracht sind.
2. Unterlassen Sie Zerlegen oder Manipulieren des Akkus. Es kann sonst zu einem Brand, übermäßiger Hitzeentwicklung oder einer Explosion kommen.
3. Falls die Betriebszeit beträchtlich kürzer geworden ist, stellen Sie den Betrieb sofort ein. Anderenfalls besteht die Gefahr von Überhitzung, möglichen Verbrennungen und sogar einer Explosion.
4. Falls Elektrolyt in Ihre Augen gelangt, waschen Sie sie mit sauberem Wasser aus, und begeben Sie sich unverzüglich in ärztliche Behandlung. Anderenfalls können Sie Ihre Sehkraft verlieren.
5. Der Akku darf nicht kurzgeschlossen werden:
  - (1) Die Kontakte dürfen nicht mit leitfähigem Material berührt werden.
  - (2) Lagern Sie den Akku nicht in einem Behälter zusammen mit anderen Metallgegenständen, wie z. B. Nägel, Münzen usw.
  - (3) Setzen Sie den Akku weder Wasser noch Regen aus.Ein Kurzschluss des Akkus verursacht starken Stromfluss, der Überhitzung, mögliche Verbrennungen und einen Defekt zur Folge haben kann.
6. Lagern und benutzen Sie das Werkzeug und den Akku nicht an Orten, an denen die Temperatur 50 °C erreichen oder überschreiten kann.
7. Versuchen Sie niemals, den Akku zu verbrennen, selbst wenn er stark beschädigt oder vollkommen verbraucht ist. Der Akku kann im Feuer explodieren.
8. Unterlassen Sie Nageln, Schneiden, Zerquetschen, Werfen, Fallenlassen des Akkus oder Schlagen des Akkus mit einem harten Gegenstand. Eine solche Handlung kann zu einem Brand, übermäßiger Hitzeentwicklung oder einer Explosion führen.
9. Benutzen Sie keine beschädigten Akkus.
10. Die enthaltenen Lithium-Ionen-Akkus unterliegen den Anforderungen der Gefahrgut-Gesetzgebung.

Für kommerzielle Transporte, z. B. durch Dritte oder Spediteure, müssen besondere Anforderungen zu Verpackung und Etikettierung beachtet werden.

Zur Vorbereitung des zu transportierenden Artikels ist eine Beratung durch einen Experten für Gefahrgut erforderlich. Bitte beachten Sie möglicherweise ausführlichere nationale Vorschriften. Überkleben oder verdecken Sie offene Kontakte, und verpacken Sie den Akku so, dass er sich in der Verpackung nicht umher bewegen kann.
11. Entfernen Sie den Akku zum Entsorgen vom Werkzeug, und entsorgen Sie ihn an einem sicheren Ort. Befolgen Sie die örtlichen Vorschriften bezüglich der Entsorgung von Akkus.
12. Verwenden Sie die Akkus nur mit den von Makita angegebenen Produkten. Das Einsetzen der Akkus in nicht konforme Produkte kann zu einem Brand, übermäßiger Hitzeentwicklung, einer Explosion oder Auslaufen von Elektrolyt führen.
13. Soll das Werkzeug längere Zeit nicht benutzt werden, muss der Akku vom Werkzeug entfernt werden.
14. Bei und nach dem Gebrauch kann der Akku heiß werden, was Verbrennungen oder Niedertemperaturverbrennungen verursachen kann. Beachten Sie die Handhabung von heißen Akkus.

15. **Berühren Sie nicht den Anschlusskontakt des Werkzeugs unmittelbar nach dem Gebrauch, da er heiß genug werden kann, um Verbrennungen zu verursachen.**
16. **Achten Sie darauf, dass sich keine Späne, Staub oder Schmutz in den Anschlusskontakten, Löchern und Nuten des Akkus absetzen.** Es könnte sonst zu Erhitzung, Brandauslösung, Bersten und Funktionsstörungen des Werkzeugs oder des Akkus kommen, was zu Verbrennungen oder Personenschäden führen kann.
17. **Wenn das Werkzeug den Einsatz in der Nähe einer Hochspannungs-Stromleitung nicht unterstützt, benutzen Sie den Akku nicht in der Nähe einer Hochspannungs-Stromleitung.** Dies kann zu einer Funktionsstörung oder Betriebsstörung des Werkzeugs oder des Akkus führen.
18. **Halten Sie die Batterie von Kindern fern.**

## **DIESE ANWEISUNGEN AUFBEWAHREN.**

**⚠VORSICHT:** Verwenden Sie nur Original-Makita-Akkus. Die Verwendung von Nicht-Original-Makita-Akkus oder von Akkus, die abgeändert worden sind, kann zum Bersten des Akkus und daraus resultierenden Bränden, Personenschäden und Beschädigung führen. Außerdem wird dadurch die Makita-Garantie für das Makita-Werkzeug und -Ladegerät ungültig.

## **Hinweise zur Aufrechterhaltung der maximalen**

### **Akku-Nutzungsdauer**

1. **Laden Sie den Akku, bevor er vollkommen erschöpft ist. Schalten Sie das Werkzeug stets aus, und laden Sie den Akku, wenn Sie ein Nachlassen der Werkzeugleistung feststellen.**
2. **Unterlassen Sie erneutes Laden eines voll aufgeladenen Akkus. Überladen führt zu einer Verkürzung der Nutzungsdauer des Akkus.**
3. **Laden Sie den Akku bei Raumtemperatur zwischen 10 – 40 °C. Lassen Sie einen heißen Akku abkühlen, bevor Sie ihn laden.**
4. **Wenn Sie den Akku nicht benutzen, nehmen Sie ihn vom Werkzeug oder Ladegerät ab.**
5. **Der Akku muss geladen werden, wenn er lange Zeit (länger als sechs Monate) nicht benutzt wird.**

## **FUNKTIONSBESCHREIBUNG**

**⚠VORSICHT:** Vergewissern Sie sich vor der Durchführung von Einstellungen oder Funktionsprüfungen des Werkzeugs stets, dass das Werkzeug ausgeschaltet und der Akku abgenommen ist.

**⚠VORSICHT:** Achten Sie beim Einsetzen des Akkus darauf, dass Sie sich nicht die Finger zwischen Staubsauger und Akku klemmen, wie in der Abbildung gezeigt. Einklemmen von Fingern kann Verletzungen verursachen.

► **Abb.1**

## **Anbringen und Abnehmen des Akkus**

**⚠VORSICHT:** Schalten Sie das Werkzeug stets aus, bevor Sie den Akku anbringen oder abnehmen.

**⚠VORSICHT:** Halten Sie das Werkzeug und den Akku beim Anbringen oder Abnehmen des Akkus sicher fest. Wenn Sie das Werkzeug und den Akku nicht sicher festhalten, können sie Ihnen aus der Hand rutschen, was zu einer Beschädigung des Werkzeugs und des Akkus und zu Körperverletzungen führen kann.

► **Abb.2:** 1. Rote Anzeige 2. Knopf 3. Akku

Ziehen Sie den Akku zum Abnehmen vom Werkzeug ab, während Sie den Knopf an der Vorderseite des Akkus verschieben.

Richten Sie zum Anbringen des Akkus dessen Führungsfeder auf die Nut im Gehäuse aus, und schieben Sie den Akku hinein. Schieben Sie ihn vollständig ein, bis er mit einem leisen Klicken einrastet. Wenn Sie die rote Anzeige sehen können, wie in der Abbildung gezeigt, ist der Akku nicht vollständig verriegelt.

**⚠VORSICHT:** Schieben Sie den Akku stets bis zum Anschlag ein, bis die rote Anzeige nicht mehr sichtbar ist. Anderenfalls kann er aus dem Werkzeug herausfallen und Sie oder umstehende Personen verletzen.

**⚠VORSICHT:** Unterlassen Sie Gewaltanwendung beim Anbringen des Akkus. Falls der Akku nicht reibungslos hineingleitet, ist er nicht richtig ausgerichtet.

## **Akku-Schutzsystem**

Das Werkzeug ist mit einem Werkzeug/Akku-Schutzsystem ausgestattet. Dieses System schaltet die Stromversorgung des Motors automatisch ab, um die Lebensdauer von Werkzeug und Akku zu verlängern. Das Werkzeug bleibt während des Betriebs automatisch stehen, wenn das Werkzeug oder der Akku einer der folgenden Bedingungen unterliegt.



## Überlastung:

Das Werkzeug/der Akku wird auf eine Weise benutzt, die eine ungewöhnlich hohe Stromaufnahme bewirkt. Schalten Sie in dieser Situation das Werkzeug aus, und brechen Sie die Arbeit ab, die eine Überlastung des Werkzeugs verursacht hat. Schalten Sie dann das Werkzeug wieder ein, um neu zu starten. Falls das Werkzeug nicht startet, ist das Werkzeug/der Akku überhitzt. Lassen Sie das Werkzeug/den Akku in dieser Situation abkühlen, bevor Sie das Werkzeug wieder einschalten.

## Niedrige Akkuspannung:

Die Akku-Restkapazität ist zu niedrig, und das Werkzeug funktioniert nicht. Nehmen Sie in dieser Situation den Akku ab, und laden Sie ihn auf.

## Schutz gegen andere Ursachen:

Das Schutzsystem ist auch für andere Ursachen ausgelegt, die eine Beschädigung des Werkzeugs bewirken könnten, und ermöglicht automatisches Anhalten des Werkzeugs. Führen Sie alle folgenden Schritte aus, um die Ursachen zu beseitigen, wenn das Werkzeug zu einem vorübergehenden Stillstand oder Betriebsstopp gekommen ist.

















1. Schalten Sie das Werkzeug aus und wieder ein, um es neu zu starten.
2. Laden Sie den/die Akku(s) auf, oder tauschen Sie ihn/sie gegen einen aufgeladenen Akku/aufgeladene Akkus aus.
3. Lassen Sie das Werkzeug und den/die Akku(s) abkühlen.

Falls die Wiederherstellung des Schutzsystems keine Besserung bringt, wenden Sie sich an Ihr lokales Makita-Servicecenter.

## Anzeigen der Akku-Restkapazität

Drücken Sie die Prüftaste am Akku, um die Akku-Restkapazität anzuzeigen. Die Anzeigelampen leuchten wenige Sekunden lang auf.

► **Abb.3:** 1. Anzeigelampen 2. Prüftaste

Anzeigelampen			Restkapazität
 Erleuchtet	 Aus	 Blinkend	
			75% bis 100%
			50% bis 75%
			25% bis 50%
			0% bis 25%
			Den Akku aufladen.
 	 		Möglicherweise liegt eine Funktionsstörung im Akku vor.

**HINWEIS:** Abhängig von den Benutzungsbedingungen und der Umgebungstemperatur kann die Anzeige geringfügig von der tatsächlichen Kapazität abweichen.

**HINWEIS:** Die erste (äußerste linke) Anzeigelampe blinkt, wenn das Akku-Schutzsystem aktiv ist.

## Schalterfunktion

► **Abb.4:** 1. Saugkraft-Umschalttaste 2. EIN/AUS-Taste

Drücken Sie zum Einschalten des Staubsaugers einfach die EIN/AUS-Taste. Drücken Sie zum Ausschalten die EIN/AUS-Taste erneut.

Durch Drücken der Saugkraft-Umschalttaste können Sie die Saugkraft des Staubsaugers in vier Stufen umschalten. Mit jedem Drücken dieser Taste werden die Modi Leise/Normal/Hoch/Max in einem Zyklus wiederholt.

Stufe	Anzeige	Modus
1		Leisemodus
2		Normaldrehzahlmodus
3		Hochdrehzahlmodus
4		Maximaldrehzahlmodus

**HINWEIS:** Sie können die Saugkraft vor dem Einschalten des Staubsaugers ändern.

**HINWEIS:** Der Staubsauger beginnt den Betrieb mit der gleichen Saugkraft wie beim letzten Betrieb.

## Einschalten der Lampe

**⚠ VORSICHT:** Blicken Sie nicht direkt in die Lampe oder die Lichtquelle.

Um die Lampe einzuschalten, drücken Sie die Saugkraft-Umschalttaste. Die Lampe erlischt nach ungefähr 10 Sekunden.

Während des Betriebs des Staubsaugers leuchtet die Lampe.

Die Lampe erlischt ungefähr 10 Sekunden nach dem Stoppen des Betriebs.

**HINWEIS:** Wenn die Akku-Restkapazität niedrig wird, beginnt die Lampe zu blinken. Der Zeitpunkt, zu dem die Lampe zu blinken beginnt, hängt von der Temperatur am Arbeitsplatz und dem Zustand des Akkus ab.

► **Abb.5:** 1. Saugkraft-Umschalttaste 2. EIN/AUS-Taste 3. Lampe

# BEZEICHNUNG DER TEILE

## Länderspezifisch

### ► Abb.6

1	250 mL Staubsammelbehälter (Sonderzubehör)	2	400 mL Staubsammelbehälter (Sonderzubehör)	3	Netzfilter	4	Zyklonkörper
5	Hochleistungsfiter (Filterrahmen in Grau) (Sonderzubehör)	6	HEPA-Filter (Filterrahmen in Weiß) (Sonderzubehör)	7	Schwammplatte	8	Staubsauger-Hauptteil
9	Handschlaufe (länderspezifisch)	-	-	-	-	-	-

## MONTAGE

**⚠ VORSICHT:** Vergewissern Sie sich vor der Ausführung von Arbeiten am Werkzeug stets, dass das Werkzeug ausgeschaltet und der Akku abgenommen ist.

**ANMERKUNG:** Vergewissern Sie sich vor Gebrauch, dass alle Anbauteile und Komponenten ordnungsgemäß befestigt sind.

### Montieren und Demontieren von Saugerätaufsätzen

**⚠ VORSICHT:** Prüfen Sie nach der Anbringung von Aufsätzen, ob sie sicher angebracht sind. Falls die Aufsätze unvollständig angebracht sind, können sie sich lösen und Personenschäden verursachen.

**⚠ VORSICHT:** Achten Sie beim Abnehmen des Aufsatzes darauf, dass Sie mit Ihrer Hand nicht gegen eine Wand usw. schlagen.

### Bei Verwendung des Aufsatzes mit Verriegelungsfunktion

Um den Aufsatz anzubringen, führen Sie ihn in den Saugeinlass des Staubsaugers ein, bis er einrastet. Vergewissern Sie sich, dass der Aufsatz verriegelt ist.

► **Abb.7:** 1. Saugeinlass 2. Aufsatz mit Verriegelungsfunktion 3. Raste

**ANMERKUNG:** Achten Sie beim Anbringen des Aufsatzes mit Verriegelungsfunktion darauf, dass der Entriegelungsknopf am Staubsauger auf die Raste am Aufsatz ausgerichtet ist. Falls sie nicht ausgerichtet sind, wird der Aufsatz nicht verriegelt und kann sich vom Staubsauger lösen.

Um den Aufsatz zu entfernen, ziehen Sie ihn vom Staubsauger ab, während Sie die Arme des Entriegelungsknopfes gedrückt halten.

► **Abb.8:** 1. Entriegelungsknopf 2. Arm des Entriegelungsknopfes 3. Aufsatz mit Verriegelungsfunktion 4. Saugeinlass

### Bei Verwendung des Aufsatzes ohne Verriegelungsfunktion

**ANMERKUNG:** Um den Aufsatz ohne Verriegelungsfunktion zu installieren, setzen Sie ihn in den Saugeinlass des Staubsaugers ein, indem Sie ihn wie in der Abbildung gezeigt drehen. Um den Aufsatz abzunehmen, lösen Sie ihn vom Staubsauger, indem Sie ihn wie in der Abbildung gezeigt drehen. Vermeiden Sie es, den Aufsatz in die dem Pfeil in der Abbildung entgegengesetzte Richtung zu drehen, da sich dadurch die Zycloneinheit lösen kann.

► **Abb.9**

## BETRIEB

**⚠ VORSICHT:** Bringen Sie Ihr Gesicht beim Betrieb des Staubsaugers nicht in die Nähe der Ventilationsöffnung. Falls Fremdkörper in die Augen von Personen oder Tieren geblasen werden, kann dies zu Verletzungen führen.

**ANMERKUNG:** Vermeiden Sie es, den Staubsauger in einer horizontalen oder nach oben gerichteten Position zu benutzen. Anderenfalls kann der Netzfilter verstopft werden.

**ANMERKUNG:** Benutzen Sie den Staubsauger immer mit installierten Filtern. Wenn Sie den Staubsauger ohne Filter benutzen, kann es zu einer Fehlfunktion des Motors kommen.

**ANMERKUNG:** Leeren Sie den Staubsammelbehälter in der Zycloneinheit, wenn sich Staub angesammelt hat. Fortgesetzter Gebrauch führt zu einer Abschwächung der Saugkraft.

Die Zycloneinheit trägt dazu bei, die in den Staubsauger eindringende Staubmenge zu reduzieren und die Saugleistung zu verbessern, wobei der Staub einfach und leicht entsorgt werden kann.

## Reinigen (Saugen)

### Düse

#### Nur mit 250-mL-Staubsaammelbehälter

Bringen Sie die Düse an, um Tische, Pulte, Möbelstücke usw. abzusaugen. Die Düse lässt sich leicht aufstecken.

► **Abb.10:** 1. Düse

### Düse + Verlängerungsrohr (gerades Rohr)

Das Verlängerungsrohr wird zwischen Düse und Staubsauger angebracht. Diese Anordnung ist praktisch, um den Fußboden im Stehen zu saugen.

► **Abb.11:** 1. Staubsauger-Hauptteil  
2. Verlängerungsrohr 3. Düse

### Spitzdüse

Bringen Sie die Spitzdüse an, um Ecken und Ritzen eines Autos oder Möbelstücks zu reinigen.

► **Abb.12:** 1. Spitzdüse 2. Staubsauger-Hauptteil

Sie können die Spitzdüse im Düsenhalter aufbewahren.

► **Abb.13:** 1. Düsenhalter 2. Spitzdüse

**⚠ VORSICHT:** Achten Sie darauf, dass keine Finger zwischen der Spitzdüse und dem Düsenhalter eingeklemmt werden. Einklemmen von Fingern kann Verletzungen verursachen.

### Spitzdüse + Verlängerungsrohr (gerades Rohr)

Benutzen Sie diese Anordnung in engen Zwischenräumen, in die der Staubsauger selbst nicht hineinpasst, oder an schwer erreichbaren hohen Orten.

► **Abb.14:** 1. Spitzdüse 2. Verlängerungsrohr  
3. Staubsauger-Hauptteil

### Staubsaugen ohne Düse

#### Nur mit 250-mL-Staubsaammelbehälter

Sie können Pulver und Staub ohne Düse aufsaugen.

► **Abb.15**

Um Staub im Stehen von einem Fußboden aufzusaugen, ist es praktisch, das Verlängerungsrohr (gerades Rohr) am Staubsauger anzubringen.

► **Abb.16:** 1. Verlängerungsrohr

### Staubentleerung

**⚠ VORSICHT:** Leeren Sie den Staubsauger, bevor er voll wird oder die Saugleistung nachlässt.

**⚠ VORSICHT:** Achten Sie beim Zusammenbau darauf, dass Sie keine Finger zwischen dem Staubsaammelbehälter und dem Zyklonkörper einklemmen.

Entsorgen Sie den angesammelten Staub wie folgt, bevor er die Staubentsorgungslinie überschreitet.

1. Richten Sie den Staubsaugerkopf nach unten, halten Sie den Staubsaammelbehälter fest, und ziehen Sie ihn dann vom Zyklonkörper ab, während Sie die Entriegelungsknöpfe auf beiden Seiten des Staubsaammelbehälters gedrückt halten.

► **Abb.17:** 1. Staubentsorgungslinie  
2. Staubsaammelbehälter  
3. Entriegelungsknöpfe 4. Netzfilter

2. Entleeren Sie den Staubsaammelbehälter, und reinigen Sie den Netzfilter vom anhaftenden Staub.

► **Abb.18**

3. Setzen Sie den Staubsaammelbehälter wieder auf den Zyklonkörper, um ihn mit Klicks zu sichern.

► **Abb.19:** 1. Staubsaammelbehälter  
2. Entriegelungsknöpfe 3. Zyklonkörper

**⚠ VORSICHT:** Bei der Entnahme aus dem Staubsaammelbehälter kann der Staub aufgewirbelt werden. Achten Sie darauf, dass kein Staub in Ihre Augen gelangt.

**ANMERKUNG:** Wenn der Staubsaammelbehälter verschmutzt ist, nehmen Sie ihn heraus und waschen Sie ihn mit Wasser aus. Trocknen Sie den Staubsaammelbehälter gründlich, bevor Sie ihn wieder zusammenbauen und benutzen.

**ANMERKUNG:** Vergewissern Sie sich vor Gebrauch, dass alle Anbauteile und Komponenten ordnungsgemäß befestigt sind.

**ANMERKUNG:** Falls die Saugkraft selbst nach der Entsorgung des Staus und der Reinigung des Netzfilters nicht wiederhergestellt wird, prüfen Sie, ob Staub sich im Zyklonkörper angesammelt hat, oder ob eine Verstopfung aufgetreten ist.

## WARTUNG

**⚠ VORSICHT:** Vergewissern Sie sich vor der Durchführung von Inspektions- oder Wartungsarbeiten stets, dass das Werkzeug ausgeschaltet und der Akku abgenommen ist.

**ANMERKUNG:** Verwenden Sie auf keinen Fall Benzin, Waschbenzin, Verdünnern, Alkohol oder dergleichen. Solche Mittel können Verfärbung, Verformung oder Rissbildung verursachen.

Um die SICHERHEIT und ZUVERLÄSSIGKEIT dieses Produkts zu gewährleisten, sollten Reparaturen und andere Wartungs- oder Einstellarbeiten nur von Makita-Vertragswerkstätten oder Makita-Kundendienstzentren unter ausschließlicher Verwendung von Makita-Originalersatzteilen ausgeführt werden.

## Nach dem Gebrauch

**⚠ VORSICHT:** Wird der Staubsauger ohne irgendeine Stütze gegen eine Wand gelehnt, kann er umkippen, was zu Personenschäden oder einer Beschädigung des Staubsaugers führen kann.

► Abb.20

## Regelmäßige Wartung

**ANMERKUNG:** Reinigen Sie die Filter in der Zykcloneinheit, wenn sie verstopft sind.

Fortgesetzter Gebrauch im verstopften Zustand kann zu Erhitzung oder einer Fehlfunktion des Motors führen.

**ANMERKUNG:** Blasen Sie am Staubsauger und an den Filtern haftenden Staub nicht mit einem Druckluftspray ab. Dadurch wird der Staub in das Gehäuse geblasen und ein Ausfall verursacht.

Zur Wiederherstellung der normalen Betriebsbedingungen ist eine routinemäßige Wartung erforderlich.

## Staubsauger-Hauptteil

Wischen Sie die Außenseite (Staubsauger-Hauptteil) des Staubsaugers mit einem mit Seifenwasser angefeuchteten Tuch ab, und reinigen Sie die Ansaugöffnungen.

► Abb.21

## Zykloneinheit und Filter

**ANMERKUNG:** Entstauben und reinigen Sie das Innere der Zykcloneinheit und der Filter, wenn die Saugleistung unabhängig von der Menge des im Staubsammelbehälter gesammelten Staubs nachlässt.

**ANMERKUNG:** Nachdem Sie die Filter gewaschen haben, lassen Sie sie vor Gebrauch gründlich trocknen. Unzureichend getrocknete Filter können schlechte Saugleistung verursachen und die Lebensdauer des Motors verkürzen.

**ANMERKUNG:** Nachdem Sie die Filter und die Schwammplatte gereinigt haben, setzen Sie sie vor Gebrauch unbedingt wieder ein. Wird der Staubsauger ohne Filter und Schwammplatte benutzt, kann Staub in das Motorgehäuse eindringen und eine Funktionsstörung verursachen.

## Zykloneinheit

1. Klopfen Sie mehrmals mit der Hand auf die Zykcloneinheit, um Staub zu entfernen, der an der Innenfläche der Zykcloneinheit und am Filter haftet.

► Abb.22: 1. Zykcloneinheit

2. Drehen Sie die Zykcloneinheit mit dem Saugeinlass nach unten, wie in der Abbildung gezeigt, und richten Sie dabei den Zeiger an der Zykcloneinheit auf den Zeiger am Staubsauger-Hauptteil aus, um die Verriegelung zu lösen. Lösen Sie dann die Zykcloneinheit langsam und gerade vom Staubsauger-Hauptteil.

► Abb.23: 1. Zykcloneinheit 2. Saugeinlass 3. Zeiger 4. Filter

**HINWEIS:** Bei der Demontage der Zykcloneinheit kann Staub herausfliegen. Es wird empfohlen, einen Müllsack unter die Zykcloneinheit zu legen.

3. Entstauben Sie das Innere der Zykcloneinheit und den Filter.

► Abb.24

4. Setzen Sie die Zykcloneinheit wieder auf den Staubsauger-Hauptteil auf, und richten Sie dabei den Zeiger der Zykcloneinheit auf den des Staubsauger-Hauptteils aus. Drehen Sie dann die Zykcloneinheit wie in der Abbildung gezeigt, bis sie gesichert ist.

► Abb.25: 1. Zykcloneinheit 2. Staubsauger-Hauptteil 3. Zeiger

## Hochleistungsfilter

### Sonderzubehör

1. Demontieren Sie die Zykcloneinheit vom Staubsauger-Hauptteil.

2. Halten Sie das Befestigungsende des Hochleistungsfilters fest, und ziehen Sie es vom Staubsauger-Hauptteil ab.

► Abb.26: 1. Hochleistungsfilter 2. Staubsauger-Hauptteil

3. Wischen Sie den Hochleistungsfilter mit der Hand ab und schütteln Sie den Staub ab.

► Abb.27

4. Waschen Sie den Hochleistungsfilter in Seifenwasser, wenn er mit Staub und Schmutz verstopft ist. Lassen Sie ihn vor Gebrauch gründlich im Schatten trocknen.

► Abb.28

**HINWEIS:** Vermeiden Sie es, das Befestigungsende (Gummidichtungsring) des Hochleistungsfilters zu befestigen, wenn Sie ihn zum Trocknen aufhängen.

5. Halten Sie das Befestigungsende des Hochleistungsfilters fest, und drücken Sie es zurück in das Staubsauger-Hauptteil.

► Abb.29: 1. Hochleistungsfilter 2. Staubsauger-Hauptteil

## HEPA-Filter

### Sonderzubehör

**ANMERKUNG:** Unterlassen Sie Abreiben oder Abkratzen des HEPA-Filters mit harten Gegenständen, wie z. B. einer Bürste und einer Kratze.

1. Demontieren Sie die Zykcloneinheit vom Staubsauger-Hauptteil.

2. Halten Sie das Befestigungsende des HEPA-Filters (mit Hochleistungs-Vorfilter abgedeckt), und ziehen Sie es vom Staubsauger-Hauptteil ab.

► Abb.30: 1. HEPA-Filter (mit Hochleistungs-Vorfilter abgedeckt) 2. Staubsauger-Hauptteil

3. Demontieren Sie den Hochleistungs-Vorfilter durch Drehen von Hand vom HEPA-Filter.

► Abb.31: 1. Hochleistungs-Vorfilter 2. HEPA-Filter

4. Wischen Sie den Hochleistungs-Vorfilter und den HEPA-Filter mit der Hand ab und schütteln Sie den Staub ab.

► **Abb.32**

5. Waschen Sie den Hochleistungs-Vorfilter und den HEPA-Filter in Seifenwasser. Spülen Sie die Teile ab, lassen Sie sie vor Gebrauch im Schatten gründlich trocknen.

► **Abb.33**

**HINWEIS:** Vermeiden Sie es, das Befestigungsende (Gummidichtungsring) des HEPA-Filters zu befestigen, wenn Sie ihn zum Trocknen aufhängen.

6. Bringen Sie den Hochleistungs-Vorfilter am HEPA-Filter an.

► **Abb.34:** 1. Hochleistungs-Vorfilter 2. HEPA-Filter

7. Halten Sie das Befestigungsende des HEPA-Filters (mit Hochleistungs-Vorfilter abgedeckt), und drücken Sie es wieder in den Staubsauger-Hauptteil hinein.

► **Abb.35:** 1. HEPA-Filter (mit Hochleistungs-Vorfilter abgedeckt) 2. Staubsauger-Hauptteil

## Schwammplatte

1. Demontieren Sie die Zykloneinheit vom Staubsauger-Hauptteil.

2. Halten Sie das Befestigungsende des Filters fest, und ziehen Sie es vom Staubsauger-Hauptteil ab.

► **Abb.36:** 1. Filter 2. Staubsauger-Hauptteil

3. Ziehen Sie die Schwammplatte von der Ansaugöffnung ab.

► **Abb.37:** 1. Schwammplatte 2. Ansaugöffnung

4. Wischen Sie die Schwammplatte mit der Hand ab und schütteln Sie den Staub ab.

► **Abb.38**

5. Waschen Sie die Schwammplatte in Seifenwasser, wenn sie mit Staub und Schmutz verstopft ist. Lassen Sie sie vor Gebrauch gründlich im Schatten trocknen.

► **Abb.39**

6. Bringen Sie die Schwammplatte wieder in ihre ursprüngliche Position. Vergewissern Sie sich, dass die linke und rechte Kante der Schwammplatte mit Stopperrn gesichert ist und dass kein Spalt zwischen Schwammplatte und Ansaugöffnung besteht.

► **Abb.40:** 1. Schwammplatte 2. Stopper 3. Ansaugöffnung

7. Halten Sie das Befestigungsende des Filters fest, und drücken Sie es wieder in den Staubsauger-Hauptteil hinein.

► **Abb.41:** 1. Filter 2. Staubsauger-Hauptteil

## Zustandsorientierte Instandhaltung

**ANMERKUNG:** Reinigen Sie den Netzfilter in der Zykloneinheit, wenn er verstopft ist. Fortgesetzter Gebrauch im verstopften Zustand kann zu Erhitzung oder einer Fehlfunktion des Motors führen.

Die Tiefen- und Punktreinigung muss entsprechend der Leistung Ihres Werkzeugs durchgeführt werden.

## Netzfilter

Wenn der Staubsammelbehälter schmutzig wird oder der Netzfilter verstopft ist, entfernen Sie die Teile, und waschen Sie sie mit Wasser. (Angaben zum Demontageverfahren finden Sie unter „Staubentleerung“.)

1. Halten Sie den Staubsammelbehälter fest, und ziehen Sie ihn dann vom Zyklonkörper ab, während Sie die Entriegelungsknöpfe auf beiden Seiten des Staubsammelbehälters gedrückt halten.

► **Abb.42:** 1. Staubsammelbehälter 2. Zyklonkörper 3. Entriegelungsknöpfe

2. Drehen Sie den Netzfilter wie in der Abbildung gezeigt, um die Verriegelung zu lösen. Lösen Sie ihn dann vom Zyklonkörper.

► **Abb.43:** 1. Netzfilter

3. Zerlegen Sie den Netzfilter in drei Teile: Vorfilter, rohrförmiger Schwammfilter und Netzrohr.

i Drücken Sie die Führungsstopper auf der Oberseite des Netzrohrs zusammen.

ii Führen Sie die Führungsstopper nach unten durch das Führungsloch oben auf dem Vorfilter.

iii Ziehen Sie den Vorfilter entlang des rohrförmigen Schwammfilters und des Netzrohrs.

iv Nehmen Sie den rohrförmigen Schwammfilter aus dem Netzrohr heraus.

► **Abb.44:** 1. Vorfilter 2. Rohrförmiger Schwammfilter 3. Netzrohr 4. Führungsstopper 5. Führungsloch

4. Wischen Sie die Filter und das Netzrohr mit der Hand ab und schütteln Sie den Staub ab.

► **Abb.45**

5. Waschen Sie die Filter und das Netzrohr in Seifenwasser, wenn sie mit Staub und Schmutz verstopft sind. Lassen Sie sie vor Gebrauch gründlich im Schatten trocknen.

► **Abb.46**

6. Setzen Sie den Netzfilter wieder ein.

i Führen Sie den rohrförmigen Schwammfilter in den Vorfilter ein.

ii Führen Sie das Netzrohr in den rohrförmigen Schwammfilter und den Vorfilter ein, indem Sie die Führungsstopper oben auf dem Netzrohr durch das Führungsloch oben auf dem Vorfilter führen.

iii Schieben Sie das Netzrohr durch den rohrförmigen Schwammfilter und den Vorfilter, bis es mit einem Klick einrastet.

► **Abb.47:** 1. Vorfilter 2. Rohrförmiger Schwammfilter 3. Netzrohr 4. Führungsstopper 5. Führungsloch

7. Setzen Sie den Netzfilter wieder in den Zyklonkörper ein, und richten Sie dabei die Rasten am Netzfilter auf die Öffnungen am Ansaugstutzen des Zyklonkörpers aus. Drehen Sie den Netzfilter wie in der Abbildung gezeigt, bis die Rasten mit einem Klick einrasten. Vergewissern Sie sich, dass der Netzfilter sicher installiert ist.

► **Abb.48:** 1. Netzfilter 2. Zyklonkörper 3. Raste 4. Öffnung

## Luftkanäle in der Zycloneinheit

Eindringende Fremdkörper können die Luftkanäle in der Zycloneinheit verstopfen und beladene Luftströme blockieren. Entfernen Sie alle Hindernisse im Luftweg, wenn die Saugleistung merklich beeinträchtigt wird.

1. Zerlegen Sie die Zycloneinheit in drei Teile: Staubsammelbehälter, Netzfilter und Zyclonkörper.  
**► Abb.49:** 1. Staubsammelbehälter 2. Netzfilter  
 3. Zyclonkörper 4. Staubsauger-Hauptteil

2. Drücken und halten Sie den Führungsstopper am Einlassrohr nach unten durch das Verriegelungsloch am Zyclonkörper, indem Sie das Handwerkzeug mit einer Spitze benutzen. Lösen Sie dann das Einlassrohr vom Zyclonkörper.

**► Abb.50:** 1. Einlassrohr 2. Führungsstopper  
 3. Zyclonkörper 4. Verriegelungsloch

3. Reinigen Sie die Luftkanäle von allen darin befindlichen Substanzen.

Es ist wahrscheinlich, dass sich ein Fremdkörper in der Nähe eines Lufteinlasses festsetzt.

**► Abb.51:** 1. Saugeinlass 2. Lufteinlass

4. Setzen Sie das Einlassrohr wieder ein, bis es sicher verriegelt ist.

**► Abb.52:** 1. Einlassrohr 2. Zyclonkörper 3. O-Ring  
 4. Klappenventil

**ANMERKUNG: Vergewissern Sie sich vor dem Zusammenbau, dass der O-Ring und das Klappenventil fest an ihrem Platz sind.**

Die Saugleistung kann beeinträchtigt werden, wenn die Zycloneinheit ohne den O-Ring und das Klappenventil in Betrieb genommen wird.

5. Bauen Sie die Zycloneinheit wieder zusammen, und befestigen Sie sie am Staubsauger-Hauptteil.

## Fehlersuche

Bevor Sie eine Reparatur anfordern, überprüfen Sie bitte die folgenden Punkte.

Symptom	Prüfbereich	Abhilfemaßnahmen
Schwache Saugkraft	Ist der Staubsammelbehälter oder das Innere der Zycloneinheit voller Staub?	Leeren Sie den Staubsammelbehälter oder das Innere der Zycloneinheit.
	Sind die Filter verstopft?	Entstauben oder waschen Sie Hochleistungsfilter/HEPA-Filter/Schwammplatte/Netzfilter.
	Werden die Lufteinlasskanäle durch irgend etwas blockiert?	Reinigen Sie die Lüftöffnungen und -kanäle von Staub und Fremdkörpern.
	Ist der Akku entladen?	Laden Sie den Akku auf.
Gerät funktioniert nicht	Ist der Akku entladen?	Laden Sie den Akku auf.
Geräusche und Vibrationen	Sind die Filter verstopft?	Entstauben oder waschen Sie Hochleistungsfilter/HEPA-Filter/Schwammplatte/Netzfilter.
	Werden Öffnungen oder Löcher durch irgend etwas blockiert?	Düsen, Rohre und Lüftöffnungen von jeglichem Staub und Fremdkörpern reinigen.
	Ist der Saugeinlass der Düse oder des Rohrs geschlossen?	Den Saugeinlass der Düse und des Rohrs aufdecken und öffnen.

**⚠ VORSICHT: Versuchen Sie nicht, den Staubsauger selbst zu reparieren.**

## SONDERZUBEHÖR

**⚠ VORSICHT: Die folgenden Zubehörteile oder Vorrichtungen werden für den Einsatz mit dem in dieser Anleitung beschriebenen Makita-Werkzeug empfohlen.** Die Verwendung anderer Zubehörteile oder Vorrichtungen kann eine Verletzungsgefahr darstellen. Verwenden Sie Zubehörteile oder Vorrichtungen nur für ihren vorgesehenen Zweck.

Wenn Sie weitere Einzelheiten bezüglich dieser Zubehörteile benötigen, wenden Sie sich bitte an Ihre Makita-Kundendienststelle.

- Verlängerungsrohr (gerades Rohr)
- Düse
- Düse für Teppich
- Regalbürste
- Spitzdüse
- Rundbürste

- Flexibler Schlauch
- Hochleistungsfilter
- HEPA-Filter
- Sitzdüse
- Spaltendüse
- Werkzeugtasche
- Original-Makita-Akku und -Ladegerät

**HINWEIS:** Manche Teile in der Liste können als Standardzubehör im Werkzeugsatz enthalten sein. Sie können von Land zu Land unterschiedlich sein.

## AVVERTENZA

- Questo elettrodomestico può venire utilizzato dai bambini dagli 8 anni in su, nonché da persone con capacità fisiche, sensoriali o mentali ridotte, o prive di esperienza o preparazione, qualora vengano fornite loro supervisione o istruzioni relative all'utilizzo in sicurezza dell'elettrodomestico e comprendano i pericoli che comporta.
- I bambini non devono giocare con l'elettrodomestico. La pulizia e la manutenzione da parte dell'utente non devono essere effettuate dai bambini senza supervisione.
- Per il riferimento sul tipo di batteria, vedere il capitolo "DATI TECNICI".
- Per istruzioni su come rimuovere o installare la batteria, vedere la sezione "Installazione o rimozione della cartuccia della batteria".
- Quando si intende smaltire la cartuccia della batteria, rimuoverla dall'utensile e smaltirla in un luogo sicuro. Attenersi alle normative locali relative allo smaltimento della batteria.
- Se l'utensile non viene utilizzato per un periodo di tempo prolungato, la batteria deve essere rimossa dall'utensile.
- Non cortocircuitare la cartuccia della batteria.
- Per i dettagli appropriati relativi alle precauzioni durante la manutenzione da parte dell'utente, vedere il capitolo "MANUTENZIONE".

## DATI TECNICI

<b>Modello:</b>		<b>CL003G</b>
Capacità		250 mL/400 mL (a seconda della nazione)
Utilizzo continuativo (con batteria BL4025)	1 (modalità silenziosa)	Circa 80 min
	2 (modalità a velocità normale)	Circa 40 min
	3 (modalità ad alta velocità)	Circa 25 min
	4 (modalità a velocità massima)	Circa 16 min
Lunghezza complessiva (con tubo, bocchetta e batteria BL4025)		1.106 mm
Tensione nominale		CC Da 36 V a 40 V max
Peso netto		1,9 - 2,6 kg

- A causa del nostro programma continuativo di ricerca e sviluppo, i dati tecnici sono soggetti a modifiche senza preavviso.
- I dati tecnici possono variare da nazione a nazione.
- Il peso non comprende gli accessori ma comprende la cartuccia della batteria o le cartucce delle batterie. Nella tabella sono indicati il peso combinato minimo e massimo dell'apparecchio insieme alla cartuccia della batteria o alle cartucce delle batterie.

### Cartuccia della batteria e caricabatterie applicabili

Cartuccia della batteria	BL4020* / BL4025* / BL4040* / BL4050F * : Batteria consigliata
Caricabatterie	DC40RA / DC40RB / DC40RC

- Alcune cartucce delle batterie e alcuni caricabatterie elencati sopra potrebbero non essere disponibili a seconda della propria area geografica di residenza.

**⚠ AVVERTIMENTO:** Utilizzare solo le cartucce delle batterie e i caricabatterie elencati sopra. L'utilizzo di altre cartucce delle batterie e di altri caricabatterie potrebbe causare lesioni personali e/o un incendio.

## Simboli

Le figure seguenti mostrano i simboli utilizzati per l'apparecchio. Accertarsi di comprenderne il significato prima dell'uso.



Leggere il manuale d'uso.



Una batteria rappresentativa idonea per questo prodotto.



Solo per le nazioni dell'EU  
A causa della presenza di componenti pericolosi nelle apparecchiature, i rifiuti di apparecchiature elettriche ed elettroniche, accumulatori e batterie potrebbero produrre un impatto negativo sull'ambiente e sulla salute umana. Non smaltire elettrodomestici elettrici ed elettronici o batterie insieme ai rifiuti domestici  
In conformità alla direttiva europea sui rifiuti di apparecchiature elettriche ed elettroniche (RAEE), sugli accumulatori e le batterie, nonché sui rifiuti di accumulatori e batterie, e al suo adattamento alle normative nazionali, i rifiuti di apparecchiature elettriche ed elettroniche, batterie e accumulatori vanno conservati separatamente e conferiti a un punto di raccolta separato per i rifiuti comunali, operando in conformità alle normative per la protezione dell'ambiente.  
Tale requisito viene indicato mediante il simbolo del bidone della spazzatura con ruote barrato apposto sull'apparecchio.

## Utilizzo previsto

Questo utensile è progettato per la raccolta delle polveri asciutte.

## AVVERTENZE DI SICUREZZA

### Avvertenze relative alla sicurezza dell'aspiratore a batteria

**AVVERTIMENTO: IMPORTANTE! LEGGERE CON ATTENZIONE tutte le avvertenze di sicurezza e tutte le istruzioni PRIMA DELL'USO.** La mancata osservanza delle avvertenze e delle istruzioni potrebbe risultare in scosse elettriche, incendi e/o gravi lesioni personali.

1. **Non esporlo alla pioggia. Conservarlo al chiuso.**
2. **Non consentirne l'utilizzo come giocattolo. Qualora venga utilizzato da o in prossimità di bambini, è necessaria una stretta sorveglianza.**
3. **Utilizzarlo esclusivamente nelle modalità descritte nel presente manuale. Utilizzare esclusivamente gli accessori consigliati dal produttore.**
4. **Non utilizzarlo con una batteria danneggiata. Qualora l'elettrodomestico non funzioni come previsto, sia caduto, si sia danneggiato, sia rimasto all'aperto o sia caduto in acqua, portarlo a un centro di assistenza.**

5. **Non maneggiare l'elettrodomestico con le mani bagnate.**
6. **Non inserire alcun oggetto nelle aperture. Non utilizzarlo con alcuna apertura ostruita; tenerlo libero da polvere, lanugine, capelli e qualsiasi cosa possa ridurre il flusso dell'aria.**
7. **Tenere i capelli, gli indumenti abbondanti, le dita e tutte le parti del corpo lontani dalle aperture e dalle parti mobili.**
8. **Disattivare tutti i controlli prima di rimuovere la batteria.**
9. **Fare particolarmente attenzione durante la pulizia delle scale.**
10. **Non utilizzarlo per aspirare sostanze infiammabili o combustibili, ad esempio la benzina, o in ubicazioni in cui potrebbero essere presenti.**
11. **Per la ricarica, utilizzare esclusivamente il caricabatterie fornito dal produttore.**
12. **Non aspirare oggetti che brucino o emettano fumo, quali sigarette, fiammiferi o ceneri calde.**
13. **Non utilizzarlo senza il sacchetto polveri e/o i filtri installati.**
14. **Non caricare la batteria all'aperto.**
15. **Ricaricarla esclusivamente con il caricabatterie specificato dal produttore.** Un caricabatterie idoneo a un tipo di batteria potrebbe creare un rischio di incendio, laddove venga utilizzato con una batteria di tipo diverso.
16. **Utilizzare gli elettrodomestici esclusivamente con le batterie specificamente designate.** L'utilizzo di qualsiasi altra batteria potrebbe comportare il rischio di lesioni personali e incendi.
17. **Quando la batteria non è in uso, tenerla lontana da oggetti metallici, quali graffette, monete, chiavi, chiodi, viti o altri piccoli oggetti metallici, che possono creare un contatto da un terminale all'altro.**
18. **In condizioni di uso improprio, dalla batteria potrebbe venire espulso del liquido; evitare il contatto con tale liquido. In caso di contatto accidentale con il liquido, lavare abbondantemente con acqua.**
19. **Non utilizzare una batteria o un elettrodomestico che siano danneggiati o che siano stati modificati.** Batterie danneggiate o modificate potrebbero mostrare un comportamento imprevedibile che può risultare in incendi, esplosioni o nel rischio di lesioni personali.
20. **Non esporre una batteria o un elettrodomestico al fuoco o a temperature eccessive.** L'esposizione al fuoco o a temperature superiori ai 130 °C potrebbe causare un'esplosione.
21. **Attenersi a tutte le istruzioni relative alla carica e non caricare la batteria o l'elettrodomestico al di fuori della gamma di temperature specificata nelle istruzioni.** Una carica inappropriata o a temperature al di fuori della gamma specificata potrebbe danneggiare la batteria e incrementare il rischio di incendio.

## CONSERVARE LE PRESENTI ISTRUZIONI.



## REGOLE AGGIUNTIVE PER LA SICUREZZA

Questo elettrodomestico è progettato per l'utilizzo domestico.

1. Leggere attentamente il presente manuale d'uso e il manuale d'uso del caricabatterie prima dell'uso.
2. Non aspirare i materiali seguenti:
  - Materiali caldi, quali sigarette accese e/o scintille o polveri metalliche generate dalla smerigliatura o dal taglio del metallo
  - Materiali infiammabili, quali benzina per auto, solventi, benzina per smacchiare, cherosene o vernici
  - Materiali esplosivi, ad esempio nitroglicerina
  - Materiali infiammabili, quali alluminio, zinco, magnesio, titanio, fosforo o celluloidi
  - Sporcizia bagnata, acqua, olio o simili
  - Pezzi duri con estremità affilate, quali schegge di legno, metalli, pietre, vetri, chiodi, spilli o rasi
  - Polveri che formino grumi, quali cemento o toner
  - Polveri conduttive, quali quelle metalliche o di carbonio
  - Polveri sottili, ad esempio polvere di calcestruzzo

In caso contrario, si potrebbero causare incendi, lesioni a persone e/o danni alle cose.

3. Qualora si noti una qualsiasi anomalia, interrompere immediatamente l'utilizzo.
4. Qualora si faccia cadere o si colpisca l'aspiratore, controllarlo attentamente alla ricerca di eventuali spaccature o danni, prima di utilizzarlo.
5. Non avvicinarlo a stufe/fornelli o altre fonti di calore.
6. Non ostruire il foro di aspirazione o i fori di ventilazione.

## CONSERVARE LE PRESENTI ISTRUZIONI.

### Istruzioni di sicurezza importanti per la cartuccia della batteria

1. Prima di utilizzare la cartuccia della batteria, leggere tutte le istruzioni e le avvertenze riportate (1) sul caricabatteria, (2) sulla batteria e (3) sul prodotto che utilizza la batteria.
2. Non smantellare né manomettere la cartuccia della batteria. In caso contrario, si potrebbe causare un incendio, calore eccessivo o un'esplosione.
3. Qualora il tempo di utilizzo si riduca eccessivamente, interrompere immediatamente l'utilizzo dell'utensile. In caso contrario, si può incorrere nel rischio di surriscaldamento, possibili ustioni e persino un'esplosione.

4. Qualora l'elettrolita entri in contatto con gli occhi, sciacquarli con acqua pulita e richiedere immediatamente assistenza medica. Questa eventualità può risultare nella perdita della vista.
5. Non cortocircuitare la cartuccia della batteria:
  - (1) Non toccare i terminali con alcun materiale conduttivo.
  - (2) Evitare di conservare la cartuccia della batteria in un contenitore insieme ad altri oggetti metallici quali chiodi, monete, e così via.
  - (3) Non esporre la cartuccia della batteria all'acqua o alla pioggia.Un cortocircuito della batteria può causare un grande flusso di corrente, un surriscaldamento, possibili ustioni e persino un guasto.
6. Non conservare e utilizzare l'utensile e la cartuccia della batteria in ubicazioni in cui la temperatura possa raggiungere o superare i 50 °C.
7. Non incenerire la cartuccia della batteria anche qualora sia gravemente danneggiata o completamente esaurita. La cartuccia della batteria può esplodere se a contatto con il fuoco.
8. Non inchiodare, tagliare, schiacciare, lanciare o far cadere la cartuccia della batteria, né farla urtare con forza contro un oggetto duro. Questi comportamenti potrebbero risultare in un incendio, calore eccessivo o un'esplosione.
9. Non utilizzare una batteria danneggiata.
10. Le batterie a ioni di litio contenute sono soggette ai requisiti del regolamento sul trasporto di merci pericolose (Dangerous Goods Legislation).

Per trasporti commerciali, ad esempio da parte di terzi o spedizionieri, è necessario osservare dei requisiti speciali sull'imballaggio e sull'etichetta. Per la preparazione dell'articolo da spedire, è richiesta la consulenza di un esperto in materiali pericolosi. Attenersi anche alle normative nazionali, che potrebbero essere più dettagliate. Nasturare o coprire i contatti aperti e imballare la batteria in modo tale che non si possa muovere liberamente all'interno dell'imballaggio.
11. Quando si intende smaltire la cartuccia della batteria, rimuoverla dall'utensile e smaltirla in un luogo sicuro. Attenersi alle normative locali relative allo smaltimento della batteria.
12. Utilizzare le batterie esclusivamente con i prodotti specificati da Makita. L'installazione delle batterie in prodotti non compatibili potrebbe risultare in incendi, calore eccessivo, esplosioni o perdite di liquido elettrolitico.
13. Se l'utensile non viene utilizzato per un periodo di tempo prolungato, la batteria deve essere rimossa dall'utensile.
14. Durante e dopo l'uso, la cartuccia della batteria potrebbe assorbire calore, che può causare ustioni o ustioni a bassa temperatura. Fare attenzione a come si maneggiano le cartucce delle batterie estremamente calde.

15. **Non toccare i terminali dell'utensile subito dopo l'uso, in quanto potrebbero diventare estremamente caldi al punto da causare ustioni.**
16. **Evitare di far incastrare schegge, polveri o terreno nei terminali, nei fori e nelle scanalature della cartuccia della batteria.** In caso contrario, l'utensile o la cartuccia della batteria potrebbero riscaldarsi, prendere fuoco, scoppiare o guastarsi, causando ustioni o lesioni personali.
17. **A meno che l'utensile supporti l'uso in prossimità di linee elettriche ad alta tensione, non utilizzare la cartuccia della batteria in prossimità di linee elettriche ad alta tensione.** In caso contrario, si potrebbe causare un malfunzionamento o la rottura dell'utensile o della cartuccia della batteria.
18. **Tenere la batteria lontana dai bambini.**

## CONSERVARE LE PRESENTI ISTRUZIONI.

**ATTENZIONE:** Utilizzare solo batterie originali Makita. L'utilizzo di batterie Makita non originali, o di batterie che siano state alterate, potrebbe risultare nello scoppio della batteria, causando incendi, lesioni personali e danni. Inoltre, ciò potrebbe invalidare la garanzia Makita per l'utensile e il caricabatterie Makita.

## Suggerimenti per preservare la durata massima della batteria

1. **Caricare la cartuccia della batteria prima che si scarichi completamente. Smettere sempre di utilizzare l'utensile e caricare la cartuccia della batteria quando si nota che la potenza dell'utensile è diminuita.**
2. **Non ricaricare mai una cartuccia della batteria completamente carica. La sovraccarica riduce la vita utile della batteria.**
3. **Caricare la cartuccia della batteria a una temperatura ambiente compresa tra 10 °C e 40 °C. Lasciar raffreddare una cartuccia della batteria prima di caricarla.**
4. **Quando non si utilizza la cartuccia della batteria, rimuoverla dall'utensile o dal caricabatterie.**
5. **Caricare la cartuccia della batteria se non la si è utilizzata per un periodo di tempo prolungato (più di sei mesi).**

## DESCRIZIONE DELLE FUNZIONI

**ATTENZIONE:** Accertarsi sempre che l'utensile sia spento e che la cartuccia della batteria sia stata rimossa prima di regolare o di controllare il funzionamento dell'utensile.

**ATTENZIONE:** Quando si installa la batteria, fare attenzione a non far restare incastrate le dita tra l'aspiratore e la batteria, come indicato nella figura. Qualora le dita restino incastrate, sussiste il pericolo di lesioni personali.

► Fig.1

## Installazione o rimozione della cartuccia della batteria

**ATTENZIONE:** Spegner sempre l'utensile prima di installare o rimuovere la cartuccia della batteria.

**ATTENZIONE:** Mantenere saldamente lo strumento e la batteria quando si intende installare o rimuovere la cartuccia della batteria. Qualora non si mantengano saldamente lo strumento e la cartuccia della batteria, questi ultimi potrebbero scivolare dalle mani, con la possibilità di causare un danneggiamento dello strumento e della cartuccia della batteria, nonché una lesione personale.

► Fig.2: 1. Indicatore rosso 2. Pulsante 3. Cartuccia della batteria

Per rimuovere la cartuccia della batteria, farla scorrere via dall'utensile mentre si fa scorrere allo stesso tempo il pulsante sulla parte anteriore della cartuccia.

Per installare la cartuccia della batteria, allineare la linguetta sulla cartuccia della batteria con la scanalatura nell'alloggiamento e farla scivolare in sede. Inserirla completamente fino al suo blocco in sede con un leggero scatto. Se è possibile vedere l'indicatore rosso, come indicato nella figura, non è bloccata completamente.

**ATTENZIONE:** Installare sempre fino in fondo la cartuccia della batteria, fino a quando l'indicatore rosso non è più visibile. In caso contrario, la batteria potrebbe cadere accidentalmente dall'utensile, causando lesioni personali all'operatore o a chi gli è vicino.

**ATTENZIONE:** Non installare forzatamente la cartuccia della batteria. Qualora la batteria non si inserisca scorrendo agevolmente, vuol dire che non viene inserita correttamente.

## Sistema di protezione della batteria

L'utensile è dotato di un sistema di protezione dell'utensile e della batteria. Questo sistema interrompe automaticamente l'alimentazione al motore per prolungare la vita utile dell'utensile e della batteria. L'utensile si arresta automaticamente durante il funzionamento qualora l'utensile stesso o la batteria si trovino in una delle condizioni seguenti.

### Sovraccarico:

L'utensile o la batteria vengono utilizzati in modo tale da causare un assorbimento di corrente elevato in modo anomalo da parte dell'utensile o della batteria stessi. In questa situazione, spegnere l'utensile e interrompere l'applicazione che ha causato il sovraccarico dell'utensile. Quindi, accendere l'utensile per ricominciare. Qualora l'utensile non si avvii, l'utensile o la batteria sono surriscaldati. In questa circostanza, lasciar raffreddare l'utensile o la batteria, prima di riaccendere l'utensile.

### Bassa tensione della batteria:

La carica residua della batteria è troppo bassa e non è possibile utilizzare l'utensile. In tal caso, rimuovere e ricaricare la batteria.

### Protezioni da altre cause:

Il sistema di protezione è progettato anche per altre cause che potrebbero danneggiare l'utensile, e consente all'utensile di arrestarsi automaticamente. Adottare tutte le misure seguenti per rimuovere le cause, quando l'utensile è stato portato a un'interruzione temporanea o a un arresto del funzionamento.

1. Spegnere l'utensile, quindi riaccenderlo per ricominciare.
2. Caricare la batteria o le batterie, o sostituirla/sostituirla con una batteria o delle batterie ricaricate.
3. Lasciar raffreddare l'utensile e la batteria o le batterie.

Qualora non si riscontri alcun miglioramento ripristinando il sistema di protezione, contattare il proprio centro di assistenza locale Makita.

## Indicazione della carica residua della batteria

Premere il pulsante di controllo sulla cartuccia della batteria per indicare la carica residua della batteria. Gli indicatori luminosi si illuminano per alcuni secondi.

► **Fig.3:** 1. Indicatori luminosi 2. Pulsante di controllo

Indicatori luminosi			Carica residua
■ Illuminato	□ Spento	◐ Lampeggiante	
■ ■ ■ ■			Dal 75% al 100%
■ ■ ■ □			Dal 50% al 75%
■ ■ □ □			Dal 25% al 50%
■ □ □ □			Dallo 0% al 25%
◐ □ □ □			Caricare la batteria.
■ ■ □ □ ↑ ↓ □ □ ■ ■			La batteria potrebbe essersi guastata.

**NOTA:** A seconda delle condizioni d'uso e della temperatura ambiente, l'indicazione potrebbe variare leggermente rispetto alla carica effettiva.

**NOTA:** Il primo indicatore luminoso (all'estremità sinistra) lampeggia quando il sistema di protezione della batteria è in funzione.

## Funzionamento dell'interruttore

► **Fig.4:** 1. Pulsante di variazione della potenza di aspirazione 2. Pulsante di accensione/spengimento

Per avviare l'aspiratore, è sufficiente premere il pulsante di accensione/spengimento. Per spegnerlo, premere di nuovo il pulsante di accensione/spengimento. È possibile cambiare la potenza di aspirazione dell'aspiratore su quattro livelli, premendo il pulsante di variazione della potenza di aspirazione. Ciascuna pressione su questo pulsante attiva ciclicamente la modalità silenziosa/normale/alta velocità/massima velocità.

Livello	Indicazione	Modalità
1	☰	Modalità silenziosa
2	☷	Modalità a velocità normale
3	☶	Modalità ad alta velocità
4	☵	Modalità a velocità massima

**NOTA:** È possibile cambiare la potenza di aspirazione prima di accendere l'aspiratore.

**NOTA:** L'aspiratore inizia a funzionare con la stessa potenza di aspirazione dell'ultimo utilizzo.

## Illuminazione della lampada

**ATTENZIONE:** Non osservare né guardare direttamente la fonte di luce.

Per accendere la lampada, premere il pulsante di variazione della potenza di aspirazione. La lampada si spegne dopo circa 10 secondi.

Mentre l'aspiratore è in funzione, la lampada si accende.

La lampada si spegne circa 10 secondi dopo l'arresto del funzionamento.

**NOTA:** Quando la carica residua della batteria diventa bassa, la lampada inizia a lampeggiare. La tempistica con cui la lampada inizia a lampeggiare dipende dalla temperatura della sede di lavoro e dalle condizioni della cartuccia della batteria.

► **Fig.5:** 1. Pulsante di variazione della potenza di aspirazione 2. Pulsante di accensione/spengimento 3. Lampadina

# DESCRIZIONE DELLE PARTI

Specifica in base alla nazione

► Fig.6

1	Contenitore polveri da 250 mL (accessorio opzionale)	2	Contenitore polveri da 400 mL (accessorio opzionale)	3	Filtro a rete	4	Corpo ciclonico
5	Filtro ad alte prestazioni (telaio del filtro in colore grigio) (accessorio opzionale)	6	Filtro HEPA (telaio del filtro in colore bianco) (accessorio opzionale)	7	Foglio di spugna	8	Corpo dell'aspiratore
9	Cinghietta da polso (specifica in base alla nazione)	-	-	-	-	-	-

## MONTAGGIO

**ATTENZIONE:** Accertarsi sempre che l'utensile sia spento e che la cartuccia della batteria sia stata rimossa, prima di effettuare qualsiasi intervento sull'utensile.

**AVVISO:** Prima dell'uso, accertarsi che tutti gli accessori e i componenti siano fissati in sede.

### Installazione e rimozione degli accessori dell'aspiratore

**ATTENZIONE:** Dopo aver installato gli accessori, verificare se siano installati saldamente. Qualora gli accessori non siano installati perfettamente, potrebbero staccarsi e causare lesioni personali.

**ATTENZIONE:** Quando si intende rimuovere gli accessori, fare attenzione a non colpire con la mano le pareti, e così via.

### Quando si intende utilizzare un accessorio dotato di funzione di blocco

Per installare l'accessorio, inserirlo nella presa di aspirazione dell'aspiratore fino a sentire uno scatto. Accertarsi che l'accessorio sia bloccato.

► Fig.7: 1. Presa di aspirazione 2. Accessorio dotato di funzione di blocco 3. Gancio

**AVVISO:** Quando si intende installare un accessorio dotato di funzione di blocco, accertarsi di allineare il pulsante di sblocco sull'aspiratore con il gancio sull'accessorio. Qualora non siano allineati, l'accessorio non viene bloccato, e potrebbe staccarsi dall'aspiratore.

Per rimuovere un accessorio, tirarlo via dall'aspiratore mentre si tengono premuti i bracci del pulsante di sblocco.

► Fig.8: 1. Pulsante di sblocco 2. Braccio del pulsante di sblocco 3. Accessorio dotato di funzione di blocco 4. Presa di aspirazione

### Quando si intende utilizzare un accessorio privo di funzione di blocco

**AVVISO:** Per installare un accessorio privo di funzione di blocco, inserirlo nella presa di aspirazione dell'aspiratore ruotandolo come indicato nella figura. Per staccare l'accessorio, sganciarlo dall'aspiratore ruotandolo come indicato nella figura. Evitare di ruotare l'accessorio nella direzione opposta a quella della freccia nella figura, in quanto potrebbe allentare l'unità ciclonica.

► Fig.9

## FUNZIONAMENTO

**ATTENZIONE:** Durante l'utilizzo dell'aspiratore, non avvicinare il viso all'apertura di ventilazione. Qualora dei corpi estranei vengano soffiati negli occhi, potrebbero causare lesioni personali.

**AVVISO:** Evitare di utilizzare l'aspiratore in una posizione orizzontale o rivolta verso l'alto. In caso contrario, si potrebbe causare l'intasamento del filtro a rete.

**AVVISO:** Utilizzare sempre l'aspiratore con i filtri installati. L'utilizzo dell'aspiratore senza filtri potrebbe risultare in un malfunzionamento del motore.

**AVVISO:** Svuotare il contenitore polveri nell'unità ciclonica quando le polveri si sono accumulate. In caso contrario, l'utilizzo continuato risulta in una forza di aspirazione ridotta.

L'unità ciclonica contribuisce a ridurre la quantità di polveri che entrano nell'aspiratore, migliorando le prestazioni di aspirazione con uno smaltimento semplice e facile delle polveri.

## Pulizia (aspirazione)

### Bocchetta

*Solo con contenitore polveri da 250 mL*

Montare la bocchetta per pulire tavoli, scrivanie, mobili, e così via. La bocchetta si inserisce facilmente infilandola.

► **Fig.10:** 1. Bocchetta

### Bocchetta + prolunga (tubo diritto)

La prolunga si inserisce tra la bocchetta e l'aspiratore stesso. Questa disposizione è comoda per pulire i pavimenti restando in posizione eretta.

► **Fig.11:** 1. Corpo dell'aspiratore 2. Prolunga 3. Bocchetta

### Bocchetta per angoli

Montare la bocchetta per angoli per la pulizia degli angoli e degli interstizi di automobili o mobili.

► **Fig.12:** 1. Bocchetta per angoli 2. Corpo dell'aspiratore

È possibile riporre la bocchetta per angoli nel supporto per la bocchetta.

► **Fig.13:** 1. Supporto per la bocchetta 2. Bocchetta per angoli

**ATTENZIONE:** Fare attenzione a non far restare incastrate le dita tra la bocchetta per angoli e il supporto per la bocchetta. Qualora le dita restino incastrate, sussiste il pericolo di lesioni personali.

### Bocchetta per angoli + prolunga (tubo diritto)

Utilizzare questa disposizione in spazi ristretti in cui non sia possibile infilare l'aspiratore stesso o in ubicazioni elevate difficili da raggiungere.

► **Fig.14:** 1. Bocchetta per angoli 2. Prolunga 3. Corpo dell'aspiratore

### Pulizia senza la bocchetta

*Solo con contenitore polveri da 250 mL*

È possibile aspirare le polveri senza la bocchetta.

► **Fig.15**

Per aspirare le polveri su un pavimento restando in piedi, è comodo montare la prolunga (tubo diritto) sull'aspiratore.

► **Fig.16:** 1. Prolunga

## Smaltimento delle polveri

**ATTENZIONE:** Svuotare l'aspiratore prima che diventi troppo pieno; in caso contrario, la forza di aspirazione si riduce.

**ATTENZIONE:** Fare attenzione a non far restare intrappolate le dita tra il contenitore polveri e il corpo ciclonico, durante il riassetto.

Smaltire le polveri accumulate nel modo seguente, prima che superino la linea di smaltimento delle polveri.

1. Puntare la testa dell'aspiratore verso il basso, afferrare saldamente il contenitore polveri, quindi staccarlo tirandolo dal corpo ciclonico, tenendo premuti al tempo stesso i pulsanti di sblocco su entrambi i lati del contenitore polveri.

► **Fig.17:** 1. Linea di smaltimento delle polveri 2. Contenitore polveri 3. Pulsanti di sblocco 4. Filtro a rete

2. Svuotare il contenitore polveri e pulire via dal filtro a rete le polveri aderite.

► **Fig.18**

3. Riapplicare il contenitore polveri sul corpo ciclonico per fissarlo in sede con degli scatti.

► **Fig.19:** 1. Contenitore polveri 2. Pulsanti di sblocco 3. Corpo ciclonico

**ATTENZIONE:** Quando le polveri vengono smaltite dal contenitore polveri, potrebbero volare verso l'alto. Fare attenzione a non consentire che le polveri finiscano negli occhi.

**AVVISO:** Quando il contenitore polveri diventa sporco, rimuoverlo e lavarlo con acqua. Far asciugare completamente il contenitore polveri prima di riassetto e utilizzarlo.

**AVVISO:** Prima dell'uso, accertarsi che tutti gli accessori e i componenti siano fissati in sede.

**AVVISO:** Qualora la forza di aspirazione non venga recuperata anche dopo aver smaltito le polveri e aver pulito il filtro a rete, controllare se le polveri si siano accumulate all'interno del corpo ciclonico o se si sia verificato un intasamento.

## MANUTENZIONE

**ATTENZIONE:** Accertarsi sempre che l'utensile sia spento e che la cartuccia della batteria sia stata rimossa prima di tentare di eseguire interventi di ispezione o manutenzione.

**AVVISO:** Non utilizzare mai benzina, benzene, solventi, alcol o altre sostanze simili. In caso contrario, si potrebbero causare scolorimenti, deformazioni o crepe.

Per preservare la SICUREZZA e l'AFFIDABILITÀ del prodotto, le riparazioni e qualsiasi altro intervento di manutenzione o di regolazione devono essere eseguiti da centri di assistenza autorizzati Makita, utilizzando sempre ricambi Makita.

## Dopo l'uso

**ATTENZIONE:** Se si appoggia l'aspiratore contro una parete senza alcun altro sostegno, si potrebbe causare la caduta dell'aspiratore, causando lesioni personali o danni all'aspiratore stesso.

► Fig.20

## Manutenzione regolare

**AVVISO:** Pulire i filtri nell'unità ciclonica quando diventano intasati. L'utilizzo continuato nella condizione di intasamento potrebbe risultare in un riscaldamento o in un malfunzionamento del motore.

**AVVISO:** Non soffiare via la polvere che aderisce all'aspiratore e ai filtri utilizzando bombolette anti-polvere ad aria compressa. Queste ultime fanno penetrare la polvere all'interno dell'alloggiamento e causano guasti.

Per ripristinare le normali condizioni di utilizzo, è necessaria una manutenzione di routine.

## Corpo dell'aspiratore

Pulire la superficie esterna dell'aspiratore (corpo dell'aspiratore) utilizzando un panno inumidito con acqua saponata, e pulire completamente le aperture di aspirazione.

► Fig.21

## Unità ciclonica e filtri

**AVVISO:** Spolverare e pulire completamente l'interno dell'unità ciclonica e dei filtri quando le prestazioni di aspirazione diventano meno efficaci, indipendentemente dalla quantità di polveri raccolte nel contenitore polveri.

**AVVISO:** Dopo aver lavato i filtri, asciugarli completamente prima dell'uso. Filtri non asciugati a sufficienza potrebbero causare un'aspirazione scadente e ridurre la vita utile del motore.

**AVVISO:** Dopo la pulizia dei filtri e del foglio di spugna, accertarsi di reinstallarli prima dell'uso. Qualora si utilizzi l'aspiratore senza i filtri e il foglio di spugna, le polveri penetrano nell'alloggiamento del motore e causano malfunzionamenti.

## Unità ciclonica

1. Dare svariate volte dei colpetti con la mano all'unità ciclonica, per rimuovere le polveri aderite alla superficie interna dell'unità ciclonica e del filtro.

► Fig.22: 1. Unità ciclonica

2. Con la presa di aspirazione rivolta verso il basso, ruotare l'unità ciclonica come indicato nella figura, allineando l'indicatore sull'unità ciclonica con quello sul corpo dell'aspiratore per sganciare il blocco. Quindi, staccare l'unità ciclonica dal corpo dell'aspiratore lentamente e tenerla dritta.

► Fig.23: 1. Unità ciclonica 2. Presa di aspirazione 3. Indicatori 4. Filtro

**NOTA:** Quando si smonta l'unità ciclonica, le polveri potrebbero volare fuori. Si consiglia di mettere un sacco della spazzatura sotto l'unità ciclonica.

3. Spolverare l'interno dell'unità ciclonica e del filtro.  
► Fig.24

4. Riposizionare l'unità ciclonica sul corpo dell'aspiratore, allineando l'indicatore sull'unità ciclonica con quello sul corpo dell'aspiratore. Quindi, ruotare l'unità ciclonica come indicato nella figura, fino a fissarla in sede.

► Fig.25: 1. Unità ciclonica 2. Corpo dell'aspiratore 3. Indicatori

## Filtro ad alte prestazioni

### Accessorio opzionale

1. Smontare l'unità ciclonica dal corpo dell'aspiratore.

2. Afferrare l'estremità di montaggio del filtro ad alte prestazioni e staccare quest'ultimo tirandolo dal corpo dell'aspiratore.

► Fig.26: 1. Filtro ad alte prestazioni 2. Corpo dell'aspiratore

3. Pulire e scuotere via con le mani le polveri dal filtro ad alte prestazioni.

► Fig.27

4. Lavare il filtro ad alte prestazioni in acqua saponata quando è intasato da polveri e sporco. Asciugarlo completamente all'ombra prima dell'uso.

► Fig.28

**NOTA:** Quando si appende il filtro ad alte prestazioni per farlo asciugare, evitare di fissarne l'estremità di montaggio (anello della guarnizione in gomma).

5. Afferrare l'estremità di montaggio del filtro ad alte prestazioni e reinserire quest'ultimo premendolo nel corpo dell'aspiratore.

► Fig.29: 1. Filtro ad alte prestazioni 2. Corpo dell'aspiratore

## Filtro HEPA

### Accessorio opzionale

**AVVISO:** Non strofinare né graffiare il filtro HEPA con oggetti duri, quali spazzole o spatole.

1. Smontare l'unità ciclonica dal corpo dell'aspiratore.

2. Afferrare l'estremità di montaggio del filtro HEPA (coperto dal prefiltro ad alte prestazioni) e staccarlo tirandolo dal corpo dell'aspiratore.

► Fig.30: 1. Filtro HEPA (coperto dal prefiltro ad alte prestazioni) 2. Corpo dell'aspiratore

3. Smontare il prefiltro ad alte prestazioni dal filtro HEPA ruotandolo con la mano.

► Fig.31: 1. Prefiltro ad alte prestazioni 2. Filtro HEPA

4. Pulire e scuotere via con le mani le polveri dal prefiltro ad alte prestazioni e dal filtro HEPA.

► Fig.32

5. Lavare il prefiltro ad alte prestazioni e il filtro HEPA in acqua saponata. Sciacquare e asciugarli completamente all'ombra prima dell'uso.

► Fig.33

**NOTA:** Quando si appende il filtro HEPA per farlo asciugare, evitare di fissarne l'estremità di montaggio (anello della guarnizione in gomma).

6. Montare il prefiltro ad alte prestazioni sul filtro HEPA.  
▶ **Fig.34:** 1. Prefiltro ad alte prestazioni 2. Filtro HEPA
7. Afferrare l'estremità di montaggio del filtro HEPA (coperta dal prefiltro ad alte prestazioni) e reinserirlo premendolo nel corpo dell'aspiratore.  
▶ **Fig.35:** 1. Filtro HEPA (coperto dal prefiltro ad alte prestazioni) 2. Corpo dell'aspiratore

## Foglio di spugna

1. Smontare l'unità ciclonica dal corpo dell'aspiratore.
2. Afferrare l'estremità di montaggio del filtro e staccarlo tirandolo dal corpo dell'aspiratore.  
▶ **Fig.36:** 1. Filtro 2. Corpo dell'aspiratore
3. Tirare il foglio di spugna per staccarlo dall'apertura di aspirazione.  
▶ **Fig.37:** 1. Foglio di spugna 2. Apertura di aspirazione
4. Pulire e scuotere via con le mani le polveri dal foglio di spugna.  
▶ **Fig.38**
5. Lavare il foglio di spugna in acqua saponata quando è intasato da polveri e sporco. Asciugarlo completamente all'ombra prima dell'uso.  
▶ **Fig.39**
6. Riapplicare il foglio di spugna nella posizione originale. Accertarsi che i bordi sinistro e destro del foglio di spugna siano fissati dai fermi, e che non vi sia alcuno spazio tra il foglio di spugna e l'apertura di aspirazione.  
▶ **Fig.40:** 1. Foglio di spugna 2. Fermo 3. Apertura di aspirazione
7. Afferrare l'estremità di montaggio del filtro e reinserirlo premendolo nel corpo dell'aspiratore.  
▶ **Fig.41:** 1. Filtro 2. Corpo dell'aspiratore

## Manutenzione in base alle condizioni

**AVVISO:** Pulire il filtro a rete nell'unità ciclonica quando entrambi si intasano. L'utilizzo continuato nella condizione di intasamento potrebbe risultare in un riscaldamento o in un malfunzionamento del motore.

È necessario eseguire la pulizia profonda e quella salutare in base alle prestazioni del proprio utensile.

## Filtro a rete

Quando il contenitore polveri diventa sporco o il filtro a rete è intasato, rimuoverli e lavarli con acqua. (Per la procedura di rimozione, fare riferimento a "Smaltimento delle polveri").

1. Afferrare saldamente il contenitore polveri e staccarlo tirandolo dal corpo ciclonico, tenendo premuti al tempo stesso i pulsanti di sblocco su entrambi i lati del contenitore polveri.  
▶ **Fig.42:** 1. Contenitore polveri 2. Corpo ciclonico 3. Pulsanti di sblocco

2. Ruotare il filtro a rete come indicato nella figura per sganciare il blocco. Quindi, staccarlo dal corpo ciclonico.

▶ **Fig.43:** 1. Filtro a rete

3. Disassemblare il filtro a rete in tre componenti: prefiltro, filtro tubolare di spugna e tubo a rete.

- i Premere lateralmente l'uno contro l'altro i fermi guida sul lato superiore del tubo a rete.
- ii Far passare i fermi guida verso il basso attraverso il foro guida sul lato superiore del prefiltro.
- iii Tirare il prefiltro lungo il filtro tubolare di spugna e il tubo a rete.
- iv Rimuovere il filtro tubolare di spugna dal tubo a rete.  
▶ **Fig.44:** 1. Prefiltro 2. Filtro tubolare di spugna 3. Tubo a rete 4. Fermi guida 5. Foro guida

4. Pulire e scuotere via con le mani le polveri dai filtri e dal tubo a rete.

▶ **Fig.45**

5. Lavare i filtri e il tubo a rete in acqua saponata quando sono intasati di polveri e sporco. Prima dell'uso, farli asciugare completamente all'ombra.

▶ **Fig.46**

6. Riasssemblare il filtro a rete.

- i Inserire il filtro tubolare di spugna nel prefiltro.
- ii Inserire il tubo a rete nel filtro tubolare di spugna e nel prefiltro, facendo passare i fermi guida sul lato superiore del tubo a rete attraverso il foro guida sul lato superiore del prefiltro.
- iii Spingere il tubo a rete attraverso il filtro tubolare di spugna e il prefiltro, fino a innestarlo in sede con uno scatto.  
▶ **Fig.47:** 1. Prefiltro 2. Filtro tubolare di spugna 3. Tubo a rete 4. Fermi guida 5. Foro guida

7. Rimontare il filtro a rete nel corpo ciclonico, allineando i ganci sul filtro a rete con le aperture sull'uscita di aspirazione del corpo ciclonico. Ruotare il filtro a rete come indicato nella figura, fino a quando i ganci si bloccano con uno scatto. Accertarsi che il filtro a rete sia installato saldamente.

▶ **Fig.48:** 1. Filtro a rete 2. Corpo ciclonico 3. Gancio 4. Apertura

## Canali dell'aria nell'unità ciclonica

I corpi estranei in entrata potrebbero ostruire i canali dell'aria nell'unità ciclonica e gravare sui flussi d'aria. Rimuovere eventuali ostacoli sul percorso dell'aria, qualora le prestazioni di aspirazione risultino notevolmente compromesse.

1. Disassemblare l'unità ciclonica in tre componenti: contenitore polveri, filtro a rete e corpo ciclonico.

▶ **Fig.49:** 1. Contenitore polveri 2. Filtro a rete 3. Corpo ciclonico 4. Corpo dell'aspiratore

2. Premere e tenere premuto il fermo guida sul tubo di entrata verso il basso, attraverso il foro di bloccaggio sul corpo ciclonico, utilizzando lo strumento manuale a punta. Quindi, staccare il tubo di entrata dal corpo ciclonico.

▶ **Fig.50:** 1. Tubo di entrata 2. Fermo guida 3. Corpo ciclonico 4. Foro di bloccaggio

3. Pulire via eventuali sostanze trovate nei canali dell'aria.

È probabile che un corpo estraneo resti incastrato intorno a un'apertura per l'aria in ingresso.

► **Fig.51:** 1. Presa di aspirazione 2. Apertura per l'aria in ingresso

4. Reinserire il tubo di entrata in sede, fino a bloccarlo saldamente.

► **Fig.52:** 1. Tubo di entrata 2. Corpo ciclonico  
3. Guarnizione circolare 4. Valvola a cerniera

**AVVISO:** Prima del riassetto, accertarsi che la guarnizione circolare e la valvola a cerniera siano saldamente in sede. Le prestazioni di aspirazione possono venire compromesse, qualora l'unità ciclonica venga fatta funzionare senza la guarnizione circolare e la valvola a cerniera in sede.

5. Riasssemblare l'unità ciclonica e montarla sul corpo dell'aspiratore.

## Risoluzione dei problemi

Prima di richiedere riparazioni, controllare i punti seguenti.

Sintomo	Area da controllare	Metodo di correzione del problema
Forza di aspirazione debole	Il contenitore polveri o l'interno dell'unità ciclonica sono pieni di polveri?	Svuotare il contenitore polveri o l'interno dell'unità ciclonica.
	I filtri sono intasati?	Spolverare o lavare il filtro ad alte prestazioni, il filtro HEPA, il foglio di spugna o il filtro a rete.
	Qualcosa ostruisce i canali dell'aria in ingresso?	Pulire via eventuali polveri e oggetti dalle aperture d'aria e dai canali.
	La cartuccia della batteria è scarica?	Caricare la cartuccia della batteria.
Mancato funzionamento	La cartuccia della batteria è scarica?	Caricare la cartuccia della batteria.
Rumori e vibrazioni	I filtri sono intasati?	Spolverare o lavare il filtro ad alte prestazioni, il filtro HEPA, il foglio di spugna o il filtro a rete.
	Qualcosa ostruisce le aperture o i fori?	Pulire via eventuali polveri e oggetti da bocchette, tubi e aperture d'aria.
	La presa di aspirazione di una bocchetta o di un tubo è chiusa?	Scoprire e aprire la presa di aspirazione della bocchetta e del tubo.

**ATTENZIONE:** Non tentare di riparare l'aspiratore da soli.

## ACCESSORI OPZIONALI

**ATTENZIONE:** Questi accessori o componenti aggiuntivi sono consigliati per l'uso con l'utensile Makita specificato nel presente manuale. L'impiego di altri accessori o componenti aggiuntivi può costituire un rischio di lesioni alle persone. Utilizzare gli accessori o i componenti aggiuntivi solo per il loro scopo prefissato.

Per ottenere ulteriori dettagli relativamente a questi accessori, rivolgersi a un centro di assistenza Makita.

- Prolunga (tubo diritto)
- Bocchetta
- Bocchetta per tappeti
- Spazzola per scaffali
- Bocchetta per angoli
- Spazzola rotonda
- Tubo flessibile
- Filtro ad alte prestazioni
- Filtro HEPA
- Bocchetta per sedute
- Bocchetta per fessure
- Borsa dell'utensile
- Batteria e caricatori originali Makita

**NOTA:** Alcuni articoli nell'elenco potrebbero essere inclusi nell'imballaggio dell'utensile come accessori standard. Tali articoli potrebbero variare da nazione a nazione.



## WAARSCHUWING

- Dit apparaat mag worden gebruikt door kinderen van 8 jaar en ouder of door personen met beperkte fysieke, zintuiglijke of verstandelijke vermogens of gebrek aan ervaring of kennis van zaken, maar alleen onder toezicht of na instructie in veilig gebruik van het apparaat, met begrip van de eventuele risico's.
- Kinderen mogen niet met het apparaat spelen. Reinigen en onderhoud van het apparaat mag niet door kinderen worden verricht, tenzij onder toezicht.
- Zie het hoofdstuk "TECHNISCHE GEGEVENS" voor de typeaanduiding van de accu.
- Zie het hoofdstuk "De accu aanbrengen en verwijderen" voor hoe u de accu kunt aanbrengen en verwijderen.
- Wanneer u de accu wilt weggooien, verwijdert u de accu vanaf het gereedschap en gooit u hem op een veilige manier weg. Volg bij het weggooien van de accu de plaatselijke voorschriften.
- Als u het gereedschap gedurende een lange tijd niet denkt te gaan gebruiken, moet de accu vanaf het gereedschap worden verwijderd.
- Voorkom kortsluiting van de accu.
- Zie het hoofdstuk "ONDERHOUD" voor de benodigde informatie over de voorzorgsmaatregelen tijdens onderhoud door de gebruiker.

## TECHNISCHE GEGEVENS

<b>Model:</b>		<b>CL003G</b>
Inhoud		250 ml / 400 ml (afhankelijk van het land)
Continu gebruik (met accu BL4025)	1 (stand voor stille werking)	Ong. 80 min
	2 (stand voor normale snelheid)	Ong. 40 min
	3 (stand voor hoge snelheid)	Ong. 25 min
	4 (stand voor maximale snelheid)	Ong. 16 min
Totale lengte (met buis, mondstuk en accu BL4025)		1.106 mm
Nominale spanning		D.C. 36 V - 40 V max
Nettogewicht		1,9 - 2,6 kg

- In verband met ononderbroken research en ontwikkeling, behouden wij ons het recht voor de bovenstaande technische gegevens zonder voorafgaande kennisgeving te wijzigen.
- De technische gegevens kunnen van land tot land verschillen.
- Het gewicht is exclusief bijgeleverde accessoires, maar inclusief de accu('s). Het laagste en hoogste gecombineerde gewicht van het apparaat en de accu('s) wordt vermeld in de tabel.

### Toepasselijke accu's en laders

Accu	BL4020* / BL4025* / BL4040* / BL4050F * : Aanbevolen accu
Lader	DC40RA / DC40RB / DC40RC

- Sommige van de hierboven vermelde accu's en laders zijn mogelijk niet leverbaar afhankelijk van waar u woont.

**⚠ WAARSCHUWING:** Gebruik uitsluitend de accu's en laders die hierboven worden genoemd. Gebruik van enige andere accu of lader kan leiden tot letsel en/of brand.

## Symbolen

Hieronder staan de symbolen die voor het gereedschap kunnen worden gebruikt. Zorg ervoor dat u de betekenis ervan kent voordat u het gereedschap gaat gebruiken.



Lees de gebruiksaanwijzing.



Een representatieve accu geschikt voor dit product.



Ni-MH  
Li-Ion

Alleen voor EU-landen  
Als gevolg van de aanwezigheid van schadelijke componenten in het apparaat, kunnen oude elektrische en elektronische apparaten, accu's en batterijen negatieve gevolgen hebben voor het milieu en de gezondheid van mensen.  
Gooi elektrische en elektronische apparaten en accu's niet met het huisvuil weg!  
In overeenstemming met de Europese richtlijn inzake oude elektrische en elektronische apparaten en inzake accu's en batterijen en oude accu's en batterijen, alsmede de toepassing daarvan binnen de nationale wetgeving, dienen oude elektrische apparaten, accu's en batterijen gescheiden te worden opgeslagen en te worden ingeleverd bij een apart inzamelingspunt voor huishoudelijk afval dat de milieubeschermingsvoorschriften in acht neemt. Dit wordt op het apparaat aangegeven door het symbool van een doorgekruiste afvalcontainer.

## Gebruiksdoeleinden

Het gereedschap is bedoeld om droog stof te verzamelen.

## VEILIGHEIDSWAARSCHUWINGEN

### Veiligheidswaarschuwingen voor accustofzuigers

**WAARSCHUWING: BELANGRIJK! LEES VÓÓR GEBRUIK alle veiligheidswaarschuwingen en alle instructies ZORGVULDIG DOOR.** Het niet volgen van de waarschuwingen en instructies kan leiden tot elektrische schokken, brand en/of ernstig letsel.

1. **Stel niet bloot aan regen. Bewaar binnenshuis.**
2. **Sta niet toe dat er mee gespeeld wordt. Let goed op bij gebruik door of in de buurt van kinderen.**
3. **Gebruik uitsluitend zoals beschreven in deze gebruiksaanwijzing. Gebruik uitsluitend hulpstukken aanbevolen door de fabrikant.**
4. **Gebruik nooit met een beschadigde accu. Als het apparaat niet werkt zoals het zou moeten werken, is gevallen, is beschadigd, buiten heeft gelegen of in het water is gevallen, stuurt u het terug naar een servicecentrum.**
5. **Hanteer het apparaat niet met natte handen.**

6. **Steek geen voorwerpen in de openingen. Gebruik het apparaat niet wanneer een opening verstopt zit, houd het apparaat vrij van stof, pluizen, haar en alles wat de luchtdoorstroming kan hinderen.**
7. **Houd haar, loshangende kleding, vingers en alle lichaamsdelen uit de buurt van de openingen en bewegende delen.**
8. **Schakel alle bedieningselementen uit alvorens de accu eraf te halen.**
9. **Wees extra voorzichtig bij het stofzuigen op een trap.**
10. **Zuig geen ontvlambare of brandbare vloeistoffen, zoals benzine, op en gebruik het apparaat niet op plaatsen waar deze aanwezig kunnen zijn.**
11. **Gebruik voor het opladen uitsluitend de acculader die door de fabrikant werd geleverd.**
12. **Zuig niets op dat brandt of rookt, zoals sigaretten, lucifers of hete as.**
13. **Gebruik het apparaat niet zonder dat de stofzak en/of filters zijn aangebracht.**
14. **Laad de accu niet buitenshuis op.**
15. **Laad uitsluitend op met de acculader die wordt gespecificeerd door de fabrikant. Een acculader die geschikt is voor een bepaald type accu, kan brandgevaar opleveren indien gebruikt met een ander type accu.**
16. **Gebruik apparaten uitsluitend met de daarvoor bestemde accu's. Gebruik van andere accu's kan gevaar voor letsel of brandgevaar opleveren.**
17. **Als de accu niet wordt gebruikt, houdt u deze uit de buurt van metalen voorwerpen zoals paperclips, muntgeld, sleutels, spijkers, schroeven en andere kleine metalen voorwerpen die een kortsluiting kunnen veroorzaken tussen de accupolen.**
18. **Onder zware gebruiksomstandigheden kan vloeistof uit de accu komen. Voorkom aanraking. Als aanraking per ongeluk zich voordoet, spoelt u met water.**
19. **Gebruik geen accu of apparaat die/dat beschadigd of gewijzigd is. Beschadigde of gewijzigde accu's kunnen onvoorspelbaar gedrag vertonen dat kan leiden tot brand, explosie of gevaar van letsel.**
20. **Stel een accu of apparaat niet bloot aan vuur of buitensporige temperaturen. Blootstelling aan vuur of temperaturen hoger dan 130 °C kunnen een explosie veroorzaken.**
21. **Volg alle oplaadinstructies en laad de accu of het apparaat niet op buiten het temperatuurbereik vermeld in de instructies. Verkeerd opladen of bij een temperatuur buiten het vermelde bereik, kan de accu beschadigen en de kans op brand vergroten.**

## BEWAAR DEZE INSTRUCTIES.

## AANVULLENDE VEILIGHEIDSVORSCHRIFTEN

Dit apparaat is bedoeld voor huishoudelijk gebruik.

1. **Lees deze gebruiksaanwijzing en die van de acculader voor gebruik aandachtig door.**

2. **Zuig de volgende stoffen niet op:**
  - Hete stoffen, zoals brandende sigaretten of gloeiend hete metaaldeeltjes veroorzaakt door het schuren/slijpen van metaal
  - Brandbare stoffen, zoals benzine, thinner, wasbenzine, kerosine of verf
  - Explosieve stoffen, zoals nitroglycerine
  - Ontvlambare stoffen, zoals aluminium, zink, magnesium, titanium, fosfor of celluloid
  - Nat vuil, water, olie en dergelijk
  - Harde stukjes met scherpe randen, zoals houtsnippers, metaaldeeltjes, steentjes, glasstukjes, spijkers, punaises of scheermesjes
  - Poeder dat klontert, zoals cement of toner
  - Geleidend stof, zoals metaalvijsel of koolstofpoeder
  - Zeer fijn stof, zoals cementpoeder

Een dergelijk gebruik kan leiden tot brand, persoonlijk letsel en/of materiële schade.
3. **Stop onmiddellijk met het gebruik als u iets abnormaals opmerkt.**
4. **Als u de stofzuiger laat vallen of ergens tegenaan stoot, controleert u zorgvuldig op barsten of beschadigingen voordat u deze weer gebruikt.**
5. **Houd uit de buurt van fornuizen en verwarmingsbronnen.**
6. **Blokkeer de inlaatopening en de ventilatieopeningen niet.**
6. **Bewaar en gebruik het gereedschap en de accu niet op plaatsen waar de temperatuur kan oplopen tot 50 °C of hoger.**
7. **Werp de accu nooit in het vuur, ook niet wanneer hij zwaar beschadigd of volledig versleten is. De accu kan ontploffen in het vuur.**
8. **Laat de accu niet vallen, sla er geen spijker in, snijd er niet in, gooi er niet mee en stoot hem niet tegen een hard voorwerp. Dergelijke handelingen kunnen leiden tot brand, buitensporige hitte of een explosie.**
9. **Gebruik nooit een beschadigde accu.**
10. **De bijgeleverde lithium-ionbatterijen zijn onderhevig aan de vereisten in de wetgeving omtrent gevaarlijke stoffen.**

Voor commercieel transport en dergelijke door derden en transporteurs moeten speciale vereisten ten aanzien van verpakking en etikettering worden nageleefd.

Als voorbereiding van het artikel dat wordt getransporteerd is het noodzakelijk een expert op het gebied van gevaarlijke stoffen te raadplegen. Houd u tevens aan mogelijk strengere nationale regelgeving.

Blootliggende contactpunten moeten worden afgedekt met tape en de accu moet zodanig worden verpakt dat deze niet kan bewegen in de verpakking.
11. **Wanneer u de accu wilt weggooien, verwijdert u de accu vanaf het gereedschap en gooit u hem op een veilige manier weg. Volg bij het weggooien van de accu de plaatselijke voorschriften.**
12. **Gebruik de accu's uitsluitend met de gereedschappen die door Makita zijn aanbevolen.** Als de accu's worden aangebracht in niet-compatibele gereedschappen, kan dat leiden tot brand, buitensporige warmteontwikkeling, een explosie of lekkage van elektrolyt.

## BEWAAR DEZE INSTRUCTIES.

### Belangrijke veiligheidsinstructies voor een accu

1. **Lees alle voorschriften en waarschuwingen op (1) de acculader, (2) de accu, en (3) het product waarvoor de accu wordt gebruikt, alvorens de accu in gebruik te nemen.**
2. **Haal de accu niet uit elkaar en saboteer hem niet.** Dit kan leiden tot brand, buitensporige hitte of een explosie.
3. **Als de gebruikstijd van een opgeladen accu aanzienlijk korter is geworden, moet u het gebruik ervan onmiddellijk stopzetten.** Voortgezet gebruik kan oververhitting, brandwonden en zelfs een ontploffing veroorzaken.
4. **Als elektrolyt in uw ogen is terechtgekomen, spoelt u uw ogen met schoon water en roept u onmiddellijk de hulp van een dokter in.** Elektrolyt in de ogen kan blindheid veroorzaken.
5. **Voorkom kortsluiting van de accu:**
  - (1) **Raak de accuklemmen nooit aan met een geleidend materiaal.**
  - (2) **Bewaar de accu niet in een bak waarin andere metalen voorwerpen zoals spijkers, munten e.d. worden bewaard.**
  - (3) **Stel de accu niet bloot aan water of regen.** Kortsluiting van de accu kan oorzaak zijn van een grote stroomafgifte, oververhitting, brandwonden, en zelfs defecten.
13. **Als u het gereedschap gedurende een lange tijd niet denkt te gaan gebruiken, moet de accu vanaf het gereedschap worden verwijderd.**
14. **Tijdens en na gebruik, kan de accu heet worden waardoor brandwonden of koude brandwonden kunnen worden veroorzaakt. Wees voorzichtig bij het hanteren van een hete accu.**
15. **Raak de aansluitpunten van het gereedschap niet onmiddellijk na gebruik aan omdat deze heet genoeg kunnen zijn om brandwonden te veroorzaken.**
16. **Zorg ervoor dat geen steenslag, stof of grond vast komt te zitten op/in de aansluitpunten, openingen en groeven van de accu.** Hierdoor kan oververhitting, brand, een barst en een storing in het gereedschap of de accu ontstaan waardoor brandwonden of persoonlijk letsel kunnen ontstaan.
17. **Behalve indien gebruik van het gereedschap is toegestaan in de buurt van hoogspanningsleidingen, mag u de accu niet gebruiken in de buurt van een hoogspanningsleiding.** Dit kan leiden tot een storing of een defect van het gereedschap of de accu.
18. **Houd de accu uit de buurt van kinderen.**

## BEWAAR DEZE INSTRUCTIES.

**⚠ LET OP:** Gebruik uitsluitend originele Makita accu's. Het gebruik van niet-originele accu's, of accu's die zijn gewijzigd, kan ertoe leiden dat de accu ontploft en brand, persoonlijk letsel en schade veroorzaakt. Ook vervalt daarmee de garantie van Makita op het gereedschap en de lader van Makita.

## Tips voor een maximale levensduur van de accu

1. Laad de accu op voordat hij volledig ontladen is. Stop het gebruik van het gereedschap en laad de accu op telkens wanneer u vaststelt dat het vermogen van het gereedschap is afgenomen.
2. Laad een volledig opgeladen accu nooit opnieuw op. Te lang opladen verkort de levensduur van de accu.
3. Laad de accu op bij een omgevingstemperatuur tussen 10 °C en 40 °C. Laat een warme accu afkoelen alvorens hem op te laden.
4. Als de accu niet wordt gebruikt, verwijdert u hem vanaf het gereedschap of de lader.
5. Laad de accu op als u deze gedurende een lange tijd (meer dan zes maanden) niet gaat gebruiken.

## BESCHRIJVING VAN DE FUNCTIES

**⚠ LET OP:** Zorg altijd dat het gereedschap is uitgeschakeld en de accu ervan is verwijderd alvorens de functies op het gereedschap af te stellen of te controleren.

**⚠ LET OP:** Wees voorzichtig dat uw vinger(s) niet bekneld raken tussen de stofzuiger en de accu tijdens het aanbrengen van de accu, zoals aangegeven in de afbeelding. Beknelde vinger(s) kunnen tot letsel leiden.

► Fig.1

## De accu aanbrengen en verwijderen

**⚠ LET OP:** Schakel het gereedschap altijd uit voordat u de accu aanbrengt of verwijdert.

**⚠ LET OP:** Houd het gereedschap en de accu stevig vast tijdens het aanbrengen of verwijderen van de accu. Als u het gereedschap en de accu niet stevig vasthoudt, kunnen deze uit uw handen glijpen en het gereedschap of de accu beschadigen, of kan persoonlijk letsel worden veroorzaakt.

► Fig.2: 1. Rood deel 2. Knop 3. Accu

Om de accu te verwijderen verschuift u de knop aan de voorkant van de accu en schuift u tegelijkertijd de accu uit het gereedschap.

Om de accu aan te brengen lijnt u de lip op de accu uit met de groef in de behuizing en duwt u de accu op zijn plaats. Steek de accu zo ver mogelijk in het gereedschap tot u een klikgeluid hoort. Wanneer het rode deel zichtbaar is, zoals aangegeven in de afbeelding, is de accu niet geheel vergrendeld.

**⚠ LET OP:** Breng de accu altijd helemaal aan totdat het rode deel niet meer zichtbaar is. Als u dit niet doet, kan de accu per ongeluk uit het gereedschap vallen en u of anderen in uw omgeving verwonden.

**⚠ LET OP:** Breng de accu niet met kracht aan. Als de accu niet gemakkelijk in het gereedschap kan worden geschoven, wordt deze niet goed aangebracht.

## Accubeveiligingssysteem

Het gereedschap is uitgerust met een gereedschap-/accubeveiligingssysteem. Dit systeem sluit automatisch de voeding naar de motor af om de levensduur van het gereedschap en de accu te verlengen. Het gereedschap zal tijdens gebruik automatisch stoppen wanneer het gereedschap of de accu zich in een van de volgende omstandigheden bevindt.

### Overbelasting:

Als het gereedschap/de accu wordt gebruikt op een manier die een abnormaal hoge stroomsterkte vergt. Schakel in dat geval het gereedschap uit en stopt u met de toepassing waardoor het gereedschap overbelast raakte. Schakel vervolgens het gereedschap in om het weer te starten.

Als het gereedschap niet start, kan het gereedschap/de accu oververhit zijn. In die situatie laat u het gereedschap/de accu eerst afkoelen voordat u het gereedschap opnieuw inschakelt.

### Onvoldoende accuspanning:

De resterende accuspanning is te laag en het gereedschap start niet. In dat geval verwijdert u de accu en laadt u die opnieuw op.

### Beveiligingen tegen andere oorzaken:

Het beveiligingssysteem is ook ontworpen voor andere oorzaken die het gereedschap kunnen beschadigen, en zorgt ervoor dat het gereedschap automatisch stopt. Voer alle volgende stappen uit om de oorzaken op te heffen, wanneer het gereedschap tijdelijk is onderbroken of tijdens het gebruik is gestopt.

1. Schakel het gereedschap uit en schakel het daarna weer in om het opnieuw te starten.
2. Laad de accu('s) op of vervang hem/ze door (een) opgeladen accu('s).
3. Laat het gereedschap en de accu('s) afkoelen.

Als geen verbetering optreedt nadat het beveiligingssysteem is gereset, neemt u contact op met uw lokale Makita-servicecentrum.

## De resterende acculading controleren

Druk op de testknop op de accu om de resterende acculading te zien. De indicatorlampjes branden gedurende enkele seconden.

► Fig.3: 1. Indicatorlampjes 2. Testknop

Indicatorlampjes			Resterende acculading
Brandt	Uit	Knippert	
■	□	▧	
■ ■ ■ ■			75% tot 100%
■ ■ ■ □			50% tot 75%
■ ■ □ □			25% tot 50%
■ □ □ □			0% tot 25%
▧ □ □ □			Laad de accu op.
■ ■ □ □			Er kan een storing zijn opgetreden in de accu.
□ □ ■ ■	↑ ↓		

**OPMERKING:** Afhankelijk van de gebruiksomstandigheden en de omgevingstemperatuur, is het mogelijk dat de aangegeven acculading verschilt van de werkelijke acculading.

**OPMERKING:** Het eerste (meest linker) indicatorlampje knippert wanneer het accubeveiligingssysteem in werking is getreden.

## De trekverschakelaar gebruiken

► Fig.4: 1. Zuigkrachtkeuzeknop 2. Aan-uitknop

Om de stofzuiger in te schakelen, drukt u gewoon op de aan-uitknop. Om hem uit te schakelen, drukt u nogmaals op de aan-uitknop.

U kunt de zuigkracht van de stofzuiger in vier stappen instellen door op de zuigkrachtkeuzeknop te drukken. Bij elke druk op deze knop doorloopt u stapsgewijs de cyclus stil-normaal-hoog-maximaal.

Niveau	Indicator	Functie
1	☰	Stand voor stille werking
2	☷	Stand voor normale snelheid
3	☹	Stand voor hoge snelheid
4	☶	Stand voor maximale snelheid

**OPMERKING:** U kunt de zuigkracht instellen voordat u de stofzuiger inschakelt.

**OPMERKING:** De stofzuiger heeft bij het inschakelen dezelfde zuigkracht als bij de laatste keer uitschakelen.

## De lamp inschakelen

**⚠ LET OP:** Kijk niet direct in het lamplicht of in de lichtbron.

Om de lamp in te schakelen, drukt u op de zuigkrachtkeuzeknop. De lamp gaat uit na ongeveer 10 seconden. Terwijl de stofzuiger is ingeschakeld, brandt de lamp. De lamp gaat ongeveer 10 seconden na het uitschakelen uit.

**OPMERKING:** Als de resterende acculading laag wordt, begint de lamp te knipperen. Het moment waarop de lamp begint te knipperen is afhankelijk van de temperatuur op de werkplek en de staat van de accu.

► Fig.5: 1. Zuigkrachtkeuzeknop 2. Aan-uitknop 3. Lamp

## BESCHRIJVING VAN DE ONDERDELEN

Afhankelijk van het land

► Fig.6

1	Stofopvangdoos van 250 ml (optioneel accessoire)	2	Stofopvangdoos van 400 ml (optioneel accessoire)	3	Gaasfilter	4	Cycloonhuis
5	Hoogwaardig filter (grijs filterframe) (optioneel accessoire)	6	HEPA-filter (wit filterframe) (optioneel accessoire)	7	Sponsschijf	8	Behuizing van de stofzuiger
9	Polsriem (afhankelijk van het land)	-	-	-	-	-	-

## MONTAGE

**⚠ LET OP:** Zorg altijd dat het gereedschap is uitgeschakeld en de accu ervan is verwijderd alvorens enig werk aan het gereedschap uit te voeren.

**KENNISGEVING:** Verzekeer u ervan dat vóór gebruik alle hulpstukken en onderdelen goed op hun plaats bevestigd zijn.

### De hulpstukken van de stofzuiger aanbrengen en verwijderen

**⚠ LET OP:** Controleer na het aanbrengen van het hulpstuk of dit stevig is aangebracht. Als het hulpstuk niet correct is aangebracht, kan het losraken en persoonlijk letsel veroorzaken.

**⚠ LET OP:** Wees voorzichtig dat u uw hand niet tegen de muur, enz. stoot bij het verwijderen van het hulpstuk.

### Bij gebruik van een hulpstuk met vergrendelfunctie

Om het hulpstuk aan te brengen, steekt u deze in de zuigmond van de stofzuiger totdat hij vastklikt. Verzekeer u ervan dat het hulpstuk vergrendeld is.

► **Fig.7:** 1. Zuigmond 2. Hulpstuk met vergrendelfunctie 3. Haak

**KENNISGEVING:** Bij het aanbrengen van het hulpstuk met vergrendelfunctie, moet u de ontgrendelknop op de stofzuiger uitlijnen met de haak op het hulpstuk. Als deze niet uitgelijnd zijn, zal het hulpstuk niet vergrendeld worden en kan deze van de stofzuiger af vallen.

Om het hulpstuk te verwijderen, trekt u het van de stofzuiger af terwijl u de armen van de ontgrendelknop ingedrukt houdt.

► **Fig.8:** 1. Ontgrendelknop 2. Arm van de ontgrendelknop 3. Hulpstuk met vergrendelfunctie 4. Zuigmond

### Bij gebruik van een hulpstuk zonder vergrendelfunctie

**KENNISGEVING:** Om een hulpstuk zonder vergrendelfunctie aan te brengen, steekt u het in de zuigmond van de stofzuiger door het te draaien, zoals aangegeven in de afbeelding. Om het hulpstuk eraf te halen, maakt u het los van de stofzuiger door het te draaien, zoals aangegeven in de afbeelding. Draai het hulpstuk niet in de tegenovergestelde richting van de richting aangegeven in de afbeelding omdat hierdoor de cyclooneenheid los kan raken.

► **Fig.9**

## BEDIENING

**⚠ LET OP:** Houd tijdens gebruik van de stofzuiger uw gezicht uit de buurt van het luchtrooster. Als vreemde voorwerpen in iemands ogen worden geblazen, kan dat leiden tot persoonlijk letsel.

**KENNISGEVING:** Vermijd de stofzuiger te gebruiken in een horizontale of omhoog gerichte stand. Hierdoor kan het gaasfilter verstopt raken.

**KENNISGEVING:** Gebruik de stofzuiger altijd met de filters aangebracht. Als u de stofzuiger gebruikt zonder filters, kan een storing optreden in de motor.

**KENNISGEVING:** Maak de stofopvangdoos in de cyclooneenheid leeg wanneer zich stof erin heeft verzameld. Als u hem blijft gebruiken, zal dat leiden tot een lagere zuigkracht.

De cyclooneenheid helpt de hoeveelheid stof te verlagen die de stofzuiger binnengaat, waardoor de zuigprestaties worden verbeterd en het stof eenvoudig en gemakkelijk kan worden weggegooid.

### Schoonmaken (zuigen)

#### Mondstuk

*Alleen met stofopvangdoos van 250 ml*

Bevestig het mondstuk voor het schoonmaken van tafels, bureaus, meubels, enz. Het mondstuk kan eenvoudig op de stofzuiger worden geplaatst.

► **Fig.10:** 1. Mondstuk

#### Mondstuk + verlengbuis (rechte buis)

De verlengbuis past tussen het mondstuk en de stofzuigermond. Deze werkwijze is handig bij het stofzuigen van de grond terwijl u rechtop staat.

► **Fig.11:** 1. Behuizing van de stofzuiger 2. Verlengbuis 3. Mondstuk

#### Hoekmondstuk

Bevestig het hoekmondstuk voor het stofzuigen in hoeken en spleten van meubels of in auto's.

► **Fig.12:** 1. Hoekmondstuk 2. Behuizing van de stofzuiger

U kunt het hoekmondstuk opbergen in de mondstukhouder.

► **Fig.13:** 1. Mondstukhouder 2. Hoekmondstuk

**⚠ LET OP:** Wees voorzichtig dat uw vinger(s) niet bekneld raakt/raken tussen het hoekmondstuk en de mondstukhouder. Beknelde vinger(s) kan/kunnen tot letsel leiden.

## Hoekmondstuk + verlengbuis (rechte buis)

In kleine ruimten waar de stofzuiger zelf niet in past, of op hoge plaatsen die moeilijk te bereiken zijn, gebruikt u deze werkwijze.

- **Fig.14:** 1. Hoekmondstuk 2. Verlengbuis  
3. Behuizing van de stofzuiger

## Stofzuigen zonder mondstuk

*Alleen met stofopvangdoos van 250 ml*

U kunt poeder en stof opzuigen zonder een mondstuk.

- **Fig.15**

Voor het opzuigen van stof vanaf een vloer terwijl u rechtop staat, is het handig om de verlengbuis (rechte buis) aan te brengen op de stofzuiger.

- **Fig.16:** 1. Verlengbuis

## Het stof weggoaien

**⚠ALLET OP:** Leeg de stofzuiger voordat deze te vol raakt omdat dan de zuigkracht afneemt.

**⚠ALLET OP:** Wees voorzichtig dat uw vingers niet bekneld raken tussen de stofopvangdoos en het cycloonhuis tijdens het in elkaar zetten.

Gooi het verzamelde stof als volgt weg voordat het de vol-lijn op de stofopvangdoos overschrijdt.

1. Richt de voorkant van de stofzuiger omlaag, houd de stofopvangdoos stevig vast en terwijl u de ontgrenselknoppen aan beide zijanten van de stofopvangdoos ingedrukt houdt, trekt u vervolgens de stofopvangdoos van het cycloonhuis af.

- **Fig.17:** 1. Vol-lijn 2. Stofopvangdoos  
3. Ontgrenselknoppen 4. Gaasfilter

2. Leeg de stofopvangdoos en verwijder het vastzittende stof vanaf het gaasfilter.

- **Fig.18**

3. Breng de stofopvangdoos weer aan op het cycloonhuis zodat deze met een klik wordt vergrendeld.

- **Fig.19:** 1. Stofopvangdoos 2. Ontgrenselknoppen  
3. Cycloonhuis

**⚠ALLET OP:** Het stof kan in het rond vliegen wanneer u de stofopvangdoos leeg maakt. Wees voorzichtig zodat het stof niet in uw ogen komt.

**KENNISGEVING:** Als de stofopvangdoos vuil is geworden, haalt u hem eraf en wast u hem met water. Droog de stofopvangdoos grondig voordat u hem weer aanbrengt en gebruikt.

**KENNISGEVING:** Verzeker u ervan dat vóór gebruik alle hulpstukken en onderdelen goed op hun plaats bevestigd zijn.

**KENNISGEVING:** Als de zuigkracht niet is hersteld nadat het stof is weggegooid en het gaasfilter is schoongemaakt, controleert u of stof zich heeft opgehoopt binnenin het cycloonhuis of er een verstopping is opgetreden.

## ONDERHOUD

**⚠ALLET OP:** Zorg altijd dat het gereedschap is uitgeschakeld en de accu ervan is verwijderd alvorens te beginnen met onderhoud of inspectie.

**KENNISGEVING:** Gebruik nooit benzine, benzine, thinner, alcohol en dergelijke. Hierdoor kunnen verkleuring, vervormingen en barsten worden veroorzaakt.

Om de VEILIGHEID en BETROUWBAARHEID van het gereedschap te handhaven, dienen alle reparaties, overig onderhoud en afstellingen te worden uitgevoerd door een door Makita erkend servicecentrum of het fabrieksservicecentrum, en altijd met gebruikmaking van originele Makita-ervangingsonderdelen.

## Na gebruik

**⚠ALLET OP:** Als u de stofzuiger tegen een muur laat leunen zonder enige andere steun, kan de stofzuiger omvallen waardoor persoonlijk letsel of schade aan de stofzuiger kan ontstaan.

- **Fig.20**

## Regelmatig onderhoud

**KENNISGEVING:** Maak de filters in de cyclooneenheid schoon wanneer deze verstopt zijn geraakt. Als u deze blijft gebruiken terwijl ze verstopt zijn, kan dat leiden tot warmteontwikkeling en een storing in de motor.

**KENNISGEVING:** Blaas stof dat op de stofzuiger en filters zit er niet af met behulp van een persluchtspuit. Hierdoor kan het stof in het huis komen en een defect veroorzaken.

Regelmatig onderhoud is vereist om de normale gebruiksomstandigheden te behouden.

## Behuizing van de stofzuiger

Veeg regelmatig de buitenkant (behuizing) van de stofzuiger schoon met een in zeepwater bevochtigde doek en maak de luchtuitstroomopeningen schoon.

- **Fig.21**

## Cyclooneenheid en filters

**KENNISGEVING:** Maak de binnenkant van de cyclooneenheid en de filters schoon wanneer de zuigprestaties minder worden, ongeacht de hoeveelheid stof verzameld in de stofopvangdoos.

**KENNISGEVING:** Nadat de filters zijn gewassen, droogt u ze grondig voordat u ze gebruikt. Onvoldoende gedroogde filters kunnen leiden tot slecht zuigen en de levensduur van de motor verkorten.

**KENNISGEVING:** Nadat de filters en sponsschijf zijn gereinigd, vergeet u niet deze weer aan te brengen vóór gebruik. Als u de stofzuiger gebruikt zonder de filters en sponsschijf, zal het stof binnendringen in het motorhuis en een defect veroorzaken.

## Cyclooneenheid

1. Tik meerdere keren met uw hand tegen de cyclooneenheid om het stof te verwijderen dat aan het binnenoppervlak van de cyclooneenheid en het filter vastkleeft.

► **Fig.22:** 1. Cyclooneenheid

2. Met de zuigmond omlaag gericht, draai de cyclooneenheid zoals aangegeven in de afbeelding om de markering op de cyclooneenheid uit te lijnen met die op de behuizing van de stofzuiger zodat de vergrendeling wordt ontgrendeld. Trek daarna langzaam en recht de cyclooneenheid van de behuizing van de stofzuiger af.

► **Fig.23:** 1. Cyclooneenheid 2. Zuigmond  
3. Markeringen 4. Filter

**OPMERKING:** Wanneer de cyclooneenheid eraf wordt getrokken, kan stof in het rond vliegen. Wij adviseren een vuilniszak onder de cyclooneenheid te leggen.

3. Verwijder het stof vanaf de binnenkant van de cyclooneenheid en het filter.

► **Fig.24**

4. Breng de cyclooneenheid weer aan op de behuizing van de stofzuiger door de markering op de cyclooneenheid uit te lijnen met die op de behuizing van de stofzuiger. Draai daarna de cyclooneenheid zoals aangegeven in de afbeelding tot deze op zijn plaats wordt vergrendeld.

► **Fig.25:** 1. Cyclooneenheid 2. Behuizing van de stofzuiger 3. Markeringen

## Hoogwaardig filter

### Optioneel accessoire

1. Verwijder de cyclooneenheid vanaf de behuizing van de stofzuiger.

2. Houd het bevestigingsuiteinde van het hoogwaardig filter vast en trek het van de behuizing van de stofzuiger af.

► **Fig.26:** 1. Hoogwaardig filter 2. Behuizing van de stofzuiger

3. Veeg en tik het stof met de hand van het hoogwaardig filter af.

► **Fig.27**

4. Was het hoogwaardig filter in zeepwater als het verstopt zit met stof en vuil. Droog hem goed in de schaduw alvorens weer te gebruiken.

► **Fig.28**

**OPMERKING:** Hang bij het drogen het hoogwaardig filter niet op aan het bevestigingsuiteinde (rubber afdichtring).

5. Houd het bevestigingsuiteinde van het hoogwaardig filter vast en duw het terug in de behuizing van de stofzuiger.

► **Fig.29:** 1. Hoogwaardig filter 2. Behuizing van de stofzuiger

## HEPA-filter

### Optioneel accessoire

**KENNISGEVING:** Schrob of kras het HEPA-filter niet met harde voorwerpen, zoals een borstel of een schuurpons.

1. Verwijder de cyclooneenheid vanaf de behuizing van de stofzuiger.

2. Houd het bevestigingsuiteinde van het HEPA-filter (bedekt door een hoogwaardig voorfilter) vast en trek het van de behuizing van de stofzuiger af.

► **Fig.30:** 1. HEPA-filter (bedekt door een hoogwaardig voorfilter) 2. Behuizing van de stofzuiger

3. Verwijder het hoogwaardig voorfilter vanaf het HEPA-filter door hem met de hand te draaien.

► **Fig.31:** 1. Hoogwaardig voorfilter 2. HEPA-filter

4. Veeg en tik het stof met de hand van het hoogwaardig voorfilter en HEPA-filter af.

► **Fig.32**

5. Was het hoogwaardig voorfilter en HEPA-filter in zeepwater. Spoel en droog ze goed in de schaduw alvorens weer te gebruiken.

► **Fig.33**

**OPMERKING:** Hang bij het drogen het HEPA-filter niet op aan het bevestigingsuiteinde (rubber afdichtring).

6. Breng het hoogwaardig voorfilter aan op het HEPA-filter.

► **Fig.34:** 1. Hoogwaardig voorfilter 2. HEPA-filter

7. Houd het bevestigingsuiteinde van het HEPA-filter (bedekt door een hoogwaardig voorfilter) en duw het op de behuizing van de stofzuiger.

► **Fig.35:** 1. HEPA-filter (bedekt door een hoogwaardig voorfilter) 2. Behuizing van de stofzuiger

## Sponsschijf

1. Verwijder de cyclooneenheid vanaf de behuizing van de stofzuiger.

2. Houd het bevestigingsuiteinde van het filter vast en trek het van de behuizing van de stofzuiger af.

► **Fig.36:** 1. Filter 2. Behuizing van de stofzuiger

3. Trek de sponsschijf van de zuigopening af.

► **Fig.37:** 1. Sponsschijf 2. Zuigopening

4. Veeg en tik het stof met de hand van de sponsschijf af.

► **Fig.38**

5. Was de sponsschijf in zeepwater als hij verstopt zit met stof en vuil. Droog hem goed in de schaduw alvorens weer te gebruiken.

► **Fig.39**

6. Breng de sponsschijf weer aan op de oorspronkelijke plaats. Verzeker u ervan dat de linker- en rechterrand van de sponsschijf zijn bevestigd achter de klemmen en dat er geen spleet zit tussen de sponsschijf en de zuigopening.

► **Fig.40:** 1. Sponsschijf 2. Klemmen 3. Zuigopening

7. Houd het bevestigingsuiteinde van het filter vast en duw het terug in de behuizing van de stofzuiger.

► **Fig.41:** 1. Filter 2. Behuizing van de stofzuiger



## Onderhoud op basis van prestaties

**KENNISGEVING:** Maak het gasfilter in de cyclooneenheid schoon wanneer deze verstopt is geraakt. Als u deze blijft gebruiken terwijl ze verstopt zijn, kan dat leiden tot warmteontwikkeling en een storing in de motor.

Een dieptereiniging of lokale reiniging moet worden uitgevoerd afhankelijk van de prestaties van het apparaat.

### Gaasfilter

Wanneer de stofopvangdoos vuil wordt of het gasfilter verstopt raakt, verwijdert u ze en wast u ze af met water. (Raadpleeg "Het stof weggooien" voor de verwijderingsprocedure.)

1. Houd de stofopvangdoos stevig vast en terwijl u de ontgrendelknoppen aan beide zijkanten van de stofopvangdoos ingedrukt houdt, trekt u vervolgens de stofopvangdoos van het cycloonhuis af.

► **Fig.42:** 1. Stofopvangdoos 2. Cycloonhuis 3. Ontgrendelknoppen

2. Draai het gasfilter zoals aangegeven in de afbeelding om de vergrendeling te ontgrendelen. Haal het daarna van het cycloonhuis af.

► **Fig.43:** 1. Gaasfilter

3. Haal het gasfilter uit elkaar in drie onderdelen: voorfilter, cilindervormig sponsfilter en gaasbuis.

i Knijp de geleideklemmen op de bovenkant van de gaasbuis samen.

ii Geleid de geleideklemmen omlaag door het geleidegat in de bovenkant van het voorfilter.

iii Trek het voorfilter van het cilindervormige sponsfilter en de gaasbuis af.

iv Verwijder het cilindervormige sponsfilter vanaf de gaasbuis.

► **Fig.44:** 1. Voorfilter 2. Cilindervormig sponsfilter 3. Gaasbuis 4. Geleideklemmen 5. Geleidegat

4. Veeg en tik het stof met de hand van de filters en gaasbuis af.

► **Fig.45**

5. Was de filters en gaasbuis in zeepwater als deze verstopt zitten met stof en vuil. Droog ze goed in de schaduw alvorens weer te gebruiken.

► **Fig.46**

6. Zet het gasfilter weer in elkaar.

i Steek het cilindervormige sponsfilter in het voorfilter.

ii Steek de gaasbuis in het cilindervormige sponsfilter en het voorfilter, en geleid daarbij de geleideklemmen op de bovenkant van de gaasbuis door het geleidegat op de bovenkant van het voorfilter.

iii Duw de gaasbuis door het cilindervormige sponsfilter en het voorfilter tot deze met een klik op zijn plaats wordt vergrendeld.

► **Fig.47:** 1. Voorfilter 2. Cilindervormig sponsfilter 3. Gaasbuis 4. Geleideklemmen 5. Geleidegat

7. Breng het gasfilter weer aan in het cycloonhuis door de haken van het gasfilter uit te lijnen met de uitsparingen in de uitlaat van het cycloonhuis. Draai het gasfilter zoals aangegeven in de afbeelding tot de haken met een klik worden vergrendeld. Verzeker u ervan dat het gasfilter stevig is aangebracht.

► **Fig.48:** 1. Gaasfilter 2. Cycloonhuis 3. Haak 4. Uitsparing

### Luchtkanalen in de cyclooneenheid

Vreemde materialen die binnendringen kunnen de luchtkanalen van de cyclooneenheid blokkeren en de luchtstroom hinderen. Verwijder eventuele obstakels in de luchtroute als u merkt dat de zuigprestaties aanzienlijk afnemen.

1. Haal de cyclooneenheid uit elkaar in drie onderdelen: stofopvangdoos, gasfilter en cycloonhuis.

► **Fig.49:** 1. Stofopvangdoos 2. Gaasfilter 3. Cycloonhuis 4. Behuizing van de stofzuiger

2. Houd de vergrendelknop op de inlaatbuis ingedrukt in het vergrendelgat in het cycloonhuis met behulp van het handgereedschap met een punt. Haal daarna de inlaatbuis van het cycloonhuis af.

► **Fig.50:** 1. Inlaatbuis 2. Vergrendelknop 3. Cycloonhuis 4. Vergrendelgat

3. Veeg al het vuil uit de luchtkanalen.

Vreemde materialen zetten zich meestal vast rondom de inlaatopening.

► **Fig.51:** 1. Zuigmond 2. Inlaatopening

4. Breng de inlaatbuis weer op zijn plaats aan tot hij stevig is vergrendeld.

► **Fig.52:** 1. Inlaatbuis 2. Cycloonhuis 3. O-ring 4. Terugslagklep

**KENNISGEVING:** Verzeker u ervan dat de O-ring en terugslagklep goed op hun plaats zitten alvorens weer aan te brengen. De zuigprestaties kunnen nadelig worden beïnvloed wanneer de cyclooneenheid wordt gebruikt zonder dat de O-ring en terugslagklep op hun plaats zitten.

5. Zet de cyclooneenheid weer in elkaar en breng hem aan op de behuizing van de stofzuiger.

## Problemen oplossen

Alvorens om reparatie te verzoeken, controleert u de volgende punten.

Symptoom	Mogelijke oorzaak	Mogelijke oplossing
Geringe zuigkracht	Zit de stofopvangdoos of de binnenkant van de cyclooneenheid vol met stof?	Maak de stofopvangdoos of de binnenkant van de cyclooneenheid leeg.
	Zitten de filters verstopt?	Tik of was het stof van het/de hoogwaardig filter/HEPA-filter/sponsschijf/gaasfilter af.
	Worden de ingaande luchtkanalen geblokkeerd?	Verwijder alle stof en voorwerpen uit de luchtopeningen en -kanalen.
	Is de accu leeg?	Laad de accu op.
Apparaat werkt niet	Is de accu leeg?	Laad de accu op.
Lawaai en trillingen	Zitten de filters verstopt?	Tik of was het stof van het/de hoogwaardig filter/HEPA-filter/sponsschijf/gaasfilter af.
	Worden de openingen of gaten geblokkeerd?	Verwijder alle stof en voorwerpen uit de mondstukken, buizen en luchtopeningen.
	Zit de zuigmond van het mondstuk of de buis dicht?	Open de zuigmond van het mondstuk en de buis.

**⚠ LET OP: Probeer de stofzuiger niet zelf te repareren.**

## OPTIONELE ACCESSOIRES

**⚠ LET OP: Deze accessoires of hulpstukken worden aanbevolen voor gebruik met het Makita gereedschap dat in deze gebruiksaanwijzing is beschreven.** Bij gebruik van andere accessoires of hulpstukken bestaat het gevaar van persoonlijke letsel. Gebruik de accessoires of hulpstukken uitsluitend voor hun bestemde doel.

Wenst u meer bijzonderheden over deze accessoires, neem dan contact op met het plaatselijke Makita-servicecentrum.

- Verlengbuis (rechte buis)
- Mondstuk
- Mondstuk voor tapijt
- Boekenplankborstel
- Hoekmondstuk
- Ronde borstel
- Flexibele slang
- Hoogwaardig filter
- HEPA-filter
- Stoelmondstuk
- Spleetmondstuk
- Gereedschapszak
- Originele Makita accu's en acculaders

**OPMERKING:** Sommige items op de lijst kunnen zijn inbegrepen in de doos van het gereedschap als standaard toebehoren. Deze kunnen van land tot land verschillen.

## ADVERTENCIA

- Este aparato puede ser utilizado por niños de 8 o más años de edad y personas con capacidades físicas, sensoriales o mentales mermaidas, o sin experiencia y conocimiento, si han recibido supervisión o instrucción para el uso del aparato de forma segura y son conscientes del peligro que implica.
- Los niños no deben jugar con el aparato. La limpieza y mantenimiento que debe hacer el usuario no deben ser realizados por niños sin supervisión.
- Consulte el capítulo "ESPECIFICACIONES" para ver la referencia del tipo de batería.
- Consulte la sección "Instalación o extracción del cartucho de batería" para ver cómo retirar o instalar la batería.
- Para desechar el cartucho de batería, retírelo de la herramienta y deséchelo en un lugar seguro. Siga los reglamentos locales referentes al desecho de la batería.
- Si la herramienta no va a ser utilizada durante un periodo de tiempo largo, la batería deberá ser retirada de la herramienta.
- No cortocircuite el cartucho de batería.
- Consulte el capítulo "MANTENIMIENTO" para ver los detalles apropiados de las precauciones durante el mantenimiento hecho por el usuario.

## ESPECIFICACIONES

<b>Modelo:</b>		<b>CL003G</b>
Capacidad		250 mL / 400 mL (especifica para cada país)
Uso continuo (con batería BL4025)	1 (Modo silencioso)	Aprox. 80 min
	2 (Modo de velocidad normal)	Aprox. 40 min
	3 (Modo de velocidad alta)	Aprox. 25 min
	4 (Modo de velocidad máxima)	Aprox. 16 min
Longitud total (con tubo, boquilla, y batería BL4025)		1.106 mm
Tensión nominal		CC 36 V - 40 V máx.
Peso neto		1,9 - 2,6 kg

- Debido a nuestro continuado programa de investigación y desarrollo, las especificaciones aquí dadas están sujetas a cambios sin previo aviso.
- Las especificaciones pueden ser diferentes de país a país.
- El peso no incluye accesorios excepto el cartucho(s) de batería. El peso de las combinaciones menos pesada y más pesada del aparato y cartucho(s) de batería se muestra en la tabla.

### Cartucho de batería y cargador aplicables

Cartucho de batería	BL4020* / BL4025* / BL4040* / BL4050F * : Batería recomendada
Cargador	DC40RA / DC40RB / DC40RC

- Algunos de los cartuchos de batería y cargadores indicados arriba puede que no estén disponibles dependiendo de su región de residencia.

**⚠ ADVERTENCIA:** Utilice solamente los cartuchos de batería y cargadores indicados arriba. La utilización de cualquier otro cartucho de batería y cargador puede ocasionar heridas y/o un incendio.

## Símbolos

A continuación se muestran los símbolos que pueden ser utilizados para el equipo. Asegúrese de que entienda su significado antes de utilizar.



Lea el manual de instrucciones.



Una batería representativa aplicable a este producto.



Ni-MH  
Li-Ion

Sólo para países de la Unión Europea  
Debido a la presencia de componentes peligrosos en el equipo, el equipo eléctrico y electrónico, los acumuladores y las baterías desechados pueden tener un impacto negativo para el medioambiente y la salud humana. ¡No tire los aparatos eléctricos y electrónicos ni las baterías junto con los residuos domésticos! De conformidad con las Directivas Europeas sobre residuos de aparatos eléctricos y electrónicos y sobre acumuladores y baterías y residuos de acumuladores y baterías, así como la adaptación de las mismas a la ley nacional, el equipo eléctrico, las baterías y los acumuladores desechados deberán ser almacenados por separado y trasladados a un punto distinto de recogida de desechos municipales, que cumpla con los reglamentos sobre protección medioambiental. Esto se indica mediante el símbolo de cubo de basura tachado colocado en el equipo.

## Uso previsto

La herramienta ha sido prevista para recoger polvo seco.

## ADVERTENCIAS DE SEGURIDAD

### Advertencias de seguridad para la aspiradora inalámbrica

**⚠️ ADVERTENCIA: ¡IMPORTANTE! LEA CON ATENCIÓN todas las advertencias de seguridad y todas las instrucciones ANTES DE UTILIZAR.** No seguir las advertencias e instrucciones puede resultar en una descarga eléctrica, un incendio y/o heridas graves.

1. **No exponga el aparato a la lluvia. Almacene el aparato en interiores.**
2. **No permita que el aparato sea utilizado como juguete. Es necesario prestar mucha atención cuando el aparato sea utilizado por niños o cerca de ellos.**
3. **Utilice el aparato solamente de la forma descrita en este manual. Utilice solamente los accesorios recomendados por el fabricante.**
4. **No utilice el aparato con una batería dañada. Si el aparato no está funcionando como es debido, si se ha dejado caer, se ha dañado, se ha dejado en exteriores, o se ha caído al agua, llévelo a un centro de servicio.**

5. **No maneje el aparato con las manos mojadas.**
6. **No ponga ningún objeto dentro de las aberturas. No utilice el aparato con ninguna de sus aberturas bloqueada; manténgalo libre de polvo, hilachas, pelo, y cualquier cosa que pueda reducir el flujo de aire.**
7. **Mantenga el pelo, ropa holgada, dedos, y todas las partes del cuerpo alejadas de las aberturas y partes en movimiento.**
8. **Desactive todos los controles antes de extraer la batería.**
9. **Tenga cuidado especial cuando limpie en escaleras.**
10. **No utilice el aparato para recoger líquidos inflamables o combustibles, tal como gasolina, ni en áreas donde pueda haber tales líquidos.**
11. **Utilice para recargar solamente el cargador suministrado por el fabricante.**
12. **No recoja nada que esté quemándose o echando humo, tal como cigarrillos, cerillas, o cenizas calientes.**
13. **No utilice el aparato sin estar instalados la bolsa de polvo y/o los filtros.**
14. **No cargue la batería en exteriores.**
15. **Recargue solamente con el cargador especificado por el fabricante.** Un cargador que es apropiado para un tipo de batería puede crear un riesgo de incendio cuando se utiliza con otra batería.
16. **Utilice los aparatos solamente con las baterías designadas específicamente para ellos.** La utilización de cualquier otra batería puede crear un riesgo de heridas y de incendio.
17. **Cuando la batería no esté siendo utilizada, manténgala alejada de otros objetos metálicos, como sujetapapeles, monedas, llaves, clavos, tornillos u otros objetos metálicos pequeños, que puedan hacer conexión entre un terminal y otro.**
18. **En condiciones abusivas, es posible que salga expulsado líquido de la batería; evite el contacto con él. Si se produce un contacto accidental, enjuague con agua.**
19. **No utilice una batería ni aparato que esté dañado o modificado.** Las baterías dañadas o modificadas pueden comportarse de forma impredecible resultando en un incendio, explosión o riesgo de heridas.
20. **No exponga una batería ni aparato al fuego o a una temperatura excesiva.** La exposición al fuego o a una temperatura superior a los 130°C puede ocasionar una explosión.
21. **Siga todas las instrucciones sobre la carga y no cargue la batería ni el aparato fuera del rango de temperatura especificado en las instrucciones.** Cargar incorrectamente o a temperaturas fuera del rango especificado puede dañar la batería y aumentar el riesgo de incendio.

## GUARDE ESTAS INSTRUCCIONES.

## NORMAS DE SEGURIDAD ADICIONALES

Este aparato ha sido previsto para ser utilizado en el hogar.

1. Lea este manual de instrucciones y el manual de instrucciones del cargador atentamente antes de utilizar el aparato.
2. No recoja los materiales siguientes:
  - Materiales calientes tales como cigarrillos encendidos o polvo de chispas/metales generado al amolar/cortar metales
  - Materiales inflamables tales como gasolina, disolvente, bencina, keroseno o pintura
  - Materiales explosivos como nitroglicerina
  - Materiales que puedan prenderse como aluminio, cinc, magnesio, titanio, fósforo o celuloide
  - Suciedad mojada, agua, aceite o similares
  - Piezas duras con bordes cortantes, tales como virutas de madera, metales, piedras, cristales, clavos, alfileres o cuchillas de afeitar
  - Polvo que cuaje tal como cemento o tónor
  - Polvo conductivo tal como metal o carbón
  - Partículas finas como polvo de cementoTales acciones podrán causar un incendio, heridas y/o daños a la propiedad.
3. Detenga inmediatamente la operación si nota algo anormal.
4. Si deja caer o golpea la aspiradora, compruebe atentamente si tiene grietas o algún daño antes de iniciar la operación.
5. No lo acerque a estufas u otras fuentes de calor.
6. No bloquee el orificio de admisión ni los orificios de ventilación.

## GUARDE ESTAS INSTRUCCIONES.

### Instrucciones de seguridad importantes para el cartucho de batería

1. Antes de utilizar el cartucho de batería, lea todas las instrucciones e indicaciones de precaución sobre (1) el cargador de baterías, (2) la batería, y (3) el producto con el que se utiliza la batería.
2. No desensamble ni manipule el cartucho de batería. Podrá resultar en un incendio, calor excesivo, o una explosión.
3. Si el tiempo de uso se acorta demasiado, cese la operación inmediatamente. Podría resultar en un riesgo de recalentamiento, posibles quemaduras e incluso una explosión.

4. Si entra electrólito en sus ojos, aclárelos con agua limpia y acuda a un médico inmediatamente. Existe el riesgo de poder perder la vista.
5. No cortocircuite el cartucho de batería:
  - (1) No toque los terminales con ningún material conductor.
  - (2) Evite guardar el cartucho de batería en un cajón junto con otros objetos metálicos, como clavos, monedas, etc.
  - (3) No exponga el cartucho de batería al agua ni a la lluvia.Un cortocircuito en la batería puede producir una gran circulación de corriente, un recalentamiento, posibles quemaduras e incluso una rotura de la misma.
6. No guarde ni utilice la herramienta y el cartucho de batería en lugares donde la temperatura pueda alcanzar o exceder los 50 °C.
7. Nunca incinere el cartucho de batería incluso en el caso de que esté dañado seriamente o ya no sirva en absoluto. El cartucho de batería puede explotar si se tira al fuego.
8. No clave, corte, aplaste, lance, deje caer el cartucho de batería, ni golpee contra un objeto duro el cartucho de batería. Tal conducta podrá resultar en un incendio, calor excesivo, o una explosión.
9. No utilice una batería dañada.

### 10. Las baterías de litio-ion contenidas están sujetas a los requisitos de la Legislación para Materiales Peligrosos.

Para transportes comerciales, p.ej., por terceras personas y agentes de transportes, se deberán observar requisitos especiales para el empaquetado y etiquetado.

Para la preparación del artículo que se va a enviar, se requiere consultar con un experto en materiales peligrosos. Por favor, observe también la posibilidad de reglamentos nacionales más detallados.

Cubra con cinta aislante o enmascare los contactos expuestos y empaquete la batería de tal manera que no se pueda mover alrededor dentro del embalaje.

11. Para desechar el cartucho de batería, retírelo de la herramienta y deséchelo en un lugar seguro. Siga los reglamentos locales referentes al desecho de la batería.
12. Utilice las baterías solamente con los productos especificados por Makita. La instalación de las baterías en productos no compatibles puede resultar en un incendio, calor excesivo, explosión, o fuga de electrolito.
13. Si la herramienta no va a ser utilizada durante un periodo de tiempo largo, la batería deberá ser retirada de la herramienta.
14. Durante y después de la utilización, el cartucho de batería podrá acumular calor, lo cual puede ocasionar quemaduras o quemaduras de baja temperatura. Preste atención al manejo de cartuchos de batería calientes.

15. **No toque el terminal de la herramienta inmediatamente después de utilizar, dado que puede calentarse lo suficiente como para ocasionar quemaduras.**
16. **No permita que virutas, polvo, o tierra se adhieran dentro de los terminales, orificios, y ranuras del cartucho de batería.** Esto podría ocasionar calentamiento, que coja fuego, reviente y un mal funcionamiento de la herramienta o el cartucho de batería, resultando en quemaduras o heridas personales.
17. **A menos que la herramienta pueda utilizarse cerca de cables eléctricos de alta tensión, no utilice el cartucho de batería cerca de cables eléctricos de alta tensión.** Podrá resultar en un mal funcionamiento o rotura de la herramienta o el cartucho de batería.
18. **Mantenga la batería alejada de los niños.**

## GUARDE ESTAS INSTRUCCIONES.

**⚠️ PRECAUCIÓN:** Utilice solamente baterías genuinas de Makita. La utilización de baterías no genuinas de Makita, o baterías que han sido alteradas, puede resultar en una explosión de la batería ocasionando incendios, heridas personales y daños. También anulará la garantía de Makita para la herramienta y el cargador de Makita.

## Consejos para alargar al máximo la vida de servicio de la batería

1. **Cargue el cartucho de batería antes de que se descargue completamente. Detenga siempre la operación y cargue el cartucho de batería cuando note menos potencia en la herramienta.**
2. **No cargue nunca un cartucho de batería que esté completamente cargado. La sobrecarga acortará la vida de servicio de la batería.**
3. **Cargue el cartucho de batería a temperatura ambiente de 10 °C - 40 °C. Si un cartucho de batería está caliente, déjelo enfriar antes de cargarlo.**
4. **Cuando no esté utilizando el cartucho de batería, retírelo de la herramienta o del cargador.**
5. **Cargue el cartucho de batería si no lo utiliza durante un periodo de tiempo prolongado (más de seis meses).**

## DESCRIPCIÓN DEL FUNCIONAMIENTO

**⚠️ PRECAUCIÓN:** Asegúrese siempre de que la herramienta está apagada y el cartucho de batería retirado antes de realizar cualquier ajuste o comprobación en la herramienta.

**⚠️ PRECAUCIÓN:** Tenga cuidado de no pillarse el dedo(s) entre la aspiradora y la batería como se muestra en el diagrama cuando instale la batería. Si se pilla el dedo(s) podrá ocasionarse una herida.

► Fig.1

## Instalación o extracción del cartucho de batería

**⚠️ PRECAUCIÓN:** Apague siempre la herramienta antes de instalar o retirar el cartucho de batería.

**⚠️ PRECAUCIÓN:** Sujete la herramienta y el cartucho de batería firmemente cuando instale o retire el cartucho de batería. Si no sujeta la herramienta y el cartucho de batería firmemente podrán caérsele de las manos y resultar en daños a la herramienta y al cartucho de batería y heridas personales.

► Fig.2: 1. Indicador rojo 2. Botón 3. Cartucho de batería

Para retirar el cartucho de batería, deslícelo de la herramienta mientras desliza el botón de la parte frontal del cartucho.

Para instalar el cartucho de batería, alinee la lengüeta del cartucho de batería con la ranura del alojamiento y deslícelo al interior hasta encajarlo en su sitio. Insértele por completo hasta que se bloquee en su sitio con un pequeño chasquido. Si puede ver el indicador rojo como se muestra en la figura, no estará bloqueado completamente.

**⚠️ PRECAUCIÓN:** Instale siempre el cartucho de batería completamente hasta que no pueda verse el indicador rojo. En caso contrario, podrá caerse accidentalmente de la herramienta y ocasionarle heridas a usted o a alguien que esté cerca de usted.

**⚠️ PRECAUCIÓN:** No instale el cartucho de batería empleando fuerza. Si el cartucho no se desliza al interior fácilmente, será porque no está siendo insertado correctamente.

## Sistema de protección de la batería

La herramienta está equipada con un sistema de protección de la herramienta/batería. Este sistema corta automáticamente la alimentación del motor para alargar la vida útil de la herramienta y la batería. La herramienta se detendrá automáticamente durante la operación si la herramienta o la batería es puesta en una de las condiciones siguientes.

### Sobrecargada:

La herramienta/batería es utilizada de una manera que hace que tenga que absorber una corriente anormalmente alta.

En esta situación, apague la herramienta y detenga la aplicación que ocasiona que la herramienta se sobrecargue. Después encienda la herramienta para volver a empezar.

Si la herramienta no se pone en marcha, la herramienta/batería estará recalentada. En esta situación, deje que la herramienta/batería se enfríe antes de encender la herramienta otra vez.

### Tensión baja en la batería:

La capacidad de batería restante es muy baja y la herramienta no funcionará. En esta situación, retire la batería y vuelva a cargarla.

### Protecciones contra otras causas:

También hay un sistema de protección diseñado para otras causas que pueden dañar la herramienta y que permite a la herramienta detenerse automáticamente. Realice todos los pasos siguientes para despejar las causas, cuando la herramienta haya sido llevada a una pausa temporal o a una parada en la operación.















1. Apague la herramienta, y después enciéndala otra vez para volver a empezar.
2. Cargue la(s) batería(s) o reemplácela(s) con una batería(s) recargada(s).
3. Deje que la herramienta y la(s) batería(s) se enfríen.

Si no se nota una mejora al restablecer el sistema de protección, póngase en contacto con el centro de servicio Makita local.

## Modo de indicar la capacidad de batería restante

Presione el botón de comprobación en el cartucho de batería para indicar la capacidad de batería restante. Las lámparas indicadoras se iluminan durante unos pocos segundos.

- **Fig.3:** 1. Lámparas indicadoras 2. Botón de comprobación

Lámparas indicadoras			Capacidad restante
 Iluminada	 Apagada	 Parpadeando	
			75% a 100%
			50% a 75%
			25% a 50%
			0% a 25%
			Cargue la batería.
 ↑ ↓			Puede que la batería no esté funcionando bien.





**NOTA:** Dependiendo de las condiciones de utilización y de la temperatura ambiente, la indicación podrá variar ligeramente de la capacidad real.

**NOTA:** La primera lámpara indicadora (extremo izquierdo) parpadeará cuando el sistema de protección de la batería esté funcionando.

## Accionamiento del interruptor

- **Fig.4:** 1. Botón de cambio de potencia de succión  
2. Botón de apagado/encendido

Para poner en marcha la aspiradora, simplemente presione el botón de apagado/encendido. Para apagar, presione el botón de apagado/encendido otra vez. Puede cambiar la potencia de succión de la aspiradora en cuatro pasos presionando el botón de cambio de potencia de succión. Cada pulsación de este botón repite el modo Silencioso/Normal/Alta/Máxima en un ciclo.

Nivel	Indicación	Modo
1		Modo silencioso
2		Modo de velocidad normal
3		Modo velocidad alta
4		Modo de velocidad máxima

**NOTA:** Puede cambiar la potencia de succión antes de encender la aspiradora.

**NOTA:** La aspiradora se pondrá en marcha con la misma potencia de succión que la de la última operación.

## Encendido de la lámpara

**PRECAUCIÓN:** No mire a la luz ni vea la fuente de luz directamente.

Para encender la lámpara, presione el botón de cambio de potencia de succión. La lámpara se apagará en 10 segundos aproximadamente.

Mientras la aspiradora está en marcha, la lámpara se mantiene encendida.

La lámpara se apagará aproximadamente 10 segundos después de detener la operación.

**NOTA:** Cuando la capacidad de batería restante se vuelve baja, la lámpara comienza a parpadear. El momento en el que la lámpara comenzará a parpadear dependerá de la temperatura en el lugar de trabajo y las condiciones del cartucho de batería.

- **Fig.5:** 1. Botón de cambio de potencia de succión  
2. Botón de apagado/encendido 3. Lámpara

# DESCRIPCIÓN DE LAS PARTES

Específico para cada país

► Fig.6

1	Recipiente para polvo de 250 mL (accesorio opcional)	2	Recipiente para polvo de 400 mL (accesorio opcional)	3	Filtro de malla	4	Cuerpo ciclónico
5	Filtro de alto rendimiento (Bastidor de filtro en color gris) (accesorio opcional)	6	Filtro HEPA (Bastidor de filtro en color blanco) (accesorio opcional)	7	Lámina de esponja	8	Cuerpo de la aspiradora
9	Correa de sujeción (específica para cada país)	-	-	-	-	-	-

## MONTAJE

**⚠PRECAUCIÓN:** Asegúrese siempre de que la herramienta está apagada y el cartucho de batería retirado antes de realizar cualquier trabajo en la herramienta.

**AVISO:** Asegúrese de que todos los accesorios y componentes están sujetos en su sitio debidamente antes de utilizar.

## Instalación y desmontaje de accesorios de aspiradora

**⚠PRECAUCIÓN:** Después de instalar accesorios, compruebe que están instalados firmemente. Si los accesorios están instalados incorrectamente, se pueden caer y ocasionar heridas personales.

**⚠PRECAUCIÓN:** Tenga cuidado de no golpearse la mano contra la pared, etc., cuando retire el accesorio.

## Cuando utilice el accesorio con función de bloqueo

Para instalar el accesorio, insértelo en la boca de succión de la aspiradora hasta que produzca un chasquido. Asegúrese de que el accesorio está bloqueado.

► Fig.7: 1. Boca de succión 2. Accesorio con función de bloqueo 3. Gancho

**AVISO:** Cuando instale el accesorio con función de bloqueo, asegúrese de alinear el botón de liberación de la aspiradora con el gancho del accesorio. Si no están alineados, el accesorio no se bloqueará y se podrá caer de la aspiradora.

Para retirar el accesorio, extráigalo de la aspiradora mientras mantiene presionados las patillas del botón de liberación.

► Fig.8: 1. Botón de liberación 2. Patilla del botón de liberación 3. Accesorio con función de bloqueo 4. Boca de succión

## Cuando utilice el accesorio sin función de bloqueo

**AVISO:** Para instalar un accesorio sin función de bloqueo, insértelo en la boca de succión de la aspiradora girándolo como se muestra en la figura. Para retirar el accesorio, suéltelo de la aspiradora girándolo como se muestra en la figura. Evite girar el accesorio en dirección opuesta a la de la flecha de la figura porque podrá aflojar la unidad ciclónica.

► Fig.9

## OPERACIÓN

**⚠PRECAUCIÓN:** No acerque la cara a la rejilla de ventilación cuando esté utilizando la aspiradora. Si objetos extraños sopladados entran en sus ojos, podrá resultar en heridas personales.

**AVISO:** Evite utilizar la aspiradora en una posición horizontal u orientada hacia arriba. De lo contrario, podrá ocasionar que el filtro de malla se obstruya.

**AVISO:** Utilice siempre la aspiradora con los filtros instalados. La utilización de la aspiradora sin los filtros podrá resultar en un mal funcionamiento del motor.

**AVISO:** Vacíe el recipiente para polvo de la unidad ciclónica cuando se haya acumulado polvo. Continuar utilizando, resultará en una debilitación de la fuerza de succión.

La unidad ciclónica ayuda a reducir la cantidad de polvo que entra en la aspiradora, realzando el rendimiento de succión con una retirada sencilla y fácil del polvo.

## Limpieza (Succión)

### Boquilla

**Solo con recipiente para polvo de 250 mL**

Coloque la boquilla para limpiar mesas, escritorios, muebles, etc. La boquilla se coloca fácilmente.

► Fig.10: 1. Boquilla



## Boquilla + Tubo de extensión (Tubo recto)

El tubo de extensión se encaja entre la boquilla y la propia aspiradora. Esta disposición resulta útil para limpiar un suelo en posición erecta.

► **Fig.11:** 1. Cuerpo de la aspiradora 2. Tubo de extensión 3. Boquilla

## Boquilla para esquinas

Encaje la boquilla para esquinas para limpiar esquinas y resquicios de un automóvil o mueble.

► **Fig.12:** 1. Boquilla para esquinas 2. Cuerpo de la aspiradora

Puede guardar la boquilla para esquinas en el portaboquilla.

► **Fig.13:** 1. Portaboquilla 2. Boquilla para esquinas

**⚠PRECAUCIÓN:** Tenga cuidado de no pillarse el dedo (o los dedos) entre la boquilla para esquinas y el portaboquilla. Si se pilla el dedo (o los dedos) podrá ocasionarse una herida.

## Boquilla para esquinas + Tubo de extensión (Tubo recto)

En espacios reducidos donde la propia aspiradora no pueda entrar, o en lugares altos difíciles de alcanzar, utilice esta disposición.

► **Fig.14:** 1. Boquilla para esquinas 2. Tubo de extensión 3. Cuerpo de la aspiradora

## Limpieza sin boquilla

**Solo con recipiente para polvo de 250 mL**

Puede recoger partículas y polvo sin la boquilla.

► **Fig.15**

Para recoger polvo del suelo en posición erecta, es más cómodo si se coloca el tubo de extensión (tubo recto) en la aspiradora.

► **Fig.16:** 1. Tubo de extensión

## Extracción del polvo

**⚠PRECAUCIÓN:** Vacíe la aspiradora antes de que se llene demasiado, o la fuerza de succión se debilitará.

**⚠PRECAUCIÓN:** Tenga cuidado de no pillarse el dedo (los dedos) entre el recipiente para polvo y el cuerpo ciclónico cuando vuelva a montarlo.

Retire el polvo acumulado de la forma siguiente cuando exceda la línea de retirada de polvo.

1. Oriente la parte superior de la aspiradora hacia abajo, sujete el recipiente para polvo firmemente, y después retírelo del cuerpo ciclónico mientras mantiene presionados los botones de liberación de ambos costados del recipiente para polvo.

► **Fig.17:** 1. Línea de retirada de polvo 2. Recipiente para polvo 3. Botones de liberación 4. Filtro de malla

2. Vacíe el recipiente para polvo y retire el polvo adherido al filtro de malla.

► **Fig.18**

3. Vuelva a poner el recipiente para polvo en el cuerpo ciclónico para sujetarlo en su sitio con varios chasquidos.

► **Fig.19:** 1. Recipiente para polvo 2. Botones de liberación 3. Cuerpo ciclónico

**⚠PRECAUCIÓN:** Puede que el polvo se disperse hacia arriba cuando lo saque del recipiente para polvo. Tenga cuidado de no dejar que el polvo entre en sus ojos.

**AVISO:** Cuando el recipiente para polvo se ensucie, retírelo y lávelo con agua. Seque bien el recipiente para polvo antes de volver a montarlo y utilizarlo.

**AVISO:** Asegúrese de que todos los accesorios y componentes están sujetos en su sitio debidamente antes de utilizar.

**AVISO:** Si la fuerza de succión no se recupera incluso después de retirar el polvo y limpiar el filtro de malla, compruebe si se ha acumulado polvo dentro del cuerpo ciclónico o si se ha producido obturación.

## MANTENIMIENTO

**⚠PRECAUCIÓN:** Asegúrese siempre de que la herramienta está apagada y de que el cartucho de batería está retirado antes de intentar hacer una inspección o mantenimiento.

**AVISO:** No utilice nunca gasolina, bencina, disolvente, alcohol o similares. Podría producir descoloración, deformación o grietas.

Para mantener la SEGURIDAD y FIABILIDAD del producto, las reparaciones, y cualquier otra tarea de mantenimiento o ajuste deberán ser realizadas en centros de servicio o de fábrica autorizados por Makita, empleando siempre repuestos Makita.

## Después de la utilización

**⚠PRECAUCIÓN:** La colocación de la aspiradora contra una pared sin ningún otro soporte podrá ocasionar que la aspiradora se caiga, resultando en heridas personales o daños a la aspiradora.

► **Fig.20**

## Mantenimiento regular

**AVISO:** Limpie los filtros de la unidad ciclónica cuando se obstruyan. Continuar utilizándolos estando obstruidos podrá resultar en recalentamiento o en un mal funcionamiento del motor.

**AVISO:** No sople el polvo adherido a la aspiradora y los filtros con un soplador de aire. Introducirá polvo dentro del alojamiento y ocasionará fallos.

Es necesario hacer un mantenimiento rutinario para restablecer las condiciones normales de funcionamiento.

## Cuerpo de la aspiradora

Limpie el exterior de la aspiradora (cuerpo de la aspiradora) utilizando un paño humedecido en agua jabonosa, y limpie las aberturas de succión.

► Fig.21

## Unidad ciclónica y filtros

**AVISO:** Retire el polvo y limpie bien el interior de la unidad ciclónica y los filtros, cuando el rendimiento de succión se vuelva menos eficaz independientemente de la cantidad de polvo acumulado en el recipiente para polvo.

**AVISO:** Después de lavar los filtros, séquelos completamente antes de utilizar. Un secado insuficiente de los filtros puede ocasionar una mala succión y acortar la vida de servicio del motor.

**AVISO:** Después de limpiar los filtros y la lámina de esponja, asegúrese de volver a instalarlos antes de utilizar. Si utiliza la aspiradora sin los filtros y la lámina de esponja, el polvo entrará en el alojamiento del motor y ocasionará un mal funcionamiento.

### Unidad ciclónica

1. Golpee ligeramente la unidad ciclónica varias veces con su mano para retirar el polvo adherido a la superficie interior de la unidad ciclónica y el filtro.

► Fig.22: 1. Unidad ciclónica

2. Con la boca de succión apuntando hacia abajo, gire la unidad ciclónica como se muestra en la figura alineando el puntero de la unidad ciclónica con el del cuerpo de la aspiradora para soltar el bloqueo. Después retire la unidad ciclónica del cuerpo de la aspiradora con cuidado y en línea recta.

► Fig.23: 1. Unidad ciclónica 2. Boca de succión 3. Punteros 4. Filtro

**NOTA:** Puede que el polvo se disperse en el aire cuando desmonte la unidad ciclónica. Se recomienda poner una bolsa de la basura debajo de la unidad ciclónica.

3. Retire el polvo de dentro de la unidad ciclónica y del filtro.

► Fig.24

4. Vuelva a poner la unidad ciclónica en el cuerpo de la aspiradora, alineando el puntero de la unidad ciclónica con el del cuerpo de la aspiradora. Después gire la unidad ciclónica como se muestra en la figura hasta que se sujete en su sitio.

► Fig.25: 1. Unidad ciclónica 2. Cuerpo de la aspiradora 3. Punteros

### Filtro de alto rendimiento

#### Accesorios opcionales

1. Desmonte la unidad ciclónica del cuerpo de la aspiradora.

2. Sujete el filtro de alto rendimiento por el extremo de montaje y retírelo del cuerpo de la aspiradora.

► Fig.26: 1. Filtro de alto rendimiento 2. Cuerpo de la aspiradora

3. Elimine y sacuda el polvo del filtro de alto rendimiento manualmente.

► Fig.27

4. Lave el filtro de alto rendimiento en agua jabonosa cuando esté obstruido con polvo y suciedad. Séquelo completamente en la sombra antes de utilizarlo.

► Fig.28

**NOTA:** Evite apretar el extremo de unión (anillo de sellado de goma) del filtro de alto rendimiento cuando lo cuelgue para que se seque.

5. Sujete el filtro de alto rendimiento por el extremo de montaje y vuelva a insertarlo en el cuerpo de la aspiradora.

► Fig.29: 1. Filtro de alto rendimiento 2. Cuerpo de la aspiradora

### Filtro HEPA

#### Accesorios opcionales

**AVISO:** No frote o rasque el filtro HEPA con objetos duros tales como un cepillo y una paleta.

1. Desmonte la unidad ciclónica del cuerpo de la aspiradora.

2. Sujete el filtro HEPA (cubierto con el prefiltro de alto rendimiento) por el extremo de montaje y retírelo del cuerpo de la aspiradora.

► Fig.30: 1. Filtro HEPA (cubierto con el prefiltro de alto rendimiento) 2. Cuerpo de la aspiradora

3. Desmonte el prefiltro de alto rendimiento del filtro HEPA girándolo con la mano.

► Fig.31: 1. Prefiltro de alto rendimiento 2. Filtro HEPA

4. Elimine y sacuda el polvo del prefiltro de alto rendimiento y del filtro HEPA manualmente.

► Fig.32

5. Lave el prefiltro de alto rendimiento y el filtro HEPA en agua jabonosa. Enjuáguelos y séquelos completamente en la sombra antes de utilizarlos.

► Fig.33

**NOTA:** Evite apretar el extremo de unión (anillo de sellado de goma) del filtro HEPA cuando lo cuelgue para que se seque.

6. Coloque el prefiltro de alto rendimiento sobre el filtro HEPA.

► Fig.34: 1. Prefiltro de alto rendimiento 2. Filtro HEPA

7. Sujete el filtro HEPA (cubierto con el prefiltro de alto rendimiento) por el extremo de montaje y vuelva a insertarlo en el cuerpo de la aspiradora.

► Fig.35: 1. Filtro HEPA (cubierto con el prefiltro de alto rendimiento) 2. Cuerpo de la aspiradora

### Lámina de esponja

1. Desmonte la unidad ciclónica del cuerpo de la aspiradora.

2. Sujete el filtro por el extremo de montaje y retírelo del cuerpo de la aspiradora.

► Fig.36: 1. Filtro 2. Cuerpo de la aspiradora

3. Extraiga la lámina de esponja de la abertura de succión.  
▶ **Fig.37:** 1. Lámina de esponja 2. Abertura de succión
4. Retire y sacuda el polvo de la lámina de esponja manualmente.  
▶ **Fig.38**
5. Lave la lámina de esponja en agua jabonosa cuando esté obstruida con polvo y suciedad. Séquelo completamente en la sombra antes de utilizarlo.  
▶ **Fig.39**
6. Vuelva a poner la lámina de esponja en la posición original. Asegúrese de que los bordes izquierdo y derecho de la lámina de esponja estén sujetos con los topes y que no haya holgura entre la lámina de esponja y la abertura de succión.  
▶ **Fig.40:** 1. Lámina de esponja 2. Tope 3. Abertura de succión
7. Sujete el filtro por el extremo de montaje y vuelva a insertarlo en el cuerpo de la aspiradora.  
▶ **Fig.41:** 1. Filtro 2. Cuerpo de la aspiradora

## Mantenimiento basado en las condiciones

**AVISO:** Limpie el filtro de malla de la unidad ciclónica cuando se obstruya. Continuar utilizándolos estando obstruidos podrá resultar en recalentamiento o en un mal funcionamiento del motor.

Es necesario realizar una limpieza profunda y puntual de acuerdo con el rendimiento de su herramienta.

### Filtro de malla

Cuando el recipiente para polvo se ensucie o el filtro de malla se obstruya, retírelos y lávelos con agua. (Consulte "Extracción del polvo" para ver el procedimiento de extracción).

1. Sujete el recipiente para polvo firmemente y retírelo del cuerpo ciclónico mientras mantiene presionados los botones de liberación de ambos costados del recipiente para polvo.  
▶ **Fig.42:** 1. Recipiente para polvo 2. Cuerpo ciclónico 3. Botones de liberación
2. Gire el filtro de malla como se muestra en la figura para soltar el bloqueo. Después retírelo del cuerpo ciclónico.  
▶ **Fig.43:** 1. Filtro de malla
3. Desensamble el filtro de malla en tres componentes: prefiltro, filtro de esponja tubular y tubo de malla.
  - i Presione los topes guía de la parte superior del tubo de malla hasta juntarlos.
  - ii Pase los topes guía a través del agujero guía de la parte superior del prefiltro.
  - iii Tire del prefiltro a lo largo del filtro de esponja tubular y del tubo de malla.
  - iv Retire el filtro de esponja tubular del tubo de malla.
 ▶ **Fig.44:** 1. Prefiltro 2. Filtro de esponja tubular 3. Tubo de malla 4. Topes guía 5. Agujero guía

4. Elimine y sacuda el polvo de los filtros y tubo de malla manualmente.  
▶ **Fig.45**
5. Lave los filtros y el tubo de malla en agua jabonosa cuando estén obstruidos con polvo y suciedad. Séquelos completamente en la sombra antes de utilizarlos.  
▶ **Fig.46**
6. Vuelva a montar el filtro de malla.
  - i Inserte el filtro de esponja tubular en el prefiltro.
  - ii Inserte el tubo de malla en el filtro de esponja tubular y el prefiltro, pasando los topes guía de la parte superior del tubo de malla a través del agujero guía de la parte superior del prefiltro.
  - iii Empuje el tubo de malla a través del filtro de esponja tubular y el prefiltro hasta que se bloquee en su sitio con un chasquido.  
▶ **Fig.47:** 1. Prefiltro 2. Filtro de esponja tubular 3. Tubo de malla 4. Topes guía 5. Agujero guía
7. Vuelva a colocar el filtro de malla en el cuerpo ciclónico alineando los ganchos del filtro de malla con las aberturas de la salida de succión del cuerpo ciclónico. Gire el filtro de malla como se muestra en la figura hasta que los ganchos se bloqueen con un chasquido. Asegúrese de que el filtro de malla está instalado firmemente.  
▶ **Fig.48:** 1. Filtro de malla 2. Cuerpo ciclónico 3. Gancho 4. Abertura

### Canales de aire de la unidad ciclónica

Las sustancias extrañas entrantes pueden bloquear los canales de aire de la unidad ciclónica y los flujos de aire cargados. Retire cualquier objeto de la trayectoria de aire si el rendimiento de succión está siendo afectado notablemente.

1. Desensamble la unidad ciclónica en tres componentes: recipiente para polvo, filtro de malla y cuerpo ciclónico.  
▶ **Fig.49:** 1. Recipiente para polvo 2. Filtro de malla 3. Cuerpo ciclónico 4. Cuerpo de la aspiradora
2. Mantenga presionado el tope guía del tubo de entrada de aire hacia abajo a través del agujero de bloqueo del cuerpo ciclónico utilizando una herramienta manual con punta. Después separe el tubo de entrada de aire del cuerpo ciclónico.  
▶ **Fig.50:** 1. Tubo de entrada de aire 2. Tope guía 3. Cuerpo ciclónico 4. Agujero de bloqueo
3. Limpie cualquier sustancia que haya en los canales de aire.  
Las sustancias extrañas son propensas a atascarse alrededor de la abertura de aire entrante.  
▶ **Fig.51:** 1. Boca de succión 2. Abertura de aire entrante
4. Vuelva a insertar el tubo de entrada de aire en su sitio hasta que se bloquee firmemente.  
▶ **Fig.52:** 1. Tubo de entrada de aire 2. Cuerpo ciclónico 3. Junta tórica 4. Válvula de charnela

**AVISO:** Asegúrese de que la junta tórica y la válvula de charnela estén colocadas firmemente en su sitio antes de volver a ensamblar. El rendimiento de succión se puede ver afectado si la unidad ciclónica es utilizada sin la junta tórica y la válvula de charnela puestas en su sitio.

5. Vuelva a ensamblar la unidad ciclónica, y colóquela sobre el cuerpo de la aspiradora.

## Solución de problemas

Antes de solicitar una reparación, compruebe los puntos siguientes.

Síntoma	Área a investigar	Método de reparación
Poca potencia de succión	¿Está el recipiente para polvo o el interior de la unidad ciclónica lleno de polvo?	Vacíe el recipiente para polvo o la unidad ciclónica.
	¿Están obstruidos los filtros?	Retire el polvo o lave el filtro de alto rendimiento/filtro HEPA/lámina de esponja/filtro de malla.
	¿Hay algo que bloquee los canales de aire entrante?	Retire cualquier resto de polvo y objetos de las aberturas y canales de aire.
	¿Está descargado el cartucho de batería?	Cargue cartucho de batería.
No funciona	¿Está descargado el cartucho de batería?	Cargue cartucho de batería.
Ruido y vibración	¿Están obstruidos los filtros?	Retire el polvo o lave el filtro de alto rendimiento/filtro HEPA/lámina de esponja/filtro de malla.
	¿Hay algo bloqueando las aberturas o agujeros?	Retire cualquier resto de polvo u objetos que pueda haber dentro de las boquillas, tubos y aberturas para aire.
	¿Está cerrada la boca de succión de la boquilla o del tubo?	Destape y abra la boca de succión de la boquilla y del tubo.

**⚠PRECAUCIÓN:** No intente reparar la aspiradora usted mismo.

## ACCESORIOS OPCIONALES

**⚠PRECAUCIÓN:** Estos accesorios o aditamentos están recomendados para su uso con la herramienta Makita especificada en este manual.

El uso de cualquier otro accesorio o aditamento puede suponer un riesgo de heridas personales. Utilice el accesorio o aditamento solamente con la finalidad indicada para el mismo.

Si necesita cualquier ayuda para más detalles en relación con estos accesorios, pregunte al centro de servicio Makita local.

- Tubo de extensión (Tubo recto)
- Boquilla
- Boquilla para alfombras
- Cepillo para estanterías
- Boquilla para esquinas
- Cepillo redondo
- Manguera flexible
- Filtro de alto rendimiento
- Filtro HEPA
- Boquilla para asientos
- Boquilla para resquicios
- Bolsa de herramientas
- Batería y cargador genuinos de Makita

**NOTA:** Algunos elementos de la lista podrán estar incluidos en el paquete de la herramienta como accesorios estándar. Pueden variar de un país a otro.

## AVISO

- Este aparelho pode ser utilizado por crianças com idade a partir de 8 anos e por pessoas com capacidades físicas, sensoriais ou mentais reduzidas ou falta de experiência e conhecimento, se tiverem recebido supervisão ou instruções relativamente à utilização do aparelho de forma segura e tiverem compreendido os perigos envolvidos.
- As crianças não devem brincar com o aparelho. A limpeza e manutenção pelo utilizador não devem ser efetuadas por crianças sem supervisão.
- Consulte o capítulo “ESPECIFICAÇÕES” para ficar a saber a referência de tipo da bateria.
- Consulte a secção “Instalar ou remover a bateria” para saber como remover ou instalar a bateria.
- Quando eliminar a bateria, remova-a da ferramenta e elimine-a num local seguro. Siga os regulamentos locais relacionados com a eliminação de baterias.
- Se a ferramenta não for utilizada durante um período de tempo prolongado, a bateria deve ser removida da ferramenta.
- Não coloque a bateria em curto-circuito.
- Consulte o capítulo “MANUTENÇÃO” para obter as informações adequadas sobre as precauções a ter durante a manutenção pelo utilizador.

## ESPECIFICAÇÕES

Modelo:		CL003G
Capacidade		250 mL / 400 mL (específico do país)
Utilização contínua (com bateria BL4025)	1 (Modo silencioso)	Aprox. 80 min
	2 (Modo de velocidade normal)	Aprox. 40 min
	3 (Modo de velocidade alta)	Aprox. 25 min
	4 (Modo de velocidade máx.)	Aprox. 16 min
Comprimento total (com tubo, bocal e bateria BL4025)		1.106 mm
Voltagem nominal		C.C. 36 V - 40 V máx.
Peso líquido		1,9 - 2,6 kg

- Devido a um programa contínuo de pesquisa e desenvolvimento, estas especificações estão sujeitas a alteração sem aviso prévio.
- As especificações podem variar de país para país.
- O peso não inclui os acessórios mas a(s) bateria(s). Os pesos combinados mais leve e mais pesado do aparelho e da(s) bateria(s) são indicados na tabela.

### Bateria e carregador aplicável

Bateria	BL4020* / BL4025* / BL4040* / BL4050F *: Bateria recomendada
Carregador	DC40RA / DC40RB / DC40RC

- Algumas das baterias e carregadores listados acima poderão não estar disponíveis, dependendo da sua região de residência.

**⚠AVISO:** Utilize apenas as baterias e carregadores listados acima. A utilização de quaisquer outras baterias e carregadores pode causar ferimentos e/ou um incêndio.

## Símbolos

A seguir são apresentados os símbolos que podem ser utilizados para o equipamento. Certifique-se de que compreende o seu significado antes da utilização.



Leia o manual de instruções.



Uma bateria típica aplicável a este produto.



Apenas para países da UE  
Devido à presença de componentes perigosos no equipamento, os resíduos de equipamentos elétricos e eletrônicos, acumuladores e baterias podem ter um impacto negativo no meio ambiente e na saúde humana.  
Não elimine aparelhos elétricos e eletrônicos ou baterias juntamente com resíduos domésticos!  
De acordo com a Diretiva europeia relativa aos resíduos de equipamentos elétricos e eletrônicos, acumuladores e baterias, bem como a respetiva adaptação à legislação nacional, os resíduos de equipamentos elétricos e eletrônicos, acumuladores e baterias devem ser armazenados separadamente e entregues num ponto de recolha separado para resíduos municipais, que opere de acordo com os regulamentos de proteção ambiental.  
Tal é indicado pelo símbolo de contenedor de lixo com rodas barrado com uma cruz colocado no equipamento.

## Utilização a que se destina

Esta ferramenta serve para recolher pó seco.

## AVISOS DE SEGURANÇA

### Avisos de segurança do aspirador de pó a bateria

**⚠ AVISO: IMPORTANTE! LEIA COM ATENÇÃO todos os avisos de segurança e todas as instruções ANTES DA UTILIZAÇÃO.** Caso não siga os avisos e instruções, pode apanhar um choque elétrico, provocar um incêndio e/ou ferimentos graves.

1. Não exponha à chuva. Guarde dentro de casa.
2. Não permita que seja utilizado como brinquedo. Tenha cuidado especialmente quando o aparelho for utilizado por crianças ou próximo delas.
3. Utilize-o somente de acordo com as instruções deste manual. Utilize somente os acessórios recomendados pelo fabricante.
4. Não utilize com uma bateria danificada. Se o aparelho não funcionar corretamente, for derrubado, danificado, deixado ao ar livre ou cair na água, leve-o ao centro de assistência.
5. Não manuseie o aparelho com as mãos molhadas.
6. Não coloque nenhum objeto nas aberturas. Não o utilize com uma abertura bloqueada; mantenha-o limpo, sem poeira, pelos, cabelos ou qualquer outra coisa que possa reduzir o fluxo de ar.
7. Mantenha os cabelos, roupas largas, dedos e outras partes do corpo afastadas das aberturas e das peças em movimento.
8. Desligue todos os controlos antes de retirar a bateria.
9. Tenha cuidado especialmente ao limpar escadas.
10. Não utilize para aspirar líquidos inflamáveis ou combustíveis, tal como gasolina, nem utilize em áreas onde esses produtos podem estar presentes.
11. Utilize somente o carregador fornecido pelo fabricante para recarregar.
12. Não utilize para aspirar algo que está a queimar ou a soltar fumo, tal como cigarros, fósforos ou cinzas quentes.
13. Não utilize sem o saco para pó e/ou os filtros devidamente instalados.
14. Não carregue a bateria ao ar livre.
15. Recarregue apenas com o carregador especificado pelo fabricante. Um carregador que é adequado para um tipo de conjunto de baterias poderá criar um risco de incêndio quando utilizado com outro conjunto de baterias.
16. Utilize aparelhos apenas com conjuntos de baterias especificamente designados. A utilização de quaisquer outros conjuntos de baterias poderá criar um risco de ferimentos e incêndio.
17. Quando (o) conjunto de baterias não estiver a ser utilizado, mantenha-o afastado de outros objetos de metal, tais como cliques de papel, moedas, chaves, pregos, parafusos ou outros objetos de metal pequenos que possam estabelecer ligação de um terminal a outro.
18. Mediante condições abusivas, o líquido poderá ser ejetado da bateria; evite o contacto. Caso ocorra o contacto acidentalmente, lavar com água.
19. Não utilize um conjunto de baterias ou um aparelho que se encontre danificado ou modificado. As baterias danificadas ou modificadas poderão exibir um comportamento imprevisível, resultando em incêndio, explosão ou risco de ferimentos.
20. Não exponha um conjunto de baterias ou um aparelho a incêndio ou temperatura excessiva. A exposição a incêndio ou a uma temperatura superior a 130 °C poderá causar uma explosão.
21. Siga todas as instruções de carregamento e não carregue o conjunto de baterias ou o aparelho fora da amplitude de temperaturas especificada nas instruções. O carregamento incorreto ou a temperaturas fora da amplitude especificada poderá danificar a bateria e aumentar o risco de incêndio.

## GUARDE ESTAS INSTRUÇÕES.

## REGRAS DE SEGURANÇA ADICIONAIS

Este aparelho destina-se à utilização doméstica.

1. Antes de utilizar o aparelho, leia cuidadosamente este manual de instruções bem como o manual do carregador.
2. Não aspire os seguintes materiais:
  - Materiais quentes, tais como cigarros acesos ou faíscas/pó de metal produzidos ao esmerilar/cortar metal
  - Materiais inflamáveis, tais como gasolina, diluentes, benzina, querosene ou tinta
  - Materiais explosivos como nitroglicerina
  - Materiais inflamáveis, tais como alumínio, zinco, magnésio, titânio, fósforo ou celulósido
  - Sujidade húmida, água, óleo, etc.
  - Artigos rígidos com arestas cortantes, tais como aparas de madeira, metais, pedras, vidros, pregos, pinos e lâminas de barbear
  - Pó para solidificar, como cimento ou tónor
  - Pó condutivo, tal como metal ou carbono
  - Partículas minúsculas como de betãoIsso pode provocar incêndio, ferimentos e/ou danos à propriedade.
3. Desligue o aspirador imediatamente se notar qualquer funcionamento anormal.
4. Se deixar cair ou bater o aspirador, inspecione cuidadosamente para ver se há rachaduras ou danos antes de utilizar.
5. Não aproxime de fogões nem de outras fontes de calor.
6. Não bloqueie os orifícios de entrada e saída de ar.

## GUARDE ESTAS INSTRUÇÕES.

### Instruções de segurança importantes para a bateria

1. Antes de utilizar a bateria, leia todas as instruções e etiquetas de precaução no (1) carregador de bateria (2) bateria e (3) produto que utiliza a bateria.
2. Não desmonte ou manipule a bateria. Pode resultar num incêndio, em calor excessivo ou numa explosão.
3. Se o tempo de funcionamento se tornar excessivamente curto, pare o funcionamento imediatamente. Pode resultar em sobreaquecimento, possíveis queimaduras e mesmo explosão.
4. Se entrar eletrólito nos seus olhos, lave-os com água e consulte imediatamente um médico. Pode resultar em perda de visão.
5. Não coloque a bateria em curto-circuito:
  - (1) Não toque nos terminais com qualquer material condutor.
  - (2) Evite guardar a bateria juntamente com outros objetos metálicos tais como pregos, moedas, etc.
  - (3) Não exponha a bateria à água ou chuva.

Um curto-circuito pode ocasionar um enorme fluxo de corrente, sobreaquecimento, possíveis queimaduras e mesmo estragar-se.

6. Não guarde nem utilize a ferramenta e a bateria em locais onde a temperatura pode atingir ou exceder 50 °C.
7. Não queime a bateria mesmo que esteja estragada ou completamente gasta. A bateria pode explodir no fogo.
8. Não pregue, corte, esmague, atire, deixe cair a bateria, nem bata a bateria contra um objeto rijo. Esta conduta pode resultar num incêndio, em calor excessivo ou numa explosão.
9. Não utilize uma bateria danificada.
10. As baterias de íões de lítio contidas na ferramenta são sujeitas aos requisitos da DGL (Dangerous Goods Legislation - Legislação de bens perigosos).

Para o transporte comercial, por exemplo, por terceiros ou agentes de expedição, têm de ser observados os requisitos referentes à embalagem e etiquetagem.

Para preparação do artigo a ser expedido, é necessário consultar um perito em materiais perigosos. Tenha ainda em conta a possibilidade de existirem regulamentos nacionais mais detalhados.

Coloque fita-cola ou tape os contactos abertos e embale a bateria de tal forma que não possa mover-se dentro da embalagem.
11. Quando eliminar a bateria, remova-a da ferramenta e elimine-a num local seguro. Siga os regulamentos locais relacionados com a eliminação de baterias.
12. Utilize as baterias apenas com os produtos especificados pela Makita. Instalar as baterias em produtos não-conformes poderá resultar num incêndio, calor excessivo, explosão ou fuga de eletrólito.
13. Se a ferramenta não for utilizada durante um período de tempo prolongado, a bateria deve ser removida da ferramenta.
14. Durante e após a utilização, a bateria pode aquecer, o que pode provocar queimaduras ou queimaduras a baixa temperatura. Preste atenção ao manuseamento de baterias quentes.
15. Não toque no terminal da ferramenta imediatamente após a utilização, pois pode ficar suficientemente quente para provocar queimaduras.
16. Não permita a adesão de aparas, pó ou sujidade nos terminais, nos orifícios e nas ranhuras da bateria. Poderá fazer com que a ferramenta ou a bateria aqueça, incendeie, rebente e avarie, resultando em queimaduras ou ferimentos corporais.
17. A menos que a ferramenta suporte a utilização perto de linhas elétricas de alta tensão, não utilize a bateria perto de linhas elétricas de alta tensão. Pode resultar no mau funcionamento ou na avaria da ferramenta ou bateria.
18. Mantenha a bateria afastada das crianças.

## GUARDE ESTAS INSTRUÇÕES.

**⚠️PRECAUÇÃO:** Utilize apenas baterias genuínas da Makita. A utilização de baterias não genuínas da Makita ou de baterias que foram alteradas, pode resultar no rebentamento da bateria provocando incêndios, ferimentos pessoais e danos. Além disso, anulará da garantia da Makita no que se refere à ferramenta e ao carregador Makita.

## Conselhos para manter a máxima vida útil da bateria

1. Carregue a bateria antes que esteja completamente descarregada. Pare sempre o funcionamento da ferramenta e carregue a bateria quando notar menos poder na ferramenta.
2. Nunca carregue uma bateria completamente carregada. Carregamento excessivo diminui a vida útil da bateria.
3. Carregue a bateria à temperatura ambiente de 10 °C – 40 °C. Deixe que uma bateria quente arrefeça antes de a carregar.
4. Quando não utilizar a bateria, remova-a da ferramenta ou do carregador.
5. Carregue a bateria se não a utilizar durante um longo período de tempo (mais de seis meses).

## DESCRIÇÃO FUNCIONAL

**⚠️PRECAUÇÃO:** Certifique-se sempre de que a ferramenta está desligada e a bateria foi retirada antes de regular ou verificar qualquer função na ferramenta.

**⚠️PRECAUÇÃO:** Ao colocar a bateria, tome cuidado para não prender o(s) dedo(s) entre o aspirador e a bateria, como ilustrado no diagrama. Poderá sofrer ferimentos no(s) dedo(s).

► Fig.1

## Instalação ou remoção da bateria

**⚠️PRECAUÇÃO:** Desligue sempre a ferramenta antes de colocar ou retirar a bateria.

**⚠️PRECAUÇÃO:** Segure firmemente a ferramenta e a bateria quando instalar ou remover a bateria. Se não segurar firmemente a ferramenta e a bateria pode fazer com que escorreguem das suas mãos resultando em danos na ferramenta e na bateria e ferimentos pessoais.

► Fig.2: 1. Indicador vermelho 2. Botão 3. Bateria

Para retirar a bateria, deslize-a para fora da ferramenta enquanto desliza o botão na frente da bateria.

Para instalar a bateria, alinhe a lingueta na bateria com a ranhura na caixa e deslize-a para a posição correta. Insira-a por completo até bloquear na posição correta com um pequeno clique. Se conseguir ver o indicador vermelho conforme apresentado na figura, não está completamente bloqueada.

**⚠️PRECAUÇÃO:** Instale sempre a bateria até ao fim, até deixar de ver o indicador vermelho. Caso contrário, a bateria poderá cair da ferramenta acidentalmente e provocar ferimentos em si mesmo ou em alguém próximo.

**⚠️PRECAUÇÃO:** Não instale a bateria à força. Se a bateria não deslizar facilmente é porque não foi colocada corretamente.

## Sistema de proteção da bateria

A ferramenta está equipada com um sistema de proteção da ferramenta/bateria. Este sistema desliga automaticamente a alimentação do motor para prolongar a vida útil da ferramenta e da bateria. A ferramenta para automaticamente durante a operação se a ferramenta ou a bateria for colocada sob uma das seguintes condições.

### Sobrecarga:

A ferramenta/bateria é utilizada de uma forma que causa a absorção de uma corrente anormalmente alta. Neste caso, desligue a ferramenta e pare a aplicação que fez com que a ferramenta ficasse sobrecarregada. Depois, ligue a ferramenta para a reiniciar.

Se a ferramenta não arrancar, a ferramenta/bateria está sobreaquecida. Nesta situação, deixe a ferramenta/bateria arrefecer antes de voltar a ligar a ferramenta.

### Baixa tensão da bateria:

A carga restante da bateria está baixa demais e a ferramenta não funciona. Nesse caso, retire a bateria e recarregue-a.

### Proteções contra outras causas:

O sistema de proteção foi também concebido para outras causas que possam danificar a ferramenta e permite à ferramenta parar automaticamente. Tome todas as medidas que se seguem para eliminar as causas quando a ferramenta tiver parado ou interrompido temporariamente a operação.

1. Desligue a ferramenta e, em seguida, volte a ligá-la para reiniciar.
2. Carregue a(s) bateria(s) ou substitua-a(s) por bateria(s) recarregada(s).
3. Deixe a ferramenta e a(s) bateria(s) arrefecerem.

Se não for possível constatar qualquer melhoria através do restauro do sistema de proteção, contacte o centro de assistência Makita local.



## Indicação da capacidade restante da bateria

Prima o botão de verificação na bateria para indicar a capacidade restante da bateria. As luzes indicadoras acendem durante alguns segundos.

► **Fig.3:** 1. Luzes indicadoras 2. Botão de verificação

Luzes indicadoras			Capacidade restante
Aceso	Apagado	A piscar	
			75% a 100%
			50% a 75%
			25% a 50%
			0% a 25%
			Carregar a bateria.
			A bateria pode estar avariada.

**NOTA:** Dependendo das condições de utilização e da temperatura ambiente, a indicação pode ser ligeiramente diferente da capacidade real.

**NOTA:** A primeira luz indicadora (extremo esquerdo) pisca quando o sistema de proteção da bateria funciona.

## Ação do interruptor

► **Fig.4:** 1. Botão de mudança da potência de sucção  
2. Botão LIGAR/DESLIGAR

Para efetuar o arranque do aspirador, prima simplesmente o botão LIGAR/DESLIGAR. Para desligar, prima novamente o botão LIGAR/DESLIGAR.

Pode alterar a potência de sucção do aspirador em quatro passos premindo o botão de mudança da potência de sucção. De cada vez que premir este botão, o modo Silencioso/Normal/Alta/Máx. repete-se num ciclo.

Nível	Indicação	Modo
1		Modo silencioso
2		Modo de velocidade normal
3		Modo de alta velocidade
4		Modo de velocidade máx.

**NOTA:** Pode alterar a potência de sucção antes de ligar o aspirador.

**NOTA:** O aspirador inicia a operação com a mesma potência de sucção da última operação.

## Acender a luz

**⚠PRECAUÇÃO:** Não olhe para a luz ou para a fonte de iluminação diretamente.

Para acender a lâmpada, prima o botão de mudança da potência de sucção. A lâmpada apaga-se em, aproximadamente, 10 segundos.

Enquanto o aspirador está a funcionar, a lâmpada acende-se.

A lâmpada apaga-se, aproximadamente, 10 segundos depois de parar a operação.

**NOTA:** Quando a restante capacidade da bateria ficar fraca, a lâmpada começa a piscar. O momento em que a lâmpada começa a piscar depende da temperatura no local de trabalho e das condições da bateria.

► **Fig.5:** 1. Botão de mudança da potência de sucção  
2. Botão LIGAR/DESLIGAR 3. Lâmpada

## DESCRIÇÃO DAS PEÇAS

*Específico para o país*

► **Fig.6**

1	Caixa do pó de 250 mL (acessório opcional)	2	Caixa do pó de 400 mL (acessório opcional)	3	Filtro de rede	4	Corpo de ciclone
5	Filtro de elevado desempenho (estrutura do filtro na cor cinzenta) (acessório opcional)	6	Filtro HEPA (estrutura do filtro na cor branca) (acessório opcional)	7	Folha da esponja	8	Armação do aspirador
9	Alça de mão (específico do país)	-	-	-	-	-	-

## MONTAGEM

**⚠PRECAUÇÃO:** Certifique-se sempre de que a ferramenta está desligada e a bateria retirada antes de executar qualquer trabalho na ferramenta.

**OBSERVAÇÃO:** Certifique-se de que todos os acessórios e componentes estão fixos na posição devida antes da utilização.

### Instalar e remover os acessórios do aspirador

**⚠PRECAUÇÃO:** Após instalar os acessórios, verifique se estes estão firmemente instalados. Se instalar os acessórios de forma imperfeita, estes podem soltar-se e provocar ferimentos pessoais.

**⚠PRECAUÇÃO:** Tenha cuidado para não bater com a mão na parede, etc. quando remover os acessórios.

### Quando utilizar o acessório com a função de bloqueio

Para instalar o acessório, insira-o no bocal de sucção do aspirador até encaixar. Certifique-se de que o acessório está bloqueado.

► **Fig.7:** 1. Bocal de sucção 2. Acessório com a função de bloqueio 3. Gancho

**OBSERVAÇÃO:** Quando instalar o acessório com a função de bloqueio, certifique-se de que alinha o botão de libertação no aspirador com o gancho no acessório. Se não estiverem alinhados, o acessório não bloqueia e pode soltar-se do aspirador.

Para remover o acessório, retire-o do aspirador enquanto pressiona e segura os braços do botão de libertação.

► **Fig.8:** 1. Botão de libertação 2. Braço do botão de libertação 3. Acessório com a função de bloqueio 4. Bocal de sucção

### Quando utilizar o acessório sem a função de bloqueio

**OBSERVAÇÃO:** Para instalar o acessório sem a função de bloqueio, insira-o no bocal de sucção do aspirador, rodando-o como indicado na figura. Para desprender o acessório, liberte-o do aspirador, rodando-o como indicado na figura. Evite torcer o acessório na direção oposta à seta na figura, pois pode soltar a unidade de ciclone.

► **Fig.9**

## OPERAÇÃO

**⚠PRECAUÇÃO:** Não coloque o rosto próximo do orifício de ventilação quando utilizar o aspirador. Se objetos estranhos forem soprados para os olhos, pode resultar em ferimentos pessoais.

**OBSERVAÇÃO:** Evite utilizar o aspirador numa posição horizontal virada para cima. Caso contrário, pode fazer com que o filtro de rede fique obstruído.

**OBSERVAÇÃO:** Utilize sempre o aspirador com os filtros instalados. A utilização do aspirador sem filtros pode dar origem a uma avaria do motor.

**OBSERVAÇÃO:** Esvazie a caixa do pó na unidade de ciclone quando o pó tiver acumulado. A utilização continuada vai provocar o enfraquecimento da força de sucção.

A unidade de ciclone ajuda a reduzir a quantidade de pó que entra no aspirador, melhorando o desempenho de sucção com a eliminação fácil e simples do pó.

### Limpeza (Sucção)

#### Bocal

**Apenas com caixa do pó de 250 mL**

Instale o bocal para limpar mesas, secretárias, móveis, etc. O bocal encaixa com facilidade.

► **Fig.10:** 1. Bocal

#### Bocal + Tubo extensor (tubo reto)

O tubo extensor é conectado entre o bocal e o aspirador. Esta disposição é conveniente para limpar um pavimento numa posição vertical.

► **Fig.11:** 1. Armação do aspirador 2. Tubo extensor 3. Bocal

#### Bocal para cantos

Encaixe o bocal para cantos para limpeza de cantos e frestas de carros ou móveis.

► **Fig.12:** 1. Bocal para cantos 2. Armação do aspirador

Pode guardar o bocal para cantos no suporte do bocal.

► **Fig.13:** 1. Suporte do bocal 2. Bocal para cantos

**⚠PRECAUÇÃO:** Tenha cuidado para não prender o(s) dedo(s) entre o bocal para cantos e o suporte do bocal. Prender o(s) dedo(s) pode provocar ferimentos.

#### Bocal para cantos + Tubo extensor (Tubo reto)

Utilize este arranjo para limpar em locais estreitos onde o aspirador não entra ou em locais altos de difícil acesso.

► **Fig.14:** 1. Bocal para cantos 2. Tubo extensor 3. Armação do aspirador

## Limpeza sem o bocal

Apenas com caixa do pó de 250 mL

É possível fazer a aspiração de poeira e pó sem o bocal.

► Fig.15

Para recolher pó num piso numa posição vertical, é conveniente prender o tubo extensor (tubo reto) ao aspirador.

► Fig.16: 1. Tubo extensor

## Eliminar o pó

**PRECAUÇÃO:** Esvazie o aspirador antes que fique muito cheio, caso contrário a força de sucção diminuirá.

**PRECAUÇÃO:** Tenha cuidado para não prender o(s) dedo(s) entre a caixa do pó e o corpo de ciclone quando realizar a remontagem.

Elimine o pó acumulado como indicado a seguir antes que exceda a linha de eliminação de pó.

1. Aponte o aspirador com a cabeça para baixo, segure a caixa do pó firmemente e, em seguida, separe-a do corpo de ciclone enquanto pressiona sem soltar os botões de libertação em ambos os lados da caixa do pó.

► Fig.17: 1. Linha de eliminação de pó 2. Caixa do pó 3. Botões de libertação 4. Filtro de rede

2. Esvazie a caixa do pó e limpe o pó aderido do filtro de rede.

► Fig.18

3. Coloque a caixa do pó novamente no corpo de ciclone para fixá-la na posição correta até encaixar.

► Fig.19: 1. Caixa do pó 2. Botões de libertação 3. Corpo de ciclone

**PRECAUÇÃO:** O pó pode levantar quando estiver a eliminá-lo da caixa do pó. Tenha cuidado para não permitir a entrada de pó nos seus olhos.

**OBSERVAÇÃO:** Quando a caixa do pó ficar suja, remova-a e limpe-a com água. Seque a caixa do pó completamente antes da remontagem e utilização.

**OBSERVAÇÃO:** Certifique-se de que todos os acessórios e componentes estão fixos na posição devida antes da utilização.

**OBSERVAÇÃO:** Se a força de sucção não melhorar mesmo após eliminar o pó e limpar o filtro de rede, verifique se o pó se acumulou dentro do corpo de ciclone ou se ocorreu obstrução.

## MANUTENÇÃO

**PRECAUÇÃO:** Certifique-se sempre de que a ferramenta se encontra desligada e de que a bateria foi retirada antes de executar qualquer inspeção ou manutenção.

**OBSERVAÇÃO:** Nunca utilize gasolina, benzina, diluente, álcool ou produtos semelhantes. Pode ocorrer a descoloração, deformação ou rachaduras.

Para manter a SEGURANÇA e a FIABILIDADE do produto, as reparações e qualquer outra manutenção ou ajuste devem ser levados a cabo pelos centros de assistência Makita autorizados ou pelos centros de assistência de fábrica, utilizando sempre peças de substituição Makita.

## Após utilização

**PRECAUÇÃO:** Colocar o aspirador contra a parede sem qualquer outro suporte pode fazer com que o aspirador caia, resultando em ferimentos corporais ou danos no aspirador.

► Fig.20

## Manutenção regular

**OBSERVAÇÃO:** Limpe os filtros na unidade de ciclone quando ficarem obstruídos. A utilização continuada no estado obstruído pode dar origem a aquecimento ou avaria do motor.

**OBSERVAÇÃO:** Não sobre pó colado no aspirador e nos filtros através do espanador de pó. Traz pó para dentro do compartimento e causa avaria.

A manutenção regular é necessária para restaurar as condições de funcionamento normais.

## Armação do aspirador

Limpe o exterior do aspirador (armação do aspirador) com um pano humedecido em água e sabão e limpe as aberturas de sucção.

► Fig.21

## Unidade de ciclone e filtros

**OBSERVAÇÃO:** Sacuda o pó e limpe o interior da unidade de ciclone e os filtros quando o desempenho de sucção se tornar menos eficaz, independentemente da quantidade de pó recolhido na caixa do pó.

**OBSERVAÇÃO:** Após lavar os filtros, seque-os bem antes da utilização. Os filtros secos de forma insuficiente podem prejudicar a sucção e diminuir a vida útil do motor.

**OBSERVAÇÃO:** Após limpar os filtros e a folha de esponja, certifique-se de que os instala antes de usar. Se utilizar o aspirador sem os filtros e a folha de esponja, o pó entra na caixa do motor e provoca anomalias.

## Unidade de ciclone

1. Bata várias vezes na unidade de ciclone com a mão para remover o pó aderido na superfície interior da unidade de ciclone e do filtro.

► **Fig.22:** 1. Unidade de ciclone

2. Com o bocal de sucção a apontar para baixo, rode a unidade de ciclone como indicado na figura, alinhando a seta na unidade de ciclone com a seta da armação do aspirador para desengatar o bloqueio. Em seguida, desprenda a unidade de ciclone da armação do aspirador de forma lenta e direta.

► **Fig.23:** 1. Unidade de ciclone 2. Bocal de sucção 3. Setas 4. Filtro

**NOTA:** O pó pode levantar quando a unidade de ciclone for desmontada. Recomenda-se que coloque um saco do lixo sob a unidade de ciclone.

3. Sacuda o pó no interior da unidade de ciclone e do filtro.

► **Fig.24**

4. Coloque a unidade de ciclone novamente na armação do aspirador, alinhando a seta na unidade de ciclone com a seta na armação do aspirador. Em seguida, rode a unidade de ciclone como indicado na figura até estar fixa na posição correta.

► **Fig.25:** 1. Unidade de ciclone 2. Armação do aspirador 3. Setas

## Filtro de elevado desempenho

### Acessório opcional

1. Desmonte a unidade de ciclone da armação do aspirador.

2. Segure a extremidade de montagem do filtro de elevado desempenho e retire-a da armação do aspirador.

► **Fig.26:** 1. Filtro de elevado desempenho 2. Armação do aspirador

3. Limpe e sacuda manualmente o pó do filtro de elevado desempenho.

► **Fig.27**

4. Lave o filtro de elevado desempenho em água e sabão quando estiver obstruído com pó e sujidade. Seque-o completamente à sombra antes de utilizar.

► **Fig.28**

**NOTA:** Evite apertar a extremidade do acessório (anel vedante de borracha) do filtro de elevado desempenho quando pendurá-lo para secar.

5. Segure a extremidade de montagem do filtro de elevado desempenho e aperte-a novamente para dentro da armação do aspirador.

► **Fig.29:** 1. Filtro de elevado desempenho 2. Armação do aspirador

## Filtro HEPA

### Acessório opcional

**OBSERVAÇÃO:** Não esfregue ou arranhe o filtro HEPA com objetos duros, tais como uma escova e uma palheta.

1. Desmonte a unidade de ciclone da armação do aspirador.

2. Segure a extremidade de montagem do filtro HEPA (coberto com o pré-filtro de elevado desempenho) e retire-a da armação do aspirador.

► **Fig.30:** 1. Filtro HEPA (coberto com pré-filtro de elevado desempenho) 2. Armação do aspirador

3. Desmonte o pré-filtro de elevado desempenho do filtro HEPA rodando-o manualmente.

► **Fig.31:** 1. Pré-filtro de elevado desempenho 2. Filtro HEPA

4. Limpe e sacuda manualmente o pó do pré-filtro de elevado desempenho e do filtro HEPA.

► **Fig.32**

5. Lave o pré-filtro de elevado desempenho e o filtro HEPA em água e sabão. Enxágue e seque-os completamente à sombra antes de utilizar.

► **Fig.33**

**NOTA:** Evite apertar a extremidade do acessório (anel vedante de borracha) do filtro HEPA quando pendurá-lo para secar.

6. Instale o pré-filtro de elevado desempenho no filtro HEPA.

► **Fig.34:** 1. Pré-filtro de elevado desempenho 2. Filtro HEPA

7. Segure a extremidade de montagem do filtro HEPA (coberto com o pré-filtro de elevado desempenho) e aperte-o novamente para dentro da armação do aspirador.

► **Fig.35:** 1. Filtro HEPA (coberto com o pré-filtro de elevado desempenho) 2. Armação do aspirador

## Folha da esponja

1. Desmonte a unidade de ciclone da armação do aspirador.

2. Segure a extremidade de montagem do filtro e retire-a da armação do aspirador.

► **Fig.36:** 1. Filtro 2. Armação do aspirador

3. Retire a folha de esponja da abertura de sucção.

► **Fig.37:** 1. Folha da esponja 2. Abertura de sucção

4. Limpe e sacuda manualmente o pó da folha de esponja.

► **Fig.38**

5. Lave a folha de esponja em água e sabão quando estiver obstruída com pó e sujidade. Seque-o completamente à sombra antes de utilizar.

► **Fig.39**

6. Coloque a folha de esponja novamente na posição original. Certifique-se de que os bordos esquerdo e direito da folha de esponja estão fixos com batentes e que não existe folga entre a folha de esponja e a abertura de sucção.

► **Fig.40:** 1. Folha da esponja 2. Batente 3. Abertura de sucção

7. Segure a extremidade de montagem do filtro e aperte-a novamente para dentro da armação do aspirador.

► **Fig.41:** 1. Filtro 2. Armação do aspirador

## Manutenção com base nas condições

**OBSERVAÇÃO:** Limpe o filtro de rede na unidade de ciclone quando ficar obstruído. A utilização continuada no estado obstruído pode dar origem a aquecimento ou avaria do motor.

É necessário realizar uma limpeza profunda e localizada de acordo com o desempenho da sua ferramenta.

### Filtro de rede

Quando a caixa do pó ficar suja ou o filtro de rede estiver obstruído, remova-os e lave-os com água. (Consulte “Eliminar o pó” para ficar a conhecer o procedimento de remoção.)

1. Segure a caixa do pó firmemente e separe-a do corpo de ciclone enquanto pressiona sem soltar os botões de libertação em ambos os lados da caixa do pó.

► **Fig.42:** 1. Caixa do pó 2. Corpo de ciclone  
3. Botões de libertação

2. Rode o filtro de rede como indicado na figura para desengatar o bloqueio. Em seguida, desprenda-o do corpo de ciclone.

► **Fig.43:** 1. Filtro de rede

3. Desmonte o filtro de rede em três componentes: pré-filtro, filtro de esponja tubular e tubo de rede.

i Aperte os batentes da guia em cima do tubo de rede, juntando-os.

ii Passe os batentes da guia por baixo através do orifício da guia em cima do pré-filtro.

iii Puxe o pré-filtro ao longo do filtro de esponja tubular e do tubo de rede.

iv Remova o filtro de esponja tubular do tubo de rede.

► **Fig.44:** 1. Pré-filtro 2. Filtro de esponja tubular  
3. Tubo de rede 4. Batentes da guia  
5. Orifício da guia

4. Limpe e sacuda manualmente o pó dos filtros e do tubo de rede.

► **Fig.45**

5. Lave os filtros e o tubo de rede em água e sabão quando estiverem obstruídos com pó e sujidade.

Seque-os completamente à sombra antes de utilizar.

► **Fig.46**

6. Remonte o filtro de rede.

i Insira o filtro de esponja tubular no pré-filtro.

ii Insira o tubo de rede no filtro de esponja tubular e no pré-filtro, passando os batentes da guia em cima do tubo de rede através do orifício da guia em cima do pré-filtro.

iii Empurre o tubo de rede através do filtro de esponja tubular e do pré-filtro até bloquear na posição correta e encaixar.

► **Fig.47:** 1. Pré-filtro 2. Filtro de esponja tubular  
3. Tubo de rede 4. Batentes da guia  
5. Orifício da guia

7. Instale o filtro de rede novamente no corpo de ciclone, alinhando os ganchos no filtro de rede com as portas na saída de sucção do corpo de ciclone. Rode o filtro de rede como indicado na figura até os ganchos ficarem bloqueados com um clique. Certifique-se de que o filtro de rede está firmemente instalado.

► **Fig.48:** 1. Filtro de rede 2. Corpo de ciclone  
3. Gancho 4. Porta

### Canais de ar na unidade de ciclone

As substâncias estranhas introduzidas podem bloquear os canais de ar na unidade de ciclone e carregar os fluxos de ar. Remova quaisquer obstáculos no trajeto do ar se o desempenho de sucção estiver a ser afetado notoriamente.

1. Desmonte a unidade de ciclone em três componentes: caixa do pó, filtro de rede e corpo de ciclone.

► **Fig.49:** 1. Caixa do pó 2. Filtro de rede 3. Corpo de ciclone 4. Armação do aspirador

2. Pressione sem soltar o batente da guia no tubo de entrada para baixo através do orifício de bloqueio no corpo de ciclone, utilizando a ferramenta manual com um ponto. Em seguida, desprenda o tubo de entrada do corpo de ciclone.

► **Fig.50:** 1. Tubo de entrada 2. Batente da guia  
3. Corpo de ciclone 4. Orifício de bloqueio

3. Limpe qualquer substância presente nos canais de ar.

É provável que substâncias estranhas fiquem presas em redor de uma porta de entrada de ar.

► **Fig.51:** 1. Bocal de sucção 2. Porta de entrada de ar

4. Insira o tubo de entrada novamente na posição correta até ficar bloqueado firmemente.

► **Fig.52:** 1. Tubo de entrada 2. Corpo de ciclone  
3. Anel em O 4. Válvula de aleta

**OBSERVAÇÃO:** Certifique-se de que o anel em O e a válvula de aleta estão firmemente fixas na posição correta antes da remontagem. O desempenho de sucção pode ser afetado se a unidade de ciclone for operada sem o anel em O e a válvula de aleta instalados na posição correta.

5. Remonte a unidade de ciclone e prenda-a na armação do aspirador.

## Resolução de problemas

Antes de solicitar reparações, verifique os seguintes pontos.

Sintoma	Área a verificar	O que fazer
Potência de sucção fraca	A caixa do pó ou o interior da unidade de ciclone está cheio de pó?	Esvazie a caixa do pó ou o interior da unidade de ciclone.
	Os filtros estão obstruídos?	Sacuda o pó ou lave o filtro de elevado desempenho/filtro HEPA/folha de esponja/filtro de rede.
	Existe algo a bloquear os canais de ar de entrada?	Limpe qualquer pó e objetos que existam nas aberturas de ar e nos canais.
	A bateria está descarregada?	Carregue a bateria.
Não funciona	A bateria está descarregada?	Carregue a bateria.
Ruído e vibração	Os filtros estão obstruídos?	Sacuda o pó ou lave o filtro de elevado desempenho/filtro HEPA/folha de esponja/filtro de rede.
	Está alguma coisa a bloquear as aberturas ou os orifícios?	Limpe quaisquer pós e objetos que existam nos bocais, nos tubos e nas aberturas de ar.
	O bocal de sucção do bocal ou do tubo está fechado?	Destape e abra o bocal de sucção do bocal e do tubo.

**⚠ PRECAUÇÃO:** Não tente reparar o aspirador por sua conta.

## ACESSÓRIOS OPCIONAIS

**⚠ PRECAUÇÃO:** Estes acessórios ou peças são recomendados para utilização com a ferramenta Makita especificada neste manual. A utilização de outros acessórios ou peças pode ser perigosa para as pessoas. Utilize apenas acessórios ou peças para os fins indicados.

Se necessitar de informações adicionais relativas a estes acessórios, solicite-as ao seu centro de assistência Makita.

- Tubo extensor (tubo reto)
- Bocal
- Bocal para carpete
- Escova para prateleiras
- Bocal para cantos
- Escova redonda
- Mangueira flexível
- Filtro de elevado desempenho
- Filtro HEPA
- Bocal para assentos
- Bocal para frestas
- Bolsa da ferramenta
- Bateria e carregador genuínos da Makita

**NOTA:** Alguns itens da lista podem estar incluídos na embalagem da ferramenta como acessórios padrão. Eles podem variar de país para país.

## ADVARSEL

- Dette apparat kan bruges af børn fra 8 år og derover og personer med nedsatte fysiske, sensoriske eller mentale evner eller manglende erfaring og viden, hvis de er under opsyn eller har modtaget instruktioner i sikker anvendelse af apparatet og forstår de farer, der er involveret.
- Børn må ikke lege med apparatet. Rengøring og brugervedligeholdelse må ikke udføres af børn uden opsyn.
- Se kapitlet "SPECIFIKATIONER" for batteriets typereference.
- Se afsnittet "Installation eller fjernelse af akkuen" for at finde ud af, hvordan man fjerner eller installerer batteriet.
- Når du bortskaffer akkuen, skal du afmontere den fra maskinen og bortskaffe den på et sikkert sted. Følg dine lokale regler vedrørende bortskaffelse af batterier.
- Hvis maskinen ikke skal bruges i en længere periode, skal batteriet fjernes fra maskinen.
- Akkuen må ikke kortsluttes.
- Se kapitlet "VEDLIGEHOLDELSE" for at få de relevante oplysninger om forholdsregler under brugervedligeholdelse.

## SPECIFIKATIONER

<b>Model:</b>	<b>CL003G</b>	
Kapacitet	250 ml / 400 ml (landespecifik)	
Kontinuerlig anvendelse (med batteri BL4025)	1 (Stilletilstand)	Ca. 80 min
	2 (Normal hastighedstilstand)	Ca. 40 min
	3 (Høj hastighedstilstand)	Ca. 25 min
	4 (Maks. hastighedstilstand)	Ca. 16 min
Samlet længde (med rør, mundstykke og batteri BL4025)	1.106 mm	
Mærkespænding	D.C. Maks. 36 V - 40 V	
Nettovægt	1,9 - 2,6 kg	

- På grund af vores kontinuerlige forsknings- og udviklingsprogrammer kan hosstående specifikationer blive ændret uden varsel.
- Specifikationer kan variere fra land til land.
- Vægten inkluderer akku(er), men ikke tilbehør. Vægten af den letteste og tungeste kombination af apparat og akku(er) er vist i tabellen.

## Anvendelig akku og oplader

Akku	BL4020* / BL4025* / BL4040* / BL4050F * : Anbefalet batteri
Oplader	DC40RA / DC40RB / DC40RC

- Nogle af de akkuer og opladere, der er angivet ovenfor, er muligvis ikke tilgængelige, afhængigt af hvilket område du bor i.

**⚠ADVARSEL: Brug kun de akkuer og opladere, der er angivet ovenfor. Brug af andre akkuer og opladere kan medføre personskaade og/eller brand.**

## Symboler

Følgende viser de symboler, der muligvis anvendes til udstyret. Sørg for, at du forstår deres betydning før brugen.



Læs betjeningsvejledningen.



Et repræsentativt batteri, der kan anvendes til dette produkt.



Kun for lande inden for EU  
På grund af tilstedeværelsen af farlige komponenter i udstyret kan affald af elektrisk og elektronisk udstyr, akkumulatører og batterier have en negativ indvirkning på miljøet og folkesundheden.  
Bortskaf ikke elektriske og elektroniske apparater eller batterier sammen med husholdningsaffald!  
I overensstemmelse med EF-direktiv om affaldshåndtering af elektrisk og elektronisk udstyr og om akkumulatører og batterier og affaldsakkumulatører og -batterier, og i overensstemmelse med national lovgivning, skal brugt elektrisk udstyr, batterier og akkumulatører opbevares separat og leveres til et separat indsamlingssted for kommunalt affald, der er etableret i henhold til bestemmelserne om miljøbeskyttelse. Dette er angivet ved symbolet på den krydsede skraldespand, der er placeret på udstyret.

## Tilsigtet anvendelse

Denne maskine er beregnet til opugning af tørt støv.

## SIKKERHEDSADVARSLER

### Sikkerhedsadvarsler for akku støvsuger

**⚠ ADVARSEL: VIGTIGT! LÆS OMHYGGELIGT alle sikkerhedsadvarsler og alle instruktioner FØR BRUGEN.** Hvis advarslerne og instruktionerne ikke overholdes, kan det medføre elektrisk stød, brand og/eller alvorlig personskade.

1. Udsæt ikke for regn. Opbevares inden døre.
2. Må ikke benyttes som legetøj. Nøje overvågning er nødvendig, hvis den anvendes af eller i nærheden af børn.
3. Anvend kun som beskrevet i denne brugsvejledning. Anvend kun tilbehørsdele, som anbefales af fabrikanten.
4. Anvend ikke med et beskadiget batteri. Hvis apparatet ikke virker, som det skal, er blevet tabt, beskadiget, efterladt uden døre eller har været tabt i vand, skal det indleveres til et servicecenter.
5. Rør ikke ved apparatet med våde hænder.
6. Stik ikke nogen genstande ind i åbningerne. Anvend ikke med blokerede åbninger. Hold dem fri for støv, fnug, hår og alt, hvad der kan hindre luftstrømmen.

7. Hold hår, løse beklædningsgenstande, fingre og alle kropsele på god afstand af åbningerne og de bevægende dele.
8. Deaktiver alle kontroller, inden batteriet tages ud.
9. Udvis ekstra forsigtighed ved rengøring på trapper.
10. Anvend ikke til at opsuge brændbare eller letantændelige væsker som for eksempel benzin, og anvend ikke på steder, hvor disse væsker kan forefindes.
11. Anvend kun den oplader, som leveres af fabrikanten, til genopladning.
12. Opsug ikke noget, som brænder eller ryger, for eksempel cigaretter, tændstikker eller varm aske.
13. Anvend ikke, uden at støvposen og/eller filtrene er sat på plads.
14. Oplad ikke batteriet uden døre.
15. Genoplad kun med den oplader, der er angivet af fabrikanten. En oplader, der er beregnet til én type akku, kan forårsage risiko for brand, hvis den bruges med en anden akku.
16. Brug kun apparater med specifikt udpegede akkuer. Brug af andre akkuer kan medføre risiko for personskade og brand.
17. Når akkuen ikke anvendes, skal du holde den på afstand af andre metalgenstande som f.eks. papirclips, mønter, nøgler, søm, skruer eller andre små metalgenstande, der kan skabe forbindelse fra én terminal til en anden.
18. Ved misbrug kan der sprøjte væske ud fra batteriet. Undgå kontakt. Skyl med vand i tilfælde af kontakt.
19. Undlad at bruge en akku eller et apparat, der er beskadiget eller ændret. Beskadigede eller ændrede batterier kan udvise uforudsigelig adfærd, der resulterer i brand, eksplosion eller risiko for personskade.
20. Undlad at udsætte en akku eller et apparat for brand eller for høj temperatur. Eksponering for brand eller temperaturer over 130 °C kan forårsage eksplosion.
21. Følg alle opladningsinstruktioner, og undlad at oplade akkuen eller apparatet uden for det temperaturområde, der er angivet i instruktionerne. Forkert opladning eller ved temperaturer uden for det angivne område kan beskadige batteriet og øge risikoen for brand.

## GEM DENNE BRUGSANVISNING.

### SUPPLERENDE SIKKERHEDSREGLER

Dette apparat er beregnet til husholdningsbrug.

1. Læs denne brugsvejledning og instruktionerne for opladning grundigt inden brugen.
2. Undlad at samle følgende materialer op:
  - Varme materialer som for eksempel tændte cigaretter eller gnister/metalstøv, som er frembragt ved slibning/skæring af metal
  - Brændbare materialer som for eksempel benzin, fortynder, rensbenzin, petroleum og maling
  - Eksplosive materialer som for eksempel nitroglycerin



- Antændelige materialer som for eksempel aluminium, zink, magnesium, titan, fosfor eller celluloid
  - Vådt snavs, vand, olie eller lignende
  - Hårde genstande med skarpe kanter som for eksempel træspåner, metal, sten, glas, søm, knappenåle og barberblade
  - Pulver, der størkner, for eksempel cement og toner
  - Ledende støv som for eksempel metal eller kulfiber
  - Fine partikler som for eksempel betonstøv
- Dette kan forårsage brand, personskade og/eller materiel skade.
3. Hold øjeblikkeligt op med brugen, hvis du registrerer noget unormalt.
  4. Hvis du kommer til at tabe eller støde til støvsugeren, skal du omhyggeligt efterse den for revner eller anden beskadigelse inden brugen.
  5. Hold den på god afstand af ovne og andre varmekilder.
  6. Undlad at blokere indsugningsåbningen eller ventilationshullerne.

## GEM DENNE BRUGSANVISNING.

### Vigtige sikkerhedsinstruktioner for akkuen

1. Læs alle instruktioner og advarselmærkater på (1) akku-opladeren, (2) akkuen og (3) produktet, som anvender akku.
2. Adskil eller ændr ikke akkuen. Det kan muligvis resultere i en brand, overdreven varme eller eksplosion.
3. Hold straks op med anvendelsen, hvis brugstiden er blevet stærkt afkortet. Fortsat anvendelse kan resultere i risiko for overophedning, forbrændinger og endog eksplosion.
4. Hvis De har fået elektrolytvæske i øjnene, skal De straks skylle den ud med rent vand og derefter øjeblikkeligt søge lægehjælp. I modsat fald kan De miste synet.
5. Vær påpasselig med ikke at komme til at kortslutte akkuen:
  - (1) Rør ikke ved terminalerne med noget ledende materiale.
  - (2) Undgå at opbevare akkuen i en beholder sammen med andre genstande af metal, for eksempel søm, mønter og lignende.
  - (3) Udsæt ikke akkuen for vand eller regn. Kortslutning af akkuen kan forårsage en kraftig åbning af strømmen, overophedning, mulige forbrændinger og endog værktøjstjop.
6. Opbevar og brug ikke maskinen og akkuen på steder, hvor temperaturen muligvis kan nå eller overstige 50 °C.
7. Lad være med at brænde akkuen, selv ikke i tilfælde, hvor den har lidt alvorlig skade eller er fuldstændig udtjent. Akkuen kan eksplodere, hvis man forsøger at brænde den.
8. Slå ikke søm i, skær ikke i, knus, kast, tab ikke akkuen og stød ikke akkuen mod en hård genstand. Sådan adfærd kan muligvis resultere i en brand, overdreven varme eller eksplosion.
9. Anvend ikke en beskadiget akku.

10. De indbyggede litium-ion-batterier er underlagt lovkrav vedrørende farligt gods. Ved kommerciel transport, f.eks. af tredjeparts transportselskaber, skal særlige krav til forpakning og mærkning overholdes. Ved forberedelse af udstyret til forsendelse skal du kontakte en ekspert i farligt gods. Overhold også eventuel mere detaljeret national lovgivning. Tape eller tildæk åbne kontakter, og pak batteriet på en måde, så det ikke kan flytte sig rundt i pakningen.
11. Når akkuen bortskaffes, skal du fjerne den fra maskinen og bortskaffe den på et sikkert sted. Følg de lokale love vedrørende bortskaffelsen af batterier.
12. Brug kun batterierne med de produkter, som Makita specificerer. Hvis batterierne installeres i ikke-kompatible produkter, kan det medføre brand, kraftig varme, eksplosion eller udsivning af elektrolyt.
13. Hvis maskinen ikke skal bruges i længere tid ad gangen, skal du fjerne batteriet fra maskinen.
14. Akkuen kan muligvis under og efter brug være varm, hvilket kan forårsage forbrændinger eller lavtemperaturforbrændinger. Vær påpasselig med håndtering af varme akkuer.
15. Rør ikke terminalen på maskinen straks efter brug, da den bliver varm nok til at forårsage forbrændinger.
16. Sørg for, at spåner, støv eller jord ikke sætter sig fast i akkuens terminaler, huller og riller. Det kan forårsage opvarmning, antændelse, sprængning og funktionsfejl i maskinen eller akkuen, hvilket kan medføre forbrændinger eller personskade.
17. Medmindre maskinen understøtter brugen i nærheden af elektriske højspændingsledninger, skal du ikke anvende akkuen i nærheden af elektriske højspændingsledninger. Det kan muligvis medføre funktionsfejl på eller nedbrud af maskinen eller akkuen.
18. Opbevar batteriet utilgængeligt for børn.

## GEM DENNE BRUGSANVISNING.

**⚠FORSIGTIG:** Brug kun originale batterier fra Makita. Brug af uoriginale Makita-batterier, eller batterier som er blevet ændret, kan muligvis medføre brud på batteriet, hvilket kan forårsage brand, personskade eller beskadigelse. Det ugyldiggør også Makita-garantien for Makita-maskinen og opladeren.

## Tips til opnåelse af maksimal akku-levetid

1. Oplad akkuen, inden den er helt afladet. Stop altid værktøjet, og oplad akkuen, hvis De bemærker, at værktøjeffekten er aftagende.
2. Genoplad aldrig en fuldt opladet akku. Overopladning vil afkorte akkuens levetid.
3. Oplad akkuen ved stuetemperatur ved 10 °C - 40 °C. Lad altid en varm akku få tid til at køle af, inden den oplades.
4. Når du ikke anvender akkuen, skal du fjerne den fra maskinen eller opladeren.
5. Oplad akkuen, hvis De ikke skal bruge den i længere tid (mere end seks måneder).

# FUNKTIONSBESKRIVELSE

**⚠️FORSIGTIG:** Sørg altid for at maskinen er slukket, og at akkuen er taget ud, før der udføres justering eller kontrol af funktioner på maskinen.

**⚠️FORSIGTIG:** Vær påpasselig med ikke at få fingrene i klemme mellem støvsugeren og batteriet som vist på illustrationen, når du sætter batteriet i. Hvis du får fingrene i klemme, kan det medføre personskaade.

► Fig.1

## Isætning eller fjernelse af akkuen

**⚠️FORSIGTIG:** Sluk altid for værktøjet, før De monterer eller fjerner akkuen.

**⚠️FORSIGTIG:** Hold værktøjet og akkuen fast ved montering eller fjernelse af akkuen. Hvis De ikke holder værktøjet og akkuen fast, kan de glide ud af hænderne på Dem og forårsage beskadigelse af værktøjet og akkuen eller personskaade.

► Fig.2: 1. Rød indikator 2. Knap 3. Akku

Akkuen fjernes ved, at De trækker den ud af værktøjet, idet De skyder knappen på forsiden af akkuen i stilling.

For at montere akkuen skal du justere tungen på akkuen med rillen i huset og skubbe den på plads. Indsæt den hele vejen, indtil den låses på plads med et lille klik. Hvis du kan se den røde indikator, som vist i figuren, er den ikke helt låst.

**⚠️FORSIGTIG:** Monter altid akkuen helt, indtil den røde indikator ikke længere er synlig. Hvis dette ikke gøres, kan den falde ud af værktøjet ved et uheld, hvorved De selv eller personer i nærheden kan komme til skade.

**⚠️FORSIGTIG:** Brug ikke magt ved montering af akkuen. Hvis akkuen ikke glider på plads uden problemer, betyder det, at den ikke sættes i på korrekt vis.

## Batteribeskyttelsessystem

Maskinen er forsynet med et beskyttelsessystem til maskine/batteri. Systemet afbryder strømmen til motoren for at forlænge maskinens og batteriets levetid. Maskinen stopper automatisk under driften, hvis maskinen eller batteriet udsættes for et af de følgende forhold.

### Overbelastet:

Maskinen/batteriet anvendes på en måde, der får den til at bruge unormalt meget strøm.

Sluk i så fald for maskinen, og stop den anvendelse, der medførte, at maskinen blev overbelastet. Tænd derefter for maskinen for at starte igen.

Hvis maskinen ikke starter, er maskinen/batteriet overophedet. I denne situation skal du lade maskinen/batteriet køle af, før du tænder for maskinen igen.

### Lav spænding på akkuen:

Den resterende batteriladning er for lav, og maskinen vil ikke fungere. I denne situation skal De fjerne og oplade akkuen.

### Beskyttelse mod andre årsager:

Beskyttelsessystemet er også designet til andre årsager, der kan beskadige maskinen og gør det muligt for maskinen at stoppe automatisk. Træf alle følgende foranstaltninger for at fjerne årsagerne, når maskinen midlertidigt er blevet bragt til standsning eller stoppet i drift.

1. Sluk for maskinen, og tænd den igen for at genstarte.
2. Oplad batteriet/batterierne eller udskift det/dem med genopladedt/genopladede batteri/batterier.
3. Lad maskinen og batteriet/batterierne køle af.

Hvis der ikke kan findes nogen forbedring ved at genoprette beskyttelsessystemet, skal det lokale Makita-servicecenter kontaktes.

## Indikation af den resterende batteriladning

Tryk på kontrolknappen på akkuen for at få vist den resterende batteriladning. Indikatorlampen lyser i nogle sekunder.

► Fig.3: 1. Indikatorlamper 2. Kontrolknop

Indikatorlamper			Resterende ladning
Tændt	Slukket	Blinker	
■ ■ ■ ■			75% til 100%
■ ■ ■ □			50% til 75%
■ ■ □ □			25% til 50%
■ □ □ □			0% til 25%
▣ □ □ □			Genoplad batteriet.
■ ■ □ □			Der er muligvis fejl i batteriet.
□ □ ■ ■			





**BEMÆRK:** Afhængigt af brugsforholdene og den omgivende temperatur kan indikationen afvige en smule fra den faktiske ladning.

**BEMÆRK:** Den første indikatorlampe (længst mod venstre) vil blinke, når batteribeskyttelsessystemet aktiveres.

## Afbryderbetjening

► **Fig.4:** 1. Knap til ændring af sugekraft 2. TÆND/SLUK-knap

For at starte støvsugeren skal du blot trykke på TÆND/SLUK-knappen. Tryk på TÆND/SLUK-knappen igen for at slukke. Du kan ændre støvsugerens sugekraft i fire trin ved at trykke på knappen til ændring af sugekraft. Hvert tryk på denne knap gentager tilstanden Stille/ Normal/Høj/Maks. i en cyklus.

Niveau	Indikation	Tilstand
1		Stilletilstand
2		Normal hastighedstilstand
3		Høj hastighedstilstand
4		Maks. hastighedstilstand

**BEMÆRK:** Du kan ændre sugekraften inden du tænder for støvsugeren.

**BEMÆRK:** Støvsugeren starter med at fungere med samme sugekraft som den der blev anvendt ved sidste operation.

## Tænding af lampen

**⚠FORSIGTIG:** Kig aldrig direkte på lyskilden. Lad ikke lyset falde i Deres øjne.

For at tænde lampen skal du trykke på knappen til ændring af sugekraft. Lampen slukkes efter cirka 10 sekunder.

Når støvsugeren er tændt er lampen tændt. Lampen slukkes cirka 10 sekunder efter støvsugeren slukkes.

**BEMÆRK:** Når den resterende batteriladning bliver lav begynder lampen at blinke. Timingen, hvormed lampen begynder at blinke, afhænger af temperaturen på arbejdspladsen og akkuens tilstand.

► **Fig.5:** 1. Knap til ændring af sugekraft 2. TÆND/SLUK-knap 3. Lampe

## BESKRIVELSE AF DELENE

### Landespecifik

► **Fig.6**

1	250 ml støvbakke (ekstraudstyr)	2	400 ml støvbakke (ekstraudstyr)	3	Trådsi	4	Cyklonkabinet
5	Højtydende filter (filterramme i grå) (ekstraudstyr)	6	HEPA-filter (filterramme i hvid) (ekstraudstyr)	7	Svampeark	8	Støvsugerkabinet
9	Håndstrop (landespecifik)	-	-	-	-	-	-

## SAMLING

**⚠FORSIGTIG:** Sørg altid for at maskinen er slukket, og at akkuen er taget ud, før der udføres noget arbejde på maskinen.

**BEMÆRKNING:** Sørg for, at alle tilbehør og komponenter er fastgjort korrekt på plads før brug.

## Montering og afmontering af støvsugertilbehør

**⚠FORSIGTIG:** Når du har monteret tilbehøret, skal du kontrollere, om det er monteret forsvarligt. Hvis tilbehøret er monteret ufuldstændigt, kan det løsne sig og forårsage personskade.

**⚠FORSIGTIG:** Vær forsigtig med ikke at ramme hånden på væggen osv., når du afmonterer tilbehøret.

## Ved brug af tilbehør med låsefunktion

For at montere tilbehøret skal du sætte det ind i støvsugerens sugeåbning, indtil det klikker. Sørg for, at tilbehøret er låst.

► **Fig.7:** 1. Sugeåbning 2. Tilbehør med låsefunktion 3. Krog

**BEMÆRKNING:** Når du monterer tilbehøret med låsefunktion, skal du sørge for at justere udløserknappen på støvsugeren med krogn på tilbehøret. Hvis de ikke er justeret, vil tilbehøret ikke blive låst og kan løsne sig fra støvsugeren.

Tilbehøret afmonteres ved at trække det af støvsugeren, mens du trykker på og holder armene på udløserknappen nede.

► **Fig.8:** 1. Udløserknap 2. Arm på udløserknap 3. Tilbehør med låsefunktion 4. Sugeåbning

## Når du bruger tilbehør uden låsefunktion

**BEMÆRKNING:** Hvis du vil montere tilbehør uden låsefunktion, skal du indsætte det i støvsugerens sugeåbning ved at dreje det som vist på figuren. Hvis du vil afmontere tilbehøret, skal du frigøre det fra støvsugeren ved at dreje det som vist på figuren. Undgå at dreje tilbehøret i modsat retning af pilen på figuren, da det kan løse cyklonenheden.

► Fig.9

## ANVENDELSE

**⚠FORSIGTIG:** Hold dit ansigt på afstand af ventilationsåbningen, når du bruger støvsugeren. Hvis der blæses fremmedlegemer ind i øjnene, kan det medføre personskade.

**BEMÆRKNING:** Undgå at bruge støvsugeren i en vandret eller opadgående position. Det kan i modsat fald medføre tilstopning af trådsien.

**BEMÆRKNING:** Brug altid støvsugeren med filtre monteret. Brug af støvsugeren uden filtre kan resultere i en motorfejl.

**BEMÆRKNING:** Tøm støvbakken i cyklonenheden, når der har samlet sig støv. Fortsat brug vil resultere i svækket sugekraft.

Cyklonenheden hjælper med at reducere mængden af støv, der trænger ind i støvsugeren, hvilket forbedrer sugeevnen med enkel og nem bortskaffelse af støv.

## Rengøring (sugning)

### Mundstykke

*Kun med 250 ml støvbakke*

Sæt mundstykket på for at rengøre borde, skriveborde, møbler og lignende. Mundstykket glider let på.

► Fig.10: 1. Mundstykke

### Mundstykke + Forlængerstav (lige rør)

Forlængerstaven sættes ind mellem mundstykket og selve støvsugeren. Dette arrangement er praktisk ved rengøring af et gulv i stående stilling.

► Fig.11: 1. Støvsuger kabinet 2. Forlængerstav 3. Mundstykke

### Hjørnemundestykke

Monter hjørnemundstykket til rengøring af hjørner og kroge i en bil eller møbler.

► Fig.12: 1. Hjørnemundestykke 2. Støvsuger kabinet

Du kan opbevare hjørnemundstykket i dyseholderen.

► Fig.13: 1. Dyseholder 2. Hjørnemundestykke

**⚠FORSIGTIG:** Pas på ikke at klemme fingeren (fingerne) mellem hjørnemundstykket og dyseholderen. En finger (finger), som kommer i klemme, kan forårsage personskade.

## Hjørnemundestykke + forlængerstav (lige rør)

Anvend dette arrangement på trange steder, hvor selve støvsugeren ikke kan komme ind, eller på højtliggende steder, hvor det er svært at nå op.

► Fig.14: 1. Hjørnemundestykke 2. Forlængerstav  
3. Støvsuger kabinet

## Rengøring uden mundstykke

*Kun med 250 ml støvbakke*

Det er muligt at opsamle pulver og støv uden et mundstykke.

► Fig.15

Til opsugning af støv på et gulv i stående position er det praktisk at fastgøre forlængerstaven (lige rør) til støvsugeren.

► Fig.16: 1. Forlængerstav

## Bortskaffelse af støv

**⚠FORSIGTIG:** Tøm støvsugeren, inden den bliver for fuld, ellers formindskes sugekraften.

**⚠FORSIGTIG:** Pas på ikke at klemme fingeren eller fingrene mellem støvbakken og cyklonkabinettet ved genmontering.

Bortskaf ophobet støv som følger, før det overstiger linjen til bortskaffelse af støv.

1. Ret støvsugerhovedet nedad, hold godt fast i støvbakken og træk den derefter væk fra cyklonkabinettet, mens du trykker på og holder udløserknapperne på begge sider af støvbakken.

► Fig.17: 1. Linje til bortskaffelse af støv 2. Støvbakke  
3. Udløserknapper 4. Trådsien

2. Tøm støvbakken, og rens det fastsiddende støv fra trådsien.

► Fig.18

3. Sæt støvbakken tilbage på cyklonkabinettet for at fastgøre den på plads med klik.

► Fig.19: 1. Støvbakke 2. Udløserknapper  
3. Cyklonkabinet

**⚠FORSIGTIG:** Støvet kan flyve op, når det fjernes fra støvbakken. Pas på, at du ikke får støvet i øjnene.

**BEMÆRKNING:** Når støvbakken bliver snavset, skal den afmonteres og vaskes med vand. Tør støvbakken grundigt før genmontering og brug.

**BEMÆRKNING:** Sørg for, at alle tilbehør og komponenter er fastgjort korrekt på plads før brug.

**BEMÆRKNING:** Hvis sugekraften ikke genoprettes, selv efter at støvet er fjernet og trådsien er rengjort, skal du kontrollere, om der har samlet sig støv inde i cyklonkabinettet, eller om der er opstået tilstopning.

# VEDLIGEHOELDELSE

**⚠FORSIGTIG:** Vær altid sikker på, at værktøjet er slukket, og at akkuen er taget ud, inden De begynder at udføre inspektion eller vedligeholdelse.

**BEMÆRKNING:** Anvend aldrig benzin, rensebenzin, fortynder, alkohol og lignende. Det kan medføre misfarvning, deformation eller revner.

For at opretholde produktets SIKKERHED og PÅLIDELIGHED må reparationer, enhver anden vedligeholdelse eller justering kun udføres af et autoriseret Makita servicecenter eller fabrikksservicecenter med anvendelse af Makita reservedele.

## Efter brugen

**⚠FORSIGTIG:** Hvis støvsugeren stilles op ad væggen uden nogen anden støtte, kan det medføre, at støvsugeren vælter, hvilket kan medføre personskade eller beskadigelse af støvsugeren.

► Fig.20

## Regelmæssig vedligeholdelse

**BEMÆRKNING:** Rens filtrene i cyklonenheden, når de bliver tilstoppet. Fortsat brug i tilstoppet tilstand kan resultere i ophedning eller motorfejl.

**BEMÆRKNING:** Undlad at blæse støv, der sidder fast på støvsugeren og filtrene, ved hjælp af en luftblæser. Det blæser støv ind i kabinettet og forårsager fejl.

Rutinemæssig vedligeholdelse er nødvendig for at genoprette normale driftsforhold.

## Støvsugerkabinettet

Aftør ydersiden (støvsugerkabinettet) af støvsugeren med en klud, der er fugtet med sæbevand, og rengør sugearbningerne.

► Fig.21

## Cyklonenhed og filtre

**BEMÆRKNING:** Fjern støv og rens inde i cyklonenheden og filtrene, når sugevnen bliver mindre effektiv, uanset hvor meget støv, der er opsamlet i støvbakken.

**BEMÆRKNING:** Når du har vasket filtrene, skal du tørre dem grundigt før brug. Utilstrækkeligt tørrede filtre kan medføre dårlig sugning og forkorte motorens levetid.

**BEMÆRKNING:** Når du har rensede filtre og svampeark, skal du sørge for at genmontere dem før brug. Hvis du bruger støvsugeren uden filtre og svampeark, kommer der støv ind i motorhuset og forårsager funktionsfejl.

## Cyklonenhed

1. Bank flere gange på cyklonenheden med hånden for at fjerne støv, der sidder fast på cyklonenhedens og filterets indvendige overflade.

► Fig.22: 1. Cyklonenhed

2. Med sugearbningen pegende nedad drejes cyklonenheden som vist på figuren, så pilen på cyklonenheden flugter med pilen på støvsugerkabinettet for at frigøre låsen. Tag derefter cyklonenheden langsomt og lige ud af støvsugerkabinettet.

► Fig.23: 1. Cyklonenhed 2. Sugearbning 3. Pile 4. Filter

**BEMÆRK:** Der kan flyve støv ud, når cyklonenheden skilles ad. Det anbefales at placere en affaldspose under cyklonenheden.

3. Støv af inde i cyklonenheden og filteret.

► Fig.24

4. Sæt cyklonenheden tilbage på støvsugerkabinettet, så pilen på cyklonenheden flugter med pilen på støvsugerkabinettet. Drej derefter cyklonenheden som vist på figuren, indtil den er fastgjort på plads.

► Fig.25: 1. Cyklonenhed 2. Støvsugerkabinettet 3. Pile

## Højtydende filter

### Ekstraudstyr

1. Afmonter cyklonenheden fra støvsugerkabinettet.

2. Hold fast i monteringsenden af det højtydende filter, og træk det væk fra støvsugerkabinettet.

► Fig.26: 1. Højtydende filter 2. Støvsugerkabinettet

3. Aftør og ryst støvet af det højtydende filter med hånden.

► Fig.27

4. Vask det højtydende filter i sæbevand, når det er tilstoppet med støv og snavs. Tør det grundigt i skyggen før brug.

► Fig.28

**BEMÆRK:** Undgå at fastgøre fastgørelsesenden (gummitætningsring) på det højtydende filter, når det hænges op til tørring.

5. Hold fast i monteringsenden af det højtydende filter, og klem det tilbage ind i støvsugerkabinettet.

► Fig.29: 1. Højtydende filter 2. Støvsugerkabinettet

## HEPA-filtre

### Ekstraudstyr

**BEMÆRKNING:** Undlad at gnubbe eller ridse HEPA-filtret med hårde genstande som f.eks. en børste og et banketræ.

1. Afmonter cyklonenheden fra støvsugerkabinettet.

2. Hold fast i HEPA-filterets monteringsende (dækket med højtydende forfilter), og træk det væk fra støvsugerkabinettet.

► Fig.30: 1. HEPA-filtret (dækket med højtydende forfilter) 2. Støvsugerkabinettet

3. Afmonter det højtydende forfilter fra HEPA-filtret ved at dreje det med hånden.

► Fig.31: 1. Højtydende forfilter 2. HEPA-filtret

4. Aftør og ryst støvet af det højtydende forfilter og HEPA-filtret med hånden.

► Fig.32

5. Vask det højtstående forfilter og HEPA-filteret i sæbevand. Skyl og tør dem grundigt i skyggen før brug.  
► **Fig.33**

**BEMÆRK:** Undgå at fastgøre HEPA-filterets fastgørelsesende (gummitætningsring), når det hænges op til tørring.

6. Fastgør det højtstående forfilter på HEPA-filteret.  
► **Fig.34:** 1. Højtstående forfilter 2. HEPA-filter

7. Hold fast i HEPA-filterets monteringsende (dækket med højtstående forfilter), og klem det tilbage ind i støvsugerkabinettet.

- **Fig.35:** 1. HEPA-filter (dækket med det højtstående forfilter) 2. Støvsugerkabinet

## Svampearik

1. Afmonter cyklonenheden fra støvsugerkabinettet.

2. Hold fast i filterets monteringsende, og træk den væk fra støvsugerkabinettet.

- **Fig.36:** 1. Filter 2. Støvsugerkabinet

3. Træk svampearik af sugeåbningen.

- **Fig.37:** 1. Svampearik 2. Sugeåbning

4. Aftør og ryst støvet af svampeariket med hånden.

- **Fig.38**

5. Vask svampeariket i sæbevand, når det er tilstoppet med støv og snavs. Tør det grundigt i skyggen før brug.

- **Fig.39**

6. Sæt svampeariket tilbage i den oprindelige position. Sørg for, at svampearikets venstre og højre kant er fastgjort med stopperne, og at der ikke er noget mellemrum mellem svampeariket og sugeåbningen.

- **Fig.40:** 1. Svampearik 2. Stopper 3. Sugeåbning

7. Hold fast i filterets monteringsende, og klem det tilbage i støvsugerkabinettet.

- **Fig.41:** 1. Filter 2. Støvsugerkabinet

## Tilstandsbaseret vedligeholdelse

**BEMÆRKNING:** Rens trådsien i cyklonenheden, når den bliver tilstoppet. Fortsat brug i tilstoppet tilstand kan resultere i ophedning eller motorfejl.

Grundig og præcis rengøring skal udføres i overensstemmelse med maskinens ydeevne.

## Trådsi

Når støvbakken bliver beskidt, eller trådsien er tilstoppet, skal du fjerne og vaske dem med vand. (Se "Bortskaffelse af støv" angående fjernelsesproceduren.)

1. Hold godt fast i støvbakken, og træk den væk fra cyklonkabinettet, mens du trykker på og holder udløserknapperne på begge sider af støvbakken nede.

- **Fig.42:** 1. Støvbakke 2. Cyklonkabinet  
3. Udløserknapper

2. Drej trådsien som vist på figuren for at frigøre låsen. Løsn den derefter fra cyklonkabinettet.

- **Fig.43:** 1. Trådsi

3. Adskil trådsien i tre komponenter: forfilter, rørformet svampefilter og trådrør.

- i Klem styrstopperne oven på trådrøret sammen.

- ii Før styrstopperne ned gennem styrhullet oven på forfilteret.

- iii Træk forfilteret langs det rørformede svampefilter og trådrøret.

- iv Fjern det rørformede svampefilter fra trådrøret.

- **Fig.44:** 1. Forfilter 2. Rørformet svampefilter  
3. Trådrør 4. Styrstopper 5. Styrhul

4. Aftør og ryst støvet af filtrene og trådrøret med hånden.

- **Fig.45**

5. Vask filtrene og trådrøret i sæbevand, når de er tilstoppet med støv og snavs. Tør dem grundigt i skyggen før brug.

- **Fig.46**

6. Genmonter trådsien.

- i Indsæt det rørformede svampefilter i forfilteret.

- ii Indsæt trådrøret ind i det rørformede svampefilter og forfilteret, idet styrstopperne oven på trådrøret føres igennem styrhullet oven på forfilteret.

- iii Skub trådrøret gennem det rørformede svampefilter og forfilteret, indtil det låses på plads med et klik.

- **Fig.47:** 1. Forfilter 2. Rørformet svampefilter  
3. Trådrør 4. Styrstopper 5. Styrhul

7. Sæt trådsien tilbage i cyklonkabinettet ved at justere krogene på trådsien med åbningerne på cyklonkabinettets sugeudløb. Drej trådsien som vist på figuren, indtil kroge låses med et klik. Sørg for, at trådsien er monteret forsvarligt.

- **Fig.48:** 1. Trådsi 2. Cyklonkabinet 3. Krog 4. Åbning

## Luftkanaler i cyklonenheden

Indgående fremmedlegemer kan blokere luftkanalerne i cyklonenheden og belaste luftstrømme. Fjern eventuelle forhindringer i luftvejen, hvis sugeevnen påvirkes mærkbart.

1. Adskil cyklonenheden i tre komponenter: støvbakke, trådsi og cyklonkabinet.

- **Fig.49:** 1. Støvbakke 2. Trådsi 3. Cyklonkabinet  
4. Støvsugerkabinet

2. Tryk og hold styrstopperne på indløbsrøret ned gennem låsehullet på cyklonkabinettet ved hjælp af håndværktøjet med en spids. Løsn derefter indløbsrøret fra cyklonkabinettet.

- **Fig.50:** 1. Indløbsrør 2. Styrstopper  
3. Cyklonkabinet 4. Låsehul

3. Rens eventuelle stoffer, der findes i luftkanalerne.

Der er risiko for, at fremmedlegemer sætter sig fast omkring en indgående luftåbning.

- **Fig.51:** 1. Sugeåbning 2. Indgående luftåbning

4. Sæt indløbsrøret tilbage på plads, indtil det er forsvarligt låst.

- **Fig.52:** 1. Indløbsrør 2. Cyklonkabinet 3. O-ring 4. Klapventil

**BEMÆRKNING:** Sørg for, at O-ringen og klapventilen er sikkert på plads, før de monteres igen. Sugeevnen kan blive påvirket, hvis cyklonenheden betjenes uden O-ringen og klapventilen på plads.

5. Montér cyklonenheden igen, og fastgør den på støvsugerkabinettet.

## Fejlfinding

Tjek følgende punkter, før du beder om reparation.

Symptom	Område, der skal undersøges	Reparationsmetode
Svag sugekraft	Er støvbakken eller indersiden af cyklonenheden fuld af støv?	Tøm støvbakken eller indersiden af cyklonenheden.
	Er filtrene tilstoppet?	Støv eller vask det højtydende filter/HEPA-filteret/svampearke/trådsien af.
	Er der noget, der blokerer de indgående luftkanaler?	Rens støv og genstande ud af luftåbninger og -kanaler.
	Er akkuen afladet?	Oplad akkuen.
Virker ikke	Er akkuen afladet?	Oplad akkuen.
Støj og vibrationer	Er filtrene tilstoppet?	Støv eller vask det højtydende filter/HEPA-filteret/svampearke/trådsien af.
	Er der noget, der blokerer åbninger eller huller?	Rens eventuelt støv og genstande ud af mundstykker, rør og luftåbninger.
	Er sugeåbningen til mundstykket eller røret lukket?	Afdæk og åbn sugeåbningen på mundstykket og røret.

**⚠FORSIGTIG:** Forsøg ikke selv at reparere støvsugerens.

## EKSTRAUDSTYR

**⚠FORSIGTIG:** Det følgende tilbehør og ekstraudstyr er anbefalet til brug med Deres Makita maskine, der er beskrevet i denne brugsanvisning. Anvendelse af andet tilbehør eller ekstraudstyr kan udgøre en risiko for personskade. Anvend kun tilbehør og ekstraudstyr til det beskrevne formål.

Hvis De behøver hjælp ved valg af tilbehør eller ønsker yderligere informationer, bedes De kontakte Deres lokale Makita servicecenter.

- Forlængerstav (lige rør)
- Mundstykke
- Tæppemundstykke
- Børste til hylde
- Hjørnemundstykke
- Rund børste
- Fleksibel slange
- Højtydende filter
- HEPA-filter
- Møbelmundstykke
- Revnemundstykke
- Værktøjspose
- Original Makita-akku og oplader

**BEMÆRK:** Nogle ting på denne liste kan være inkluderet i værktøjspakken som standardtilbehør. Det kan være forskellige fra land til land.

## ΠΡΟΕΙΔΟΠΟΙΗΣΗ

- Η συσκευή αυτή μπορεί να χρησιμοποιηθεί από παιδιά άνω των 8 ετών και άτομα με μειωμένες σωματικές, αισθητήριες ή διανοητικές ικανότητες ή που δεν έχουν πείρα και γνώσεις, αν επιτηρούνται ή τους έχουν δοθεί οδηγίες για την ασφαλή χρήση της συσκευής και κατανοούν τους κινδύνους που εμπλέκονται.
- Τα παιδιά δεν πρέπει να παίζουν με τη συσκευή. Οι εργασίες καθαρισμού και συντήρησης από τον χρήστη δεν θα πρέπει να γίνονται από παιδιά χωρίς επιτήρηση.
- Για την αναφορά του τύπου της μπαταρίας, δείτε το κεφάλαιο «ΠΡΟΔΙΑΓΡΑΦΕΣ».
- Για τον τρόπο αφαίρεσης ή τοποθέτησης της μπαταρίας, δείτε την ενότητα «Τοποθέτηση ή αφαίρεση της κασέτας μπαταριών».
- Όταν απορρίπτετε την κασέτα μπαταριών, αφαιρέστε την από το εργαλείο και διαθέστε την σε ένα ασφαλές μέρος. Τηρήστε τους τοπικούς κανονισμούς που σχετίζονται με τη διάθεση της μπαταρίας.
- Αν δεν χρησιμοποιείτε το εργαλείο για μεγάλο χρονικό διάστημα, πρέπει να βγάλετε την μπαταρία από το εργαλείο.
- Μη βραχυκυκλώνετε την κασέτα μπαταριών.
- Για τις κατάλληλες λεπτομέρειες των προφυλάξεων κατά τη διάρκεια της συντήρησης από τον χρήστη, δείτε το κεφάλαιο «ΣΥΝΤΗΡΗΣΗ».

## ΠΡΟΔΙΑΓΡΑΦΕΣ

Μοντέλο:		CL003G
Χωρητικότητα		250 mL / 400 mL (ειδικό της χώρας)
Συνεχόμενη χρήση (με μπαταρία BL4025)	1 (Τρόπος αθόρυβης λειτουργίας)	Περίπου 80 min
	2 (Τρόπος λειτουργίας κανονικής ταχύτητας)	Περίπου 40 min
	3 (Τρόπος λειτουργίας υψηλής ταχύτητας)	Περίπου 25 min
	4 (Τρόπος λειτουργίας μέγιστης ταχύτητας)	Περίπου 16 min
Συνολικό μήκος (με σωλήνα, ακροφύσιο και μπαταρία BL4025)		1.106 mm
Ονομαστική τάση		D.C. 36 V - 40 V μεγ
Καθαρό βάρος		1,9 - 2,6 kg

- Λόγω του συνεχιζόμενου προγράμματος έρευνας και ανάπτυξης, οι προδιαγραφές αυτές υπόκεινται σε αλλαγές χωρίς προειδοποίηση.
- Τα τεχνικά χαρακτηριστικά μπορεί να διαφέρουν από χώρα σε χώρα.
- Το βάρος δεν περιλαμβάνει εξαρτήματα αλλά την(ις) κασέτα(ες) μπαταριών. Το μικρότερο και μεγαλύτερο βάρος των συνδυασμών της συσκευής και της(ων) κασέτας(ών) μπαταριών απεικονίζονται στον πίνακα.

## Ισχύουσα κασέτα μπαταριών και φορτιστής

Κασέτα μπαταρίας	BL4020* / BL4025* / BL4040* / BL4050F * : Συνιστώμενη μπαταρία
Φορτιστής	DC40RA / DC40RB / DC40RC

- Ορισμένες από τις κασέτες και τους φορτιστές μπαταριών που αναγράφονται παραπάνω ίσως να μην είναι διαθέσιμοι, ανάλογα με την τοποθεσία κατοικίας σας.

**⚠ ΠΡΟΕΙΔΟΠΟΙΗΣΗ:** Να χρησιμοποιείτε μόνο τις κασέτες μπαταριών και τους φορτιστές που παρατίθενται ανωτέρω. Η χρήση οποιασδήποτε άλλης κασέτας μπαταριών ή φορτιστή μπορεί να προκαλέσει τραυματισμό ή/και πυρκαγιά.



## Σύμβολα

Παρακάτω παρουσιάζονται τα σύμβολα που μπορούν να χρησιμοποιηθούν για τον εξοπλισμό. Βεβαιωθείτε ότι κατανοείτε τη σημασία τους πριν από τη χρήση.



Διαβάστε το εγχειρίδιο οδηγιών.



Μια αντιπροσωπευτική μπαταρία που ισχύει για αυτό το προϊόν.



Μόνο για τις χώρες της ΕΕ  
Λόγω της παρουσίας των επικίνδυνων συστατικών μερών στον εξοπλισμό, ο απόβλητος ηλεκτρικός και ηλεκτρονικός εξοπλισμός, οι συσσωρευτές και οι μπαταρίες μπορεί να έχουν αρνητική επίδραση στο περιβάλλον και την ανθρώπινη υγεία. Μην απορρίπτετε τις ηλεκτρικές και ηλεκτρονικές συσκευές ή μπαταρίες μαζί με τα οικιακά απορρίμματα!  
Σύμφωνα με την Ευρωπαϊκή Οδηγία για τον απόβλητο ηλεκτρικό και ηλεκτρονικό εξοπλισμό και για τους συσσωρευτές και μπαταρίες και τους απόβλητους συσσωρευτές και μπαταρίες, καθώς και την προσαρμογή τους στην εθνική νομοθεσία, ο απόβλητος ηλεκτρικός εξοπλισμός, οι μπαταρίες και οι συσσωρευτές θα πρέπει να αποθηκεύονται ξεχωριστά και να παραδίδονται σε ξεχωριστό σημείο συλλογής για δημοτικά απόβλητα, το οποίο λειτουργεί σύμφωνα με τους κανονισμούς για την προστασία του περιβάλλοντος.  
Αυτό υποδεικνύεται από το σύμβολο του διαγραμμένου τροχοφόρου κάδου που βρίσκεται αναριημένο επάνω στον εξοπλισμό.

## Προοριζόμενη χρήση

Το εργαλείο προορίζεται για τη συλλογή ξηρής σκόνης.

## ΠΡΟΕΙΔΟΠΟΙΗΣΕΙΣ ΑΣΦΑΛΕΙΑΣ

### Προειδοποιήσεις ασφάλειας για τη φορητή σκούπα

**⚠ ΠΡΟΕΙΔΟΠΟΙΗΣΗ: ΣΗΜΑΝΤΙΚΟ! ΔΙΑΒΑΣΤΕ ΠΡΟΣΕΚΤΙΚΑ όλες τις προειδοποιήσεις για την ασφάλεια και όλες τις οδηγίες ΠΡΙΝ ΑΠΟ ΤΗ ΧΡΗΣΗ.** Η μη τήρηση των προειδοποιήσεων και οδηγιών μπορεί να καταλήξει σε ηλεκτροπληξία, πυρκαγιά ή/και σοβαρό τραυματισμό.

1. Να μην εκτίθεται σε βροχή. Να φυλάσσεται σε εσωτερικό χώρο.
2. Δεν επιτρέπεται η χρήση της ως παιχνίδι. Απαιτείται ιδιαίτερη προσοχή κατά τη χρήση από ή κοντά σε παιδιά.
3. Να χρησιμοποιείται μόνο σύμφωνα με τις οδηγίες του παρόντος εγχειριδίου. Να χρησιμοποιούνται μόνο τα εξαρτήματα που συνιστά ο κατασκευαστής.

4. Να μη χρησιμοποιείται με μπαταρία που έχει υποστεί βλάβη. Αν η συσκευή δεν λειτουργεί όπως θα έπρεπε, έχει υποστεί πτώση ή βλάβη, έχει αφεθεί σε εξωτερικό χώρο ή έχει πέσει μέσα σε νερό, να επιστραφεί σε κέντρο σέρβις.
5. Μην χειρίζεστε τη συσκευή με βρεγμένα χέρια.
6. Μην τοποθετείτε κανένα αντικείμενο μέσα στα ανοίγματα. Να μην χρησιμοποιείται αν παρουσιαστεί φράξιμο κάποιου ανοίγματος, να διατηρείται χωρίς ίχνη σκόνης, χνούδια, τρίχες και οτιδήποτε μπορεί να προκαλέσει μείωση της ροής αέρα.
7. Διατηρείτε τα μαλλιά, τα φαρδιά ρούχα και όλα τα μέρη του σώματος σας μακριά από τα ανοίγματα και κινούμενα μέρη.
8. Να απενεργοποιείτε όλα τα στοιχεία ελέγχου πριν από την αφαίρεση της μπαταρίας.
9. Να προσέχετε ιδιαίτερα, όταν καθαρίζετε σκαλοπάτια.
10. Να μην χρησιμοποιείται για τη συλλογή εύφλεκτων ή καύσιμων υγρών, όπως βενζίνη, ή σε χώρους παρουσία αυτών.
11. Για επαναφόρτιση, να χρησιμοποιείται μόνο ο φορτιστής που παρέχεται από τον κατασκευαστή.
12. Να μην χρησιμοποιείται για τη συλλογή οποιουδήποτε αντικειμένου καίγεται ή αναδίδει καπνό, όπως τσιγάρα, στίρτα ή θερμές στάχτες.
13. Να μην χρησιμοποιείται χωρίς τη σακούλα σκόνης ή/και τα φίλτρα.
14. Μην φορτίζετε τη μπαταρία σε εξωτερικό χώρο.
15. Να αναφορτίζετε μόνο με το φορτιστή που καθορίζεται από τον κατασκευαστή. Ένας φορτιστής που είναι κατάλληλος για μια συγκεκριμένη κασέτα μπαταριών μπορεί να δημιουργήσει κίνδυνο πυρκαγιάς όταν χρησιμοποιείται με μια άλλη κασέτα μπαταριών.
16. Να χρησιμοποιείτε συσκευές μόνο με ειδικά καθορισμένες κασέτες μπαταριών. Η χρήση κάθε άλλης κασέτας μπαταριών μπορεί να δημιουργήσει κίνδυνο τραυματισμού ή πυρκαγιάς.
17. Όταν δεν χρησιμοποιείται η κασέτα μπαταριών, διατηρήστε τη μακριά από άλλα μεταλλικά αντικείμενα, όπως συνδετήρες, κέρματα, κλειδιά, καρφιά, βίτρες ή άλλα μικρά μεταλλικά αντικείμενα, με τα οποία μπορεί να δημιουργηθεί σύνδεση από τον έναν ακροδέκτη στον άλλον.
18. Υπό συνθήκες κατάχρησης, μπορεί να εξαχθεί υγρό από την μπαταρία. Να αποφεύγετε την επαφή. Αν συμβεί επαφή κατά λάθος, εκπλύετε με νερό.
19. Μην χρησιμοποιείτε μια κασέτα μπαταριών ή συσκευή που έχει καταστραφεί ή τροποποιηθεί. Οι κατεστραμμένες ή τροποποιημένες μπαταρίες μπορεί να παρουσιάζουν απρόβλεπτη συμπεριφορά που έχει ως αποτέλεσμα πυρκαγιά, έκρηξη ή κίνδυνο τραυματισμού.
20. Μην εκθέτετε την κασέτα μπαταριών ή τη συσκευή σε πυρκαγιά ή υπερβολικά υψηλή θερμοκρασία. Η έκθεση σε φωτιά ή θερμοκρασία άνω των 130 °C μπορεί να προκαλέσει έκρηξη.

21. Ακολουθήστε όλες τις οδηγίες φόρτισης και μην φορτίσετε την κασέτα μπαταριών ή τη συσκευή εκτός του θερμοκρασιακού εύρους που καθορίζεται στις οδηγίες. Η λανθασμένη φόρτιση ή η φόρτιση σε θερμοκρασίες εκτός του καθορισμένου εύρους μπορεί να προκαλέσει ζημιά στην μπαταρία και να αυξήσει τον κίνδυνο πυρκαγιάς.
3. Εάν ο χρόνος λειτουργίας έχει γίνει υπερβολικά βραχύς, σταματήστε τη λειτουργία αμέσως. Αλλιώς, μπορεί να έχει ως αποτέλεσμα κίνδυνο υπερθέρμανσης, πιθανά εγκαύματα ή ακόμη και έκρηξη.
4. Εάν ηλεκτρολύτης μπει στα μάτια σας, ξεπλύνετε τα με καθαρό νερό και ζητήστε ιατρική φροντίδα αμέσως. Αλλιώς, μπορεί να έχει ως αποτέλεσμα απώλεια της όρασης σας.
5. Μην βραχυκυκλώνετε την κασέτα μπαταριών:
  - (1) Μην αγγίζετε τους πόλους με οτιδήποτε αγώγιμο υλικό.
  - (2) Αποφεύγετε να αποθηκεύετε την κασέτα μπαταριών μέσα σε ένα δοχείο μαζί με άλλα μεταλλικά αντικείμενα όπως καρφιά, νομίσματα, κλπ.
  - (3) Μην εκθέτετε την κασέτα μπαταριών στο νερό ή στη βροχή.

## ΦΥΛΑΞΤΕ ΤΙΣ ΟΔΗΓΙΕΣ ΑΥΤΕΣ.

### ΕΠΙΠΡΟΣΘΕΤΟΙ ΚΑΝΟΝΕΣ ΑΣΦΑΛΕΙΑΣ

Η συσκευή αυτή προορίζεται για οικιακή χρήση.

1. Διαβάστε προσεκτικά το παρόν εγχειρίδιο χρήσης όπως και το εγχειρίδιο χρήσης του φορτιστή πριν από τη χρήση.
2. Μην συλλέξετε τα ακόλουθα υλικά:
  - Καυτά υλικά όπως αναμμένα τσιγάρα ή μεταλλική σκόνη/ρίνισματα που παράγονται από λείανση/κοπή μετάλλων
  - Εύφλεκτα υλικά όπως βενζίνη, διαλυτικό, πετρελαϊκό αιθέρα, κηροζίνη ή χρώματα
  - Εκρηκτικά υλικά όπως νιτρογλυκερίνη
  - Αναφλέξιμα υλικά όπως αλουμίνιο, ψευδάργυρο, μαγνήσιο, τιτάνιο, φώσφορο ή κυτταρινοειδές φιλμ
  - Υγρές ακαθαρσίες, νερό, έλαιο ή παρόμοιες ουσίες
  - Αιχμηρά τεμάχια σκληρών υλικών, όπως ροκανίδια, μέταλλα, πέτρες, γυαλιά, καρφιά, πινέζες ή ξυραφάκια
  - Σκόνη η οποία σβωλιάζει όπως τοτσιμέντο ή το τόνερ
  - Αγώγιμη σκόνη όπως μετάλλου ή άνθρακα
  - Μικρά σωματίδια όπως σκόνη σκυροδέματος

Αυτή η ενέργεια μπορεί να προκαλέσει πυρκαγιά, τραυματισμό ή/και ζημιά σε περιουσιακά στοιχεία.

3. Διακόψτε τη λειτουργία αμέσως, μόλις παρατηρήσετε οτιδήποτε μη φυσιολογικό.
4. Σε περίπτωση που η σκούπα υποστεί πτώση ή κτύπημα, ελέγξτε τη προσεκτικά για ρωγμές ή βλάβη πριν από τη λειτουργία.
5. Μην πλησιάζετε σε θερμάστρες ή άλλες πηγές θερμότητας.
6. Μην φράσσετε την οπή εισαγωγής ή τις οπές αερισμού.

## ΦΥΛΑΞΤΕ ΤΙΣ ΟΔΗΓΙΕΣ ΑΥΤΕΣ.

### Σημαντικές οδηγίες ασφάλειας για κασέτα μπαταριών

1. Πριν χρησιμοποιήσετε την κασέτα μπαταριών, διαβάστε όλες τις οδηγίες και σημειώσεις προφύλαξης (1) στον φορτιστή μπαταριών, (2) στην μπαταρία και (3) στο προϊόν που χρησιμοποιεί την μπαταρία.
  2. Μην αποσυναρμολογήσετε ή παραβιάσετε την κασέτα μπαταριών. Μπορεί να έχει ως αποτέλεσμα πυρκαγιά, υπερθέρμανση ή έκρηξη.
  3. Εάν ο χρόνος λειτουργίας έχει γίνει υπερβολικά βραχύς, σταματήστε τη λειτουργία αμέσως. Αλλιώς, μπορεί να έχει ως αποτέλεσμα κίνδυνο υπερθέρμανσης, πιθανά εγκαύματα ή ακόμη και έκρηξη.
  4. Εάν ηλεκτρολύτης μπει στα μάτια σας, ξεπλύνετε τα με καθαρό νερό και ζητήστε ιατρική φροντίδα αμέσως. Αλλιώς, μπορεί να έχει ως αποτέλεσμα απώλεια της όρασης σας.
  5. Μην βραχυκυκλώνετε την κασέτα μπαταριών:
    - (1) Μην αγγίζετε τους πόλους με οτιδήποτε αγώγιμο υλικό.
    - (2) Αποφεύγετε να αποθηκεύετε την κασέτα μπαταριών μέσα σε ένα δοχείο μαζί με άλλα μεταλλικά αντικείμενα όπως καρφιά, νομίσματα, κλπ.
    - (3) Μην εκθέτετε την κασέτα μπαταριών στο νερό ή στη βροχή.
- Ένα βραχυκύκλωμα μπαταρίας μπορεί να προκαλέσει μεγάλη ροή ρεύματος, υπερθέρμανση, πιθανά εγκαύματα ακόμη και σοβαρή βλάβη.
6. Μην αποθηκεύετε και μην χρησιμοποιείτε το εργαλείο και την κασέτα μπαταριών σε τοποθεσίες όπου η θερμοκρασία μπορεί να φτάσει ή να ξεπεράσει τους 50 °C.
  7. Μην καίτε την κασέτα μπαταριών ακόμη και εάν έχει σοβαρή ζημιά ή είναι εντελώς φθαρμένη. Η κασέτα μπαταριών μπορεί να εκραγεί στη φωτιά.
  8. Μην καρφώσετε, κόψετε, συνθλίψετε, πετάξετε ή ρίξετε κάτω την κασέτα μπαταριών, ούτε να χτυπήσετε ένα σκληρό αντικείμενο επάνω στην κασέτα μπαταριών. Τέτοια συμπεριφορά μπορεί να έχει ως αποτέλεσμα πυρκαγιά, υπερθέρμανση ή έκρηξη.
  9. Μην χρησιμοποιείτε μπαταρία που έχει υποστεί ζημιά.
  10. Οι μπαταρίες ιόντων λιθίου που περιέχονται υπόκεινται στις απαιτήσεις της νομοθεσίας για επικίνδυνα αγαθά.
 

Για εμπορικές μεταφορές, για παράδειγμα από τρίτα μέρη, πρέπει να τηρούνται οι διαμεταφορές, οι ειδικές απαιτήσεις στη συσκευασία και η επισήμανση.

Για προετοιμασία του στοιχείου που αποστέλλεται, είναι απαραίτητο να συμβουλευτείτε έναν ειδικό για επικίνδυνα υλικά. Επίσης, τηρήστε τους πιθανούς, πιο αναλυτικούς εθνικούς κανονισμούς. Καλύψτε με αυτοκόλλητη ταινία ή κρύψτε τις ανοικτές επαφές και συσκευάστε την μπαταρία με τρόπο που να μην μπορεί να μετακινείται μέσα στη συσκευασία.
  11. Όταν απορρίπτετε την κασέτα μπαταριών, αφαιρέστε την από το εργαλείο και διαθέστε την σε ένα ασφαλές μέρος. Τηρήστε τους τοπικούς κανονισμούς που σχετίζονται με τη διάθεση της μπαταρίας.
  12. Χρησιμοποιήστε τις μπαταρίες μόνο με τα προϊόντα που καθορίζει η Makita. Αν τοποθετήσετε τις μπαταρίες σε μη συμβατά προϊόντα μπορεί να έχει ως αποτέλεσμα πυρκαγιά, υπερβολική θερμότητα, έκρηξη ή διαρροή ηλεκτρολύτη.

13. Αν δεν χρησιμοποιείτε το εργαλείο για μεγάλο χρονικό διάστημα, πρέπει να βγάλετε την μπαταρία από το εργαλείο.
14. Κατά τη διάρκεια και μετά τη χρήση, η κασέτα μπαταριών μπορεί να θερμανθεί, γεγονός που μπορεί να προκαλέσει εγκαύματα ή εγκαύματα από χαμηλή θερμοκρασία. Προσέχετε το χειρισμό των ζεστών κασετών μπαταριών.
15. Μην αγγίζετε τον ακροδέκτη του εργαλείου αμέσως μετά τη χρήση επειδή μπορεί να έχει ζεσταθεί αρκετά για να προκαλέσει εγκαύματα.
16. Μην αφήνετε θραύσματα, σκόνη ή βρομιά να κολλήσει στους ακροδέκτες, τις οπές και τις εγκοπές της κασέτας μπαταριών. Μπορεί να προκαλέσει θέρμανση, φωτιά, έκρηξη και δυσλειτουργία του εργαλείου ή της κασέτας μπαταριών, έχοντας ως αποτέλεσμα εγκαύματα ή προσωπικό τραυματισμό.
17. Εκτός αν το εργαλείο υποστηρίζει τη χρήση κοντά σε ηλεκτρικές γραμμές υψηλής τάσης, μην χρησιμοποιείτε την κασέτα μπαταριών κοντά σε ηλεκτρικές γραμμές υψηλής τάσης. Μπορεί να έχει ως αποτέλεσμα δυσλειτουργία ή σπάσιμο του εργαλείου ή της κασέτας μπαταριών.
18. Κραφουλάξτε την μπαταρία μακριά από παιδιά.

## ΦΥΛΑΞΤΕ ΤΙΣ ΟΔΗΓΙΕΣ ΑΥΤΕΣ.

**▲ΠΡΟΣΟΧΗ:** Να χρησιμοποιείτε μόνο γνήσιες μπαταρίες της Makita. Η χρήση μη γνήσιων μπαταριών Makita, ή μπαταριών που έχουν τροποποιηθεί, μπορεί να έχει ως αποτέλεσμα τη ρήξη της μπαταρίας, προκαλώντας πυρκαγιά, προσωπικό τραυματισμό και βλάβη. Επίσης, θα ακυρωθεί η εγγύηση της Makita για το εργαλείο και φορτιστή Makita.

## Συμβουλές για τη διατήρηση της μέγιστης ζωής μπαταρίας

1. Φορτίζετε την κασέτα μπαταριών πριν από την πλήρη αποφόρτιση της. Πάντοτε να σταματάτε τη λειτουργία του εργαλείου και να φορτίζετε την κασέτα μπαταριών όταν παρατηρείτε μειωμένη ισχύ εργαλείου.
2. Ποτέ μην επαναφορτίζετε μια πλήρως φορτισμένη κασέτα μπαταριών. Η υπερφόρτιση μειώνει την ωφέλιμη ζωή της μπαταρίας.
3. Να φορτίζετε την κασέτα μπαταριών σε θερμοκρασία δωματίου, δηλαδή στους 10 °C έως 40 °C. Αφήστε μια θερμή κασέτα μπαταριών να κρυώσει πριν την φορτίσετε.
4. Όταν δεν χρησιμοποιείτε την κασέτα μπαταριών, αφαιρέστε την από το εργαλείο ή τον φορτιστή.
5. Να φορτίζετε την κασέτα μπαταριών εάν δεν τη χρησιμοποιείτε για μεγάλη χρονική περίοδο (περισσότερο από έξι μήνες).

## ΠΕΡΙΓΡΑΦΗ ΛΕΙΤΟΥΡΓΙΑΣ

**▲ΠΡΟΣΟΧΗ:** Να φροντίζετε πάντα για την απενεργοποίηση του εργαλείου και την αφαίρεση της κασέτας μπαταρίας, πριν από οποιαδήποτε ρύθμιση ή έλεγχο της λειτουργίας του.

**▲ΠΡΟΣΟΧΗ:** Φροντίστε ώστε να μην παγιδεύσετε δάκτυλο(α) στο χώρο μεταξύ σκουπίας και μπαταρίας, όπως απεικονίζεται στην εικόνα, κατά τη φόρτωση της μπαταρίας. Η παγίδευση δακτύλου μπορεί να προκαλέσει τραυματισμό.

► Εικ.1

## Τοποθέτηση ή αφαίρεση της κασέτας μπαταριών

**▲ΠΡΟΣΟΧΗ:** Να σβήνετε πάντα το εργαλείο πριν τοποθετήσετε ή αφαιρέσετε την κασέτα μπαταριών.

**▲ΠΡΟΣΟΧΗ:** Κρατήστε το εργαλείο και την κασέτα μπαταριών σταθερά κατά την τοποθέτηση ή αφαίρεση της κασέτας μπαταριών. Εάν δεν κρατάτε το εργαλείο και την κασέτα μπαταριών σταθερά μπορεί να γλιστρήσουν από τα χέρια σας και να προκληθεί βλάβη στο εργαλείο και την κασέτα μπαταριών και προσωπικός τραυματισμός.

► Εικ.2: 1. Κόκκινος δείκτης 2. Κουμπί 3. Κασέτα μπαταριών

Για να αφαιρέσετε την κασέτα μπαταριών, ολισθήστε την από το εργαλείο ενώ σύρετε το κουμπί στο μπροστινό μέρος της κασέτας.

Για να τοποθετήσετε την κασέτα μπαταριών, ευθυγραμμίστε τη γλώσσα στην κασέτα μπαταριών με την εγκοπή στο περίβλημα και ολισθήστε τη στη θέση της. Τοποθετήστε την μέχρι τέρμα μέχρι να ασφαλίσει στη θέση της, γεγονός που υποδεικνύεται με ένα χαρακτηριστικό ήχο. Αν μπορείτε να δείτε τον κόκκινο δείκτη όπως απεικονίζεται στην εικόνα, δεν έχει κλειδώσει τελείως.

**▲ΠΡΟΣΟΧΗ:** Να τοποθετείτε πάντα την κασέτα μπαταριών πλήρως μέχρι να μη βλέπετε τον κόκκινο δείκτη. Εάν δεν ασφαλίσει, μπορεί να πέσει από το εργαλείο τυχαία, προκαλώντας σωματική βλάβη σε εσάς ή κάποιον άλλο γύρω σας.

**▲ΠΡΟΣΟΧΗ:** Μην τοποθετείτε την κασέτα μπαταριών με βία. Εάν η κασέτα δεν ολισθαίνει με ευκολία, τότε δεν έχει τοποθετηθεί κατάλληλα.

## Σύστημα προστασίας μπαταρίας

Το εργαλείο είναι εξοπλισμένο με σύστημα προστασίας εργαλείου/μπαταρίας. Αυτό το σύστημα αποκόπτει αυτόματα την ισχύ προς το μοτέρ για να παραταθεί η διάρκεια λειτουργίας του εργαλείου και της μπαταρίας. Το εργαλείο σταματάει αυτόματα κατά τη διάρκεια της λειτουργίας αν το εργαλείο ή η μπαταρία βρεθούν κάτω από τις παρακάτω συνθήκες.

## Υπερφόρτωση:

Το εργαλείο/μπαταρία λειτουργεί με τρόπο ώστε να αναγκάζεται να καταναλώνει ασυνήθιστα υψηλό ρεύμα. Σε αυτή την κατάσταση, σβήστε το εργαλείο και διακόψτε την εφαρμογή που προκαλεί την υπερφόρτωση του εργαλείου. Μετά, ενεργοποιήστε το εργαλείο για επανεκκίνηση. Αν το εργαλείο δεν ξεκινάει, το εργαλείο/μπαταρία έχει υπερθερμανθεί. Σε αυτή την κατάσταση, αφήστε το εργαλείο/μπαταρία να ψυχθεί πριν ενεργοποιήσετε ξανά το εργαλείο.

## Χαμηλή τάση μπαταρίας:

Η υπόλοιπη χωρητικότητα μπαταρίας είναι πολύ χαμηλή και το εργαλείο δεν λειτουργεί. Σε αυτή την περίπτωση, αφαιρέστε και επαναφορτίστε την μπαταρία.

## Προστασία και από άλλες αιτίες:

Το σύστημα προστασίας έχει επίσης σχεδιαστεί για άλλες αιτίες που μπορούν να προκαλέσουν ζημιά στο εργαλείο και επιπρέπει την αυτόματη διακοπή του εργαλείου. Λάβετε όλα τα ακόλουθα βήματα για να διορθώσετε τις αιτίες, όταν το εργαλείο τεθεί σε προσωρινή διακοπή ή διακοπή κατά τη διάρκεια της λειτουργίας.

















1. Απενεργοποιήστε το εργαλείο και, στη συνέχεια, ενεργοποιήστε το ξανά για επανεκκίνηση.
2. Φορτίστε την μπαταρία ή τις μπαταρίες ή αντικαταστήστε τις με επαναφορτιζόμενες μπαταρίες.
3. Αφήστε το εργαλείο και τις μπαταρίες να ψυχθούν.

Εάν δεν υπάρχει βελτίωση με την επαναφορά του συστήματος προστασίας, επικοινωνήστε με το τοπικό σας κέντρο εξυπηρέτησης της Makita.

## Εμφάνιση υπολειπόμενης χωρητικότητας μπαταρίας

Πίστετε το κουμπί ελέγχου στην κασέτα μπαταριών για να υποδείξετε την υπολειπόμενη χωρητικότητα μπαταρίας. Οι ενδεικτικές λυχνίες ανάβουν για λίγα δευτερόλεπτα.

► **Εικ.3:** 1. Ενδεικτικές λυχνίες 2. Κουμπί ελέγχου

Ενδεικτικές λυχνίες			Υπολειπόμενη χωρητικότητα
 Αναμμένες	 Σβηστές	 Αναβοσβήνουν	
			75% έως 100%
			50% έως 75%
			25% έως 50%
			0% έως 25%
			Φορτίστε την μπαταρία.
 	 		Μπορεί να προέκυψε δυσλειτουργία στην μπαταρία.





**ΠΑΡΑΤΗΡΗΣΗ:** Ανάλογα με τις συνθήκες χρήσης και τη θερμοκρασία περιβάλλοντος, η ένδειξη μπορεί να διαφέρει λίγο από την πραγματική χωρητικότητα.

**ΠΑΡΑΤΗΡΗΣΗ:** Η πρώτη (τέρμα αριστερά) ενδεικτική λυχνία θα αναβοσβήνει όταν λειτουργεί το σύστημα προστασίας μπαταρίας.

## Δράση διακοπής

- **Εικ.4:** 1. Κουμπί αλλαγής ισχύος αναρρόφησης  
2. Κουμπί ενεργοποίησης/απενεργοποίησης

Για να ξεκινήσετε τη λειτουργία της σκούπας, απλά πατήστε το κουμπί ενεργοποίησης/απενεργοποίησης. Για να τη σβήσετε, πατήστε ξανά το κουμπί ενεργοποίησης/απενεργοποίησης. Μπορείτε να αλλάξετε την ισχύ αναρρόφησης της σκούπας σε τέσσερα βήματα αν πατήσετε το κουμπί αλλαγής ισχύος αναρρόφησης. Με κάθε πάτημα αυτού του κουμπιού επαναλαμβάνεται ο τρόπος αθόρυβης/κανονικής/υψηλής/μέγιστης λειτουργίας σε έναν κύκλο.

Επίπεδο	Ένδειξη	Τρόπος λειτουργίας
1		Τρόπος αθόρυβης λειτουργίας
2		Τρόπος λειτουργίας κανονικής ταχύτητας
3		Τρόπος λειτουργίας υψηλής ταχύτητας
4		Τρόπος λειτουργίας μέγιστης ταχύτητας

**ΠΑΡΑΤΗΡΗΣΗ:** Μπορείτε να αλλάξετε την ισχύ αναρρόφησης πριν ενεργοποιήσετε τη σκούπα.

**ΠΑΡΑΤΗΡΗΣΗ:** Η σκούπα αρχίζει τη λειτουργία με την ίδια ισχύ αναρρόφησης όπως στην τελευταία λειτουργία.

## Αναμμα της λάμπας

**ΠΡΟΣΟΧΗ:** Μην κοιτάζετε κατευθείαν μέσα στο φως ή στην πηγή φωτός.

Για να ανάψετε τη λάμπα, πατήστε το κουμπί αλλαγής ισχύος αναρρόφησης. Η λάμπα σβήνει σε περίπου 10 δευτερόλεπτα.

Ενώ η σκούπα λειτουργεί, η λάμπα είναι αναμμένη. Η λάμπα σβήνει περίπου 10 δευτερόλεπτα μετά τη διακοπή της λειτουργίας.

**ΠΑΡΑΤΗΡΗΣΗ:** Όταν το υπολειπόμενο φορτίο της μπαταρίας είναι χαμηλό, η λάμπα αρχίζει να αναβοσβήνει. Ο χρόνος που θα αρχίσει να αναβοσβήνει η λάμπα εξαρτάται από τη θερμοκρασία στο χώρο εργασίας και τις συνθήκες τις κασέτας μπαταριών.

- **Εικ.5:** 1. Κουμπί αλλαγής ισχύος αναρρόφησης  
2. Κουμπί ενεργοποίησης/απενεργοποίησης  
3. Λάμπα

# ΠΕΡΙΓΡΑΦΗ ΕΞΑΡΤΗΜΑΤΩΝ

Ειδικό της χώρας

► Εικ.6

1	Θήκη σκόνης 250 mL (προαιρετικό αξεσουάρ)	2	Θήκη σκόνης 400 mL (προαιρετικό αξεσουάρ)	3	Κυψελωτό φίλτρο	4	Σώμα κυκλώνα
5	Φίλτρο υψηλής απόδοσης (πλαίσιο φίλτρου σε γκρι χρώμα) (προαιρετικό αξεσουάρ)	6	Φίλτρο HEPA (πλαίσιο φίλτρου σε λευκό χρώμα) (προαιρετικό αξεσουάρ)	7	Σπογγώδες φύλλο	8	Σώμα σκούπας
9	Ιμάντας χειρός (ειδικό της χώρας)	-	-	-	-	-	-

## ΣΥΝΑΡΜΟΛΟΓΗΣΗ

**ΠΡΟΣΟΧΗ:** Να βεβαιώνετε πάντα ότι το εργαλείο είναι σβηστό και η κασέτα μπαταρίας έχει αφαιρεθεί πριν εκτελέσετε κάποια εργασία στο εργαλείο.

**ΕΙΔΟΠΟΙΗΣΗ:** Βεβαιωθείτε ότι όλα τα προσαρτήματα και εξαρτήματα είναι ασφαλισμένα σωστά στη θέση τους πριν από τη χρήση.

### Τοποθέτηση και αφαίρεση των προσαρτημάτων σκούπας

**ΠΡΟΣΟΧΗ:** Μετά την τοποθέτηση των προσαρτημάτων, βεβαιωθείτε ότι έχουν τοποθετηθεί σταθερά. Αν τα προσάρτηματα δεν τοποθετηθούν καλά, μπορεί να βγουν και να προκληθεί τραυματισμός.

**ΠΡΟΣΟΧΗ:** Προσέχετε να μην χτυπήσετε το χέρι σας στον τοίχο κ.λπ. όταν αφαιρείτε τα προσάρτηματα.

### Όταν χρησιμοποιείτε προσάρτημα με λειτουργία ασφάλισης

Για να τοποθετήσετε το προσάρτημα, εισαγάγετέ το στην είσοδο αναρρόφησης της σκούπας μέχρι να ασφαλίσει. Βεβαιωθείτε ότι το προσάρτημα έχει ασφαλίσει.

► **Εικ.7:** 1. Είσοδος αναρρόφησης 2. Προσάρτημα με λειτουργία ασφάλισης 3. Γάντζος

**ΕΙΔΟΠΟΙΗΣΗ:** Όταν τοποθετείτε το προσάρτημα με λειτουργία ασφάλισης, φροντίστε να ευθυγραμμίσετε το κουμπί απασφάλισης στη σκούπα με τον γάντζο στο προσάρτημα. Αν δεν ευθυγραμμιστούν, το προσάρτημα δεν θα ασφαλίσει και μπορεί να βγει από τη σκούπα.

Για να αφαιρέσετε ένα προσάρτημα, τραβήξτε το να βγει από τη σκούπα ενώ πατάτε παρατεταμένα τους βραχίονες του κουμπιού απασφάλισης.

► **Εικ.8:** 1. Κουμπί απασφάλισης 2. Βραχίονας κουμπιού απασφάλισης 3. Προσάρτημα με λειτουργία ασφάλισης 4. Είσοδος αναρρόφησης

### Όταν χρησιμοποιείτε προσάρτημα χωρίς λειτουργία ασφάλισης

**ΕΙΔΟΠΟΙΗΣΗ:** Για την τοποθέτηση του προσαρτήματος χωρίς τη λειτουργία ασφάλισης, εισαγάγετέ το στην είσοδο αναρρόφησης της σκούπας περιστρέφοντάς το όπως απεικονίζεται στην εικόνα. Για αποσύνδεση του προσαρτήματος, ελευθερώστε το από τη σκούπα περιστρέφοντάς το όπως απεικονίζεται στην εικόνα. Αποφύγετε τη συστορή του προσαρτήματος προς την αντίθετη κατεύθυνση του βέλους στην εικόνα, επειδή μπορεί να χαλαρώσει τη μονάδα κυκλώνα.

► Εικ.9

## ΛΕΙΤΟΥΡΓΙΑ

**ΠΡΟΣΟΧΗ:** Μην πλησιάζετε το πρόσωπό σας στην οπή εξερισμού όταν χρησιμοποιείτε τη σκούπα. Αν φυσήξετε ξένα αντικείμενα μέσα στα μάτια, μπορεί να έχει ως αποτέλεσμα προσωπικό τραυματισμό.

**ΕΙΔΟΠΟΙΗΣΗ:** Αποφύγετε τη χρήση της σκούπας σε οριζόντια ή ανοδικά στραμμένη θέση. Ειδάλλως, το κυψελωτό φίλτρο μπορεί να φράξει.

**ΕΙΔΟΠΟΙΗΣΗ:** Να χρησιμοποιείτε πάντα τη σκούπα με τα φίλτρα τοποθετημένα. Αν χρησιμοποιήσετε τη σκούπα χωρίς φίλτρα, μπορεί να έχει ως αποτέλεσμα δυσλειτουργία του μοτέρ.

**ΕΙΔΟΠΟΙΗΣΗ:** Αδειάστε τη θήκη σκόνης στη μονάδα κυκλώνα όταν έχει συσσωρευτεί σκόνη. Η συνεχιζόμενη χρήση θα έχει ως αποτέλεσμα εξασθενημένη αναρροφητική ισχύ.

Η μονάδα κυκλώνα βοηθάει στη μείωση της ποσότητας σκόνης που εισέρχεται στη σκούπα, ενισχύοντας την απόδοση αναρρόφησης με απλή και εύκολη απόρριψη σκόνης.

## Καθαρισμός (Αναρρόφηση)

### Ακροφύσιο

Με θήκη σκόνης 250 mL μόνο

Προσαρμόστε το ακροφύσιο για να καθαρίσετε τραπέζια, γραφεία, έπιπλα, κ.λπ. Το ακροφύσιο τοποθετείται εύκολα σύροντάς το.

► **Εικ.10:** 1. Ακροφύσιο

### Ακροφύσιο + Ράβδος προέκτασης (Ευθύς σωλήνας)

Η ράβδος προέκτασης τοποθετείται μεταξύ ακροφυσίου και σκούπας. Ο συνδυασμός αυτός διευκολύνει στον καθαρισμό ενός δαπέδου, ενώ ο χειριστής παραμένει σε όρθια θέση.

► **Εικ.11:** 1. Σώμα σκούπας 2. Ράβδος προέκτασης 3. Ακροφύσιο

### Ακροφύσιο γωνιών

Τοποθετήστε το ακροφύσιο γωνιών για να καθαρίσετε γωνίες και χαραμάδες σε ένα αυτοκίνητο ή έπιπλα.

► **Εικ.12:** 1. Ακροφύσιο γωνιών 2. Σώμα σκούπας

Μπορείτε να αποθηκεύσετε το ακροφύσιο γωνιών στον υποδοχέα ακροφυσίου.

► **Εικ.13:** 1. Υποδοχέας ακροφυσίου 2. Ακροφύσιο γωνιών

**▲ΠΡΟΣΟΧΗ:** Προσέχετε να μην παγιδεύσετε το(α) δάχτυλο(α) μεταξύ του ακροφυσίου γωνιών και του υποδοχέα ακροφυσίου. Η παγίδευση δακτύλων μπορεί να προκαλέσει τραυματισμό.

### Ακροφύσιο γωνιών + Ράβδος προέκτασης (Ευθύς σωλήνας)

Χρησιμοποιήστε αυτόν το συνδυασμό σε περιορισμένους χώρους, όπου η σκούπα δεν χωρά, ή σε υψηλά σημεία όπου η πρόσβαση είναι δύσκολη.

► **Εικ.14:** 1. Ακροφύσιο γωνιών 2. Ράβδος προέκτασης 3. Σώμα σκούπας

### Καθαρισμός χωρίς ακροφύσιο

Με θήκη σκόνης 250 mL μόνο

Μπορείτε να συλλέξετε σκόνη χωρίς το ακροφύσιο.

► **Εικ.15**

Για τη συλλογή σκόνης από δάπεδο σε όρθια θέση, είναι βολικό να προσαρμόσετε τη ράβδο προέκτασης (ευθύς σωλήνας) στη σκούπα.

► **Εικ.16:** 1. Ράβδος προέκτασης

### Απόρριψη σκόνης

**▲ΠΡΟΣΟΧΗ:** Να αδειάζετε τη σκούπα πριν γεμίσει πλήρως, αλλιώς θα εξασθενήσει η δύναμη αναρρόφησης.

**▲ΠΡΟΣΟΧΗ:** Προσέχετε να μην παγιδεύσετε το δάχτυλο ή τα δάχτυλά σας στη θήκη σκόνης και το σώμα κυκλώνα κατά την επανασυναρμολόγηση.

Απορρίψτε τη συσσωρευμένη σκόνη όπως περιγράφεται στη συνέχεια, προτού ξεπεράσει τη γραμμή απόρριψης σκόνης.

1. Στρέψτε την κεφαλή της σκούπας προς τα κάτω, κρατήστε σταθερά τη θήκη σκόνης και, στη συνέχεια, αποσπείστε τη από το σώμα του κυκλώνα ενώ πατάτε παρατεταμένα τα κουμπιά απασφάλισης και στις δύο πλευρές της θήκης σκόνης.

► **Εικ.17:** 1. Γραμμή απόρριψης σκόνης 2. Θήκη σκόνης 3. Κουμπιά απασφάλισης 4. Κυψελωτό φίλτρο

2. Αδειάστε τη θήκη σκόνης και καθαρίστε την προσκολλημένη σκόνη από το κυψελωτό φίλτρο.

► **Εικ.18**

3. Τοποθετήστε τη θήκη σκόνης ξανά μέσα στο σώμα κυκλώνα για να την ασφαλίσετε στη θέση της ενώ ακούτε τους χαρακτηριστικούς ήχους ασφάλισης.

► **Εικ.19:** 1. Θήκη σκόνης 2. Κουμπιά απασφάλισης 3. Σώμα κυκλώνα

**▲ΠΡΟΣΟΧΗ:** Μπορεί να πεταχτεί σκόνη όταν αυτή απορρίπτεται από τη θήκη σκόνης. Προσέχετε να μην μπει η σκόνη στα μάτια σας.

**ΕΙΔΟΠΟΙΗΣΗ:** Όταν η θήκη σκόνης βρομίσει, αφαιρέστε και πλύνετε τη με νερό. Στεγνώστε τη θήκη σκόνης σχολαστικά πριν την επανασυναρμολόγηση και χρήση.

**ΕΙΔΟΠΟΙΗΣΗ:** Βεβαιωθείτε ότι όλα τα προσαρτήματα και εξαρτήματα είναι ασφαλισμένα σωστά στη θέση τους πριν από τη χρήση.

**ΕΙΔΟΠΟΙΗΣΗ:** Αν η αναρροφητική ισχύς δεν ανακτηθεί ακόμη και μετά την απόρριψη της σκόνης και τον καθαρισμό του κυψελωτού φίλτρου, ελέγξτε αν έχει συσσωρευτεί σκόνη στο εσωτερικό του σώματος κυκλώνα ή αν έχει συμβεί φράξιμο.

## ΣΥΝΤΗΡΗΣΗ

**▲ΠΡΟΣΟΧΗ:** Πριν την εκτέλεση εργασιών επιθεώρησης ή συντήρησης, πάντοτε να βεβαιώνετε ότι η συσκευή απενεργοποιήθηκε και η κασέτα μπαταριών έχει αφαιρεθεί.

**ΕΙΔΟΠΟΙΗΣΗ:** Μην χρησιμοποιείτε ποτέ βενζίνη, πετρελαϊκό αιθέρα, διαλυτικό, αλκοόλη ή παρόμοιες ουσίες. Μπορεί να προκληθεί αποχρωματισμός, παραμόρφωση ή ρωγμές.

Για τη διατήρηση της ΑΣΦΑΛΕΙΑΣ και ΑΞΙΟΠΙΣΤΙΑΣ του προϊόντος, οι επισκευές και οποιαδήποτε άλλη εργασία συντήρησης ή ρύθμισης πρέπει να εκτελούνται από εξουσιοδοτημένα ή εργοστασιακά κέντρα εξυπηρέτησης της Makita, χρησιμοποιώντας πάντοτε ανταλλακτικά της Makita.

### Μετά από τη χρήση

**▲ΠΡΟΣΟΧΗ:** Αν ακουμπήσετε τη σκούπα στον τοίχο χωρίς καμία άλλη στήριξη μπορεί να προκαλέσει την πτώση της σκούπας, έχοντας ως αποτέλεσμα τον προσωπικό τραυματισμό ή την ζημιά στα κομμάτια.

► **Εικ.20**

## Κανονική συντήρηση

**ΕΙΔΟΠΟΙΗΣΗ:** Καθαρίστε τα φίλτρα στη μονάδα κυκλώνα όταν φράσσονται. Η συνεχιζόμενη χρήση σε φραγμένη κατάσταση μπορεί να έχει ως αποτέλεσμα τη θέρμανση ή δυσλειτουργία του μοτέρ.

**ΕΙΔΟΠΟΙΗΣΗ:** Μη φυσάτε τη σκόνη που έχει κολλήσει στη σκούπα και στα φίλτρα με σπρέι απομάκρυνσης σκόνης. Θα εισέλθει αέρας στο περίβλημα και θα προκληθεί βλάβη.

Απαιτείται συντήρηση ρουτίνας για την επαναφορά των κανονικών συνθηκών λειτουργίας.

## Σώμα σκούπας

Σκουπίστε το εξωτερικό (σώμα σκούπας) της σκούπας χρησιμοποιώντας ένα πανί που έχετε υγράνει με σαπουνόνερο και καθαρίστε τα ανοίγματα αναρρόφησης.

► **Εικ.21**

## Μονάδα κυκλώνα και φίλτρα

**ΕΙΔΟΠΟΙΗΣΗ:** Απομακρύνετε τη σκόνη και καθαρίστε το εσωτερικό της μονάδας κυκλώνα και φίλτρων, όταν η απόδοση αναρρόφησης γίνει λιγότερο αποδοτική ανεξάρτητα από την ποσότητα σκόνης που συλλέγεται στη θήκη σκόνης.

**ΕΙΔΟΠΟΙΗΣΗ:** Μετά το πλύσιμο των φίλτρων, στεγνώστε τα καλά πριν τα χρησιμοποιήσετε. Ένα φίλτρο που δεν έχει στεγνώσει επαρκώς μπορεί να προκαλέσει κακή αναρρόφηση και μείωση της διάρκειας ζωής του μοτέρ.

**ΕΙΔΟΠΟΙΗΣΗ:** Αφού καθαρίσετε τα φίλτρα και το σπογγώδες φύλλο, επανατοποθετήστε τα οπωσδήποτε πριν τη χρήση. Αν χρησιμοποιήσετε τη σκούπα χωρίς τα φίλτρα και το σπογγώδες φύλλο, θα εισέλθει σκόνη στο περίβλημα του μοτέρ και θα προκληθεί δυσλειτουργία.

## Μονάδα κυκλώνα

1. Κτυπήστε τη μονάδα κυκλώνα αρκετές φορές με το χέρι σας για να αφαιρέσετε τη σκόνη που βρίσκεται προσκολλημένη στην εσωτερική επιφάνεια της μονάδας κυκλώνα και του φίλτρου.

► **Εικ.22:** 1. Μονάδα κυκλώνα

2. Με την είσοδο αναρρόφησης στραμμένη προς τα κάτω, γυρίστε τη μονάδα κυκλώνα όπως απεικονίζεται στην εικόνα, ευθυγραμμίζοντας τον δείκτη στη μονάδα κυκλώνα με αυτόν στο σώμα σκούπας για να αποδεδειχθεί την ασφάλιση. Στη συνέχεια, αποσπώστε τη μονάδα κυκλώνα από το σώμα σκούπας αργά και ευθεία.

► **Εικ.23:** 1. Μονάδα κυκλώνα 2. Είσοδος αναρρόφησης 3. Δείκτες 4. Φίλτρο

**ΠΑΡΑΤΗΡΗΣΗ:** Μπορεί να πεταχτεί σκόνη κατά την αποσυρμαρμολόγηση της μονάδας κυκλώνα. Συνιστάται να τοποθετήσετε μια σακούλα σκουπιδιών κάτω από τη μονάδα κυκλώνα.

3. Απομακρύνετε τη σκόνη από το εσωτερικό της μονάδας κυκλώνα και του φίλτρου.

► **Εικ.24**

4. Τοποθετήστε τη μονάδα κυκλώνα ξανά μέσα στο σώμα σκούπας, ευθυγραμμίζοντας τον δείκτη στη μονάδα κυκλώνα με αυτόν στο σώμα σκούπας. Στη συνέχεια, περιστρέψτε τη μονάδα κυκλώνα όπως απαιτείται στην εικόνα μέχρι να ασφαλιστεί στη θέση της.

► **Εικ.25:** 1. Μονάδα κυκλώνα 2. Σώμα σκούπας 3. Δείκτες

## Φίλτρο υψηλής απόδοσης

### Προαιρετικό εξάρτημα

1. Αποσυρμαρμολογήστε τη μονάδα κυκλώνα από το σώμα σκούπας.

2. Κρατήστε το άκρο στερέωσης του φίλτρου υψηλής απόδοσης και τραβήξτε το για να το αποσπώσετε από το σώμα σκούπας.

► **Εικ.26:** 1. Φίλτρο υψηλής απόδοσης 2. Σώμα σκούπας

3. Σκουπίστε και ανακινήστε το φίλτρο υψηλής απόδοσης με το χέρι για να απομακρύνετε τη σκόνη.

► **Εικ.27**

4. Πλύντε το φίλτρο υψηλής απόδοσης σε σαπουνόνερο, όταν παρατηρηθεί φράξιμο λόγω σκόνης και βρομιάς. Στεγνώστε πλήρως στη σκιά πριν από τη χρήση.

► **Εικ.28**

**ΠΑΡΑΤΗΡΗΣΗ:** Αποφύγετε τη στερέωση του άκρου προσαρτήματος (ελαστικός σφραγιστικός δακτύλιος) του φίλτρου υψηλής απόδοσης όταν το κρεμάτε για στέγνωμα.

5. Κρατήστε το άκρο στερέωσης του φίλτρου υψηλής απόδοσης και συμπίεστε το ξανά στο σώμα σκούπας.

► **Εικ.29:** 1. Φίλτρο υψηλής απόδοσης 2. Σώμα σκούπας

## Φίλτρο HEPA

### Προαιρετικό εξάρτημα

**ΕΙΔΟΠΟΙΗΣΗ:** Μην τρίβετε ή γρατζουνάτε το φίλτρο HEPA με σκληρά αντικείμενα όπως βούρτσα ή σπάτουλα.

1. Αποσυρμαρμολογήστε τη μονάδα κυκλώνα από το σώμα σκούπας.

2. Κρατήστε το άκρο στερέωσης του φίλτρου HEPA (καλυμμένο με προφίλτρο υψηλής απόδοσης) και τραβήξτε το για να το αποσπώσετε από το σώμα σκούπας.

► **Εικ.30:** 1. Φίλτρο HEPA (καλυμμένο με προφίλτρο υψηλής απόδοσης) 2. Σώμα σκούπας

3. Αποσυρμαρμολογήστε το προφίλτρο υψηλής απόδοσης από το φίλτρο HEPA με το χέρι συστρέφοντάς το.

► **Εικ.31:** 1. Προφίλτρο υψηλής απόδοσης 2. Φίλτρο HEPA

4. Σκουπίστε και ανακινήστε το προφίλτρο υψηλής απόδοσης και το φίλτρο HEPA με το χέρι για να απομακρύνετε τη σκόνη.

► **Εικ.32**

5. Πλύντε το προφίλτρο υψηλής απόδοσης και το φίλτρο HEPA με σαπουνόνερο. Ξεβγάλετε και στεγνώστε τα πλήρως στη σκιά πριν από τη χρήση.

► **Εικ.33**

**ΠΑΡΑΤΗΡΗΣΗ:** Αποφύγετε τη στερέωση του άκρου προσαρτήματος (ελαστικός σφραγιστικός δακτύλιος) του φίλτρου HEPA όταν το κρεμάτε για στέγνωμα.

6. Προσαρτήστε το προφίλτρο υψηλής απόδοσης στο φίλτρο HEPA.

► **Εικ.34:** 1. Προφίλτρο υψηλής απόδοσης 2. Φίλτρο HEPA

7. Κρατήστε το άκρο στερέωσης του φίλτρου HEPA (καλυμμένο με προφίλτρο υψηλής απόδοσης) και συμπίεστε το ξανά μέσα στο σώμα σκούπας.

► **Εικ.35:** 1. Φίλτρο HEPA (καλυμμένο με προφίλτρο υψηλής απόδοσης) 2. Σώμα σκούπας

## Σπογγώδες φύλλο

1. Αποσυναρμολογήστε τη μονάδα κυκλώνα από το σώμα σκούπας.

2. Κρατήστε το άκρο στερέωσης του φίλτρου και τραβήξτε το για να το αποσπάσετε από το σώμα σκούπας.

► **Εικ.36:** 1. Φίλτρο 2. Σώμα σκούπας

3. Τραβήξτε το σπογγώδες φύλλο από το άνοιγμα αναρρόφησης.

► **Εικ.37:** 1. Σπογγώδες φύλλο 2. Άνοιγμα αναρρόφησης

4. Σκουπίστε και ανακινήστε το σπογγώδες φίλτρο με το χέρι για να απομακρύνετε τη σκόνη.

► **Εικ.38**

5. Πλύντε το σπογγώδες φίλτρο σε σαπουνό νερο, όταν παρατηρηθεί φράξιμο λόγω σκόνης και βρομιάς. Στεγνώστε πλήρως στη σκιά πριν από τη χρήση.

► **Εικ.39**

6. Τοποθετήστε το σπογγώδες φίλτρο ξανά στην αρχική θέση. Βεβαιωθείτε ότι το αριστερό και το δεξιό άκρο του σπογγώδους φίλτρου είναι ασφαλισμένα με αναστολές, καθώς και ότι δεν υπάρχει κενό μεταξύ του σπογγώδους φίλτρου και του ανοίγματος αναρρόφησης.

► **Εικ.40:** 1. Σπογγώδες φύλλο 2. Αναστολές 3. Άνοιγμα αναρρόφησης

7. Κρατήστε το άκρο στερέωσης του φίλτρου και συμπίεστε το ξανά στο σώμα σκούπας.

► **Εικ.41:** 1. Φίλτρο 2. Σώμα σκούπας

## Συντήρηση με βάση την κατάσταση

**ΕΙΔΟΠΟΙΗΣΗ:** Καθαρίστε το κυψελωτό φίλτρο στη μονάδα κυκλώνα όταν φράσσεται. Η συνεχιζόμενη χρήση σε φραγμένη κατάσταση μπορεί να έχει ως αποτέλεσμα τη θέρμανση ή δυσλειτουργία του μοτέρ.

Ο βαθύς και σημειακός καθαρισμός πρέπει να διεξάγεται ανάλογα με την απόδοση του εργαλείου σας.

## Κυψελωτό φίλτρο

Όταν η θήκη σκόνης βρομίσει ή το κυψελωτό φίλτρο φράξει, αφαιρέστε και πλύντε τα με νερό. (Ανατρέξτε στην παράγραφο «Απόρριψη σκόνης» για τη διαδικασία αφαίρεσης.)

1. Κρατήστε σταθερά τη θήκη σκόνης και αποσπάστε τη από το σώμα του κυκλώνα ενώ πατάτε παρατεταμένα τα κουμπιά απασφάλισης και στις δύο πλευρές της θήκης σκόνης.

► **Εικ.42:** 1. Θήκη σκόνης 2. Σώμα κυκλώνα 3. Κουμπιά απασφάλισης

2. Γυρίστε το κυψελωτό φίλτρο όπως απεικονίζεται στην εικόνα για να αποδεδμεύσετε την ασφάλιση. Στη συνέχεια, αποσπάστε το από το σώμα κυκλώνα.

► **Εικ.43:** 1. Κυψελωτό φίλτρο

3. Αποσυναρμολογήστε το κυψελωτό φίλτρο σε τρία συστατικά μέρη: προφίλτρο, σωληνωτό σπογγώδες φίλτρο και κυψελωτός σωλήνας.

i Συμπιέστε μαζί τους αναστολές οδήγησης στο πάνω μέρος του κυψελωτού σωλήνα.

ii Περάστε τους αναστολές οδήγησης μέσα από την οπή οδήγησης στο πάνω μέρος του προφίλτρου.

iii Τραβήξτε το προφίλτρο κατά μήκος του σωληνωτού σπογγώδους φίλτρου και κυψελωτού σωλήνα.

iv Αφαιρέστε το σωληνωτό σπογγώδες φίλτρο από τον κυψελωτό σωλήνα.

► **Εικ.44:** 1. Προφίλτρο 2. Σωληνωτό σπογγώδες φίλτρο 3. Κυψελωτός σωλήνας 4. Αναστολές οδήγησης 5. Οπή οδήγησης

4. Σκουπίστε και ανακινήστε τα φίλτρα και τον κυψελωτό σωλήνα με το χέρι για να απομακρυνθεί η σκόνη.

► **Εικ.45**

5. Πλύντε τα φίλτρα και το κυψελωτό σωλήνα σε σαπουνό νερο όταν είναι φραγμένα με σκόνη και βρομιά. Στεγνώστε τα πλήρως στη σκιά πριν από τη χρήση.

► **Εικ.46**

6. Συναρμολογήστε ξανά το κυψελωτό φίλτρο.

i Εισαγάγετε το σωληνωτό σπογγώδες φίλτρο μέσα στο προφίλτρο.

ii Εισαγάγετε τον κυψελωτό σωλήνα μέσα στο σωληνωτό σπογγώδες φίλτρο και προφίλτρο, περνώντας τους αναστολές οδήγησης στο πάνω μέρος του κυψελωτού σωλήνα μέσα από την οπή οδήγησης στο πάνω μέρος του προφίλτρου.

iii Σπρώξτε τον κυψελωτό σωλήνα μέσα από το σωληνωτό σπογγώδες φίλτρο και προφίλτρο μέχρι να ασφαλίσει στη θέση του με ένα χαρακτηριστικό ήχο.

► **Εικ.47:** 1. Προφίλτρο 2. Σωληνωτό σπογγώδες φίλτρο 3. Κυψελωτός σωλήνας 4. Αναστολές οδήγησης 5. Οπή οδήγησης

7. Προσαρτήστε το κυψελωτό φίλτρο στο σώμα κυκλώνα ευθυγραμμίζοντας τους γάντζους στο κυψελωτό φίλτρο με τις θύρες στην έξοδο αναρρόφησης του σώματος κυκλώνα. Περιτρέψτε το κυψελωτό φίλτρο όπως απεικονίζεται στην εικόνα μέχρι οι γάντζοι να ασφαλιστούν με έναν χαρακτηριστικό ήχο. Βεβαιωθείτε ότι το κυψελωτό φίλτρο είναι τοποθετημένο με ασφάλεια.

► **Εικ.48:** 1. Κυψελωτό φίλτρο 2. Σώμα κυκλώνα 3. Γάντζος 4. Θύρα

## Κανάλια αέρα στη μονάδα κυκλώνα

Οι εισερχόμενες ξένες ουσίες μπορεί να φράξουν τα κανάλια αέρα στη μονάδα κυκλώνα και να εμποδίσουν τις ροές αέρα. Αφαιρέστε οποιαδήποτε εμπόδια στη διαδρομή αέρα αν η απόδοση αναρρόφησης επηρεάζεται σε σημαντικό βαθμό.

1. Αποσυναρμολογήστε τη μονάδα κυκλώνα σε τρία συστατικά μέρη: θήκη σκόνης, κυψελωτό φίλτρο και σώμα κυκλώνα.

► **Εικ.49:** 1. Θήκη σκόνης 2. Κυψελωτό φίλτρο 3. Σώμα κυκλώνα 4. Σώμα σκούπας



2. Πατήστε παρατεταμένα τον αναστολέα οδήγησης στον σωλήνα εισόδου μέσα από την οπή ασφάλισης στο σώμα κυκλώνα χρησιμοποιώντας ένα εργαλείο χειρός με μύτη. Στη συνέχεια, αποσπάστε τον σωλήνα εισόδου από το σώμα κυκλώνα.

► **Εικ.50:** 1. Σωλήνας εισόδου 2. Αναστολέας οδήγησης 3. Σώμα κυκλώνα 4. Οπή ασφάλισης

3. Καθαρίστε οποιαδήποτε ουσία βρίσκεται στα κανάλια αέρα.

Είναι πιθανό να κολλήσουν ξένες ουσίες γύρω από τη θύρα εισερχόμενου αέρα.

► **Εικ.51:** 1. Είσοδος αναρρόφησης 2. Θύρα εισερχόμενου αέρα

4. Εισαγάγετε τον σωλήνα εισόδου ξανά στη θέση του μέχρι να ασφαλίσει καλά.

► **Εικ.52:** 1. Σωλήνας εισόδου 2. Σώμα κυκλώνα 3. Στρογγυλός δακτύλιος 4. Βαλβίδα-κλαπέτο

**ΕΙΔΟΠΟΙΗΣΗ:** Βεβαιωθείτε ότι ο στρογγυλός δακτύλιος και η βαλβίδα-κλαπέτο έχουν ασφαλίσει στη θέση τους πριν από την επανασυναρμολόγηση. Η απόδοση αναρρόφησης μπορεί να επηρεαστεί αν η μονάδα κυκλώνα λειτουργεί χωρίς τον στρογγυλό δακτύλιο και τη βαλβίδα-κλαπέτο στη θέση τους.

5. Συναρμολογήστε ξανά τη μονάδα κυκλώνα και προσαρτήστε τη στο σώμα σκούπας.

## Επίλυση προβλημάτων

Πριν ζητήσετε για επισκευές, ελέγξτε τα ακόλουθα σημεία.

Σύμπτωμα	Περιοχή διερεύνησης	Μέθοδος επιδιόρθωσης
Ασθενής ισχύς αναρρόφησης	Είναι η θήκη σκόνης ή το εσωτερικό της μονάδας κυκλώνα γεμάτα σκόνη;	Αδειάστε τη θήκη σκόνης ή το εσωτερικό της μονάδας κυκλώνα.
	Είναι φραγμένα τα φίλτρα;	Απομακρύνετε τη σκόνη ή πλύνετε το φίλτρο υψηλής απόδοσης/φίλτρο HEPA/σπογγώδες φύλλο/κυψελωτό φίλτρο.
	Φράσσει οτιδήποτε τα κανάλια εισερχόμενου αέρα;	Καθαρίστε οποιαδήποτε σκόνη και αντικείμενα από τα ανοίγματα και κανάλια αέρα.
	Είναι αποφορτισμένη η κασέτα μπαταριών;	Φορτίστε την κασέτα μπαταριών.
Δεν λειτουργεί	Είναι αποφορτισμένη η κασέτα μπαταριών;	Φορτίστε την κασέτα μπαταριών.
Θόρυβος και δόνηση	Είναι φραγμένα τα φίλτρα;	Απομακρύνετε τη σκόνη ή πλύνετε το φίλτρο υψηλής απόδοσης/φίλτρο HEPA/σπογγώδες φύλλο/κυψελωτό φίλτρο.
	Υπάρχει κάτι που φράσσει τα ανοίγματα ή τις οπές;	Καθαρίστε οποιαδήποτε σκόνη και αντικείμενα από τα ακροφύσια, τους σωλήνες και τα ανοίγματα αέρα.
	Είναι η είσοδος αναρρόφησης του ακροφυσίου ή του σωλήνα κλειστή;	Βγάλτε το κάλυμμα και ανοίξτε την είσοδο αναρρόφησης του ακροφυσίου και του σωλήνα.

**⚠ ΠΡΟΣΟΧΗ:** Μην επιχειρήσετε να επισκευάσετε τη σκούπα μόνοι σας.

## ΠΡΟΑΙΡΕΤΙΚΑ ΕΞΑΡΤΗΜΑΤΑ

**⚠ ΠΡΟΣΟΧΗ:** Αυτά τα εξαρτήματα ή προσαρτήματα συνιστώνται για χρήση με το εργαλείο Makita που περιγράφηκε στις οδηγίες αυτές. Η χρήση οποιωνδήποτε άλλων εξαρτημάτων ή προσαρτημάτων μπορεί να προκαλέσει κίνδυνο τραυματισμού σε άτομα. Να χρησιμοποιείτε τα εξαρτήματα ή προσαρτήματα μόνο για την χρήση που προορίζονται.

- Εύκαμπτος σωλήνας
- Φίλτρο υψηλής απόδοσης
- Φίλτρο HEPA
- Ακροφύσιο έδρας
- Ακροφύσιο για στενά σημεία
- Τσάντα εργαλείων
- Γνήσια μπαταρία και φορτιστής της Makita

**ΠΑΡΑΤΗΡΗΣΗ:** Μερικά στοιχεία στη λίστα μπορεί να συμπεριλαμβάνονται στη συσκευασία εργαλείου ως στάνταρ εξαρτήματα. Μπορεί να διαφέρουν ανάλογα με τη χώρα.

Εάν χρειάζεστε οποιαδήποτε βοήθεια για περισσότερες πληροφορίες σε σχέση με αυτά τα εξαρτήματα, απευθυνθείτε στο τοπικό σας κέντρο εξυπηρέτησης Makita.

- Ράβδος προέκτασης (Ευθύς σωλήνας)
- Ακροφύσιο
- Ακροφύσιο για μοκέτα
- Βούρτσα ραφιών
- Ακροφύσιο γωνιών
- Στρογγυλή βούρτσα

## TÜRKÇE (Orijinal talimatlar)

### UYARI

- Bu cihaz, gözetim altında bulundurulmaları veya aracın güvenli bir şekilde kullanımına ilişkin eğitim almaları ve aracın kullanımını ile ilgili tehlikeleri anlamış olmaları koşuluyla fiziksel, duyuşsal veya zihinsel engelli ya da tecrübe ve bilgisi olmayan kişiler ve 8 yaş ve üzeri çocuklar tarafından kullanılabilir.
- Çocuklar cihazla oynamamalıdır. Temizlik ve kullanıcı bakım işlemleri, gözetim altında olmadan çocuklar tarafından yapılmamalıdır.
- Bataryanın tip referansı için "TEKNİK ÖZELLİKLER" bölümüne bakın.
- Bataryanın nasıl çıkarılacağı veya takılacağı ile ilgili olarak "Batarya kartuşunun takılması veya çıkartılması" kısmına bakın.
- Batarya kartuşunu bertaraf ederken aletten çıkarın ve güvenli bir yerde bertaraf edin. Bataryanın bertaraf edilmesi ile ilgili yerel düzenlemelere uyun.
- Alet uzun süre kullanılmıyacaksa batarya aletten çıkarılmalıdır.
- Batarya kartuşunu kısa devre yapmayın.
- Kullanıcı bakımı sırasındaki uygun önlem bilgileri için "BAKIM" bölümüne bakın.

### TEKNİK ÖZELLİKLER

Model:	CL003G	
Kapasite	250 mL / 400 mL (ülkeye özgülü)	
Sürekli kullanım (BL4025 batarya ile)	1 (Sessiz mod)	Yaklaşık 80 dak
	2 (Normal hız modu)	Yaklaşık 40 dak
	3 (Yüksek hız modu)	Yaklaşık 25 dak
	4 (Maksimum hız modu)	Yaklaşık 16 dak
Toplam uzunluk (boru, emme başlığı ve BL4025 batarya ile)	1.106 mm	
Anma voltajı	D.C. 36 V - 40 V maks.	
Net ağırlık	1,9 - 2,6 kg	

- Sürekli yapılan araştırma ve geliştirmelerden dolayı, burada belirtilen özellikler önceden bildirilmeksizin değiştirilebilir.
- Özellikler ülkeden ülkeye değişebilir.
- Ağırlık, batarya kartuşu/kartuşları hariç aksesuarları içermez. Cihazın ve batarya kartuşunun/kartuşlarının en hafif ve en ağır birleşik ağırlığı tabloda gösterilmiştir.

### Geçerli batarya kartuşu ve şarj aleti

Batarya kartuşu	BL4020* / BL4025* / BL4040* / BL4050F * : Önerilen batarya
Şarj aleti	DC40RA / DC40RB / DC40RC

- Yukarıda listelenen batarya kartuşlarının ve şarj aletlerinin bazıları yaşadığınız bölgeye bağlı olarak mevcut olmayabilir.

**⚠UYARI:** Sadece yukarıda listelenen batarya kartuşlarını ve şarj aletlerini kullanın. Başka batarya kartuşlarının ve şarj aletlerinin kullanılması yaralanma ve/veya yangına neden olabilir.

## Semboller

Ekipmanı için kullanılacak semboller aşağıda gösterilmiştir. Kullanmadan önce anlamlarını anladığınızdan emin olun.



El kitabını okuyun.



Bu ürün için geçerli temsili bir batarya.



Ni-MH  
Li-Ion

Sadece AB ülkeleri için  
Ekipmanda tehlikeli bileşenler bulunduğundan dolayı atık elektrikli ve elektronik ekipmanlar, aküler ve bataryalar çevre ve insan sağlığı üzerinde olumsuz etkiye yol açabilir.  
Elektrikli ve elektronik cihazları veya bataryaları evsel atıklarla birlikte atmayın!  
Atık elektrikli ve elektronik ekipmanlar ile akümülatörler ve bataryalar hakkındaki Avrupa Direktifi ve söz konusu direktifin ulusal yasalara uyarlanması gereğince atık elektrikli ekipmanlar, bataryalar ve akümülatörler ayrı olarak depolanmalı ve çevre koruma hakkındaki mevzuata uygun olarak faaliyet gösteren ayrı bir kentsel atık toplama noktasına teslim edilmelidir.  
Bu husus, ekipmanın üzerine yerleştirilmiş üzerinde çarpı işareti bulunan tekerlekli çöp kovası simgesi ile belirtilmiştir.

## Kullanım amacı

Bu alet kuru tozları toplamak amacıyla kullanılır.

## GÜVENLİK UYARILARI

### Akülü süpürge güvenlik uyarıları

**⚠UYARI: ÖNEMLİ KULLANMADAN ÖNCE tüm güvenlik uyarılarını ve tüm talimatları DİKKATLE OKUYUN.** Uyarılara ve talimatlara uyulmaması elektrik şoku, yangın ve/veya ciddi yaralanmalar ile sonuçlanabilir.

1. Yağmura maruz bırakmayın. Kapalı yerde saklayın.
2. Bir oyuncak gibi kullanılmasına izin vermeyin. Çocuklar tarafından veya onların yakınında kullanılırken yakın ilgi gerekir.
3. Sadece bu kılavuzda belirtilen şekilde kullanın. Sadece imalatçının tavsiye ettiği ek parçaları kullanın.
4. Bozuk batarya ile kullanmayın. Bu aygıt eğer çalışması gerektiği gibi çalışmıyorsa, yere düşürülmüşse, hasar görmüşse, açık havada bırakılmışsa veya suya düşürülmüşse, onu bir servis merkezine iade edin.
5. Cihazı ıslak elle tutmayın.
6. Deliklerin üstüne herhangi bir nesne koymayın. Delikleri tıkalıyken kullanmayın; deliklerden tozları, tiftikleri, kılları ve hava akışını engelleyebilecek her şeyi temizleyin.
7. Saçlarınızı, bol giysilerinizi ve vücudunuzun tüm kısımlarını deliklerden ve hareketli parçalardan uzak tutun.

8. Bataryayı çıkarmadan önce tüm kontrolleri kapatın.
9. Merdivenlerde temizlik yaparken daha dikkatli olun.
10. Benzin gibi çabuk tutuşan veya yanıcı sıvıları toplamak için veya onların bulunabileceği yerlerde bu aleti kullanmayın.
11. Pili şarj etmek için sadece imalatçının verdiği şarj aletini kullanın.
12. Sigaralar, kibritler veya sıcak küller gibi yanmakta veya duman çıkarmakta olan herhangi bir şeyi toplamayın.
13. Toz torbasi ve/veya filtreler takılı olmadan kullanmayın.
14. Bataryayı açık alanda şarj etmeyin.
15. Sadece üretici tarafından belirtilen şarj aleti ile şarj edin. Bir batarya kutusu için uygun olan şarj cihazı başka bir batarya kutusu ile kullanıldığında yangın riski oluşturabilir.
16. Cihazları sadece özel olarak belirtilen batarya kutuları ile kullanın. Başka batarya kutularının kullanımı yaralanma ve yangın riski oluşturabilir.
17. Batarya kutusu kullanılmadığında; iki terminal arasında bağlantı kurulmasına sebep olabilecek ataç, bozuk para, anahtar, çivi, vida gibi metal nesnelere ya da küçük metal objelerden uzak tutun.
18. Kötü koşullarda bataryadan sıvı sızabilir; bu sıvıya temas etmeyin. Kaza sonucu temas ederseniz suyla durulayın.
19. Hasar görmüş ya da üzerinde değişiklik yapılmış batarya kutusu veya cihazı kullanmayın. Hasar görmüş ya da üzerinde değişiklik yapılmış bataryalar yangın, patlama ya da yaralanma riski ile sonuçlanan beklenmedik davranışlar sergileyebilir.
20. Batarya kutusunu veya cihazı ateşe ya da aşırı sıcaklıklara maruz bırakmayın. Ateşe ya da 130 °C'nin üzerindeki sıcaklıklara maruz bırakmak patlamaya neden olabilir.
21. Tüm şarj talimatlarına uyun ve batarya kutusu ya da cihazı yönergelerde belirtilen sıcaklık aralığının dışındaki sıcaklıklarda şarj etmeyin. Uygun olmayan bir şekilde ya da belirtilen sıcaklık aralığının dışında şarj etmek bataryaya zarar verebilir ve yangın riskini artırabilir.

## BU TALİMATLARI SAKLAYIN.

## EK GÜVENLİK KURALLARI

Bu aygıt ev kullanımı içindir.

1. Kullanmadan önce bu kullanma kılavuzunu ve şarj aletinin kullanma kılavuzunu dikkatle okuyun.
2. Aşağıdaki maddeleri süpürgeye çekmeyin:
  - Yanan sigaralar gibi kızgın maddeler veya metal kesme/taşlama sonucunda çıkan kıvılcıklar/metal tozları
  - Petrol, tiner, benzin, gazyağı veya boya gibi kolay tutuşan maddeler
  - Nitrogliserin gibi patlayıcı maddeler
  - Alüminyum, çinko, magnezyum, titanyum, fosfor veya selüloit gibi yanabilen maddeler
  - Islak kirler, su, yağ veya benzerleri

- **Ahşap yongalar, metaller, taşlar, camlar, çiviler, iğneler veya jiletler gibi keskin kenarlı sert cisimler**
  - **Çimento veya toner gibi topraklaşacak tozlar**
  - **Metal veya karbon gibi iletken tozlar**
  - **Beton tozu gibi ince parçacıklar**
- Bunları süpürgeye çekmeniz yangına, bedensel ve/veya maddi hasara neden olabilir.
3. **Anormal bir durum fark ederseniz çalışmayı hemen durdurun.**
  4. **Süpürgeyi düşürür veya çarparsanız, kullanmadan önce çatlak veya hasar kontrolü yapın.**
  5. **Ocaklara ve başka ısı kaynaklarına yaklaştırmayın.**
  6. **Giriş deliğini veya havalandırma deliklerini tıkamayın.**

## BU TALİMATLARI SAKLAYIN.

### Batarya kartuşu hakkında önemli güvenlik talimatları

1. **Batarya kartuşunu kullanmadan önce, tüm talimatları ve (1) batarya kartuşu, (2) batarya ve (3) ürün üzerindeki tüm uyarı işaretlerini okuyun.**
2. **Batarya kartuşunu parçalarına ayırmayın veya kurcalamayın.** Yangın, aşırı ısı veya patlamaya neden olabilir.
3. **Çalışma süresi aşırı derecede kısalmışsa kullanmayı derhal bırakın.** Aşırı ısınma, yanma riski hatta patlamaya neden olabilir.
4. **Gözünüze elektrolit kaçarsa, gözlerinizi temiz suyla durulayın ve hemen tıbbi yardım alın.** Görme kaybına yol açabilir.
5. **Batarya kartuşuna kısa devre yaptırmayın:**
  - (1) **Terminallere herhangi bir iletken madde deđdirmeyin.**
  - (2) **Batarya kartuşunu çiviler, madeni paralar, vb. gibi başka metal nesnelere aynı kaba koymaktan kaçının.**
  - (3) **Batarya kartuşunu yağmura ya da suya maruz bırakmayın.**

**Kısa devre, büyük bir akım akışına, aşırı ısınmaya, olası yanıklara hatta bataryanın bozulmasına yol açabilir.**

6. **Aleti ve batarya kartuşunu sıcaklığın 50 °C ya da daha yükseğe ulaştığı yerlerde saklamayın ve kullanmayın.**
7. **Aşırı derecede hasar görmüş ya da tamamen kullanılamaz durumda olsa bile batarya kartuşunu yakmayın.** Batarya kartuşu ateşe atılırsa patlayabilir.
8. **Batarya kartuşunu çivilemeyin, kesmeyin, ezmeyin, fırlatmayın, düşürmeyin ya da batarya kartuşuna sert bir nesne ile vurmeyin.** Bu eylemler yangın, aşırı ısı veya patlamaya neden olabilir.
9. **Hasarlı bataryayı kullanmayın.**
10. **Aletin içerdığı lityum-iyon bataryalar Tehlikeli Eşyalar Yönetmeliğinin gereksinimlerine tabidir.** Ticari nakliye işlemleri için, örneğin üçüncü taraflar, nakliye acenteleri tarafından yapılan nakliyelerde, paketleme ve etiketleme gereksinimlerine uyulmalıdır.

Nakliyesi yapılacak ürünün hazırlanması için, tehlikeli maddeler konusunda uzman bir kişiye danışın. Lütfen muhtemelen daha ayrıntılı olan ulusal yönetmeliklere de uyun. Açık kontakları bantlayın ya da maskeleyin ve bataryayı paketin içinde hareket etmeyecek şekilde paketleyin.

11. **Batarya kartuşunu bertaraf ederken aletten çıkarın ve güvenli bir yerde bertaraf edin.** Bataryanın bertaraf edilmesi ile ilgili yerel düzenlemelere uyunuz.
12. **Bataryaları sadece Makita tarafından belirtilen ürünlerle kullanın.** Bataryaların uyumsuz ürünlere takılması; yangın, aşırı ısınma, patlama ya da elektrolit sızıntısına neden olabilir.
13. **Alet uzun süre kullanılmayacaksa batarya aletten çıkarılmalıdır.**
14. **Kullanma sırasında ve sonrasında batarya kartuşu ısınarak yanıklara veya düşük sıcaklık yanıklarına yol açabilir.** Sıcak batarya kartuşları ile işlem yaparken dikkat edin.
15. **Yanıklara neden olabilecek kadar sıcak olabileceğinden kullandıktan hemen sonra aletin terminaline dokunmayın.**
16. **Batarya kartuşunun terminallerine, deliklerine ve kanallarına micir, toz veya toprak girmesine izin vermeyin.** Aletin veya batarya kartuşunun ısınmasına, alev almasına, patlamasına ve arızalanmasına neden olarak yanıklara veya yaralanmaya yol açabilir.
17. **Alet yüksek gerilim elektrik güç hatları yakınında kullanımı desteklemediği sürece batarya kartuşunu yüksek gerilim elektrik güç hatlarının yakınında kullanmayın.** Aletin veya batarya kartuşunun arızalanmasına veya bozulmasına neden olabilir.
18. **Bataryayı çocuklardan uzak tutun.**

## BU TALİMATLARI MUHAFAZA EDİNİZ.

**⚠DİKKAT:** Sadece orijinal Makita bataryalarını kullanın. Orijinal olmayan Makita bataryaları ya da üzerine değişiklik yapılmış bataryaların kullanımı bataryanın patlamasına ve sonuç olarak yangın, kişisel yaralanma ve hasara neden olabilir. Ayrıca Makita aleti ve şarj aletinin Makita tarafından sunulan garantisi de geçersiz olur.

## Maksimum batarya ömrü için ipuçları

1. **Batarya kartuşunu tamamen boşalmadan önce şarj edin.** Aletin gücünün zayıflamaya başladığını fark ettiğinizde aleti durdurun ve batarya kartuşunu şarj edin.
2. **Tam dolu bir batarya kartuşunu asla yeniden şarj etmeyin.** Aşırı şarj etme bataryanın hizmet ömrünü kısaltır.
3. **Batarya kartuşunu 10 °C - 40 °C oda sıcaklığında şarj edin.** Sıcak bir batarya kartuşunu şarj etmeden önce soğumasını bekleyin.
4. **Batarya kartuşunu kullanılmıyorken aletten veya şarj aletinden çıkarın.**
5. **Uzun bir süre (altı aydan daha fazla) kullanmadığınız durumlarda batarya kartuşunu şarj edin.**

# İŞLEVSEL NİTELİKLER

**⚠️ DİKKAT:** Alet üzerinde ayarlama veya işleyiş kontrolü yapmadan önce aletin kapalı ve batarya kartuşunun ayrılmış olduğundan daima emin olun.

**⚠️ DİKKAT:** Bataryayı takarken parmak(lar)ınızı şekilde gösterildiği gibi süpürge ve batarya arasına kısırmamaya dikkat edin. Parmak(lar)ın kısırılması yaralanmaya neden olabilir.

► Şek.1

## Batarya kartuşunun takılması ve çıkarılması

**⚠️ DİKKAT:** Batarya kartuşunu takmadan ya da çıkarmadan önce aleti daima kapatın.

**⚠️ DİKKAT:** Batarya kartuşunu takarken veya çıkarırken aleti ve batarya kartuşunu sıkıca tutun. Aletin ve batarya kartuşunun sıkıca tutulmaması bunların düşürülmesine sebep olabilir ve alet ve batarya kartuşunun zarar görmesine ya da ciddi yaralanmasına yol açabilir.

► Şek.2: 1. Kırmızı gösterge 2. Düğme 3. Batarya kartuşu

Batarya kartuşunu çıkarmak için, kartuşun ön tarafındaki düğmeyi kaydırarak kartuşu aletten çıkarın.

Batarya kartuşunu takmak için, batarya kartuşu üzerindeki dili yuvanın oluğu ile hizalayın ve kartuşu yerine oturtun. Kartuşu, küçük bir tık sesi ile yerine sabitlenene kadar sonuna kadar itin. Şekilde gösterildiği gibi kırmızı göstergeyi görebiliyorsanız tam olarak kilitlememiş demektir.

**⚠️ DİKKAT:** Batarya kartuşunu daima kırmızı gösterge görünmeyecek şekilde tam olarak takın. Yerine tam oturmazsa, aletten yanlışlıkla düşebilir, sizin ya da çevrenizdeki kişilerin yaralanmasına neden olabilir.

**⚠️ DİKKAT:** Batarya kartuşunu zorlayarak takmayın. Kartuş kolay bir şekilde kaymıyorsa doğru yerleştirilmemiş demektir.

## Batarya koruma sistemi

Bu alet bir alet/batarya koruma sistemi ile donatılmıştır. Bu sistem motora giden gücü otomatik olarak keserek uzun alet ve batarya ömrü sağlar. Alet veya batarya için aşağıdaki durumlardan biri söz konusu olduğunda aletin işleyişi otomatik olarak durur.

### Aşırı yüklenme:

Alet/batarya, anormal derecede yüksek akım çekmesine neden olacak şekilde çalıştırılır. Bu durumda, aleti kapatın ve aletin aşırı yüklenmesine neden olan uygulamayı durdurun. Daha sonra aleti yeniden başlaması için çalıştırın. Alet başlamazsa alet/batarya aşırı ısınmıştır. Bu durumda, yeniden çalıştırmadan önce aletin/bataryanın soğumasını bekleyin.

### Düşük batarya voltajı:

Kalan batarya kapasitesi çok düşüktür ve alet çalışmaz. Bu durum söz konusuysa, bataryayı çıkarıp şarj edin.

### Diğer nedenlere karşı korumalar:

Koruma sistemi, alete zarar verebilecek diğer nedenler için de tasarlanmıştır ve aletin otomatik olarak durmasını sağlar. Alet çalışırken geçici duraklama veya durma yaparsa nedenleri ortadan kaldırmak için aşağıdaki tüm adımları uygulayın.















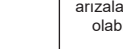
1. Aleti kapatın ve ardından tekrar açarak yeniden çalıştırın.
2. Bataryaları şarj edin veya şarjlı bataryalarla değiştirin.
3. Aletin ve bataryaların soğumasını bekleyin.

Koruma sistemi eski haline getirilerek ilerleme kaydedilemezse yerel Makita Servis Merkezimize başvurun.

## Kalan batarya kapasitesinin gösterilmesi

Kalan batarya kapasitesini göstermesi için batarya kartuşu üzerindeki kontrol düğmesine basın. Gösterge lambaları birkaç saniye yanar.

► Şek.3: 1. Gösterge lambaları 2. Kontrol düğmesi

Gösterge lambaları			Kalan kapasite
 Yanıyor	 Kapalı	 Yanıp sönüyor	
			%75 ila %100
			%50 ila %75
			%25 ila %50
			%0 ila %25
			Bataryayı şarj edin.
			Batarya arızalanmış olabilir.

**NOT:** Kullanım koşullarına ve ortam sıcaklığına bağlı olarak, gösterilen değer gerçek kapasiteden biraz farklılık gösterebilir.





**NOT:** İlk (en soldaki) gösterge lambası, batarya koruma sistemi çalıştığında yanıp söner.

## Anahtar işlemi

- **Şek.4:** 1. Emiş gücü değiştirme düğmesi 2. Açma/Kapatma düğmesi

Süpürgeyi çalıştırmak için Açma/Kapatma düğmesine basmanız yeterlidir. Kapatmak için, Açma/Kapatma düğmesine tekrar basın.

Süpürgeyi emiş gücünü, emiş gücü değiştirme düğmesine basarak dört adımda değiştirebilirsiniz. Bu düğmeye her basıldığında Sessiz/Normal/Yüksek/Maksimum modu bir döngü halinde tekrarlanır.

Seviye	Gösterge	Mod
1		Sessiz mod
2		Normal hız modu
3		Yüksek hız modu
4		Maksimum hız modu

**NOT:** Emiş gücünü, süpürgeyi açmadan önce değiştirebilirsiniz.

**NOT:** Süpürge son çalışmadaki aynı emiş gücü ile çalışmaya başlar.

## Lambaların yakılması

**⚠DİKKAT:** Işığa bakmayın ya da ışık kaynağını doğrudan görmeyin.

Lambayı açmak için emiş gücü değiştirme düğmesine basın. Lamba, yaklaşık 10 saniye içinde söner. Süpürge çalışırken, lamba yanar. Çalışma durdurulduktan yaklaşık 10 saniye sonra lamba söner.

**NOT:** Kalan batarya kapasitesi düştüğünde, lamba yanıp sönmeye başlar. Lambanın yanıp sönmeye başlama zamanı, çalışma ortamının sıcaklığına ve batarya kartuşunun koşullarına göre değişir.

- **Şek.5:** 1. Emiş gücü değiştirme düğmesi 2. Açma/Kapatma düğmesi 3. Lamba

## PARÇALARIN TANIMI

### Ülkeye özgü

- **Şek.6**

1	250 mL toz kutusu (İsteğe bağlı aksesuar)	2	400 mL toz kutusu (İsteğe bağlı aksesuar)	3	Gözenekli filtre	4	Siklon gövdesi
5	Yüksek performanslı filtre (Gri renkte filtre kasası) (İsteğe bağlı aksesuar)	6	HEPA filtre (Beyaz renkte filtre kasası) (İsteğe bağlı aksesuar)	7	Sünger tabakası	8	Süpürge gövdesi
9	El askısı (Ülkeye özgü)	-	-	-	-	-	-

## MONTAJ

**⚠DİKKAT:** Alet üzerinde herhangi bir iş yapmadan önce aletin kapalı ve batarya kartuşunun ayrılmış olduğundan daima emin olun.

**ÖNEMLİ NOT:** Kullanmadan önce tüm ek parçaların ve bileşenlerin yerlerine düzgün bir şekilde sabitlendiklerinden emin olun.

## Süpürge ek parçalarını takma ve çıkarma

**⚠DİKKAT:** Ek parçaları taktikten sonra sıkıca takılıp takılmadıklarını kontrol edin. Ek parçalar kusurlu takılırsa çıkararak yaralanmaya neden olabilirler.

**⚠DİKKAT:** Ek parçaları çıkarırken elinizi duvara, vb. vurmamaya dikkat edin.

## Kilitleme işlevli ek parça kullanırken

Ek parçayı takmak için tık sesi ile yerine oturana dek süpürgeyi emme ağızına sokun. Ek parçanın kilitlendiğinden emin olun.

- **Şek.7:** 1. Emme ağız 2. Kilitleme işlevli ek parça 3. Kanca

**ÖNEMLİ NOT:** Kilitleme işlevli ek parçayı takarken süpürge üzerindeki serbest bırakma düğmesini ek parça üzerindeki kanca ile mutlaka hizalayın. Hizalanmazlarsa ek parça kilitlenmez ve süpürgeye çıkarılabilir.

Ek parçayı çıkarmak için serbest bırakma düğmesinin kollarına basıp basılı tutarken süpürgeye çekip çıkarın.

- **Şek.8:** 1. Serbest bırakma düğmesi 2. Serbest bırakma düğmesinin kolu 3. Kilitleme işlevli ek parça 4. Emme ağız

## Kilitleme işlevsiz ek parça kullanırken

**ÖNEMLİ NOT:** Kilitleme işlevsiz ek parçayı takmak için şekilde gösterildiği gibi çevirerek süpürge- nin emme ağzına sokun. Ek parçayı çıkarmak için şekilde gösterildiği gibi çevirerek süpürge- den kurtarın. Siklon ünitesini gevşetebileceği için ek parçayı şekildeki okun aksi yönünde çevirmekten kaçının.

► Şek.9

## KULLANIM

**⚠DİKKAT:** Süpürgeyi kullanırken yüzünüzü hava deliğine yaklaştırmayın. Gözlere yabancı maddeler girerse yaralanmaya neden olabilir.

**ÖNEMLİ NOT:** Süpürgeyi yatay veya yukarı bakar konumda kullanmaktan kaçınınız. Aksi takdirde gözenekli filtrenin tıkanmasına neden olabilir.

**ÖNEMLİ NOT:** Süpürgeyi her zaman filtreler takılı olarak kullanın. Süpürge- nin filtreler olmadan kullanılması motor arızasına neden olabilir.

**ÖNEMLİ NOT:** Toz biriktiğinde siklon ünitesin- deki toz kutusunu boşaltın. Kullanmaya devam etmek zayıf emiş gücüne yol açar.

Siklon ünitesi, süpürgeye giren toz miktarını azaltmaya yardımcı olarak basit ve kolay toz boşaltma ile emiş performansını artırır.

## Temizlik (Emme)

### Emme başlığı

**Sadece 250 mL toz kutusu ile**

Masaları, tezgahları, mobilyaları, vb. temizlemek için emme başlığını takın. Emme başlığı kolayca takılır.

► **Şek.10:** 1. Emme başlığı

### Emme başlığı + Uzatma çubuğu (Düz boru)

Uzatma çubuğu emme başlığı ile süpürge arasına takılır. Bu tertibat, zemini ayakta durarak temizleme kolaylığı sağlar.

► **Şek.11:** 1. Süpürge gövdesi 2. Uzatma çubuğu 3. Emme başlığı

### Köşe emme başlığı

Köşeleri ve bir otomobilin veya mobilyaların kuytu yerlerini temizlemek için köşe emme başlığını takın.

► **Şek.12:** 1. Köşe emme başlığı 2. Süpürge gövdesi

Köşe emme başlığını başlık yuvasında saklayabilirsiniz.

► **Şek.13:** 1. Başlık yuvası 2. Köşe emme başlığı

**⚠DİKKAT:** Parmaklarınızı, köşe emme başlığı ile başlık yuvasının arasına kısırtılmamaya dikkat edin. Parmağın/parmakların kısırtılması yaralanmaya neden olabilir.

## Köşe emme başlığı + Uzatma çubuğu (Düz boru)

Süpürge- nin kendisinin içine giremediği sıkı yarıklarda veya ulaşılması zor yüksek yerlerde bu tertibatı kullanın.

► **Şek.14:** 1. Köşe emme başlığı 2. Uzatma çubuğu 3. Süpürge gövdesi

## Emme başlığı olmadan temizleme

**Sadece 250 mL toz kutusu ile**

Tozları emme başlığı olmadan toplayabilirsiniz.

► **Şek.15**

Zeminin tozunu ayakta durarak almada, süpürgeye uzatma çubuğunu (düz boru) takmak rahatlık sağlar.

► **Şek.16:** 1. Uzatma çubuğu

## Tozun boşaltılması

**⚠DİKKAT:** Aşırı dolmadan veya emme kuvveti zayıflamadan önce süpürgeyi boşaltın.

**⚠DİKKAT:** Yeniden birleştirirken toz kutusu ile siklon gövdesinin arasına parmaklarınızı kısırtma- maya dikkat edin.

Toz boşaltma çizgisini geçmeden önce biriken tozu şu şekilde boşaltın.

1. Süpürge- nin başını aşağı doğru yönlendirin, toz kutusunu sıkıca tutun ve ardından toz kutusunun her iki tarafındaki serbest bırakma düğmelerine basıp basılı tutarken siklon gövdesinden çekip ayırın.

► **Şek.17:** 1. Toz boşaltma çizgisi 2. Toz kutusu 3. Serbest bırakma düğmeleri 4. Gözenekli filtre

2. Toz kutusunu boşaltın ve gözenekli filtreye yapı- şan tozu temizleyin.

► **Şek.18**

3. Toz kutusunu siklon gövdesinin üzerine geri yer- leştirerek tıklama sesi ile yerine sabitleyin.

► **Şek.19:** 1. Toz kutusu 2. Serbest bırakma düğmeleri 3. Siklon gövdesi

**⚠DİKKAT:** Toz kutusundan boşaltılırken toz uçabilir. Tozun gözlerinize kaçmamasına dikkat edin.

**ÖNEMLİ NOT:** Toz kutusu kirlendiğinde çıkarıp su ile yıkayın. Yeniden takıp kullanmadan önce toz kutusunu iyice kurutun.

**ÖNEMLİ NOT:** Kullanmadan önce tüm ek parça- ların ve bileşenlerin yerlerine düzgün bir şekilde sabitlendiklerinden emin olun.

**ÖNEMLİ NOT:** Tozu boşalttıktan ve gözenekli filtreyi temizledikten sonra bile emiş gücü topar- lanmazsa siklon gövdesinin içinde toz birikip birikmediğini veya tıkanma olup olmadığını kontrol edin.

## BAKIM

**⚠ DİKKAT:** Muayene ya da bakım yapmadan önce aletin kapalı ve batarya kartuşunun çıkartılmış olduğundan daima emin olun.

**ÖNEMLİ NOT:** Benzin, tiner, alkol ve benzeri maddeleri kesinlikle kullanmayın. Renk değişimi, deformasyon veya çatlaklar oluşabilir.

Aleti EMNİYETLİ ve ÇALIŞMAYA HAZIR durumda tutmak için onarımlar, başka her türlü bakım ve ayarlamalar daima Makita yedek parçaları kullanılarak Makita Yetkili Servis Merkezleri veya Fabrika Servis Merkezleri tarafından yapılmalıdır.

### Kullanım sonrası

**⚠ DİKKAT:** Süpürgeyi hiçbir destek olmadan duvara dayamak süpürgeyi düşmesine neden olarak yaralanmaya veya süpürgeyi hasar görmesine yol açabilir.

► Şek.20

### Düzenli bakım

**ÖNEMLİ NOT:** Tıkanıklıklarında siklon ünitesinin içindeki filtreleri temizleyin. Tıkalı durumda kullanmaya devam etmek ısınma veya motor arızasına neden olabilir.

**ÖNEMLİ NOT:** Süpürge ve filtrele yapışan tozu, toz alıcı sprey ile temizlemeyin. Gövdenin içine toz getirerek arızaya neden olur.

Normal çalışma koşullarına geri getirmek için düzenli bakım gerekir.

### Süpürge gövdesi

Sabunlu suyla ıslatılmış bir bezle süpürgeyi dış kısmını (süpürge gövdesini) silin ve emiş açıklıklarını temizleyin.

► Şek.21

### Siklon ünitesi ve filtreler

**ÖNEMLİ NOT:** Toz kutusunda biriken tozun miktarına bakılmaksızın emiş performansı daha az etkili hale geldiğinde siklon ünitesinin içinin ve filtrelerin tozunu alın ve temizleyin.

**ÖNEMLİ NOT:** Filtreleri yıkadıktan sonra kullanmadan önce tamamen kurutun. Yeterince kurumuş filtreler emmenin kötüleşmesine ve motorun hizmet ömrünün kısalmasına neden olabilir.

**ÖNEMLİ NOT:** Filtreleri ve sünger tabakasını temizledikten sonra kullanmadan önce bunları mutlaka yeniden takın. Süpürgeyi, filtreler ve sünger tabakası olmadan kullanırsanız motor gövdesinin içine toz girerek arızaya neden olur.

### Siklon ünitesi

1. Siklon ünitesinin iç yüzeyine ve filtreye yapışan tozu gidermek için siklon ünitesine elinizle birkaç kez hafifçe vurun.

► Şek.22: 1. Siklon ünitesi

2. Emme ağzı aşağı doğru bakar durumda, kilitlen kurtarmak için siklon ünitesinin üzerindeki işareti süpürge gövdesinin üzerindeki işaretle hizalayarak siklon ünitesini şekilde gösterildiği gibi çevirin. Ardından siklon ünitesini süpürge gövdesinden yavaşça ve düz bir şekilde çıkarın.

► Şek.23: 1. Siklon ünitesi 2. Emme ağzı 3. İşaretler 4. Filtre

**NOT:** Siklon ünitesi çıkarılırken toz uçuşabilir. Siklon ünitesinin altına bir çöp torbası yerleştirilmesi önerilir.

3. Siklon ünitesinin içinin ve filtrenin tozunu alın.

► Şek.24

4. Siklon ünitesinin üzerindeki işareti süpürge gövdesinin üzerindeki işaretle hizalayarak siklon ünitesinin süpürge gövdesinin üzerine geri yerleştirin. Ardından yerine sabitlenene kadar siklon ünitesini şekilde gösterildiği gibi çevirin.

► Şek.25: 1. Siklon ünitesi 2. Süpürge gövdesi 3. İşaretler

### Yüksek performanslı filtre

#### İsteğe bağlı aksesuar

1. Siklon ünitesini süpürge gövdesinden çıkarın.

2. Yüksek performanslı filtrenin montaj ucunu tutun ve süpürge gövdesinden çekip çıkarın.

► Şek.26: 1. Yüksek performanslı filtre 2. Süpürge gövdesi

3. Yüksek performanslı filtrenin tozunu elinizle vuruarak silkeleyin.

► Şek.27

4. Yüksek performanslı filtreyi, toz ve kirlle tıkanmış durumda sabunlu suda yıkayın. Kullanmadan önce gölgede tamamen kurutun.

► Şek.28

**NOT:** Kurutmak için asarken yüksek performanslı filtrenin montaj ucunu (kauçuk conta) tutturmadan kaçırmayın.

5. Yüksek performanslı filtrenin montaj ucunu tutun ve süpürge gövdesinin içine bastırarak takın.

► Şek.29: 1. Yüksek performanslı filtre 2. Süpürge gövdesi

### HEPA filtre

#### İsteğe bağlı aksesuar

**ÖNEMLİ NOT:** HEPA filtreyi fırça veya kürek gibi sert nesnelere ovmayın veya çizmeyin.

1. Siklon ünitesini süpürge gövdesinden çıkarın.

2. HEPA filtrenin montaj ucunu (yüksek performanslı ön filtre ile örtülü) tutun ve süpürge gövdesinden çekip çıkarın.

► Şek.30: 1. HEPA filtre (yüksek performanslı ön filtre ile örtülü) 2. Süpürge gövdesi



3. Yüksek performanslı ön filtreyi elle çevirerek HEPA filtreden ayırın.

► **Şek.31:** 1. Yüksek performanslı ön filtre 2. HEPA filtre

4. Yüksek performanslı ön filtrenin ve HEPA filtrenin tozunu elinizle vurarak silkeleyin.

► **Şek.32**

5. Yüksek performanslı ön filtreyi ve HEPA filtreyi sabunlu suda yıkayın. Durulayın ve kullanmadan önce gölgede tamamen kurutun.

► **Şek.33**

**NOT:** Kurutmak için asarken HEPA filtrenin montaj ucunu (kauçuk conta) tuturmaktan kaçının.

6. Yüksek performanslı ön filtreyi HEPA filtrenin üzerine takın.

► **Şek.34:** 1. Yüksek performanslı ön filtre 2. HEPA filtre

7. HEPA filtrenin montaj ucunu (yüksek performanslı ön filtre ile örtülü) tutun ve süpürge gövdesinin içine bastırarak takın.

► **Şek.35:** 1. HEPA filtre (yüksek performanslı ön filtre ile örtülü) 2. Süpürge gövdesi

## Sünger tabakası

1. Siklon ünitesini süpürge gövdesinden çıkarın.

2. Filtrenin montaj ucunu tutun ve süpürge gövdesinden çekip çıkarın.

► **Şek.36:** 1. Filtre 2. Süpürge gövdesi

3. Sünger tabakasını emiş açıklığından çekip çıkarın.

► **Şek.37:** 1. Sünger tabakası 2. Emiş açıklığı

4. Sünger tabakasının tozunu elinizle vurarak silkeleyin.

► **Şek.38**

5. Sünger tabakasını, toz ve kirlle tıkanıldığında sabunlu suda yıkayın. Kullanmadan önce gölgede tamamen kurutun.

► **Şek.39**

6. Sünger tabakasını asıl konumuna geri yerleştirin. Sünger tabakasının sol ve sağ kenarlarının durdurucularla sabitlendiğinden ve sünger tabakası ile emiş açıklığı arasında boşluk olmadığından emin olun.

► **Şek.40:** 1. Sünger tabakası 2. Durdurucu 3. Emiş açıklığı

7. Filtrenin montaj ucunu tutun ve süpürge gövdesinin içine bastırarak geri takın.

► **Şek.41:** 1. Filtre 2. Süpürge gövdesi

## Duruma bağlı bakım

**ÖNEMLİ NOT:** Tıkanıklarında siklon ünitesinin içindeki gözenekli filtreyi temizleyin. Tıkalı durumda kullanmaya devam etmek ısınma veya motor arızasına neden olabilir.

Aletinizin performansına göre derinlemesine ve nokta temizlik yapılması gerekir.

## Gözenekli filtre

Toz kutusu kirlendiğinde veya gözenekli filtre tıkanıldığında bunları çıkarıp su ile yıkayın. (Çıkarma prosedürü için "Tozun boşaltılması" kısmına bakın.)

1. Toz kutusunu sıkıca tutun ve toz kutusunun her iki tarafındaki serbest bırakma düğmelerine basıp basılı tutarken siklon gövdesinden çekip ayırın.

► **Şek.42:** 1. Toz kutusu 2. Siklon gövdesi 3. Serbest bırakma düğmeleri

2. Kilitten kurtarmak için gözenekli filtreyi şekilde gösterildiği gibi çevirin. Ardından siklon gövdesinden çıkarın.

► **Şek.43:** 1. Gözenekli filtre

3. Gözenekli filtreyi üç parçaya ayırın: ön filtre, boru şeklinde sünger filtre ve gözenekli boru.

i Gözenekli borunun üst kısmındaki kılavuz durdurucuları karşıklı bastırın.

ii Kılavuz durdurucuları ön filtrenin üst kısmındaki kılavuz deliğinden aşağı doğru geçirin.

iii Ön filtreyi boru şeklindeki sünger filtre ve gözenekli boru boyunca çekin.

iv Boru şeklindeki sünger filtreyi gözenekli borudan çıkarın.

► **Şek.44:** 1. Ön filtre 2. Boru şeklindeki sünger filtre 3. Gözenekli boru 4. Kılavuz durdurucuları 5. Kılavuz deliği

4. Filtreleri ve gözenekli borunun tozunu elinizle vurarak silkeleyin.

► **Şek.45**

5. Toz ve kirlle tıkanıklarında filtreleri ve gözenekli boruyu sabunlu suda yıkayın. Kullanmadan önce gölgede tamamen kurutun.

► **Şek.46**

6. Gözenekli filtreyi geri takın.

i Boru şeklindeki sünger filtreyi ön filtrenin içine yerleştirin.

ii Gözenekli borunun üst kısmındaki kılavuz durdurucuları ön filtrenin üst kısmındaki kılavuz deliğinden geçirerek gözenekli boruyu boru şeklindeki sünger filtrenin ve ön filtrenin içine yerleştirin.

iii Gözenekli boruyu boru şeklindeki sünger filtre ve ön filtreye, bir tık sesi ile yerine sabitlenene dek geçirin.

► **Şek.47:** 1. Ön filtre 2. Boru şeklindeki sünger filtre 3. Gözenekli boru 4. Kılavuz durdurucuları 5. Kılavuz deliği

7. Gözenekli filtre üzerindeki kancaları siklon gövdesinin emme çıkışındaki girintilerle hizalayarak gözenekli filtreyi siklon gövdesine geri takın. Gözenekli filtreyi, kancalar bir tık sesi ile kilitlenene kadar şekilde gösterildiği gibi çevirin. Gözenekli filtrenin sıkıca takıldığından emin olun.

► **Şek.48:** 1. Gözenekli filtre 2. Siklon gövdesi 3. Kanca 4. Girinti

## Siklon ünitesindeki hava kanalları

Giren yabancı maddeler siklon ünitesindeki hava kanallarını kapatabilir ve hava akışlarına yüklemeye yapabilir. Emiş performansı kayda değer ölçüde etkileniyorsa hava yolundaki tüm engelleri kaldırın.

1. Siklon ünitesini üç parçaya ayırın: toz kutusu, gözenekli filtre ve siklon gövdesi.

► **Şek.49:** 1. Toz kutusu 2. Gözenekli filtre 3. Siklon gövdesi 4. Süpürge gövdesi

2. Giriş borusunun üzerindeki kılavuz durdurucusunu, siklon gövdesinin üzerindeki kilitleme deliği üzerinden sivri uçlu el aletini kullanarak bastırıp bu şekilde tutun. Ardından giriş borusunu siklon gövdesinden çıkarın.

► **Şek.50:** 1. Giriş borusu 2. Kılavuz durdurucusu 3. Siklon gövdesi 4. Kilitleme deliği

3. Hava kanallarında bulunan tüm maddeleri temizleyin.

Yabancı maddelerin giren hava kanalının etrafına takılması olasıdır.

► **Şek.51:** 1. Emme ağı 2. Giren hava kanalı

4. Giriş borusunu iyice sabitlenene dek yerine geri yerleştirin.

► **Şek.52:** 1. Giriş borusu 2. Siklon gövdesi 3. O halka conta 4. Kanatlı vana

**ÖNEMLİ NOT:** Yeniden takmadan önce O halka contanın ve kanatlı vananın yerlerine sıkıca sabitlendiklerinden emin olun. O halka conta ve kanatlı vana yerlerine takılmadan siklon ünitesi çalıştırılırsa emiş performansı etkilenebilir.

5. Siklon ünitesini yeniden birleştirin ve süpürge gövdesine takın.

## Sorun giderme

Onarım yaptırmaya çalışmadan önce aşağıdaki hususları kontrol edin.

Belirti	Muayene edilecek bölge	Giderme yöntemi
Zayıf emiş gücü	Toz kutusu veya siklon ünitesinin içi tozlu mu dolu?	Toz kutusunu veya siklon ünitesinin içini boşaltın.
	Filtreler tıkalı mı?	Yüksek performanslı filtre/HEPA filtre/sünger tabakası/gözenekli filtrenin tozunu alın veya yıkayın.
	Giren hava kanallarını kapatan bir şey var mı?	Hava açıklıklarındaki ve kanallardaki tüm toz ve maddeleri temizleyin.
	Batarya kartuşunun şarjı bitmiş mi?	Batarya kartuşunu şarj edin.
Çalışmıyor	Batarya kartuşunun şarjı bitmiş mi?	Batarya kartuşunu şarj edin.
Gürültü ve titreşim	Filtreler tıkalı mı?	Yüksek performanslı filtre/HEPA filtre/sünger tabakası/gözenekli filtrenin tozunu alın veya yıkayın.
	Açıklıkları veya delikleri tıkayan bir şey var mı?	Emme başlıkları, borular ve hava açıklıklarındaki tüm toz ve cisimleri temizleyin.
	Emme başlığı veya borunun emme ağı kapalı mı?	Emme başlığı ve borunun emme ağzını açın.

**⚠ DİKKAT:** Süpürgeyi kendiniz onarmaya çalışmayın.

## İSTEĞE BAĞLI AKSESUARLAR

**⚠ DİKKAT:** Bu aksesuarlar ve ek parçalar bu el kitabında belirtilen Makita aletiniz ile kullanılmak için tavsiye edilmektedir. Herhangi başka bir aksesuar ya da ek parça kullanılması insanlar için bir yaralanma riski getirebilir. Aksesuarları ya da ek parçaları yalnızca belirtilmiş olan kullanım amaçlarına uygun olarak kullanın.

Bu aksesuarlarla ilgili daha fazla bilgiye ihtiyaç duyarsanız bulunduğunuz yerdeki yetkili Makita servisine başvurun.

- Uzatma çubuğu (Düz boru)
- Emme başlığı
- Halı ağız
- Raf fırçası
- Köşe emme başlığı

- Yuvarlak fırça
- Esnek hortum
- Yüksek performanslı filtre
- HEPA filtre
- Koltuk emme başlığı
- Dar alan emme başlığı
- Alet çantası
- Orijinal Makita batarya ve şarj aleti

**NOT:** Listedeki parçaların bazıları alet paketi içerisinde standart aksesuar olarak dahil edilmiş olabilir. Bunlar ülkeden ülkeye farklılık gösterebilir.



**Makita Europe N.V.** Jan-Baptist Vinkstraat 2,  
3070 Kortenberg, Belgium

**Makita Corporation** 3-11-8, Sumiyoshi-cho,  
Anjo, Aichi 446-8502 Japan

[www.makita.com](http://www.makita.com)

885966A990  
EN, FR, DE, IT, NL,  
ES, PT, DA, EL, TR  
20211228