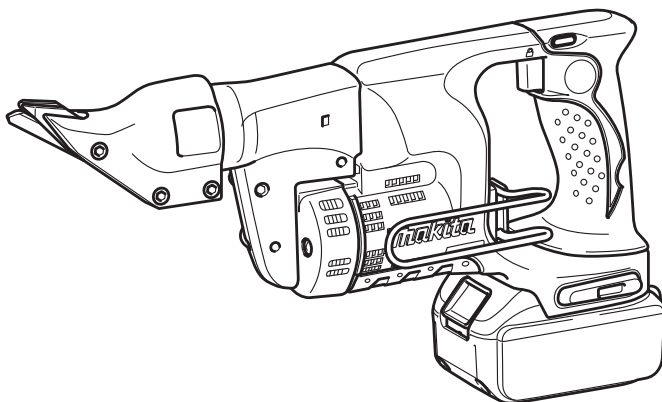
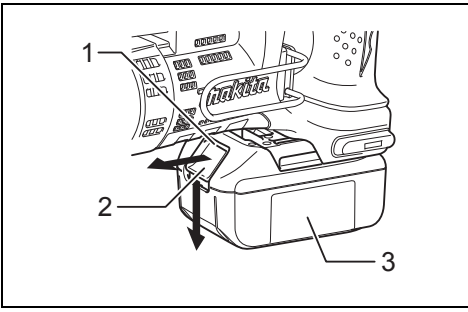




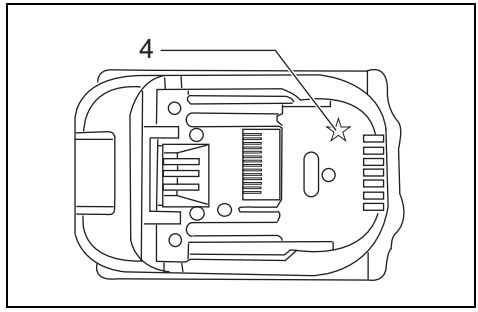
GB	Cordless Metal Shear	Instruction Manual
F	Cisaille sans Fil	Manuel d'instructions
D	Akku-Blechscher	Betriebsanleitung
I	Cesoie per lamiera a batteria	Istruzioni per l'uso
NL	Accuplaatschaar	Gebruiksaanwijzing
E	Cizalla Inalámbrica para Metal	Manual de instrucciones
P	Tesoura Faca a Bateria	Manual de instruções
DK	Akku-metalsaks	Brugsanvisning
GR	Ψαλίδι μπαταρίας για μέταλλα	Οδηγίες χρήσεως

DJS130

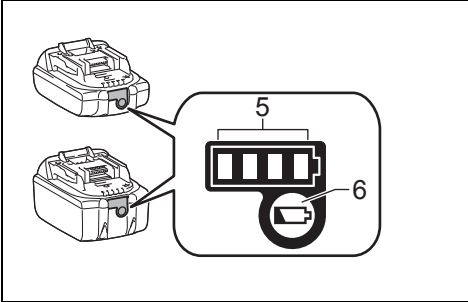




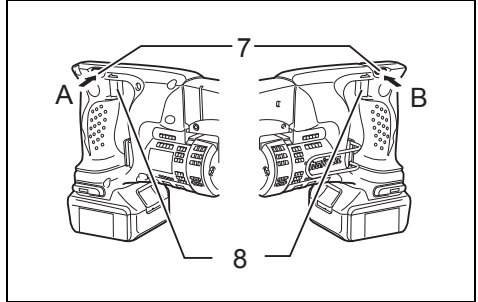
1 012158



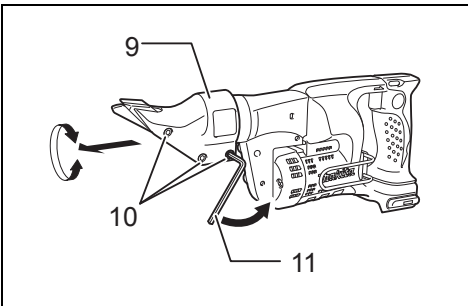
2 012128



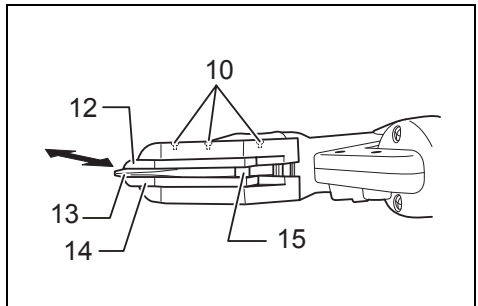
3 015659



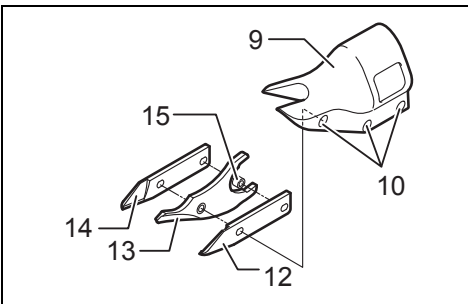
4 009014



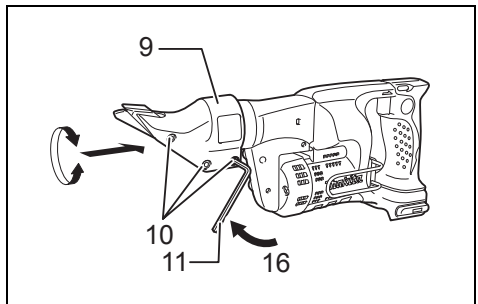
5 009017



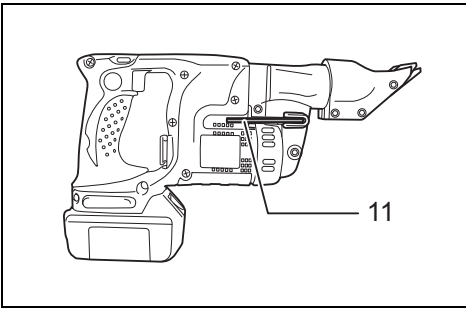
6 009019



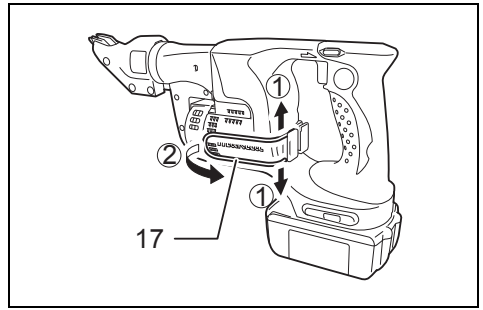
7 004690



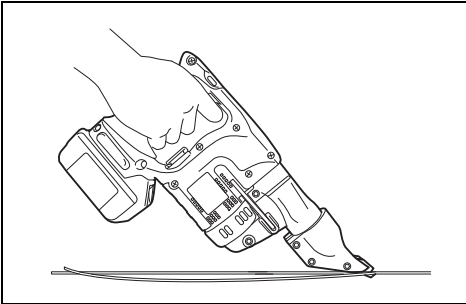
8 009016



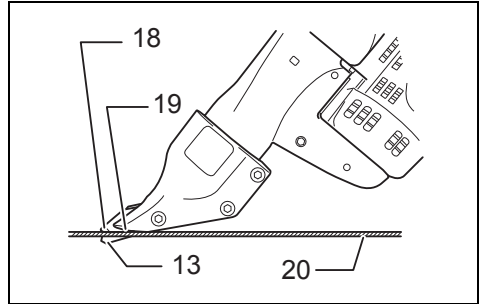
9 009021



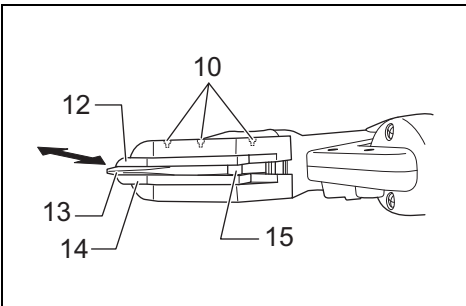
10 009015



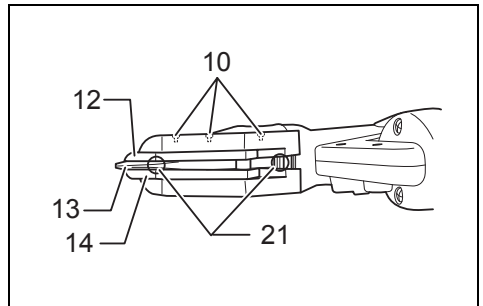
11 009020



12 009018



13 009019



14 009022

Explanation of general view

1 Red indicator	9 Cutting head	17 Hook
2 Button	10 Screws	18 Side blade
3 Battery cartridge	11 Hex wrench	19 Side blade surface
4 Star marking	12 Side blade L	20 Workpiece
5 Indicator lamps	13 Center blade	21 Lubricate
6 Check button	14 Side blade R	
7 Trigger-lock button	15 Sleeve	
8 Switch trigger	16 Tighten	

SPECIFICATIONS

	Model	DJS130
Max. cutting capacities	Steel up to 400 N/mm ²	1.3 mm (18 ga.)
	Stainless Steel up to 600 N/mm ²	1.0 mm (20 ga.)
Strokes per minute (min ⁻¹)		3,000
Overall length		350 mm
Net weight		2.3 – 2.6 kg
Rated voltage		D.C. 18 V

- Due to our continuing program of research and development, the specifications herein are subject to change without notice.
- Specifications may differ from country to country.
- The weight may differ depending on the attachment(s), including the battery cartridge. The lightest and heaviest combination, according to EPTA-Procedure 01/2014, are shown in the table.

Applicable battery cartridge and charger

Battery cartridge	BL1815N / BL1820 / BL1820B / BL1830 / BL1830B / BL1840 / BL1840B / BL1850 / BL1850B / BL1860B
Charger	DC18RC / DC18RD / DC18RE / DC18SD / DC18SE / DC18SF

- Some of the battery cartridges and chargers listed above may not be available depending on your region of residence.

⚠ WARNING: Only use the battery cartridges and chargers listed above. Use of any other battery cartridges and chargers may cause injury and/or fire.

Intended use

The tool is intended for cutting sheet steel and stainless sheet steel.

ENE037-1

GEA010-2

General Power Tool Safety Warnings

⚠ WARNING Read all safety warnings, instructions, illustrations and specifications provided with this power tool. Failure to follow all instructions listed below may result in electric shock, fire and/or serious injury.

Save all warnings and instructions for future reference.

The term "power tool" in the warnings refers to your mains-operated (corded) power tool or battery-operated (cordless) power tool.

GEB067-1

4. Edges and chips of the workpiece are sharp. Wear gloves. It is also recommended that you put on thickly bottomed shoes to prevent injury.
5. Do not put the tool on the chips of the workpiece. Otherwise it can cause damage and trouble on the tool.
6. Do not leave the tool running. Operate the tool only when hand-held.
7. Always be sure you have a firm footing. Be sure no one is below when using the tool in high locations.
8. Do not touch the blade or the workpiece immediately after operation; they may be extremely hot and could burn your skin.
9. Avoid cutting electrical wires. It can cause serious accident by electric shock.

SAVE THESE INSTRUCTIONS.

⚠ WARNING: DO NOT let comfort or familiarity with product (gained from repeated use) replace strict adherence to safety rules for the subject product. MISUSE or failure to follow the safety rules stated in this instruction manual may cause serious personal injury.

CORDLESS SHEAR SAFETY WARNINGS

1. Hold the tool firmly.
2. Secure the workpiece firmly.
3. Keep hands away from moving parts.

IMPORTANT SAFETY INSTRUCTIONS FOR BATTERY CARTRIDGE

1. Before using battery cartridge, read all instructions and cautionary markings on (1) battery charger, (2) battery, and (3) product using battery.
2. Do not disassemble battery cartridge.
3. If operating time has become excessively shorter, stop operating immediately. It may result in a risk of overheating, possible burns and even an explosion.
4. If electrolyte gets into your eyes, rinse them out with clear water and seek medical attention right away. It may result in loss of your eyesight.
5. Do not short the battery cartridge:
 - (1) Do not touch the terminals with any conductive material.
 - (2) Avoid storing battery cartridge in a container with other metal objects such as nails, coins, etc.
 - (3) Do not expose battery cartridge to water or rain.

A battery short can cause a large current flow, overheating, possible burns and even a breakdown.

6. Do not store the tool and battery cartridge in locations where the temperature may reach or exceed 50 °C (122 °F).
7. Do not incinerate the battery cartridge even if it is severely damaged or is completely worn out. The battery cartridge can explode in a fire.
8. Be careful not to drop or strike battery.
9. Do not use a damaged battery.
10. The contained lithium-ion batteries are subject to the Dangerous Goods Legislation requirements.

For commercial transports e.g. by third parties, forwarding agents, special requirement on packaging and labeling must be observed.

For preparation of the item being shipped, consulting an expert for hazardous material is required. Please also observe possibly more detailed national regulations.

Tape or mask off open contacts and pack up the battery in such a manner that it cannot move around in the packaging.

11. When disposing the battery cartridge, remove it from the tool and dispose of it in a safe place. Follow your local regulations relating to disposal of battery.
12. Use the batteries only with the products specified by Makita. Installing the batteries to non-compliant products may result in a fire, excessive heat, explosion, or leak of electrolyte.
13. If the tool is not used for a long period of time, the battery must be removed from the tool.

SAVE THESE INSTRUCTIONS.

CAUTION:

- Only use genuine Makita batteries. Use of non-genuine Makita batteries, or batteries that have been altered, may result in the battery bursting causing fires, personal injury and damage. It will also void the Makita warranty for the Makita tool and charger.

Tips for maintaining maximum battery life

1. Charge the battery cartridge before completely discharged. Always stop tool operation and charge the battery cartridge when you notice less tool power.
2. Never recharge a fully charged battery cartridge. Overcharging shortens the battery service life.
3. Charge the battery cartridge with room temperature at 10 °C – 40 °C (50 °F – 104 °F). Let a hot battery cartridge cool down before charging it.
4. Charge the battery cartridge if you do not use it for a long period (more than six months).

FUNCTIONAL DESCRIPTION

CAUTION:

- Always be sure that the tool is switched off and the battery cartridge is removed before adjusting or checking function on the tool.

Installing or removing battery cartridge (Fig. 1)

- Always switch off the tool before installing or removing of the battery cartridge.
- To remove the battery cartridge, slide it from the tool while sliding the button on the front of the cartridge.
- To install the battery cartridge, align the tongue on the battery cartridge with the groove in the housing and slip it into place. Always insert it all the way until it locks in place with a little click. If you can see the red indicator on the upper side of the button, it is not locked completely. Install it fully until the red indicator cannot be seen. If not, it may accidentally fall out of the tool, causing injury to you or someone around you.
- Do not use force when installing the battery cartridge. If the cartridge does not slide in easily, it is not being inserted correctly.

Battery protection system (Lithium-ion battery with star marking) (Fig. 2)

Lithium-ion batteries with a star marking are equipped with a protection system. This system automatically cuts off power to the tool to extend battery life.











The tool will automatically stop during operation if the tool and/or battery are placed under one of the following conditions:

- Overloaded:
 - The tool is operated in a manner that causes it to draw an abnormally high current.
 - In this situation, release the trigger switch on the tool and stop the application that caused the tool to become overloaded. Then pull the trigger switch again to restart.
 - If the tool does not start, the battery is overheated. In this situation, let the battery cool before pulling the trigger switch again.
- Low battery voltage:
 - The remaining battery capacity is too low and the tool will not operate. In this situation, remove and recharge the battery.

Indicating the remaining battery capacity (Fig. 3)

Only for battery cartridges with the indicator

Press the check button on the battery cartridge to indicate the remaining battery capacity. The indicator lamps light up for few seconds.

Indicator lamps			Remaining Capacity
Lighted	Off	Blinking	
			
			75% to 100%
			50% to 75%
			25% to 50%
			0% to 25%
			Charge the battery.
			The battery may have malfunctioned.
			

015658

NOTE:

- Depending on the conditions of use and the ambient temperature, the indication may differ slightly from the actual capacity.

Switch action (Fig. 4)

CAUTION:

- Before inserting the battery cartridge into the tool, always check to see that the switch trigger actuates properly and returns to the "OFF" position when released.
- When not operating the tool, depress the trigger-lock button from B side to lock the switch trigger in the "OFF" position.

To prevent the switch trigger from accidentally pulled, the trigger-lock button is provided.

To start the tool, depress the trigger-lock button from A side and pull the switch trigger.

Release the switch trigger to stop. After use, always press in the trigger-lock button from B side.

ASSEMBLY

CAUTION:

- Always be sure that the tool is switched off and the battery cartridge is removed before adjusting or checking function on the tool.

Replacement of blades

CAUTION:

- Never remove the blades with bare hands. Wear gloves. Otherwise it can cause injury.

Removing cutting head (Fig. 5)

Use the hex wrench to loosen the three screws which secure the cutting head. Pull the cutting head straight out to remove it with turning it left and right alternately.

Removing shear blades (Fig. 6)

Remove the three screws which hold the cutting head. When removing the second screw, be careful not to fall the sleeve. Then the blades can be removed easily. When removing the blades, hold the blades and the sleeve so that they do not fall from the cutting head.

Installing shear blades (Fig. 7)

Install the sleeve and tighten the three screws after inserting the center blade, side blade L & R into the cutting head. In this process, the screw heads should be protruding 2 – 3 mm from the cutting head surface.

If you will tighten the screws excessively, the cutting head cannot be installed to the tool.

Installing cutting head (Fig. 8)

CAUTION:

- Secure the cutting head firmly. Otherwise it can rotate during operation and can cause serious injury.

Insert the cutting head into the tool with turning it left and right alternately. Then tighten the three screws with the hex wrench.

Hex wrench storage (Fig. 9)

When not in use, store the hex wrench as shown in the figure to keep it from being lost.

Carry hook (Fig. 10)

The carry hook is convenient for temporarily hooking the tool. It can be installed on either side of the tool.

When removing the carry hook, widen it by pressing its right ends ON BOTH SIDES in the directions of arrow (1) and raise it in the direction of the arrow (2).

OPERATION

CAUTION:

- Edges and chips of the workpiece are sharp. Wear gloves. Otherwise it can cause injury.

Secure the workpiece firmly. Move the tool forward keeping the side blades flush with the workpiece surface. (Fig. 11 & 12)

Adjusting shear blade (Fig. 13)

Adjust the side blade L so that the curl of waste material does not contact the cutting head or the workpiece. Use the hex wrench to loosen the three screws which hold the cutting head. Move the side blade L back and forth to adjust it. Then tighten the three screws with the hex wrench.

MAINTENANCE

CAUTION:

- Always be sure that the tool is switched off and the battery cartridge is removed before attempting to perform inspection or maintenance.
- Never use gasoline, benzine, thinner, alcohol or the like. Discoloration, deformation or cracks may result.

To maintain product SAFETY and RELIABILITY, repairs, carbon brush inspection and replacement, any other maintenance or adjustment should be performed by Makita Authorized or Factory Service Centers, always using Makita replacement parts.

Lubrication (Fig. 14)

Before operation, lubricate the contact point of the center blade and the side blades R/L. And, also lubricate the point of the center blade near the cutting head. To keep good cutting performance, use lubricant from time to time during operation.

OPTIONAL ACCESSORIES

CAUTION:

- These accessories or attachments are recommended for use with your Makita tool specified in this manual. The use of any other accessories or attachments might present a risk of injury to persons. Only use accessory or attachment for its stated purpose.

If you need any assistance for more details regarding these accessories, ask your local Makita Service Center.

- Center blade
- Side blade R
- Side blade L
- Hex wrench
- Various type of Makita genuine batteries and chargers
- Shear head 16 set

NOTE:

- Some items in the list may be included in the tool package as standard accessories. They may differ from country to country.

ENG905-1

Noise

The typical A-weighted noise level determined according to EN62841-2-8:

Sound pressure level (L_{pA}): 74 dB (A)
Uncertainty (K): 3 dB (A)

The noise level under working may exceed 80 dB (A).

ENG907-1

NOTE:

- The declared noise emission value(s) has been measured in accordance with a standard test method and may be used for comparing one tool with another.
- The declared noise emission value(s) may also be used in a preliminary assessment of exposure.

WARNING:

- **Wear ear protection.**
- **The noise emission during actual use of the power tool can differ from the declared value(s) depending on the ways in which the tool is used especially what kind of workpiece is processed.**
- **Be sure to identify safety measures to protect the operator that are based on an estimation of exposure in the actual conditions of use (taking account of all parts of the operating cycle such as the times when the tool is switched off and when it is running idle in addition to the trigger time).**

ENG900-1

Vibration

The vibration total value (tri-axial vector sum) determined according to EN62841-2-8:

Work mode: cutting sheet metal
Vibration emission ($a_{h, CM}$): 5.5 m/s²
Uncertainty (K): 1.5 m/s²

NOTE:

- The declared vibration total value(s) has been measured in accordance with a standard test method and may be used for comparing one tool with another.
- The declared vibration total value(s) may also be used in a preliminary assessment of exposure.

WARNING:

- **The vibration emission during actual use of the power tool can differ from the declared value(s) depending on the ways in which the tool is used especially what kind of workpiece is processed.**
- **Be sure to identify safety measures to protect the operator that are based on an estimation of exposure in the actual conditions of use (taking account of all parts of the operating cycle such as the times when the tool is switched off and when it is running idle in addition to the trigger time).**

EC DECLARATION OF CONFORMITY

For European countries only

The EC declaration of conformity is included as Annex A to this instruction manual.

Descriptif

1	Témoïn rouge	8	Gâchette	16	Serrer
2	Bouton	9	Tête de coupe	17	Crochet
3	Batterie	10	Vis	18	Lame latérale
4	Symbole d'étoile	11	Clé hexagonale	19	Surface de lame latérale
5	Voyants lumineux	12	Lame latérale G	20	Pièce à travailler
6	Bouton de vérification	13	Lame centrale	21	Lubrifier
7	Bouton de verrouillage de la gâchette	14	Lame latérale D		
		15	Manchon		

SPÉCIFICATIONS

Modèle		DJS130
Capacités de coupe max.	Acier jusqu'à 400 N/mm ²	1,3 mm (18 ga.)
	Acier inoxydable jusqu'à 600 N/mm ²	1,0 mm (20 ga.)
Frappes par minute (min ⁻¹)		3 000
Longueur totale		350 mm
Poids net		2,3 – 2,6 kg
Tension nominale		18 V CC

- Étant donné l'évolution constante de notre programme de recherche et de développement, les spécifications contenues dans ce manuel sont sujettes à modification sans préavis.
- Les spécifications peuvent varier suivant les pays.
- Le poids peut être différent selon les accessoires, notamment la batterie. Les associations la plus légère et la plus lourde, conformément à la procédure EPTA-01/2014, sont indiquées dans le tableau.

Batterie et chargeur applicables

Batterie	BL1815N / BL1820 / BL1820B / BL1830 / BL1830B / BL1840 / BL1840B / BL1850 / BL1850B / BL1860B
Chargeur	DC18RC / DC18RD / DC18RE / DC18SD / DC18SE / DC18SF

- Certains chargeurs et batteries répertoriés ci-dessus peuvent ne pas être disponibles selon la région où vous résidez.

⚠ AVERTISSEMENT : Utilisez uniquement les batteries et chargeurs répertoriés ci-dessus. L'utilisation de tout autre type de batterie et chargeur peut provoquer des blessures et/ou un incendie.

ENE037-1

GEB067-1

Utilisations

Cet outil est conçu pour couper dans l'acier et l'acier inoxydable en feuilles.

GEA010-2

Consignes de sécurité générales pour outils électriques

⚠ AVERTISSEMENT Veuillez lire les consignes de sécurité, instructions, illustrations et spécifications qui accompagnent cet outil électrique. Le non-respect de toutes les instructions indiquées ci-dessous peut entraîner une électrocution, un incendie et/ou de graves blessures.

Conservez toutes les mises en garde et instructions pour référence ultérieure.

Le terme « outil électrique » dans les avertissements fait référence à l'outil électrique alimenté par le secteur (avec cordon d'alimentation) ou à l'outil électrique fonctionnant sur batterie (sans cordon d'alimentation).

CONSIGNES DE SÉCURITÉ POUR LA CISAILLE SANS FIL

1. **Tenez l'outil fermement.**
2. **Fixez solidement la pièce à travailler.**
3. **Gardez les mains éloignées des pièces en mouvement.**
4. **Les bords et les fragments de la pièce à travailler sont tranchants. Portez des gants. Il est également recommandé de porter des bottes à semelle épaisse pour prévenir les blessures.**
5. **Ne placez pas l'outil sur les fragments de la pièce à travailler. Ceci pourrait endommager l'outil.**
6. **Ne laissez pas l'outil tourner. Ne le faites fonctionner que lorsque vous le tenez.**
7. **Assurez-vous toujours d'être en position stable. Lorsque vous utilisez l'outil dans un endroit élevé, assurez-vous qu'il n'y a personne sous vous.**
8. **Ne touchez ni la lame ni la pièce à travailler immédiatement après l'utilisation ; elles peuvent être extrêmement chaudes et brûler votre peau.**
9. **Prenez garde de couper des fils électriques. Cela peut entraîner un accident grave par choc électrique.**

CONSERVEZ CES INSTRUCTIONS.

AVERTISSEMENT :

NE vous laissez PAS tromper (au fil d'une utilisation répétée) par un sentiment d'aisance et de familiarité avec le produit, en négligeant le respect rigoureux des consignes de sécurité qui accompagnent le produit en question. LA MAUVAISE UTILISATION de l'outil ou l'ignorance des consignes de sécurité du présent manuel d'instructions peuvent entraîner une grave blessure.

ENC007-13

CONSIGNES DE SÉCURITÉ IMPORTANTES POUR LA BATTERIE

1. Avant d'utiliser la batterie, lisez toutes les instructions et précautions relatives (1) au chargeur de batterie, (2) à la batterie, et (3) au produit utilisant la batterie.
2. Ne démontez pas la batterie.
3. Cessez immédiatement l'utilisation si le temps de fonctionnement devient excessivement court. Il y a risque de surchauffe, de brûlures, voire d'explosion.
4. Si l'électrolyte pénètre dans vos yeux, rincez-les à l'eau claire et consultez immédiatement un médecin. Il y a risque de perte de la vue.
5. Ne court-circuitez pas la batterie :
 - (1) Ne touchez les bornes avec aucun matériau conducteur.
 - (2) Évitez de ranger la batterie dans un conteneur avec d'autres objets métalliques, par exemple des clous, des pièces de monnaie, etc.
 - (3) N'exposez pas la batterie à l'eau ou à la pluie. Un court-circuit de la batterie peut provoquer une intensité de courant élevée, une surchauffe, parfois des brûlures et même une panne.
6. Ne rangez pas l'outil et la batterie dans un endroit où la température risque d'atteindre ou de dépasser 50 °C.
7. Ne jetez pas la batterie au feu même si elle est sérieusement endommagée ou complètement épuisée. La batterie peut exploser au contact du feu.
8. Évitez de laisser tomber ou de cogner la batterie.
9. N'utilisez pas la batterie si elle est endommagée.
10. Les batteries au lithium-ion contenues sont soumises aux exigences de la législation sur les marchandises dangereuses.

Lors du transport commercial par des tierces parties ou des transitaires par exemple, des exigences spécifiques en matière d'étiquetage et d'emballage doivent être respectées.

Pour la préparation de l'article expédié, il est nécessaire de consulter un expert en matériau dangereux. Veuillez également respecter les réglementations nationales susceptibles d'être plus détaillées.

Recouvrez les contacts exposés avec du ruban adhésif ou du ruban de masquage et emballez la batterie de telle sorte qu'elle ne puisse pas bouger dans l'emballage.
11. Lors de la mise au rebut de la batterie, retirez-la de l'outil et jetez-la en lieu sûr. Suivez les réglementations locales en matière de mise au rebut des batteries.

12. Utilisez les batteries uniquement avec les produits spécifiés par Makita. L'insertion de batteries dans des produits non conformes peut provoquer un incendie, une chaleur excessive, une explosion ou une fuite de l'électrolyte.
13. Lorsque vous n'utilisez pas l'outil pendant une période prolongée, la batterie doit être retirée de l'outil.

CONSERVEZ CES INSTRUCTIONS.

ATTENTION :

- N'utilisez que des batteries Makita d'origine. L'utilisation de batteries de marque autre que Makita ou de batteries modifiées peut provoquer l'explosion des batteries, ce qui présente un risque d'incendie, de dommages matériels et corporels. Cela annulera également la garantie Makita pour l'outil et le chargeur Makita.

Conseils pour assurer la durée de vie optimale de la batterie

1. Chargez la batterie avant qu'elle ne soit complètement déchargée. Arrêtez toujours l'outil et rechargez la batterie quand vous remarquez que la puissance de l'outil diminue.
2. Ne rechargez jamais une batterie complètement chargée. La surcharge réduit la durée de service de la batterie.
3. Chargez la batterie à une température ambiante comprise entre 10 °C et 40 °C. Avant de charger une batterie chaude, laissez-la refroidir.
4. Rechargez la batterie si elle est restée inutilisée pendant une période prolongée (plus de six mois).

DESCRIPTION DU FONCTIONNEMENT

ATTENTION :

- Assurez-vous toujours que l'outil est hors tension et que sa batterie est retirée avant de l'ajuster ou de vérifier son fonctionnement.

Installation ou retrait de la batterie (Fig. 1)

- Mettez toujours l'outil hors tension avant d'installer ou de retirer la batterie.
- Pour retirer la batterie, faites-la glisser hors de l'outil tout en faisant glisser le bouton à l'avant de la batterie.
- Pour installer la batterie, alignez la languette de la batterie avec la rainure située dans le carter, puis faites-la glisser en place. Insérez-la toujours à fond, jusqu'à ce qu'un léger déclic se fasse entendre. Si vous pouvez voir le témoin rouge du côté supérieur du bouton, la batterie n'est pas complètement verrouillée. Insérez-la entièrement, jusqu'à ce que le témoin rouge ne soit plus visible. Sinon, elle pourrait tomber accidentellement de l'outil, au risque de vous blesser ou de blesser quelqu'un se trouvant près de vous.
- N'appliquez pas une force excessive lors de l'installation de la batterie. Si la batterie ne glisse pas aisément, c'est qu'elle n'est pas insérée correctement.

Circuit de protection de la batterie (batterie au lithium-ion avec symbole d'étoile) (Fig. 2)

Les batteries au lithium-ion qui portent un symbole d'étoile sont dotées d'un circuit de protection. Ce circuit coupe automatiquement le courant de l'outil pour prolonger la durée de service de la batterie.

L'outil s'arrêtera automatiquement en cours d'utilisation si l'outil et/ou la batterie se trouve(nt) dans l'une ou l'autre des situations suivantes :

- **Surcharge :**

L'outil est utilisé de manière telle qu'il consomme un courant anormalement élevé. Le cas échéant, libérez la gâchette sur l'outil et cessez le travail qui cause la surcharge de l'outil. Ensuite, tirez de nouveau sur la gâchette pour redémarrer.

Si l'outil ne démarre pas, cela signifie que la batterie a surchauffé. Le cas échéant, laissez la batterie refroidir avant de tirer de nouveau sur la gâchette.









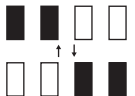
- **Faible tension de la batterie :**

La charge restante de la batterie est trop basse et l'outil ne fonctionne pas. Le cas échéant, retirez et rechargez la batterie.

Affichage de la charge restante de la batterie (Fig. 3)

Uniquement pour les batteries avec témoin

Appuyez sur le bouton de vérification situé sur la batterie pour afficher la charge restante de la batterie. Les voyants lumineux s'allument pendant quelques secondes.

Voyants lumineux			Charge restante
 allumé	 éteint	 clignotant	
			75% à 100%
			50% à 75%
			25% à 50%
			0% à 25%
			Chargez la batterie.
			La batterie est probablement défectueuse.

015658

NOTE :

- En fonction des conditions d'utilisation et de la température ambiante, la charge restante affichée peut différer légèrement de la valeur réelle.

Interrupteur (Fig. 4)

ATTENTION :

- Avant d'insérer la batterie dans l'outil, assurez-vous toujours que la gâchette fonctionne bien et retourne en position d'arrêt lorsque vous la libérez.

- Lorsque vous avez terminé d'utiliser l'outil, enfoncez le bouton de verrouillage de la gâchette par le côté B pour verrouiller la gâchette en position d'arrêt.

Le bouton de verrouillage de la gâchette prévient l'activation accidentelle de la gâchette.

Pour faire démarrer l'outil, enfoncez le bouton de verrouillage de la gâchette par le côté A, puis appuyez sur la gâchette.

Pour l'arrêter, libérez la gâchette. Après l'utilisation, enfoncez toujours le bouton de verrouillage de la gâchette par le côté B.

ASSEMBLAGE

ATTENTION :

- Assurez-vous toujours que l'outil est hors tension et que sa batterie est retirée avant de l'ajuster ou de vérifier son fonctionnement.

Remplacement des lames

ATTENTION :

- Ne retirez jamais les lames à mains nues. Portez des gants. Sinon, il y a risque de blessure.

Retrait de la tête de coupe (Fig. 5)

Utilisez la clé hexagonale pour desserrer les trois vis qui retiennent la tête de coupe. Tirez sur la tête de coupe pour la retirer en la faisant tourner alternativement vers la gauche et la droite.

Retrait des lames de cisaille (Fig. 6)

Retirez les trois vis qui retiennent la tête de coupe. Lorsque vous retirez la deuxième vis, prenez garde de laisser tomber le manchon. Les lames peuvent ensuite être facilement retirées. Lors du retrait des lames, tenir les lames et le manchon afin qu'ils ne tombent pas de la tête de coupe.

Installation des lames de cisaille (Fig. 7)

Installez le manchon et serrez les trois vis après avoir inséré la lame centrale et les lames latérales G et D dans la tête de coupe. Les têtes de vis doivent dépasser de 2 à 3 mm de la surface de la tête de coupe.

Si vous serrez trop les vis, la tête de coupe ne pourra pas être installée sur l'outil.

Installation de la tête de coupe (Fig. 8)

ATTENTION :

- Fixez solidement la tête de coupe. Sinon, elle risque de tourner en cours d'utilisation et de causer une blessure grave.

Insérez la tête de coupe dans l'outil en la faisant tourner alternativement à gauche et à droite. Serrez ensuite les trois vis à l'aide de la clé hexagonale.

Rangement de la clé hexagonale (Fig. 9)

Après l'utilisation, rangez la clé hexagonale de la façon indiquée sur l'illustration pour éviter de la perdre.

Crochet mobile (Fig. 10)

L'outil est équipé d'un crochet mobile pratique pour l'accrocher temporairement. Il s'installe d'un côté comme de l'autre de l'outil.

Pour retirer le crochet mobile, élargissez-le en appuyant sur ses extrémités de droite DE CHAQUE CÔTÉ dans le sens de la flèche (1) et soulevez-le dans le sens de la flèche (2).

UTILISATION

ATTENTION :

- Les bords et les fragments de la pièce à travailler sont tranchants. Portez des gants. Sinon, il y a risque de blessure.

Fixez solidement la pièce à travailler. Faites avancer l'outil en maintenant les lames latérales au ras de la surface de la pièce à travailler. (Fig. 11 et 12)

Réglage des lames de cisaille (Fig. 13)

Régalez la lame latérale G de sorte que les bords des déchets n'entrent pas en contact avec la tête de coupe ou la pièce à travailler. Utilisez la clé hexagonale pour desserrer les trois vis qui retiennent la tête de coupe. Déplacez la lame latérale G vers l'arrière et l'avant pour la régler. Puis serrez les trois vis à l'aide de la clé hexagonale.

ENTRETIEN

ATTENTION :

- Assurez-vous toujours que l'outil est hors tension et que la batterie est retirée avant d'y effectuer tout travail d'inspection ou d'entretien.
- N'utilisez jamais d'essence, benzine, diluant, alcool ou autre produit similaire. Cela risquerait de provoquer la décoloration, la déformation ou la fissuration de l'outil.

Pour maintenir la SÉCURITÉ et la FIABILITÉ du produit, les réparations, l'inspection et le remplacement des balais en carbone, ainsi que tout autre travail d'entretien ou de réglage doivent être effectués par un centre d'entretien Makita agréé, avec des pièces de rechange Makita.

Lubrification (Fig. 14)

Avant l'utilisation, lubrifiez les points de contact entre la lame centrale et les lames latérales D/G. Et lubrifiez aussi le point de la lame centrale près de la tête de coupe. Afin de maintenir de bonnes performances de coupe, utilisez un lubrifiant de temps à autre en cours d'opération.

ACCESSOIRES EN OPTION

ATTENTION :

- Ces accessoires ou pièces complémentaires sont recommandés pour l'utilisation avec l'outil Makita spécifié dans ce manuel. L'utilisation de tout autre accessoire ou pièce peut comporter un risque de blessure. N'utilisez les accessoires ou pièces qu'aux fins mentionnées dans le présent manuel.

Si vous désirez obtenir plus de détails concernant ces accessoires, veuillez contacter le centre de service après-vente Makita le plus près.

- Lame centrale
- Lame latérale D
- Lame latérale G
- Clé hexagonale
- Les divers types de batteries et chargeurs Makita authentiques
- Jeu de tête à cisaille 16

NOTE :

- Il se peut que certains éléments de la liste soient compris dans l'emballage de l'outil en tant qu'accessoires standard. Ils peuvent varier d'un pays à l'autre.

Bruit

Niveau de bruit pondéré A typique, déterminé selon EN62841-2-8 :

Niveau de pression sonore (L_{pA}) : 74 dB (A)

Incertitude (K) : 3 dB (A)

Le niveau de bruit en fonctionnement peut dépasser 80 dB (A).

ENG907-1

NOTE :

- La ou les valeurs d'émission de bruit déclarées ont été mesurées conformément à la méthode de test standard et peuvent être utilisées pour comparer les outils entre eux.
- La ou les valeurs d'émission de bruit déclarées peuvent aussi être utilisées pour l'évaluation préliminaire de l'exposition.

⚠ AVERTISSEMENT :

- Portez un serre-tête antibruit.
- L'émission de bruit lors de l'usage réel de l'outil électrique peut être différente de la ou des valeurs déclarées, suivant la façon dont l'outil est utilisé, particulièrement selon le type de pièce usinée.
- Les mesures de sécurité à prendre pour protéger l'utilisateur doivent être basées sur une estimation de l'exposition dans des conditions réelles d'utilisation (en tenant compte de toutes les composantes du cycle d'utilisation, comme par exemple le moment de sa mise hors tension, lorsqu'il tourne à vide et le moment de son déclenchement).

ENG900-1

Vibrations

Valeur totale de vibrations (somme de vecteur triaxial) déterminée selon EN62841-2-8 :

Mode de travail : coupe de la tôle

Émission de vibrations ($a_{h, CM}$) : 5,5 m/s²

Incertitude (K) : 1,5 m/s²

ENG901-2

NOTE :

- La ou les valeurs de vibration totales déclarées ont été mesurées conformément à la méthode de test standard et peuvent être utilisées pour comparer les outils entre eux.
- La ou les valeurs de vibration totales déclarées peuvent aussi être utilisées pour l'évaluation préliminaire de l'exposition.

⚠ AVERTISSEMENT :

- L'émission de vibrations lors de l'usage réel de l'outil électrique peut être différente de la ou des valeurs déclarées, suivant la façon dont l'outil est utilisé, particulièrement selon le type de pièce usinée.
- Les mesures de sécurité à prendre pour protéger l'utilisateur doivent être basées sur une estimation de l'exposition dans des conditions réelles d'utilisation (en tenant compte de toutes les composantes du cycle d'utilisation, comme par exemple le moment de sa mise hors tension, lorsqu'il tourne à vide et le moment de son déclenchement).

DÉCLARATION DE CONFORMITÉ CE

Pour les pays d'Europe uniquement

La déclaration de conformité CE est fournie en Annexe A à ce mode d'emploi.

Übersicht

- | | | |
|-----------------------|-------------------|-----------------------|
| 1 Rote Anzeige | 9 Messerkopf | 17 Haken |
| 2 Knopf | 10 Schrauben | 18 Seitenmesser |
| 3 Akku | 11 Inbusschlüssel | 19 Seitenmesserfläche |
| 4 Sternsymbol | 12 Seitenmesser L | 20 Werkstück |
| 5 Anzeigelampen | 13 Mittelmesser | 21 Schmieren |
| 6 Prüftaste | 14 Seitenmesser R | |
| 7 Einschaltsperrknopf | 15 Hülse | |
| 8 Ein-Aus-Schalter | 16 Anziehen | |

TECHNISCHE DATEN

Modell		DJS130
Maximale Schnittleistung	Stahl bis zu 400 N/mm ²	1,3 mm (18 ga.)
	Edelstahl bis zu 600 N/mm ²	1,0 mm (20 ga.)
Hubzahl pro Minute (min ⁻¹)		3 000
Gesamtlänge		350 mm
Nettogewicht		2,3 – 2,6 kg
Nennspannung		DC 18 V

- Wir behalten uns vor, Änderungen im Zuge der Entwicklung und des technischen Fortschritts ohne vorherige Ankündigung vorzunehmen.
- Die technischen Daten können von Land zu Land abweichen.
- Das Gewicht kann je nach dem Aufsatz bzw. den Aufsätzen, einschließlich des Akkus, unterschiedlich sein. Die leichteste und die schwerste Kombination nach dem EPTA-Verfahren 01/2014 sind in der Tabelle angegeben.

Zutreffende Akkus und Ladegeräte

Akku	BL1815N / BL1820 / BL1820B / BL1830 / BL1830B / BL1840 / BL1840B / BL1850 / BL1850B / BL1860B
Ladegerät	DC18RC / DC18RD / DC18RE / DC18SD / DC18SE / DC18SF

- Einige der oben aufgeführten Akkus und Ladegeräte sind je nach Ihrem Wohngebiet eventuell nicht erhältlich.

⚠️ WARNUNG: Verwenden Sie nur die oben aufgeführten Akkus und Ladegeräte. Bei Verwendung anderer Akkus und Ladegeräte besteht Verletzungs- und/oder Brandgefahr.

Vorgesehene Verwendung

Diese Maschine ist zum Schneiden von Stahlblech und Edelstahlblech vorgesehen.

ENE037-1

GEA010-2

Allgemeine Sicherheitswarnungen für Elektrowerkzeuge

⚠️ WARNUNG Lesen Sie alle mit diesem Elektrowerkzeug gelieferten Sicherheitswarnungen, Anweisungen, Abbildungen und technischen Daten durch. Eine Missachtung der unten aufgeführten Anweisungen kann zu einem elektrischen Schlag, Brand und/oder schweren Verletzungen führen.

Bewahren Sie alle Warnungen und Anweisungen für spätere Bezugnahme auf.

Der Ausdruck „Elektrowerkzeug“ in den Warnhinweisen bezieht sich auf Ihr mit Netzstrom (mit Kabel) oder Akku (ohne Kabel) betriebenes Elektrowerkzeug.

GEB067-1

SICHERHEITSWARNUNGEN FÜR AKKU-BLECHSCHERE

1. Halten Sie die Maschine sicher fest.
2. Sichern Sie das Werkstück einwandfrei.

3. Halten Sie die Hände von rotierenden Teilen fern.
4. Die Kanten und Späne des Werkstücks sind scharf. Tragen Sie Handschuhe. Zur Verhütung von Verletzungen ist es auch empfehlenswert, dick besohlte Schuhe zu tragen.
5. Legen Sie die Maschine nicht auf die Späne des Werkstücks. Anderenfalls kann es zu Beschädigung und Funktionsstörungen der Maschine kommen.
6. Lassen Sie die Maschine nicht unbeaufsichtigt laufen. Benutzen Sie die Maschine nur mit Handhaltung.
7. Achten Sie stets auf sicheren Stand. Vergewissern Sie sich bei Einsatz der Maschine an hochgelegenen Arbeitsplätzen, dass sich keine Personen darunter aufhalten.
8. Vermeiden Sie eine Berührung der Messer oder des Werkstücks unmittelbar nach der Bearbeitung, weil sie dann noch sehr heiß sind und Hautverbrennungen verursachen können.
9. Vermeiden Sie das Durchtrennen von elektrischen Kabeln. Dies kann zu schweren Unfällen durch elektrischen Schlag führen.

BEWAHREN SIE DIESE HINWEISE SORGFÄLTIG AUF.



WARNUNG:

Lassen Sie sich NICHT durch Bequemlichkeit oder Vertrautheit mit dem Produkt (durch wiederholten Gebrauch erworben) von der strikten Einhaltung der Sicherheitsregeln für das vorliegende Produkt abhalten. MISSBRAUCH oder Missachtung der Sicherheitsvorschriften in dieser Anleitung können schwere Verletzungen verursachen.

ENC007-13

WICHTIGE SICHERHEITSANWEISUNGEN FÜR AKKU

1. Lesen Sie vor der Benutzung des Akkus alle Anweisungen und Warnhinweise, die an (1) Ladegerät, (2) Akku und (3) Akkuwerkzeug angebracht sind.
2. Unterlassen Sie ein Zerlegen des Akkus.
3. Falls die Betriebszeit beträchtlich kürzer geworden ist, stellen Sie den Betrieb sofort ein. Andernfalls besteht die Gefahr von Überhitzung, möglichen Verbrennungen und sogar einer Explosion.
4. Falls Elektrolyt in Ihre Augen gelangt, waschen Sie sie mit sauberem Wasser aus, und begeben Sie sich unverzüglich in ärztliche Behandlung. Andernfalls können Sie Ihre Sehkraft verlieren.
5. Der Akku darf nicht kurzgeschlossen werden:

- (1) Die Kontakte dürfen nicht mit leitfähigem Material berührt werden.
- (2) Lagern Sie den Akku nicht in einem Behälter zusammen mit anderen Metallgegenständen, wie z. B. Nägel, Münzen usw.
- (3) Setzen Sie den Akku weder Wasser noch Regen aus.

Ein Kurzschluss des Akkus verursacht starken Stromfluss, der Überhitzung, mögliche Verbrennungen und einen Defekt zur Folge haben kann.

6. Lagern Sie das Werkzeug und den Akku nicht an Orten, an denen die Temperatur 50 °C erreichen oder überschreiten kann.
7. Versuchen Sie niemals, den Akku zu verbrennen, selbst wenn er stark beschädigt oder vollkommen verbraucht ist. Der Akku kann im Feuer explodieren.
8. Achten Sie darauf, dass der Akku nicht fallen gelassen oder Stößen ausgesetzt wird.
9. Benutzen Sie keine beschädigten Akkus.
10. Die enthaltenen Lithium-Ionen-Akkus unterliegen den Anforderungen der Gefahrgut-Gesetzgebung.

Für kommerzielle Transporte, z. B. durch Dritte oder Spediteure, müssen besondere Anforderungen zu Verpackung und Etikettierung beachtet werden.

Zur Vorbereitung des zu transportierenden Artikels ist eine Beratung durch einen Experten für Gefahrgut erforderlich. Bitte beachten Sie möglicherweise ausführlichere nationale Vorschriften.

Überleben oder verdecken Sie offene Kontakte, und verpacken Sie den Akku so, dass er sich in der Verpackung nicht umher bewegen kann.

11. Entfernen Sie den Akku zum Entsorgen vom Werkzeug, und entsorgen Sie ihn an einem sicheren Ort. Befolgen Sie die örtlichen Vorschriften bezüglich der Entsorgung von Akkus.

12. Verwenden Sie die Akkus nur mit den von Makita angegebenen Produkten. Das Einsetzen der Akkus in nicht konforme Produkte kann zu einem Brand, übermäßiger Hitzebildung, einer Explosion oder Auslaufen von Elektrolyt führen.
13. Soll das Werkzeug längere Zeit nicht benutzt werden, muss der Akku vom Werkzeug entfernt werden.

DIESE ANWEISUNGEN AUFBEWAHREN.

VORSICHT:

- Verwenden Sie nur Original-Makita-Akkus. Die Verwendung von Nicht-Original-Makita-Akkus oder von Akkus, die abgeändert worden sind, kann zum Bersten des Akkus und daraus resultierenden Bränden, Personenschäden und Beschädigung führen. Außerdem wird dadurch die Makita-Garantie für das Makita-Werkzeug und -Ladegerät ungültig.

Hinweise zur Aufrechterhaltung der maximalen Akku-Nutzungsdauer

1. Laden Sie den Akku, bevor er vollkommen erschöpft ist. Schalten Sie das Werkzeug stets aus, und laden Sie den Akku, wenn Sie ein Nachlassen der Werkzeugleistung feststellen.
2. Unterlassen Sie erneutes Laden eines voll aufgeladenen Akkus. Überladen führt zu einer Verkürzung der Nutzungsdauer des Akkus.
3. Laden Sie den Akku bei Raumtemperatur zwischen 10 – 40 °C. Lassen Sie einen heißen Akku abkühlen, bevor Sie ihn laden.
4. Der Akku muss geladen werden, wenn er lange Zeit (länger als sechs Monate) nicht benutzt wird.

FUNKTIONSBESCHREIBUNG

VORSICHT:

- Vergewissern Sie sich vor der Durchführung von Einstellungen oder Funktionsprüfungen der Maschine stets, dass die Maschine ausgeschaltet und der Akku abgenommen ist.

Anbringen und Abnehmen des Akkus (Abb. 1)

- Schalten Sie stets die Maschine aus, bevor Sie den Akku anbringen oder abnehmen.
- Ziehen Sie den Akku zum Abnehmen von der Maschine ab, während Sie den Knopf an der Vorderseite des Akkus verschieben.
- Richten Sie zum Anbringen des Akkus dessen Führungsfeder auf die Nut im Gehäuse aus, und schieben Sie den Akku hinein. Schieben Sie den Akku stets vollständig ein, bis er mit einem hörbaren Klicken einrastet. Falls die rote Anzeige an der Oberseite des Knopfes sichtbar ist, ist der Akku nicht vollständig verriegelt. Schieben Sie ihn bis zum Anschlag ein, bis die rote Anzeige nicht mehr sichtbar ist. Andernfalls kann er aus dem Werkzeug herausfallen und Sie oder umstehende Personen verletzen.
- Wenden Sie beim Anbringen des Akkus keine Gewalt an. Falls der Akku nicht reibungslos hineingleitet, ist er nicht richtig ausgerichtet.

Akku-Schutzsystem (Lithium-Ionen-Akku mit Sternsymbol) (Abb. 2)

Lithium-Ionen-Akkus mit Sternsymbol sind mit einem Schutzsystem ausgestattet. Dieses System schaltet die Stromversorgung der Maschine automatisch ab, um die Akku-Lebensdauer zu verlängern.

Die Maschine schaltet sich während des Betriebs automatisch ab, wenn Maschine und/oder Akku einer der folgenden Bedingungen unterliegen:

- Überlastung:

Die Maschine wird auf eine Weise benutzt, die eine ungewöhnlich hohe Stromaufnahme bewirkt.

Lassen Sie in dieser Situation den Elektronikschalter der Maschine los, und brechen Sie die Arbeit ab, die eine Überlastung der Maschine verursacht hat. Betätigen Sie dann den Elektronikschalter erneut, um die Maschine wieder zu starten.

Falls die Maschine nicht startet, ist der Akku überhitzt. Lassen Sie den Akku in dieser Situation abkühlen, bevor Sie den Elektronikschalter erneut betätigen.












- Niedrige Akkuspannung:

Die Akku-Restkapazität ist zu niedrig, und die Maschine funktioniert nicht. Nehmen Sie in dieser Situation den Akku ab, und laden Sie ihn auf.

Anzeigen der Akku-Restkapazität (Abb. 3)

Nur für Akkus mit Anzeige

Drücken Sie die Prüftaste am Akku, um die Akku-Restkapazität anzuzeigen. Die Anzeigelampen leuchten wenige Sekunden lang auf.

Anzeigelampen			Restkapazität
			
Erleuchtet	Aus	Blinkend	
			75% bis 100%
			50% bis 75%
			25% bis 50%
			0% bis 25%
			Den Akku aufladen.
			Möglicherweise liegt eine Funktionsstörung im Akku vor.
			

015658

HINWEIS:

- Abhängig von den Benutzungsbedingungen und der Umgebungstemperatur kann die Anzeige geringfügig von der tatsächlichen Kapazität abweichen.

Schalterfunktion (Abb. 4)

VORSICHT:

- Vergewissern Sie sich vor dem Einsetzen des Akkus in die Maschine stets, dass der Ein-Aus-Schalter ordnungsgemäß funktioniert und beim Loslassen in die AUS-Stellung zurückkehrt.

- Wenn Sie die Maschine nicht benutzen, drücken Sie den Einschaltsperrknopf auf der Seite B hinein, um den Ein-Aus-Schalter in der AUS-Stellung zu verriegeln.

Um versehentliche Betätigung des Ein-Aus-Schalters zu verhüten, ist die Maschine mit einem Einschaltsperrknopf ausgestattet.

Um die Maschine zu starten, drücken Sie den Einschaltsperrknopf auf der Seite A hinein und drücken den Ein-Aus-Schalter.

Zum Ausschalten den Ein-Aus-Schalter loslassen. Drücken Sie nach der Benutzung stets den Einschaltsperrknopf auf der Seite B hinein.

MONTAGE

VORSICHT:

- Vergewissern Sie sich vor der Durchführung von Einstellungen oder Funktionsprüfungen der Maschine stets, dass die Maschine ausgeschaltet und der Akku abgenommen ist.

Auswechseln der Messer

VORSICHT:

- Entfernen Sie die Messer niemals mit bloßen Händen. Tragen Sie Handschuhe. Anderenfalls kann es zu Verletzungen kommen.

Demontieren des Messerkopfes (Abb. 5)

Die drei Schrauben, mit denen der Messerkopf befestigt ist, mit dem Inbusschlüssel lösen. Den Messerkopf zum Abnehmen unter abwechselndem Drehen nach links und rechts gerade abziehen.

Demontieren der Schermesser (Abb. 6)

Die drei Befestigungsschrauben des Messerkopfes herausdrehen. Beim Entfernen der zweiten Schraube darauf achten, dass die Hülse nicht herausfällt. Dann können die Messer leicht abgenommen werden. Bei der Demontage die Messer und die Hülse so halten, dass sie nicht aus dem Messerkopf herausfallen.

Montieren der Schermesser (Abb. 7)

Das Mittelmesser und die beiden Seitenmesser L und R in den Messerkopf einführen, dann die Hülse einsetzen und die drei Schrauben festziehen. Bei diesem Vorgang sollten die Schraubenköpfe 2 – 3 mm von der Seite des Messerkopfes überstehen.

Werden die Schrauben fest angezogen, kann der Messerkopf nicht an der Maschine angebracht werden.

Montieren des Messerkopfes (Abb. 8)

VORSICHT:

- Achten Sie auf einwandfreie Befestigung des Messerkopfes. Anderenfalls kann er sich während des Betriebs verdrehen und schwere Verletzungen verursachen.

Den Messerkopf unter abwechselndem Drehen nach links und rechts in das Werkzeug einführen. Dann die drei Schrauben mit dem Inbusschlüssel anziehen.

Aufbewahrung des Inbusschlüssels (Abb. 9)

Der Inbusschlüssel kann an der in der Abbildung gezeigten Stelle aufbewahrt werden, damit er nicht verloren geht.

Tragehaken (Abb. 10)

Der Tragehaken ist praktisch, um die Maschine vorübergehend aufzuhängen. Er kann auf beiden Seiten der Maschine angebracht werden.

Um den Haken zu entfernen, weiten Sie ihn auf, indem Sie seine rechten Enden AUF BEIDEN SEITEN in Richtung der Pfeile (1) drücken, und heben Sie ihn dann in Richtung des Pfeils (2) an.

BETRIEB

VORSICHT:

- Die Kanten und Späne des Werkstücks sind scharf. Tragen Sie Handschuhe. Anderenfalls kann es zu Verletzungen kommen.

Sichern Sie das Werkstück einwandfrei. Schieben Sie die Maschine vor, während Sie die Seitenmesser bündig mit der Werkstückoberfläche halten. (Abb. 11 u. 12)

Einstellung der Schermesser (Abb. 13)

Stellen Sie das Seitenmesser L so ein, dass die Späne des Abfallmaterials nicht mit dem Messerkopf oder dem Werkstück in Berührung kommen. Die drei Schrauben, mit denen der Messerkopf befestigt ist, mit dem Inbusschlüssel lösen. Das Seitenmesser L zum Einstellen vor und zurück schieben. Dann die drei Schrauben mit dem Inbusschlüssel anziehen.

WARTUNG

VORSICHT:

- Vergewissern Sie sich vor der Durchführung von Inspektions- oder Wartungsarbeiten stets, dass die Maschine ausgeschaltet und der Akku abgenommen ist.
- Verwenden Sie auf keinen Fall Benzin, Benzol, Verdünnern, Alkohol oder dergleichen. Solche Mittel können Verfärbung, Verformung oder Rissbildung verursachen.

Um die SICHERHEIT und ZUVERLÄSSIGKEIT dieses Produkts aufrechtzuerhalten, sollten Reparaturen, Überprüfung und Austausch der Kohlebürsten und andere Wartungs- oder Einstellarbeiten nur von Makita-Vertragswerkstätten oder Makita-Kundendienstzentren unter ausschließlicher Verwendung von Makita-Originalersatzteilen ausgeführt werden.

Schmierung (Abb. 14)

Vor dem Betrieb sollten die Kontaktpunkte des Mittelmessers und der Seitenmesser R/L geschmiert werden. Schmieren Sie auch die Spitze des Mittelmessers in der Nähe des Messerkopfes. Um die gute Schneidleistung aufrechtzuerhalten, sollte auch während des Betriebs von Zeit zu Zeit Schmiermittel aufgetragen werden.

SONDERZUBEHÖR

VORSICHT:

- Die folgenden Zubehörteile oder Vorrichtungen werden für den Einsatz mit der in dieser Anleitung beschriebenen Makita-Maschine empfohlen. Die Verwendung anderer Zubehörteile oder Vorrichtungen kann eine Verletzungsgefahr darstellen. Verwenden Sie Zubehörteile oder Vorrichtungen nur für ihren vorgesehenen Zweck.

Wenn Sie weitere Einzelheiten bezüglich dieser Zubehörteile benötigen, wenden Sie sich bitte an Ihre Makita-Kundendienststelle.

- Mittelmesser
- Seitenmesser R
- Seitenmesser L
- Inbusschlüssel
- Verschiedene Original-Makita-Akkus und -Ladegeräte
- Satz Scherenkopf 16

HINWEIS:

- Manche Teile in der Liste können als Standardzubehör im Werkzeugsatz enthalten sein. Sie können von Land zu Land unterschiedlich sein.

ENG905-1

Geräusch

Typischer A-bewerteter Geräuschpegel ermittelt gemäß EN62841-2-8:

Schalldruckpegel (L_{pA}): 74 dB (A)

Ungewissheit (K): 3 dB (A)

Der Lärmpegel kann während des Betriebs 80 dB (A) überschreiten.

ENG907-1

HINWEIS:

- Der (Die) angegebene(n) Schallemissionswert(e) wurde(n) im Einklang mit der Standardprüfmethode gemessen und kann (können) für den Vergleich zwischen Werkzeugen herangezogen werden.
- Der (Die) angegebene(n) Schallemissionswert(e) kann (können) auch für eine Vorbewertung des Gefährdungsgrads verwendet werden.

⚠️ WARNUNG:

- Einen Gehörschutz tragen.
- Die Schallemission während der tatsächlichen Benutzung des Elektrowerkzeugs kann je nach der Benutzungsweise des Werkzeugs, und speziell je nach der Art des bearbeiteten Werkstücks, von dem (den) angegebenen Wert(en) abweichen.
- Identifizieren Sie Sicherheitsmaßnahmen zum Schutz des Benutzers anhand einer Schätzung des Gefährdungsgrads unter den tatsächlichen Benutzungsbedingungen (unter Berücksichtigung aller Phasen des Arbeitszyklus, wie z. B. Ausschalt- und Leerlaufzeiten des Werkzeugs zusätzlich zur Betriebszeit).

ENG900-1

Vibration

Vibrationsgesamt看wert (Drei-Achsen-Vektorsumme)

ermittelt gemäß EN62841-2-8:

Arbeitsmodus: Schneiden von Blechen

Vibrationsemission ($a_{h, CM}$): 5,5 m/s²

Ungewissheit (K): 1,5 m/s²

ENG901-2

HINWEIS:

- Der (Die) angegebene(n) Vibrationsgesamtwert(e) wurde(n) im Einklang mit der Standardprüfmethode gemessen und kann (können) für den Vergleich zwischen Werkzeugen herangezogen werden.
- Der (Die) angegebene(n) Vibrationsgesamtwert(e) kann (können) auch für eine Vorbewertung des Gefährdungsgrads verwendet werden.

 **WARNUNG:**

- Die Vibrationsemission während der tatsächlichen Benutzung des Elektrowerkzeugs kann je nach der Benutzungsweise des Werkzeugs, und speziell je nach der Art des bearbeiteten Werkstücks, von dem (den) angegebenen Emissionswert(en) abweichen.
- Identifizieren Sie Sicherheitsmaßnahmen zum Schutz des Benutzers anhand einer Schätzung des Gefährdungsgrads unter den tatsächlichen Benutzungsbedingungen (unter Berücksichtigung aller Phasen des Arbeitszyklus, wie z. B. Ausschalt- und Leerlaufzeiten des Werkzeugs zusätzlich zur Betriebszeit).

EG-KONFORMITÄTSERKLÄRUNG

Nur für europäische Länder

Die EG-Konformitätserklärung ist als Anhang A in dieser Bedienungsanleitung enthalten.

Visione generale

1 Indicatore rosso	9 Testa di taglio	17 Gancio
2 Bottone	10 Viti	18 Lama laterale
3 Batteria	11 Chiave esagonale	19 Superficie lama laterale
4 Marchio di stella	12 Lama laterale L	20 Pezzo
5 Spie	13 Lama centrale	21 Librificare
6 Bottone di controllo	14 Lama laterale R	
7 Bottone di blocco interruttore	15 Manicotto	
8 Interruttore	16 Per stringere	

DATI TECNICI

Modello		DJS130
Capacità massima di taglio	Acciaio fino a 400 N/mm ²	1,3 mm (18 ga.)
	Acciaio inossidabile fino a 600 N/mm ²	1,0 mm (20 ga.)
Corse al minuto (min ⁻¹)		3.000
Lunghezza totale		350 mm
Peso netto		2,3 – 2,6 kg
Tensione nominale		C.c. 18 V

- Per il nostro programma di ricerca e sviluppo continui, i dati tecnici sono soggetti a modifiche senza preavviso.
- I dati tecnici potrebbero differire da paese a paese.
- Il peso può variare a seconda dell'accessorio o degli accessori, inclusa la cartuccia della batteria. La combinazione più leggera e quella più pesante, in base alla Procedura EPTA 01/2014, sono indicate nella tabella.

Cartuccia batteria e caricatore applicabili

Cartuccia batteria	BL1815N / BL1820 / BL1820B / BL1830 / BL1830B / BL1840 / BL1840B / BL1850 / BL1850B / BL1860B
Caricatore	DC18RC / DC18RD / DC18RE / DC18SD / DC18SE / DC18SF

- Alcune delle cartucce batterie e dei caricatori elencati sopra potrebbero non essere disponibili, a seconda della propria area geografica di residenza.

⚠️ AVVERTIMENTO: utilizzare solo le cartucce batterie e i caricatori elencati sopra. L'utilizzo di cartucce batterie e caricatori diversi potrebbe causare lesioni personali e/o incendi.

Utilizzo previsto

Questo utensile è progettato per il taglio delle lamiere di acciaio e delle lamiere di acciaio inossidabile.

ENE037-1

GE067-1

Avvertenze generali relative alla sicurezza dell'utensile elettrico

⚠️ AVVERTIMENTO Leggere tutte le avvertenze di sicurezza, le istruzioni, le illustrazioni e i dati tecnici forniti con il presente utensile elettrico. La mancata osservanza di tutte le istruzioni elencate di seguito potrebbe risultare in scosse elettriche, incendi e/o gravi lesioni personali.

Conservare tutte le avvertenze e le istruzioni come riferimento futuro.

Il termine "utensile elettrico" nelle avvertenze si riferisce sia all'utensile elettrico (cablato) nel funzionamento alimentato da rete elettrica che all'utensile elettrico (a batteria) nel funzionamento alimentato a batteria.

GEA010-2

AVVERTIMENTI PER LA SICUREZZA PER LA CESOIA A BATTERIA

1. Tenere saldamente l'utensile.
2. Fissare saldamente il pezzo.
3. Tenere le mani lontane dalle parti mobili.
4. I bordi e i trucioli del pezzo sono taglienti. Indossare i guanti. Per evitare lesioni si raccomanda anche di indossare scarpe con suola spessa.
5. Non mettere l'utensile sui trucioli del pezzo, perché potrebbero causarne un danno o malfunzionamento.
6. Non posare l'utensile lasciandolo girare a vuoto. Farlo funzionare soltanto tenendolo in mano.
7. Fare attenzione ad avere sempre i piedi saldi. Accertarsi che non ci sia nessuno sotto quando si usa l'utensile in un posto alto.
8. Non toccare la lama o il pezzo immediatamente dopo il lavoro, perché potrebbero essere estremamente caldi e causare bruciate sulla pelle.
9. Evitare di tagliare fili elettrici, perché c'è pericolo di incidenti seri per le scosse elettriche.

CONSERVARE QUESTE ISTRUZIONI.

AVVERTIMENTO:

NON lasciare che comodità o la familiarità d'utilizzo con il prodotto (acquisita con l'uso ripetuto) sostituisca la stretta osservanza delle norme di sicurezza. L'utilizzo SBAGLIATO o la mancata osservanza delle norme di sicurezza di questo manuale di istruzioni potrebbero causare serie lesioni personali.

ENC007-13

ISTRUZIONI DI SICUREZZA IMPORTANTI PER LA CARTUCCIA DELLA BATTERIA

1. Prima di utilizzare la cartuccia della batteria, leggere tutte le istruzioni e le avvertenze riportate (1) sul caricabatteria, (2) sulla batteria e (3) sul prodotto che utilizza la batteria.
2. Non smontare la cartuccia della batteria.
3. Qualora il tempo di utilizzo si riduca eccessivamente, interrompere immediatamente l'utilizzo dell'utensile. In caso contrario, si può incorrere nel rischio di surriscaldamento, possibili ustioni e persino un'esplosione.
4. Qualora l'elettrolita entri in contatto con gli occhi, sciacquarli con acqua pulita e richiedere immediatamente assistenza medica. Questa eventualità può risultare nella perdita della vista.
5. Non cortocircuitare la cartuccia della batteria:
 - (1) Non toccare i terminali con alcun materiale conduttivo.
 - (2) Evitare di conservare la cartuccia della batteria in un contenitore insieme ad altri oggetti metallici quali chiodi, monete, e così via.
 - (3) Non esporre la cartuccia della batteria all'acqua o alla pioggia.
Un cortocircuito della batteria può causare un grande flusso di corrente, un surriscaldamento, possibili ustioni e persino un guasto.
6. Non conservare l'utensile e la cartuccia della batteria in ubicazioni in cui la temperatura possa raggiungere o superare i 50°C.
7. Non incenerire la cartuccia della batteria anche qualora sia gravemente danneggiata o completamente esaurita. La cartuccia della batteria può esplodere se a contatto con il fuoco.
8. Fare attenzione a non far cadere e a non colpire la batteria.
9. Non utilizzare una batteria danneggiata.
10. Le batterie a ioni di litio contenute sono soggette ai requisiti del regolamento sul trasporto di merci pericolose (Dangerous Goods Legislation).
Per trasporti commerciali, ad esempio da parte di terzi o spedizionieri, è necessario osservare dei requisiti speciali sull'imballaggio e sull'etichetta.
Per la preparazione dell'articolo da spedire, è richiesta la consulenza di un esperto in materiali pericolosi. Attenersi anche alle normative nazionali, che potrebbero essere più dettagliate.
Nastrare o coprire i contatti aperti e imballare la batteria in modo tale che non si possa muovere liberamente all'interno dell'imballaggio.
11. Quando si intende smaltire la cartuccia della batteria, rimuoverla dall'utensile e smaltirla in un luogo sicuro. Attenersi alle normative locali relative allo smaltimento della batteria.

12. Utilizzare le batterie esclusivamente con i prodotti specificati da Makita. L'installazione delle batterie in prodotti non compatibili potrebbe risultare in incendi, calore eccessivo, esplosioni o perdite di liquido elettrolitico.
13. Se l'utensile non viene utilizzato per un periodo di tempo prolungato, la batteria deve essere rimossa dall'utensile.

CONSERVARE LE PRESENTI ISTRUZIONI.

ATTENZIONE:

- Utilizzare solo batterie originali Makita. L'utilizzo di batterie Makita non originali, o di batterie che siano state alterate, potrebbe risultare nello scoppio della batteria, causando incendi, lesioni personali e danni. Inoltre, ciò potrebbe invalidare la garanzia Makita per l'utensile e il caricabatteria Makita.

Suggerimenti per preservare la durata massima della batteria

1. Caricare la cartuccia della batteria prima che si scarichi completamente. Smettere sempre di utilizzare l'utensile e caricare la cartuccia della batteria quando si nota che la potenza dell'utensile è diminuita.
2. Non ricaricare mai una cartuccia della batteria completamente carica. La sovraccarica riduce la vita utile della batteria.
3. Caricare la cartuccia della batteria a una temperatura ambiente compresa tra 10°C e 40°C. Lasciar raffreddare una cartuccia della batteria prima di caricarla.
4. Caricare la cartuccia della batteria se non la si è utilizzata per un periodo di tempo prolungato (più di sei mesi).

DESCRIZIONE FUNZIONALE

ATTENZIONE:

- Accertarsi sempre che l'utensile sia spento e che la batteria sia stata rimossa prima di regolare o di controllare il funzionamento dell'utensile.

Installazione o rimozione della batteria (Fig. 1)

- Spegnerne sempre l'utensile prima di installare o di rimuovere la batteria.
- Per rimuovere la batteria, farla scorrere fuori dall'utensile spingendo allo stesso tempo il bottone sulla parte anteriore della batteria.
- Per installare la batteria, allineare l'appendice sulla batteria con la scanalatura dell'alloggiamento e inserirla in posizione. Inserirla sempre completamente finché non si blocca con un piccolo scatto. Se si vede l'indicatore rosso sul lato superiore del bottone, vuol dire che la batteria non è bloccata completamente. Inserirla completamente finché l'indicatore rosso non è più visibile. In caso contrario, potrebbe cadere dall'utensile con pericolo di ferite per l'operatore o per chi gli è vicino.
- Per installare la batteria non bisogna usare forza. Se la batteria non entra facilmente, vuol dire che non viene inserita correttamente.

Sistema di protezione della batteria (batteria agli ioni di litio con il marchio di stella) (Fig. 2)

Le batterie agli ioni di litio con il marchio di una stella sono dotate di un sistema di protezione. Questo sistema interrompe automaticamente la corrente all'utensile per estendere la vita della batteria.

L'utensile si arresta automaticamente mentre sta funzionando se esso e/o la batteria vengono a trovarsi in una delle condizioni seguenti:

- **Sovraccarico:**

L'utensile viene usato in un modo che causa l'assorbimento di una corrente anormalmente alta. In tal caso, rilasciare l'interruttore sull'utensile e arrestare l'applicazione che causa il sovraccarico. Schiacciare poi di nuovo l'interruttore per riavviarlo. Se l'utensile non si avvia, vuol dire che la batteria è surriscaldata. In tal caso, lasciare che la batteria si raffreddi prima di schiacciare di nuovo l'interruttore.

- **Bassa tensione della batteria:**

La capacità restante della batteria è troppo bassa e l'utensile non funziona. In tal caso, rimuovere e ricaricare la batteria.

Indicazione della capacità restante della batteria (Fig. 3)

Solo per cartucce delle batterie dotate di indicatore

Premere il bottone di controllo sulla cartuccia batteria per visualizzare la capacità restante della batteria. Le spie si accendono per pochi secondi.

Spie			Capacità restante
Accesa	Spenta	Lampeggiante	
■	□	◻	
■ ■ ■ ■			dal 75% al 100%
■ ■ ■ □			dal 50% al 75%
■ ■ □ □			dal 25% al 50%
■ □ □ □			dal 0% al 25%
◻ □ □ □			Caricare la batteria.
■ ■ □ □			Si potrebbe essere verificato un malfunzionamento della batteria.
□ □ ■ ■			

015658

NOTA:

- A seconda delle condizioni d'utilizzo e della temperatura ambiente, l'indicazione potrebbe differire leggermente dalla capacità reale.

Funzionamento dell'interruttore (Fig. 4)

ATTENZIONE:

- Prima di inserire la batteria nell'utensile, controllare sempre che l'interruttore funzioni correttamente e che ritorni sulla posizione "OFF" quando viene rilasciato.

- Quando non si usa l'utensile, schiacciare il bottone di blocco interruttore dal lato B per bloccare l'interruttore in posizione "OFF".

L'utensile è dotato del bottone di blocco interruttore per evitare che l'interruttore venga schiacciato accidentalmente.

Per avviare l'utensile, schiacciare il bottone di blocco interruttore dal lato A e schiacciare l'interruttore.

Rilasciare l'interruttore per fermarlo. Dopo l'uso, premere sempre giù il bottone di blocco interruttore dal lato B.

MONTAGGIO

ATTENZIONE:

- Accertarsi sempre che l'utensile sia spento e che la batteria sia stata rimossa prima di regolare o di controllare il funzionamento dell'utensile.

Sostituzione delle lame

ATTENZIONE:

- Mai rimuovere le lame con le mani nude. Indossare i guanti, perché altrimenti c'è pericolo di lesioni.

Rimozione della testa di taglio (Fig. 5)

Usare la chiave esagonale per allentare le tre viti che fissano la testa di taglio. Per rimuoverla, tirarla fuori dritta girandola alternativamente a destra e a sinistra.

Rimozione delle lame (Fig. 6)

Togliere le tre viti che fissano la testa di taglio. Togliendo la seconda vite, fare attenzione a non far cadere il manico. Le lame possono poi essere rimosse facilmente. Per rimuoverle, tenere le lame e il manicotto in modo che non cadano dalla testa di taglio.

Installazione delle lame (Fig. 7)

Installare il manicotto e stringere le tre viti dopo aver inserito la lama centrale e le lame laterali L e R nella testa di taglio. Durante questo procedimento, le teste delle viti devono sporgere di 2 – 3 mm dalla superficie della testa di taglio.

Se si stringono eccessivamente le viti, non è possibile installare la testa di taglio nell'utensile.

Installazione della testa di taglio (Fig. 8)

ATTENZIONE:

- Fissare saldamente la testa di taglio, perché altrimenti potrebbe ruotare durante il lavoro e causare lesioni serie.

Inserire la testa di taglio nell'utensile girandola alternativamente a destra e a sinistra. Stringere poi le tre viti con la chiave esagonale.

Conservazione della chiave esagonale (Fig. 9)

Riporre la chiave esagonale come mostrato nella illustrazione quando non viene usata, per evitarne la perdita.

Gancio di trasporto (Fig. 10)

Il gancio di trasporto è comodo per agganciare temporaneamente l'utensile. Esso può essere installato a piacere su entrambi i lati dell'utensile.

Per rimuovere il gancio di trasporto, allargarlo premendone le estremità destre SU ENTRAMBI I LATI nella direzione della freccia (1) e sollevarlo nella direzione della freccia (2).

FUNZIONAMENTO

ATTENZIONE:

- I bordi e i trucioli del pezzo sono taglienti. Indossare i guanti, perché altrimenti c'è pericolo di lesioni.

Fissare saldamente il pezzo. Muovere l'utensile in avanti mantenendo le lame laterali a livello con la superficie del pezzo. (Fig. 11 e 12)

Regolazione della lama (Fig. 13)

Regolare la lama laterale L in modo che l'arricciatura del materiale residuo non faccia contatto con la testa di taglio o con il pezzo. Usare la chiave esagonale per allentare le tre viti che fissano la testa di taglio. Per regolare la lama laterale L, spostarla avanti e indietro. Stringere poi le tre viti con la chiave esagonale.

MANUTENZIONE

ATTENZIONE:

- Accertarsi sempre che l'utensile sia spento e che la batteria sia stata rimossa prima dell'intervento di ispezione o manutenzione.
- Mai usare benzina, benzene, solventi, alcol e altre sostanze simili. Potrebbero causare scolorimenti, deformazioni o crepe.

Per preservare la SICUREZZA e l'AFFIDABILITÀ del prodotto, le riparazioni, l'ispezione e la sostituzione delle spazzole in carbonio e qualsiasi altro intervento di manutenzione o di regolazione devono essere eseguiti da un centro di assistenza autorizzato Makita, utilizzando sempre ricambi Makita.

Lubrificazione (Fig. 14)

Prima di usare l'utensile, lubrificare il punto di contatto e le lame laterali R/L. Lubrificare anche il punto della lama centrale vicino alla testa di taglio. Per mantenere le buone prestazioni di taglio, usare di quando in quando il lubrificante durante il lavoro.

ACCESSORI OPZIONALI

ATTENZIONE:

- Per l'utensile specificato in questo manuale, si consigliano questi accessori o ricambi. L'utilizzo di altri accessori o ricambi può costituire un pericolo di lesioni personali. Usare soltanto gli accessori o ricambi specificati per il loro utilizzo.

Per maggiori dettagli e l'assistenza per questi accessori, rivolgersi al Centro Assistenza Makita locale.

- Lama centrale
- Lama laterale R
- Lama laterale L
- Chiave esagonale
- Vari tipi di batterie e caricabatterie autentiche Makita
- Testa cesoia: set 16

NOTA:

- Alcuni articoli nella lista potrebbero essere inclusi nell'imballo dell'utensile come accessori standard. Essi potrebbero differire da Paese a Paese.

ENG905-1

Rumore

Il tipico livello di rumore pesato A determinato secondo EN62841-2-8:

— Livello pressione sonora (L_{pA}): 74 dB (A)

— Incertezza (K): 3 dB (A)

Il livello di rumore durante il lavoro potrebbe superare gli 80 dB (A).

ENG907-1

NOTA:

- Il valore o i valori dichiarati delle emissioni di rumori sono stati misurati in conformità a un metodo standard di verifica, e possono essere utilizzati per confrontare un utensile con un altro.
- Il valore o i valori dichiarati delle emissioni di rumori possono venire utilizzati anche per una valutazione preliminare dell'esposizione.

⚠ AVVERTIMENTO:

- **Indossare protezioni per le orecchie.**
- **L'emissione di rumori durante l'utilizzo effettivo dell'utensile elettrico può variare rispetto al valore o ai valori dichiarati, a seconda dei modi in cui viene utilizzato l'utensile e specialmente a seconda di che tipo di pezzo venga lavorato.**
- **Accertarsi di identificare misure di sicurezza per la protezione dell'operatore che siano basate su una stima dell'esposizione nelle condizioni effettive di utilizzo (tenendo conto di tutte le parti del ciclo operativo, ad esempio del numero di spegnimenti dell'utensile e di quando giri a vuoto, oltre al tempo di attivazione).**

Vibrazione

Il valore totale di vibrazione (somma vettore triassiale) determinato secondo EN62841-2-8:

Modalità operativa: taglio delle lamiere di metallo

Emissione di vibrazione ($a_{h, CM}$): 5,5 m/s²

Incertezza (K): 1,5 m/s²

ENG900-1

ENG901-2

NOTA:

- Il valore o i valori complessivi delle vibrazioni dichiarati sono stati misurati in conformità a un metodo standard di verifica, e possono essere utilizzati per confrontare un utensile con un altro.
- Il valore o i valori complessivi delle vibrazioni dichiarati possono venire utilizzati anche per una valutazione preliminare dell'esposizione.

⚠ AVVERTIMENTO:

- **L'emissione delle vibrazioni durante l'utilizzo effettivo dell'utensile elettrico può variare rispetto al valore o ai valori dichiarati, a seconda dei modi in cui viene utilizzato l'utensile, specialmente a seconda di che tipo di pezzo venga lavorato.**
- **Accertarsi di identificare misure di sicurezza per la protezione dell'operatore che siano basate su una stima dell'esposizione nelle condizioni effettive di utilizzo (tenendo conto di tutte le parti del ciclo operativo, ad esempio del numero di spegnimenti dell'utensile e di quando giri a vuoto, oltre al tempo di attivazione).**

DICHIARAZIONE DI CONFORMITÀ CE

Solo per i paesi europei

La dichiarazione di conformità CE è inclusa come Allegato A al presente manuale di istruzioni.

Verklaring van algemene gegevens

1 Rode indicator	9 Snijkop	17 Haak
2 Knop	10 Schroeven	18 Zijmes
3 Accu	11 Zeskantsleutel	19 Zijmesoppervlak
4 Stermarkering	12 Zijmes L	20 Werkstuk
5 Spanningslampjes	13 Centraal mes	21 Smeer
6 Controletoets	14 Zijmes R	
7 Aan/uit-vergrendelknop	15 Mof	
8 Aan/uit-schakelaar	16 Vastdraaien	

TECHNISCHE GEGEVENS

	Model	DJS130
Max. snijcapaciteiten	Staal tot maximum 400 N/mm ²	1,3 mm (18 ga.)
	Roestvrijstaal tot 600 N/mm ²	1,0 mm (20 ga.)
Slagen per minuut (min ⁻¹)		3 000
Totale lengte		350 mm
Netto gewicht		2,3 – 2,6 kg
Nominale spanning		DC 18 V

- In verband met ononderbroken research en ontwikkeling behouden wij ons het recht voor bovenstaande technische gegevens te wijzigen zonder voorafgaande kennisgeving.
- De technische gegevens kunnen van land tot land verschillen.
- Het gewicht kan verschillen, afhankelijk van de hulpstukken, inclusief de accu. De lichtste en zwaarste combinatie, overeenkomstig de EPTA-procedure 01/2014, worden aangegeven in de tabel.

Toepasselijke accu en acculader

Accu	BL1815N / BL1820 / BL1820B / BL1830 / BL1830B / BL1840 / BL1840B / BL1850 / BL1850B / BL1860B
Acculader	DC18RC / DC18RD / DC18RE / DC18SD / DC18SE / DC18SF

- Sommige van de hierboven vermelde accu's en acculaders zijn mogelijk niet verkrijgbaar, afhankelijk van het gebied waarin u woont.

⚠ WAARSCHUWING: Gebruik uitsluitend de hierboven vermelde accu's en acculaders. Als u enige andere accu of acculader gebruikt, kan dat leiden tot letsel en/of brand.

ENE037-1

GEB067-1

Doeleinden van gebruik

Dit gereedschap is bedoeld voor het knippen van plaatstaal en roestvrijplaatstaal.

GEA010-2

Algemene veiligheids waarschuwingen voor elektrisch gereedschap

⚠ WAARSCHUWING! Lees alle veiligheids waarschuwingen, aanwijzingen, afbeeldingen en technische gegevens behorend bij dit elektrische gereedschap aandachtig door. Als u niet alle onderstaande aanwijzingen naleeft, kan dat resulteren in brand, elektrische schokken en/of ernstig letsel.

Bewaar alle waarschuwingen en instructies om in de toekomst te kunnen raadplegen.

De term "elektrisch gereedschap" in de veiligheidsvoorschriften duidt op gereedschappen die op stroom van het lichtnet werken (met snoer) of gereedschappen met een accu (snoerloos).

VEILIGHEIDSWAARSCHUWINGEN VOOR ACCUPLAATSCHAAR

1. Houd het gereedschap stevig vast.
2. Zet het werkstuk goed vast.
3. Houd uw handen uit de buurt van bewegende delen.
4. De randen en spaanders van het werkstuk zijn scherp. Draag handschoenen. Het is ook aan te raden dat u schoenen met dikke zolen draagt om verwonding te voorkomen.
5. Plaats het gereedschap niet op de spaanders van het werkstuk. Dit kan namelijk beschadiging en defecten aan het gereedschap veroorzaken.
6. Laat het gereedschap niet achter terwijl het nog draait. Laat het gereedschap alleen draaien wanneer u het met de handen vasthoudt.
7. Zorg dat u altijd goede steun voor de voeten hebt. Controleer of niemand zich beneden u bevindt wanneer u het gereedschap op hoge plaatsen gebruikt.

8. Raak het mes of het werkstuk niet aan onmiddellijk na het gebruik; deze kunnen uiterst heet zijn en brandwonden veroorzaken.
9. Pas op dat u niet in elektrische bedrading snijdt. Dit kan namelijk een ernstig ongeluk ten gevolge van een elektrische schok veroorzaken.

BEWAAR DEZE VOORSCHRIFTEN.

WAARSCHUWING:

Laat u NIET misleiden door een vals gevoel van comfort en bekendheid met het gereedschap (na veelvuldig gebruik) en neem alle veiligheidsvoorschriften van het betreffende gereedschap altijd strikt in acht. VERKEERD GEBRUIK of het niet naleven van de veiligheidsvoorschriften in deze gebruiksaanwijzing kan leiden tot ernstige persoonlijke verwonding.

ENC007-13

BELANGRIJKE VEILIGHEIDSLINSTRUCTIES VOOR EEN ACCU

1. Lees alle voorschriften en waarschuwingen op (1) de acculader, (2) de accu, en (3) het product waarvoor de accu wordt gebruikt, alvorens de accu in gebruik te nemen.
2. Neem de accu niet uit elkaar.
3. Als de gebruikstijd van een opgeladen accu aanzienlijk korter is geworden, moet u het gebruik ervan onmiddellijk stopzetten. Voortgezet gebruik kan oververhitting, brandwonden en zelfs een ontploffing veroorzaken.
4. Als elektrolyt in uw ogen is terechtgekomen, spoelt u uw ogen met schoon water en roept u onmiddellijk de hulp van een dokter in. Elektrolyt in de ogen kan blindheid veroorzaken.
5. Voorkom kortsluiting van de accu:
 - (1) Raak de accuklemmen nooit aan met een geleidend materiaal.
 - (2) Bewaar de accu niet in een bak waarin andere metalen voorwerpen zoals spijkers, munten e.d. worden bewaard.
 - (3) Stel de accu niet bloot aan water of regen. Kortsluiting van de accu kan oorzaak zijn van een grote stroomafgifte, oververhitting, brandwonden, en zelfs defecten.
6. Bewaar het gereedschap en de accu niet op plaatsen waar de temperatuur kan oplopen tot 50°C of hoger.
7. Werp de accu nooit in het vuur, ook niet wanneer hij zwaar beschadigd of volledig versleten is. De accu kan ontploffen in het vuur.
8. Wees voorzichtig dat u de accu niet laat vallen en hem niet blootstelt aan schokken of stoten.
9. Gebruik nooit een beschadigde accu.
10. De bijgeleverde lithium-ionbatterijen zijn onderhevig aan de vereisten in de wetgeving omtrent gevaarlijke stoffen.

Voor commercieel transport en dergelijke door derden en transporteurs moeten speciale vereisten ten aanzien van verpakking en etikettering worden nageleefd.

Als voorbereiding van het artikel dat wordt getransporteerd is het noodzakelijk een expert op het gebied van gevaarlijke stoffen te raadplegen. Houd u tevens aan mogelijk strengere nationale regelgeving.

Blootliggende contactpunten moeten worden afgedekt met tape en de accu moet zodanig worden verpakt dat deze niet kan bewegen in de verpakking.

11. Wanneer u de accu wilt weggooien, verwijderd u de accu vanaf het gereedschap en gooit u hem op een veilige manier weg. Volg bij het weggooien van de accu de plaatselijke voorschriften.
12. Gebruik de accu's uitsluitend met de gereedschappen die door Makita zijn aanbevolen. Als de accu's worden aangebracht in niet-compatibele gereedschappen, kan dat leiden tot brand, buitensporige warmteontwikkeling, een explosie of lekkage van elektrolyt.
13. Als u het gereedschap gedurende een lange tijd niet denkt te gaan gebruiken, moet de accu vanaf het gereedschap worden verwijderd.

BEWAAR DEZE INSTRUCTIES.

LET OP:

- Gebruik uitsluitend originele Makita accu's. Het gebruik van niet-originele accu's, of accu's die zijn gewijzigd, kan ertoe leiden dat de accu ontploft en brand, persoonlijk letsel en schade veroorzaakt. Ook vervalt daarmee de garantie van Makita op het gereedschap en de lader van Makita.

Tips voor een maximale levensduur van de accu

1. Laad de accu op voordat hij volledig ontladen is. Stop het gebruik van het gereedschap en laad de accu op telkens wanneer u vaststelt dat het vermogen van het gereedschap is afgenomen.
2. Laad een volledig opgeladen accu nooit opnieuw op. Te lang opladen verkort de levensduur van de accu.
3. Laad de accu op bij een omgevingstemperatuur tussen 10°C en 40°C. Laat een warme accu afkoelen alvorens hem op te laden.
4. Laad de accu op als u deze gedurende een lange tijd (meer dan zes maanden) niet gaat gebruiken.

BESCHRIJVING VAN DE FUNCTIES

LET OP:

- Zorg altijd dat het gereedschap is uitgeschakeld en de accu ervan is verwijderd alvorens de functies op het gereedschap af te stellen of te controleren.

Installeren of verwijderen van de accu (Fig. 1)

- Schakel het gereedschap altijd uit alvorens de accu te installeren of te verwijderen.
- Om de accu uit het gereedschap te halen, verschuift u de knop op de voorkant van de accu en schuift u de accu eraf.
- Om de accu te installeren, plaatst u de tong op de accu tegenover de groef in de behuizing en dan schuift u de accu erin. Schuif de accu zo ver mogelijk erin totdat deze op zijn plaats vastklikt. Wanneer de rode indicator op de bovenkant van de knop nog zichtbaar is, zit de accu niet volledig erin. Schuif hem volledig erin totdat de rode indicator niet meer zichtbaar is. Als u dit niet doet, kan de accu per ongeluk eruit vallen en uzelf of andere personen in uw omgeving verwonden.
- Probeer nooit om de accu met kracht te installeren. Als de accu er niet gemakkelijk ingaat, betekent dit dat u hem niet op de juiste wijze erin steekt.

Accubeveiligingssysteem (Lithium-ionenaccu met een stermarkering) (Fig. 2)

Lithium-ionenaccu's met een stermarkering zijn voorzien van een beveiligingssysteem. Dat kan automatisch de stroomtoevoer afsluiten om de levensduur van de accu te verlengen.

Het gereedschap kan tijdens gebruik automatisch stoppen wanneer het gereedschap en/of de accu aan één van de volgende omstandigheden wordt blootgesteld:

- Overbelasting:

Als het gereedschap wordt gebruikt op een manier die een abnormaal hoge stroomsterkte vergt.

In dat geval laat u de trekschakelaar van het gereedschap los en verhelpt u de oorzaak van de overbelasting. Vervolgens drukt u de trekschakelaar weer in om het gereedschap te herstarten.

Als het gereedschap niet start, kan de accu oververhit zijn. In dat geval laat u de accu even afkoelen voordat u de trekschakelaar opnieuw indrukt.

- Onvoldoende accuspanning:

Als de resterende accuspanning onvoldoende is, zal het gereedschap niet starten. In dat geval verwijdert u de accu en laadt u die opnieuw op.

Aangeven van de resterende accuspanning (Fig. 3)

Alleen voor accu's met een indicatorlampje

Druk op de controletuets van de accu om de resterende accuspanning te zien. De spanningslampjes gaan enkele seconden lang branden.

Spanningslampjes			Resterende accuspanning
Verlicht	Gedooft	Knipperend	
■	□	▩	
■ ■ ■ ■			75% tot 100%
■ ■ ■ □			50% tot 75%
■ ■ □ □			25% tot 50%
■ □ □ □			0% tot 25%
▩ □ □ □			Laad de accu op.
■ ■ □ □			Wellicht is er iets mis met de accu.
□ □ ■ ■			

015658

OPMERKING:

• Afhankelijk van de gebruiksomstandigheden en de omgevingstemperatuur kan de aanduiding wel eens ietwat afwijken van de werkelijk resterende accuspanning.

Werking van de aan/uit-schakelaar (Fig. 4)

LET OP:

• Alvorens de accu in het gereedschap te steken, controleert u eerst of de aan/uit-schakelaar goed werkt en na loslaten terugkeert naar de uit-stand.

- Wanneer u het gereedschap niet gebruikt, drukt u op de aan/uit-vergrendelknop vanaf de B-kant om de aan/uit-schakelaar te vergrendelen in de uit-stand.

Om te voorkomen dat de aan/uit-schakelaar per ongeluk wordt bediend, is de aan/uit-vergrendelknop aangebracht.

Om het gereedschap te starten, drukt u vanaf de A-kant op de aan/uit-vergrendelknop en knijpt u de aan/uit-schakelaar in.

Laat de aan/uit-schakelaar los om het gereedschap te stoppen. Na gebruik, vergeet u niet vanaf de B-kant op de aan/uit-vergrendelknop te drukken.

INEENZETTEN

LET OP:

- Zorg altijd dat het gereedschap is uitgeschakeld en de accu ervan is verwijderd alvorens de functies op het gereedschap af te stellen of te controleren.

Vervanging van de schaarmessen

LET OP:

- Verwijder de schaarmessen nooit met blote handen. Draag handschoenen. Anders kan dit verwondingen veroorzaken.

Verwijderen van de snijkop (Fig. 5)

Draai met de zeskantsleutel de drie schroeven los waarmee de snijkop is vastgezet. Trek de snijkop recht uit het gereedschap terwijl u deze beurtelings naar links en naar rechts draait.

Verwijderen van de schaarmessen (Fig. 6)

Verwijder de drie schroeven waarmee de snijkop is vastgezet. Pas op dat de mof niet eruit valt wanneer u de tweede schroef verwijdert. Daarna kunt u de messen gemakkelijk verwijderen. Wanneer u de messen verwijdert, moet u de messen en de mof vasthouden zodat deze niet uit de snijkop vallen.

Installeren van de schaarmessen (Fig. 7)

Monteer de mof, steek het centraal mes en de zijmessen L en R in de snijkop, en draai de drie schroeven vast. Laat de schroefkoppen 2 tot 3 mm uitsteken vanaf het snijkop-oppervlak.

Als u de schroeven te hard aantrekt, kan de snijkop niet op het gereedschap worden gemonteerd.

Installeren van de snijkop (Fig. 8)

LET OP:

- Zet de snijkop goed vast, omdat deze anders tijdens het gebruik kan draaien en verwonding veroorzaken.

Steek de snijkop in het gereedschap terwijl u deze beurtelings naar links en naar rechts draait. Draai daarna de drie schroeven vast met de zeskantsleutel.

Opbergplaats voor inbussleutel (Fig. 9)

Wanneer u de inbussleutel niet gebruikt, bergt u deze op de plaats aangegeven in de afbeelding op, om te voorkomen dat deze wordt verloren.

Draaghaak (Fig. 10)

De draaghaak is handig om het gereedschap tijdelijk aan op te hangen. De haak kan aan beide kanten van het gereedschap worden bevestigd.

Als u de haak eraf wilt halen, trekt u de lange kant ervan AAN BEIDE ZIJDEN uit elkaar in de richting van pijl (1) en draait u deze in de richting van pijl (2).

BEDIENING

LET OP:

- De randen en spaanders van het werkstuk zijn scherp. Draag handschoenen. Ander kunnen deze verwondingen veroorzaken.

Zet het werkstuk goed vast. Beweeg het gereedschap naar voren en zorg dat de zijmessen vlak blijven met het werkstukoppervlak. (Fig. 11 en 12)

Afstellen van het schaarmes (Fig. 13)

Stel het zijmes L zodanig af dat de spaanders niet met de snijkop of het werkstuk in contact komen. Draai met de zeskantsleutel de drie schroeven los waarmee de snijkop is vastgezet. Stel het zijmes L af door het naar voren en naar achteren te bewegen. Trek daarna de drie schroeven aan met de zeskantsleutel.

ONDERHOUD

LET OP:

- Zorg altijd dat het gereedschap is uitgeschakeld en de accu ervan is verwijderd alvorens te beginnen met onderhoud of inspectie.
- Gebruik nooit benzine, wasbenzine, thinner, alcohol en dergelijke. Hierdoor het verkleuring, vervormingen en barsten worden veroorzaakt.

Om de VEILIGHEID en BETROUWBAARHEID van het gereedschap te handhaven, dienen alle reparaties, inspectie en vervanging van de koolborstels, en alle andere onderhoudswerkzaamheden of afstellingen te worden uitgevoerd bij een erkend Makita-servicecentrum of Makita-fabrieksservicecentrum, en altijd met gebruik van Makita-vervangingsonderdelen.

Smering (Fig. 14)

Smeer de contactpunt van het centraal mes en de zijmessen R/L alvorens met het werk te beginnen. Smeer ook de punt van het centraal mes dicht bij de snijkop. Smeer regelmatig tijdens het werk om goede snijprestaties te verzekeren.

OPTIONELE ACCESSOIRES

LET OP:

- Deze accessoires of hulpstukken worden aanbevolen voor gebruik met het Makita gereedschap dat in deze gebruiksaanwijzing wordt beschreven. Het gebruik van andere accessoires of hulpstukken kan gevaar voor persoonlijke verwonding opleveren. Gebruik de accessoires of hulpstukken uitsluitend voor het gespecificeerde doel.

Wenst u meer informatie over deze accessoires, neem dan contact op met het dichtstbijzijnde Makita servicecentrum.

- Centraal mes
- Zijmes R
- Zijmes L
- Zeskantsleutel
- Verschillende types originele Makita accu's en acculaders
- Schaarkop set 16

OPMERKING:

- Sommige onderdelen in deze lijst kunnen bij het gereedschap zijn meegeleverd als standaard-accessoires. Deze kunnen van land tot land verschillen.

Geluidsniveau

De typisch, A-gewogen geluidsniveaus vastgesteld volgens EN62841-2-8:

Geluidsdrukniveau (L_{pA}): 74 dB (A)

Onnauwkeurigheid (K): 3 dB (A)

Tijdens het werken kan het geluidsniveau 80 dB (A) overschrijden.

ENG907-1

OPMERKING:

- De opgegeven geluidsemisiewaarde(n) is/zijn gemeenten volgens een standaardtestmethode en kan/kunnen worden gebruikt om dit gereedschap te vergelijken met andere gereedschappen.
- De opgegeven geluidsemisiewaarde(n) kan/kunnen ook worden gebruikt voor een beoordeling vooraf van de blootstelling.

⚠ WAARSCHUWING:

- **Draag gehoorbescherming.**
- **De geluidsemisie tijdens het gebruik van het elektrisch gereedschap in de praktijk kan verschillen van de opgegeven waarde(n) afhankelijk van de manier waarop het gereedschap wordt gebruikt, met name van het soort werkstuk waarmee wordt gewerkt.**
- **Zorg ervoor dat veiligheidsmaatregelen worden getroffen ter bescherming van de gebruiker die zijn gebaseerd op een schatting van de blootstelling onder praktijkomstandigheden (rekening houdend met alle fasen van de bedrijfscyclus, zoals de tijdsduur gedurende welke het gereedschap is uitgeschakeld en stationair draait, naast de ingeschakelde tijdsduur).**

ENG900-1

Trilling

De totaalwaarde van de trillingen (triaxiale vectorsom) vastgesteld volgens EN62841-2-8:

Toepassing: plaatstaal knippen

Trillingsemisie ($a_{h, CM}$): 5,5 m/s²

Onnauwkeurigheid (K): 1,5 m/s²

ENG901-2

OPMERKING:

- De totale trillingswaarde(n) is/zijn gemeten volgens een standaardtestmethode en kan/kunnen worden gebruikt om dit gereedschap te vergelijken met andere gereedschappen.
- De opgegeven totale trillingswaarde(n) kan/kunnen ook worden gebruikt voor een beoordeling vooraf van de blootstelling.

⚠ WAARSCHUWING:

- **De trillingsemisie tijdens het gebruik van het elektrisch gereedschap in de praktijk kan verschillen van de opgegeven waarde(n) afhankelijk van de manier waarop het gereedschap wordt gebruikt, met name van het soort werkstuk waarmee wordt gewerkt.**
- **Zorg ervoor dat veiligheidsmaatregelen worden getroffen ter bescherming van de gebruiker die zijn gebaseerd op een schatting van de blootstelling onder praktijkomstandigheden (rekening houdend met alle fasen van de bedrijfscyclus, zoals de tijdsduur gedurende welke het gereedschap is uitgeschakeld en stationair draait, naast de ingeschakelde tijdsduur).**

EG-VERKLARING VAN CONFORMITEIT

Alleen voor Europese landen

De EG-verklaring van conformiteit is bijgesloten als Aanhangsel A bij deze gebruiksaanwijzing.

Explicación de los dibujos

1 Indicador rojo	9 Cabezal de corte	17 Gancho
2 Botón	10 Tornillos	18 Cuchilla lateral
3 Cartucho de batería	11 Llave hexagonal	19 Superficie de la cuchilla lateral
4 Marca de estrella	12 Cuchilla lateral izquierda	20 Pieza de trabajo
5 Lámparas indicadoras	13 Cuchilla central	21 Lubrique
6 Botón de comprobación	14 Cuchilla lateral derecha	
7 Botón de bloqueo del gatillo	15 Manguito	
8 Gatillo interruptor	16 Apretar	

ESPECIFICACIONES

Modelo		DJS130
Capacidades de corte máximas	Acero de hasta 400 N/mm ²	1,3 mm (18 ga.)
	Acero inoxidable de hasta 600 N/mm ²	1,0 mm (20 ga.)
Carreras por minuto (min ⁻¹)		3.000
Longitud total		350 mm
Peso neto		2,3 – 2,6 kg
Tensión nominal		CC 18 V

- Debido a un programa continuo de investigación y desarrollo, las especificaciones aquí dadas están sujetas a cambios sin previo aviso.
- Las especificaciones pueden ser diferentes de país a país.
- El peso puede variar dependiendo del accesorio(s), incluyendo el cartucho de batería. La combinación menos pesada y la más pesada, de acuerdo con el procedimiento EPTA 01/2014, se muestran en la tabla.

Cartucho de batería y cargador aplicables

Cartucho de batería	BL1815N / BL1820 / BL1820B / BL1830 / BL1830B / BL1840 / BL1840B / BL1850 / BL1850B / BL1860B
Cargador	DC18RC / DC18RD / DC18RE / DC18SD / DC18SE / DC18SF

- Algunos de los cartuchos de batería y cargadores indicados arriba puede que no estén disponibles dependiendo de su región de residencia.

⚠ ¡ADVERTENCIA! Utilice solamente los cartuchos de batería y cargadores indicados arriba. La utilización de cualquier otro cartucho de batería y cargador puede ocasionar heridas y/o un incendio.

Uso previsto

Esta herramienta ha sido prevista para cortar chapas de acero y chapas de acero inoxidable.

ENE037-1

GEB067-1

Advertencias de seguridad para herramientas eléctricas en general

⚠ ¡ADVERTENCIA! Lea todas las advertencias de seguridad, instrucciones, ilustraciones y especificaciones provistas con esta herramienta eléctrica. Si no sigue todas las instrucciones indicadas abajo podrá resultar en una descarga eléctrica, un incendio y/o heridas graves.

Guarde todas las advertencias e instrucciones para futuras referencias.

El término "herramienta eléctrica" en las advertencias se refiere a su herramienta eléctrica de funcionamiento con conexión a la red eléctrica (con cable) o herramienta eléctrica de funcionamiento a batería (sin cable).

GEA010-2

ADVERTENCIAS DE SEGURIDAD PARA LA CIZALLA A BATERÍA

1. Sujete firmemente la herramienta.
2. Afiance firmemente la pieza de trabajo.
3. Mantenga las manos alejadas de las partes giratorias.
4. Los bordes y rebabas de la pieza de trabajo son muy cortantes. Póngase guantes. También se recomienda que se ponga calzado de suela gruesa para prevenir heridas.
5. No ponga la herramienta sobre las rebabas de la pieza de trabajo. De lo contrario, podrá ocasionar daño y problemas en la herramienta.
6. No deje la herramienta encendida. Póngala en marcha solamente cuando la tenga en las manos.
7. Mantenga siempre los pies sobre suelo firme. Asegúrese de que no haya nadie debajo cuando utilice la herramienta en lugares elevados.
8. No toque las cuchillas ni la pieza de trabajo inmediatamente después de la tarea; podrían estar muy calientes y producirle quemaduras en la piel.

9. Evite cortar cables eléctricos. Podría ocasionar serios accidentes por descarga eléctrica.

GUARDE ESTAS INSTRUCCIONES.

⚠ ADVERTENCIA:

NO deje que la comodidad o familiaridad con el producto (a base de utilizarlo repetidamente) sustituya la estricta observancia de las normas de seguridad para el producto en cuestión. El MAL USO o el no seguir las normas de seguridad establecidas en este manual de instrucciones podrá ocasionar graves heridas personales.

ENC007-13

INSTRUCCIONES DE SEGURIDAD IMPORTANTES PARA EL CARTUCHO DE BATERÍA

1. Antes de utilizar el cartucho de batería, lea todas las instrucciones e indicaciones de precaución sobre (1) el cargador de baterías, (2) la batería, y (3) el producto con el que se utiliza la batería.
2. No desarme el cartucho de batería.
3. Si el tiempo de uso se acorta demasiado, cese la operación inmediatamente. Podría resultar en un riesgo de recalentamiento, posibles quemaduras e incluso una explosión.
4. Si entra electrólito en sus ojos, aclárelos con agua limpia y acuda a un médico inmediatamente. Existe el riesgo de poder perder la vista.
5. No cortocircuite el cartucho de batería:
 - (1) No toque los terminales con ningún material conductor.
 - (2) Evite guardar el cartucho de batería en un cajón junto con otros objetos metálicos, como clavos, monedas, etc.
 - (3) No exponga el cartucho de batería al agua ni a la lluvia.

Un cortocircuito en la batería puede producir una gran circulación de corriente, un recalentamiento, posibles quemaduras e incluso una rotura de la misma.

6. No guarde la herramienta y el cartucho de batería en lugares donde la temperatura pueda alcanzar o exceder los 50 °C.
7. Nunca incinere el cartucho de batería incluso en el caso de que esté dañado seriamente o ya no sirva en absoluto. El cartucho de batería puede explotar si se tira al fuego.
8. Tenga cuidado de no dejar caer ni golpear el cartucho de batería.
9. No utilice una batería dañada.
10. Las baterías de litio-ion contenidas están sujetas a los requisitos de la Legislación para Materiales Peligrosos.

Para transportes comerciales, p.ej., por terceras personas y agentes de transportes, se deberán observar requisitos especiales para el empaquetado y etiquetado.

Para la preparación del artículo que se va a enviar, se requiere consultar con un experto en materiales peligrosos. Por favor, observe también la posibilidad de reglamentos nacionales más detallados.

Cubra con cinta aislante o enmascare los contactos expuestos y empaquete la batería de tal manera que no se pueda mover alrededor dentro del embalaje.

11. Para desechar el cartucho de batería, retírelo de la herramienta y deséchelo en un lugar seguro. Siga los reglamentos locales referentes al desecho de la batería.
12. Utilice las baterías solamente con los productos especificados por Makita. La instalación de las baterías en productos no compatibles puede resultar en un incendio, calor excesivo, explosión, o fuga de electrólito.
13. Si la herramienta no va a ser utilizada durante un periodo de tiempo largo, la batería deberá ser retirada de la herramienta.

GUARDE ESTAS INSTRUCCIONES.

PRECAUCIÓN:

- Utilice solamente baterías genuinas de Makita. La utilización de baterías no genuinas de Makita, o baterías que han sido alteradas, puede resultar en una explosión de la batería ocasionando incendios, heridas personales y daños. También anulará la garantía de Makita para la herramienta y el cargador de Makita.

Consejos para alargar al máximo la vida de servicio de la batería

1. Cargue el cartucho de batería antes de que se descargue completamente. Detenga siempre la operación y cargue el cartucho de batería cuando note menos potencia en la herramienta.
2. No cargue nunca un cartucho de batería que esté completamente cargado. La sobrecarga acortará la vida de servicio de la batería.
3. Cargue el cartucho de batería a temperatura ambiente de 10 °C – 40 °C. Si un cartucho de batería está caliente, déjelo enfriar antes de cargarlo.
4. Cargue el cartucho de batería si no lo utiliza durante un periodo de tiempo prolongado (más de seis meses).

DESCRIPCIÓN DEL FUNCIONAMIENTO

PRECAUCIÓN:

- Asegúrese siempre de que la herramienta esté apagada y el cartucho de batería extraído antes de realizar cualquier ajuste o comprobación en la herramienta.

Instalación o desmontaje del cartucho de batería (Fig. 1)

- Apague siempre la herramienta antes de la instalación o extracción del cartucho de batería.
- Para extraer el cartucho de batería, deslícelo de la herramienta a la vez que desliza el botón de la parte frontal del cartucho.
- Para instalar el cartucho de batería, alinee la lengüeta del cartucho de batería con la ranura de la caja y deslícelo hasta que encaje en su sitio. Insértelo siempre a tope hasta que quede bloqueado en su sitio produciendo un chasquido. Si puede ver el indicador rojo en el lado superior del botón, no estará bloqueado completamente. Instálolo completamente hasta que no pueda verse el indicador rojo. De lo contrario, podrá caerse de la herramienta accidentalmente, pudiendo ocasionarle heridas a usted o a alguien cerca de usted.
- No emplee fuerza cuando inserte el cartucho de batería. Si el cartucho no se desliza al interior fácilmente, será porque no está siendo insertado correctamente.

Sistema de protección de la batería (Batería de litio-ión con marca de estrella) (Fig. 2)

Las baterías de litio-ión con marca de estrella están equipadas con un sistema de protección. Este sistema corta automáticamente la alimentación de la herramienta para alargar la vida útil de la batería.

La herramienta se detendrá automáticamente durante la operación si la herramienta y/o la batería son puestas en una de las condiciones siguientes:

- **Sobrecargada:**

La herramienta es utilizada de una manera que da lugar a que tenga que absorber una corriente anormalmente alta.

En esta situación, suelte el gatillo interruptor de la herramienta y detenga la tarea que ocasiona la sobrecarga de la herramienta. Después apriete el gatillo interruptor otra vez para volver a ponerla en marcha.

Si la herramienta no se pone en marcha, la batería estará recalentada. En esta situación, deje que la batería se enfríe antes de apretar el gatillo interruptor otra vez.

- **Tensión baja en la batería:**

La capacidad de batería restante es muy baja y la herramienta no funcionará. En esta situación, extraiga la batería y vuelva a cargarla.

Indicación de la capacidad de batería restante (Fig. 3)

Solamente para cartuchos de batería con el indicador

Pulse el botón de comprobación en el cartucho de batería para indicar la capacidad de batería restante. Las lámparas indicadoras se iluminan durante unos pocos segundos.

Lámparas indicadoras			Capacidad restante
Encendida	Apagada	Parpadeando	
■	□	▧	75% a 100%
■	■	■	
■	■	■	
■	■	■	
■	■	■	
■	■	■	
■	■	■	50% a 75%
■	■	■	25% a 50%
■	■	■	
■	■	■	0% a 25%
■	■	■	Cargue la batería.
■	■	■	
■	■	■	Es posible que la batería no funcione bien.
■	■	■	

015658

NOTA:

- Dependiendo de las condiciones de utilización y la temperatura ambiente, es posible que la indicación varíe ligeramente de la capacidad real.

Accionamiento del interruptor (Fig. 4)

PRECAUCIÓN:

- Antes de insertar el cartucho de batería en la herramienta, compruebe siempre para cerciorarse de que el gatillo interruptor se acciona debidamente y que vuelve a la posición "OFF" cuando lo suelta.
- Cuando no esté utilizando la herramienta, presione hacia dentro el botón de bloqueo del gatillo en el lado B para bloquear el gatillo interruptor en la posición "OFF".

Para evitar que el gatillo interruptor pueda accionarse accidentalmente, se ha provisto el botón de bloqueo del gatillo.

Para poner en marcha la herramienta, presione hacia dentro el botón de bloqueo del gatillo en el lado A y apriete el gatillo interruptor.

Suelte el gatillo interruptor para parar. Después de la utilización, presione hacia dentro siempre el botón de bloqueo del gatillo en el lado B.

MONTAJE

PRECAUCIÓN:

- Asegúrese siempre de que la herramienta esté apagada y el cartucho de batería extraído antes de realizar cualquier ajuste o comprobación en la herramienta.

Cambio de las cuchillas

PRECAUCIÓN:

- No quite nunca las cuchillas con las manos desprotegidas. Póngase guantes. De lo contrario, podrá ocasionarle heridas.

Desmontaje del cabezal de corte (Fig. 5)

Afloje con la llave hexagonal los tres tornillos que sujetan el cabezal de corte. Saque el cabezal de corte tirando de él en línea recta girándolo alternativamente hacia la izquierda y hacia la derecha.

Desmontaje de las cuchillas de cizalla (Fig. 6)

Quite los tres tornillos que sujetan el cabezal de corte. Al quitar el segundo tornillo, tenga cuidado de que no se caiga el manguito. A continuación podrá extraer las cuchillas fácilmente. Al extraer las cuchillas, sujete las cuchillas y el manguito para impedir que se caigan del cabezal de corte.

Instalación de las cuchillas de cizalla (Fig. 7)

Instale el manguito y apriete los tres tornillos después de haber insertado la cuchilla central y las cuchillas laterales izquierda y derecha en el cabezal de corte. Al realizar esta operación, las cabezas de los tornillos deberán quedar sobresaliendo 2 – 3 mm de la superficie del cabezal de corte.

Si aprieta demasiado los tornillos, no se podrá instalar el cabezal de corte en la herramienta.

Instalación del cabezal de corte (Fig. 8)

PRECAUCIÓN:

- Fije el cabezal de corte firmemente. De lo contrario, podrá girar durante su utilización y ocasionarle graves heridas.

Inserte el cabezal de corte en la herramienta girándolo alternativamente hacia la izquierda y hacia la derecha. Luego apriete los tres tornillos con la llave hexagonal.

Almacenamiento de la llave hexagonal (Fig. 9)

Cuando no la esté utilizando, coloque la llave hexagonal como se muestra en la figura para evitar perderla.

Gancho de soporte (Fig. 10)

El gancho de soporte resulta útil para soportar temporalmente la herramienta. Se puede instalar en cualquiera de los lados de la herramienta.

Cuando vaya a quitar el gancho de soporte, ensáchelo presionando sus extremos derechos EN AMBOS LADOS en las direcciones indicadas por la flecha (1) y levántelo en la dirección indicada por la flecha (2).

OPERACIÓN

PRECAUCIÓN:

- Los bordes y rebabas de la pieza de trabajo son muy cortantes. Póngase guantes. De lo contrario podrán ocasionarle heridas.

Afiance firmemente la pieza de trabajo. Avance la herramienta manteniendo las cuchillas laterales contra la superficie de la pieza de trabajo. (Fig. 11 y 12)

Ajuste de la cuchilla de cizalla (Fig. 13)

Ajuste la cuchilla lateral izquierda de forma que el rizo de material de desecho no toque el cabezal de corte ni la pieza de trabajo. Afloje con la llave hexagonal los tres tornillos que sujetan el cabezal de corte. Mueva la cuchilla lateral izquierda hacia atrás y adelante para ajustarla. Luego apriete los tres tornillos con la llave hexagonal.

MANTENIMIENTO

PRECAUCIÓN:

- Asegúrese siempre de que la herramienta esté apagada y el cartucho de batería extraído antes de intentar realizar una inspección o mantenimiento.
- No utilice nunca gasolina, bencina, disolvente, alcohol o similares. Podría producir descolocación, deformación o grietas.

Para mantener la SEGURIDAD y FIABILIDAD del producto, las reparaciones, la inspección y el reemplazo de la escobilla de carbón, y cualquier otra tarea de mantenimiento o ajuste deberán ser realizados en centros de servicio autorizados o de fábrica de Makita, empleando siempre repuestos Makita.

Lubricación (Fig. 14)

Antes de realizar la tarea, lubrique el punto de contacto de la cuchilla central y las cuchillas laterales izquierda y derecha. Lubrique también el punto de la cuchilla central próximo al cabezal de corte. Para mantener la herramienta en buenas condiciones de corte, lubrique de vez en cuando durante la tarea.

ACCESORIOS OPCIONALES

PRECAUCIÓN:

- Estos accesorios o acoplamientos están recomendados para utilizar con su herramienta Makita especificada en este manual. El empleo de cualesquiera otros accesorios o acoplamientos conllevará un riesgo de sufrir heridas personales. Utilice los accesorios o acoplamientos solamente para su fin establecido.

Si necesita cualquier ayuda para más detalles en relación con estos accesorios, pregunte a su centro de servicio Makita local.

- Cuchilla central
- Cuchilla lateral derecha
- Cuchilla lateral izquierda
- Llave hexagonal
- Diferentes tipos de baterías y cargadores genuinos de Makita
- Juego de cabeza de cizalla 16

NOTA:

- Algunos elementos de la lista podrán estar incluidos en el paquete de la herramienta como accesorios estándar. Pueden variar de un país a otro.

ENG905-1

Ruido

El nivel de ruido A-ponderado típico determinado de acuerdo con la norma EN62841-2-8:

Nivel de presión sonora (L_{pA}): 74 dB (A)

Error (K): 3 dB (A)

El nivel de ruido en condiciones de trabajo puede que sobrepase los 80 dB (A).

ENG907-1

NOTA:

- El valor (o los valores) de emisión de ruido declarado ha sido medido de acuerdo con un método de prueba estándar y se puede utilizar para comparar una herramienta con otra.
- El valor (o valores) de emisión de ruido declarado también se puede utilizar en una valoración preliminar de exposición.

⚠ ADVERTENCIA:

- Póngase protectores para oídos.
- La emisión de ruido durante la utilización real de la herramienta eléctrica puede variar del valor (o los valores) de emisión declarado dependiendo de las formas en las que la herramienta sea utilizada, especialmente qué tipo de pieza de trabajo se procesa.
- Asegúrese de identificar medidas de seguridad para proteger al operario que estén basadas en una estimación de la exposición en las condiciones reales de utilización (teniendo en cuenta todas las partes del ciclo operativo como las veces cuando la herramienta está apagada y cuando está funcionando en vacío además del tiempo de gatillo).

ENG900-1

Vibración

El valor total de la vibración (suma de vectores triaxiales) determinado de acuerdo con la norma EN62841-2-8:

Modo tarea: corte de chapa de acero

Emisión de vibración ($a_{h, CM}$): 5,5 m/s²

Error (K): 1,5 m/s²

NOTA:

- El valor (o los valores) total de emisión de vibración declarado ha sido medido de acuerdo con un método de prueba estándar y se puede utilizar para comparar una herramienta con otra.
- El valor (o los valores) total de emisión de vibración declarado también se puede utilizar en una valoración preliminar de exposición.

 ADVERTENCIA:

- **La emisión de vibración durante la utilización real de la herramienta eléctrica puede variar del valor (o los valores) de emisión declarado dependiendo de las formas en las que la herramienta sea utilizada, especialmente qué tipo de pieza de trabajo se procesa.**
- **Asegúrese de identificar medidas de seguridad para proteger al operario que estén basadas en una estimación de la exposición en las condiciones reales de utilización (teniendo en cuenta todas las partes del ciclo operativo como las veces cuando la herramienta está apagada y cuando está funcionando en vacío además del tiempo de gatillo).**

DECLARACIÓN CE DE CONFORMIDAD**Sólo para países europeos**

La declaración CE de conformidad está incluida como Anexo A de este manual de instrucciones.

Explicação geral

1	Indicador vermelho	9	Cabeça de corte	17	Gancho
2	Botão	10	Parafusos	18	Lâminas laterais
3	Bateria	11	Chave hexagonal	19	Superfície da lâmina lateral
4	Marca de estrela	12	Lâmina lateral E	20	Peça de trabalho
5	Luzes indicadoras	13	Lâmina central	21	Lubrificação
6	Botão de verificação	14	Lâmina lateral D		
7	Botão de bloqueio do gatilho	15	Manga		
8	Gatilho	16	Apertar		

ESPECIFICAÇÕES

Modelo		DJS130
Máxima capacidade de corte	Aço até 400 N/mm ²	1,3 mm (18 ga.)
	Aço inoxidável até 600 N/mm ²	1,0 mm (20 ga.)
Impactos por minuto (min ⁻¹)		3.000
Comprimento total		350 mm
Peso líquido		2,3 – 2,6 kg
Voltagem nominal		18 V CC

- Devido ao nosso programa contínuo de pesquisa e desenvolvimento, as características indicadas neste documento estão sujeitas a alterações sem aviso prévio.
- As especificações podem variar de país para país.
- O peso pode diferir dependendo do(s) acessório(s), incluindo a bateria. A combinação mais leve e mais pesada, de acordo com o Procedimento 01/2014 da EPTA (European Power Tool Association), são apresentadas na tabela.

Cartucho de bateria e carregador aplicáveis

Cartucho de bateria	BL1815N / BL1820 / BL1820B / BL1830 / BL1830B / BL1840 / BL1840B / BL1850 / BL1850B / BL1860B
Carregador	DC18RC / DC18RD / DC18RE / DC18SD / DC18SE / DC18SF

- Alguns dos cartuchos de bateria e carregadores listados acima podem não estar disponíveis, dependendo da sua região de residência.

⚠ AVISO: Utilize apenas os cartuchos de bateria e os carregadores listados acima. A utilização de qualquer outro cartucho de bateria e carregador pode provocar ferimentos e/ou incêndio.

ENE037-1

GEB067-1

Utilização a que se destina

Esta ferramenta foi concebida para cortar chapas de aço e de aço inoxidável.

GEA010-2

Avisos gerais de segurança para ferramentas eléctricas

⚠ AVISO! Leia todos os avisos de segurança, instruções, ilustrações e especificações fornecidos com esta ferramenta eléctrica. O não cumprimento de todas as instruções indicadas em baixo pode resultar em choque eléctrico, incêndio e/ou ferimentos graves.

Guarde todos os avisos e instruções para futuras referências.

O termo "ferramenta eléctrica" nos avisos refere-se às ferramentas eléctricas ligadas à corrente eléctrica (com cabo) ou às ferramentas eléctricas operadas por meio de bateria (sem cabo).

AVISOS DE SEGURANÇA PARA TESOURA A BATERIA

1. **Agarre na ferramenta firmemente.**
2. **Prenda a peça de trabalho firmemente.**
3. **Mantenha as mãos afastadas das partes móveis.**
4. **As extremidades e as aparas da peça de trabalho são afiadas. Utilize luvas. Recomenda-se que utilize sapatos fortes que ofereçam protecção para evitar injúrias.**
5. **Não ponha a ferramenta nas aparas da peça de trabalho. Se assim não for pode causar estragos e avarias na ferramenta.**
6. **Não deixe a ferramenta a funcionar. Só funcione com a ferramenta quando a está a agarrar.**
7. **Certifique-se sempre de que tem os pés bem assentes. Certifique-se de que ninguém está por baixo quando utiliza a ferramenta em locais altos.**
8. **Não toque na lâmina ou na peça de trabalho imediatamente depois da operação; podem estar extremamente quentes e queimar-se.**
9. **Evita cortar fios eléctricos. Pode causar acidentes graves com um choque eléctrico.**

GUARDE ESTAS INSTRUÇÕES.

AVISO:

NÃO permita que conforto ou familiaridade com o produto (adquirido com o uso repetido) substitua a aderência estrita às regras de segurança da ferramenta. **MÁ UTILIZAÇÃO** ou não cumprimento das regras de segurança indicadas neste manual de instruções pode causar danos pessoais graves.

ENC007-13

INSTRUÇÕES DE SEGURANÇA IMPORTANTES PARA A BATERIA

1. Antes de utilizar a bateria, leia todas as instruções e etiquetas de precaução no (1) carregador de bateria (2) bateria e (3) produto que utiliza a bateria.
2. Não abra a bateria.
3. Se o tempo de funcionamento se tornar excessivamente curto, pare o funcionamento imediatamente. Pode resultar em sobreaquecimento, possíveis queimaduras e mesmo explosão.
4. Se entrar eletrólito nos seus olhos, lave-os com água e consulte imediatamente um médico. Pode resultar em perda de visão.
5. Não coloque a bateria em curto-circuito:
 - (1) Não toque nos terminais com qualquer material condutor.
 - (2) Evite guardar a bateria juntamente com outros objetos metálicos tais como pregos, moedas, etc.
 - (3) Não exponha a bateria à água ou chuva. Um curto-circuito pode ocasionar um enorme fluxo de corrente, sobreaquecimento, possíveis queimaduras e mesmo estragar-se.
6. Não guarde a ferramenta e a bateria em locais onde a temperatura pode atingir ou exceder 50°C.
7. Não queime a bateria mesmo que esteja estragada ou completamente gasta. A bateria pode explodir no fogo.
8. Tenha cuidado para não deixar cair ou dar pancadas na bateria.
9. Não utilize uma bateria danificada.
10. As baterias de íões de lítio contidas na ferramenta são sujeitas aos requisitos da DGL (Dangerous Goods Legislation - Legislação de bens perigosos).

Para o transporte comercial, por exemplo, por terceiros ou agentes de expedição, têm de ser observados os requisitos referentes à embalagem e etiquetagem.

Para preparação do artigo a ser expedido, é necessário consultar um perito em materiais perigosos. Tenha ainda em conta a possibilidade de existirem regulamentos nacionais mais detalhados.

Coloque fita-cola ou tape os contactos abertos e embale a bateria de tal forma que não possa mover-se dentro da embalagem.
11. Quando eliminar a bateria, remova-a da ferramenta e elimine-a num local seguro. Siga os regulamentos locais relacionados com a eliminação de baterias.
12. Utilize as baterias apenas com os produtos especificados pela Makita. Instalar as baterias em produtos não-conformes poderá resultar num incêndio, calor excessivo, explosão ou fuga de eletrólito.
13. Se a ferramenta não for utilizada durante um período de tempo prolongado, a bateria deve ser removida da ferramenta.

GUARDE ESTAS INSTRUÇÕES.

PRECAUÇÃO:

- Utilize apenas baterias genuínas da Makita. A utilização de baterias não genuínas da Makita ou de baterias que foram alteradas, pode resultar no rebentamento da bateria provocando incêndios, ferimentos pessoais e danos. Além disso, anulará da garantia da Makita no que se refere à ferramenta e ao carregador Makita.

Conselhos para manter a máxima vida útil da bateria

1. Carregue a bateria antes que esteja completamente descarregada. Pare sempre o funcionamento da ferramenta e carregue a bateria quando notar menos poder na ferramenta.
2. Nunca carregue uma bateria completamente carregada. Carregamento excessivo diminui a vida útil da bateria.
3. Carregue a bateria à temperatura ambiente de 10°C – 40°C. Deixe que uma bateria quente arrefeça antes de a carregar.
4. Carregue a bateria se não a utilizar durante um longo período de tempo (mais de seis meses).

DESCRIÇÃO FUNCIONAL

PRECAUÇÃO:

- Certifique-se sempre de que a ferramenta está desligada e a bateria retirada antes de regular ou verificar qualquer função na ferramenta.

Instalar ou retirar a bateria (Fig. 1)

- Desligue sempre a ferramenta antes de instalar ou retirar a bateria.
- Para retirar a bateria, desloque-a da ferramenta deslizando o botão na parte da frente da bateria.
- Para instalar a bateria, alinhe a lingueta na bateria com a ranhura na armação e deslize-a para o seu lugar. Coloque-a sempre completamente até que faça um clique no seu lugar. Se conseguir ver o indicador vermelho no lado superior do botão, não está completamente trancada. Coloque-a completamente até que não possa ver o indicador vermelho. Se assim não for, pode acidentalmente cair da ferramenta ferindo-o a si ou alguém próximo.
- Não utilize força quando instala a bateria. Se a bateria não deslizar facilmente é porque não foi colocada correctamente.

Sistema de protecção da bateria (Bateria de íões de lítio com a marca de estrela) (Fig. 2)

As baterias de íões de lítio com a marca de estrela são equipadas com um sistema de protecção. Este sistema desactiva o consumo de energia automaticamente a fim de prolongar a vida útil da bateria.

A ferramenta para automaticamente durante o funcionamento se a mesma e/ou bateria se encontrar em uma das seguintes circunstâncias:

- Sobrecarregada:

A ferramenta está a ser usada de forma que está puxando corrente elevada de mais.

Nesse caso, liberte o gatilho do interruptor e pare a operação que provocou a sobrecarga da ferramenta. Em seguida, aperte o gatilho outra vez para ligar.













Se a ferramenta não ligar, a bateria está superaquecida. Nesse caso, aguarde até a bateria arrefecer antes de apertar o gatilho outra vez.

- Baixa tensão da bateria:
A carga restante da bateria está baixa demais e a ferramenta não funciona. Nesse caso, retire a bateria e recarregue-a.

Indicação da capacidade restante da bateria (Fig. 3)

Apenas para as baterias com o indicador

Prima o botão de verificação no cartucho da bateria para indicar a capacidade restante da bateria. As luzes indicadoras acendem durante alguns segundos.

Luzes indicadoras			Capacidade restante
 Acesa	 Apagada	 A piscar	
			75% a 100%
			50% a 75%
			25% a 50%
			0% a 25%
			Carregue a bateria.
			A bateria pode ter tido uma avaria.
			

015658

NOTA:

- Dependendo das condições de utilização e da temperatura ambiente, a indicação pode diferir ligeiramente da capacidade real.

Ação do interruptor (Fig. 4)

PRECAUÇÃO:

- Antes de instalar a bateria na ferramenta, verifique sempre se o gatilho do interruptor funciona normalmente e volta para a posição de desligado quando libertado.
- Se não for utilizar a ferramenta, carregue no botão de bloqueio do lado B para bloquear o gatilho na posição de desligado.

O botão de bloqueio do gatilho é providenciado para evitar o accionamento accidental do gatilho do interruptor. Para ligar a ferramenta, empurre o botão de bloqueio do lado A e carregue no gatilho.

Liberte o gatilho para parar. Depois de utilizar, sempre carregue no botão de bloqueio do lado B.

ASSEMBLAGEM

PRECAUÇÃO:

- Certifique-se sempre de que a ferramenta está desligada e a bateria retirada antes de regular ou verificar qualquer função na ferramenta.

Substituição das lâminas

PRECAUÇÃO:

- Nunca retire as lâminas sem ter as mãos protegidas. Use luvas. Se assim não for pode aleijar-se.

Retirar a cabeça de corte (Fig. 5)

Utilize a chave hexagonal para soltar os três parafusos que prendem a cabeça de corte. Puxe a cabeça de corte direto para fora, para a retirar, enquanto a roda alternadamente para a esquerda e para a direita.

Retirar as lâminas de podar (Fig. 6)

Retire os três parafusos que prendem a cabeça de corte. Quando retira o segundo parafuso tenha cuidado para que a manga não caia. Assim as lâminas podem ser retiradas facilmente. Quando retira as lâminas, agarre nas lâminas e na manga de modo a que não caiam da cabeça de corte.

Instalar as lâminas de podar (Fig. 7)

Coloque a manga e aperte os três parafusos depois de colocar a lâmina de centro e as lâminas laterais E e D na cabeça de corte. Neste processo, as cabeças dos parafusos devem estar salientes 2 – 3 mm da superfície da cabeça de corte.

Se apertar excessivamente os parafusos não conseguirá instalar a cabeça de corte na ferramenta.

Instalar a cabeça de corte (Fig. 8)

PRECAUÇÃO:

- Prenda a cabeça de corte firmemente. Se assim não for pode rodar durante a operação e pode causar injúrias graves.

Coloque a cabeça de corte na ferramenta enquanto a roda alternadamente para a esquerda e para a direita. Em seguida aperte os três parafusos com a chave hexagonal.

Armazenamento da chave hexagonal (Fig. 9)

Quando não estiver em utilização, guarde a chave hexagonal como ilustrado para não perdê-la.

Gancho (Fig. 10)

O gancho é conveniente para pendurar temporariamente a ferramenta, e pode ser instalado em qualquer um dos lados da mesma.

Para remover o gancho, abra-o pressionando as suas extremidades direitas NOS DOIS LADOS nas direcções da seta (1) e levante-o na direcção da seta (2).

OPERAÇÃO

PRECAUÇÃO:

- As extremidades e as aparas da peça de trabalho são afiadas. Utilize luvas. Se assim não for pode aleijar-se.

Prenda a peça de trabalho firmemente. Movimente a ferramenta para a frente mantendo as lâminas laterais alinhadas com a superfície de trabalho. (Fig. 11 e 12)

Regulação da lâmina de podar (Fig. 13)

Regule a lâmina lateral E de modo a que o material desperdiçado não entre em contacto com a cabeça de corte ou com a peça de trabalho. Utilize a chave hexagonal para soltar os três parafusos que prendem a cabeça de corte. Desloque a lâmina lateral E para trás e para a frente para a regular. Em seguida aperte os três parafusos com a chave hexagonal.

MANUTENÇÃO

PRECAUÇÃO:

- Certifique-se sempre de que a ferramenta está desligada e a bateria retirada antes de tentar executar qualquer inspeção ou manutenção.
- Nunca utilize gasolina, benzina, diluente, álcool ou produtos semelhantes. Pode ocorrer a descoloração, deformação ou rachaduras.

Para manter a SEGURANÇA e a FIABILIDADE do produto, as reparações, a inspeção e substituição das escovas de carvão e qualquer outra manutenção ou ajuste devem ser levados a cabo pelos centros de assistência autorizados ou pelos centros de assistência de fábrica Makita, utilizando sempre peças de substituição Makita.

Lubrificação (Fig. 14)

Antes da operação, lubrifique o ponto de contacto da lâmina central e das lâminas laterais E/D. E lubrifique também o ponto da lâmina central perto da cabeça de corte. Para manter bom rendimento de corte, utilize de vez em quando lubrificante durante operação.

ACESSÓRIOS OPCIONAIS

PRECAUÇÃO:

- Estes acessórios ou peças são os recomendados para uso na ferramenta MAKITA especificada neste manual. A utilização de qualquer outro acessório ou peça pode apresentar o risco de ferimentos pessoais. Os acessórios ou peças devem ser utilizados de maneira adequada e apenas para os fins a que se destinam.

No caso de necessitar assistência para mais detalhes sobre estes acessórios, consulte o centro de assistência Makita local.

- Lâmina central
- Lâmina lateral D
- Lâmina lateral E
- Chave hexagonal
- Vários tipos de baterias genuínas da Makita e carregadores.
- Conjunto de cabeça de tesoura 16

NOTA:

- Alguns itens da lista podem estar incluídos na embalagem da ferramenta como acessórios padrão. Eles podem variar de país para país.

ENG905-1

Ruído

A característica do nível de ruído A determinado de acordo com EN62841-2-8:

Nível de pressão de som (L_{pA}): 74 dB (A)

Variabilidade (K): 3 dB (A)

O nível de ruído durante o trabalho pode exceder 80 dB (A).

ENG907-1

NOTA:

- O(s) valor(es) da emissão de ruído indicado(s) foi medido de acordo com um método de teste padrão e pode ser utilizado para comparar duas ferramentas.
- O(s) valor(es) da emissão de ruído indicado(s) pode também ser utilizado na avaliação preliminar da exposição.

⚠ AVISO:

- Utilize protectores auriculares.
- A emissão de ruído durante a utilização real da ferramenta eléctrica pode diferir do(s) valor(es) indicado(s), dependendo das formas como a ferramenta é utilizada, especialmente o tipo de peça de trabalho que é processada.
- Certifique-se de identificar as medidas de segurança para protecção do operador que sejam baseadas em uma estimativa de exposição em condições reais de utilização (considerando todas as partes do ciclo de operação, tal como quando a ferramenta está desligada e quando está a funcionar em marcha lenta além do tempo de accionamento).

ENG900-1

Vibração

O valor total da vibração (soma vectorial tri-axial) determinado conforme EN62841-2-8:

Modo de funcionamento: cortar chapa de metal

Emissão de vibração ($a_{h,CM}$): 5,5 m/s²

Variabilidade (K): 1,5 m/s²

ENG901-2

NOTA:

- O(s) valor(es) total(ais) de vibração indicado(s) foi medido de acordo com um método de teste padrão e pode ser utilizado para comparar duas ferramentas.
- O(s) valor(es) total(ais) de vibração indicado(s) pode também ser utilizado na avaliação preliminar da exposição.

⚠ AVISO:

- A emissão de vibração durante a utilização real da ferramenta eléctrica pode diferir do(s) valor(es) indicado(s), dependendo das formas como a ferramenta é utilizada, especialmente o tipo de peça de trabalho que é processada.
- Certifique-se de identificar as medidas de segurança para protecção do operador que sejam baseadas em uma estimativa de exposição em condições reais de utilização (considerando todas as partes do ciclo de operação, tal como quando a ferramenta está desligada e quando está a funcionar em marcha lenta além do tempo de accionamento).

DECLARAÇÃO DE CONFORMIDADE CE

Apenas para países europeus

A declaração de conformidade da CE está incluída no Anexo A deste manual de instruções.

Illustrationsoversigt

1 Rød indikator	9 Klippehoved	17 Krog
2 Knap	10 Skruer	18 Sidekniv
3 Akku	11 Unbrakonøgle	19 Overflade på sidekniv
4 Stjernemærkning	12 Sidekniv, venstre	20 Emne
5 Indikatorlamper	13 Centerkniv	21 Smør
6 Kontrolknap	14 Sidekniv, højre	
7 Afbryder-låseknop	15 Foring	
8 Afbryder	16 Stram	

SPECIFIKATIONER

	Model	DJS130
Maks. klippekapa- citet	Stål op til 400 N/mm ²	1,3 mm (18 ga.)
	Rustfrit stål op til 600 N/mm ²	1,0 mm (20 ga.)
Slag per minut (min ⁻¹)		3 000
Længde		350 mm
Vægt		2,3 – 2,6 kg
Spænding		DC 18 V

- På grund af vores kontinuerlige forskningsprogrammer og udvikling, kan hosstående specifikationer blive ændret uden varsel.
- Specifikationer kan variere fra land til land.
- Vægten kan variere afhængigt af tilbehøret, inklusive akkuen. Den letteste og tungeste kombination, i henhold til EPTA-Procedure 01/2014, er vist i tabellen.

Anvendelig akku og oplader

Akku	BL1815N / BL1820 / BL1820B / BL1830 / BL1830B / BL1840 / BL1840B / BL1850 / BL1850B / BL1860B
Oplader	DC18RC / DC18RD / DC18RE / DC18SD / DC18SE / DC18SF

- Nogle af ovenstående akkuer og opladere er muligvis ikke tilgængelige, afhængigt af hvilket område du bor i.

⚠ ADVARSEL: Du må kun anvende ovenstående akkuer og opladere. Brug af andre akkuer og opladere kan medføre personska-
de og/eller brand.

Tilsigtet anvendelse

Denne maskine er beregnet til skæring af pladestål og rustfri stålplader.

ENE037-1

GEA010-2

Almindelige sikkerhedsregler for el-værktøj

⚠ ADVARSEL! Læs alle de sikkerhedsadvarsler, instruktioner, illustrationer og specifikationer, der følger med denne maskine. Forsømmelse af at overholde alle nedenstående instruktioner kan medføre elektrisk stød, brand og/eller alvorlig personska-
de.

Gem alle advarsler og instruktioner til fremtidig reference.

Ordet "el-værktøj" i advarslerne henviser til det netforsy-
nede (netledning) el-værktøj eller batteriforsy-
nede (akku) el-værktøj.

GEB067-1

4. **Kanter på og skærespån fra emnet er skarpe. Bær handsker. Det anbefales også, at man i fører sig tyksålede sko for at forebygge tilskade-
komst.**
5. **Læg ikke maskinen oven på skærespån fra emnet. Det kan beskadige maskinen eller give anledning til andre problemer.**
6. **Læg aldrig maskinen fra Dem, mens den stadig kører. Lad den kun køre, mens den holdes i hæn-
derne.**
7. **Sørg altid for at have sikkert fodfæste. Sørg for, at der ikke befinder sig personer under arbejds-
stedet, når der arbejdes i højder.**
8. **Berør ikke knivene eller emnet lige efter at arbej-
det er udført. De kan være meget varme og give forbrændinger.**
9. **Undgå at klippe i elektriske ledninger. Det kan give elektrisk stød og føre til alvorlig tilskade-
komst.**

GEM DISSE FORSKRIFTER.

SIKKERHEDSFORSKRIFTER FOR AKKU-SAKS

1. **Hold godt fast på maskinen.**
2. **Spænd emnet godt fast.**
3. **Hold hænderne fra roterende dele.**

ADVARSEL:

LAD IKKE bekvemmelighed eller kendskab til produktet (opnået gennem gentagen brug) forhindre, at sikkerhedsforskrifterne for produktet nøje overholdes. MISBRUG eller forsømmelse af overholdelse af sikkerhedsforskrifterne i denne brugsvejledning kan resultere i alvorlig personskade.

ENC007-13

VIGTIGE SIKKERHEDSINSTRUKTIONER FOR AKKUEN

1. Læs alle instruktioner og advarselmærkater på (1) akku-opladeren, (2) akkuen og (3) produktet, som anvender akku.
2. Lad være med at skille akkuen ad.
3. Hold straks op med anvendelsen, hvis brugstiden er blevet stærkt afkortet. Fortsat anvendelse kan resultere i risiko for overophedning, forbrændinger og endog eksplosion.
4. Hvis De har fået elektrolytvæske i øjnene, skal De straks skylle den ud med rent vand og derefter øjeblikkeligt søge lægehjælp. I modsat fald kan De miste synet.
5. Vær påpasselig med ikke at komme til at kortslutte akkuen:
 - (1) Rør ikke ved terminalerne med noget ledende materiale.
 - (2) Undgå at opbevare akkuen i en beholder sammen med andre genstande af metal, for eksempel søm, mønter og lignende.
 - (3) Udsæt ikke akkuen for vand eller regn. Kortslutning af akkuen kan forårsage en kraftig øgning af strømmen, overophedning, mulige forbrændinger og endog værktøjstop.
6. Opbevar ikke værktøjet og akkuen på et sted, hvor temperaturen kan nå eller overstige 50 °C.
7. Lad være med at brænde akkuen, selv ikke i tilfælde, hvor den har lidt alvorlig skade eller er fuldstændig udtjent. Akkuen kan eksplodere, hvis man forsøger at brænde den.
8. Lad være med at brænde akkuen eller udsætte den for stød.
9. Anvend ikke en beskadiget akku.
10. De indbyggede litium-ion-batterier er underlagt lovkrav vedrørende farligt gods. Ved kommerciel transport, f.eks. af tredjeparts transportelskaber, skal særlige krav til forpakning og mærkning overholdes. Ved forberedelse af udstyret til forsendelse skal du kontakte en ekspert i farligt gods. Overhold også eventuel mere detaljeret national lovgivning. Tape eller tildæk åbne kontakter, og pak batteriet på en måde, så det ikke kan flytte sig rundt i pakningen.
11. Når akkuen bortskaffes, skal du fjerne den fra maskinen og bortskaffe den på et sikkert sted. Følg de lokale love vedrørende bortskaffelsen af batterier.
12. Brug kun batterierne med de produkter, som Makita specificerer. Hvis batterierne installeres i ikke-kompatible produkter, kan det medføre brand, kraftig varme, eksplosion eller udsivning af elektrolyt.
13. Hvis maskinen ikke skal bruges i længere tid ad gangen, skal du fjerne batteriet fra maskinen.

GEM DENNE BRUGSANVISNING.

FORSIGTIG:

- Brug kun originale batterier fra Makita. Brug af uoriginale Makita-batterier, eller batterier som er blevet ændret, kan muligvis medføre brud på batteriet, hvilket kan forårsage brand, personskade eller beskadigelse. Det ugyldiggør også Makita-garantien for Makita-maskinen og opladeren.

Tips til opnåelse af maksimal akku-levetid

1. Oplad akkuen, inden den er helt afladet. Stop altid værktøjet, og oplad akkuen, hvis De bemærker, at værktøjeffekten er aftagende.
2. Genoplad aldrig en fuldt opladet akku. Overopladning vil afkorte akkuens levetid.
3. Oplad akkuen ved stuetemperatur ved 10 °C – 40 °C. Lad altid en varm akku få tid til at køle af, inden den oplades.
4. Oplad akkuen, hvis De ikke skal bruge den i længere tid (mere end seks måneder).

FUNKTIONSBESKRIVELSE

FORSIGTIG:

- Sørg altid for at maskinen er slukket, og at akkuen er taget ud, før der udføres justering eller kontrol af funktioner på maskinen.

Isætning og udtagning af akku (Fig. 1)

- Sluk altid for maskinen, før akkuen sættes i eller tages ud.
- Akkuen fjernes ved at man skyder den ud af maskinen, mens man skyder knappen foran på akkuen i stilling.
- Isæt akkuen ved at rette dens tunge ind efter rillen i huset, hvorefter den skubbes på plads. Skyd derefter akkuen helt ind, til den låser på plads med et lille klik. Hvis den røde indikator på oversiden af knappen er synlig, er akkuen ikke låst korrekt. Skub akkuen helt ind, indtil den røde indikator ikke er synlig. Hvis akkuen ikke sættes i på denne måde, kan den ved et uheld falde ud af maskinen, og eventuelt forvolde personskade på Dem selv eller andre.
- Brug aldrig magt, når akkuen sættes i. Hvis ikke akkuen glider i uden besvær, er det fordi, at den vender forkert.

Akkubeskyttelsessystem (Lithium-ion-akku med stjernemærkning) (Fig. 2)

Lithium-ion-akkuer med en stjernemærkning er udstyret med et beskyttelsessystem. Dette system afbryder automatisk strømmen til maskinen for at forlænge akkulevetiden.

Maskinen stopper automatisk under anvendelsen, hvis maskinen og/eller akkuen udsættes for en af de følgende situationer:

- Overbelastet:

Maskinen anvendes på en sådan måde, at den bruger unormalt meget strøm. I denne situation skal du slippe afbryderen på maskinen og stoppe den anvendelse, som førte til overbelastning af maskinen. Tryk derefter afbryderen ind igen for at genstarte. Hvis maskinen ikke starter, er akkuen overophedet. I denne situation skal du lade akkuen køle af, inden du trykker afbryderen ind igen.
- Lav spænding på akkuen:

Den resterende kapacitet på akkuen er for lav, og maskinen vil ikke fungere. I denne situation skal du fjerne og oplade akkuen.

Angivelse den tilbageværende akku-kapacitet (Fig. 3)

Kun for akkuer med indikatoren

Tryk på kontrolknappen på akkuen for at angive den tilbageværende akku-kapacitet. Indikatorlamperne lyser i et par sekunder.

Indikatorlamper			Tilbageværende kapacitet
Tændt	Slukket	Blinker	
■	□	◐	
■ ■ ■ ■			75% til 100%
■ ■ ■ □			50% til 75%
■ ■ □ □			25% til 50%
■ □ □ □			0% til 25%
◐ □ □ □			Oplad akkuen.
■ ■ □ □	↑	↓	Akkuen kan have fungeret forkert.

015658

BEMÆRK:

- Afhængigt af brugsforholdene og den omgivende temperatur, kan indikeringen afvige en smule i forhold til den faktiske kapacitet.

Afbryderfunktion (Fig. 4)

FORSIGTIG:

- Inden akkuen sættes i maskinen, skal man altid kontrollere, at afbryderen fungerer korrekt og returnerer til stilling "OFF", når den slippes.
- Når maskinen anvendes, skal afbryder-låseknappen trykkes ned fra B-siden for at låse afbryderen i stilling "OFF".

Maskinen er udstyret med en afbryder-låseknop, som forhindrer utilsigtet anvendelse af afbryderen.

Maskinen startes ved at man trykker afbryder-låseknappen ind fra side A og trykker afbryderen ind.

Slip afbryderen for at stoppe. Efter brugen skal afbryder-låseknappen altid trykkes ind fra B-siden.

SAMLING

FORSIGTIG:

- Sørg altid for at maskinen er slukket, og at akkuen er taget ud, før der udføres justering eller kontrol af funktioner på maskinen.

Udskiftning af knive

FORSIGTIG:

- Afmonter aldrig knive med bare hænder. Bær handsker. Undlades dette, kan det medføre tilskadekomst.

Afmontering af klippehoved (Fig. 5)

Benyt unbrakonøglen til at løsne de tre skruer, der holder klippehovedet på plads. Træk klippehovedet af ved at trække det lige ud, mens det drejes eller vrikkes skiftevis til venstre og højre.

Afmontering af knive (Fig. 6)

Fjern de tre skruer, der holder klippehovedet på plads. Undgå omhyggeligt, at foringen falder ud under fjernelse af den anden skrue. Knivene kan nu let fjernes. Når knivene fjernes, skal knivene og foringen holdes, så de ikke falder ud af klippehovedet.

Montering af knive (Fig. 7)

Monter foringen og stram de tre skruer efter at centerkniven og sideknivene L og R (venstre og højre) er sat ind i klippehovedet. Efter udførelse af dette skal skruehovederne stikke 2 til 3 mm op fra overfladen på klippehovedet.

Hvis skrueerne skrues for meget i, kan klippehovedet ikke monteres på maskinen.

Montering af klippehoved (Fig. 8)

FORSIGTIG:

- Sørg for at klippehovedet sidder sikkert fast. Ellers kan det dreje under brugen og give anledning til alvorlig tilskadekomst.

Sæt klippehovedet på værktøjet ved at dreje eller vrikke det skiftevis til venstre og højre. Stram derefter de tre skruer med unbrakonøglen.

Opbevaring af unbrakonøgle (Fig. 9)

Når unbrakonøglen ikke anvendes, skal den anbringes som vist på illustrationen, så den ikke går tabt.

Bærekrog (Fig. 10)

Bærekrogen er bekvem til midlertidig ophængning af maskinen. Krogen kan monteres på begge sider af maskinen.

Når bærekrogen afmonteres, skal den gøres bredere ved at man trykker dens højre ender PÅ BEGGE SIDER i pilens retning (1) og hæver den i pilens retning (2).

BETJENING

FORSIGTIG:

- Kanter på og skærespån fra emnet er skarpe. Bær handsker. Undlades dette, kan det medføre tilskadekomst.

Spænd emnet godt fast. Før maskinen fremad med sideknivene holdt i plan med emnets overflade. (Fig. 11 og 12)

Justering af kniv (Fig. 13)

Justér sidekniven L, således at krøllen eller spånen, der udgøres af det afklippede materiale, ikke kommer i kontakt med klippehovedet eller emnet. Benyt unbrakonøglen til at løsne de tre skruer, der holder klippehovedet. Flyt sidekniven L frem eller tilbage for at justere dens position. Stram derefter de tre skruer med unbrakonøglen.

VEDLIGEHOLDELSE

FORSIGTIG:

- Sørg altid for at maskinen er slukket, og at akkuen er taget ud, før der udføres eftersyn eller vedligeholdelse på maskinen.

- Anvend aldrig benzin, rensbenzin, fortynder, alkohol og lignende. Resultatet kan blive misfarvning, deformation eller revner.

For at opretholde produktets SIKKERHED og PÅLIDELIGHED må reparation, inspektion og udskiftning af kulbørster samt al anden vedligeholdelse eller justering kun udføres af et autoriseret Makita servicecenter eller fabrikkerservicecenter med anvendelse af Makita reservedele.

Smøring (Fig. 14)

For anvendelse skal kontaktpunktet mellem centerkniven og sideknivene H/L smøres. Smør også punktet på centerkniven nær klippehovedet. For at opnå et godt klippe-resultat, bør der også smøres af og til under brugen.

EKSTRAUDSTYR

FORSIGTIG:

- Det i denne manual specificerede tilbehør og anordninger anbefales til brug sammen med Deres Makita maskine. Brug af andet tilbehør og andre anordninger kan udgøre en risiko for personskade. Anvend kun tilbehør og anordninger til de beskrevne formål.

Hvis De behøver assistance eller yderligere detaljer om dette tilbehør, bedes De kontakte Deres lokale Makita servicecenter.

- Centerkniv
- Sidekniv, højre
- Sidekniv, venstre
- Unbrakonøgle
- Forskellige typer ægte akkuer og opladere fra Makita
- Skærehovede 16 sæt

BEMÆRK:

- Nogle ting på denne liste kan være inkluderet i værktøjspakken som standardtilbehør. Det kan være forskellige fra land til land.

ENG905-1

Lyd

Det typiske A-vægtede støjniveau bestemt i overensstemmelse med EN62841-2-8:

Lydtryksniveau (L_{pA}): 74 dB (A)
Usikkerhed (K): 3 dB (A)

Støjniveauet under arbejde kan overstige 80 dB (A).

ENG907-1

BEMÆRK:

- De(n) angivne støjemissionsværdi(er) er målt i overensstemmelse med en standardtestmetode og kan anvendes til at sammenligne en maskine med en anden.
- De(n) angivne støjemissionsværdi(er) kan også anvendes i en præliminær eksponeringsvurdering.

⚠ ADVARSEL:

- **Bær høreværn.**
- **Støjemissionen under den faktiske anvendelse af maskinen kan være forskellig fra de(n) angivne værdi(er), afhængigt af den måde hvorpå maskinen anvendes, især den type arbejdsemne der behandles.**
- **Sørg for at identificere de sikkerhedsforskrifter til beskyttelse af operatøren, som er baseret på en vurdering af eksponering under de faktiske brugsforhold (med hensyntagen til alle dele i brugscyklussen, f.eks. de gange, hvor maskinen er slukket, og når den kører i tomgang i tilgift til afbrydertiden).**

Vibration

Vibrations totalværdi (tre-aksial vektorsum) bestemt i overensstemmelse med EN62841-2-8:

Arbejdsindstilling: skæring af pladestål
Vibrationsafgivelse ($a_{h, CM}$): 5,5 m/s²
Usikkerhed (K): 1,5 m/s²

ENG901-2

BEMÆRK:

- De(n) angivne totalværdi(er) for vibration er målt i overensstemmelse med en standardtestmetode og kan anvendes til at sammenligne en maskine med en anden.
- De(n) angivne totalværdi(er) for vibration kan også anvendes i en præliminær eksponeringsvurdering.

⚠ ADVARSEL:

- **Vibrationsemissionen under den faktiske anvendelse af maskinen kan være forskellig fra de(n) angivne værdi(er), afhængigt af den måde hvorpå maskinen anvendes, især den type arbejdsemne der behandles.**
- **Sørg for at identificere de sikkerhedsforskrifter til beskyttelse af operatøren, som er baseret på en vurdering af eksponering under de faktiske brugsforhold (med hensyntagen til alle dele i brugscyklussen, f.eks. de gange, hvor maskinen er slukket, og når den kører i tomgang i tilgift til afbrydertiden).**

EF-KONFORMITETSERKLÆRING

Kun for lande i Europa

EF-konformitetserklæringen er inkluderet som Tillæg A til denne instruktionsvejledning.

Περιγραφή γενικής άποψης

1 Κόκκινη ένδειξη	9 Κοπτική κεφαλή	17 Άγκιστρο
2 Κουμπί	10 Βίδες	18 Πλευρικές λαβές
3 Κασέτα μπαταρίας	11 Εξαγωνικό κλειδί	19 Επιφάνεια πλευρικής λαβής
4 Ένδειξη αστεριού	12 Πλευρική λάμα L	20 Κομμάτι εργασίας
5 Ενδεικτικές λυχνίες	13 Κεντρική λάμα	21 Λάδωμα
6 Κουμπί ελέγχου	14 Πλευρική λάμα R	
7 Κουμπί ασφάλισης σκανδάλης	15 Μανίκι	
8 Σκανδάλη διακόπτης	16 Σφίξιμο	

ΤΕΧΝΙΚΑ ΧΑΡΑΚΤΗΡΙΣΤΙΚΑ

Μοντέλο		DJS130
Μέγιστες δυνατότητες κοπής	Ατσάλι μέχρι 400 N/mm ²	1,3 χιλ. (18 ga.)
	Ανοξείδωτο ατσάλι έως 600 N/mm ²	1,0 χιλ. (20 ga.)
Στροφές ανά λεπτό (min ⁻¹)		3.000
Ολικό μήκος		350 χιλ.
Καθαρό βάρος		2,3 – 2,6 Χγρ.
Καθορισμένο βολτάζ		D.C. 18 V

- Λόγω του συνεχιζόμενου προγράμματος έρευνας και ανάπτυξης, οι παρούσες προδιαγραφές υπόκεινται σε αλλαγή χωρίς προειδοποίηση.
- Τα τεχνικά χαρακτηριστικά μπορεί να διαφέρουν από χώρα σε χώρα.
- Το βάρος μπορεί να διαφέρει ανάλογα με το(α) εξάρτημα(τα), συμπεριλαμβανομένης της κασέτας μπαταριών. Ο ελαφρύτερος και βαρύτερος συνδυασμός, σύμφωνα με τη διαδικασία ΕΡΤΑ 01/2014, παρουσιάζονται στον πίνακα.

Ισχύουσα κασέτα μπαταρίας και φορτιστής

Κασέτα μπαταρίας	BL1815N / BL1820 / BL1820B / BL1830 / BL1830B / BL1840 / BL1840B / BL1850 / BL1850B / BL1860B
Φορτιστής	DC18RC / DC18RD / DC18RE / DC18SD / DC18SE / DC18SF

- Μερικές από τις κασέτες μπαταρίας και φορτιστές που παρατίθενται ανωτέρω μπορεί να μην διατίθενται ανάλογα με την περιοχή κατοικίας σας.

⚠️ ΠΡΟΕΙΔΟΠΟΙΗΣΗ: Να χρησιμοποιείτε μόνο τις κασέτες μπαταρίας και φορτιστές που παρατίθενται ανωτέρω. Η χρήση οποιωνδήποτε άλλων κασετών μπαταρίας και φορτιστών μπορεί να προκαλέσει τραυματισμό ή/και πυρκαγιά.

ENE0037-1

GEB0067-1

Προοριζόμενη χρήση

Αυτό το εργαλείο προορίζεται για την κοπή ατσαλολαμαρίνας και ανοξείδωτης ατσαλολαμαρίνας.

GEA010-2

Γενικές προειδοποιήσεις ασφαλείας για το ηλεκτρικό εργαλείο

⚠️ ΠΡΟΕΙΔΟΠΟΙΗΣΗ Διαβάστε όλες τις προειδοποιήσεις ασφαλείας, οδηγίες, εικονογραφίες και προδιαγραφές που παρέχονται με αυτό το ηλεκτρικό εργαλείο. Η μη τήρηση όλων των οδηγιών που αναγράφονται κατωτέρω μπορεί να καταλήξει σε ηλεκτροπληξία, πυρκαγιά ή/και σοβαρό τραυματισμό.

Φυλάξτε όλες τις προειδοποιήσεις και τις οδηγίες για μελλοντική παρατομπή.

Στις προειδοποιήσεις, ο όρος “ηλεκτρικό εργαλείο” αναφέρεται σε ηλεκτρικό εργαλείο που τροφοδοτείται από την κύρια παροχή ηλεκτρικού ρεύματος (με ηλεκτρικό καλώδιο) ή σε ηλεκτρικό εργαλείο που τροφοδοτείται από μπαταρία (χωρίς ηλεκτρικό καλώδιο).

ΠΡΟΕΙΔΟΠΟΙΗΣΕΙΣ ΑΣΦΑΛΕΙΑΣ ΨΑΛΙΔΙΟΥ ΜΠΑΤΑΡΙΑΣ

1. Κρατάτε το μηχάνημα σταθερά.
2. Ασφαλίστε το κομμάτι εργασίας σταθερά.
3. Κρατείστε τα χέρια σας μακριά από κινούμενα μέρη.
4. Οι άκρες και τα μικροσωματίδια από το κομμάτι εργασίας είναι κοφτερά. Φοράτε γάντια. Ακόμη σας συμβολούμε να φοράτε παπούτσια με χοντρές σολές για να μην τραυματιστείτε.
5. Μην τοποθετείτε το μηχάνημα πάνω στα μικροσωματίδια από το κομμάτι εργασίας. Μπορεί να προκληθούν προβλήματα και ζημιές στο μηχάνημα.
6. Μην αφήνετε το μηχάνημα να λειτουργεί μόνο του. Να χρησιμοποιείτε το μηχάνημα μόνο όταν το κρατάτε.
7. Πάντοτε να είστε σίγουρος ότι πατάτε σταθερά. Σιγουρευτείτε ότι δεν βρίσκεται κανείς από κάτω σας όταν χρησιμοποιείτε το μηχάνημα σε υψηλές θέσεις.

8. Μην ακουμπάτε την λάμα ή το κομμάτι εργασίας αμέσως μετά την λειτουργία. Είναι πολύ ζεστά και πιθανώς θα κάψουν το δέρμα σας.
9. Αποφεύγετε να κόβετε ηλεκτρικά καλώδια. Θα μπορούσε να προκληθεί σοβαρό ατύχημα λόγω της ηλεκτροπληξίας.

ΦΥΛΑΞΤΕ ΤΙΣ ΟΔΗΓΙΕΣ ΑΥΤΕΣ.



ΠΡΟΕΙΔΟΠΟΙΗΣΗ:

ΜΗΝ επιτρέψετε το βαθμό άνεσης ή εξοικείωσης με το προϊόν (λόγω επανειλημμένης χρήσης) να αντικαταστήσει την αυστηρή τήρηση των κανόνων ασφαλείας του παρόντος εργαλείου. ΚΑΚΗ ΧΡΗΣΗ ή αμέλεια να ακολουθήσετε τους κανόνες ασφαλείας που περιγράφονται σ' αυτό το εγχειρίδιο οδηγιών μπορεί να προκαλέσει σοβαρό προσωπικό τραυματισμό.

ENC007-13

ΣΗΜΑΝΤΙΚΕΣ ΟΔΗΓΙΕΣ ΑΣΦΑΛΕΙΑΣ ΓΙΑ ΚΑΣΕΤΑ ΜΠΑΤΑΡΙΩΝ

1. Πριν χρησιμοποιήσετε την κασέτα μπαταριών, διαβάστε όλες τις οδηγίες και σημειώσεις προφύλαξης (1) στον φορτιστή μπαταριών, (2) στην μπαταρία και (3) στο προϊόν που χρησιμοποιεί την μπαταρία.
2. Μην αποσυναρμολογήσετε την κασέτα μπαταριών.
3. Εάν ο χρόνος λειτουργίας έχει γίνει υπερβολικά βραχύς, σταματήστε τη λειτουργία αμέσως. Αλλιώς, μπορεί να έχει ως αποτέλεσμα κίνδυνο υπερθέρμανσης, πιθανά εγκαύματα ή ακόμη και έκρηξη.
4. Εάν ηλεκτρολύτης μπει στα μάτια σας, ξεπλύνετε τα με καθαρό νερό και ζητήστε ιατρική φροντίδα αμέσως. Αλλιώς, μπορεί να έχει ως αποτέλεσμα απώλεια της όρασης σας.
5. Μη βραχυκυκλώνετε την κασέτα μπαταριών:
 - (1) Μην αγγίζετε τους πόλους με οτιδήποτε αγώγιμο υλικό.
 - (2) Αποφεύγετε να αποθηκεύετε την κασέτα μπαταριών μέσα σε ένα δοχείο μαζί με άλλα μεταλλικά αντικείμενα όπως καρφιά, νομίσματα, κλπ.
 - (3) Μην εκθέτετε την κασέτα μπαταριών στο νερό ή στη βροχή. Ένα βραχυκύκλωμα μπαταρίας μπορεί να προκαλέσει μεγάλη ροή ρεύματος, υπερθέρμανση, πιθανά εγκαύματα ακόμη και σοβαρή βλάβη.
6. Μην αποθηκεύετε το εργαλείο και την κασέτα μπαταριών σε τοποθεσίες όπου η θερμοκρασία μπορεί να φτάσει ή να ξεπεράσει τους 50°C.
7. Μην καίτε την κασέτα μπαταριών ακόμη και εάν έχει σοβαρή ζημιά ή είναι εντελώς φθαμένη. Η κασέτα μπαταριών μπορεί να εκραγεί στη φωτιά.
8. Προσέχετε να μη ρίξετε κάτω ούτε να χτυπήσετε την μπαταρία.
9. Μη χρησιμοποιείτε μπαταρία που έχει υποστεί ζημιά.
10. Οι μπαταρίες ιόντων λιθίου που περιέχονται υπόκεινται στις απαιτήσεις της νομοθεσίας για επικίνδυνα αγαθά.

Για εμπορικές μεταφορές, για παράδειγμα από τρίτα μέρη, πρέπει να τηρούνται οι διαμεταφορές, οι ειδικές απαιτήσεις στη συσκευασία και η επισήμανση.

Για προετοιμασία του στοιχείου που αποστέλλεται, είναι απαραίτητο να συμβουλευτείτε έναν ειδικό για επικίνδυνα υλικά. Επίσης, τηρήστε τους πιθανούς, πιο αναλυτικούς εθνικούς κανονισμούς. Καλύψτε με αυτοκόλλητη ταινία ή κρύψτε τις ανοικτές επαφές και συσκευάστε την μπαταρία με τρόπο που να μην μπορεί να μετακινείται μέσα στη συσκευασία.

11. Όταν απορρίπτετε την κασέτα μπαταριών, αφαιρέστε την από το εργαλείο και διαθέστε την σε ένα ασφαλές μέρος. Τηρήστε τους τοπικούς κανονισμούς που σχετίζονται με τη διάθεση της μπαταρίας.
12. Χρησιμοποιήστε τις μπαταρίες μόνο με τα προϊόντα που καθορίζει η Makita. Αν τοποθετήσετε τις μπαταρίες σε μη συμβατά προϊόντα μπορεί να έχει ως αποτέλεσμα πυρκαγιά, υπερβολική θερμότητα, έκρηξη ή διαρροή ηλεκτρολύτη.
13. Αν δεν χρησιμοποιείτε το εργαλείο για μεγάλο χρονικό διάστημα, πρέπει να βγάλετε την μπαταρία από το εργαλείο.

ΦΥΛΑΞΤΕ ΤΙΣ ΟΔΗΓΙΕΣ ΑΥΤΕΣ.

ΠΡΟΣΟΧΗ:

- Να χρησιμοποιείτε μόνο γνήσιες μπαταρίες της Makita. Η χρήση μη γνήσιων μπαταριών Makita, ή μπαταριών που έχουν τροποποιηθεί, μπορεί να έχει ως αποτέλεσμα τη ρήξη της μπαταρίας, προκαλώντας πυρκαγιά, προσωπικό τραυματισμό και βλάβη. Επίσης, θα ακυρωθεί η εγγύηση της Makita για το εργαλείο και φορτιστή Makita.

Συμβουλές για τη διατήρηση της μέγιστης ζωής μπαταρίας

1. Φορτίζετε την κασέτα μπαταριών πριν από την πλήρη αποφόρτιση της. Πάντοτε να σταματάτε τη λειτουργία του εργαλείου και να φορτίζετε την κασέτα μπαταριών όταν παρατηρήτε μειωμένη ισχύ εργαλείου.
2. Ποτέ μην επαναφορτίζετε μια πλήρως φορτισμένη κασέτα μπαταριών. Η υπερφόρτιση μειώνει την ωφέλιμη ζωή της μπαταρίας.
3. Να φορτίζετε την κασέτα μπαταριών σε θερμοκρασία δωματίου, δηλαδή στους 10°C έως 40°C. Αφήστε μια θερμή κασέτα μπαταριών να κρυώσει πριν την φορτίσετε.
4. Να φορτίζετε την κασέτα μπαταριών εάν δεν τη χρησιμοποιείτε για μεγάλη χρονική περίοδο (περισσότερο από έξι μήνες).

ΠΕΡΙΓΡΑΦΗ ΛΕΙΤΟΥΡΓΙΑΣ

ΠΡΟΣΟΧΗ:

- Πάντοτε να βεβαιώνετε ότι το εργαλείο είναι σβηστό και η κασέτα μπαταρίας έχει αφαιρεθεί πριν ρυθμίσετε ή ελέγξετε κάποια λειτουργία στο εργαλείο.

Τοποθέτηση ή αφαίρεση της κασέτας μπαταρίας (Εικ. 1)

- Πάντοτε να σβήνετε το εργαλείο πριν τοποθετήσετε ή αφαιρέσετε την κασέτα μπαταρίας.
- Για να αφαιρέσετε την κασέτα μπαταρίας, ολισθήστε την από το εργαλείο ενώ σύρετε το κουμπί στο εμπρόσθιο μέρος της κασέτας.

- Για να τοποθετήσετε την κασέτα μπαταρίας, ευθυγραμμίστε τη γλώσσα στην κασέτα μπαταρίας με την εσοχή στην υποδοχή και ολισθήστε την στη θέση της. Πάντοτε να την βάζετε πλήρως μέχρι να κλειδώσει, γεγονός που υποδηλώνεται με ένα χαρακτηριστικό ήχο. Εάν μπορείτε να δείτε την κόκκινη ένδειξη στην επάνω πλευρά του κουμπιού, δεν έχει κλειδώσει τελείως. Τοποθετήστε την πλήρως έτσι ώστε η κόκκινη ένδειξη να μην φαίνεται. Σε αντίθετη περίπτωση, ίσως πέσει κατά λάθος από το μηχανήμα, τραυματίζοντας εσάς ή κάποιον τριγύρω σας.
- Μη χρησιμοποιείτε δύναμη όταν εισάγετε την κασέτα μπαταρίας. Εάν η κασέτα δεν γλιστράει μέσα εύκολα, δεν εισάγεται με τον σωστό τρόπο.

Σύστημα προστασίας μπαταρίας (μπαταρία ιόντων λιθίου με ένδειξη αστεριού) (Εικ. 2)

Οι μπαταρίες ιόντων λιθίου με ένδειξη αστεριού είναι εξοπλισμένες με σύστημα προστασίας. Αυτό το σύστημα αποκτάει αυτόματα την ισχύ προς το εργαλείο για να παραταθεί η διάρκεια λειτουργίας της. Το εργαλείο σταματάει αυτόματα κατά τη διάρκεια της λειτουργίας εάν το εργαλείο ή/και η μπαταρία βρεθούν κάτω από τις παρακάτω συνθήκες:

- Υπερφόρτιση:

Το εργαλείο λειτουργεί με τρόπο ώστε να αναγκάζεται να καταναλώνει ασυνήθιστα υψηλό ρεύμα.

Σε αυτή την κατάσταση, αφήστε τη σκανδάλη διακόπτη και διακόψτε την εφαρμογή που προκαλεί την υπερφόρτιση του εργαλείου. Στη συνέχεια, τραβήξτε ξανά τη σκανδάλη διακόπτη για επανεκκίνηση.

Εάν το εργαλείο δεν ξεκινάει, η μπαταρία έχει υπερθερμανθεί. Σε αυτή την κατάσταση, αφήστε την μπαταρία να ψυχθεί πριν τραβήξετε ξανά τη σκανδάλη διακόπτη.

- Χαμηλή τάση μπαταρίας:

Η υπόλοιπη χωρητικότητα μπαταρίας είναι πολύ χαμηλή και το εργαλείο δεν λειτουργεί. Σε αυτή την κατάσταση, αφαιρέστε και επαναφορτίστε την μπαταρία.

Ένδειξη της υπόλοιπης χωρητικότητας της μπαταρίας (Εικ. 3)

Μόνο για κασέτες μπαταριών με την ένδειξη

Πίστετε το κουμπί ελέγχου στην κασέτα μπαταρίας για να υποδείξετε την υπόλοιπη χωρητικότητα της μπαταρίας. Οι ενδεικτικές λυχνίες ανάβουν για λίγα δευτερόλεπτα.

Ενδεικτικές λυχνίες			Υπόλοιπη χωρητικότητα
Αναμμένες	Σβηστές	Αναβο-σβήνει	
■ ■ ■ ■ ■			75% έως 100%
■ ■ ■ ■ □			50% έως 75%
■ ■ ■ □ □			25% έως 50%
■ □ □ □			0% έως 25%

Ενδεικτικές λυχνίες			Υπόλοιπη χωρητικότητα
Αναμμένες	Σβηστές	Αναβο-σβήνει	
	■ □ □ □		Φορτίστε την μπαταρία.
■ ■ □ □	□ □ ■ ■		Μπορεί να προέκυψε δυσλειτουργία στην μπαταρία.

015658

ΠΑΡΑΤΗΡΗΣΗ:

- Ανάλογα με τις συνθήκες χρήσης και τη θερμοκρασία περιβάλλοντος, η ένδειξη μηρσης να διαφέρει λίγο από την πραγματική χωρητικότητα.

Λειτουργία διακόπτη (Εικ. 4)

ΠΡΟΣΟΧΗ:

- Πριν από την εισαγωγή κασέτας μπαταρίας στο εργαλείο, να ελέγχετε πάντα ότι η σκανδάλη ενεργοποίησης σκανδάλης στην πλευρά Β για να πιστρώσει στη θέση "OFF" όταν απελευθερώνεται.
- Όταν δεν χειρίζεστε το εργαλείο, πίεστε το κουμπί ασφάλισης σκανδάλης στην πλευρά Β για να ασφαλίσετε τη σκανδάλη διακόπτη στη θέση "OFF".

Για να αποτραπεί τυχαία έλξη της σκανδάλης ενεργοποίησης, παρέχεται το κουμπί ασφάλισης.

Για να ενεργοποιήσετε το εργαλείο, πίεστε το κουμπί ασφάλισης σκανδάλης στην πλευρά Α και ακολούθως πίεστε τη σκανδάλη ενεργοποίησης.

Για διακοπή της λειτουργίας, απελευθερώστε τη σκανδάλη ενεργοποίησης. Μετά από τη χρήση, να πιέζετε πάντα προς τα μέσα το κουμπί ασφάλισης σκανδάλης στην πλευρά Β.

ΣΥΝΑΡΜΟΛΟΓΗΣΗ

ΠΡΟΣΟΧΗ:

- Πάντοτε βεβαιώνετε ότι το εργαλείο είναι σβηστό και η κασέτα μπαταρίας έχει αφαιρεθεί πριν ρυθμίσετε ή ελέγξετε κάποια λειτουργία στο εργαλείο.

Αντικατάσταση λάμας

ΠΡΟΣΟΧΗ:

- Ποτέ μην απομακρύνετε τις λάμες με γυμνά χέρια. Φοράτε γάντια. Αλλιώς μπορεί να τραυματιστείτε.

Απομάκρυνση της κοπτικής κεφαλής (Εικ. 5)

Χρησιμοποιήστε το εξαγωνικό κλειδί για να χαλαρώσετε τις τρεις βίδες που συγκρατούν την κοπτική κεφαλή. Τραβήξτε την κοπτική κεφαλή ίσια προς τα έξω ενώ την γυρνάτε εναλλακτικά προς τα αριστερά και τα δεξιά.

Απομάκρυνση λάμας ψαλιδίσματος (Εικ. 6)

Απομακρύνετε τις τρεις βίδες που συγκρατούν την κοπτική κεφαλή. Όταν απομακρύνετε την δεύτερη βίδα, προσέξτε να μην πέσει το μανίκι. Έπειτα οι λάμες μπορούν να απομακρυνθούν εύκολα. Όταν απομακρύνετε τις λάμες, κρατάτε τις λάμες και το περίβλημα έτσι ώστε να μην πέσουν από την κοπτική κεφαλή.

Τοποθέτηση των λαμών ψαλιδίσματος (Εικ. 7)

Τοποθετήστε το μανίκι και σφίξτε τις τρεις βίδες αφού τοποθετήσετε την κεντρική λάμα και την πλευρική λάμα L & R στην κοπτική κεφαλή. Σε αυτή την διαδικασία, οι κεφαλές των βιδών θα πρέπει να προεξέχουν 2 – 3 χιλιοστά από την επιφάνεια της κοπτικής κεφαλής. Εάν σφίξετε τις βίδες πάρα πολύ, η κοπτική κεφαλή δεν μπορεί να εγκατασταθεί στο μηχανήμα.

Τοποθέτηση της κοπτικής κεφαλής (Εικ. 8)

ΠΡΟΣΟΧΗ:

- Σφίξτε την κοπτική κεφαλή καλά. Αλλιώς μπορεί να περιστρέφεται κατά τη διάρκεια της λειτουργίας και να προκαλέσει σοβαρό τραυματισμό.

Βάλτε την κοπτική κεφαλή στο μηχανήμα γυρνώντας την αριστερά και δεξιά εναλλάξ. Έπειτα σφίξτε τις τρεις βίδες με το εξαγωνικό κλειδί.

Χώρος φύλαξης εξαγωνικού κλειδιού (Εικ. 9)

Όταν δεν χρησιμοποιείτε το εξαγωνικό κλειδί, να το φυλάσσετε όπως υποδεικνύεται στην εικόνα, ώστε να μην υπάρχει περίπτωση να χαθεί.

Άγκιστρο μεταφοράς (Εικ. 10)

Το άγκιστρο μεταφοράς διευκολύνει την περιστασιακή ανάρτηση του εργαλείου. Μπορεί να τοποθετηθεί σε οποιαδήποτε από τις δύο πλευρές του εργαλείου. Κατά την αφαίρεση του άγκιστρου μεταφοράς, διευρύνετε πιέζοντας τα δεξιά άκρα του ΚΑΙ ΣΤΙΣ ΔΥΟ ΠΛΕΥΡΕΣ κατά τη φορά των βελών (1) και ανασηκώστε το κατά τη φορά του βέλους (2).

ΛΕΙΤΟΥΡΓΙΑ

ΠΡΟΣΟΧΗ:

- Οι άκρες και τα μικροσωματίδια από το κομμάτι εργασίας είναι κοφτερά. Φοράτε γάντια. Αλλιώς μπορεί να τραυματιστείτε.

Ασφαλίστε το κομμάτι εργασίας σταθερά. Μετακινήστε το μηχανήμα προς τα εμπρός κρατώντας τις πλευρικές λάμες επίπεδες με την επιφάνεια του κομματιού εργασίας. (Εικ. 11 και 12)

Ρύθμιση στις λάμες ψαλιδίσματος (Εικ. 13)

Ρυθμίστε την πλευρική λάμα L έτσι ώστε η συστροφή από το άρρηστο υλικό να μην έρχεται σε επαφή με την κοπτική κεφαλή ή με το κομμάτι εργασίας. Χρησιμοποιήστε το εξαγωνικό κλειδί για να χαλαρώσετε τις τρεις βίδες που συγκρατούν την κοπτική κεφαλή. Μετακινήστε την πλευρική λάμα L προς τα εμπρός και προς τα πίσω για να την ρυθμίσετε. Έπειτα σφίξτε τις τρεις βίδες με το εξαγωνικό κλειδί.

ΣΥΝΤΗΡΗΣΗ

ΠΡΟΣΟΧΗ:

- Πάντοτε βεβαιώνετε ότι το εργαλείο είναι σβηστό και η κασέτα μπαταρίας έχει αφαιρεθεί πριν επιχειρήσετε να κάνετε έλεγχο ή συντήρηση.
- Μην χρησιμοποιείτε ποτέ βενζίνη, πετρελαϊκό αιθέρα, διαλυτικό, αλκοόλη ή παρόμοιες ουσίες. Ενδέχεται να προκληθεί αποχρωματισμός, παραμόρφωση ή ρωγμές.

Για να διατηρήσετε την ΑΣΦΑΛΕΙΑ και ΑΞΙΟΠΙΣΤΙΑ του προϊόντος, οι επισκευές, έλεγχος και αντικατάσταση καρβουνακιού, καθώς και οποιαδήποτε άλλη εργασία συντήρησης ή ρύθμισης πρέπει να εκτελούνται από εξουσιοδοτημένα ή εργοστασιακά κέντρα εξυπηρέτησης της Makita, πάντα χρησιμοποιώντας ανταλλακτικά της Makita.

Λάδωμα (Εικ. 14)

Πριν από τη χρήση, λαδώστε το σημείο επαφής στην κεντρική λάμα και στις πλευρικές λάμες R/L. Επιπλέον, λαδώστε το σημείο της κεντρικής λάμης που βρίσκεται κοντά στην κοπτική κεφαλή. Για να διατηρήσετε καλή απόδοση κοπής, χρησιμοποιείτε λιπαντικό κατά διαστήματα και κατά τη διάρκεια της λειτουργίας.

ΠΡΟΑΙΡΕΤΙΚΑ ΕΞΑΡΤΗΜΑΤΑ

ΠΡΟΣΟΧΗ:

- Αυτά τα εξαρτήματα ή προσαρτήματα συνιστώνται για χρήση με το εργαλείο Μάκιτα που περιγράφηκε στις οδηγίες αυτές. Η χρήση οποιδήποτε άλλων εξαρτημάτων ή προσαρτημάτων μπορεί να προκαλέσει κίνδυνο τραυματισμού σε άτομα. Χρησιμοποιήστε τα εξαρτήματα ή προσαρτήματα μόνο για την χρήση που προορίζονται.

Εάν χρειάζεστε οποιαδήποτε βοήθεια για περισσότερες πληροφορίες σε σχέση με αυτά τα εξαρτήματα, απευθυνθείτε στο τοπικό σας κέντρο εξυπηρέτησης Μάκιτα.

- Κεντρική λάμα
- Πλευρική λάμα R
- Πλευρική λάμα L
- Εξαγωνικό κλειδί
- Διάφοροι τύποι αυθεντικών μπαταριών και φορτιστών Μάκιτα™
- Κεφαλή ψαλιδιού πάχους 16

ΠΑΡΑΤΗΡΗΣΗ:

- Μερικά στοιχεία στη λίστα μπορεί να συμπεριλαμβάνονται στη συσκευασία εργαλείου ως στάνταρ εξαρτήματα. Μπορεί να διαφέρουν ανάλογα με τη χώρα.

ENG905-1

Θορύβος

Το τυπικό Α επίπεδο μετρημένου θορύβου καθορίζεται σύμφωνα με το EN62841-2-8:

Στάθμη πίεσης ήχου (L_{pA}): 74 dB (A)

Αβεβαιότητα (K): 3 dB (A)

Η ένταση ήχου υπο συνθήκες εργασίας μπορεί να υπερβεί τα 80 dB (A).

ENG907-1

ΠΑΡΑΤΗΡΗΣΗ:

- Η δηλωμένη τιμή(ές) εκπομπής θορύβου έχει μετρηθεί σύμφωνα με την πρότυπη μέθοδο δοκιμής και μπορεί να χρησιμοποιηθεί για τη σύγκριση ενός εργαλείου με κάποιο άλλο.
- Η δηλωμένη τιμή(ές) εκπομπής θορύβου μπορεί να χρησιμοποιηθεί και στην προκαταρκτική αξιολόγηση της έκθεσης.

⚠ ΠΡΟΕΙΔΟΠΟΙΗΣΗ:

- **Να φοράτε υποασπίδες.**
- **Η εκπομπή θορύβου κατά τη χρήση του ηλεκτρικού εργαλείου σε πραγματικές συνθήκες μπορεί να διαφέρει από τη δηλωμένη τιμή(ές) ανάλογα με τους τρόπους χρήσης του εργαλείου, ιδιαίτερα ο είδος του τεμαχίου εργασίας που υπόκειται επεξεργασία.**
- **Φροντίστε να λάβετε τα κατάλληλα μέτρα προστασίας του χειριστή βάσει ενός υπολογισμού της έκθεσης σε πραγματικές συνθήκες χρήσης (λαμβάνοντας υπόψη όλες τις συνιστώσες του κύκλου λειτουργίας όπως τους χρόνους που το εργαλείο είναι εκτός λειτουργίας και όταν βρίσκεται σε αδρανή λειτουργία πέραν του χρόνου ενεργοποίησης).**

Κραδασμός

Η ολική τιμή δόνησης (άθροισμα τρι-αξονικού διανύσματος) καθορίζεται σύμφωνα με το EN62841-2-8:

Είδος εργασίας: κοπή ατσαλοαμαρίνας

Εκπομπή δόνησης ($a_{h, CM}$): 5,5 m/s²

Αβεβαιότητα (K): 1,5 m/s²

Για τις ευρωπαϊκές χώρες μόνο

Η δήλωση συμμόρφωσης ΕΚ περιλαμβάνεται ως Παράρτημα Α σε αυτό το χειρίδιο οδηγιών.

ΠΑΡΑΤΗΡΗΣΗ:

- Η δηλωμένη τιμή(ές) συνολικών κραδασμών έχει μετρηθεί σύμφωνα με την πρότυπη μέθοδο δοκιμής και μπορεί να χρησιμοποιηθεί για τη σύγκριση ενός εργαλείου με κάποιο άλλο.
- Η δηλωμένη τιμή(ές) συνολικών κραδασμών μπορεί να χρησιμοποιηθεί και στην προκαταρκτική αξιολόγηση της έκθεσης.

 ΠΡΟΕΙΔΟΠΟΙΗΣΗ:

- Η εκπομπή κραδασμών κατά τη χρήση του ηλεκτρικού εργαλείου σε πραγματικές συνθήκες μπορεί να διαφέρει από τη δηλωμένη τιμή(ές) εκπομπής ανάλογα με τους τρόπους χρήσης του εργαλείου, ιδιαίτερα το είδος του τεμαχίου εργασίας που υπόκειται επεξεργασία.
- Φροντίστε να λάβετε τα κατάλληλα μέτρα προστασίας του χειριστή βάσει ενός υπολογισμού της έκθεσης σε πραγματικές συνθήκες χρήσης (λαμβάνοντας υπόψη όλες τις συνιστώσες του κύκλου λειτουργίας όπως τους χρόνους που το εργαλείο είναι εκτός λειτουργίας και όταν βρίσκεται σε αδρανή λειτουργία πέραν του χρόνου ενεργοποίησης).

Makita Europe N.V. Jan-Baptist Vinkstraat 2,
3070 Kortenberg, Belgium

Makita Corporation 3-11-8, Sumiyoshi-cho,
Anjo, Aichi 446-8502 Japan