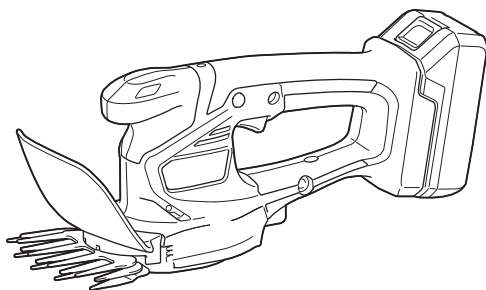
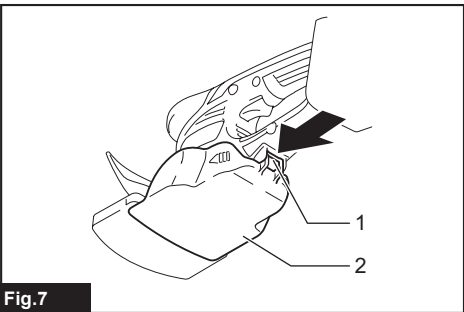
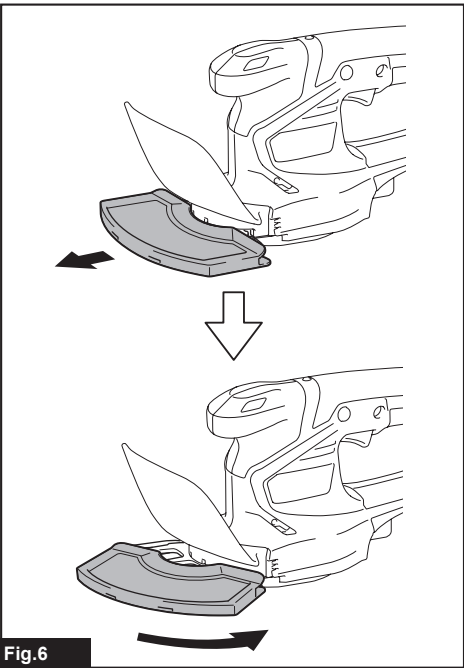
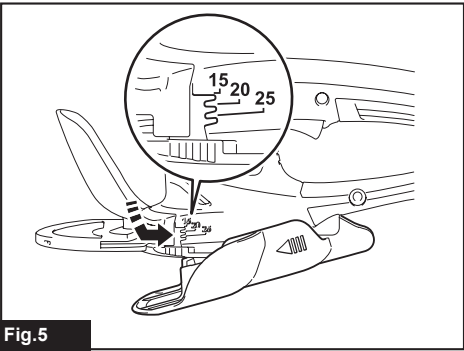
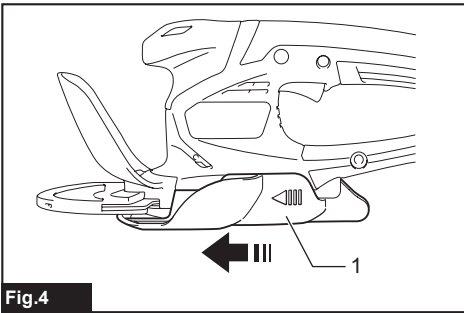
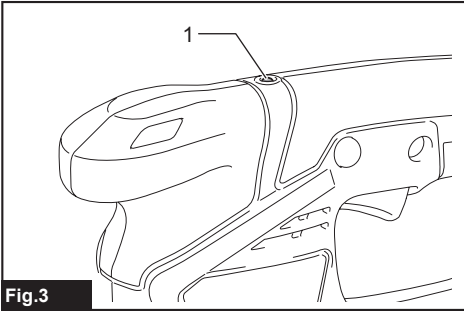
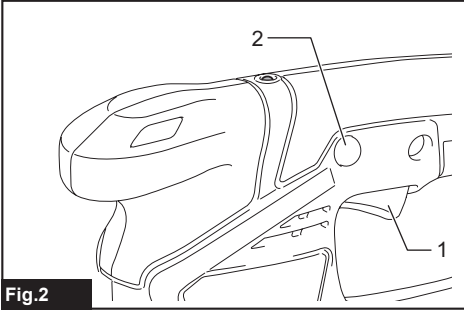
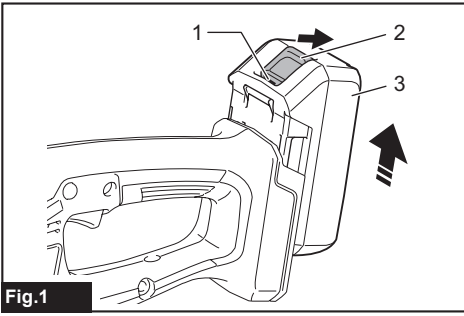




<b>EN</b>	<b>Cordless Grass Shear</b>	<b>INSTRUCTION MANUAL</b>	<b>9</b>
<b>FR</b>	<b>Taille-Herbes sans Fil</b>	<b>MANUEL D'INSTRUCTIONS</b>	<b>19</b>
<b>DE</b>	<b>Akku-Grasschere</b>	<b>BETRIEBSANLEITUNG</b>	<b>30</b>
<b>IT</b>	<b>Cesoie tagliaerba a batteria</b>	<b>ISTRUZIONI PER L'USO</b>	<b>42</b>
<b>NL</b>	<b>Accugrasschaar</b>	<b>GEBRUIKSAANWIJZING</b>	<b>53</b>
<b>ES</b>	<b>Tijeras Inalámbricas para Hierba</b>	<b>MANUAL DE INSTRUCCIONES</b>	<b>64</b>
<b>PT</b>	<b>Tesoura para Grama a Bateria</b>	<b>MANUAL DE INSTRUÇÕES</b>	<b>75</b>
<b>DA</b>	<b>Akku græsclipper</b>	<b>BRUGSANVISNING</b>	<b>86</b>
<b>EL</b>	<b>Φορητό κουρευτικό γκαζόν</b>	<b>ΕΓΧΕΙΡΙΔΙΟ ΟΔΗΓΙΩΝ</b>	<b>96</b>
<b>TR</b>	<b>Akülü Çim Makası</b>	<b>KULLANMA KILAVUZU</b>	<b>107</b>

## UM110D





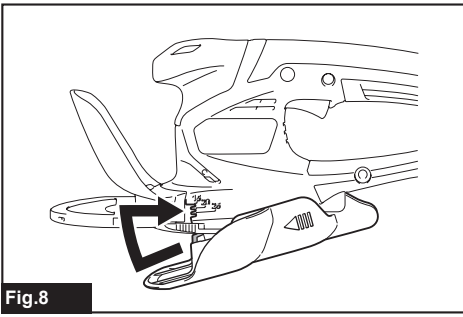


Fig.8

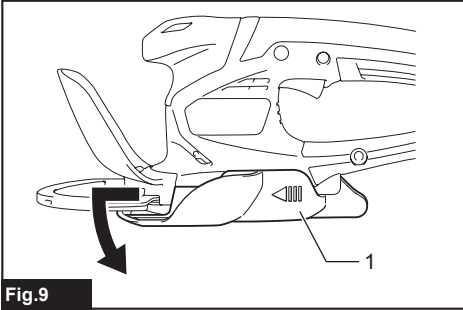


Fig.9

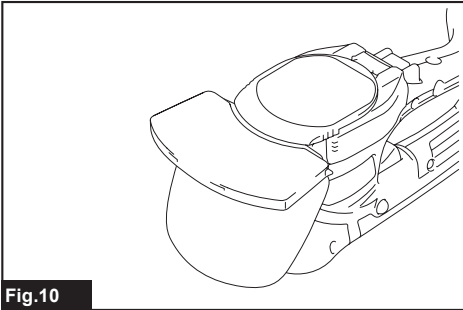


Fig.10

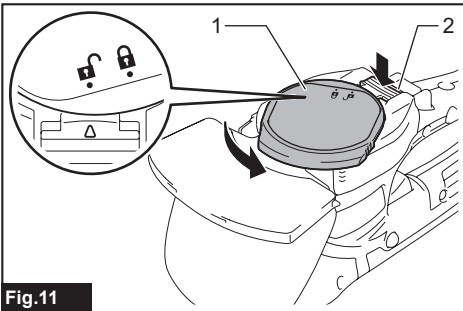


Fig.11

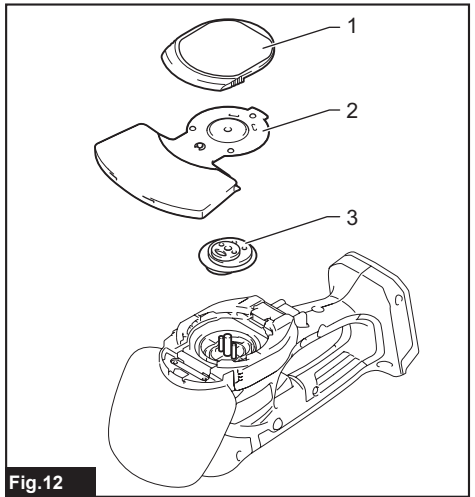


Fig.12

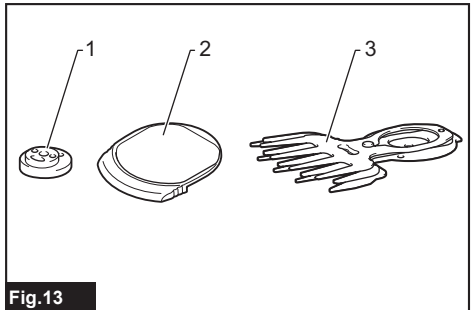


Fig.13

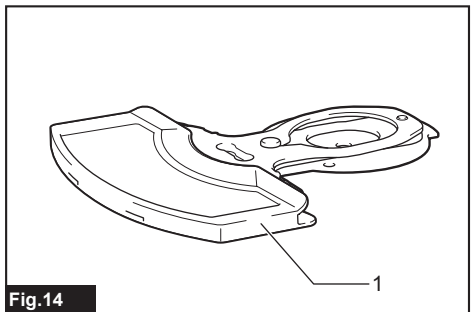


Fig.14

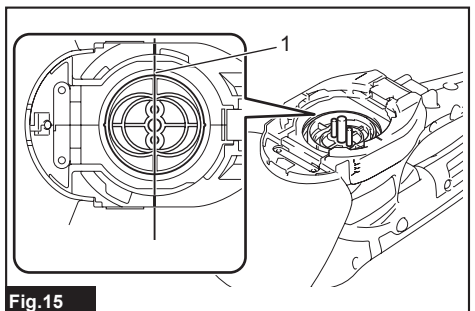
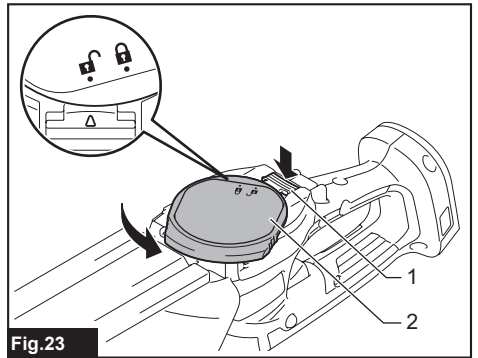
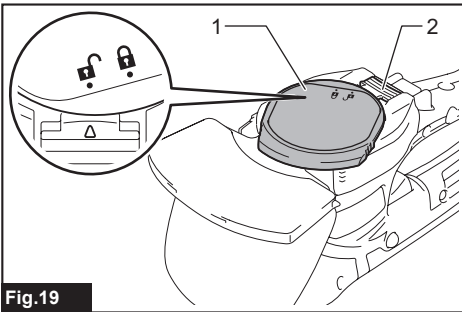
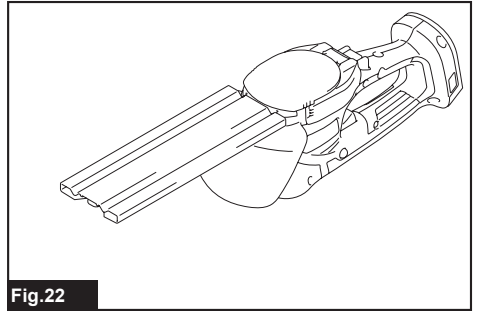
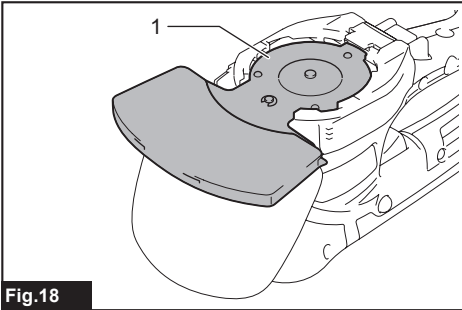
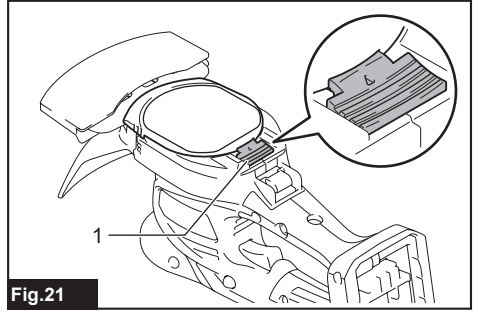
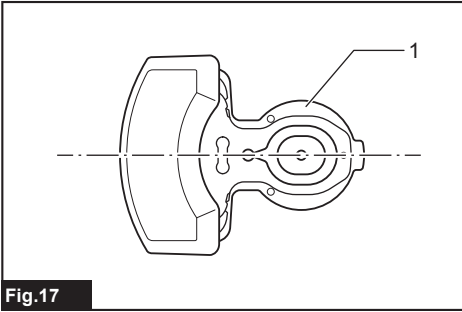
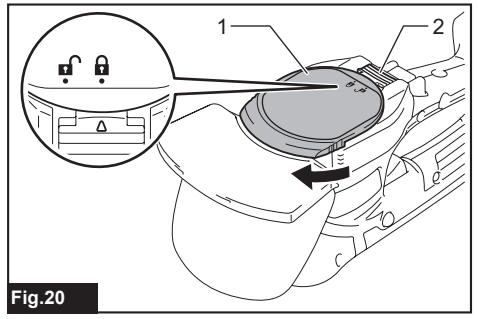
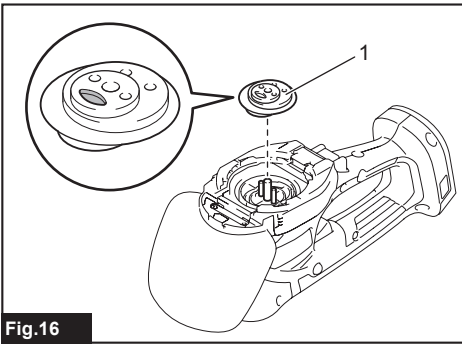
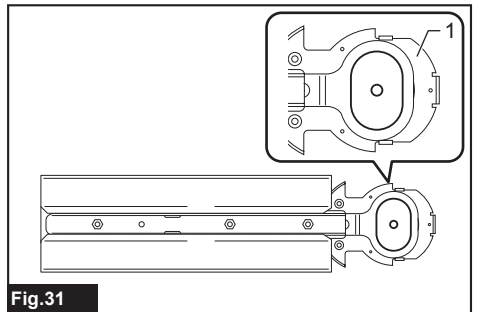
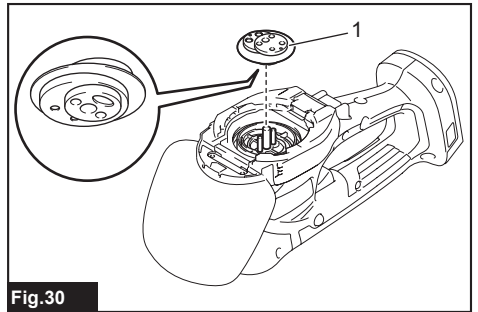
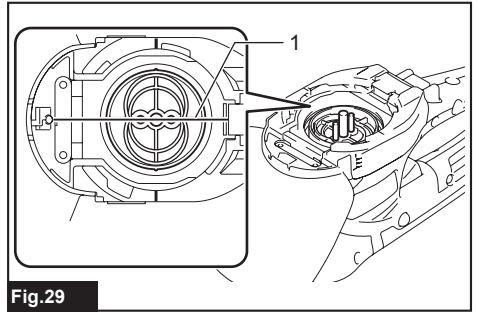
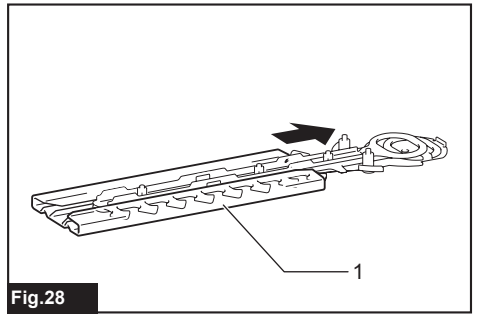
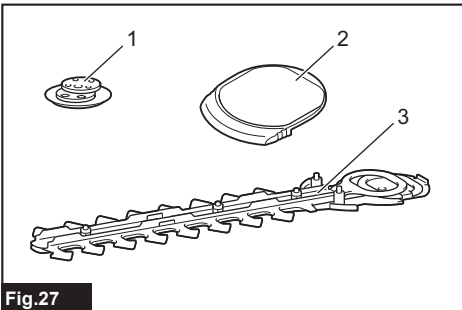
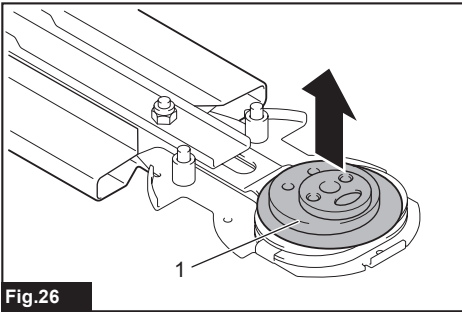
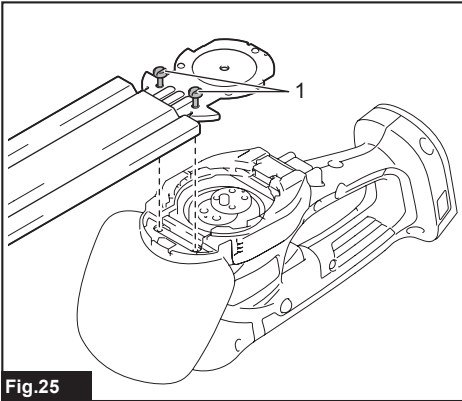
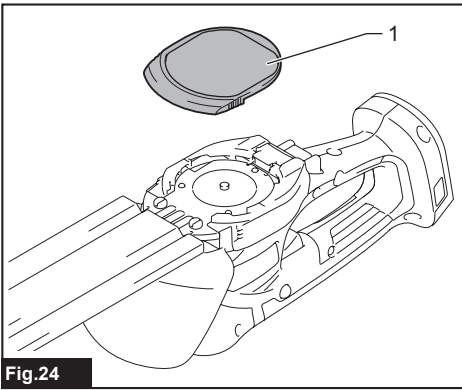


Fig.15





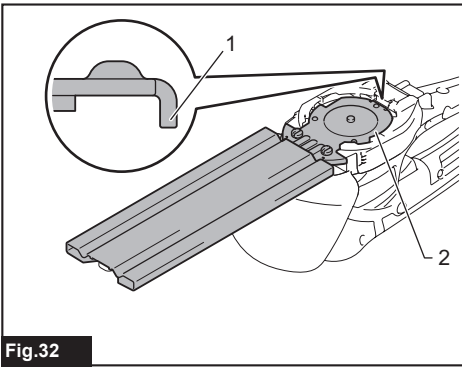


Fig.32

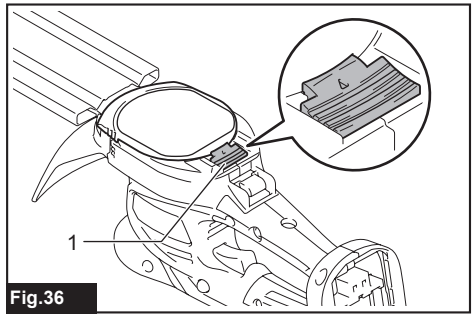


Fig.36

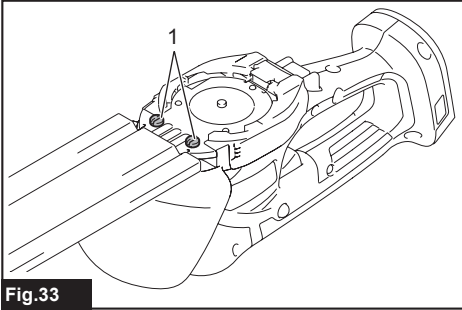


Fig.33

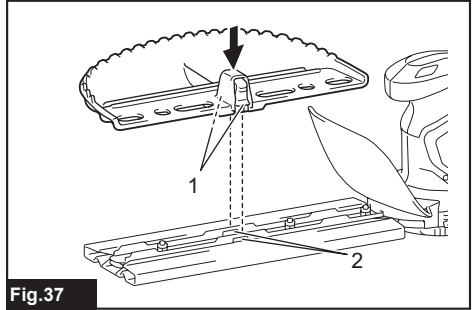


Fig.37

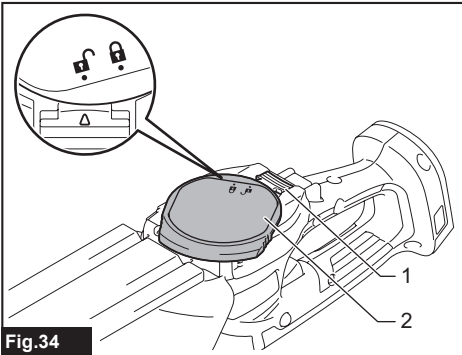


Fig.34

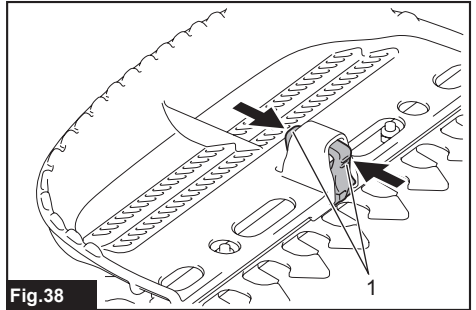


Fig.38

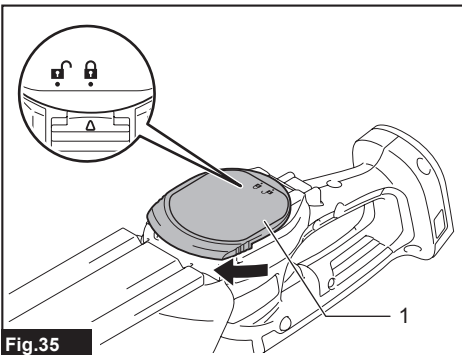


Fig.35



Fig.39

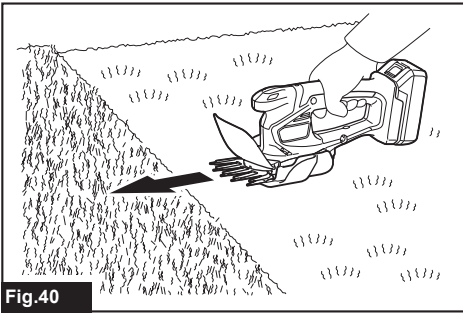


Fig.40

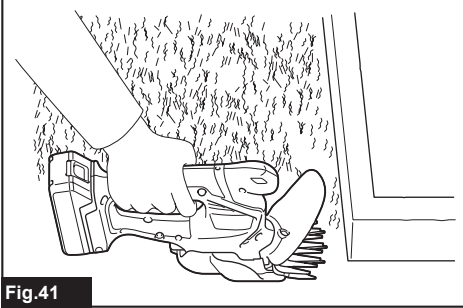


Fig.41

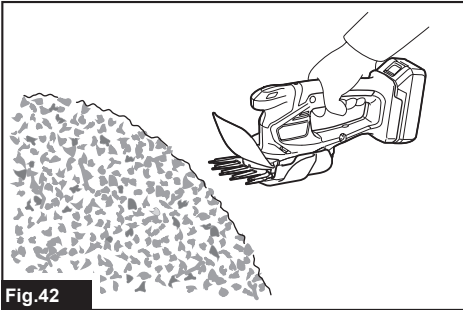


Fig.42

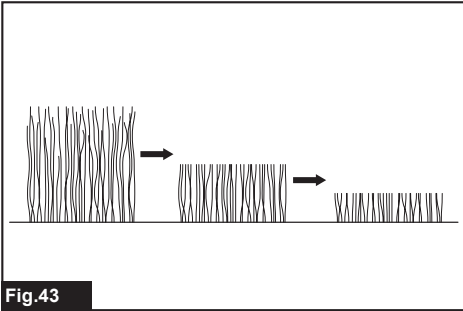


Fig.43

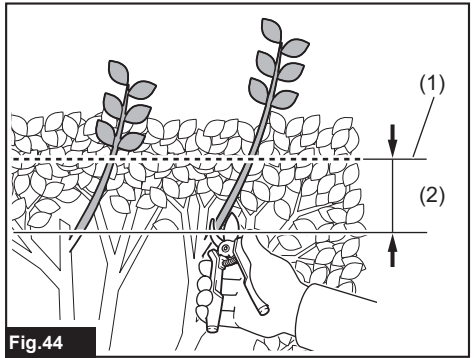


Fig.44

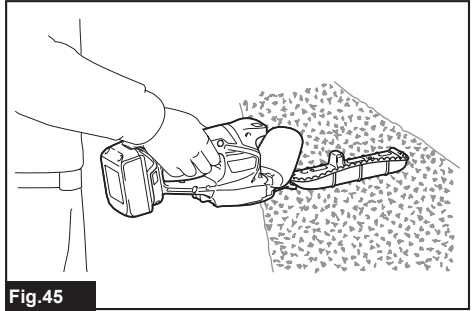


Fig.45

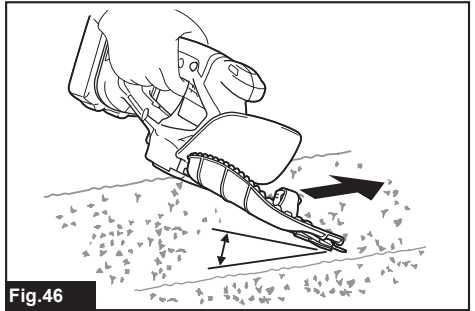


Fig.46

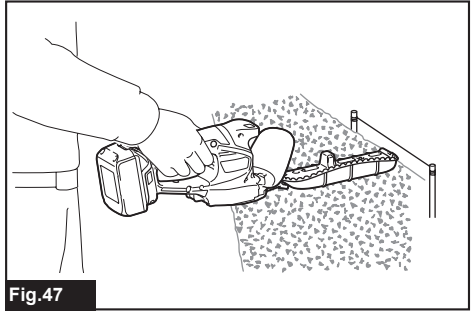


Fig.47

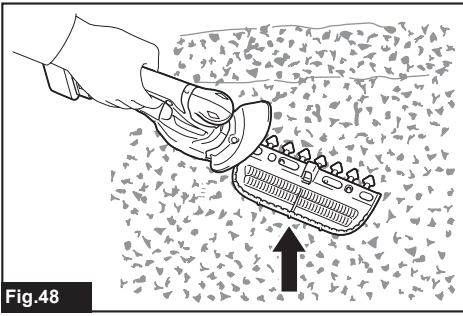


Fig.48

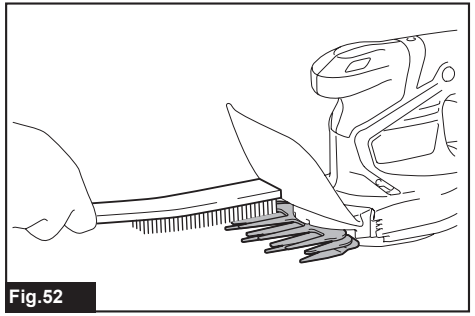


Fig.52

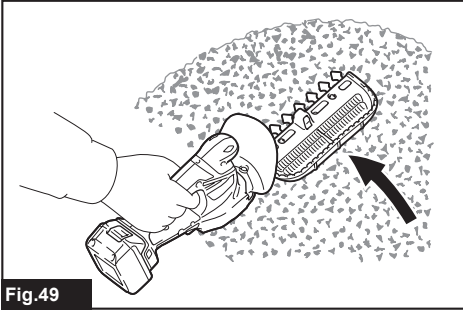


Fig.49

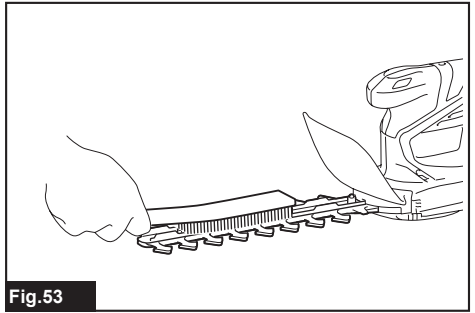


Fig.53

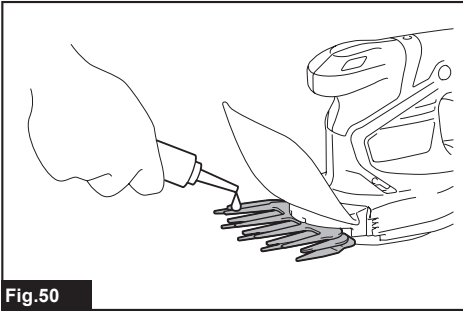


Fig.50

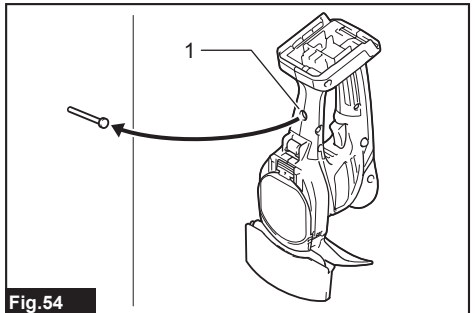


Fig.54

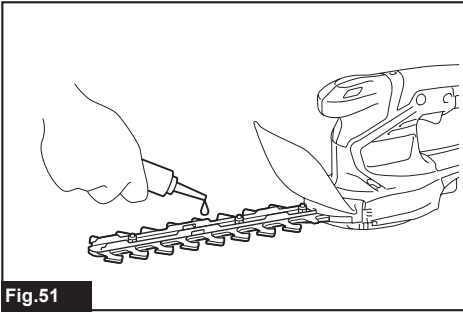


Fig.51

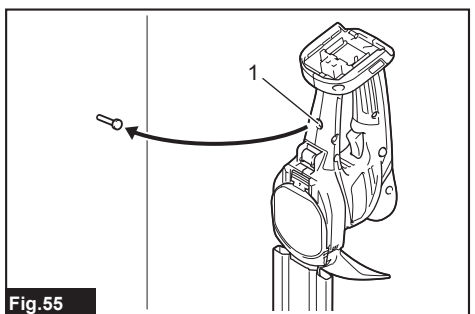


Fig.55



# SPECIFICATIONS

<b>Model:</b>		<b>UM110D</b>
Cutting width		110 mm
Strokes per minute		2,500 min <sup>-1</sup>
Part number of replacement shear blades	Grass shear	191N23-4, 195267-4
	Hedge trimmer	191N24-2, 198408-1
Dimensions (L x W x H)		331 mm x 120 mm x 130 mm
Rated voltage		D.C. 18 V
Net weight		1.4 kg - 1.5 kg

- Due to our continuing program of research and development, the specifications herein are subject to change without notice.
- Specifications and battery cartridge may differ from country to country.
- The weight may differ depending on the attachment(s), including the battery cartridge. The lightest and heaviest combinations, according to EPTA-Procedure 01/2014, are shown in the table.

## Applicable battery cartridge and charger

Battery cartridge	BL1813G / BL1815G
Charger	DC18WA

- Some of the battery cartridges and chargers listed above may not be available depending on your region of residence.

**⚠ WARNING: Only use the battery cartridges and chargers listed above.** Use of any other battery cartridges and chargers may cause injury and/or fire.

## Symbols

The followings show the symbols which may be used for the equipment. Be sure that you understand their meaning before use.

	Take particular care and attention.
	Read instruction manual.
	Danger; be aware of thrown objects.
	Keep bystanders away.
	Cutting means continues to run after the motor is switched off.
	Do not expose to moisture.
	Wear safety glasses.
	DANGER - Keep hands away from blade.



Only for EU countries  
Due to the presence of hazardous components in the equipment, waste electrical and electronic equipment, accumulators and batteries may have a negative impact on the environment and human health. Do not dispose of electrical and electronic appliances or batteries with household waste!

In accordance with the European Directive on waste electrical and electronic equipment and on accumulators and batteries and waste accumulators and batteries, as well as their adaptation to national law, waste electrical equipment, batteries and accumulators should be stored separately and delivered to a separate collection point for municipal waste, operating in accordance with the regulations on environmental protection. This is indicated by the symbol of the crossed-out wheeled bin placed on the equipment.



Guaranteed sound power level according to EU Outdoor Noise Directive.



Sound power level according to Australia NSW Noise Control Regulation

## Intended use

The tool is intended for cutting lawn edges or sprouts.

## Noise

The typical A-weighted noise level determined according to EN50636-2-94:

**UM110D with shear blade for grass shear installed**  
Sound pressure level ( $L_{pA}$ ) : 70 dB(A)  
Uncertainty (K) : 1.9 dB(A)

The noise level under working may exceed 80 dB (A).

The typical A-weighted noise level determined according to EN62841-4-2:

**UM110D with shear blade for hedge trimmer installed**

Sound pressure level ( $L_{pA}$ ) : 70 dB(A)  
Uncertainty (K) : 3 dB(A)

The noise level under working may exceed 80 dB (A).

**NOTE:** The declared noise emission value(s) has been measured in accordance with a standard test method and may be used for comparing one tool with another.

**NOTE:** The declared noise emission value(s) may also be used in a preliminary assessment of exposure.

**⚠ WARNING:** Wear ear protection.

**⚠ WARNING:** The noise emission during actual use of the power tool can differ from the declared value(s) depending on the ways in which the tool is used especially what kind of workpiece is processed.

**⚠ WARNING:** Be sure to identify safety measures to protect the operator that are based on an estimation of exposure in the actual conditions of use (taking account of all parts of the operating cycle such as the times when the tool is switched off and when it is running idle in addition to the trigger time).

## Vibration

The vibration total value (tri-axial vector sum) determined according to EN50636-2-94:

**UM110D with shear blade for grass shear installed**  
Vibration emission ( $a_n$ ) : 2.5 m/s<sup>2</sup> or less  
Uncertainty (K) : 1.5 m/s<sup>2</sup>

The vibration total value (tri-axial vector sum) determined according to EN62841-4-2:

**UM110D with shear blade for hedge trimmer installed**  
Vibration emission ( $a_n$ ) : 2.5 m/s<sup>2</sup> or less  
Uncertainty (K) : 1.5 m/s<sup>2</sup>

**NOTE:** The declared vibration total value(s) has been measured in accordance with a standard test method and may be used for comparing one tool with another.

**NOTE:** The declared vibration total value(s) may also be used in a preliminary assessment of exposure.

**⚠ WARNING:** The vibration emission during actual use of the power tool can differ from the declared value(s) depending on the ways in which the tool is used especially what kind of workpiece is processed.

**⚠ WARNING:** Be sure to identify safety measures to protect the operator that are based on an estimation of exposure in the actual conditions of use (taking account of all parts of the operating cycle such as the times when the tool is switched off and when it is running idle in addition to the trigger time).

## EC Declaration of Conformity

### For European countries only

The EC declaration of conformity is included as Annex A to this instruction manual.

## SAFETY WARNINGS

### General power tool safety warnings

**⚠ WARNING:** Read all safety warnings, instructions, illustrations and specifications provided with this power tool. Failure to follow all instructions listed below may result in electric shock, fire and/or serious injury.

### Save all warnings and instructions for future reference.

The term "power tool" in the warnings refers to your mains-operated (corded) power tool or battery-operated (cordless) power tool.

## Cordless Grass Shear Safety Warnings

### General instructions

1. To ensure correct operation, user has to read this instruction manual to make himself familiar with the handling of the equipment. Users insufficiently informed will risk danger to themselves as well as others due to improper handling.
2. Never allow children, persons with reduced physical, sensory or mental capabilities or lack of experience and knowledge or people unfamiliar with these instructions to use the machine, local regulations may restrict the age of the operator.
3. Use the equipment with the utmost care and attention.
4. Operate the equipment only if you are in good physical condition. Perform all work calmly and carefully. Use common sense and keep in mind that the operator or user is responsible for accidents or hazards occurring to other people or their property.
5. Never operate the machine while people, especially children, or pets are nearby.

6. The motor is to be switched off immediately in case that the equipment shows any problem or abnormal sign.
7. Switch off and remove the battery cartridge when resting and when leaving the equipment unattended, and place it in a safe location to prevent danger to others or damage to the equipment.
8. Avoid using the machine in bad weather conditions especially when there is a risk of lightning.
8. Inspect the cutting tool at short regular intervals for damage (detection of hairline cracks by means of tapping-noise test).
9. Before commencing cutting, the cutting tool must have reached full working speed.
10. The cutting tool has to be equipped with the appropriate guard. Never run the equipment with damaged guards or without guards in place!
11. All protective installations and guards supplied with the equipment must be used during operation.

#### Personal protective equipment

1. Wear eye protection and stout shoes at all times while operating the machine.
2. Always wear substantial footwear and long trousers while operating the machine.

#### Starting up the equipment

1. Make sure that there are no children or other people nearby, also pay attention to any animals in the working vicinity. Otherwise stop using the equipment.
2. Before use always check that the equipment is safe for operation. Check the security of the cutting tool and the guard and the switch trigger/lever for easy and proper action. Check for clean and dry handles and test the function of the start/stop.
3. Check damaged parts before further use of the equipment. A guard or other part that is damaged should be carefully checked to determine that it will operate properly and perform its intended function. Check for alignment of moving parts, binding of moving parts, breakage of parts, mounting, and any other condition that may affect its operation. A guard or other part that is damaged should be properly repaired or replaced by our authorized service center unless indicated elsewhere in this manual.
4. Switch on the motor only when the hands and feet are away from the cutting tool.
5. Before starting make sure that the cutting tool has no contact with any objects.
11. Always remove the battery cartridge from the equipment:
  - whenever leaving the equipment unattended;
  - before clearing a blockage;
  - before checking, cleaning or working on the equipment;
  - after striking a foreign object;
  - whenever the equipment starts vibrating abnormally.
12. Always ensure that the ventilation openings are kept clear of debris.
13. Cutting means continues to run after the motor is switched off.
14. If the blades stop moving due to the stuck of foreign objects between the blades during operation, switch off the tool and remove the battery cartridge, and then remove the foreign objects using tools such as pliers. Removing the foreign objects by hand may cause an injury for the reason that the blades may move in reaction to removing the foreign objects.

#### Cutting Tools

Employ only the correct cutting tool for the job in hand.

#### Maintenance instructions

1. The condition of the equipment, in particular of the cutting tool of the protective devices must be checked before commencing work.
2. Turn off the motor and remove the battery cartridge before carrying out maintenance, replacing cutting tools or cleaning the equipment or cutting tool.
3. When not in use, store the equipment indoors in dry and high or locked-up place - out of the reach of children. Clean and maintain before storage.

#### Method of operation

1. Only use the equipment in good light and visibility. During the winter season beware of slippery or wet areas, ice and snow (risk of slipping). Always ensure a safe footing on slopes and be sure to walk and never run.
2. Take care against injury to feet and hands from the cutting tool.
3. Never stand on a ladder and run the equipment.
4. Never climb up into trees to perform cutting operation with the equipment.
5. Never work on unstable surfaces.
6. Remove sand, stones, nails etc. found within the working range. Foreign particles may damage the cutting tool and can cause dangerous kick-backs.
7. Should the cutting tool hit stones or other hard objects, immediately switch off the motor and inspect the cutting tool.

## SAVE THESE INSTRUCTIONS.

**⚠WARNING:** DO NOT let comfort or familiarity with product (gained from repeated use) replace strict adherence to safety rules for the subject product. MISUSE or failure to follow the safety rules stated in this instruction manual may cause serious personal injury.

## Cordless Hedge Trimmer Safety Warnings

1. **Keep all parts of the body away from the blade. Do not remove cut material or hold material to be cut when blades are moving.** Blades continue to move after the switch is turned off. A moment of inattention while operating the hedge trimmer may result in serious personal injury.
2. **Carry the hedge trimmer by the handle with the blade stopped and taking care not to operate any power switch.** Proper carrying of the hedge trimmer will decrease the risk of inadvertent starting and resultant personal injury from the blades.
3. **When transporting or storing the hedge trimmer, always fit the blade cover.** Proper handling of the hedge trimmer will decrease the risk of personal injury from the blades.
4. **When clearing jammed material or servicing the unit, make sure all power switches are off and the battery pack is removed or disconnected.** Unexpected actuation of the hedge trimmer while clearing jammed material or servicing may result in serious personal injury.
5. **Hold the hedge trimmer by insulated gripping surfaces only, because the blade may contact hidden wiring.** Blades contacting a "live" wire may make exposed metal parts of the hedge trimmer "live" and could give the operator an electric shock.
6. **Keep all power cords and cables away from cutting area.** Power cords or cables may be hidden in hedges or bushes and can be accidentally cut by the blade.
7. **Do not use the hedge trimmer in bad weather conditions, especially when there is a risk of lightning.** This decreases the risk of being struck by lightning.

## Additional Safety Instructions

### Preparation

1. **Check the hedges and bushes for foreign objects, such as wire fences or hidden wiring before operating the tool.**
2. **The tool must not be used by children or young persons under 18 years of age.** Young persons over 16 years of age may be exempted from this restriction if they are undergoing training under the supervision of an expert.
3. **First-time users should have an experienced user show them how to use the tool.**
4. **Use the tool only if you are in good physical condition.** If you are tired, your attention will be reduced. Be especially careful at the end of a working day. Perform all work calmly and carefully. The user is responsible for all damages to third parties.
5. **Never use the tool when under the influence of alcohol, drugs or medication.**
6. **Work gloves of stout leather are part of the basic equipment of the tool and must always be worn when working with it. Also wear sturdy shoes with anti-skid soles.**

7. **Before starting work check to make sure that the tool is in good and safe working order. Ensure guards are fitted properly. The tool must not be used unless fully assembled.**

### Operation

1. **Hold the tool firmly when using the tool.**
2. **The tool is intended to be used by the operator at ground level. Do not use the tool on ladders or any other unstable support.**
3. **Do not simultaneously wear multiple belt harnesses and/or shoulder harnesses when operating the tool.**
4. **DANGER - Keep hands away from blade.** Contact with blade will result in serious personal injury.
5. **Do not use the tool in the rain or in wet or very damp conditions.** The electric motor is not waterproof.
6. **Make sure you have a secure footing before starting operation.**
7. **Do not operate the tool at no-load unnecessarily.**
8. **Immediately switch off the tool and remove the battery cartridge if the shear blades should come into contact with a fence or other hard object. Check the blades for damage, and if damaged, replace the blades immediately.**
9. **Before checking the shear blades, taking care of faults, or removing material caught in the shear blades, always switch off the tool and remove the battery cartridge.**
10. **Never point the shear blades to yourself or others.**
11. **If the blades stop moving due to the stuck of foreign objects between the blades during operation, switch off the tool and remove the battery cartridge, and then remove the foreign objects using tools such as pliers.** Removing the foreign objects by hand may cause an injury for the reason that the blades may move in reaction to removing the foreign objects.
12. **Avoid dangerous environment. Don't use the tool in damp or wet locations or expose it to rain. Water entering the tool will increase the risk of electric shock.**

### Maintenance and storage

1. **Switch off the tool and remove the battery cartridge before doing any maintenance work.**
2. **When moving the tool to another location, including during work, always remove the battery cartridge and put the blade cover on the shear blades. Never carry or transport the tool with the blades running. Never grasp the blades with your hands.**
3. **Clean the tool and especially the shear blades after use, and before putting the tool into storage for extended periods. Lightly oil the blades and put on the blade cover.**
4. **Store the tool with the blade cover on, in a dry room. Keep it out of reach of children. Never store the tool outdoors.**
5. **Do not dispose of the battery(ies) in a fire. The cell may explode. Check with local codes for possible special disposal instructions.**

6. Do not open or mutilate the battery(ies). Released electrolyte is corrosive and may cause damage to the eyes or skin. It may be toxic if swallowed.
7. Do not charge battery in rain, or in wet locations.

## SAVE THESE INSTRUCTIONS.

**⚠WARNING:** DO NOT let comfort or familiarity with product (gained from repeated use) replace strict adherence to safety rules for the subject product. MISUSE or failure to follow the safety rules stated in this instruction manual may cause serious personal injury.

### Important safety instructions for battery cartridge

1. Before using battery cartridge, read all instructions and cautionary markings on (1) battery charger, (2) battery, and (3) product using battery.
2. Do not disassemble or tamper with the battery cartridge. It may result in a fire, excessive heat, or explosion.
3. If operating time has become excessively shorter, stop operating immediately. It may result in a risk of overheating, possible burns and even an explosion.
4. If electrolyte gets into your eyes, rinse them out with clear water and seek medical attention right away. It may result in loss of your eyesight.
5. Do not short the battery cartridge:
  - (1) Do not touch the terminals with any conductive material.
  - (2) Avoid storing battery cartridge in a container with other metal objects such as nails, coins, etc.
  - (3) Do not expose battery cartridge to water or rain.

A battery short can cause a large current flow, overheating, possible burns and even a breakdown.

6. Do not store and use the tool and battery cartridge in locations where the temperature may reach or exceed 50 °C (122 °F).
7. Do not incinerate the battery cartridge even if it is severely damaged or is completely worn out. The battery cartridge can explode in a fire.
8. Do not nail, cut, crush, throw, drop the battery cartridge, or hit against a hard object to the battery cartridge. Such conduct may result in a fire, excessive heat, or explosion.
9. Do not use a damaged battery.
10. The contained lithium-ion batteries are subject to the Dangerous Goods Legislation requirements. For commercial transports e.g. by third parties, forwarding agents, special requirement on packaging and labeling must be observed. For preparation of the item being shipped, consulting an expert for hazardous material is required. Please also observe possibly more detailed national regulations. Tape or mask off open contacts and pack up the battery in such a manner that it cannot move around in the packaging.

11. When disposing the battery cartridge, remove it from the tool and dispose of it in a safe place. Follow your local regulations relating to disposal of battery.
12. Use the batteries only with the products specified by Makita. Installing the batteries to non-compliant products may result in a fire, excessive heat, explosion, or leak of electrolyte.
13. If the tool is not used for a long period of time, the battery must be removed from the tool.
14. During and after use, the battery cartridge may take on heat which can cause burns or low temperature burns. Pay attention to the handling of hot battery cartridges.
15. Do not touch the terminal of the tool immediately after use as it may get hot enough to cause burns.
16. Do not allow chips, dust, or soil stuck into the terminals, holes, and grooves of the battery cartridge. It may result in poor performance or breakdown of the tool or battery cartridge.
17. Unless the tool supports the use near high-voltage electrical power lines, do not use the battery cartridge near high-voltage electrical power lines. It may result in a malfunction or breakdown of the tool or battery cartridge.
18. Keep the battery away from children.

## SAVE THESE INSTRUCTIONS.

**⚠CAUTION:** Only use genuine Makita batteries. Use of non-genuine Makita batteries, or batteries that have been altered, may result in the battery bursting causing fires, personal injury and damage. It will also void the Makita warranty for the Makita tool and charger.

## Tips for maintaining maximum battery life

1. Charge the battery cartridge before completely discharged. Always stop tool operation and charge the battery cartridge when you notice less tool power.
2. Never recharge a fully charged battery cartridge. Overcharging shortens the battery service life.
3. Charge the battery cartridge with room temperature at 10 °C - 40 °C (50 °F - 104 °F). Let a hot battery cartridge cool down before charging it.
4. When not using the battery cartridge, remove it from the tool or the charger.
5. Charge the battery cartridge if you do not use it for a long period (more than six months).

# FUNCTIONAL DESCRIPTION

**CAUTION:** Always be sure that the tool is switched off and the battery cartridge is removed before adjusting or checking function on the tool.

## Using the tool as cordless hedge trimmer

This tool can be used as a cordless hedge trimmer by installing the shear blades for hedge trimmer.

## Installing or removing battery cartridge

**CAUTION:** Always switch off the tool before installing or removing of the battery cartridge.

**CAUTION:** Hold the tool and the battery cartridge firmly when installing or removing battery cartridge. Failure to hold the tool and the battery cartridge firmly may cause them to slip off your hands and result in damage to the tool and battery cartridge and a personal injury.

► Fig.1: 1. Red indicator 2. Button 3. Battery cartridge

To remove the battery cartridge, slide it from the tool while sliding the button on the front of the cartridge.

To install the battery cartridge, align the tongue on the battery cartridge with the groove in the housing and slip it into place. Insert it all the way until it locks in place with a little click. If you can see the red indicator as shown in the figure, it is not locked completely.

**CAUTION:** Always install the battery cartridge fully until the red indicator cannot be seen. If not, it may accidentally fall out of the tool, causing injury to you or someone around you.

**CAUTION:** Do not install the battery cartridge forcibly. If the cartridge does not slide in easily, it is not being inserted correctly.

## Tool / battery protection system

The tool is equipped with a tool/battery protection system. This system automatically cuts off power to the motor to extend tool and battery life. The tool will automatically stop during operation if the tool or battery is placed under one of the following conditions:

### Overload protection

When the battery is operated in a manner that causes it to draw an abnormally high current, the tool automatically stops. In this situation, turn the tool off and stop the application that caused the tool to become overloaded. Then turn the tool on to restart.

### Overheat protection

When the battery is overheated, the tool stops automatically. In this case, let the tool and battery cool before turning the tool on again.

### Overdischarge protection

When the battery capacity is not enough, the tool stops automatically. If you turn the tool on, the motor runs again but stops soon. In this case, remove the battery from the tool and charge the battery.

## Switch action

**WARNING:** Before installing the battery cartridge into the tool, always check to see that the switch trigger actuates properly and returns to the "OFF" position when released.

**WARNING:** For your safety, this tool is equipped with the lock-off button which prevents the tool from unintended starting. Never use the tool if it starts when you pull the switch trigger without pressing the lock-off button. Ask your local Makita Service Center for repairs.

**WARNING:** Never disable the lock function or tape down the lock-off button.

**NOTICE:** Do not pull the switch trigger forcibly without pressing the lock-off button. The switch may break.

► Fig.2: 1. Switch trigger 2. Lock-off button

To prevent the switch trigger from being accidentally pulled, a lock-off button is provided.

To start the tool, press the lock-off button and pull the switch trigger. Release the switch trigger to stop. The lock-off button can be pressed from either the right or left side.

## Indicator lamp

The indicator lamp blinks or lights up when the remaining battery capacity is low or empty. The indicator lamp also lights up when the tool becomes overloaded.

► Fig.3: 1. Indicator lamp

### Lamp status and action to be taken

Indicator lamp	Status	Action to be taken
The lamp blinks red.	The remaining battery capacity is low.	Charge the battery.
The lamp lights up red. *	The tool has stopped because the remaining battery capacity is empty.	Charge the battery.
	The tool has stopped due to overload.	Turn off the tool.

\* The time at which the indicator lamp lights up varies depending on the temperature around the work area and the battery cartridge conditions.

## Adjusting the shearing height (for grass shear)

### Optional accessory

**CAUTION:** When changing the shearing height, be sure to attach the blade cover and be careful not to trap fingers between the tool and grass receiver.

The shearing height can be set to three levels (15 mm, 20 mm, and 25 mm) by changing the fixed position of the grass receiver. The shearing height without the grass receiver is about 10 mm.

1. Slide the grass receiver toward the front of the tool.

► Fig.4: 1. Grass receiver

2. Change the fixed position of the grass receiver by moving it in the direction of the arrow.

► Fig.5

**NOTE:** The shearing height value is a guideline. The actual shearing height may vary depending on the condition of the lawn or the ground.

**NOTE:** Try a test shearing in a less conspicuous place to get your desired height.

## ASSEMBLY

**CAUTION:** Always be sure that the tool is switched off and the battery cartridge is removed before carrying out any work on the tool.

**CAUTION:** When replacing the shear blades, always wear gloves and attach the blade cover so that your hands and face do not directly contact the blades.

**NOTICE:** When replacing the shear blades, do not wipe off grease from the gear and crank.

## Installing or removing the blade cover

**CAUTION:** Be careful not to touch the blades when installing or removing the blade cover.

To remove the blade cover, pull it slightly, and then slide it sideways. To install the blade cover, perform the steps in reverse.

► Fig.6

## Installing or removing the grass receiver

### Optional accessory

**CAUTION:** When installing or removing the grass receiver, be sure to attach the blade cover and be careful not to trap your fingers between the tool and grass receiver.

## Installing the grass receiver

1. Hook the hinge of the grass receiver on the groove of the tool.

► Fig.7: 1. Hinge 2. Grass receiver

2. Align the protrusions on the grass receiver with the grooves on the tool by sliding the grass receiver toward the front of the tool and moving it in the direction of the arrow.

► Fig.8

**NOTICE:** Do not attach the hinge of the grass receiver to the tool forcibly after aligning the protrusions on the grass receiver with the grooves on the tool.

## Removing the grass receiver

1. Release the protrusions on the grass receiver from the grooves on the tool while sliding the grass receiver toward the front of the tool.

► Fig.9: 1. Grass receiver

2. Release the hinge of the grass receiver from the tool.



## Installing or removing the shear blades for grass shear

**NOTICE:** If the parts other than the shear blades such as the crank are worn out, ask Makita Authorized Service Centers for parts replacement or repairs.

## Removing the shear blades

1. Remove the grass receiver if it's installed. Place the tool upside down.

► Fig.10

2. While pressing the lock lever, turn the undercover counterclockwise until  on the undercover is aligned with  on the lock lever.

► Fig.11: 1. Undercover 2. Lock lever

3. Remove the undercover, shear blades, and crank.

► Fig.12: 1. Undercover 2. Shear blades 3. Crank

## Installing the shear blades

1. Prepare the crank, undercover, and new shear blades.

► Fig.13: 1. Crank 2. Undercover 3. Shear blades

2. Remove the blade cover from the old shear blades, and then attach it to the new ones.

► Fig.14: 1. Blade cover

3. Adjust the three pins so that they are lined up on the alignment line.

► **Fig.15:** 1. Alignment line

4. Apply a small amount of grease to the periphery of the crank. Attach the crank to the pins with the small and large rounds facing up.

► **Fig.16:** 1. Crank



5. Adjust the blades and guide plate so that the hole in the guide plate and the two protrusions on the blades are lined up.

► **Fig.17:** 1. Guide plate



6. Turn the shear blades upside down and install them so that the pins on the tool fit in the hole on the guide plate. Make sure that the shear blades are fixed securely in place.

► **Fig.18:** 1. Guide plate

**NOTE:** Sliding the blade cover forward slightly makes it easier to install the shear blades.

7. Place the undercover so that  on the undercover is aligned with  on the lock lever.

► **Fig.19:** 1. Undercover 2. Lock lever

8. While pressing the undercover, turn the undercover clockwise until  on the undercover is aligned with  on the lock lever.

► **Fig.20:** 1. Undercover 2. Lock lever

9. Make sure that the lock lever fits in the groove on the undercover.

► **Fig.21:** 1. Lock lever

**CAUTION:** Never use the tool without installing the undercover.

10. Remove the blade cover, and then turn on the tool to check that it works properly.

**NOTICE:** If the shear blades do not operate properly, the blades are not engaging the crank properly. Remove the blades and install them again.

## Installing or removing shear blades for hedge trimmer



**CAUTION:** Attach the blade cover before removing or installing the shear blades.

**NOTICE:** If the parts other than the shear blades such as the crank are worn out, ask Makita Authorized Service Centers for parts replacement or repairs.

## Removing shear blades

1. Place the tool upside down.

► **Fig.22**

2. While pressing the lock lever, turn the undercover counterclockwise until  on the undercover is aligned with  on the lock lever.

► **Fig.23:** 1. Lock lever 2. Undercover

3. Remove the undercover.

► **Fig.24:** 1. Undercover

4. Loosen two screws with a screwdriver and remove the shear blades.

► **Fig.25:** 1. Screws

**NOTE:** The shear blades can be removed without removing the screws.

5. Remove the crank from the shear blades.

► **Fig.26:** 1. Crank

**NOTE:** The crank may remain in the tool.

**NOTE:** Attach the blade cover and the storage case to the removed shear blades, and then store the blades.

## Installing shear blades

1. Prepare the crank, undercover, and new shear blades.

► **Fig.27:** 1. Crank 2. Undercover 3. Shear blades

2. Attach the blade cover to the shear blades.

► **Fig.28:** 1. Blade cover

3. Adjust the three pins so that they are lined up on the alignment line.

► **Fig.29:** 1. Alignment line

4. Apply a small amount of grease to the periphery of the crank. Attach the crank to the pins with its small and large rounds facing down.

► **Fig.30:** 1. Crank

5. Slide the shear blades so that the hole on the guide plate is positioned at the center of the rings of blades.

► **Fig.31:** 1. Guide plate



6. Turn the shear blades upside down and install them so that the pin on the tool fits in the hole on the shear blades. Insert the claw of the guide plate into the groove on the tool. Make sure that the shear blades are fixed securely in place.

► **Fig.32:** 1. Claw 2. Guide plate



**NOTE:** Sliding the blade cover forward slightly makes it easier to install the shear blades.

7. Tighten the two screws firmly with a screwdriver.

► **Fig.33:** 1. Screws

8. Place the undercover so that  on the undercover is aligned with  on the lock lever.

► **Fig.34:** 1. Lock lever 2. Undercover

9. While pressing the undercover, turn the undercover clockwise until  on the undercover is aligned with  on the lock lever.

► **Fig.35:** 1. Undercover

10. Make sure that the lock lever fits in the groove on the undercover.

► **Fig.36:** 1. Lock lever

**CAUTION:** Never use the tool without installing the undercover.

11. Remove the blade cover, and then turn on the tool to check if the tool works properly.

**NOTICE:** If the shear blades do not operate properly, the blades are not engaging the crank properly. Remove the blades and install them again.



## Installing or removing the chip receiver

### Optional accessory

**CAUTION:** When installing or removing the chip receiver, always wear gloves and attach the blade cover so that your hands and face do not directly contact the blade.

The chip receiver gathers discarded leaves and makes clean-up afterward much easier. It can be installed on either side of the tool.

To install the chip receiver, press it against the shear blades so that the hooks fit into the holes of the shear blades.

► Fig.37: 1. Hooks 2. Holes

To remove the chip receiver, press the levers on both sides to release the hooks.

► Fig.38: 1. Levers

**NOTICE:** Never try to remove the chip receiver by an excessive force with its hooks locked in the holes of the blades.

## OPERATION

**WARNING:** Before shearing, clear away sticks and stones from the shearing area. Furthermore, clear away any weeds from the shearing area in advance.

► Fig.39

**WARNING:** Keep hands away from blades.

**CAUTION:** Avoid operating the tool in very hot weather as much as practicable. When operating the tool, be careful of your physical condition.

### Shearing (for grass shear)

Turn the tool on after adjusting the shearing height and hold it so that the bottom of the tool rests on the ground. Gently move the tool forward.

► Fig.40

When trimming around curbs, fences or trees, move the tool along them. Be careful that the blades do not come into contact with them.

► Fig.41

When trimming sprouts or foliage of a small tree, trim little by little.

► Fig.42

Trim large branches to the desired height using branch cutters before using this tool.

**NOTICE:** Do not use the tool in a way that causes the motor to stop or to rotate extremely slowly.

**NOTICE:** Do not attempt to cut thick branches.

**NOTICE:** Do not allow the shear blades to contact the ground during operation. The blades will be dulled, causing poor performance.

**NOTICE:** Do not trim the wet grass or foliage of small trees.

### Cutting long lawn

Do not try to cut long grass all at once. Instead, cut the lawn in steps. Leave a day or two between cuts until the lawn becomes evenly short.

► Fig.43

**NOTE:** Cutting long grass to a short length all at once may cause the grass to die.

### Trimming (for hedge trimmer)

**CAUTION:** Be careful not to accidentally contact a metal fence or other hard objects while trimming. The blades may break and cause an injury.

**CAUTION:** Be careful not to allow the shear blades to contact the ground. The tool may recoil and cause an injury.

**CAUTION:** Overreaching with a hedge trimmer, particularly from a ladder, is extremely dangerous. Do not work while standing on anything wobbly or infirm.

**NOTICE:** Do not attempt to cut branches thicker than 10 mm in diameter with the tool. Cut branches to 10 cm lower than the cutting height using branch cutters before using the tool.

► Fig.44: (1) Cutting height (2) 10 cm

**NOTICE:** Do not cut down dead trees or similar hard objects. Doing so may damage the tool.

**NOTICE:** Do not trim the grass or weeds while using the shear blades. The blades may become tangled in the grass or weeds.

Hold the tool with one hand, pull the switch trigger while pressing the lock-off button, and then move it forward.

► Fig.45

For basic operation, tilt the blades toward the trimming direction and move it calmly and slowly at the speed rate of 3 to 4 seconds per meter.

► Fig.46

To tie a string at the desired height and to trim along it help you to cut a hedge top evenly.

► Fig.47

If the chip receiver is attached to the blades, it gathers discarded leaves and makes clean-up afterward much easier.

To cut a hedge side evenly, cut from the bottom to top.

► Fig.48

When trimming to make a round shape (trimming boxwood or rhododendron, etc.), trim from the root to the top for a beautiful finish.

► Fig.49

## MAINTENANCE

**⚠ CAUTION:** Always be sure that the tool is switched off and the battery cartridge is removed before attempting to perform inspection or maintenance.

To maintain product SAFETY and RELIABILITY, repairs, any other maintenance or adjustment should be performed by Makita Authorized or Factory Service Centers, always using Makita replacement parts.

### Cleaning the tool

Clean the tool by wiping off dust with a dry cloth or one dipped in soapy water and wrung out.

**NOTICE:** Never use gasoline, benzine, thinner, alcohol or the like. Discoloration, deformation or cracks may result.

### Blade maintenance

Before the operation or once per hour during operation, apply low-viscosity oil (machine oil, or spray-type lubricating oil) to the blades.

▶ Fig.50

▶ Fig.51

After operation, remove dust from both sides of the blades with a wired brush, wipe it off with a cloth and then apply low-viscosity oil (machine oil, or spray-type lubricating oil) to the blades.

▶ Fig.52

▶ Fig.53

**NOTICE:** Do not wash the blades in water. Doing so may cause rust or damage to the tool.

**NOTICE:** Dirt and corrosion cause excessive blade friction and shorten the operating time per battery charge.

### Storage

The hook hole in the tool bottom is convenient for hanging the tool from a nail or screw on the wall.

Attach the blade cover to the shear blades so that the blades are not exposed. Store the tool out of the reach of children. Store the tool in a place not exposed to moisture or rain.

▶ Fig.54: 1. Hole

▶ Fig.55: 1. Hole

## OPTIONAL ACCESSORIES

**⚠ CAUTION:** These accessories or attachments are recommended for use with your Makita tool specified in this manual. The use of any other accessories or attachments might present a risk of injury to persons. Only use accessory or attachment for its stated purpose.

If you need any assistance for more details regarding these accessories, ask your local Makita Service Center.

- Shear blade assembly (for grass shear use)
- Shear blade cover (for grass shear use)
- Grass receiver (for grass shear use)
- Long handle attachment (for grass shear use)
- Shear blade assembly (for hedge trimmer use)
- Shear blade cover (for hedge trimmer use)
- Chip receiver (for hedge trimmer use)
- Storage case
- Makita genuine battery and charger

**NOTE:** Some items in the list may be included in the tool package as standard accessories. They may differ from country to country.

# SPÉCIFICATIONS

Modèle :		UM110D
Largeur de coupe		110 mm
Nombre de courses par minute		2 500 min <sup>-1</sup>
Numéro de référence des lames de cisaille de remplacement	Taille-herbes	191N23-4, 195267-4
	Taille-haie	191N24-2, 198408-1
Dimensions (L x l x H)		331 mm x 120 mm x 130 mm
Tension nominale		18 V CC
Poids net		1,4 kg - 1,5 kg

- Étant donné l'évolution constante de notre programme de recherche et de développement, les spécifications contenues dans ce manuel sont sujettes à modification sans préavis.
- Les spécifications et la batterie peuvent être différentes suivant les pays.
- Le poids peut être différent selon les accessoires, notamment la batterie. Les associations la plus légère et la plus lourde, conformément à la procédure EPTA 01/2014, sont indiquées dans le tableau.

## Batterie et chargeur applicables

Batterie	BL1813G / BL1815G
Chargeur	DC18WA

- Certains chargeurs et batteries répertoriés ci-dessus peuvent ne pas être disponibles selon la région où vous résidez.

**⚠ AVERTISSEMENT : N'utilisez que les batteries et les chargeurs répertoriés ci-dessus.** L'utilisation d'autres batteries et chargeurs peut provoquer des blessures et/ou un incendie.

## Symboles

Vous trouverez ci-dessous les symboles susceptibles d'être utilisés pour l'appareil. Veuillez à comprendre leur signification avant toute utilisation.

	Veuillez être prudent et rester attentif.
	Lire le mode d'emploi.
	Danger ; prendre garde aux projections d'objets.
	Tenez les personnes à l'écart.
	Les dispositifs de coupe continuent de tourner une fois le moteur coupé.
	Ne pas exposer à l'eau.
	Portez des lunettes de sécurité.
	DANGER - Gardez vos mains à l'écart de la lame.



Pour les pays de l'Union européenne uniquement  
En raison de la présence de composants dangereux dans l'équipement, les déchets d'équipements électriques et électroniques, les accumulateurs et les batteries peuvent avoir un impact négatif sur l'environnement et la santé humaine.  
Ne jetez pas les appareils électriques et électroniques ou les batteries avec les ordures ménagères ! Conformément à la directive européenne relative aux déchets d'équipements électriques et électroniques et aux déchets d'accumulateurs et de batteries, ainsi qu'à son adaptation à la législation nationale, les déchets d'équipements électriques, les batteries et les accumulateurs doivent être collectés séparément et déposés dans un point de collecte distinct pour déchets urbains, conformément aux réglementations en matière de protection de l'environnement. Cela est indiqué par le symbole de la poubelle à roulettes barrée sur l'équipement.



Niveau de puissance sonore garanti selon la directive européenne sur le bruit dans l'environnement.



Niveau de puissance sonore selon la réglementation australienne NSW sur le contrôle du bruit

## Utilisations

L'outil est conçu pour couper les bords de pelouse ou les pousses.

## Bruit

Niveau de bruit pondéré A typique, déterminé selon EN50636-2-94 :

### UM110D avec lame de cisaille pour taille-herbes installée

Niveau de pression sonore ( $L_{pA}$ ) : 70 dB (A)  
Incertitude (K) : 1,9 dB (A)

Le niveau de bruit en fonctionnement peut dépasser 80 dB (A).

Niveau de bruit pondéré A typique, déterminé selon EN62841-4-2:

### UM110D avec lame de cisaille pour taille-haie installée

Niveau de pression sonore ( $L_{pA}$ ) : 70 dB (A)  
Incertitude (K) : 3 dB (A)

Le niveau de bruit en fonctionnement peut dépasser 80 dB (A).

**NOTE** : La ou les valeurs d'émission de bruit déclarées ont été mesurées conformément à la méthode de test standard et peuvent être utilisées pour comparer les outils entre eux.

**NOTE** : La ou les valeurs d'émission de bruit déclarées peuvent aussi être utilisées pour l'évaluation préliminaire de l'exposition.

**AVERTISSEMENT** : Portez un serre-tête antibruit.

**AVERTISSEMENT** : L'émission de bruit lors de l'usage réel de l'outil électrique peut être différente de la ou des valeurs déclarées, suivant la façon dont l'outil est utilisé, particulièrement selon le type de pièce usinée.

**AVERTISSEMENT** : Les mesures de sécurité à prendre pour protéger l'utilisateur doivent être basées sur une estimation de l'exposition dans des conditions réelles d'utilisation (en tenant compte de toutes les composantes du cycle d'utilisation, comme par exemple le moment de sa mise hors tension, lorsqu'il tourne à vide et le moment de son déclenchement).

## Vibrations

Valeur totale de vibrations (somme de vecteur triaxial) déterminée selon EN50636-2-94 :

### UM110D avec lame de cisaille pour taille-herbes installée

Émission de vibrations ( $a_h$ ) : 2,5 m/s<sup>2</sup> ou moins  
Incertitude (K) : 1,5 m/s<sup>2</sup>

Valeur totale de vibrations (somme de vecteur triaxial) déterminée selon EN62841-4-2 :

### UM110D avec lame de cisaille pour taille-haie installée

Émission de vibrations ( $a_h$ ) : 2,5 m/s<sup>2</sup> ou moins  
Incertitude (K) : 1,5 m/s<sup>2</sup>

**NOTE** : La ou les valeurs de vibration totales déclarées ont été mesurées conformément à la méthode de test standard et peuvent être utilisées pour comparer les outils entre eux.

**NOTE** : La ou les valeurs de vibration totales déclarées peuvent aussi être utilisées pour l'évaluation préliminaire de l'exposition.

**AVERTISSEMENT** : L'émission de vibrations lors de l'usage réel de l'outil électrique peut être différente de la ou des valeurs déclarées, suivant la façon dont l'outil est utilisé, particulièrement selon le type de pièce usinée.

**AVERTISSEMENT** : Les mesures de sécurité à prendre pour protéger l'utilisateur doivent être basées sur une estimation de l'exposition dans des conditions réelles d'utilisation (en tenant compte de toutes les composantes du cycle d'utilisation, comme par exemple le moment de sa mise hors tension, lorsqu'il tourne à vide et le moment de son déclenchement).

## Déclaration de conformité CE

### Pour les pays européens uniquement

La déclaration de conformité CE est fournie en Annexe A à ce mode d'emploi.

## CONSIGNES DE SÉCURITÉ

### Consignes de sécurité générales pour outils électriques

**AVERTISSEMENT** : Veuillez lire les consignes de sécurité, instructions, illustrations et spécifications qui accompagnent cet outil électrique. Le non-respect de toutes les instructions indiquées ci-dessous peut entraîner une électrocution, un incendie et/ou de graves blessures.

### Conservez toutes les mises en garde et instructions pour référence ultérieure.

Le terme « outil électrique » dans les avertissements fait référence à l'outil électrique alimenté par le secteur (avec cordon d'alimentation) ou à l'outil électrique fonctionnant sur batterie (sans cordon d'alimentation).

### Consignes de sécurité pour taille-herbes sans fil

#### Généralités

1. **Pour garantir un fonctionnement correct, vous devez lire ce manuel d'instructions en vue de vous familiariser avec la manipulation de l'équipement.** Les utilisateurs mal informés risquent, par des manipulations inappropriées, de se blesser ou de blesser leur entourage.
2. **Ne laissez en aucun cas les enfants, les personnes aux facultés physiques, sensorielles ou mentales diminuées ou sans expérience ni expertise ou les personnes qui ne sont pas familiarisées avec ces instructions utiliser la machine.** Les réglementations locales peuvent limiter l'âge de l'utilisateur.

3. **Soyez toujours très prudent et attentif lorsque vous utilisez l'équipement.**
4. **N'utilisez l'équipement que si vous êtes en bonne condition physique. Travaillez toujours en faisant preuve de calme et de prudence. Faites preuve de bons sens et gardez à l'esprit que l'opérateur ou l'utilisateur est responsable des accidents ou risques encourus par les personnes ou leur propriété.**
5. **N'utilisez jamais la machine alors que des personnes — et tout particulièrement des enfants — ou des animaux domestiques se trouvent à proximité.**
6. **Vous devez immédiatement couper le moteur si l'équipement présente un problème ou une anomalie.**
7. **Éteignez et retirez la batterie lorsque vous faites une pause et lorsque vous laissez l'équipement sans surveillance, et rangez-le dans un endroit où il ne représentera un danger pour personne et ne risquera pas d'être endommagé.**
8. **Évitez d'utiliser la machine par mauvais temps, particulièrement en cas d'orage.**

#### **Équipement de protection individuelle**

1. **Portez toujours une protection oculaire et des chaussures solides pendant que vous utilisez la machine.**
2. **Portez toujours des chaussures adaptées et un pantalon long pendant l'utilisation de la machine.**

#### **Démarrage de l'équipement**

1. **Assurez-vous qu'il n'y a pas d'enfants ou d'autres personnes à proximité. Faites également attention aux animaux aux alentours. Autrement, arrêtez d'utiliser l'équipement.**
2. **Avant de l'utiliser, vérifiez toujours la sécurité de l'équipement. Vérifiez la sécurité de l'outil de coupe, du carter de protection et de la gâchette ou du levier pour un fonctionnement facile et correct. Assurez-vous que les poignées sont propres et sèches et vérifiez le fonctionnement de marche/arrêt.**
3. **Vérifiez qu'aucune pièce n'est endommagée avant de continuer à utiliser l'équipement. Vérifiez soigneusement le carter de protection ou toute autre pièce endommagés pour vous assurer qu'ils fonctionnent bien et remplissent leurs fonctions respectives. Assurez-vous que les pièces en mouvement ne sont pas désalignées ou coincées, qu'aucune pièce ou fixation n'est cassée ou la présence de toute autre condition pouvant affecter le bon fonctionnement. Si le carter de protection ou toute autre pièce sont endommagés, ils doivent être réparés ou remplacés de manière adéquate par notre centre de service après-vente agréé sauf indication contraire dans ce manuel.**
4. **Démarrez le moteur uniquement lorsque les mains et les pieds sont éloignés de l'outil de coupe.**
5. **Avant le démarrage, vérifiez que l'outil de coupe n'entre en contact avec aucun objet.**

#### **Utilisation**

1. **N'utilisez l'équipement qu'avec une bonne visibilité et un bon éclairage. En hiver, faites attention aux sols glissants ou aux zones humides, à la glace et à la neige (risque de glissade). Gardez toujours un bon appui au sol sur les terrains en pente et veillez toujours à marcher et à ne jamais courir.**
2. **Prenez garde de ne pas vous blesser les pieds et les mains avec l'outil de coupe.**
3. **N'utilisez jamais l'équipement en vous tenant sur une échelle.**
4. **Ne grimpez jamais dans un arbre pour effectuer une opération de coupe avec l'équipement.**
5. **Ne travaillez jamais sur des surfaces instables.**
6. **Enlevez le sable, les pierres, les clous ou autres se trouvant dans le rayon d'utilisation de l'outil. Les corps étrangers peuvent endommager l'outil de coupe et provoquer de dangereux chocs en retour.**
7. **Si l'outil de coupe heurte des pierres ou d'autres objets durs, coupez immédiatement le moteur et inspectez l'outil de coupe.**
8. **Vérifiez à intervalles courts et réguliers que l'outil de coupe n'est pas endommagé (détection de fines fissures grâce au test du bruit d'impact).**
9. **Attendez que l'outil de coupe atteigne sa pleine vitesse pour commencer la coupe.**
10. **Un carter de protection approprié doit être installé sur l'outil de coupe. Ne faites jamais tourner l'équipement si le carter de protection est endommagé ou n'est pas posé.**
11. **L'équipement doit être utilisé avec tous les dispositifs de protection et les carters de protection fournis installés.**
12. **Retirez toujours la batterie de l'équipement :**
  - chaque fois que vous devez laisser l'équipement sans surveillance ;
  - avant de débloquer l'outil ;
  - avant d'effectuer la vérification, le nettoyage ou l'entretien de l'équipement ;
  - après avoir heurté un corps étranger ;
  - chaque fois que l'équipement se met à vibrer de manière inhabituelle.
13. **Assurez-vous toujours que les bouches d'aération ne sont pas obstruées par des débris.**
14. **Les dispositifs de coupe continuent de tourner une fois le moteur coupé.**
15. **Si les lames cessent de bouger, car des corps étrangers sont collés entre elles pendant le fonctionnement, éteignez l'outil et retirez la batterie, puis ôtez les corps étrangers en utilisant un outil comme une pince. Ôter les corps étrangers à la main présente un risque de blessure, du fait que les lames peuvent bouger en réaction au retrait des corps étrangers.**

#### **Outils de coupe**

**Utilisez uniquement l'outil de coupe correct pour la tâche réalisée.**

## Instructions d'entretien

1. Vérifiez l'état de l'équipement, en particulier de l'outil de coupe et des dispositifs de protection avant de commencer la tâche.
2. Coupez le moteur et retirez la batterie avant d'effectuer l'entretien, de remplacer les outils de coupe ou de nettoyer l'équipement ou l'outil de coupe.
3. Quand il n'est pas utilisé, l'équipement doit être rangé à l'intérieur dans un endroit sec et surélevé ou fermé à clef - hors de portée des enfants. Procédez au nettoyage et à l'entretien avant de le ranger.

## CONSERVEZ CES INSTRUCTIONS.

**⚠️ AVERTISSEMENT :** NE vous laissez PAS tromper (au fil d'une utilisation répétée) par un sentiment d'aisance et de familiarité avec le produit, en négligeant le respect rigoureux des consignes de sécurité qui accompagnent le produit en question. La MAUVAISE UTILISATION de l'outil ou l'ignorance des consignes de sécurité indiquées dans ce mode d'emploi peut entraîner de graves blessures.

## Consignes de sécurité pour taille-haie sans fil

1. Prenez soin de n'approcher aucune partie du corps de la lame. Ne retirez pas le matériau coupé, ni ne tenez le matériau à couper lorsque les lames sont en mouvement. Les lames continuent de bouger même après que l'interrupteur est en position d'arrêt. Un moment d'inattention en cours d'utilisation du taille-haie peut entraîner des blessures graves.
2. Transportez le taille-haie par la poignée avec la lame arrêtée et en prenant soin de ne pas actionner l'interrupteur d'alimentation. En transportant correctement le taille-haie, vous diminuez le risque d'un démarrage intempestif et le risque de blessure présenté par les lames.
3. Lors du transport ou du rangement du taille-haie, mettez toujours en place le couvre-lame. Une manipulation correcte du taille-haie réduira le risque de blessure présenté par les lames.
4. Lorsque vous dégagez un matériau bloqué ou dépannez l'appareil, assurez-vous que tous les interrupteurs d'alimentation sont en position d'arrêt et que la batterie est retirée ou débranchée. Le déclenchement inopiné du taille-haie pendant que vous dégagez un matériau bloqué ou dépannez l'appareil peut provoquer de graves blessures corporelles.
5. Tenez le taille-haie uniquement par ses surfaces de prise isolées, car la lame pourrait entrer en contact avec le câblage caché. Le contact des lames avec un fil sous tension peut transmettre du courant dans les pièces métalliques exposées du taille-haie et électrocuter l'opérateur.

6. Éloignez les cordons d'alimentation et les câbles de la zone de coupe. Les cordons d'alimentation ou les câbles peuvent être cachés derrière les haies ou les buissons et peuvent être coupés accidentellement par la lame.
7. N'utilisez pas le taille-haie par mauvais temps, particulièrement en cas d'orage. Vous éviterez ainsi d'être frappé par la foudre.

## Consignes de sécurité supplémentaires

### Préparatifs

1. Vérifiez l'absence de corps étrangers comme du fil barbelé ou un câblage caché dans les haies et les buissons avant d'utiliser l'outil.
2. L'outil ne doit pas être utilisé par des enfants ou des adolescents de moins de 18 ans. Cette restriction peut ne pas s'appliquer aux mineurs de plus de 16 ans s'ils sont en cours de formation sous la surveillance d'un expert.
3. Les utilisateurs novices doivent être formés par un utilisateur expérimenté pour leur montrer comment utiliser l'outil.
4. N'utilisez l'outil que si vous êtes en bonne condition physique. Si vous êtes fatigué, votre attention sera réduite. Redoublez de précaution à la fin d'une journée de travail. Travaillez toujours en faisant preuve de calme et de prudence. L'utilisateur est responsable de tous les dommages causés à des tiers.
5. N'utilisez jamais l'outil lorsque vous êtes sous l'influence d'alcool, de drogues ou de médicaments.
6. Les gants de travail en cuir robuste font partie de l'équipement de base de l'outil et leur port est obligatoire pendant que vous l'utilisez. Portez également des chaussures solides à semelles antidérapantes.
7. Avant de commencer la tâche, assurez-vous que l'outil est dans un bon état de marche sécuritaire. Assurez-vous que les carters de protection sont correctement installés. L'outil ne doit pas être utilisé tant qu'il n'est pas complètement assemblé.

### Fonctionnement

1. Tenez l'outil fermement lorsque vous l'utilisez.
2. L'outil est conçu pour être utilisé par l'opérateur au niveau du sol. N'utilisez pas l'outil sur une échelle ou tout autre support instable.
3. Ne portez pas simultanément de ceintures-baudriers et/ou de bandoulières lorsque vous utilisez l'outil.
4. DANGER - Gardez vos mains à l'écart de la lame. Le contact avec la lame présente un risque de graves blessures corporelles.
5. N'utilisez pas l'outil sous la pluie ou dans des conditions mouillées ou très humides. Le moteur électrique n'est pas étanche.
6. Assurez-vous que vous avez une bonne assise avant la mise en marche.
7. Ne faites pas tourner l'outil à vide inutilement.

8. Éteignez immédiatement l'outil et retirez la batterie si les lames de cisaille entrent en contact avec une clôture ou un autre objet dur. Vérifiez si les lames sont endommagées et remplacez-les sur-le-champ, le cas échéant.
9. Avant de vérifier les lames de cisaille, de les dépanner ou de retirer des matériaux pris dedans, éteignez toujours l'outil et retirez la batterie.
10. Ne dirigez jamais les lames de cisaille vers vous-même ou quelqu'un d'autre.
11. Si les lames cessent de bouger, car des corps étrangers sont collés entre elles pendant le fonctionnement, éteignez l'outil et retirez la batterie, puis ôtez les corps étrangers en utilisant un outil comme une pince. Ôter les corps étrangers à la main présente un risque de blessure, du fait que les lames peuvent bouger en réaction au retrait des corps étrangers.
12. Évitez les environnements dangereux. N'utilisez pas l'outil dans un endroit humide, ni ne l'exposez à la pluie. Le risque d'électrocution augmente si de l'eau pénètre dans l'outil.

#### Entretien et rangement

1. Éteignez l'outil et retirez la batterie avant de procéder à l'entretien.
2. Lorsque vous déplacez l'outil dans un autre endroit, y compris pendant le travail, retirez toujours la batterie et placez le couvre-lame sur les lames de cisaille. Ne transportez jamais l'outil avec les lames fonctionnant. Ne saisissez jamais les lames avec les mains.
3. Nettoyez l'outil et particulièrement les lames de cisaille après utilisation et avant de le ranger pendant une période prolongée. Huilez légèrement les lames et mettez le couvre-lame en place.
4. Rangez l'outil avec le couvre-lame en place dans une pièce sèche. Gardez-le hors de portée des enfants. Ne rangez jamais l'outil à l'extérieur.
5. Ne jetez pas la ou les batteries au feu. L'élément de la pile pourrait exploser. Consultez les codes locaux pour de possibles instructions de mise au rebut spéciales.
6. N'ouvrez ni ne manipulez la ou les batteries. L'électrolyte qui s'échappe de la batterie est corrosif et peut irriter la peau ou les yeux. Il peut être toxique en cas d'ingestion.
7. Ne chargez pas la batterie sous la pluie ou dans un endroit mouillé.

## CONSERVEZ CES INSTRUCTIONS.

**⚠ AVERTISSEMENT : NE vous laissez PAS tromper (au fil d'une utilisation répétée) par un sentiment d'aisance et de familiarité avec le produit, en négligeant le respect rigoureux des consignes de sécurité qui accompagnent le produit en question. La MAUVAISE UTILISATION de l'outil ou l'ignorance des consignes de sécurité indiquées dans ce mode d'emploi peut entraîner de graves blessures.**

## Consignes de sécurité importantes pour la batterie

1. Avant d'utiliser la batterie, lisez toutes les instructions et précautions relatives (1) au chargeur de batterie, (2) à la batterie, et (3) au produit utilisant la batterie.
2. Ne désassemblez pas et ne modifiez pas la batterie. Cela pourrait entraîner un incendie, une chaleur excessive ou une explosion.
3. Cessez immédiatement l'utilisation si le temps de fonctionnement devient excessivement court. Il y a risque de surchauffe, de brûlures, voire d'explosion.
4. Si l'électrolyte pénètre dans vos yeux, rincez-les à l'eau claire et consultez immédiatement un médecin. Il y a risque de perte de la vue.
5. Ne court-circuitez pas la batterie :
  - (1) Ne touchez les bornes avec aucun matériau conducteur.
  - (2) Évitez de ranger la batterie dans un conteneur avec d'autres objets métalliques, par exemple des clous, des pièces de monnaie, etc.
  - (3) N'exposez pas la batterie à l'eau ou à la pluie.

Un court-circuit de la batterie peut provoquer une intensité de courant élevée, une surchauffe, parfois des brûlures et même une panne.

6. Ne rangez ni n'utilisez l'outil et la batterie dans un endroit où la température risque d'atteindre ou de dépasser 50 °C.
7. Ne jetez pas la batterie au feu même si elle est sérieusement endommagée ou complètement épuisée. La batterie peut exploser au contact du feu.
8. Abstenez-vous de clouer, couper, écraser, jeter, laisser tomber la batterie, ou de la heurter contre un objet dur. Cela pourrait entraîner un incendie, une chaleur excessive ou une explosion.
9. N'utilisez pas la batterie si elle est endommagée.
10. Les batteries au lithium-ion contenues sont soumises aux exigences de la législation sur les marchandises dangereuses.
 

Lors du transport commercial par des tierces parties ou des transitaires par exemple, des exigences spécifiques en matière d'étiquetage et d'emballage doivent être respectées. Pour la préparation de l'article expédié, il est nécessaire de consulter un expert en matériau dangereux. Veuillez également respecter les réglementations nationales susceptibles d'être plus détaillées.

Recouvrez les contacts exposés avec du ruban adhésif ou du ruban de masquage et emballez la batterie de telle sorte qu'elle ne puisse pas bouger dans l'emballage.

11. Lors de la mise au rebut de la batterie, retirez-la de l'outil et jetez-la en lieu sûr. Suivez les réglementations locales en matière de mise au rebut des batteries.
12. Utilisez les batteries uniquement avec les produits spécifiés par Makita. L'insertion de batteries dans des produits non conformes peut provoquer un incendie, une chaleur excessive, une explosion ou une fuite de l'électrolyte.
13. Lorsque vous n'utilisez pas l'outil pendant une période prolongée, la batterie doit être retirée de l'outil.
14. Pendant et après l'utilisation, la batterie peut chauffer, ce qui peut entraîner des brûlures, y compris en cas de température relativement basse. Manipulez les batteries chaudes avec précaution.
15. Ne touchez pas la borne de l'outil immédiatement après utilisation car elle peut être assez chaude pour provoquer des brûlures.
16. Évitez que des copeaux, de la poussière ou du sol adhèrent aux bornes, aux trous et aux rainures de la batterie. Cela pourrait réduire les performances ou casser l'outil ou la batterie.
17. À moins que l'outil prenne en charge un tel usage, n'utilisez pas la batterie à proximité de lignes électriques haute tension. Cela pourrait entraîner un dysfonctionnement ou casser l'outil ou la batterie.
18. Conservez la batterie hors de portée des enfants.

## CONSERVEZ CES INSTRUCTIONS.

**⚠ ATTENTION :** N'utilisez que des batteries Makita d'origine. L'utilisation de batteries de marque autre que Makita ou de batteries modifiées peut provoquer l'explosion des batteries, ce qui présente un risque d'incendie, de dommages matériels et corporels. Cela annulera également la garantie Makita pour l'outil et le chargeur Makita.

## Conseils pour assurer la durée de vie optimale de la batterie

1. Chargez la batterie avant qu'elle ne soit complètement déchargée. Arrêtez toujours l'outil et rechargez la batterie quand vous remarquez que la puissance de l'outil diminue.
2. Ne rechargez jamais une batterie complètement chargée. La surcharge réduit la durée de service de la batterie.
3. Chargez la batterie à une température ambiante comprise entre 10 °C et 40 °C. Avant de charger une batterie chaude, laissez-la refroidir.
4. Lorsque vous n'utilisez pas la batterie, retirez-la de l'outil ou du chargeur.
5. Rechargez la batterie si elle est restée inutilisée pendant une période prolongée (plus de six mois).

## DESCRIPTION DU FONCTIONNEMENT

**⚠ ATTENTION :** Assurez-vous toujours que l'outil est hors tension et que sa batterie est retirée avant de l'ajuster ou de vérifier son fonctionnement.

### Utilisation de l'outil en tant que taille-haie sans fil

Cet outil peut être utilisé en tant que taille-haie sans fil en installant les lames de cisaille pour taille-haie.

### Insertion ou retrait de la batterie

**⚠ ATTENTION :** Éteignez toujours l'outil avant de mettre en place ou de retirer la batterie.

**⚠ ATTENTION :** Tenez fermement l'outil et la batterie lors de la mise en place ou du retrait de la batterie. Si vous ne tenez pas fermement l'outil et la batterie, ils peuvent vous glisser des mains, et s'abîmer ou vous blesser.

► Fig.1: 1. Indicateur rouge 2. Bouton 3. Batterie

Pour retirer la batterie, faites-la glisser hors de l'outil tout en faisant glisser le bouton à l'avant de la batterie.

Pour mettre la batterie en place, alignez la languette de la batterie avec la rainure du compartiment puis insérez la batterie. Insérez-la entièrement jusqu'à entendre un léger dé clic indiquant qu'elle est bien en place. Si vous pouvez voir l'indicateur rouge comme illustré sur la figure, c'est qu'elle n'est pas bien verrouillée.

**⚠ ATTENTION :** Insérez toujours complètement la batterie jusqu'à ce que l'indicateur rouge ne soit plus visible. Sinon, elle pourrait tomber accidentellement de l'outil, au risque de vous blesser ou de blesser quelqu'un se trouvant près de vous.

**⚠ ATTENTION :** N'insérez pas la batterie de force. Si elle ne glisse pas facilement, c'est que vous ne l'insérez pas correctement.

### Système de protection de l'outil/la batterie

L'outil est équipé d'un système de protection de l'outil/la batterie. Ce système coupe automatiquement l'alimentation vers le moteur pour prolonger la durée de vie de l'outil et de la batterie. Si l'outil ou la batterie se trouve dans l'une des situations suivantes, l'outil cessera automatiquement de fonctionner.

### Protection contre la surcharge

Lorsque la batterie est utilisée d'une manière provoquant un appel de courant anormalement élevé, l'outil s'arrête automatiquement. Dans ce cas, éteignez l'outil et arrêtez la tâche ayant provoqué la surcharge de l'outil. Puis rallumez l'outil pour reprendre la tâche.



## Protection contre la surchauffe

En cas de surchauffe de la batterie, l'outil s'arrête automatiquement. Dans ce cas, laissez l'outil et la batterie refroidir avant de rallumer l'outil.

## Protection contre la décharge totale de la batterie

Lorsque la charge de la batterie est insuffisante, l'outil s'arrête automatiquement. Si vous allumez l'outil, le moteur redémarre, mais s'arrête rapidement. Dans ce cas, retirez la batterie de l'outil et chargez-la.

## Fonctionnement de la gâchette

**⚠️ AVERTISSEMENT :** Avant d'insérer la batterie dans l'outil, vérifiez toujours que la gâchette fonctionne bien et revient en position d'arrêt lorsque vous la relâchez.

**⚠️ AVERTISSEMENT :** Pour assurer votre sécurité, cet outil est équipé d'un bouton de sécurité qui empêche le démarrage intempestif de l'outil. N'utilisez jamais l'outil s'il se met en marche lorsque vous enclenchez la gâchette sans avoir enfoncé le bouton de sécurité. Confiez les réparations à votre centre de service Makita.

**⚠️ AVERTISSEMENT :** Ne désactivez jamais la fonction de verrouillage ni ne scotchez le bouton de sécurité.

**REMARQUE :** Évitez d'enclencher la gâchette avec force lorsque le bouton de sécurité n'est pas enfoncé. Le commutateur pourrait se casser.

► Fig.2: 1. Gâchette 2. Bouton de sécurité

Un bouton de sécurité a été prévu pour éviter l'activation accidentelle de la gâchette.

Pour démarrer l'outil, enfoncez le bouton de sécurité puis enclenchez la gâchette. Pour l'arrêter, relâchez la gâchette. Le bouton de sécurité peut être enfoncé depuis la droite ou la gauche.

## Voyant lumineux

Le voyant lumineux clignote ou s'allume lorsque la capacité restante de la batterie est faible ou vide. Le voyant lumineux s'allume également en cas de surcharge de l'outil.

► Fig.3: 1. Voyant lumineux

### État du voyant et mesure à prendre

Voyant lumineux	État	Mesure à prendre
Le voyant clignote en rouge.	La capacité restante de la batterie est faible.	Chargez la batterie.
Le voyant s'allume en rouge. *	L'outil s'est arrêté parce que la capacité restante de la batterie est vide.	Chargez la batterie.
	L'outil s'est arrêté en raison d'une surcharge.	Mettez l'outil hors tension.

\* Le moment où le voyant lumineux s'allume dépend de la température autour de la zone de travail et de l'état de la batterie.

## Réglage de la hauteur de tonte (pour le taille-herbes)

### Accessoire en option

**⚠️ ATTENTION :** Lorsque vous modifiez la hauteur de tonte, veillez à fixer le couvre-lame et prenez soin de ne pas vous coincer les doigts entre l'outil et le collecteur d'herbes.

La hauteur de tonte peut être réglée sur trois niveaux (15 mm, 20 mm et 25 mm) en modifiant la position fixe du collecteur d'herbes. La hauteur de tonte sans le collecteur d'herbes est d'environ 10 mm.

1. Faites glisser le collecteur d'herbes vers l'avant de l'outil.

► Fig.4: 1. Collecteur d'herbes

2. Modifiez la position fixe du collecteur d'herbes en le déplaçant dans le sens de la flèche.

► Fig.5

**NOTE :** La valeur de la hauteur de tonte est donnée à titre indicatif. La hauteur de tonte réelle peut varier selon l'état de la pelouse ou du sol.

**NOTE :** Faites un essai de tonte en un point peu visible pour vérifier si vous obtenez la hauteur de tonte désirée.

## ASSEMBLAGE

**⚠️ ATTENTION :** Assurez-vous toujours que l'outil est hors tension et que sa batterie est retirée avant d'effectuer toute tâche dessus.

**⚠️ ATTENTION :** Lorsque vous remplacez les lames de cisaille, portez toujours des gants et fixez le couvre-lame de sorte que vos mains et votre visage n'entrent pas en contact direct avec les lames.

**REMARQUE :** Lorsque vous remplacez les lames de cisaille, ne retirez pas la graisse de l'engrenage et de la manivelle.

## Installation ou retrait du couvre-lame

**⚠️ ATTENTION :** Veillez à ne pas toucher les lames lors de l'installation ou du retrait du couvre-lame.

Pour retirer le couvre-lame, tirez légèrement dessus, puis faites-le glisser latéralement. Pour installer le couvre-lame, procédez dans l'ordre inverse.

► Fig.6

## Installation ou retrait du collecteur d'herbes

### Accessoire en option

**⚠ ATTENTION :** Lors de l'installation ou du retrait du collecteur d'herbes, veillez à fixer le couvre-lame et prenez soin de ne pas vous coincer les doigts entre l'outil et le collecteur d'herbes.

## Installation du collecteur d'herbes

1. Accrochez la charnière du collecteur d'herbes sur la rainure de l'outil.

► Fig.7: 1. Charnière 2. Collecteur d'herbes

2. Alignez les parties saillantes sur le collecteur d'herbes avec les rainures sur l'outil en faisant glisser le collecteur d'herbes vers l'avant de l'outil et en le déplaçant dans le sens de la flèche.

► Fig.8

**REMARQUE :** Ne forcez pas pour fixer la charnière du collecteur d'herbes sur l'outil après avoir aligné les parties saillantes sur le collecteur d'herbes avec les rainures sur l'outil.

## Retrait du collecteur d'herbes

1. Libérez les parties saillantes sur le collecteur d'herbes des rainures sur l'outil tout en faisant glisser le collecteur d'herbes vers l'avant de l'outil.

► Fig.9: 1. Collecteur d'herbes

2. Libérez la charnière du collecteur d'herbes de l'outil.



## Pose ou dépose des lames de cisaille pour taille-herbes

**REMARQUE :** Si d'autres pièces que les lames de cisaille comme la manivelle sont usées, demandez leur remplacement ou réparation aux centres de service après-vente Makita agréés.

## Dépose des lames de cisaille

1. Retirez le collecteur d'herbes s'il est installé. Placez l'outil à l'envers.

► Fig.10

2. Tout en appuyant sur le levier de verrouillage, tournez le sous couvercle dans le sens inverse des aiguilles d'une montre jusqu'à ce que  sur le sous couvercle soit aligné avec  sur le levier de verrouillage.

► Fig.11: 1. Sous couvercle 2. Levier de verrouillage

3. Retirez le sous couvercle, les lames de cisaille et la manivelle.

► Fig.12: 1. Sous couvercle 2. Lames de cisaille  
3. Manivelle

## Pose des lames de cisaille

1. Préparez la manivelle, le sous couvercle et les lames de cisaille neuves.

► Fig.13: 1. Manivelle 2. Sous couvercle 3. Lames de cisaille

2. Retirez le couvre-lame des anciennes lames de cisaille, puis fixez-le aux neuves.

► Fig.14: 1. Couvre-lame

3. Ajustez les trois goupilles de sorte qu'elles soient alignées sur la ligne d'alignement.

► Fig.15: 1. Ligne d'alignement

4. Appliquez une petite quantité de graisse sur la périphérie de la manivelle. Fixez la manivelle aux goupilles avec les ronds petits et grands tournés vers le haut.

► Fig.16: 1. Manivelle



5. Ajustez les lames et la plaque de guidage de sorte que le trou sur la plaque de guidage et les deux parties saillantes sur les lames soient alignés.

► Fig.17: 1. Plaque de guidage

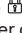

6. Tournez les lames de cisaille à l'envers et posez-les de sorte que les goupilles sur l'outil s'insèrent dans le trou sur la plaque de guidage. Assurez-vous que les lames de cisaille sont solidement fixées en place.

► Fig.18: 1. Plaque de guidage

**NOTE :** En faisant coulisser légèrement vers l'avant le couvre-lame, l'installation des lames de cisaille est plus facile.

7. Placez le sous couvercle de sorte que  sur le sous couvercle soit aligné avec  sur le levier de verrouillage.

► Fig.19: 1. Sous couvercle 2. Levier de verrouillage

8. Tout en appuyant sur le sous couvercle, tournez-le dans le sens des aiguilles d'une montre jusqu'à ce que  sur le sous couvercle soit aligné avec  sur le levier de verrouillage.

► Fig.20: 1. Sous couvercle 2. Levier de verrouillage

9. Assurez-vous que le levier de verrouillage s'insère dans la rainure sur le sous couvercle.

► Fig.21: 1. Levier de verrouillage

**⚠ ATTENTION :** N'utilisez jamais l'outil sans installer le sous couvercle.

10. Retirez le couvre-lame, puis mettez l'outil sous tension pour vérifier qu'il fonctionne correctement.



**REMARQUE :** Si les lames de cisaille ne fonctionnent pas correctement, les lames ne sont pas engagées correctement dans la manivelle. Retirez les lames, puis remettez-les en place.

## Pose ou dépose des lames de cisaille pour taille-haie

**ATTENTION** : Fixez le couvre-lame avant de déposer ou poser les lames de cisaille.

**REMARQUE** : Si d'autres pièces que les lames de cisaille comme la manivelle sont usées, demandez leur remplacement ou réparation aux centres de service après-vente Makita agréés.

### Dépose des lames de cisaille

1. Placez l'outil à l'envers.  
► **Fig.22**
2. Tout en appuyant sur le levier de verrouillage, tournez le sous couvercle dans le sens inverse des aiguilles d'une montre jusqu'à ce que  sur le sous couvercle soit aligné avec  sur le levier de verrouillage.  
► **Fig.23**: 1. Levier de verrouillage 2. Sous couvercle
3. Déposez le sous couvercle.  
► **Fig.24**: 1. Sous couvercle
4. Desserrez les deux vis avec un tournevis et déposez les lames de cisaille.  
► **Fig.25**: 1. Vis

**NOTE** : Les lames de cisaille peuvent être déposées sans retirer les vis.

5. Retirez la manivelle des lames de cisaille.  
► **Fig.26**: 1. Manivelle

**NOTE** : La manivelle peut rester dans l'outil.


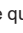
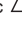
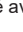
**NOTE** : Fixez le couvre-lame et le boîtier de rangement sur les lames de cisaille déposées, puis rangez-les.

### Pose des lames de cisaille

1. Préparez la manivelle, le sous couvercle et les lames de cisaille neuves.  
► **Fig.27**: 1. Manivelle 2. Sous couvercle 3. Lames de cisaille
2. Fixez le couvre-lame aux lames de cisaille.  
► **Fig.28**: 1. Couvre-lame
3. Ajustez les trois goupilles de sorte qu'elles soient alignées sur la ligne d'alignement.  
► **Fig.29**: 1. Ligne d'alignement
4. Appliquez une petite quantité de graisse sur la périphérie de la manivelle. Fixez la manivelle aux goupilles avec ses ronds petits et grands tournés vers le bas.  
► **Fig.30**: 1. Manivelle
5. Faites glisser les lames de cisaille de sorte que le trou sur la plaque de guidage soit placé au centre des anneaux des lames.  
► **Fig.31**: 1. Plaque de guidage

6. Tournez les lames de cisaille à l'envers et posez-les de sorte que la goupille sur l'outil s'insère dans le trou sur les lames de cisaille. Insérez la griffe de la plaque de guidage dans la rainure sur l'outil. Assurez-vous que les lames de cisaille sont solidement fixées en place.  
► **Fig.32**: 1. Griffe 2. Plaque de guidage

**NOTE** : En faisant coulisser légèrement vers l'avant le couvre-lame, l'installation des lames de cisaille est plus facile.

7. Serrez solidement les deux vis avec un tournevis.  
► **Fig.33**: 1. Vis
8. Placez le sous couvercle de sorte que  sur le sous couvercle soit aligné avec  sur le levier de verrouillage.  
► **Fig.34**: 1. Levier de verrouillage 2. Sous couvercle
9. Tout en appuyant sur le sous couvercle, tournez-le dans le sens des aiguilles d'une montre jusqu'à ce que  sur le sous couvercle soit aligné avec  sur le levier de verrouillage.  
► **Fig.35**: 1. Sous couvercle
10. Assurez-vous que le levier de verrouillage s'insère dans la rainure sur le sous couvercle.  
► **Fig.36**: 1. Levier de verrouillage

**ATTENTION** : N'utilisez jamais l'outil sans installer le sous couvercle.

11. Retirez le couvre-lame, puis mettez l'outil sous tension pour vérifier s'il fonctionne correctement.

**REMARQUE** : Si les lames de cisaille ne fonctionnent pas correctement, les lames ne sont pas engagées correctement dans la manivelle. Retirez les lames, puis remettez-les en place.

## Installation ou retrait du collecteur de copeaux

### Accessoire en option

**ATTENTION** : Lorsque vous installez ou retirez le collecteur de copeaux, portez toujours des gants et fixez le couvre-lame de sorte que vos mains et votre visage n'entrent pas en contact direct avec la lame.

Le collecteur de copeaux rassemble les feuilles élaguées et facilite le nettoyage ultérieur. Il s'installe d'un côté comme de l'autre de l'outil.

Pour installer le collecteur de copeaux, poussez-le contre les lames de cisaille de sorte que les crochets s'insèrent dans les trous des lames de cisaille.

► **Fig.37**: 1. Crochets 2. Trous

Pour retirer le collecteur de copeaux, appuyez sur les leviers de chaque côté pour relâcher les crochets.

► **Fig.38**: 1. Leviers

**REMARQUE** : N'essayez jamais de retirer le collecteur de copeaux en exerçant une force excessive alors que les crochets sont verrouillés dans les trous des lames.

## UTILISATION

**⚠️ AVERTISSEMENT :** Avant de commencer à tondre, enlevez les bouts de bois et les cailloux de la zone à tondre. Enlevez également les mauvaises herbes au préalable de la zone à tondre.

► Fig.39

**⚠️ AVERTISSEMENT :** Gardez vos mains à l'écart des lames.

**⚠️ ATTENTION :** Évitez autant que possible de faire fonctionner l'outil par temps très chaud. Lorsque vous utilisez l'outil, faites attention à votre condition physique.

### Tonte (pour la taille-herbes)

Mettez l'outil sous tension après avoir réglé la hauteur de tonte et tenez-le de sorte que le bas de l'outil repose sur le sol. Déplacez délicatement l'outil vers l'avant.

► Fig.40

Lorsque vous coupez autour de bordures, clôtures ou d'arbres, déplacez l'outil le long de ces obstacles. Assurez-vous que les lames n'entrent pas en contact avec eux.

► Fig.41

Lorsque vous coupez des pousses ou le feuillage d'un petit arbre, coupez progressivement.

► Fig.42

Coupez les grosses branches à la hauteur souhaitée au moyen d'un coupe-branches avant d'utiliser cet outil.

**REMARQUE :** N'utilisez pas l'outil d'une façon susceptible d'arrêter le moteur ou le faire tourner très lentement.

**REMARQUE :** N'essayez pas de couper des branches épaisses.

**REMARQUE :** Ne laissez pas les lames de cisaille entrer en contact avec le sol pendant le fonctionnement. Les lames seront émoussées, entraînant des performances médiocres.

**REMARQUE :** Ne coupez pas l'herbe mouillée ou le feuillage des arbustes.

### Tonte de pelouse haute

N'essayez pas de couper l'herbe haute d'un seul coup. Coupez plutôt la pelouse par étapes. Espacez les coupes d'un jour ou deux, jusqu'à ce que le gazon soit uniformément court.

► Fig.43

**NOTE :** L'herbe haute risque de s'étioler si vous la coupez très court d'un seul coup.

## Coupe (pour la taille-haie)

**⚠️ ATTENTION :** Prenez soin de ne pas toucher accidentellement une clôture en métal ou d'autres objets durs pendant la coupe. Les lames pourraient casser et provoquer des blessures.

**⚠️ ATTENTION :** Prenez soin de ne pas laisser les lames de cisaille entrer en contact avec le sol. L'outil pourrait avoir un mouvement de recul et provoquer des blessures.

**⚠️ ATTENTION :** Il est très dangereux de se pencher trop loin avec un taille-haie, particulièrement depuis une échelle. Ne travaillez pas en vous tenant debout sur une surface bancale ou molle.

**REMARQUE :** N'essayez pas de couper avec l'outil des branches dont l'épaisseur dépasse 10 mm de diamètre. Coupez les branches à 10 cm plus bas que la hauteur de coupe au moyen d'un coupe-branches avant d'utiliser l'outil.

► Fig.44: (1) Hauteur de coupe (2) 10 cm

**REMARQUE :** Ne coupez pas d'arbres morts ou d'objets durs semblables. Vous risqueriez d'endommager l'outil.

**REMARQUE :** Ne coupez pas l'herbe ou les mauvaises herbes pendant que vous utilisez les lames de cisaille. Les lames peuvent s'entortiller dans l'herbe ou les mauvaises herbes.

Tenez l'outil d'une main, enclenchez la gâchette tout en enfonçant le bouton de sécurité, puis avancez-le vers l'avant.

► Fig.45

Pour une utilisation élémentaire, inclinez les lames dans le sens de coupe et déplacez-le calmement et lentement à une vitesse de 3 à 4 secondes par mètre.

► Fig.46

Nouer une ficelle à la hauteur souhaitée et couper autour vous aide à couper uniformément le haut d'une haie.

► Fig.47

Si le collecteur de copeaux est fixé aux lames, il rassemble les feuilles élaguées et facilite le nettoyage ultérieur.

Pour couper uniformément le côté d'une haie, coupez de bas en haut.

► Fig.48

Pour tailler une forme ronde (taille de buis ou rhododendron, etc.), coupez depuis la racine jusqu'en haut pour obtenir un rendu magnifique.

► Fig.49

## ENTRETIEN

**⚠ ATTENTION :** Assurez-vous toujours que l'outil est hors tension et que la batterie est retirée avant d'y effectuer tout travail d'inspection ou d'entretien.

Pour assurer la SÉCURITÉ et la FIABILITÉ du produit, toute réparation, tout travail d'entretien ou de réglage doivent être effectués par un centre d'entretien Makita agréé, avec des pièces de rechange Makita.

### Nettoyage de l'outil

Nettoyez l'outil en essuyant la poussière avec un chiffon sec ou un chiffon imbibé d'eau savonneuse bien essoré.

**REMARQUE :** N'utilisez jamais d'essence, benzine, diluant, alcool ou autre produit similaire. Cela risquerait de provoquer la décoloration, la déformation ou la fissuration de l'outil.

### Entretien de la lame

Avant utilisation ou une fois toutes les heures pendant l'utilisation, appliquez de l'huile à faible viscosité (huile machine ou huile lubrifiante en vaporisateur) sur les lames.

► Fig.50

► Fig.51

Après utilisation, retirez la poussière des deux côtés des lames avec une brosse métallique, essuyez-la avec un chiffon, puis appliquez de l'huile à faible viscosité (huile machine ou huile lubrifiante en vaporisateur) sur les lames.

► Fig.52

► Fig.53

**REMARQUE :** Ne lavez pas les lames dans l'eau. Cela peut les corroder ou endommager l'outil.

**REMARQUE :** La saleté et la corrosion provoquent une friction excessive de la lame et réduisent la durée de fonctionnement par charge de batterie.

### Rangement

Le trou du crochet au bas de l'outil permet d'accrocher l'outil à un clou ou une vis au mur.

Fixez le couvre-lame aux lames de cisaille de sorte que les lames ne soient pas exposées. Rangez l'outil hors de portée des enfants. Rangez l'outil dans un endroit non exposé à l'humidité ou à la pluie.

► Fig.54: 1. Trou

► Fig.55: 1. Trou

## ACCESSOIRES EN OPTION

**⚠ ATTENTION :** Ces accessoires ou pièces complémentaires sont recommandés pour l'utilisation avec l'outil Makita spécifié dans ce mode d'emploi. L'utilisation de tout autre accessoire ou pièce complémentaire peut comporter un risque de blessure. N'utilisez les accessoires ou pièces complémentaires qu'aux fins auxquelles ils ont été conçus.

Pour obtenir plus de détails sur ces accessoires, contactez votre centre d'entretien local Makita.

- Ensemble de lame de cisaille (pour utilisation du taille-herbes)
- Couvre-lame de cisaille (pour utilisation du taille-herbes)
- Collecteur d'herbes (pour utilisation du taille-herbes)
- Accessoire poignée longue (pour utilisation du taille-herbes)
- Ensemble de lame de cisaille (pour utilisation du taille-haie)
- Couvre-lame de cisaille (pour utilisation du taille-haie)
- Collecteur de copeaux (pour utilisation du taille-haie)
- Boîtier de rangement
- Batterie et chargeur de marque Makita

**NOTE :** Il se peut que certains éléments de la liste soient compris dans l'emballage de l'outil en tant qu'accessoires standard. Ils peuvent varier d'un pays à l'autre.

# TECHNISCHE DATEN

<b>Modell:</b>		<b>UM110D</b>
Schnittbreite		110 mm
Hubzahl pro Minute		2.500 min <sup>-1</sup>
Teilenummer der Ersatz-Schermesser	Grasschere	191N23-4, 195267-4
	Heckenschere	191N24-2, 198408-1
Abmessungen (L x B x H)		331 mm x 120 mm x 130 mm
Nennspannung		18 V Gleichstrom
Nettogewicht		1,4 kg - 1,5 kg

- Wir behalten uns vor, Änderungen der technischen Daten im Zuge der Entwicklung und des technischen Fortschritts ohne vorherige Ankündigung vorzunehmen.
- Die technischen Daten und der Akku können von Land zu Land unterschiedlich sein.
- Das Gewicht kann abhängig von dem Aufsatz (den Aufsätzen), einschließlich des Akkus, unterschiedlich sein. Die leichteste und die schwerste Kombination, gemäß dem EPTA-Verfahren 01/2014, sind in der Tabelle angegeben.

## Zutreffende Akkus und Ladegeräte

Akku	BL1813G / BL1815G
Ladegerät	DC18WA

- Einige der oben aufgelisteten Akkus und Ladegeräte sind je nach Ihrem Wohngebiet eventuell nicht erhältlich.

**⚠️ WARNUNG:** Verwenden Sie nur die oben aufgeführten Akkus und Ladegeräte. Bei Verwendung irgendwelcher anderer Akkus und Ladegeräte besteht Verletzungs- und/oder Brandgefahr.

## Symbole

Nachfolgend werden Symbole beschrieben, die für das Gerät verwendet werden können. Machen Sie sich unbedingt vor der Benutzung mit ihrer Bedeutung vertraut.

	Besondere Umsicht und Aufmerksamkeit erforderlich.
	Betriebsanleitung lesen.
	Gefahr durch herausgeschleuderte Objekte.
	Halten Sie Umstehende fern.
	Die Schneidelemente laufen nach dem Ausschalten des Motors noch weiter.
	Keiner Feuchtigkeit aussetzen.
	Schutzbrille tragen.
	GEFAHR- Halten Sie Ihre Hände vom Messer fern.



Nur für EU-Länder  
Aufgrund des Vorhandenseins gefährlicher Komponenten in der Ausrüstung können Elektro- und Elektronik-Altgeräte, Akkumulatoren und Batterien sich negativ auf die Umwelt und die menschliche Gesundheit auswirken. Entsorgen Sie Elektro- und Elektronikgeräte oder Batterien nicht mit dem Hausmüll!  
In Übereinstimmung mit der Europäischen Richtlinie über Elektro- und Elektronik-Altgeräte, Akkumulatoren und Batterien, verbrauchte Akkumulatoren und Batterien sowie ihrer Anpassung an nationales Recht sollten Elektro-Altgeräte, Batterien und Akkumulatoren gemäß den Umweltschutzbestimmungen getrennt gelagert und zu einer getrennten Sammelstelle für Siedlungsabfälle geliefert werden. Dies wird durch das am Gerät angebrachte Symbol der durchgestrichenen Abfalltonne auf Rädern angezeigt.



Garantierter Schalleistungspegel gemäß der EU-Richtlinie über Außenlärm.



Schalleistungspegel gemäß der australischen NSW-Lärmschutzverordnung

## Vorgesehene Verwendung

Das Werkzeug ist zum Schneiden von Rasenkanten oder Trieben vorgesehen.

## Geräusch

Typischer A-bewerteter Geräuschpegel ermittelt gemäß EN50636-2-94:

### UM110D mit montiertem Schermesser für Grasschere

Schalldruckpegel ( $L_{pA}$ ): 70 dB (A)  
Messunsicherheit (K): 1,9 dB (A)

Der Geräuschpegel kann während des Betriebs 80 dB (A) überschreiten.

Typischer A-bewerteter Geräuschpegel ermittelt gemäß EN62841-4-2:

### UM110D mit montiertem Schermesser für Heckenschere

Schalldruckpegel ( $L_{pA}$ ): 70 dB (A)  
Messunsicherheit (K): 3 dB (A)

Der Geräuschpegel kann während des Betriebs 80 dB (A) überschreiten.

**HINWEIS:** Der (Die) angegebene(n) Schallemissionswert(e) wurde(n) im Einklang mit der Standardprüfmethode gemessen und kann (können) für den Vergleich zwischen Werkzeugen herangezogen werden.

**HINWEIS:** Der (Die) angegebene(n) Schallemissionswert(e) kann (können) auch für eine Vorbewertung des Gefährdungsgrads verwendet werden.

**⚠️ WARNUNG:** Einen Gehörschutz tragen.

**⚠️ WARNUNG:** Die Schallemission während der tatsächlichen Benutzung des Elektrowerkzeugs kann je nach der Benutzungsweise des Werkzeugs, und speziell je nach der Art des bearbeiteten Werkstücks, von dem (den) angegebenen Wert(en) abweichen.

**⚠️ WARNUNG:** Identifizieren Sie Sicherheitsmaßnahmen zum Schutz des Benutzers anhand einer Schätzung des Gefährdungsgrads unter den tatsächlichen Benutzungsbedingungen (unter Berücksichtigung aller Phasen des Arbeitszyklus, wie z. B. Ausschalt- und Leerlaufzeiten des Werkzeugs zusätzlich zur Betriebszeit).

## Schwingungen

Schwingungsgesamtwert (Drei-Achsen-Vektorsumme) ermittelt gemäß EN50636-2-94:

### UM110D mit montiertem Schermesser für Grasschere

Schwingungsemission ( $a_n$ ): 2,5 m/s<sup>2</sup> oder weniger  
Messunsicherheit (K): 1,5 m/s<sup>2</sup>

Schwingungsgesamtwert (Drei-Achsen-Vektorsumme) ermittelt gemäß EN62841-4-2:

### UM110D mit montiertem Schermesser für Heckenschere

Schwingungsemission ( $a_n$ ): 2,5 m/s<sup>2</sup> oder weniger  
Messunsicherheit (K): 1,5 m/s<sup>2</sup>

**HINWEIS:** Der (Die) angegebene(n) Vibrationsgesamtwert(e) wurde(n) im Einklang mit der Standardprüfmethode gemessen und kann (können) für den Vergleich zwischen Werkzeugen herangezogen werden.

**HINWEIS:** Der (Die) angegebene(n) Vibrationsgesamtwert(e) kann (können) auch für eine Vorbewertung des Gefährdungsgrads verwendet werden.

**⚠️ WARNUNG:** Die Vibrationsemission während der tatsächlichen Benutzung des Elektrowerkzeugs kann je nach der Benutzungsweise des Werkzeugs, und speziell je nach der Art des bearbeiteten Werkstücks, von dem (den) angegebenen Emissionswert(en) abweichen.

**⚠️ WARNUNG:** Identifizieren Sie Sicherheitsmaßnahmen zum Schutz des Benutzers anhand einer Schätzung des Gefährdungsgrads unter den tatsächlichen Benutzungsbedingungen (unter Berücksichtigung aller Phasen des Arbeitszyklus, wie z. B. Ausschalt- und Leerlaufzeiten des Werkzeugs zusätzlich zur Betriebszeit).

## EG-Konformitätserklärung

### Nur für europäische Länder

Die EG-Konformitätserklärung ist als Anhang A in dieser Bedienungsanleitung enthalten.

## SICHERHEITSWARNUNGEN

### Allgemeine Sicherheitswarnungen für Elektrowerkzeuge

**⚠️ WARNUNG:** Lesen Sie alle mit diesem Elektrowerkzeug gelieferten Sicherheitswarnungen, Anweisungen, Abbildungen und technischen Daten durch. Eine Missachtung der unten aufgeführten Anweisungen kann zu einem elektrischen Schlag, Brand und/oder schweren Verletzungen führen.

### Bewahren Sie alle Warnungen und Anweisungen für spätere Bezugnahme auf.

Der Ausdruck „Elektrowerkzeug“ in den Warnhinweisen bezieht sich auf Ihr mit Netzstrom (mit Kabel) oder Akku (ohne Kabel) betriebenes Elektrowerkzeug.

# Sicherheitswarnungen für Akku-Grasschere

## Allgemeine Anweisungen

1. Zur Gewährleistung der korrekten Bedienung muss der Benutzer diese Betriebsanleitung durchlesen, um sich mit der Handhabung des Gerätes vertraut zu machen. Unzureichend informierte Benutzer können sich und andere Personen durch unsachgemäßen Gebrauch gefährden.
2. Lassen Sie niemals zu, dass Kinder, Personen mit verminderten körperlichen, sensorischen oder geistigen Fähigkeiten oder Mangel an Erfahrung und Kenntnissen, oder Personen, die nicht mit diesen Anweisungen vertraut sind, das Werkzeug benutzen. Örtliche Vorschriften können das Alter der Bedienungsperson einschränken.
3. Benutzen Sie das Gerät mit äußerster Sorgfalt und Aufmerksamkeit.
4. Betreiben Sie das Gerät nur, wenn Sie sich in guter körperlicher Verfassung befinden. Führen Sie alle Arbeiten ruhig und sorgfältig durch. Lassen Sie gesunden Menschenverstand walten, und denken Sie daran, dass der Bediener oder Benutzer verantwortlich für Verletzungen oder Sachschäden ist, die an Personen oder ihrem Eigentum entstehen.
5. Betreiben Sie die Maschine keinesfalls, während sich Personen, besonders Kinder, oder Haustiere in der Nähe aufhalten.
6. Falls das Gerät irgendwelche Probleme oder anormale Zeichen zeigt, ist der Motor unverzüglich auszuschalten.
7. Schalten Sie den Motor aus, und nehmen Sie den Akku ab, wenn Sie das Gerät ablegen oder unbeaufsichtigt lassen, und legen Sie das Gerät an einen sicheren Ort, um die Gefährdung von Personen oder Beschädigung des Gerätes zu verhüten.
8. Vermeiden Sie die Benutzung der Maschine bei schlechten Witterungsverhältnissen, besonders bei Blitzschlaggefahr.

## Persönliche Schutzausrüstung

1. Tragen Sie während der Benutzung der Maschine stets einen Augenschutz und robuste Schuhe.
2. Tragen Sie immer kräftiges Schuhwerk und lange Hosen während der Benutzung der Maschine.

## Starten des Gerätes

1. Vergewissern Sie sich, dass sich keine Kinder oder andere Personen in der Nähe aufhalten, und achten Sie auch auf Tiere im Arbeitsbereich. Brechen Sie anderenfalls die Benutzung des Gerätes ab.
2. Prüfen Sie vor der Benutzung immer, ob das Gerät betriebssicher ist. Überprüfen Sie die Sicherheit des Schneidwerkzeugs und der Schutzhaube, und prüfen Sie den Auslöseschalter/Hebel auf Leichtgängigkeit und einwandfreie Funktion. Vergewissern Sie sich, dass die Handgriffe sauber und trocken sind, und überprüfen Sie die Start/ Stopp-Funktion.

3. Überprüfen Sie das Gerät vor der Weiterbenutzung auf beschädigte Teile. Beschädigte Schutzvorrichtungen und Teile sind sorgfältig auf ihre Betriebsfähigkeit und Funktionstüchtigkeit hin zu überprüfen. Überprüfen Sie das Werkzeug auf Ausrichtung und Klemmen beweglicher Teile, Bruchstellen, Befestigungszustand und sonstige Mängel von Teilen, die ihren Betrieb beeinträchtigen können. Beschädigte Schutzvorrichtungen oder Teile sollten von einem autorisierten Kundendienstzentrum ordnungsgemäß repariert oder ausgewechselt werden, wenn nicht anders in dieser Anleitung angegeben.
4. Schalten Sie den Motor nur ein, wenn Hände und Füße ausreichenden Abstand vom Schneidwerkzeug haben.
5. Vergewissern Sie sich vor dem Starten, dass das Schneidwerkzeug keinen Kontakt mit irgendwelchen Objekten hat.

## Betriebsmethode

1. Benutzen Sie das Gerät nur bei guten Licht- und Sichtverhältnissen. Achten Sie während der kalten Jahreszeit auf schlüpfrige oder nasse Bereiche, Eis und Schnee (Rutschgefahr). Achten Sie auf Hängen immer auf sicheren Stand, und unterlassen Sie schnelles Laufen mit dem Gerät.
2. Hüten Sie sich vor Fuß- und Handverletzungen durch das Schneidwerkzeug.
3. Betreiben Sie das Gerät niemals auf einer Leiter stehend.
4. Klettern Sie niemals auf Bäume, um Schneidarbeiten mit dem Gerät auszuführen.
5. Arbeiten Sie niemals auf instabilen Flächen.
6. Entfernen Sie Sand, Steine, Nägel usw. aus dem Arbeitsbereich. Fremdkörper können das Schneidwerkzeug beschädigen und gefährliche Rückschläge verursachen.
7. Sollte das Schneidwerkzeug Steine oder andere harte Gegenstände treffen, schalten Sie sofort den Motor aus, und überprüfen Sie das Schneidwerkzeug.
8. Überprüfen Sie das Schneidwerkzeug in kurzen regelmäßigen Zeitabständen auf Beschädigung (Überprüfung auf Haarrisse durch Klopfest).
9. Vergewissern Sie sich vor Beginn der Schneidarbeit, dass das Schneidwerkzeug die volle Arbeitsdrehzahl erreicht hat.
10. Das Schneidwerkzeug muss mit einer geeigneten Schutzhaube ausgestattet sein. Betreiben Sie das Gerät niemals mit beschädigten oder fehlenden Schutzhauben!
11. Alle mit dem Gerät gelieferten Schutzteile und Schutzhauben müssen während des Betriebs benutzt werden.
12. Nehmen Sie immer den Akku vom Gerät ab:
  - wann immer Sie das Gerät unbeaufsichtigt lassen;
  - bevor Sie eine Blockierung beseitigen;
  - bevor Sie das Gerät überprüfen, reinigen oder daran arbeiten;
  - nachdem ein Fremdkörper berührt wurde;



- wann immer das Gerät ungewöhnlich zu vibrieren beginnt.
13. Achten Sie stets darauf, dass die Belüftungsöffnungen frei von Unrat sind.
  14. Die Schneidelemente laufen nach dem Ausschalten des Motors noch weiter.
  15. Falls die Messer stehen bleiben, weil sich Fremdkörper während des Betriebs zwischen den Messern verfangen haben, schalten Sie das Werkzeug aus, nehmen Sie den Akku ab, und beseitigen Sie dann die Fremdkörper mithilfe von Werkzeugen, wie z. B. einer Zange. Beseitigen der Fremdkörper von Hand kann zu einer Verletzung führen, da sich die Messer als Reaktion auf die Beseitigung der Fremdkörper bewegen können.

#### Schneidwerkzeuge

Verwenden Sie nur das korrekte Schneidwerkzeug für die anstehende Arbeit.

#### Wartungsanweisungen

1. Überprüfen Sie immer den Zustand des Gerätes, insbesondere des Schneidwerkzeugs und der Schutzvorrichtungen, bevor Sie mit der Arbeit beginnen.
2. Schalten Sie den Motor aus, und nehmen Sie den Akku ab, bevor Sie Wartungsarbeiten ausführen, Schneidwerkzeuge auswechseln oder das Gerät oder das Schneidwerkzeug reinigen.
3. Bewahren Sie das Gerät bei Nichtgebrauch an einem trockenen, hochgelegenen oder abschließbaren Ort für Kinder unzugänglich auf. Führen Sie eine Reinigung und Wartung vor der Lagerung durch.

## DIESE ANWEISUNGEN AUFBEWAHREN.

**⚠️ WARNUNG:** Lassen Sie sich NICHT durch Bequemlichkeit oder Vertrautheit mit dem Produkt (durch wiederholten Gebrauch erworben) von der strikten Einhaltung der Sicherheitsregeln für das vorliegende Produkt abhalten. MISSBRAUCH oder Missachtung der Sicherheitsvorschriften in dieser Anleitung können schwere Verletzungen verursachen.

### Sicherheitswarnungen für Akku-Heckenschere

1. Halten Sie alle Körperteile vom Messer fern. Versuchen Sie nicht, abgeschnittenes Material zu entfernen oder zu schneidendes Material zu halten, während die Messer sich bewegen. Die Messer bewegen sich nach dem Ausschalten des Schalters noch weiter. Ein Augenblick der Unachtsamkeit während der Benutzung der Heckenschere kann zu schweren Personenschäden führen.
  2. Tragen Sie die Heckenschere bei still stehendem Messer am Handgriff, und achten Sie darauf, keinen Ein-Aus-Schalter zu betätigen. Sachgemäßes Tragen der Heckenschere verringert die Gefahr von versehentlichem Starten und daraus resultierenden Personenschäden durch die Messer.
3. Bringen Sie beim Transportieren oder Lagern der Heckenschere immer die Messerabdeckung an. Sachgemäße Handhabung der Heckenschere verringert die Gefahr von Personenschäden durch die Messer.
  4. Vergewissern Sie sich vor dem Beseitigen von eingeklemmtem Material oder dem Warten des Gerätes, dass alle Ein-Aus-Schalter ausgeschaltet sind und der Akku abgenommen oder abgetrennt ist. Unerwartete Betätigung der Heckenschere beim Beseitigen von eingeklemmtem Material oder Warten kann zu schweren Personenschäden führen.
  5. Halten Sie die Heckenschere nur an den isolierten Griffflächen, weil die Gefahr besteht, dass das Messer verborgene Kabel kontaktiert. Bei Kontakt der Messer mit einem Strom führenden Kabel können die freiliegenden Metallteile der Heckenschere ebenfalls Strom führend werden, so dass der Benutzer einen elektrischen Schlag erleiden kann.
  6. Halten Sie alle Netzkabel und Kabel vom Schneidbereich fern. Netzkabel oder Kabel können in Hecken oder Büschen verborgen sein und versehentlich durch das Messer abgeschnitten werden.
  7. Benutzen Sie die Heckenschere nicht bei schlechten Witterungsverhältnissen, besonders bei Blitzschlaggefahr. Dadurch wird die Blitzschlaggefahr verringert.

## Zusätzliche Sicherheitsanweisungen

### Vorbereitung

1. Überprüfen Sie die Hecken und Büsche auf Fremdkörper, wie z. B. Drahtzäune oder verborgene Kabel, bevor Sie das Werkzeug betreiben.
2. Das Werkzeug darf nicht von Kindern oder Jugendlichen unter 18 Jahren benutzt werden. Jugendliche über 16 Jahre können von dieser Einschränkung ausgenommen werden, wenn sie eine Schulung unter der Aufsicht eines Fachmanns durchmachen.
3. Anfänger sollten sich von einem erfahrenen Benutzer im Gebrauch des Werkzeugs unterweisen lassen.
4. Benutzen Sie das Werkzeug nur, wenn Sie sich in guter körperlicher Verfassung befinden. Ermüdung führt zu verminderter Aufmerksamkeit. Besonders hohe Aufmerksamkeit ist am Ende eines Arbeitstages erforderlich. Führen Sie alle Arbeiten ruhig und sorgfältig durch. Der Benutzer ist für alle Schäden an Dritten verantwortlich.
5. Benutzen Sie das Werkzeug niemals unter dem Einfluss von Alkohol, Drogen oder Medikamenten.
6. Arbeitshandschuhe aus robustem Leder sind Teil der Grundausrüstung des Werkzeugs und müssen bei der Arbeit immer getragen werden. Tragen Sie auch robuste Schuhe mit rutschfesten Sohlen.
7. Bevor Sie mit der Arbeit beginnen, vergewissern Sie sich, dass das Werkzeug in gutem und sicherem Arbeitszustand ist. Vergewissern Sie sich, dass Schutzhauben ordnungsgemäß angebracht sind. Das Werkzeug darf nur in vollständig montiertem Zustand benutzt werden.

## Betrieb

1. Halten Sie das Werkzeug während der Benutzung mit festem Griff.
2. Das Werkzeug ist zur Benutzung durch den Bediener auf Bodenhöhe vorgesehen. Benutzen Sie das Werkzeug nicht auf einer Leiter oder einer anderen instabilen Unterlage.
3. Tragen Sie beim Arbeiten mit dem Werkzeug nicht mehrere Tragegurte und/oder Schultergurte gleichzeitig.
4. **GEFAHR - Halten Sie Ihre Hände vom Messer fern.** Kontakt mit dem Messer führt zu ernsthaften Personenschäden.
5. **Benutzen Sie das Werkzeug nicht bei Regen oder unter nassen oder sehr feuchten Bedingungen.** Der Elektromotor ist nicht wasserdicht.
6. **Achten Sie auf sicheren Stand, bevor Sie mit der Arbeit beginnen.**
7. **Lassen Sie das Werkzeug nicht unnötig im Leerlauf laufen.**
8. **Schalten Sie das Werkzeug sofort aus, und nehmen Sie den Akku ab, falls die Schermesser mit einem Zaun oder einem anderen harten Objekt in Berührung kommen.** Überprüfen Sie die Messer auf Beschädigung, und ersetzen Sie beschädigte Messer unverzüglich.
9. **Schalten Sie stets das Werkzeug aus, und nehmen Sie den Akku ab, bevor Sie die Schermesser überprüfen, Fehler beheben oder zwischen den Schermessern eingeklemmtes Material entfernen.**
10. **Richten Sie die Schermesser niemals auf sich selbst oder andere Personen.**
11. **Falls die Messer stehen bleiben, weil sich Fremdkörper während des Betriebs zwischen den Messern verfangen haben, schalten Sie das Werkzeug aus, nehmen Sie den Akku ab, und beseitigen Sie dann die Fremdkörper mithilfe von Werkzeugen, wie z. B. einer Zange.** Beseitigen der Fremdkörper von Hand kann zu einer Verletzung führen, da sich die Messer als Reaktion auf die Beseitigung der Fremdkörper bewegen können.
12. **Vermeiden Sie gefährliche Umgebungen. Benutzen Sie das Werkzeug nicht an feuchten oder nassen Orten, und setzen Sie es auch keinem Regen aus. Wasser, das in das Werkzeug eindringt, erhöht die Stromschlaggefahr.**

## Wartung und Lagerung

1. **Schalten Sie das Werkzeug aus, und nehmen Sie den Akku ab, bevor Sie irgendwelche Wartungsarbeiten ausführen.**
2. **Wenn Sie das Werkzeug zu einem anderen Ort transportieren, auch während der Arbeit, nehmen Sie immer den Akku ab, und setzen Sie die Messerabdeckung auf die Schermesser. Tragen oder transportieren Sie das Werkzeug niemals mit laufenden Messern. Ergreifen Sie die Messer niemals mit Ihren Händen.**
3. **Reinigen Sie das Werkzeug und insbesondere die Schermesser nach jedem Gebrauch und vor längerer Lagerung des Werkzeugs. Ölen Sie die Messer leicht ein, und bringen Sie die Messerabdeckung an.**

4. **Lagern Sie das Werkzeug mit angebrachter Messerabdeckung in einem trockenen Raum. Halten Sie sie außer Reichweite von Kindern. Lagern Sie das Werkzeug niemals im Freien.**
5. **Werfen Sie den (die) Akku(s) nicht ins Feuer. Die Zelle könnte explodieren. Prüfen Sie die örtlichen Vorschriften für mögliche spezielle Entsorgungsanweisungen.**
6. **Versuchen Sie nicht, den (die) Akku(s) zu öffnen oder zu verstümmeln. Freigesetzter Elektrolyt ist korrosiv und kann Schäden an Augen oder Haut verursachen. Falls er verschluckt wird, kann er giftig sein.**
7. **Laden Sie den Akku nicht im Regen oder an nassen Orten.**

## DIESE ANWEISUNGEN AUFBEWAHREN.

**⚠️ WARNUNG:** Lassen Sie sich NICHT durch Bequemlichkeit oder Vertrautheit mit dem Produkt (durch wiederholten Gebrauch erworben) von der strikten Einhaltung der Sicherheitsregeln für das vorliegende Produkt abhalten. **MISSBRAUCH** oder Missachtung der Sicherheitsvorschriften in dieser Anleitung können schwere Verletzungen verursachen.

## Wichtige Sicherheitsanweisungen für Akku

1. **Lesen Sie vor der Benutzung des Akkus alle Anweisungen und Warnhinweise, die an (1) Ladegerät, (2) Akku und (3) Akkuwerkzeug angebracht sind.**
2. **Unterlassen Sie Zerlegen oder Manipulieren des Akkus.** Es kann sonst zu einem Brand, übermäßiger Hitzeentwicklung oder einer Explosion kommen.
3. **Falls die Betriebszeit beträchtlich kürzer geworden ist, stellen Sie den Betrieb sofort ein. Anderenfalls besteht die Gefahr von Überhitzung, möglichen Verbrennungen und sogar einer Explosion.**
4. **Falls Elektrolyt in Ihre Augen gelangt, waschen Sie sie mit sauberem Wasser aus, und begeben Sie sich unverzüglich in ärztliche Behandlung. Anderenfalls können Sie Ihre Sehkraft verlieren.**
5. **Der Akku darf nicht kurzgeschlossen werden:**
  - (1) **Die Kontakte dürfen nicht mit leitfähigem Material berührt werden.**
  - (2) **Lagern Sie den Akku nicht in einem Behälter zusammen mit anderen Metallgegenständen, wie z. B. Nägel, Münzen usw.**
  - (3) **Setzen Sie den Akku weder Wasser noch Regen aus.**

Ein Kurzschluss des Akkus verursacht starken Stromfluss, der Überhitzung, mögliche Verbrennungen und einen Defekt zur Folge haben kann.
6. **Lagern und benutzen Sie das Werkzeug und den Akku nicht an Orten, an denen die Temperatur 50 °C erreichen oder überschreiten kann.**

7. **Versuchen Sie niemals, den Akku zu verbrennen, selbst wenn er stark beschädigt oder vollkommen verbraucht ist. Der Akku kann im Feuer explodieren.**
8. **Unterlassen Sie Nageln, Schneiden, Zerquetschen, Werfen, Fallenlassen des Akkus oder Schlagen des Akkus mit einem harten Gegenstand.** Eine solche Handlung kann zu einem Brand, übermäßiger Hitzeentwicklung oder einer Explosion führen.
9. **Benutzen Sie keine beschädigten Akkus.**
10. **Die enthaltenen Lithium-Ionen-Akkus unterliegen den Anforderungen der Gefahrgut-Gesetzgebung.**  
Für kommerzielle Transporte, z. B. durch Dritte oder Spediteure, müssen besondere Anforderungen zu Verpackung und Etikettierung beachtet werden.  
Zur Vorbereitung des zu transportierenden Artikels ist eine Beratung durch einen Experten für Gefahrgut erforderlich. Bitte beachten Sie möglicherweise ausführlichere nationale Vorschriften. Überkleben oder verdecken Sie offene Kontakte, und verpacken Sie den Akku so, dass er sich in der Verpackung nicht umher bewegen kann.
11. **Entfernen Sie den Akku zum Entsorgen vom Werkzeug, und entsorgen Sie ihn an einem sicheren Ort. Befolgen Sie die örtlichen Vorschriften bezüglich der Entsorgung von Akkus.**
12. **Verwenden Sie die Akkus nur mit den von Makita angegebenen Produkten.** Das Einsetzen der Akkus in nicht konforme Produkte kann zu einem Brand, übermäßiger Hitzebildung, einer Explosion oder Auslaufen von Elektrolyt führen.
13. **Soll das Werkzeug längere Zeit nicht benutzt werden, muss der Akku vom Werkzeug entfernt werden.**
14. **Bei und nach dem Gebrauch kann der Akku heiß werden, was Verbrennungen oder Niedertemperaturverbrennungen verursachen kann. Beachten Sie die Handhabung von heißen Akkus.**
15. **Berühren Sie nicht den Anschlusskontakt des Werkzeugs unmittelbar nach dem Gebrauch, da er heiß genug werden kann, um Verbrennungen zu verursachen.**
16. **Achten Sie darauf, dass sich keine Späne, Staub oder Schmutz in den Anschlusskontakten, Löchern und Nuten des Akkus absetzen.** Dies kann zu einer LeistungseinbuÙe oder Betriebsstörung des Werkzeugs oder des Akkus führen.
17. **Wenn das Werkzeug den Einsatz in der Nähe einer Hochspannungs-Stromleitung nicht unterstützt, benutzen Sie den Akku nicht in der Nähe einer Hochspannungs-Stromleitung.** Dies kann zu einer Funktionsstörung oder Betriebsstörung des Werkzeugs oder des Akkus führen.
18. **Halten Sie die Batterie von Kindern fern.**

## **DIESE ANWEISUNGEN AUFBEWAHREN.**

**⚠VORSICHT:** Verwenden Sie nur Original-Makita-Akkus. Die Verwendung von Nicht-Original-Makita-Akkus oder von Akkus, die abgeändert worden sind, kann zum Bersten des Akkus und daraus resultierenden Bränden, Personenschäden und Beschädigung führen. Außerdem wird dadurch die Makita-Garantie für das Makita-Werkzeug und -Ladegerät ungültig.

## **Hinweise zur Aufrechterhaltung der maximalen Akku-Nutzungsdauer**

1. **Laden Sie den Akku, bevor er vollkommen erschöpft ist. Schalten Sie das Werkzeug stets aus, und laden Sie den Akku, wenn Sie ein Nachlassen der Werkzeugleistung feststellen.**
2. **Unterlassen Sie erneutes Laden eines voll aufgeladenen Akkus. Überladen führt zu einer Verkürzung der Nutzungsdauer des Akkus.**
3. **Laden Sie den Akku bei Raumtemperatur zwischen 10 – 40 °C. Lassen Sie einen heißen Akku abkühlen, bevor Sie ihn laden.**
4. **Wenn Sie den Akku nicht benutzen, nehmen Sie ihn vom Werkzeug oder Ladegerät ab.**
5. **Der Akku muss geladen werden, wenn er lange Zeit (länger als sechs Monate) nicht benutzt wird.**

## **FUNKTIONSBESCHREIBUNG**

**⚠VORSICHT:** Vergewissern Sie sich vor der Durchführung von Einstellungen oder Funktionsprüfungen des Werkzeugs stets, dass das Werkzeug ausgeschaltet und der Akku abgenommen ist.

## **Benutzung des Werkzeugs als Akku-Heckenschere**

Durch Montieren der Schermesser für die Heckenschere kann dieses Werkzeug als Akku-Heckenschere verwendet werden.

## **Anbringen und Abnehmen des Akkus**

**⚠VORSICHT:** Schalten Sie das Werkzeug stets aus, bevor Sie den Akku anbringen oder abnehmen.

**⚠VORSICHT:** Halten Sie das Werkzeug und den Akku beim Anbringen oder Abnehmen des Akkus sicher fest. Wenn Sie das Werkzeug und den Akku nicht sicher festhalten, können sie Ihnen aus der Hand rutschen, was zu einer Beschädigung des Werkzeugs und des Akkus und zu Körperverletzungen führen kann.

► **Abb.1:** 1. Rote Anzeige 2. Knopf 3. Akku

Ziehen Sie den Akku zum Abnehmen vom Werkzeug ab, während Sie den Knopf an der Vorderseite des Akkus verschieben.

Richten Sie zum Anbringen des Akkus dessen Führungsfeder auf die Nut im Gehäuse aus, und schieben Sie den Akku hinein. Schieben Sie ihn vollständig ein, bis er mit einem leisen Klicken einrastet. Wenn Sie die rote Anzeige sehen können, wie in der Abbildung gezeigt, ist der Akku nicht vollständig verriegelt.

**⚠ VORSICHT:** Schieben Sie den Akku stets bis zum Anschlag ein, bis die rote Anzeige nicht mehr sichtbar ist. Anderenfalls kann er aus dem Werkzeug herausfallen und Sie oder umstehende Personen verletzen.

**⚠ VORSICHT:** Unterlassen Sie Gewaltanwendung beim Anbringen des Akkus. Falls der Akku nicht reibungslos hineingleitet, ist er nicht richtig ausgerichtet.

## Werkzeug/Akku-Schutzsystem

Das Werkzeug ist mit einem Werkzeug/Akku-Schutzsystem ausgestattet. Dieses System schaltet die Stromversorgung des Motors automatisch ab, um die Lebensdauer von Werkzeug und Akku zu verlängern. Das Werkzeug bleibt während des Betriebs automatisch stehen, wenn das Werkzeug oder der Akku einer der folgenden Bedingungen unterliegt:

### Überlastschutz

Wird der Akku auf eine Weise benutzt, die eine ungewöhnlich hohe Stromaufnahme bewirkt, bleibt das Werkzeug automatisch stehen. Schalten Sie in dieser Situation das Werkzeug aus, und brechen Sie die Arbeit ab, die eine Überlastung des Werkzeugs verursacht hat. Schalten Sie dann das Werkzeug wieder ein, um es neu zu starten.

### Überhitzungsschutz

Wenn der Akku überhitzt wird, bleibt das Werkzeug automatisch stehen. Lassen Sie Werkzeug und Akku in diesem Fall abkühlen, bevor Sie das Werkzeug wieder einschalten.

### Überentladungsschutz

Wenn die Akkukapazität unzureichend wird, bleibt das Werkzeug automatisch stehen. Wenn Sie das Werkzeug einschalten, läuft der Motor wieder an, bleibt aber bald darauf stehen. Nehmen Sie in diesem Fall den Akku vom Werkzeug ab, und laden Sie ihn auf.

## Schalterfunktion

**⚠ WARNUNG:** Vergewissern Sie sich vor dem Einsetzen des Akkus in das Werkzeug stets, dass der Ein-Aus-Schalter ordnungsgemäß funktioniert und beim Loslassen in die AUS-Stellung zurückkehrt.

**⚠ WARNUNG:** Aus Sicherheitsgründen ist dieses Werkzeug mit einem Einschaltsperrknopf ausgestattet, die versehentliches Starten des Werkzeugs verhütet. Betreiben Sie das Werkzeug niemals, wenn es durch bloße Betätigung des Auslöseschalters eingeschaltet werden kann, ohne den Einschaltsperrknopf zu drücken. Wenden Sie sich bezüglich einer Reparatur an Ihre örtliche Makita-Kundendienststelle.

**⚠ WARNUNG:** Auf keinen Fall darf die Sperrfunktion deaktiviert oder der Einschaltsperrknopf mit Klebeband festgeklebt werden.

**ANMERKUNG:** Betätigen Sie den Auslöseschalter nicht gewaltsam, ohne den Einschaltsperrknopf zu drücken. Anderenfalls kann der Schalter beschädigt werden.

► **Abb.2:** 1. Ein-Aus-Schalter 2. Einschaltsperrknopf

Um versehentliche Betätigung des Auslöseschalters zu verhüten, ist das Werkzeug mit einem Einschaltsperrknopf ausgestattet.

Zum Starten des Werkzeugs drücken Sie erst den Einschaltsperrknopf und betätigen dann den Auslöseschalter. Zum Ausschalten lassen Sie den Auslöseschalter los. Der Einschaltsperrknopf kann entweder von rechts oder links gedrückt werden.

## Anzeigelampe

Die Anzeigelampe blinkt oder leuchtet auf, wenn die Akku-Restkapazität niedrig oder aufgebraucht ist. Die Anzeigelampe leuchtet auch auf, wenn das Werkzeug überlastet wird.

► **Abb.3:** 1. Anzeigelampe

### Lampenstatus und zu ergreifende Maßnahme

Anzeigelampe	Status	Zu ergreifende Maßnahme
Die Lampe blinkt rot.	Die Akku-Restkapazität ist niedrig.	Laden Sie den Akku auf.
Die Lampe leuchtet rot auf. *	Das Werkzeug ist stehen geblieben, weil der Akku erschöpft ist.	Laden Sie den Akku auf.
	Das Werkzeug ist wegen Überlastung stehen geblieben.	Schalten Sie das Werkzeug aus.

\* Der Zeitpunkt, zu dem die Anzeigelampe aufleuchtet, hängt von der Temperatur am Arbeitsplatz und dem Zustand des Akkus ab.

## Einstellen der Scherhöhe (für Grasschere)

### Sonderzubehör

**⚠ VORSICHT:** Wenn Sie die Scherhöhe ändern, bringen Sie unbedingt die Messerabdeckung an, und achten Sie darauf, dass Ihre Finger nicht zwischen dem Werkzeug und dem Grasfänger eingeklemmt werden.

Die Scherhöhe kann durch Ändern der festen Position des Grasfängers auf drei Stufen eingestellt werden (15 mm, 20 mm und 25 mm). Die Scherhöhe ohne den Grasfänger beträgt etwa 10 mm.

1. Schieben Sie den Grasfänger zur Vorderseite des Werkzeugs.

► **Abb.4:** 1. Grasfänger

2. Ändern Sie die feste Position des Grasfängers, indem Sie ihn in Pfeilrichtung schieben.

► **Abb.5**

**HINWEIS:** Der Scherhöhenwert ist eine Orientierungshilfe. Die tatsächliche Scherhöhe kann je nach dem Zustand des Rasens oder des Bodens schwanken.

**HINWEIS:** Machen Sie einen Schertest an einer unauffälligeren Stelle, um die gewünschte Höhe zu erhalten.

## MONTAGE

**⚠ VORSICHT:** Vergewissern Sie sich vor der Ausführung von Arbeiten am Werkzeug stets, dass das Werkzeug ausgeschaltet und der Akku abgenommen ist.

**⚠ VORSICHT:** Tragen Sie beim Auswechseln der Schermesser immer Handschuhe, und bringen Sie die Messerabdeckung an, damit Ihre Hände und Ihr Gesicht nicht direkt mit den Messern in Berührung kommen.

**ANMERKUNG:** Wischen Sie beim Auswechseln der Schermesser kein Schmierfett von Zahnrad und Kurbel ab.

## Montieren und Demontieren der Messerabdeckung

**⚠ VORSICHT:** Achten Sie beim Montieren oder Demontieren der Messerabdeckung darauf, dass Sie nicht mit den Messern in Berührung kommen.

Zum Entfernen der Messerabdeckung ziehen Sie leicht daran, und schieben Sie sie dann seitwärts. Zum Montieren der Messerabdeckung führen Sie die Schritte umgekehrt aus.

► **Abb.6**

## Montieren und Demontieren des Grasfängers

### Sonderzubehör

**⚠ VORSICHT:** Wenn Sie den Grasfänger montieren oder demontieren, bringen Sie unbedingt die Messerabdeckung an, und achten Sie darauf, dass Ihre Finger nicht zwischen dem Werkzeug und dem Grasfänger eingeklemmt werden.

## Montieren des Grasfängers

1. Hängen Sie die Drehachse des Grasfängers in die Nut des Werkzeugs ein.

► **Abb.7:** 1. Drehachse 2. Grasfänger

2. Richten Sie die Vorsprünge am Grasfänger auf die Nuten am Werkzeug aus, indem Sie den Grasfänger zur Vorderseite des Werkzeugs schieben und in Pfeilrichtung bewegen.

► **Abb.8**

**ANMERKUNG:** Bringen Sie die Drehachse des Grasfängers nicht gewaltsam am Werkzeug an, nachdem Sie die Vorsprünge am Grasfänger auf die Nuten am Werkzeug ausgerichtet haben.

## Demontieren des Grasfängers

1. Lösen Sie die Vorsprünge am Grasfänger aus den Nuten am Werkzeug, während Sie den Grasfänger zur Vorderseite des Werkzeugs schieben.

► **Abb.9:** 1. Grasfänger

2. Lösen Sie die Drehachse des Grasfängers vom Werkzeug.



## Montieren und Demontieren der Schermesser für die Grasschere

**ANMERKUNG:** Falls andere Teile außer den Schermessern, wie z. B. die Kurbel, verschlissen sind, wenden Sie sich für einen Teileaustausch oder Reparaturen an ein autorisiertes Makita-Servicecenter.

## Demontieren der Schermesser

1. Demontieren Sie den Grasfänger, falls er montiert ist. Drehen Sie das Werkzeug um.

► **Abb.10**

2. Während Sie den Verriegelungshebel drücken, drehen Sie die Bodenabdeckung entgegen dem Uhrzeigersinn, bis  an der Bodenabdeckung auf  am Verriegelungshebel ausgerichtet ist.

► **Abb.11:** 1. Bodenabdeckung 2. Verriegelungshebel





3. Demontieren von Bodenabdeckung, Schermessern und Kurbel.

► **Abb.12:** 1. Bodenabdeckung 2. Schermesser 3. Kurbel

## Montieren der Schermesser

1. Halten Sie die Kurbel, die Bodenabdeckung und neue Schermesser bereit.  
▶ **Abb.13:** 1. Kurbel 2. Bodenabdeckung  
3. Schermesser
2. Entfernen Sie die Messerabdeckung von den alten Schermessern, und bringen Sie sie dann an den neuen an.  
▶ **Abb.14:** 1. Messerabdeckung
3. Stellen Sie die drei Stifte so ein, dass sie auf der Ausrichtlinie fluchten.  
▶ **Abb.15:** 1. Ausrichtlinie
4. Tragen Sie ein wenig Schmierfett auf den Rand der Kurbel auf. Bringen Sie die Kurbel so an den Stiften an, dass der kleine und der große Ring nach oben weisen.  
▶ **Abb.16:** 1. Kurbel
5. Stellen Sie die Messer und die Führungsplatte so ein, dass die Öffnung in der Führungsplatte und die beiden Vorsprünge an den Messern aufeinander ausgerichtet sind.  
▶ **Abb.17:** 1. Führungsplatte
6. Drehen Sie die Schermesser um, und montieren Sie sie so, dass die Stifte am Werkzeug in die Öffnung der Führungsplatte passen. Vergewissern Sie sich, dass die Schermesser einwandfrei befestigt sind.  
▶ **Abb.18:** 1. Führungsplatte

**HINWEIS:** Durch geringfügiges Verschieben der Messerabdeckung lassen sich die Schermesser leichter installieren.

7. Platzieren Sie die Bodenabdeckung so, dass  an der Bodenabdeckung auf  am Verriegelungshebel ausgerichtet ist.  
▶ **Abb.19:** 1. Bodenabdeckung 2. Verriegelungshebel
8. Während Sie die Bodenabdeckung drücken, drehen Sie die Bodenabdeckung im Uhrzeigersinn, bis  an der Bodenabdeckung auf  am Verriegelungshebel ausgerichtet ist.  
▶ **Abb.20:** 1. Bodenabdeckung 2. Verriegelungshebel
9. Vergewissern Sie sich, dass der Verriegelungshebel in der Nut der Bodenabdeckung sitzt.  
▶ **Abb.21:** 1. Verriegelungshebel

**⚠ VORSICHT:** Benutzen Sie das Werkzeug niemals ohne die Bodenabdeckung.

10. Entfernen Sie die Messerabdeckung, und schalten Sie dann das Werkzeug ein, um zu prüfen, ob es ordnungsgemäß funktioniert.



**ANMERKUNG:** Falls die Schermesser nicht ordnungsgemäß funktionieren, stehen die Messer nicht richtig mit der Kurbel in Eingriff. Entfernen Sie die Messer, und montieren Sie sie wieder.

## Montieren und Demontieren der Schermesser für die Heckenschere

**⚠ VORSICHT:** Bringen Sie die Messerabdeckung an, bevor Sie die Schermesser demontieren oder montieren.

**ANMERKUNG:** Falls andere Teile außer den Schermessern, wie z. B. die Kurbel, verschlissen sind, wenden Sie sich für einen Teileaustausch oder Reparaturen an ein autorisiertes Makita-Servicecenter.

## Demontieren der Schermesser

1. Drehen Sie das Werkzeug um.  
▶ **Abb.22**
2. Während Sie den Verriegelungshebel drücken, drehen Sie die Bodenabdeckung entgegen dem Uhrzeigersinn, bis  an der Bodenabdeckung auf  am Verriegelungshebel ausgerichtet ist.  
▶ **Abb.23:** 1. Verriegelungshebel 2. Bodenabdeckung
3. Entfernen Sie die Bodenabdeckung.  
▶ **Abb.24:** 1. Bodenabdeckung
4. Lösen Sie zwei Schrauben mit einem Schraubendreher, und entfernen Sie die Schermesser.  
▶ **Abb.25:** 1. Schrauben

**HINWEIS:** Die Schermesser können abgenommen werden, ohne die Schrauben herauszudrehen.

5. Entfernen Sie die Kurbel von den Schermessern.  
▶ **Abb.26:** 1. Kurbel

**HINWEIS:** Die Kurbel kann im Werkzeug verbleiben.





**HINWEIS:** Bringen Sie die Messerabdeckung und die Aufbewahrungsbox an den demontierten Schermessern an, und lagern Sie dann die Messer.

## Montieren der Schermesser

1. Halten Sie die Kurbel, die Bodenabdeckung und neue Schermesser bereit.  
▶ **Abb.27:** 1. Kurbel 2. Bodenabdeckung  
3. Schermesser
2. Bringen Sie die Messerabdeckung an den Schermessern an.  
▶ **Abb.28:** 1. Messerabdeckung
3. Stellen Sie die drei Stifte so ein, dass sie auf der Ausrichtlinie fluchten.  
▶ **Abb.29:** 1. Ausrichtlinie
4. Tragen Sie ein wenig Schmierfett auf den Rand der Kurbel auf. Bringen Sie die Kurbel so an den Stiften an, dass der kleine und der große Ring nach unten weisen.  
▶ **Abb.30:** 1. Kurbel
5. Verschieben Sie die Schermesser so, dass die Öffnung in der Führungsplatte in der Mitte der Ringe der Messer positioniert ist.  
▶ **Abb.31:** 1. Führungsplatte

6. Drehen Sie die Schermesser um, und montieren Sie sie so, dass der Stift am Werkzeug in die Öffnung der Schermesser passt. Führen Sie die Klaue der Führungsplatte in die Nut des Werkzeugs ein. Vergewissern Sie sich, dass die Schermesser einwandfrei befestigt sind.  
► **Abb.32:** 1. Klaue 2. Führungsplatte

**HINWEIS:** Durch geringfügiges Verschieben der Messerabdeckung lassen sich die Schermesser leichter installieren.

7. Ziehen Sie die beiden Schrauben mit einem Schraubendreher fest an.  
► **Abb.33:** 1. Schrauben
8. Platzieren Sie die Bodenabdeckung so, dass  an der Bodenabdeckung auf  am Verriegelungshebel ausgerichtet ist.  
► **Abb.34:** 1. Verriegelungshebel 2. Bodenabdeckung
9. Während Sie die Bodenabdeckung drücken, drehen Sie die Bodenabdeckung im Uhrzeigersinn, bis  an der Bodenabdeckung auf  am Verriegelungshebel ausgerichtet ist.  
► **Abb.35:** 1. Bodenabdeckung
10. Vergewissern Sie sich, dass der Verriegelungshebel in der Nut der Bodenabdeckung sitzt.  
► **Abb.36:** 1. Verriegelungshebel

**⚠ VORSICHT:** Benutzen Sie das Werkzeug niemals ohne die Bodenabdeckung.

11. Entfernen Sie die Messerabdeckung, und schalten Sie dann das Werkzeug ein, um zu prüfen, ob es ordnungsgemäß funktioniert.

**ANMERKUNG:** Falls die Schermesser nicht ordnungsgemäß funktionieren, stehen die Messer nicht richtig mit der Kurbel in Eingriff. Entfernen Sie die Messer, und montieren Sie sie wieder.

## Montieren und Demontieren des Spänefängers

### Sonderzubehör

**⚠ VORSICHT:** Tragen Sie beim Montieren oder Demontieren des Spänefängers immer Handschuhe, und bringen Sie die Messerabdeckung an, damit Ihre Hände und Ihr Gesicht nicht direkt mit dem Messer in Berührung kommen.

Der Spänefänger sammelt ausgeworfene Blätter auf und erleichtert die Reinigung nach der Arbeit erheblich. Er kann auf beiden Seiten des Werkzeugs angebracht werden.

Zum Montieren des Spänefängers drücken Sie ihn gegen die Schermesser, so dass die Haken in den Öffnungen der Schermesser sitzen.

► **Abb.37:** 1. Haken 2. Öffnungen

Zum Demontieren des Spänefängers drücken Sie die Hebel auf beiden Seiten, um die Haken zu lösen.

► **Abb.38:** 1. Hebel

**ANMERKUNG:** Versuchen Sie niemals, den Spänefänger gewaltsam zu entfernen, solange die Haken in den Öffnungen der Messer eingerastet sind.

## BETRIEB

**⚠ WARNUNG:** Bevor Sie mit dem Scheren beginnen, entfernen Sie Äste und Steine vom Scherbereich. Beseitigen Sie vorher auch jegliches Unkraut im Scherbereich.

► **Abb.39**

**⚠ WARNUNG:** Halten Sie Ihre Hände von den Messern fern.

**⚠ VORSICHT:** Vermeiden Sie den Betrieb des Werkzeugs bei sehr heißem Wetter so weit wie praktikabel. Nehmen Sie beim Betreiben des Werkzeugs Rücksicht auf Ihre körperliche Verfassung.

## Scheren (für Grasschere)

Schalten Sie das Werkzeug ein, nachdem Sie die Scherhöhe eingestellt haben, und halten Sie es so, dass die Unterseite des Werkzeugs auf dem Boden aufliegt. Schieben Sie das Werkzeug sachte vorwärts.  
► **Abb.40**

Wenn Sie um Bordsteine, Zäune oder Bäume herum schneiden, bewegen Sie das Werkzeug an ihnen entlang. Achten Sie darauf, dass die Messer nicht mit ihnen in Berührung kommen.

► **Abb.41**

Schneiden Sie Triebe oder Blätter eines kleinen Baumes Stück für Stück.

► **Abb.42**

Schneiden Sie große Äste vor Gebrauch dieses Werkzeugs mit Astschneidern auf die gewünschte Höhe.

**ANMERKUNG:** Benutzen Sie das Werkzeug nicht auf eine Weise, die Stoppen oder äußerst langsames Drehen des Motors verursacht.

**ANMERKUNG:** Versuchen Sie nicht, dicke Äste zu schneiden.

**ANMERKUNG:** Achten Sie während des Betriebs darauf, dass die Schermesser nicht den Boden berühren. Anderenfalls werden die Messer stumpf, so dass sich die Schnittleistung verschlechtert.

**ANMERKUNG:** Schneiden Sie kein nasses Gras oder Blätter von kleinen Bäumen.

## Schneiden von langem Gras

Versuchen Sie nicht, langes Gras in einem Durchgang zu schneiden. Schneiden Sie statt dessen den Rasen in mehreren Durchgängen. Lassen Sie ein oder zwei Tage zwischen den Schneiddurchgängen offen, bis der Rasen gleichmäßig kurz wird.  
► **Abb.43**

**HINWEIS:** Der Versuch, langes Gras in einem Durchgang auf eine kurze Länge zu schneiden, kann dazu führen, dass das Gras abstirbt.

## Trimmen (für Heckenschere)

**⚠ VORSICHT:** Lassen Sie beim Trimmen Vorsicht walten, damit die Messer nicht versehentlich einen Metallzaun oder andere harte Gegenstände berühren. Anderenfalls können die Messer brechen und eine Verletzung verursachen.

**⚠ VORSICHT:** Achten Sie darauf, dass die Schermesser nicht den Boden berühren. Anderenfalls kann das Werkzeug zurückschnellen und eine Verletzung verursachen.

**⚠ VORSICHT:** Strecken Sie sich beim Schneiden mit einer Heckenschere, besonders auf einer Leiter, nicht zu weit nach vorn, da dies äußerst gefährlich ist. Schneiden Sie nicht, während Sie auf einer wackligen oder instabilen Unterlage stehen.

**ANMERKUNG:** Versuchen Sie nicht, Äste von mehr als 10 mm Durchmesser mit dem Werkzeug zu schneiden. Schneiden Sie Äste vor Gebrauch dieses Werkzeugs mit Astschneidern auf 10 cm unter der Schnitthöhe.

► **Abb.44:** (1) Schnitthöhe (2) 10 cm

**ANMERKUNG:** Schneiden Sie keine toten Bäume oder ähnliche harte Objekte um. Dadurch kann das Werkzeug beschädigt werden.

**ANMERKUNG:** Schneiden Sie kein Gras oder Unkraut, während Sie die Schermesser benutzen. Gras oder Unkraut können sich in den Messern verheddern.

Halten Sie das Werkzeug mit einer Hand, betätigen Sie den Auslöseschalter, während Sie den Einschaltsperrknopf drücken, und bewegen Sie es dann vorwärts.

► **Abb.45**

Bei grundlegendem Betrieb neigen Sie die Messer in die Schneidrichtung, und bewegen Sie das Werkzeug ruhig und langsam mit einer Vorschubrate von 3 bis 4 Sekunden pro Meter vor.

► **Abb.46**

Anbinden einer Schnur an der gewünschten Höhe und Trimmen entlang der Schnur helfen Ihnen, die Oberseite einer Hecke gerade zu schneiden.

► **Abb.47**

Durch Anbringen des Spänefängers an den Messern werden ausgeworfene Blätter aufgesammelt und die Reinigung nach der Arbeit erheblich erleichtert.

Um eine gerade Seitenkante einer Hecke zu erhalten, schneiden Sie von unten nach oben.

► **Abb.48**

Wenn Sie eine runde Form schneiden wollen (Trimmen von Buchsbaum oder Rhododendron usw.), trimmen Sie von der Wurzel nach oben, um eine schöne Ausführung zu erhalten.

► **Abb.49**

## WARTUNG

**⚠ VORSICHT:** Vergewissern Sie sich vor der Durchführung von Inspektions- oder Wartungsarbeiten stets, dass das Werkzeug ausgeschaltet und der Akku abgenommen ist.

Um die SICHERHEIT und ZUVERLÄSSIGKEIT dieses Produkts zu gewährleisten, sollten Reparaturen und andere Wartungs- oder Einstellarbeiten nur von Makita-Vertragswerkstätten oder Makita-Kundendienstzentren unter ausschließlicher Verwendung von Makita-Originalersatzteilen ausgeführt werden.

## Reinigen des Werkzeugs

Reinigen Sie das Werkzeug, indem Sie es mit einem trockenen oder einem in Seifenwasser getauchten und ausgewrungenen Tuch abwischen.

**ANMERKUNG:** Verwenden Sie auf keinen Fall Benzin, Waschbenzin, Verdünnern, Alkohol oder dergleichen. Solche Mittel können Verfärbung, Verformung oder Rissbildung verursachen.

## Messerwartung

Tragen Sie vor der Arbeit oder einmal pro Stunde während der Arbeit Öl von niedriger Viskosität (Maschinenöl oder Sprühschmieröl) auf die Messer auf.

► **Abb.50**

► **Abb.51**

Entfernen Sie nach der Arbeit Staub von beiden Seiten der Messer mit einer Drahtbürste, wischen Sie die Messer mit einem Tuch ab, und tragen Sie dann Öl von niedriger Viskosität (Maschinenöl oder Sprühschmieröl) auf die Messer auf.

► **Abb.52**

► **Abb.53**

**ANMERKUNG:** Waschen Sie die Messer nicht in Wasser. Dadurch kann Rostbildung gefördert oder eine Beschädigung des Werkzeugs verursacht werden.

**ANMERKUNG:** Schmutz und Korrosion verursachen übermäßige Messerreibung und verkürzen die Betriebszeit pro Akkuladung.

## Lagerung

Das Aufhängerloch im Unterteil des Werkzeugs ist praktisch, um das Werkzeug an einen Nagel oder eine Schraube an der Wand zu hängen.

Bringen Sie die Messerabdeckung an den Schermessern an, damit die Messer nicht ungeschützt sind. Lagern Sie das Werkzeug außer Reichweite von Kindern. Lagern Sie das Werkzeug an einem Ort, der weder Feuchtigkeit noch Regen ausgesetzt ist.

► **Abb.54:** 1. Loch

► **Abb.55:** 1. Loch



# SONDERZUBEHÖR

**⚠ VORSICHT:** Die folgenden Zubehörteile oder Vorrichtungen werden für den Einsatz mit dem in dieser Anleitung beschriebenen Makita-Werkzeug empfohlen. Die Verwendung anderer Zubehörteile oder Vorrichtungen kann eine Verletzungsgefahr darstellen. Verwenden Sie Zubehörteile oder Vorrichtungen nur für ihren vorgesehenen Zweck.

Wenn Sie weitere Einzelheiten bezüglich dieser Zubehörteile benötigen, wenden Sie sich bitte an Ihre Makita-Kundendienststelle.

- Schermessereinheit (für Gebrauch mit Grasschere)
- Schermesserabdeckung (für Gebrauch mit Grasschere)
- Grasfänger (für Gebrauch mit Grasschere)
- Langgriffeinheit (für Gebrauch mit Grasschere)
- Schermessereinheit (für Gebrauch mit Heckenschere)
- Schermesserabdeckung (für Gebrauch mit Heckenschere)
- Spänefänger (für Gebrauch mit Heckenschere)
- Aufbewahrungsbox
- Original-Makita-Akku und -Ladegerät

**HINWEIS:** Manche Teile in der Liste können als Standardzubehör im Werkzeugsatz enthalten sein. Sie können von Land zu Land unterschiedlich sein.

## DATI TECNICI

<b>Modello:</b>		<b>UM110D</b>
Larghezza di taglio		110 mm
Colpi al minuto		2.500 min <sup>-1</sup>
Numero parte delle lame a cesoie di sostituzione	Cesoie tagliaerba	191N23-4, 195267-4
	Tagliasiepi	191N24-2, 198408-1
Dimensioni (L x P x A)		331 mm x 120 mm x 130 mm
Tensione nominale		18 V CC
Peso netto		1,4 kg - 1,5 kg

- A causa del nostro programma continuativo di ricerca e sviluppo, i dati tecnici sono soggetti a modifiche senza preavviso.
- I dati tecnici e la cartuccia della batteria potrebbero differire da nazione a nazione.
- Il peso può variare a seconda dell'accessorio o degli accessori, inclusa la cartuccia della batteria. La combinazione più leggera e quella più pesante, secondo la procedura EPTA 01/2014, sono indicate nella tabella.

## Cartuccia della batteria e caricabatterie applicabili

Cartuccia della batteria	BL1813G / BL1815G
Caricabatterie	DC18WA

- Alcune cartucce delle batterie e alcuni caricabatterie elencati sopra potrebbero non essere disponibili a seconda della propria area geografica di residenza.

**⚠ AVVERTIMENTO:** Utilizzare solo le cartucce delle batterie e i caricabatterie elencati sopra. L'utilizzo di altre cartucce delle batterie e di altri caricabatterie potrebbe causare lesioni personali e/o un incendio.

## Simboli

Le figure seguenti mostrano i simboli utilizzati per l'apparecchio. Accertarsi di comprenderne il significato prima dell'uso.

	Adottare cura e attenzione particolari.
	Leggere il manuale d'uso.
	Pericolo; fare attenzione agli oggetti scagliati.
	Tenere lontani gli astanti.
	Gli strumenti da taglio continuano a funzionare dopo lo spegnimento del motore.
	Non esporre all'umidità.
	Indossare occhiali di sicurezza.
	Indossare occhiali di sicurezza.
	PERICOLO: tenere le mani lontane dalla lama.



Solo per le nazioni dell'EU  
A causa della presenza di componenti pericolosi nelle apparecchiature, i rifiuti di apparecchiature elettriche ed elettroniche, accumulatori e batterie potrebbero produrre un impatto negativo sull'ambiente e sulla salute umana.  
Non smaltire elettrodomestici elettrici ed elettronici o batterie insieme ai rifiuti domestici!  
In conformità alla direttiva europea sui rifiuti di apparecchiature elettriche ed elettroniche (RAEE), sugli accumulatori e le batterie, nonché sui rifiuti di accumulatori e batterie, e al suo adattamento alle normative nazionali, i rifiuti di apparecchiature elettriche ed elettroniche, batterie e accumulatori vanno conservati separatamente e conferiti a un punto di raccolta separato per i rifiuti comunali, operando in conformità alle normative per la protezione dell'ambiente.  
Tale requisito viene indicato mediante il simbolo del bidone della spazzatura con ruote barrato apposto sull'apparecchio.



Livello di potenza sonora garantita in base alla Direttiva rumore macchine all'aperto UE.



Livello di potenza sonora in base alla normativa sul controllo del rumore NSW australiana

## Utilizzo previsto

L'utensile è destinato al taglio di bordi dei prati o di germogli.

## Rumore

Livello tipico di rumore pesato A determinato in base allo standard EN50636-2-94:

### UM110D con lama a cesoie per cesoie tagliaerba installata

Livello di pressione sonora ( $L_{pA}$ ): 70 dB (A)  
Incertezza (K): 1,9 dB (A)

Il livello del rumore nelle condizioni di lavoro può superare gli 80 dB (A).

Livello tipico di rumore pesato A determinato in base allo standard EN62841-4-2:

### UM110D con lama a cesoie per tagliaerba installata

Livello di pressione sonora ( $L_{pA}$ ): 70 dB (A)  
Incertezza (K): 3 dB (A)

Il livello del rumore nelle condizioni di lavoro può superare gli 80 dB (A).

**NOTA:** Il valore o i valori dichiarati delle emissioni di rumori sono stati misurati in conformità a un metodo standard di verifica, e possono essere utilizzati per confrontare un utensile con un altro.

**NOTA:** Il valore o i valori dichiarati delle emissioni di rumori possono venire utilizzati anche per una valutazione preliminare dell'esposizione.

**AVVERTIMENTO:** Indossare protezioni per le orecchie.

**AVVERTIMENTO:** L'emissione di rumori durante l'utilizzo effettivo dell'utensile elettrico può variare rispetto al valore o ai valori dichiarati, a seconda dei modi in cui viene utilizzato l'utensile e specialmente a seconda di che tipo di pezzo venga lavorato.

**AVVERTIMENTO:** Accertarsi di identificare misure di sicurezza per la protezione dell'operatore che siano basate su una stima dell'esposizione nelle condizioni effettive di utilizzo (tenendo conto di tutte le parti del ciclo operativo, ad esempio del numero di spegnimenti dell'utensile e di quando giri a vuoto, oltre al tempo di attivazione).

## Vibrazioni

Valore totale delle vibrazioni (somma vettoriale triassiale) determinato in base allo standard EN50636-2-94:

### UM110D con lama a cesoie per cesoie tagliaerba installata

Emissione di vibrazioni ( $a_h$ ): 2,5 m/s<sup>2</sup> o inferiore  
Incertezza (K): 1,5 m/s<sup>2</sup>

Valore totale delle vibrazioni (somma vettoriale triassiale) determinato in base allo standard EN62841-4-2:

### UM110D con lama a cesoie per tagliaerba installata

Emissione di vibrazioni ( $a_h$ ): 2,5 m/s<sup>2</sup> o inferiore  
Incertezza (K): 1,5 m/s<sup>2</sup>

**NOTA:** Il valore o i valori complessivi delle vibrazioni dichiarati sono stati misurati in conformità a un metodo standard di verifica, e possono essere utilizzati per confrontare un utensile con un altro.

**NOTA:** Il valore o i valori complessivi delle vibrazioni dichiarati possono venire utilizzati anche per una valutazione preliminare dell'esposizione.

**AVVERTIMENTO:** L'emissione delle vibrazioni durante l'utilizzo effettivo dell'utensile elettrico può variare rispetto al valore o ai valori dichiarati, a seconda dei modi in cui viene utilizzato l'utensile, specialmente a seconda di che tipo di pezzo venga lavorato.

**AVVERTIMENTO:** Accertarsi di identificare misure di sicurezza per la protezione dell'operatore che siano basate su una stima dell'esposizione nelle condizioni effettive di utilizzo (tenendo conto di tutte le parti del ciclo operativo, ad esempio del numero di spegnimenti dell'utensile e di quando giri a vuoto, oltre al tempo di attivazione).

## Dichiarazione di conformità CE

### Solo per i paesi europei

La dichiarazione di conformità CE è inclusa nell'Allegato A al presente manuale di istruzioni.

## AVVERTENZE DI SICUREZZA

### Avvertenze generali relative alla sicurezza dell'utensile elettrico

**AVVERTIMENTO:** Leggere tutte le avvertenze di sicurezza, le istruzioni, le illustrazioni e i dati tecnici forniti con il presente utensile elettrico. La mancata osservanza di tutte le istruzioni elencate di seguito potrebbe risultare in scosse elettriche, incendi e/o gravi lesioni personali.

### Conservare tutte le avvertenze e le istruzioni come riferimento futuro.

Il termine "utensile elettrico" nelle avvertenze si riferisce sia all'utensile elettrico (cablato) nel funzionamento alimentato da rete elettrica che all'utensile elettrico (a batteria) nel funzionamento alimentato a batteria.

### Avvertenze di sicurezza relative alle cesoie tagliaerba a batteria

#### Istruzioni generali

1. **Per assicurare il funzionamento corretto, l'utente deve leggere il presente manuale d'uso per familiarizzare con il modo di maneggiare l'apparecchio.** Gli utenti non informati sufficientemente rischiano pericoli nei confronti di se stessi e di altri dovuti al maneggiamento errato.
2. **Non consentire mai l'uso della macchina a bambini, persone con capacità fisiche, sensoriali o mentali ridotte o prive di esperienza e di preparazione, o a persone che non abbiano familiarità con le presenti istruzioni; le normative locali potrebbero limitare l'età dell'operatore.**

3. Utilizzare l'apparecchio con la massima cura e attenzione.
4. Utilizzare l'apparecchio solo se si è in buone condizioni fisiche. Effettuare tutti i lavori con calma e con attenzione. Adottare il buon senso e tenere a mente che l'operatore o l'utente è responsabile per eventuali incidenti o pericoli che si verifichino nei confronti di altre persone o delle loro proprietà.
5. Non utilizzare mai la macchina mentre nelle vicinanze sono presenti persone, specialmente bambini, o animali.
6. Il motore va spento immediatamente qualora l'apparecchio mostri eventuali problemi o segni di anomalie.
7. Spegnerne l'apparecchio e rimuovere la cartuccia della batteria durante le pause di riposo e quando si intende lasciare l'apparecchio incustodito, e collocarlo in un'ubicazione sicura per evitare pericoli ad altri o danni all'apparecchio.
8. Evitare di utilizzare la macchina in condizioni meteorologiche avverse, specialmente quando sussiste il rischio di fulmini.

#### Attrezzatura di protezione personale

1. Indossare sempre protezioni per gli occhi e scarpe resistenti mentre si utilizza la macchina.
2. Indossare sempre calzature robuste e pantaloni lunghi mentre si utilizza la macchina.

#### Avvio dell'apparecchio

1. Accertarsi che non siano presenti bambini o altre persone nelle vicinanze, e fare anche attenzione all'eventuale presenza di animali in prossimità dell'area di lavoro. In caso contrario, interrompere l'uso dell'apparecchio.
2. Prima dell'uso, controllare sempre che l'apparecchio possa essere utilizzato in sicurezza. Controllare la sicurezza dell'utensile da taglio e della protezione e che l'interruttore a grilletto o a leva funzionino in modo agevole e corretto. Controllare che le impugnature siano pulite e asciutte, quindi verificare la funzionalità di avvio/arresto.
3. Controllare l'eventuale presenza di parti danneggiate prima di un ulteriore utilizzo dell'apparecchio. Una protezione o un altro componente danneggiato vanno esaminati con attenzione per verificare che siano in grado di funzionare correttamente e di svolgere la funzione a cui sono preposti. Controllare l'allineamento delle parti mobili e l'eventuale inceppamento di queste ultime, l'eventuale rottura di parti, attacchi di montaggio e qualsiasi altra condizione che potrebbe influenzare il funzionamento dell'utensile. Una protezione o un altro componente danneggiato vanno riparati in modo adeguato o sostituiti dai nostri centri di assistenza autorizzati, se non diversamente indicato nel presente manuale.
4. Accendere il motore solo quando le mani e i piedi sono lontani dall'utensile da taglio.
5. Prima di iniziare, accertarsi che l'utensile da taglio non sia in contatto con alcun oggetto.

#### Metodo di funzionamento

1. Utilizzare l'apparecchio esclusivamente in buone condizioni di illuminazione e visibilità. Durante la stagione invernale, fare attenzione ad aree scivolose o bagnate, al ghiaccio e alla neve (pericolo di scivolamento). Accertarsi sempre di avere un saldo equilibrio sui piedi sui pendii e di camminare e non correre mai.
2. Fare attenzione a prevenire lesioni personali a mani e piedi causate dall'utensile da taglio.
3. Non far funzionare mai l'apparecchio stando in piedi su una scala a pioli.
4. Non arrampicarsi mai sugli alberi per effettuare operazioni di taglio con l'apparecchio.
5. Non lavorare mai su superfici stabili.
6. Rimuovere sabbia, pietre, chiodi, e così via, rilevati entro l'area di lavoro. I corpi estranei potrebbero danneggiare l'utensile da taglio e possono causare pericolosi contraccolpi.
7. Qualora l'utensile da taglio colpisca delle pietre o altri oggetti duri, spegnere immediatamente il motore e ispezionare l'utensile da taglio.
8. Ispezionare l'utensile da taglio a intervalli regolari ravvicinati alla ricerca di eventuali danni (rilevamento di spaccature microscopiche mediante il test del ticchettio).
9. Prima di iniziare il taglio, l'utensile da taglio deve aver raggiunto la piena velocità di esercizio.
10. L'utensile da taglio deve essere dotato della protezione appropriata. Non far funzionare mai l'apparecchio con protezioni danneggiate o senza aver installato le protezioni.
11. Durante il funzionamento, è necessario utilizzare tutte le installazioni protettive e le protezioni in dotazione con l'apparecchio.
12. Rimuovere sempre la cartuccia della batteria dall'apparecchio nei casi seguenti:
  - quando si lascia in modo agevole e corretto;
  - prima di pulire un'ostruzione;
  - prima di controllare, pulire o effettuare interventi sull'apparecchio;
  - dopo aver colpito un corpo estraneo;
  - ogni volta che l'apparecchio inizia a vibrare in modo anomalo.
13. Assicurarsi sempre che le aperture di ventilazione siano libere da detriti.
14. Gli strumenti da taglio continuano a funzionare dopo lo spegnimento del motore.
15. Qualora le lame smettano di muoversi a causa di corpi estranei incastrati tra le lame durante l'uso, spegnere l'utensile e rimuovere la cartuccia della batteria, quindi rimuovere i corpi estranei utilizzando degli utensili, ad esempio delle pinze. La rimozione dei corpi estranei con le mani potrebbe causare lesioni personali, in quanto le lame potrebbero muoversi in risposta alla rimozione dei corpi estranei.

#### Utensili da taglio

Impiegare solo l'utensile da taglio corretto per il lavoro in corso.

## Istruzioni per la manutenzione

1. Prima di iniziare il lavoro, è necessario controllare le condizioni dell'apparecchio, in particolare dell'utensile da taglio e dei dispositivi di protezione.
2. Spegnerne il motore e rimuovere la cartuccia della batteria prima di eseguire la manutenzione, sostituire gli utensili da taglio o pulire l'apparecchio o l'utensile da taglio.
3. Quando l'apparecchio non è in uso, conservarlo al chiuso in un luogo asciutto ed elevato o che sia chiuso a chiave, fuori dalla portata dei bambini. Prima di conservarlo, pulirlo e sottoporlo a manutenzione.

## CONSERVARE LE PRESENTI ISTRUZIONI.

**⚠AVVERTIMENTO:** NON lasciare che la comodità o la familiarità d'uso con il prodotto (acquisita con l'uso ripetuto) sostituiscano la stretta osservanza delle norme di sicurezza. L'USO IMPROPRIO o la mancata osservanza delle norme di sicurezza riportate nel presente manuale manuale di istruzioni potrebbero causare lesioni personali gravi.

## Avvertenze di sicurezza relative al tagliasiepi a batteria

1. **Tenere tutte le parti del corpo lontane dalla lama. Non rimuovere il materiale tagliato né tenere in mano il materiale da tagliare quando le lame sono in movimento.** Le lame continuano a muoversi dopo la disattivazione dell'interruttore. Un momento di disattenzione durante il funzionamento del tagliasiepi potrebbe risultare in gravi lesioni personali.
2. **Trasportare il tagliasiepi tenendolo per il manico con la lama arrestata e facendo attenzione a non azionare alcun interruttore di accensione.** Se si trasporta correttamente il tagliasiepi, si riduce la possibilità di avvii accidentali e delle conseguenti lesioni personali dovute alle lame.
3. **Quando si intende trasportare o riporre il tagliasiepi, applicare sempre il coprilama.** Se si maneggia correttamente il tagliasiepi, si riduce la possibilità di lesioni personali dovute alle lame.
4. **Quando si intende rimuovere materiale inceppato o sottoporre a interventi di assistenza l'unità, accertarsi che tutti gli interruttori di accensione siano disattivati e che la cartuccia della batteria sia stata rimossa o scollegata.** L'azionamento imprevisto del tagliasiepi durante la rimozione di materiale inceppato o l'esecuzione di interventi di assistenza potrebbe risultare in gravi lesioni personali.
5. **Mantenere il tagliasiepi solo mediante le superfici di impugnatura isolate, poiché la lama potrebbe entrare in contatto con cablaggi nascosti.** Qualora le lame entrino in contatto con un filo elettrico sotto tensione, potrebbero mettere sotto tensione le parti metalliche esposte del tagliasiepi e dare una scossa elettrica all'operatore.

6. **Tenere tutti i cavi elettrici e di altro genere lontani dall'area di taglio.** Nelle siepi o nei cespugli potrebbero essere nascosti cavi elettrici o di altro genere, che potrebbero venire tagliati accidentalmente dalla lama.
7. **Evitare di utilizzare il tagliasiepi in condizioni meteorologiche avverse, specialmente quando sussiste il rischio di fulmini.** In tal modo si riduce il rischio di venire colpiti da un fulmine.

## Istruzioni di sicurezza aggiuntive

### Preparazione

1. **Prima di utilizzare l'utensile, verificare l'eventuale presenza di corpi estranei nelle siepi e nei cespugli, ad esempio recinzioni in fil di ferro o cablaggi nascosti.**
2. **L'utensile non deve essere utilizzato da bambini o giovani al di sotto dei 18 anni di età.** I giovani di età superiore ai 16 anni possono venire esentati da questa restrizione se stanno seguendo un addestramento sotto la supervisione di un esperto.
3. **Chi utilizza il prodotto per la prima volta dovrebbe farsi mostrare da un utente esperto come utilizzare l'utensile.**
4. **Utilizzare l'utensile solo se si è in buone condizioni fisiche.** In condizioni di stanchezza, il livello di attenzione si riduce. Fare particolarmente attenzione alla fine di una giornata di lavoro. Effettuare tutti i lavori con calma e con attenzione. L'utente è responsabile per qualsiasi danno arrecato a terzi.
5. **Non utilizzare mai l'utensile se si è sotto l'effetto di alcol, droghe o farmaci.**
6. **I guanti da lavoro in pelle robusta fanno parte dell'equipaggiamento di base dell'utensile, e devono essere sempre indossati quando si lavora con quest'ultimo.** Indossare anche scarpe robuste con soles antiscivolo.
7. **Prima di iniziare il lavoro, accertarsi che l'utensile sia in condizioni operative ottimali e sicure.** Accertarsi che le protezioni siano applicate correttamente. L'utensile non va utilizzato se non è stato montato completamente.

### Funzionamento

1. **Mantenere saldamente l'utensile quando lo si utilizza.**
2. **L'utensile è destinato a essere utilizzato dall'operatore al livello del suolo.** Non utilizzare l'utensile su scale a pioli o altri supporti instabili di alcun genere.
3. **Non indossare contemporaneamente più imbracature e/o tracolle durante l'uso dell'utensile.**
4. **PERICOLO - Tenere le mani lontane dalla lama.** Il contatto con la lama causa gravi lesioni personali.
5. **Non utilizzare l'utensile sotto la pioggia o in condizioni di bagnato o di estrema umidità.** Il motore elettrico non è impermeabile.
6. **Accertarsi di avere un equilibrio saldo sui piedi, prima di iniziare l'operazione.**
7. **Non far funzionare l'utensile a vuoto inutilmente.**

8. Qualora la lama a cesoie entri in contatto con una recinzione o un altro oggetto duro, spegnere immediatamente l'utensile e rimuovere la cartuccia della batteria. Controllare le lame alla ricerca di eventuali danni e sostituirle immediatamente, qualora siano danneggiate.
9. Prima di controllare le lame a cesoie, riparare guasti o rimuovere materiale incastrato nelle lame a cesoie, spegnere sempre l'utensile e rimuovere la cartuccia della batteria.
10. Non puntare mai le lame a cesoie verso se stessi o altri.
11. Qualora le lame smettano di muoversi a causa di corpi estranei incastrati tra le lame durante l'uso, spegnere l'utensile e rimuovere la cartuccia della batteria, quindi rimuovere i corpi estranei utilizzando degli utensili, ad esempio delle pinze. La rimozione dei corpi estranei con le mani potrebbe causare lesioni personali, in quanto le lame potrebbero muoversi in risposta alla rimozione dei corpi estranei.
12. Evitare gli ambienti pericolosi. Non utilizzare l'utensile in luoghi umidi o bagnati né esporlo alla pioggia. La penetrazione di acqua nell'utensile incrementa il rischio di scosse elettriche.

#### Manutenzione e conservazione

1. Spegner l'utensile e rimuovere la cartuccia della batteria prima di effettuare qualsiasi lavoro di manutenzione.
2. Quando si intende spostare l'utensile in un'altra ubicazione, anche durante il lavoro, rimuovere sempre la cartuccia della batteria e applicare il coprilama sulle lame a cesoie. Non portare né trasportare mai l'utensile con le lame in funzione. Non afferrare mai le lame con le mani.
3. Pulire l'utensile e particolarmente le lame a cesoie dopo l'uso, e prima di riporre l'utensile per periodi di tempo prolungati. Oliare leggermente le lame e applicare il coprilama.
4. Riporre l'utensile con il coprilama applicato, in una stanza asciutta. Tenerlo fuori dalla portata dei bambini. Non riporre mai l'utensile all'aperto.
5. Non smaltire le batterie nel fuoco. La cella potrebbe esplodere. Controllare le normative locali per eventuali istruzioni speciali relative allo smaltimento.
6. Non aprire né fare a pezzi le batterie. L'elettrolita rilasciato è corrosivo, e potrebbe causare danni agli occhi o alla pelle. Inoltre, potrebbe essere tossico, se inghiottito.
7. Non caricare la batteria sotto la pioggia o in condizioni di bagnato.

## CONSERVARE LE PRESENTI ISTRUZIONI.

**⚠AVVERTIMENTO:** NON lasciare che la comodità o la familiarità d'uso con il prodotto (acquisita con l'uso ripetuto) sostituiscano la stretta osservanza delle norme di sicurezza. L'USO IMPROPRIO o la mancata osservanza delle norme di sicurezza riportate nel presente manuale di istruzioni potrebbero causare lesioni personali gravi.

## Istruzioni di sicurezza importanti per la cartuccia della batteria

1. Prima di utilizzare la cartuccia della batteria, leggere tutte le istruzioni e le avvertenze riportate (1) sul caricabatteria, (2) sulla batteria e (3) sul prodotto che utilizza la batteria.
2. Non smantellare né manomettere la cartuccia della batteria. In caso contrario, si potrebbe causare un incendio, calore eccessivo o un'esplosione.
3. Qualora il tempo di utilizzo si riduca eccessivamente, interrompere immediatamente l'utilizzo dell'utensile. In caso contrario, si può incorrere nel rischio di surriscaldamento, possibili ustioni e persino un'esplosione.
4. Qualora l'elettrolita entri in contatto con gli occhi, sciacquarli con acqua pulita e richiedere immediatamente assistenza medica. Questa eventualità può risultare nella perdita della vista.
5. Non cortocircuitare la cartuccia della batteria:
  - (1) Non toccare i terminali con alcun materiale conduttivo.
  - (2) Evitare di conservare la cartuccia della batteria in un contenitore insieme ad altri oggetti metallici quali chiodi, monete, e così via.
  - (3) Non esporre la cartuccia della batteria all'acqua o alla pioggia.
 Un cortocircuito della batteria può causare un grande flusso di corrente, un surriscaldamento, possibili ustioni e persino un guasto.
6. Non conservare e utilizzare l'utensile e la cartuccia della batteria in ubicazioni in cui la temperatura possa raggiungere o superare i 50°C.
7. Non incenerire la cartuccia della batteria anche qualora sia gravemente danneggiata o completamente esaurita. La cartuccia della batteria può esplodere se a contatto con il fuoco.
8. Non inchiodare, tagliare, schiacciare, lanciare o far cadere la cartuccia della batteria, né farla urtare con forza contro un oggetto duro. Questi comportamenti potrebbero risultare in un incendio, calore eccessivo o un'esplosione.
9. Non utilizzare una batteria danneggiata.
10. Le batterie a ioni di litio contenute sono soggette ai requisiti del regolamento sul trasporto di merci pericolose (Dangerous Goods Legislation).  
Per trasporti commerciali, ad esempio da parte di terzi o spedizionieri, è necessario osservare dei requisiti speciali sull'imballaggio e sull'etichetta. Per la preparazione dell'articolo da spedire, è richiesta la consulenza di un esperto in materiali pericolosi. Attenersi anche alle normative nazionali, che potrebbero essere più dettagliate. Nasturare o coprire i contatti aperti e imballare la batteria in modo tale che non si possa muovere liberamente all'interno dell'imballaggio.
11. Quando si intende smaltire la cartuccia della batteria, rimuoverla dall'utensile e smaltirla in un luogo sicuro. Attenersi alle normative locali relative allo smaltimento della batteria.

12. **Utilizzare le batterie esclusivamente con i prodotti specificati da Makita.** L'installazione delle batterie in prodotti non compatibili potrebbe risultare in incendi, calore eccessivo, esplosioni o perdite di liquido elettrolitico.
13. **Se l'utensile non viene utilizzato per un periodo di tempo prolungato, la batteria deve essere rimossa dall'utensile.**
14. **Durante e dopo l'uso, la cartuccia della batteria potrebbe assorbire calore, che può causare ustioni o ustioni a bassa temperatura. Fare attenzione a come si maneggiano le cartucce delle batterie estremamente calde.**
15. **Non toccare i terminali dell'utensile subito dopo l'uso, in quanto potrebbero diventare estremamente caldi al punto da causare ustioni.**
16. **Evitare di far incastrare schegge, polveri o tereno nei terminali, nei fori e nelle scanalature della cartuccia della batteria.** In caso contrario, si potrebbero causare prestazioni scadenti o la rottura dell'utensile o della cartuccia della batteria.
17. **A meno che l'utensile supporti l'uso in prossimità di linee elettriche ad alta tensione, non utilizzare la cartuccia della batteria in prossimità di linee elettriche ad alta tensione.** In caso contrario, si potrebbe causare un malfunzionamento o la rottura dell'utensile o della cartuccia della batteria.
18. **Tenere la batteria lontana dai bambini.**

## CONSERVARE LE PRESENTI ISTRUZIONI.

**ATTENZIONE:** Utilizzare solo batterie originali Makita. L'utilizzo di batterie Makita non originali, o di batterie che siano state alterate, potrebbe risultare nello scoppio della batteria, causando incendi, lesioni personali e danni. Inoltre, ciò potrebbe invalidare la garanzia Makita per l'utensile e il caricabatterie Makita.

## Suggerimenti per preservare la durata massima della batteria

1. **Caricare la cartuccia della batteria prima che si scarichi completamente. Smettere sempre di utilizzare l'utensile e caricare la cartuccia della batteria quando si nota che la potenza dell'utensile è diminuita.**
2. **Non ricaricare mai una cartuccia della batteria completamente carica. La sovraccarica riduce la vita utile della batteria.**
3. **Caricare la cartuccia della batteria a una temperatura ambiente compresa tra 10 °C e 40 °C. Lasciar raffreddare una cartuccia della batteria prima di caricarla.**
4. **Quando non si utilizza la cartuccia della batteria, rimuoverla dall'utensile o dal caricabatterie.**
5. **Caricare la cartuccia della batteria se non la si è utilizzata per un periodo di tempo prolungato (più di sei mesi).**

## DESCRIZIONE DELLE FUNZIONI

**ATTENZIONE:** Accertarsi sempre che l'utensile sia spento e che la cartuccia della batteria sia stata rimossa prima di regolare o di controllare il funzionamento dell'utensile.

### Uso dell'utensile come tagliasiepi a batteria

Questo utensile può venire utilizzato come tagliasiepi a batteria installando le lame a cesoie per tagliasiepi.

### Installazione o rimozione della cartuccia della batteria

**ATTENZIONE:** Spegnerne sempre l'utensile prima di installare o rimuovere la cartuccia della batteria.

**ATTENZIONE:** Mantenere saldamente lo strumento e la batteria quando si intende installare o rimuovere la cartuccia della batteria. Qualora non si mantengano saldamente lo strumento e la cartuccia della batteria, questi ultimi potrebbero scivolare dalle mani, con la possibilità di causare un danneggiamento dello strumento e della cartuccia della batteria, nonché una lesione personale.

► Fig.1: 1. Indicatore rosso 2. Pulsante 3. Cartuccia della batteria

Per rimuovere la cartuccia della batteria, farla scorrere via dall'utensile mentre si fa scorrere allo stesso tempo il pulsante sulla parte anteriore della cartuccia.

Per installare la cartuccia della batteria, allineare la linguetta sulla cartuccia della batteria con la scanalatura nell'alloggiamento e farla scivolare in sede. Inserirla completamente fino al suo blocco in sede con un leggero scatto. Se è possibile vedere l'indicatore rosso, come indicato nella figura, non è bloccata completamente.

**ATTENZIONE:** Installare sempre fino in fondo la cartuccia della batteria, fino a quando l'indicatore rosso non è più visibile. In caso contrario, la batteria potrebbe cadere accidentalmente dall'utensile, causando lesioni personali all'operatore o a chi gli è vicino.

**ATTENZIONE:** Non installare forzatamente la cartuccia della batteria. Qualora la batteria non si inserisca scorrendo agevolmente, vuol dire che non viene inserita correttamente.

## Sistema di protezione strumento/batteria

L'utensile è dotato di un sistema di protezione dell'utensile stesso e della batteria. Tale sistema interrompe automaticamente l'alimentazione al motore per prolungare la vita utile dell'utensile e della batteria. L'utensile si arresta automaticamente durante il funzionamento, qualora l'utensile o la batteria vengano a trovarsi in una delle condizioni seguenti:

### Protezione dal sovraccarico

Quando la batteria viene fatta funzionare in modo tale da causare un assorbimento di corrente elevato in modo anomalo da parte della batteria stessa, l'utensile si arresta automaticamente. In questa situazione, spegnere l'utensile e interrompere l'applicazione che ha causato il sovraccarico dell'utensile. Quindi, accendere l'utensile per riavviarlo.

### Protezione dal surriscaldamento

Quando la batteria è surriscaldata, l'utensile si arresta automaticamente. In tal caso, lasciar raffreddare l'utensile e la batteria prima di riaccendere l'utensile.

### Protezione dalla sovrascarica

Quando la capacità della batteria non è sufficiente, l'utensile si arresta automaticamente. Se si accende l'utensile, il motore gira di nuovo, ma si arresta poco dopo. In questo caso, rimuovere la batteria dall'utensile e caricarla.

## Funzionamento dell'interruttore

**⚠AVVERTIMENTO:** Prima di inserire la cartuccia della batteria nell'utensile, controllare sempre che l'interruttore a grilletto funzioni correttamente e torni sulla posizione "OFF" quando viene rilasciato.

**⚠AVVERTIMENTO:** Per la propria sicurezza, questo utensile è dotato di un pulsante di sblocco che evita avvii accidentali dell'utensile. Non utilizzare mai l'utensile qualora si avvii quando si preme l'interruttore a grilletto senza premere il pulsante di sblocco. Richiedere la riparazione a un centro di assistenza Makita locale.

**⚠AVVERTIMENTO:** Non disabilitare mai la funzione di blocco del pulsante di sblocco, né fissarlo con nastro adesivo.

**AVVISO:** Non premere l'interruttore a grilletto con forza senza premere il pulsante di sblocco. L'interruttore si potrebbe rompere.

► **Fig.2:** 1. Interruttore a grilletto 2. Pulsante di sblocco

Per evitare di premere accidentalmente l'interruttore a grilletto, è fornito un pulsante di sblocco.

Per avviare l'utensile, premere il pulsante di sblocco, quindi premere l'interruttore a grilletto. Per arrestarlo, rilasciare l'interruttore a grilletto. È possibile premere il pulsante di sblocco dal lato destro o dal lato sinistro.

## Indicatore luminoso

L'indicatore luminoso lampeggia o si illumina quando la capacità residua della batteria è bassa o esaurita. L'indicatore luminoso si illumina anche quando l'utensile diventa sovraccarico.

► **Fig.3:** 1. Indicatore luminoso

### Stato dell'indicatore luminoso e misura correttiva

Indicatore luminoso	Stato	Misura correttiva
L'indicatore lampeggia in rosso.	La carica residua della batteria è bassa.	Caricare la batteria.
L'indicatore si illumina in rosso. *	L'utensile si è arrestato poiché la carica residua della batteria è esaurita.	Caricare la batteria.
	L'utensile si è arrestato a causa di un sovraccarico.	Spegnere l'utensile.

\* Il momento in cui l'indicatore luminoso si illumina varia a seconda della temperatura circostante l'area di lavoro e delle condizioni della cartuccia della batteria.

## Regolazione dell'altezza di taglio (per le cesoie tagliaerba)

### Accessorio opzionale

**⚠ATTENZIONE:** Quando si intende modificare l'altezza di taglio, accertarsi di applicare il copri-lama e fare attenzione a non far restare le dita incastrate tra l'utensile e il raccoglierba.

È possibile impostare l'altezza di taglio su tre livelli (15 mm, 20 mm, e 25 mm) modificando la posizione fissa del raccoglierba. L'altezza di taglio senza il raccoglierba è di circa 10 mm.

1. Far scorrere il raccoglierba verso la parte anteriore dell'utensile.

► **Fig.4:** 1. Raccoglierba

2. Modificare la posizione fissa del raccoglierba spostandolo nella direzione della freccia.

► **Fig.5**

**NOTA:** Il valore dell'altezza di taglio è un'indicazione approssimativa. L'altezza di taglio effettiva può variare a seconda delle condizioni del prato o del terreno.

**NOTA:** Provare a effettuare un taglio di prova in un'area meno visibile per ottenere l'altezza desiderata.



## MONTAGGIO

**⚠ATTENZIONE:** Accertarsi sempre che l'utensile sia spento e che la cartuccia della batteria sia stata rimossa, prima di effettuare qualsiasi intervento sull'utensile.

**⚠ATTENZIONE:** Quando si intende sostituire le lame a cesoie, indossare sempre i guanti e applicare il coprilama, affinché le mani e il viso non entrino in contatto direttamente con le lame.

**AVVISO:** Quando si sostituiscono le lame a cesoie, non rimuovere il grasso dall'ingranaggio e dalla manovella.

## Installazione o rimozione del coprilama

**⚠ATTENZIONE:** Fare attenzione a non toccare le lame quando si intende installare o rimuovere il coprilama.

Per rimuovere il coprilama, tirarlo leggermente, quindi farlo scorrere di lato. Per installare il coprilama, effettuare la procedura al contrario.

► Fig.6

## Installazione o rimozione del raccoglierba

### Accessorio opzionale

**⚠ATTENZIONE:** Quando si intende installare o rimuovere il raccoglierba, accertarsi di applicare il coprilama e fare attenzione a non far restare incastrate le dita tra l'utensile e il raccoglierba.

## Installazione del raccoglierba

1. Agganciare la cerniera del raccoglierba alla scanalatura dell'utensile.

► Fig.7: 1. Cerniera 2. Raccoglierba

2. Allineare le sporgenze sul raccoglierba con le scanalature presenti sull'utensile facendo scorrere il raccoglierba verso la parte anteriore dell'utensile e spostandolo nella direzione della freccia.

► Fig.8

**AVVISO:** Non applicare la cerniera del raccoglierba all'utensile forzandola dopo aver allineato le sporgenze sul raccoglierba con le scanalature sull'utensile.

## Rimozione del raccoglierba

1. Sganciare le sporgenze sul raccoglierba dalle scanalature presenti sull'utensile mentre si fa scorrere il raccoglierba verso la parte anteriore dell'utensile.

► Fig.9: 1. Raccoglierba

2. Sganciare la cerniera del raccoglierba dall'utensile.



## Installazione o rimozione delle lame a cesoie per cesoie tagliaerba

**AVVISO:** Qualora parti diverse dalle lame a cesoie, ad esempio la manovella, siano usurate, rivolgersi a centri di assistenza autorizzati Makita per i pezzi di ricambio o le riparazioni.

## Rimozione delle lame a cesoie

1. Rimuovere il raccoglierba, qualora sia installato. Appoggiare l'utensile capovolto.

► Fig.10

2. Quando si preme la leva di blocco, ruotare la copertura inferiore in senso antiorario fino a quando il simbolo  sulla copertura inferiore è allineato con il simbolo  sulla leva di blocco.

► Fig.11: 1. Copertura inferiore 2. Leva di blocco

3. Rimuovere la copertura inferiore, le lame a cesoie e la manovella.

► Fig.12: 1. Copertura inferiore 2. Lame a cesoie 3. Manovella

## Installazione delle lame a cesoie

1. Preparare la manovella, la copertura inferiore e le nuove lame a cesoie.

► Fig.13: 1. Manovella 2. Copertura inferiore 3. Lame a cesoie

2. Rimuovere il coprilama dalle vecchie lame a cesoie, quindi applicarlo su quelle nuove.

► Fig.14: 1. Coprilama

3. Regolare i tre perni in modo che siano allineati sulla linea di allineamento.

► Fig.15: 1. Linea di allineamento

4. Applicare una piccola quantità di grasso sulla parte periferica della manovella. Fissare la manovella sui perni con il piccolo e il grande cerchio rivolti verso l'alto.

► Fig.16: 1. Manovella



5. Regolare le lame e la piastra guida in modo che il foro sulla piastra guida e le due sporgenze sulle lame siano allineati.

► Fig.17: 1. Piastra guida



6. Capovolgere le lame a cesoie e installarle in modo che i perni sull'utensile entrino nel foro sulla piastra guida. Accertarsi che le lame a cesoie siano fissate saldamente in sede.

► Fig.18: 1. Piastra guida

**NOTA:** Se si fa scorrere il coprilama leggermente in avanti, si facilita l'installazione delle lame a cesoie.

7. Posizionare la copertura inferiore in modo che il simbolo  sulla copertura inferiore sia allineato con il simbolo  sulla leva di blocco.

► Fig.19: 1. Copertura inferiore 2. Leva di blocco

8. Quando si preme la copertura inferiore, ruotare quest'ultima in senso orario fino a quando il simbolo  sulla copertura inferiore è allineato con il simbolo  sulla leva di blocco.

► Fig.20: 1. Copertura inferiore 2. Leva di blocco

9. Accertarsi che la leva di blocco si inserisca nella scanalatura presente sulla copertura inferiore.

► **Fig.21:** 1. Leva di blocco

**ATTENZIONE:** Non utilizzare mai l'utensile senza installare la copertura inferiore.

10. Rimuovere il coprilama, quindi accendere l'utensile per verificare che funzioni correttamente.

**AVVISO:** Qualora le lame a cesoie non funzionino correttamente, le lame non sono innestate correttamente nella manovella. Rimuovere le lame e reinstallarle.

## Installazione o rimozione delle lame a cesoie per tagliaiepi



**ATTENZIONE:** Montare il coprilama prima di rimuovere o installare le lame a cesoie.

**AVVISO:** Qualora parti diverse dalle lame a cesoie, ad esempio la manovella, siano usurate, rivolgersi a centri di assistenza autorizzati Makita per i pezzi di ricambio o le riparazioni.

## Rimozione delle lame a cesoie

1. Appoggiare l'utensile capovolto.

► **Fig.22**

2. Quando si preme la leva di blocco, ruotare la copertura inferiore in senso antiorario fino a quando il simbolo  sulla copertura inferiore è allineato con il simbolo  sulla leva di blocco.

► **Fig.23:** 1. Leva di blocco 2. Copertura inferiore

3. Rimuovere la copertura inferiore.

► **Fig.24:** 1. Copertura inferiore

4. Allentare le due viti con un cacciavite e rimuovere le lame a cesoie.

► **Fig.25:** 1. Viti

**NOTA:** È possibile rimuovere le lame a cesoie senza rimuovere le viti.

5. Rimuovere la manovella dalle lame a cesoie.

► **Fig.26:** 1. Manovella

**NOTA:** La manovella può restare nell'utensile.

**NOTA:** Applicare il coprilama e la custodia di stoccaggio sulle lame a cesoie rimosse, quindi riporre le lame.

## Installazione delle lame a cesoie

1. Preparare la manovella, la copertura inferiore e le nuove lame a cesoie.

► **Fig.27:** 1. Manovella 2. Copertura inferiore 3. Lame a cesoie

2. Fissare il coprilama sulle lame a cesoie.

► **Fig.28:** 1. Coprilama

3. Regolare i tre perni in modo che siano allineati sulla linea di allineamento.

► **Fig.29:** 1. Linea di allineamento

4. Applicare una piccola quantità di grasso sulla parte periferica della manovella. Fissare la manovella sui perni con i suoi cerchi, piccolo e grande, rivolti verso il basso.

► **Fig.30:** 1. Manovella

5. Far scivolare le lame a cesoie in modo che il foro sulla piastra guida sia posizionato al centro degli anelli delle lame.

► **Fig.31:** 1. Piastra guida

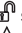
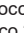
6. Capovolgere le lame a cesoie e installarle in modo che il perno sull'utensile entri nel foro sulle lame a cesoie. Inserire il gancio della piastra guida nella scanalatura presente sull'utensile. Accertarsi che le lame a cesoie siano fissate saldamente in sede.

► **Fig.32:** 1. Gancio 2. Piastra guida



**NOTA:** Se si fa scorrere il coprilama leggermente in avanti, si facilita l'installazione delle lame a cesoie.

7. Serrare saldamente le due viti con un cacciavite.

► **Fig.33:** 1. Viti

8. Posizionare la copertura inferiore in modo che il simbolo  sulla copertura inferiore sia allineato con il simbolo  sulla leva di blocco.

► **Fig.34:** 1. Leva di blocco 2. Copertura inferiore

9. Quando si preme la copertura inferiore, ruotare quest'ultima in senso orario fino a quando il simbolo  sulla copertura inferiore è allineato con il simbolo  sulla leva di blocco.

► **Fig.35:** 1. Copertura inferiore

10. Accertarsi che la leva di blocco si inserisca nella scanalatura presente sulla copertura inferiore.

► **Fig.36:** 1. Leva di blocco

**ATTENZIONE:** Non utilizzare mai l'utensile senza installare la copertura inferiore.

11. Rimuovere il coprilama, quindi accendere l'utensile per verificare se funzioni correttamente.

**AVVISO:** Qualora le lame a cesoie non funzionino correttamente, le lame non sono innestate correttamente nella manovella. Rimuovere le lame e reinstallarle.

## Installazione o rimozione del raccoglitore di residui

### Accessorio opzionale

**ATTENZIONE:** Quando si intende installare o rimuovere il raccoglitore di residui, indossare sempre i guanti e applicare il coprilama, affinché le mani e il viso non entrino in contatto direttamente con la lama.

Il raccoglitore di residui raccoglie le foglie scartate e facilita notevolmente la pulizia in seguito. Può venire installato su entrambi i lati dell'utensile.

Per installare il raccoglitore di residui, premerlo contro le lame a cesoie in modo che i ganci entrino nei fori delle lame a cesoie.

► **Fig.37:** 1. Ganci 2. Fori

Per rimuovere il raccoglitore di residui, premere le leve su entrambi i lati per sbloccare i ganci.

► **Fig.38:** 1. Leve

**AVVISO:** Non tentare mai di rimuovere il raccoglitore di residui applicando forza eccessiva con i suoi ganci bloccati nei fori delle lame.

## FUNZIONAMENTO

**AVVERTIMENTO:** Prima di eseguire il taglio, pulire eventuali rametti e pietre dall'area di taglio. Inoltre, pulire anticipatamente eventuali erbacce dall'area di taglio.

► Fig.39

**AVVERTIMENTO:** Tenere le mani lontane dalle lame.

**ATTENZIONE:** Evitare l'utilizzo dell'utensile in condizioni atmosferiche estremamente calde, per quanto possibile. Quando si utilizza l'utensile, fare attenzione alle proprie condizioni fisiche.

### Taglio (per le cesoie tagliaerba)

Accendere l'utensile dopo aver regolato l'altezza di taglio e mantenerlo in modo che la parte inferiore dell'utensile sia appoggiata sul terreno. Spostare l'utensile delicatamente in avanti.

► Fig.40

Quando si intende effettuare la rifilatura intorno a marciapiedi, recinzioni o alberi, spostare l'utensile seguendo le forme. Fare attenzione a evitare che le lame entrino in contatto con tali oggetti.

► Fig.41

Quando si intende tagliare germogli o foglie di un piccolo albero, eseguire la rifilatura poco per volta.

► Fig.42

Accorciare i rami di grandi dimensioni fino all'altezza desiderata utilizzando dei troncareami, prima di utilizzare questo utensile.

**AVVISO:** Non utilizzare l'utensile in modo tale da causare l'arresto del motore o da farlo girare con estrema lentezza.

**AVVISO:** Non tentare di tagliare rami spessi.

**AVVISO:** Evitare che le lame a cesoie entrino in contatto con il terreno durante l'uso. In caso contrario le lame si spuntano, causando prestazioni scadenti.

**AVVISO:** Non rifilare erba bagnata o foglie di piccoli alberi.

### Taglio di prati lunghi

Non tentare di tagliare erba lunga con un'unica operazione. Tagliare il prato, invece, in più fasi. Lasciar passare un giorno o due tra i tagli, fino ad accorciare il prato in modo uniforme.

► Fig.43

**NOTA:** Il taglio di erba lunga a una lunghezza ridotta in un'unica operazione potrebbe causare la morte dell'erba.

### Rifilatura (per il tagliaerba)

**ATTENZIONE:** Fare attenzione a non entrare in contatto accidentalmente con una recinzione in metallo o con altri oggetti duri durante la rifilatura. In caso contrario, le lame potrebbero rompersi e causare lesioni personali.

**ATTENZIONE:** Fare attenzione a evitare che le lame a cesoie entrino in contatto con il terreno. In caso contrario, l'utensile potrebbe subire un contraccolpo e causare lesioni personali.

**ATTENZIONE:** Sporgersi con un tagliaerba, specialmente da una scala a pioli, è estremamente pericoloso. Non lavorare in piedi su alcuna superficie traballante o malferma.

**AVVISO:** Non tentare di tagliare rami di spessore superiore ai 10 mm di diametro con l'utensile. Tagliare i rami a un'altezza di 10 cm inferiore a quella di taglio utilizzando dei troncareami, prima di utilizzare l'utensile.

► Fig.44: (1) Altezza di taglio (2) 10 cm

**AVVISO:** Non tagliare alberi morti oppure oggetti duri simili. In caso contrario, si potrebbe danneggiare l'utensile.

**AVVISO:** Non rifilare l'erba o le erbacce mentre si utilizzano le lame a cesoie. Le lame potrebbero incepparsi nell'erba o nelle erbacce.

Tenere l'utensile con una mano, premere l'interruttore a grilletto mentre si preme il pulsante di sblocco, quindi spostare l'utensile in avanti.

► Fig.45

Per il funzionamento di base, inclinare le lame verso la direzione di rifilatura e sposterle con calma e lentamente a una velocità compresa tra 3 e 4 secondi per metro.

► Fig.46

Per tagliare in modo uniforme la sommità di una siepe, può essere d'aiuto legare un nastro all'altezza desiderata e seguirlo durante la rifilatura.

► Fig.47

Se si monta il raccoglitore di residui sulle lame, l'accessorio raccoglie le foglie scartate e facilita notevolmente la pulizia in seguito.

Per tagliare il lato di una siepe in modo omogeneo, eseguire il taglio dal basso verso l'alto.

► Fig.48

Quando si rifila per creare una forma tondeggiante (rifilatura di bosso e rododendro, e così via), rifilare partendo dalle radici verso l'alto per ottenere una bellissima finitura.

► Fig.49

## MANUTENZIONE

**ATTENZIONE:** Accertarsi sempre che l'utensile sia spento e che la cartuccia della batteria sia stata rimossa prima di tentare di eseguire interventi di ispezione o manutenzione.

Per preservare la SICUREZZA e l'AFFIDABILITÀ del prodotto, le riparazioni e qualsiasi altro intervento di manutenzione e di regolazione devono essere eseguiti da un centro di assistenza autorizzato Makita, utilizzando sempre ricambi Makita.

### Pulizia dell'utensile

Pulire l'utensile rimuovendo le polveri con un panno asciutto o con uno bagnato in acqua saponata e strizzato.

**AVVISO:** Non utilizzare mai benzina, benzene, solventi, alcol o altre sostanze simili. In caso contrario, si potrebbero causare scolorimenti, deformazioni o crepe.

### Manutenzione delle lame

Prima del funzionamento oppure una volta per ogni ora di utilizzo, applicare olio a bassa viscosità (olio per macchine, oppure olio lubrificante di tipo spray) sulle lame.

► Fig.50

► Fig.51

Dopo l'uso, rimuovere la polvere da entrambi i lati delle lame con una spazzola metallica, pulirla passandovi un panno, quindi applicare olio a bassa viscosità (olio per macchine, oppure olio lubrificante di tipo spray) sulle lame.

► Fig.52

► Fig.53

**AVVISO:** Non lavare le lame in acqua. In caso contrario, si potrebbe causare la formazione di ruggine o danneggiare l'utensile.

**AVVISO:** Lo sporco e la corrosione causano un'eccessiva frizione delle lame e riducono la durata di esercizio per ciascuna carica della batteria.

### Conservazione

Il foro per il gancio nella parte inferiore dell'utensile è comodo per appendere quest'ultimo a un chiodo o a una vite sul muro.

Applicare il coprilama sulle lame a cesoie in modo che le lame non siano esposte. Conservare l'utensile fuori dalla portata dei bambini. Conservare l'utensile in un'ubicazione non esposta all'umidità o alla pioggia.

► Fig.54: 1. Foro

► Fig.55: 1. Foro

## ACCESSORI OPZIONALI

**ATTENZIONE:** Questi accessori o componenti aggiuntivi sono consigliati per l'uso con l'utensile Makita specificato nel presente manuale.

L'impiego di altri accessori o componenti aggiuntivi può costituire un rischio di lesioni alle persone. Utilizzare gli accessori o i componenti aggiuntivi solo per il loro scopo prefissato.

Per ottenere ulteriori dettagli relativamente a questi accessori, rivolgersi a un centro di assistenza Makita.

- Lama completa (per l'utilizzo con cesoie tagliaerba)
- Coprilama per lama a cesoie (per l'utilizzo con cesoie tagliaerba)
- Raccogliherba (per l'utilizzo con cesoie tagliaerba)
- Accessorio manico lungo (per l'utilizzo con cesoie tagliaerba)
- Lama completa (per l'utilizzo con tagliaiepi)
- Coprilama per lama a cesoie (per l'utilizzo con tagliaiepi)
- Raccoglitore di residui (per l'utilizzo con tagliaiepi)
- Custodia di stoccaggio
- Batteria e caricabatterie originali Makita

**NOTA:** Alcuni articoli nell'elenco potrebbero essere inclusi nell'imballaggio dell'utensile come accessori standard. Tali articoli potrebbero variare da nazione a nazione.

## TECHNISCHE GEGEVENS

<b>Model:</b>		<b>UM110D</b>
Snijbreedte		110 mm
Bewegingen per minuut		2.500 min <sup>-1</sup>
Onderdeelnummer van vervangende messenbladen	Grasschaar	191N23-4, 195267-4
	Heggenschaar	191N24-2, 198408-1
Afmetingen (l x b x h)		331 mm x 120 mm x 130 mm
Nominale spanning		18 V gelijkspanning
Nettogewicht		1,4 kg - 1,5 kg

- In verband met ononderbroken research en ontwikkeling, behouden wij ons het recht voor de bovenstaande technische gegevens zonder voorafgaande kennisgeving te wijzigen.
- De technische gegevens van de accu kunnen van land tot land verschillen.
- Het gewicht kan verschillen afhankelijk van de hulpstukken, waaronder de accu. De lichtste en zwaarste combinatie, overeenkomstig de EPTA-procedure 01/2014, worden getoond in de tabel.

### Toepasselijke accu's en laders

Accu	BL1813G / BL1815G
Lader	DC18WA

- Sommige van de hierboven vermelde accu's en laders zijn mogelijk niet leverbaar afhankelijk van waar u woont.

**⚠ WAARSCHUWING:** Gebruik uitsluitend de accu's en laders die hierboven worden genoemd. Gebruik van enige andere accu of lader kan leiden tot letsel en/of brand.

### Symbolen

Hieronder staan de symbolen die voor het gereedschap kunnen worden gebruikt. Zorg ervoor dat u de betekenis ervan kent voordat u het gereedschap gaat gebruiken.

	Wees vooral voorzichtig en let goed op.
	Lees de gebruiksaanwijzing.
	Gevaar: let op weggegooid voorwerpen.
	Houd omstanders uit de buurt.
	Het snijgarment blijft werken nadat de motor is uitgeschakeld.
	Stel niet bloot aan vocht.
	Draag een veiligheidsbril.
	
	GEVAAR - Houd handen uit de buurt van het snijgarment.



Alleen voor EU-landen  
Als gevolg van de aanwezigheid van schadelijke componenten in het apparaat, kunnen oude elektrische en elektronische apparaten, accu's en batterijen negatieve gevolgen hebben voor het milieu en de gezondheid van mensen.  
Gooi elektrische en elektronische apparaten en accu's niet met het huisvuil weg!  
In overeenstemming met de Europese richtlijn inzake oude elektrische en elektronische apparaten en inzake accu's en batterijen en oude accu's en batterijen, alsmede de toepassing daarvan binnen de nationale wetgeving, dienen oude elektrische apparaten, accu's en batterijen gescheiden te worden opgeslagen en te worden ingeleverd bij een apart inzamelingspunt voor huishoudelijk afval dat de milieubeschermingsvoorschriften in acht neemt.  
Dit wordt op het apparaat aangegeven door het symbool van een doorgekruiste afvalcontainer.



Gegarandeerd geluidsvermogeniveau conform EU-richtlijn inzake geluidsemisatie buitenhuis.



Geluidsvermogeniveau conform de Regelgeving Geluidsregeling van NSW, Australië

### Gebruiksdoeleinden

Het gereedschap is bedoeld voor het bijsnijden van grasranden en grassprietten.

## Geluidsniveau

De typische, A-gewogen geluidsniveaus zijn gemeten volgens EN50636-2-94:

### UM110D met messenbladen voor grasschaar aangebracht

Geluidsdrukniveau ( $L_{pA}$ ): 70 dB (A)  
Onzekerheid (K): 1,9 dB (A)

Het geluidsniveau kan tijdens gebruik hoger worden dan 80 dB (A).

De typische, A-gewogen geluidsniveaus zijn gemeten volgens EN62841-4-2:

### UM110D met messenbladen voor heggenchaar aangebracht

Geluidsdrukniveau ( $L_{pA}$ ): 70 dB(A)  
Onzekerheid (K): 3 dB(A)

Het geluidsniveau kan tijdens gebruik hoger worden dan 80 dB (A).

**OPMERKING:** De opgegeven geluidsemissiewaarde(n) is/zijn gemeten volgens een standaardtestmethode en kan/kunnen worden gebruikt om dit gereedschap te vergelijken met andere gereedschappen.

**OPMERKING:** De opgegeven geluidsemissiewaarde(n) kan/kunnen ook worden gebruikt voor een beoordeling vooraf van de blootstelling.

**⚠️ WAARSCHUWING:** Draag gehoorbescherming.

**⚠️ WAARSCHUWING:** De geluidsemissie tijdens het gebruik van het elektrisch gereedschap in de praktijk kan verschillen van de opgegeven waarde(n) afhankelijk van de manier waarop het gereedschap wordt gebruikt, met name van het soort werkstuk waarmee wordt gewerkt.

**⚠️ WAARSCHUWING:** Zorg ervoor dat veiligheidsmaatregelen worden getroffen ter bescherming van de gebruiker die zijn gebaseerd op een schatting van de blootstelling onder praktijkomstandigheden (rekening houdend met alle fasen van de bedrijfscyclus, zoals de tijdsduur gedurende welke het gereedschap is uitgeschakeld en stationair draait, naast de ingeschakelde tijdsduur).

## Trilling

De totale trillingswaarde (triaxiale vectorsom) zoals vastgesteld volgens EN50636-2-94:

### UM110D met messenbladen voor grasschaar aangebracht

Trillingsemissie ( $a_h$ ): 2,5 m/s<sup>2</sup> of lager  
Onzekerheid (K): 1,5 m/s<sup>2</sup>

De totale trillingswaarde (triaxiale vectorsom) zoals vastgesteld volgens EN62841-4-2:

### UM110D met messenbladen voor heggenchaar aangebracht

Trillingsemissie ( $a_h$ ): 2,5 m/s<sup>2</sup> of lager  
Onzekerheid (K): 1,5 m/s<sup>2</sup>

**OPMERKING:** De totale trillingswaarde(n) is/zijn gemeten volgens een standaardtestmethode en kan/kunnen worden gebruikt om dit gereedschap te vergelijken met andere gereedschappen.

**OPMERKING:** De opgegeven totale trillingswaarde(n) kan/kunnen ook worden gebruikt voor een beoordeling vooraf van de blootstelling.

**⚠️ WAARSCHUWING:** De trillingsemissie tijdens het gebruik van het elektrisch gereedschap in de praktijk kan verschillen van de opgegeven waarde(n) afhankelijk van de manier waarop het gereedschap wordt gebruikt, met name van het soort werkstuk waarmee wordt gewerkt.

**⚠️ WAARSCHUWING:** Zorg ervoor dat veiligheidsmaatregelen worden getroffen ter bescherming van de gebruiker die zijn gebaseerd op een schatting van de blootstelling onder praktijkomstandigheden (rekening houdend met alle fasen van de bedrijfscyclus, zoals de tijdsduur gedurende welke het gereedschap is uitgeschakeld en stationair draait, naast de ingeschakelde tijdsduur).

## EG-verklaring van conformiteit

### Alleen voor Europese landen

De EG-verklaring van conformiteit is bijgevoegd als Bijlage A bij deze gebruiksaanwijzing.

## VEILIGHEIDSWAARSCHUWINGEN

### Algemene veiligheidswaarschuwingen voor elektrisch gereedschap

**⚠️ WAARSCHUWING:** Lees alle veiligheidswaarschuwingen, aanwijzingen, afbeeldingen en technische gegevens behorend bij dit elektrische gereedschap aandachtig door. Als u niet alle onderstaande aanwijzingen naleeft, kan dat resulteren in brand, elektrische schokken en/of ernstig letsel.

### Bewaar alle waarschuwingen en instructies om in de toekomst te kunnen raadplegen.

De term "elektrisch gereedschap" in de veiligheidsvoorschriften duidt op gereedschappen die op stroom van het lichtnet werken (met snoer) of gereedschappen met een accu (snoerloos).

### Veiligheidswaarschuwingen voor een accugrasschaar

#### Algemene instructies

1. Voor een correct gebruik dient de gebruiker deze gebruiksaanwijzing te lezen om zichzelf bekend te maken met de juiste manier van omgaan met het gereedschap. Gebruikers die onvoldoende geïnformeerd zijn, lopen de kans zichzelf en anderen in gevaar te brengen als gevolg van onjuist hanteren.
2. Laat in geen geval kinderen, personen met een verminderd lichamelijk, zintuiglijk of geestelijk vermogen, of gebrek aan kennis en ervaring, en personen die deze gebruiksaanwijzing niet gelezen hebben, het gereedschap gebruiken. De leeftijd van de gebruiker kan landelijk gereguleerd zijn.

3. Gebruik het gereedschap met de hoogst mogelijke zorg en aandacht.
4. Gebruik het gereedschap alleen als u in goede lichamelijke conditie bent. Werk altijd rustig en voorzichtig. Gebruik uw gezond verstand en denk eraan dat de gebruiker van het gereedschap verantwoordelijk is voor ongelukken en gevaren die personen of hun eigendommen kunnen overkomen.
5. Bedien het gereedschap nooit in de buurt van andere personen, met name kinderen, of huisdieren.
6. In het geval dat het gereedschap enig probleem of abnormaal gedrag vertoont, moet de motor onmiddellijk worden uitgeschakeld.
7. Tijdens uitrusten en wanneer het gereedschap onbeheerd achtergelaten wordt, schakelt u het gereedschap uit en verwijdert u de accu, en legt u het gereedschap op een veilige plaats neer om gevaar voor anderen en beschadiging van het gereedschap te voorkomen.
8. Vermijd het gebruik van het gereedschap onder slechte weersomstandigheden, met name wanneer de kans op bliksem bestaat.

#### Persoonlijke-veiligheidsmiddelen

1. Draag tijdens het gebruik van het gereedschap altijd oogbescherming en stevige schoenen.
2. Draag tijdens het gebruik van het gereedschap altijd stevige schoenen en een lange broek.

#### Het gereedschap inschakelen

1. Zorg ervoor dat geen kinderen of andere personen zich in de buurt bevinden, en let ook op of er geen dieren in de werkomgeving zijn. Als dat het geval is, stopt u met het gebruik van het gereedschap.
2. Controleer voor gebruik altijd of het gereedschap veilig is om te gebruiken. Controleer de veiligheid van het snijgarnituur en de beschermkap, en controleer of de trekkerschaakelaar/knop goed werkt en gemakkelijk kan worden bediend. Controleer of de handgrepen schoon en droog zijn en test de werking van de aan-uitschakelaar.
3. Controleer op beschadigde onderdelen voordat u het gereedschap verder gebruikt. Een beschermkap of ander onderdeel dat beschadigd is, moet nauwkeurig worden onderzocht om te beoordelen of het goed werkt en zijn beoogde functie kan uitvoeren. Controleer of bewegende delen goed uitgelijnd zijn en niet vastgelopen zijn, of onderdelen niet kapot zijn en stevig gemonteerd zijn, en enige andere situatie die van invloed kan zijn op de werking van het gereedschap. Een beschermkap of ander onderdeel dat beschadigd is, dient vakkundig te worden gerepareerd of vervangen door een erkend servicecentrum, behalve indien anders aangegeven in deze gebruiksaanwijzing.
4. Schakel de motor alleen in wanneer de handen en voeten uit de buurt van het snijgarnituur zijn.
5. Controleer vóór het starten of het snijgarnituur geen contact maakt met enig voorwerp.

#### Gebruiksmethode

1. Gebruik het gereedschap alleen bij goed licht en zicht. Wees in de winter bedacht op gladde of natte plaatsen, ijs en sneeuw (gevaar voor uitglijden). Verzeker u er altijd van dat u stabiel staat op hellingen, en ren nooit maar loop rustig.
2. Wees voorzichtig uw handen en voeten niet te verwonden aan het snijgarnituur.
3. Sta nooit op een ladder met draaiend gereedschap.
4. Klim nooit in een boom om daar met het gereedschap te werken.
5. Werk nooit op een instabiele ondergrond.
6. Verwijder zand, stenen, nagels, enz. die u binnen uw werkbereik vindt. Vreemde voorwerpen kunnen het snijgarnituur beschadigen en gevaarlijke terugslagen veroorzaken.
7. Als het snijgarnituur stenen of andere harde voorwerpen raakt, moet u de motor onmiddellijk uitschakelen en het snijgarnituur controleren.
8. Controleer het snijgarnituur regelmatig op beschadiging (inspecteren op haarscheurtjes met de kloppeluidentest).
9. Voordat u begint te werken, moet het snijgarnituur op maximaal toerental draaien.
10. Het snijgarnituur moet zijn uitgerust met de bijbehorende beschermkap. Gebruik het gereedschap nooit met een beschadigde beschermkap of zonder aangebrachte beschermkap!
11. Alle beschermingsmiddelen en alle beschermkappen die bij het gereedschap zijn geleverd, moeten tijdens het werk worden gebruikt.
12. Verwijder altijd de accu uit het gereedschap:
  - iedere keer als u het gereedschap onbeheerd achterlaat;
  - voordat u een verstopping opheft;
  - voordat u het gereedschap controleert, reinigt of er werkzaamheden aan gaat verrichten;
  - na het raken van een vreemd voorwerp;
  - als het gereedschap op ongebruikelijke manier begint te trillen.
13. Zorg ervoor dat de ventilatieopeningen altijd vrij zijn van vuil.
14. Het snijgarnituur blijft werken nadat de motor is uitgeschakeld.
15. Als de messenbladen tijdens gebruik stoppen met bewegen doordat vreemde voorwerpen verstrikt geraakt zijn tussen de messenbladen, schakelt u het gereedschap uit en verwijdert u de accu, en verwijdert u vervolgens de vreemde voorwerpen met behulp van gereedschappen, zoals een tang. Als u de vreemde voorwerpen met de hand verwijdert, kan dat leiden tot letsel omdat de messenbladen kunnen gaan bewegen als reactie op het verwijderen van de vreemde voorwerpen.

#### Snijgarnituren

Gebruik uitsluitend het juiste snijgarnituur voor de geplande werkzaamheden.

## Onderhoudsinstructies

1. De toestand van het gereedschap, met name die van het snijgarnituur en de veiligheidsuitrusting, moet worden gecontroleerd voor aanvang van de werkzaamheden.
2. Schakel de motor uit en verwijder de accu voordat u onderhoudswerkzaamheden uitvoert, het snijgarnituur vervangt, of het gereedschap of de snijgarnituur schoonmaakt.
3. Als een gereedschap niet wordt gebruikt, dient dit binnen te worden opgeborgen op een droge, hoge of afgesloten plaats, buiten het bereik van kinderen. Onderhoud het gereedschap en maak het schoon voordat u het opbergt.

## BEWAAR DEZE VOORSCHRIFTEN.

**⚠️ WAARSCHUWING:** Laat u NIET misleiden door een vals gevoel van comfort en bekendheid met het gereedschap (na veelvuldig gebruik) en neem alle veiligheidsvoorschriften van het betreffende gereedschap altijd strikt in acht. VERKEERD GEBRUIK of het niet naleven van de veiligheidsvoorschriften in deze gebruiksaanwijzing kan leiden tot ernstig letsel.

## Veiligheids waarschuwingen voor een accuheggenchaar

1. Houd alle lichaamsdelen uit de buurt van de messenbladen. Verwijder geen snoeiafval en houd geen materiaal om te snoeien vast terwijl de messenbladen bewegen. De messenbladen blijven bewegen nadat de schakelaar is uitgezet. Een ogenblik van onoplettendheid kan tijdens het gebruik van de heggenschaar leiden tot ernstig persoonlijk letsel.
2. Draag de heggenschaar aan de handgreep met stilstaande messenbladen en let erop dat u geen enkele aan-uitschakelaar bedient. Door op de juiste manier de heggenschaar te dragen, verkleint u de kans op per ongeluk starten met als gevolg persoonlijk letsel door de messenbladen.
3. Bij het transporteren of opbergen van de heggenschaar moet altijd de schede worden aangebracht over de messenbladen. Door op de juiste manier met de heggenschaar om te gaan, verkleint u de kans op persoonlijk letsel door de messenbladen.
4. Bij het verwijderen van vastgelopen materiaal of uitvoeren van onderhoud, verzekert u zich ervan dat alle aan-uitschakelaars uit staan en de accu is verwijderd of losgekoppeld. Onverwachte inschakeling van de heggenschaar tijdens het verwijderen van vastgelopen materiaal of uitvoeren van onderhoud, kan leiden tot ernstig persoonlijk letsel.
5. Houd de heggenschaar alleen vast bij de geïsoleerde oppervlakken omdat de messenbladen met verborgen bedrading in aanraking kunnen komen. Wanneer de messenbladen in aanraking komen met onder spanning staande draden, zullen de niet-geïsoleerde metalen delen van de heggenschaar onder spanning komen te staan zodat de gebruiker een elektrische schok kan krijgen.

6. Houd alle netsnoeren en kabels uit de buurt van het snoeigebied. Netsnoeren en kabels kunnen verborgen liggen in heggen of struiken en kunnen per ongeluk worden doorgesneden door de messenbladen.
7. Gebruik de heggenschaar niet onder slechte weersomstandigheden, met name wanneer de kans op bliksem bestaat. Dit verkleint de kans om door de bliksem getroffen te worden.

## Aanvullende veiligheidsinstructies

### Vorbereidingen

1. Controleer de heggen en struiken op vreemde voorwerpen, zoals draadafstering of verborgen draden, voordat u het gereedschap gebruikt.
2. Het gereedschap mag niet worden gebruikt door kinderen of jongeren onder de 18 jaar. Jongeren ouder dan 16 jaar kunnen uitgezonderd worden van deze regel mits zij les krijgen onder toezicht van een expert.
3. Beginnende gebruikers dienen door een ervaren gebruiker te worden voorgedaan hoe het gereedschap moet worden gebruikt.
4. Gebruik het gereedschap alleen als u in goede lichamelijke conditie verkeert. Als u vermoeid bent, kunt u zich minder goed concentreren. Wees met name voorzichtig aan het einde van de werkdag. Werk altijd rustig en voorzichtig. De gebruiker is aansprakelijk voor alle schade toegebracht aan derden.
5. Gebruik het gereedschap nooit onder invloed van alcohol, drugs of medicijnen.
6. Werkhandschoenen van stevig leer maken deel uit van de standaard werkuitrusting van het gereedschap en moeten tijdens het werken ermee altijd worden gedragen. Draag tevens stevige schoenen met antislip zolen.
7. Alvorens met de werkzaamheden te beginnen, moet u controleren of het gereedschap in goede en veilige staat verkeert. Controleer dat de beschermkappen stevig gemonteerd zijn. Het gereedschap mag niet worden gebruikt voordat deze geheel compleet en afgemonteerd is.

### Bediening

1. Houd tijdens het gebruik het gereedschap stevig vast.
2. Het gereedschap is bedoeld om te worden gebruikt door een gebruiker die op de grond staat. Gebruik het gereedschap niet op een ladder of andere instabiele ondergrond.
3. Draag niet tegelijkertijd meerdere schouderriemen en/of schouderdraagstellen wanneer u het gereedschap bedient.
4. GEVAAR - Houd uw handen uit de buurt van de messenbladen. Aanraking van de messenbladen kan leiden tot ernstig persoonlijk letsel.
5. Gebruik het gereedschap niet in de regen of onder natte of zeer vochtige omstandigheden. De elektromotor is niet waterdicht.
6. Zorg alvorens met de werkzaamheden te beginnen ervoor dat u stevig staat.



7. Laat het gereedschap niet onnodig onbelast draaien.
8. Schakel het gereedschap onmiddellijk uit en verwijder de accu als de messenbladen in aanraking komen met een afrastering of ander hard voorwerp. Controleer de messenbladen op beschadigingen en indien beschadigd, vervangt u de messenbladen onmiddellijk.
9. Alvorens de messenbladen te controleren, storingen te verhelpen of vastgelopen materiaal uit de messenbladen te verwijderen, schakelt u het gereedschap altijd uit en verwijdert u de accu.
10. Richt de messenbladen nooit op uzelf of anderen.
11. Als de messenbladen tijdens gebruik stoppen met bewegen doordat vreemde voorwerpen verstrikt geraakt zijn tussen de messenbladen, schakelt u het gereedschap uit en verwijdert u de accu, en verwijdert u vervolgens de vreemde voorwerpen met behulp van gereedschappen, zoals een tang. Als u de vreemde voorwerpen met de hand verwijdert, kan dat leiden tot letsel omdat de messenbladen kunnen gaan bewegen als reactie op het verwijderen van de vreemde voorwerpen.
12. Vermijd gevaarlijke omgevingen. Gebruik het gereedschap niet op vochtige of natte plaatsen en stel het niet bloot aan regen. Als water binnendringt in het gereedschap, wordt de kans op een elektrische schok groter.

#### Onderhoud en opslag

1. Schakel het gereedschap uit en verwijder de accu alvorens enige onderhoudswerkzaamheden uit te voeren.
2. Wanneer u het gereedschap naar een andere plaats overbrengt, ook tijdens het werk, verwijdert u altijd eerst de accu en brengt u de schade aan over de messenbladen. Draag of vervoer het gereedschap nooit met ingeschaalde messenbladen. Pak de messenbladen nooit met uw handen beet.
3. Reinig het gereedschap, en met name de messenbladen, na ieder gebruik en voordat het gereedschap langdurig wordt opgeborgen. Smeer de messenbladen met een beetje olie en breng de schade aan.
4. Berg het gereedschap met aangebrachte schade op in een droog vertrek. Houd het gereedschap buiten bereik van kinderen. Laat het gereedschap nooit buiten liggen.
5. Werp de accu('s) niet in een vuur. De accu kan exploderen. Raadpleeg de lokale regelgeving voor mogelijke speciale verwerkingsvereisten.
6. Open of vervorm de accu('s) niet. Het elektrolyt is agressief en kan letsel toebrengen aan de ogen en huid. Het kan giftig zijn bij inslikken.
7. Laad de accu niet op in de regen of op een natte plaats.

## BEWAAR DEZE VOORSCHRIFTEN.

**⚠WAARSCHUWING:** Laat u NIET misleiden door een vals gevoel van comfort en bekendheid met het gereedschap (na veelvuldig gebruik) en neem alle veiligheidsvoorschriften van het betreffende gereedschap altijd strikt in acht. **VERKEERD GEBRUIK** of het niet naleven van de veiligheidsvoorschriften in deze gebruiksaanwijzing kan leiden tot ernstig letsel.

### Belangrijke veiligheidsinstructies voor een accu

1. Lees alle voorschriften en waarschuwingen op (1) de acculader, (2) de accu, en (3) het product waarvoor de accu wordt gebruikt, alvorens de accu in gebruik te nemen.
2. Haal de accu niet uit elkaar en saboteer hem niet. Dit kan leiden tot brand, buitensporige hitte of een explosie.
3. Als de gebruikstijd van een opgeladen accu aanzienlijk korter is geworden, moet u het gebruik ervan onmiddellijk stopzetten. Voortgezet gebruik kan oververhitting, brandwonden en zelfs een ontploffing veroorzaken.
4. Als elektrolyt in uw ogen is terechtgekomen, spoelt u uw ogen met schoon water en roept u onmiddellijk de hulp van een dokter in. Elektrolyt in de ogen kan blindheid veroorzaken.
5. Voorkom kortsluiting van de accu:
  - (1) Raak de accuklemmen nooit aan met een geleidend materiaal.
  - (2) Bewaar de accu niet in een bak waarin andere metalen voorwerpen zoals spijkers, munten e.d. worden bewaard.
  - (3) Stel de accu niet bloot aan water of regen. Kortsluiting van de accu kan oorzaak zijn van een grote stroomafgifte, oververhitting, brandwonden, en zelfs defecten.
6. Bewaar en gebruik het gereedschap en de accu niet op plaatsen waar de temperatuur kan oplopen tot 50 °C of hoger.
7. Werp de accu nooit in het vuur, ook niet wanneer hij zwaar beschadigd of volledig versleten is. De accu kan ontploffen in het vuur.
8. Laat de accu niet vallen, sla er geen spijker in, snijd er niet in, gooi er niet mee en stoot hem niet tegen een hard voorwerp. Dergelijke handelingen kunnen leiden tot brand, buitensporige hitte of een explosie.
9. Gebruik nooit een beschadigde accu.
10. De bijgeleverde lithium-ionbatterijen zijn onderhevig aan de vereisten in de wetgeving omtrent gevaarlijke stoffen. Voor commercieel transport en dergelijke door derden en transporteurs moeten speciale vereisten ten aanzien van verpakking en etikettering worden nageleefd. Als voorbereiding van het artikel dat wordt getransporteerd is het noodzakelijk een expert op het gebied van gevaarlijke stoffen te raadplegen. Houd u tevens aan mogelijk strengere nationale regelgeving. Blootliggende contactpunten moeten worden afgedekt met tape en de accu moet zodanig worden verpakt dat deze niet kan bewegen in de verpakking.

11. Wanneer u de accu wilt weggooiden, verwijdert u de accu vanaf het gereedschap en gooit u hem op een veilige manier weg. Volg bij het weggooiden van de accu de plaatselijke voorschriften.
12. Gebruik de accu's uitsluitend met de gereedschappen die door Makita zijn aanbevolen. Als de accu's worden aangebracht in niet-compatibele gereedschappen, kan dat leiden tot brand, buitensporige warmteontwikkeling, een explosie of lekkage van elektrolyt.
13. Als u het gereedschap gedurende een lange tijd niet denkt te gaan gebruiken, moet de accu vanaf het gereedschap worden verwijderd.
14. Tijdens en na gebruik, kan de accu heet worden waardoor brandwonden of koude brandwonden kunnen worden veroorzaakt. Wees voorzichtig bij het hanteren van een hete accu.
15. Raak de aansluitpunten van het gereedschap niet onmiddellijk na gebruik aan omdat deze heet genoeg kunnen zijn om brandwonden te veroorzaken.
16. Zorg ervoor dat geen steenslag, stof of grond vast komt te zitten op/in de aansluitpunten, openingen en groeven van de accu. Dit kan leiden tot slechte prestaties of een defect van het gereedschap of de accu.
17. Behalve indien gebruik van het gereedschap is toegestaan in de buurt van hoogspanningsleidingen, mag u de accu niet gebruiken in de buurt van een hoogspanningsleiding. Dit kan leiden tot een storing of een defect van het gereedschap of de accu.
18. Houd de accu uit de buurt van kinderen.

## BEWAAR DEZE INSTRUCTIES.

**⚠ALLET OP:** Gebruik uitsluitend originele Makita accu's. Het gebruik van niet-originele accu's, of accu's die zijn gewijzigd, kan ertoe leiden dat de accu ontploft en brand, persoonlijk letsel en schade veroorzaakt. Ook vervalt daarmee de garantie van Makita op het gereedschap en de lader van Makita.

## Tips voor een maximale levensduur van de accu

1. Laad de accu op voordat hij volledig ontladen is. Stop het gebruik van het gereedschap en laad de accu op telkens wanneer u vaststelt dat het vermogen van het gereedschap is afgenomen.
2. Laad een volledig opgeladen accu nooit opnieuw op. Te lang opladen verkort de levensduur van de accu.
3. Laad de accu op bij een omgevingstemperatuur tussen 10 °C en 40 °C. Laat een warme accu afkoelen alvorens hem op te laden.
4. Als de accu niet wordt gebruikt, verwijdert u hem vanaf het gereedschap of de lader.
5. Laad de accu op als u deze gedurende een lange tijd (meer dan zes maanden) niet gaat gebruiken.

## BESCHRIJVING VAN DE FUNCTIES

**⚠ALLET OP:** Zorg altijd dat het gereedschap is uitgeschakeld en de accu ervan is verwijderd alvorens de functies op het gereedschap af te stellen of te controleren.

### Het gereedschap als een accuheggenchaar gebruiken

Dit gereedschap kan worden gebruikt als een accuheggenchaar door de messenbladen voor een heggenchaar aan te brengen.

### De accu aanbrengen en verwijderen

**⚠ALLET OP:** Schakel het gereedschap altijd uit voordat u de accu aanbrengt of verwijdert.

**⚠ALLET OP:** Houd het gereedschap en de accu stevig vast tijdens het aanbrengen of verwijderen van de accu. Als u het gereedschap en de accu niet stevig vasthoudt, kunnen deze uit uw handen glijpen en het gereedschap of de accu beschadigen, of kan persoonlijk letsel worden veroorzaakt.

► Fig.1: 1. Rood deel 2. Knop 3. Accu

Om de accu te verwijderen verschuift u de knop aan de voorkant van de accu en schuift u tegelijkertijd de accu uit het gereedschap.

Om de accu aan te brengen lijnt u de lip op de accu uit met de groef in de behuizing en duwt u de accu op zijn plaats. Steek de accu zo ver mogelijk in het gereedschap tot u een klikgeluid hoort. Wanneer het rode deel zichtbaar is, zoals aangegeven in de afbeelding, is de accu niet geheel vergrendeld.

**⚠ALLET OP:** Breng de accu altijd helemaal aan totdat het rode deel niet meer zichtbaar is. Als u dit niet doet, kan de accu per ongeluk uit het gereedschap vallen en u of anderen in uw omgeving verwonden.

**⚠ALLET OP:** Breng de accu niet met kracht aan. Als de accu niet gemakkelijk in het gereedschap kan worden geschoven, wordt deze niet goed aangebracht.

### Gereedschap-/accubeveiligingssysteem

Het gereedschap is voorzien van een gereedschap-/accubeveiligingssysteem. Dit systeem schakelt automatisch de voeding naar de motor uit om de levensduur van het gereedschap en de accu te verlengen. Het gereedschap kan tijdens het gebruik automatisch stoppen als het gereedschap of de accu aan één van de volgende omstandigheden wordt blootgesteld:

### Overbelastingsbeveiliging

Wanneer de accu wordt bediend op een manier die ertoe leidt dat een abnormaal hoge stroomsterkte wordt getrokken, stopt het gereedschap automatisch. Schakel in die situatie het gereedschap uit en stop het gebruik dat ertoe leidde dat het gereedschap overbelast raakte. Schakel daarna het gereedschap in om het weer te starten.

## Oververhittingsbeveiliging

Wanneer de accu oververhit is, stopt het gereedschap automatisch. Laat in dat geval het gereedschap en de accu afkoelen voordat u het gereedschap opnieuw inschakelt.

## Beveiliging tegen te ver ontladen

Als de acculading onvoldoende is, stopt het gereedschap automatisch. Als u het gereedschap inschakelt, draait de motor weer, maar stopt spoedig. In dit het geval verwijdt u de accu vanaf het gereedschap en laadt u de accu op.

## De trekkerschakelaar gebruiken

**WAARSCHUWING:** Alvorens de accu in het gereedschap te plaatsen, moet u altijd controleren of de trekkerschakelaar goed werkt en bij het loslaten terugkeert naar de stand "OFF".

**WAARSCHUWING:** Omwille van uw veiligheid is dit gereedschap uitgerust met een uit-vergrendelknop die voorkomt dat het gereedschap onbedoeld wordt ingeschakeld. Gebruik het gereedschap nooit wanneer het kan worden ingeschakeld door de trekkerschakelaar in te knijpen zonder de uit-vergrendelknop in te drukken. Vraag uw plaatselijk Makita-servicecentrum het gereedschap te repareren.

**WAARSCHUWING:** Blokker nooit de vergrendelingsfunctie en zet de uit-vergrendelknop nooit met plakband vast.

**KENNISGEVING:** Knijp de trekkerschakelaar niet met grote kracht in zonder de uit-vergrendelknop in te drukken. Als u dit doet, kan de schakelaar kapot gaan.

► Fig.2: 1. Trekkerschakelaar 2. Uit-vergrendelknop

Om te voorkomen dat de trekkerschakelaar per ongeluk wordt ingeknepen, is een uit-vergrendelknop aangebracht. Om het gereedschap te starten, drukt u de uit-vergrendelknop in en knijpt u de trekkerschakelaar in. Laat de trekkerschakelaar los om het gereedschap te stoppen. De uit-vergrendelknop kan vanaf zowel de linker- als de rechterkant worden ingedrukt.

## Indicatorlampje

Als de resterende acculading laag of op is, gaat het indicatorlampje knipperen of branden. Het indicatorlampje gaat ook branden wanneer het gereedschap overbelast wordt.

► Fig.3: 1. Indicatorlampje

### Status van lampje en te nemen maatregel

Indicatorlampje	Status	Te nemen maatregel
Het lampje knippert rood.	De resterende acculading is laag.	Laad de accu op.
Het lampje brandt rood. *	Het gereedschap is gestopt omdat de resterende acculading op is.	Laad de accu op.
	Het gereedschap is gestopt als gevolg van overbelasting.	Schakel het gereedschap uit.

\* Het moment waarop het indicatorlampje gaat branden varieert afhankelijk van de temperatuur in het werkgebied en de toestand van de accu.

## De snijhoogte instellen (voor grasschaar)

### Optioneel accessoire

**LET OP:** Bij het veranderen van de snijhoogte moet de schede zijn aangebracht en bent u voorzichtig dat uw vingers niet bekneld raken tussen het gereedschap en de grasvanger.

De snijhoogte kan worden ingesteld op drie hoogten (15 mm, 20 mm en 25 mm) door de vaste stand van de grasvanger te veranderen. De snijhoogte zonder grasvanger is ongeveer 10 mm.

1. Schuif de grasvanger in de richting van de voorkant van het gereedschap.

► Fig.4: 1. Grasvanger

2. Verander de vaste stand van de grasvanger door deze te verplaatsen in de richting van de pijl.

► Fig.5

**OPMERKING:** De gegeven snijhoogte is slechts een richtlijn. De werkelijke snijhoogte kan variëren afhankelijk van de toestand van het gazon of de grond.

**OPMERKING:** Test de grasschaar uit op een minder opvallende plaats om de gewenste snijhoogte te bepalen.

## MONTAGE

**LET OP:** Zorg altijd dat het gereedschap is uitgeschakeld en de accu ervan is verwijderd alvorens enig werk aan het gereedschap uit te voeren.

**LET OP:** Draag bij het aanbrengen of verwijderen van de messenbladen altijd handschoenen en breng de schede aan zodat uw handen en gezicht niet rechtstreeks in aanraking komen met de messenbladen.

**KENNISGEVING:** Bij het aanbrengen of verwijderen van de messenbladen veegt u het vet op het tandwiel en de kruk er niet af.

## De schede aanbrengen en verwijderen

**LET OP:** Wees voorzichtig bij het aanbrengen en verwijderen van de schede dat u de messenbladen niet aanraakt.

Om de schede te verwijderen, trekt u er licht aan en schuift u hem vervolgens zijwaarts. Om de schede aan te brengen, voert u de bovenstaande stappen in omgekeerde volgorde uit.

► Fig.6

## De grasvanger aanbrengen en verwijderen

### Optioneel accessoire

**⚠ LET OP:** Bij het aanbrengen en verwijderen van de grasvanger moet de schede zijn aangebracht en bent u voorzichtig dat uw vingers niet bekneld raken tussen het gereedschap en de grasvanger.

## De grasvanger aanbrengen

1. Haak het draaipunt van de grasvanger in de groef van het gereedschap.

► Fig.7: 1. Draaipunt 2. Grasvanger

2. Lijn de uitsteeksels van de grasvanger uit met de groeven van het gereedschap door de grasvanger in de richting van de voorkant van het gereedschap te verschuiven en het in de richting van de pijl te bewegen.

► Fig.8

**KENNISGEVING:** Bevestig het draaipunt van de grasvanger niet met grote kracht aan het gereedschap nadat de uitsteeksels van de grasvanger zijn uitgelijnd met de groeven van het gereedschap.

## De grasvanger verwijderen

1. Maak de uitsteeksels van de grasvanger los uit de groeven van het gereedschap terwijl u de grasvanger in de richting van de voorkant van het gereedschap verschuift.

► Fig.9: 1. Grasvanger

2. Maak het draaipunt van de grasvanger los van het gereedschap.

## De messenbladen voor de grasschaar aanbrengen en verwijderen

**KENNISGEVING:** Als andere onderdelen dan de messenbladen, zoals de kruk, zijn versleten, vraagt u een erkend Makita-servicecentrum, de onderdelen te vervangen of het gereedschap te repareren.

## De messenbladen verwijderen

1. Verwijder de grasvanger als deze is aangebracht. Plaats het gereedschap ondersteboven.

► Fig.10

2. Houd de vergrendelknop ingedrukt en draai het onderdeksel linksom tot  op het onderdeksel is uitgelijnd met  op de vergrendelknop.

► Fig.11: 1. Onderdeksel 2. Vergrendelknop

3. Verwijder het onderdeksel, de messenbladen en de kruk.

► Fig.12: 1. Onderdeksel 2. Messenbladen 3. Kruk

## De messenbladen aanbrengen

1. Bereid de kruk, het onderdeksel en de nieuwe messenbladen voor.

► Fig.13: 1. Kruk 2. Onderdeksel 3. Messenbladen

2. Verwijder de schede vanaf de oude messenbladen en breng hem aan op de nieuwe messenbladen.

► Fig.14: 1. Schede

3. Stel de drie pennen af zodat ze uitgelijnd staan op de uitlijnlijn.

► Fig.15: 1. Uitlijnlijn

4. Breng een kleine hoeveelheid smeervet aan op de omtrek van de kruk. Bevestig de kruk aan de pennen met de kleine en grote rondjes omhoog gericht.

► Fig.16: 1. Kruk



5. Stel de messenbladen en geleideplaat zodanig af dat het gat in de geleideplaat en de twee uitsteeksels op de messenbladen uitgelijnd zijn.

► Fig.17: 1. Geleideplaat



6. Draai de messenbladen ondersteboven en breng ze zodanig aan dat de pennen van het gereedschap passen in het gat van de geleideplaat. Controleer of de messenbladen stevig op hun plaats vastzitten.

► Fig.18: 1. Geleideplaat

**OPMERKING:** Door de schede iets naar voren te schuiven is het gemakkelijker om de messenbladen aan te brengen.

7. Plaats het onderdeksel zodanig dat  op het onderdeksel is uitgelijnd met  op de vergrendelknop.

► Fig.19: 1. Onderdeksel 2. Vergrendelknop

8. Blijf op het onderdeksel drukken en draai het onderdeksel rechtsom tot  op het onderdeksel is uitgelijnd met  op de vergrendelknop.

► Fig.20: 1. Onderdeksel 2. Vergrendelknop

9. Zorg ervoor dat de vergrendelknop in de groef van het onderdeksel valt.

► Fig.21: 1. Vergrendelknop

**⚠ LET OP:** Gebruik het gereedschap nooit zonder dat het onderdeksel is aangebracht.

10. Verwijder de schede en schakel daarna het gereedschap in om te controleren of het goed werkt.



**KENNISGEVING:** Als de messenbladen niet goed werken, grijpen de messenbladen niet goed aan op de kruk. Verwijder de messenbladen en breng ze opnieuw aan.

## De messenbladen voor een heggenschaar aanbrengen en verwijderen

**⚠ LET OP:** Breng de schede aan voordat u de messenbladen aanbrengt of verwijdert.

**KENNISGEVING:** Als andere onderdelen dan de messenbladen, zoals de kruk, zijn versleten, vraagt u een erkend Makita-servicecentrum, de onderdelen te vervangen of het gereedschap te repareren.

## De messenbladen verwijderen

1. Plaats het gereedschap ondersteboven.  
▶ Fig.22
2. Houd de vergrendelknop ingedrukt en draai het onderdeel linksom tot  op het onderdeel is uitgelijnd met  op de vergrendelknop.  
▶ Fig.23: 1. Vergrendelknop 2. Onderdeksel
3. Verwijder het onderdeel.  
▶ Fig.24: 1. Onderdeksel
4. Draai de twee schroeven los met een schroevendraaier en verwijder de messenbladen.  
▶ Fig.25: 1. Schroeven

**OPMERKING:** De messenbladen kunnen worden verwijderd zonder de schroeven eruit te draaien.

5. Verwijder de kruk vanaf de messenbladen.  
▶ Fig.26: 1. Kruk

**OPMERKING:** De kruk kan achterblijven in het gereedschap.

**OPMERKING:** Bevestig de schede en de opbergafdekking op de verwijderde messenbladen, en berg daarna de messenbladen op.




## De messenbladen aanbrengen

1. Bereid de kruk, het onderdeel en de nieuwe messenbladen voor.  
▶ Fig.27: 1. Kruk 2. Onderdeksel 3. Messenbladen
2. Breng de schede aan op de messenbladen.  
▶ Fig.28: 1. Schede
3. Stel de drie pennen af zodat ze uitgelijnd staan op de uitlijnlijn.  
▶ Fig.29: 1. Uitlijnlijn
4. Breng een kleine hoeveelheid smeervet aan op de omtrek van de kruk. Bevestig de kruk aan de pennen met zijn kleine en grote rondjes omlaag gericht.  
▶ Fig.30: 1. Kruk
5. Verschuif de messenbladen zodanig dat het gat in de geleideplaat zich in het midden van de ringen van de messenbladen bevindt.  
▶ Fig.31: 1. Geleideplaat

6. Draai de messenbladen ondersteboven en breng ze zodanig in het gereedschap aan dat de pen van het gereedschap past in het gat van de messenbladen. Steek de klaw van de geleideplaat in de groef van het gereedschap. Controleer of de messenbladen stevig op hun plaats vastzitten.

▶ Fig.32: 1. Klaw 2. Geleideplaat

**OPMERKING:** Door de schede iets naar voren te schuiven is het gemakkelijker om de messenbladen aan te brengen.

7. Draai de twee schroeven stevig vast met een schroevendraaier.  
▶ Fig.33: 1. Schroeven
8. Plaats het onderdeel zodanig dat  op het onderdeel is uitgelijnd met  op de vergrendelknop.  
▶ Fig.34: 1. Vergrendelknop 2. Onderdeksel
9. Blijf op het onderdeel drukken en draai het onderdeel rechtsom tot  op het onderdeel is uitgelijnd met  op de vergrendelknop.  
▶ Fig.35: 1. Onderdeksel
10. Zorg ervoor dat de vergrendelknop in de groef van het onderdeel valt.  
▶ Fig.36: 1. Vergrendelknop

**⚠ LET OP:** Gebruik het gereedschap nooit zonder dat het onderdeel is aangebracht.

11. Verwijder de schede en schakel daarna het gereedschap in om te controleren of het goed werkt.

**KENNISGEVING:** Als de messenbladen niet goed werken, grijpen de messenbladen niet goed aan op de kruk. Verwijder de messenbladen en breng ze opnieuw aan.

## De snoeiafvalvanger aanbrengen en verwijderen

### Optioneel accessoire

**⚠ LET OP:** Draag bij het aanbrengen of verwijderen van de snoeiafvalvanger altijd handschoenen en breng de schede aan zodat uw handen en gezicht niet rechtstreeks in aanraking komen met de messenbladen.

De snoeiafvalvanger verzamelt afgesneden bladeren waardoor het opruimen later veel gemakkelijker is. Hij kan aan beide kanten van het gereedschap worden bevestigd.

Om de snoeiafvalvanger te bevestigen, drukt u hem tegen de messenbladen zodat de haken passen in de gaten van de messenbladen.

▶ Fig.37: 1. Haken 2. Gaten

Om de snoeiafvalvanger te verwijderen, drukt u de knoppen aan beide kanten in om de haken te ontgrendelen.

▶ Fig.38: 1. Knoppen

**KENNISGEVING:** Probeer de snoeiafvalvanger nooit met grote kracht te verwijderen terwijl de haken aangrijpen in de gaten van de messenbladen.

## BEDIENING

**⚠ WAARSCHUWING:** Voordat u begint de snoeien, verwijdert u alle takken en stenen uit het gebied dat u gaat snoeien. Verwijder tevens van tevoren eventueel onkruid uit het gebied dat u gaat snoeien.

► Fig.39

**⚠ WAARSCHUWING:** Houd uw handen uit de buurt van de messenbladen.

**⚠ LET OP:** Vermijd, voor zover dat praktisch is, het gebruik van het gereedschap bij zeer warm weer. Let tijdens gebruik van het gereedschap op uw fysieke toestand.

### Snijden (voor grasschaar)

Schakel het gereedschap in nadat de snijhoogte is ingesteld en houdt het zodanig vast dat de onderkant van het gereedschap op de grond rust. Beweeg het gereedschap voorzichtig naar voren.

► Fig.40

Bij het snijden van gras naast betonranden, afrasteringspaaltjes of bomen beweegt u het gereedschap voorzichtig er omheen. Wees voorzichtig dat de messenbladen er niet tegenaan komen.

► Fig.41

Bij het afsnijden van sprietten of dunne takjes van kleine bomen, snijdt u er beetje bij beetje af.

► Fig.42

Snoei grotere takken met behulp van een snoeischaar op de gewenste lengte voordat u dit gereedschap gebruikt.

**KENNISGEVING:** Gebruik het gereedschap niet op een manier waardoor de motor stopt of zeer langzaam werkt.

**KENNISGEVING:** Probeer niet om dikkere takken te snoeien.

**KENNISGEVING:** Zorg ervoor dat de messenbladen tijdens gebruik niet de grond raken. De messenbladen worden hierdoor bot waardoor slechte resultaten ontstaan.

**KENNISGEVING:** Gebruik het gereedschap niet wanneer het gras of de boombladeren nat zijn.

### Lang gras snijden

Probeer niet om lang gras in één keer kort te snijden. Snijd in plaats daarvan het gras in meerdere stappen kort. Wacht een dag of twee tussen de snijbeurten totdat het gras gelijkmatig kort is.

► Fig.43

**OPMERKING:** Als u het lange gras in één keer kort snijdt, kan het gras dood gaan.

## Snoeien (voor de heggenchaar)

**⚠ LET OP:** Wees voorzichtig niet per ongeluk een metalen afrastering of andere harde voorwerpen te raken tijdens het snoeien. De messenbladen kunnen hierdoor breken en letsel veroorzaken.

**⚠ LET OP:** Wees voorzichtig dat de messenbladen tijdens gebruik niet de grond raken. Het gereedschap kan hierdoor terugslaan en letsel veroorzaken.

**⚠ LET OP:** Het is bijzonder gevaarlijk met de heggenchaar te ver te reiken, met name op een ladder. Werk niet vanuit een wankele of instabiele stand.

**KENNISGEVING:** Probeer geen takken dikker dan 10 mm diameter te snoeien met het gereedschap. Snoei takken met behulp van een snoeischaar op 10 cm lager af dan de snoeihoogte voordat u het gereedschap gebruikt.

► Fig.44: (1) Snoeihoogte (2) 10 cm

**KENNISGEVING:** Snoei niet in dode bomen of andere harde voorwerpen. Als u dit toch doet, kan het gereedschap worden beschadigd.

**KENNISGEVING:** Snijd geen gras of onkruiden met de messenbladen. Het gras of de onkruiden kunnen verstrikt raken in de messenbladen.

Houd het gereedschap met één hand vast, druk de uit-vergrendelknop in en knijp de trekkerschakelaar in, en beweeg het vervolgens naar voren.

► Fig.45

Als standaardmethode houdt u de messenbladen gekanteld in de snoeirichting en beweegt u ze rustig en langzaam met een snelheid van 3 of 4 seconden per meter.

► Fig.46

Om de bovenkant van een heg gelijkmatig te snoeien, is het handig een touwtje op de gewenste hoogte te spannen en er langs te snoeien.

► Fig.47

Als de snoeiafvalvanger is bevestigd aan de messenbladen, verzamelt hij de afgesneden bladeren en maakt het opruimen later veel gemakkelijker.

Om de zijkant van een heg gelijkmatig te snoeien, snoeit u van onder naar boven.

► Fig.48

Als u een ronde vorm wilt snoeien (snoeien van buxus, rododendron, enz.), snoeit u van onder naar boven voor een mooie afwerking.

► Fig.49

## ONDERHOUD

**⚠ LET OP:** Zorg altijd dat het gereedschap is uitgeschakeld en de accu ervan is verwijderd alvorens te beginnen met onderhoud of inspectie.

Om de VEILIGHEID en BETROUWBAARHEID van het gereedschap te handhaven, dienen alle reparaties, onderhoud of afstellingen te worden uitgevoerd bij een erkend Makita-servicecentrum of de Makita-fabriek, en altijd met gebruik van Makita-ervangingsonderdelen.

### Het gereedschap reinigen

Reinig het gereedschap door het stof eraf te vegen met een droge doek of een doek gedoopt in zeepwater en uitgewrongen.

**KENNISGEVING:** Gebruik nooit benzine, wasbenzine, thinner, alcohol en dergelijke. Hierdoor kunnen verkleuring, vervormingen en barsten worden veroorzaakt.

### Onderhoud van messenbladen

Voorafgaand aan het gebruik, en één keer per uur tijdens gebruik, brengt u olie met een lage viscositeit (machineolie of smeerolie uit een spuitbus) aan op de messenbladen.

► Fig.50

► Fig.51

Verwijder na de werkzaamheden het vuil vanaf beide zijden van de messenbladen met behulp van een staalborstel, veeg de messenbladen schoon met een doek, en breng daarna olie met een lage viscositeit (machineolie of smeerolie uit een spuitbus) aan op de messenbladen.

► Fig.52

► Fig.53

**KENNISGEVING:** Was de messenbladen niet met water. Als u dit toch doet, kan het gereedschap gaan roesten of worden beschadigd.

**KENNISGEVING:** Vuil en roest zorgen voor een buitensporige weerstand tussen de messenbladen en verkorten de gebruiksduur van een acculading.

### Opslag

Het gat voor de haak in de onderkant van het gereedschap is handig om het gereedschap aan een spijker of schroef in de muur te hangen.

Schuif de schede over de messenbladen zodat deze niet bloot liggen. Bewaar het gereedschap buiten bereik van kinderen. Bewaar het gereedschap op een plaats die niet is blootgesteld aan vocht of regen.

► Fig.54: 1. Gat

► Fig.55: 1. Gat

## OPTIONELE ACCESSOIRES

**⚠ LET OP:** Deze accessoires of hulpstukken worden aanbevolen voor gebruik met het Makita gereedschap dat in deze gebruiksaanwijzing is beschreven. Bij gebruik van andere accessoires of hulpstukken bestaat het gevaar van persoonlijke letsel. Gebruik de accessoires of hulpstukken uitsluitend voor hun bestemde doel.

Went u meer bijzonderheden over deze accessoires, neem dan contact op met het plaatselijke Makita-servicecentrum.

- Messenbladen compleet (voor gebruik als grasschaar)
- Schede (voor gebruik als grasschaar)
- Grasvanger (voor gebruik als grasschaar)
- Hulpstuk met lange handgrepen (voor gebruik als grasschaar)
- Messenbladen compleet (voor gebruik als heggenschaar)
- Schede (voor gebruik als heggenschaar)
- Snoeiafvalvanger (voor gebruik als heggenschaar)
- Opbergafdekking
- Originele Makita-accu en -acculader

**OPMERKING:** Sommige items op de lijst kunnen zijn inbegrepen in de doos van het gereedschap als standaard toebehoren. Deze kunnen van land tot land verschillen.

# ESPECIFICACIONES

<b>Modelo:</b>		<b>UM110D</b>
Anchura de corte		110 mm
Carreras por minuto		2.500 min <sup>-1</sup>
Número de pieza de cuchilla de tijeras de recambio	Tijeras para hierba	191N23-4, 195267-4
	Cortasetos	191N24-2, 198408-1
Dimensiones (La x An x Al)		331 mm x 120 mm x 130 mm
Tensión nominal		CC 18 V
Peso neto		1,4 kg - 1,5 kg

- Debido a nuestro continuado programa de investigación y desarrollo, las especificaciones aquí dadas están sujetas a cambios sin previo aviso.
- Las especificaciones y el cartucho de batería pueden diferir de país a país.
- El peso puede variar dependiendo del accesorio(s), incluyendo el cartucho de batería. La combinación menos pesada y la más pesada, de acuerdo con el procedimiento EPTA 01/2014, se muestran en la tabla.

## Cartucho de batería y cargador aplicables

Cartucho de batería	BL1813G / BL1815G
Cargador	DC18WA

- Algunos de los cartuchos de batería y cargadores indicados arriba puede que no estén disponibles dependiendo de su región de residencia.

**⚠ ADVERTENCIA:** Utilice solamente los cartuchos de batería y cargadores listados arriba. La utilización de cualquier otro cartucho de batería y cargador puede ocasionar heridas y/o un incendio.

## Símbolos

A continuación se muestran los símbolos que pueden ser utilizados para el equipo. Asegúrese de que entiende su significado antes de utilizar.

	Preste cuidado y atención especiales.
	Lea el manual de instrucciones.
	Peligro; sea consciente de que salen objetos lanzados.
	Mantenga alejados a los transeúntes.
	Los implementos de corte siguen girando después de haber apagado el motor.
	No exponga a la humedad.
	Póngase gafas de seguridad.
	PELIGRO - Mantenga las manos alejadas de la cuchilla.



Sólo para países de la Unión Europea  
Debido a la presencia de componentes peligrosos en el equipo, el equipo eléctrico y electrónico, los acumuladores y las baterías desechados pueden tener un impacto negativo para el medioambiente y la salud humana.

¡No tire los aparatos eléctricos y electrónicos ni las baterías junto con los residuos domésticos! De conformidad con las Directivas Europeas sobre residuos de aparatos eléctricos y electrónicos y sobre acumuladores y baterías, así como la adaptación de las mismas a la ley nacional, el equipo eléctrico, las baterías y los acumuladores desechados deberán ser almacenados por separado y trasladados a un punto distinto de recogida de desechos municipales, que cumpla con los reglamentos sobre protección medioambiental.  
Esto se indica mediante el símbolo de cubo de basura tachado colocado en el equipo.



Nivel de potencia del sonido garantizado de acuerdo con la Directiva UE sobre ruido ambiental.



Nivel de potencia del sonido de acuerdo con el reglamento para el control de ruido en NSW, Australia

## Uso previsto

La herramienta ha sido prevista para recortar contornos de césped o brotes.



## Ruido

El nivel de ruido A-ponderado típico determinado de acuerdo con la norma EN50636-2-94:

### UM110D con cuchilla de tijeras para hierba instalada

Nivel de presión sonora ( $L_{pA}$ ): 70 dB (A)  
Error (K): 1,9 dB (A)

El nivel de ruido en situación de trabajo puede exceder 80 dB (A).

El nivel de ruido A-ponderado típico determinado de acuerdo con la norma EN62841-4-2:

### UM110D con cuchilla de tijeras para cortasetos instalada

Nivel de presión sonora ( $L_{pA}$ ): 70 dB(A)  
Error (K): 3 dB(A)

El nivel de ruido en situación de trabajo puede exceder 80 dB (A).

**NOTA:** El valor (o los valores) de emisión de ruido declarado ha sido medido de acuerdo con un método de prueba estándar y se puede utilizar para comparar una herramienta con otra.

**NOTA:** El valor (o valores) de emisión de ruido declarado también se puede utilizar en una valoración preliminar de exposición.

**⚠ADVERTENCIA:** Póngase protectores para oídos.

**⚠ADVERTENCIA:** La emisión de ruido durante la utilización real de la herramienta eléctrica puede variar del valor (o los valores) de emisión declarado dependiendo de las formas en las que la herramienta sea utilizada, especialmente qué tipo de pieza de trabajo se procesa.

**⚠ADVERTENCIA:** Asegúrese de identificar medidas de seguridad para proteger al operario que estén basadas en una estimación de la exposición en las condiciones reales de utilización (teniendo en cuenta todas las partes del ciclo operativo como las veces cuando la herramienta está apagada y cuando está funcionando en vacío además del tiempo de gatillo).

## Vibración

El valor total de la vibración (suma de vectores triaxiales) determinado de acuerdo con la norma EN50636-2-94:

### UM110D con cuchilla de tijeras para hierba instalada

Emisión de vibración ( $a_{h1}$ ): 2,5 m/s<sup>2</sup> o menos  
Error (K): 1,5 m/s<sup>2</sup>

El valor total de la vibración (suma de vectores triaxiales) determinado de acuerdo con la norma EN62841-4-2:

### UM110D con cuchilla de tijeras para cortasetos instalada

Emisión de vibración ( $a_{h1}$ ): 2,5 m/s<sup>2</sup> o menos  
Error (K): 1,5 m/s<sup>2</sup>

**NOTA:** El valor (o los valores) total de emisión de vibración declarado ha sido medido de acuerdo con un método de prueba estándar y se puede utilizar para comparar una herramienta con otra.

**NOTA:** El valor (o los valores) total de emisión de vibración declarado también se puede utilizar en una valoración preliminar de exposición.

**⚠ADVERTENCIA:** La emisión de vibración durante la utilización real de la herramienta eléctrica puede variar del valor (o los valores) de emisión declarado dependiendo de las formas en las que la herramienta sea utilizada, especialmente qué tipo de pieza de trabajo se procesa.

**⚠ADVERTENCIA:** Asegúrese de identificar medidas de seguridad para proteger al operario que estén basadas en una estimación de la exposición en las condiciones reales de utilización (teniendo en cuenta todas las partes del ciclo operativo como las veces cuando la herramienta está apagada y cuando está funcionando en vacío además del tiempo de gatillo).

## Declaración CE de conformidad

### Para países europeos solamente

La declaración CE de conformidad está incluida como Anexo A de esta manual de instrucciones.

## ADVERTENCIAS DE SEGURIDAD

### Advertencias de seguridad para herramientas eléctricas en general

**⚠ADVERTENCIA:** Lea todas las advertencias de seguridad, instrucciones, ilustraciones y especificaciones provistas con esta herramienta eléctrica. Si no sigue todas las instrucciones indicadas abajo podrá resultar en una descarga eléctrica, un incendio y/o heridas graves.

### Guardé todas las advertencias e instrucciones para futuras referencias.

El término "herramienta eléctrica" en las advertencias se refiere a su herramienta eléctrica de funcionamiento con conexión a la red eléctrica (con cable) o herramienta eléctrica de funcionamiento a batería (sin cable).

### Advertencias de seguridad para las tijeras inalámbricas para hierba

#### Instrucciones generales

1. Para garantizar una operación correcta, el usuario tiene que leer este manual de instrucciones para familiarizarse con el manejo del equipo. Los usuarios insuficientemente informados se pondrán en riesgo de peligro a sí mismos y a otros debido a un manejo incorrecto.

2. No permita nunca que niños, personas con capacidades físicas, sensoriales o mentales reducidas o falta de experiencia y conocimiento o personas no familiarizadas con estas instrucciones utilicen la máquina; puede que los reglamentos locales restrinjan la edad del operario.
3. Utilice el equipo con sumo cuidado y atención.
4. Maneje el equipo solamente si usted se encuentra en buena condición física. Realice todo el trabajo con calma y con cuidado. Utilice el sentido común y tenga en cuenta que el operario o usuario es el responsable de los accidentes o riesgos ocasionados a otras personas o a sus propiedades.
5. No utilice nunca la máquina cuando haya gente, especialmente niños o animales domésticos, cerca.
6. El motor ha de ser apagado inmediatamente en caso de que el equipo muestre cualquier problema o indicio anormal.
7. Apague el equipo y retire el cartucho de batería cuando descanse y cuando lo deje desatendido, y póngalo en un sitio seguro para evitar riesgos a otras personas o daños al equipo.
8. Evite utilizar la máquina en malas condiciones meteorológicas especialmente cuando haya riesgo de relámpagos.

#### Equipo de protección personal

1. Póngase protección para los ojos y zapatos robustos en todo momento mientras maneja la máquina.
2. Póngase siempre calzado robusto y pantalones largos mientras utiliza la máquina.

#### Puesta en marcha del equipo

1. Asegúrese de que no hay cerca niños u otras personas, preste atención también a cualquier animal en los alrededores de lugar de trabajo. De lo contrario, deje de utilizar el equipo.
2. Antes de la utilización compruebe siempre que el equipo se puede operar con seguridad. Compruebe la seguridad del implemento de corte y el protector y que el gatillo interruptor/palanca se acciona fácil y debidamente. Compruebe que los mangos están limpios y secos y pruebe la función de puesta en marcha/parada.
3. Compruebe las partes dañadas antes de seguir utilizando el equipo. Un protector u otra parte que esté dañada deberá ser inspeccionada cuidadosamente para determinar que funcionará debidamente y que realizará la función para la que ha sido previsto. Compruebe la alineación de las partes móviles, la unión de las partes móviles, rotura de partes, montaje, y cualquier otra condición que pueda afectar a su operación. Un protector u otra parte que esté dañada deberá ser reparada o reemplazada debidamente en nuestro centro de servicio autorizado a menos que se indique otra cosa en algún otro sitio en este manual.
4. Encienda el motor solamente cuando las manos y los pies estén alejados del implemento de corte.
5. Antes de la puesta en marcha, asegúrese de que el implemento de corte no hace contacto con ningún objeto.

#### Método de trabajo

1. Utilice el equipo solamente en buenas condiciones de iluminación y visibilidad. Durante la estación de invierno tenga cuidado con las áreas húmedas o resbaladizas, hielo y nieve (riesgo de resbalar). Asegúrese siempre de poner los pies sobre suelo seguro en pendientes y de caminar y no correr nunca.
2. Tenga cuidado de no herirse los pies o manos con el implemento de corte.
3. No se suba nunca a una escalera y ponga en marcha el equipo.
4. No se suba nunca a un árbol para realizar operaciones de corte con el equipo.
5. No trabaje nunca en superficies inestables.
6. Elimine la arena, piedras, clavos, etc., que se encuentren en el área de trabajo. Los objetos extraños pueden dañar el implemento de corte y ocasionar retrocesos bruscos peligrosos.
7. Si el implemento de corte golpea piedras u otros objetos duros, apague el motor inmediatamente e inspeccione el implemento de corte.
8. Inspeccione el implemento de corte a intervalos regulares cortos por si se ha dañado (detección de grietas finas mediante una prueba de ruido golpeando ligeramente).
9. Antes de comenzar a cortar, el implemento de corte debe haber alcanzado la velocidad de trabajo completa.
10. El implemento de corte ha de ser equipado con el protector apropiado. ¡No utilice nunca el equipo con protectores dañados o sin los protectores instalados en su sitio!
11. Todas las instalaciones protectoras y protectores suministrados con el equipo deben ser utilizados durante la operación.
12. Retire siempre el cartucho de batería del equipo:
  - siempre que deje el equipo sin atender;
  - antes de despejar un bloqueo;
  - antes de comprobar, limpiar o trabajar en el equipo;
  - después de haber golpeado un objeto extraño;
  - siempre que el equipo comience a vibrar de forma anormal.
13. Asegúrese siempre de que las aberturas de ventilación están libres de residuos.
14. Los implementos de corte siguen girando después de haber apagado el motor.
15. Si las cuchillas dejan de moverse debido al atasco de objetos extraños entre las cuchillas durante la operación, apague la herramienta y retire el cartucho de batería, y después retire los objetos extraños utilizando implementos como unos alicates. Retirar los objetos extraños con la mano puede ocasionar heridas por el hecho de que las cuchillas pueden moverse como reacción al retirar los objetos extraños.

#### Implementos de corte

Emplee solamente el implemento de corte correcto para la tarea en cuestión.

## Instrucciones de mantenimiento

1. El estado del equipo, en particular el del implemento de corte y el de los dispositivos de protección, debe ser comprobado antes de comenzar el trabajo.
2. Apague el motor y retire el cartucho de batería antes de llevar a cabo el mantenimiento, el reemplazo de implementos de corte o la limpieza del equipo o del implemento de corte.
3. Cuando no lo esté utilizando, almacene el equipo en interiores en un lugar seco y alto o cerrado con llave, fuera del alcance de los niños. Limpie y haga el mantenimiento antes de almacenar.

## GUARDE ESTAS INSTRUCCIONES.

**⚠ADVERTENCIA:** NO deje que la comodidad o familiaridad con el producto (a base de utilizarlo repetidamente) sustituya la estricta observancia de las normas de seguridad para el producto en cuestión. El MAL USO o el no seguir las normas de seguridad establecidas en este manual de instrucciones podrá ocasionar heridas personales graves.

## Advertencias de seguridad para el cortasetos inalámbrico

1. Mantenga todas las partes del cuerpo alejadas de la cuchilla. No retire el material cortado o sujete el material que va a cortar cuando las cuchillas estén moviéndose. Las cuchillas siguen moviéndose después de desactivar el interruptor. Un momento de inatención mientras está operando el cortasetos puede resultar en heridas personales graves.
2. Transporte el cortasetos agarrándolo por el mango con la cuchilla parada y teniendo cuidado de no activar ningún interruptor de alimentación. Un transporte correcto del cortasetos disminuirá el riesgo de una puesta en marcha involuntaria que podría resultar en heridas personales con las cuchillas.
3. Cuando transporte o almacene el cortasetos, coloque siempre la cubierta de las cuchillas. Un manejo correcto del cortasetos disminuirá el riesgo de heridas personales con las cuchillas.
4. Cuando retire material atascado o haga el servicio a la unidad, asegúrese de que todos los interruptores de alimentación están desactivados y la batería ha sido retirada o desconectada. Una puesta en marcha del cortasetos mientras retira material atascado o hace el servicio podrá resultar en heridas personales graves.
5. Sujete el cortasetos por las superficies de aislamiento aisladas solamente, porque la cuchilla puede entrar en contacto con cableado oculto. El contacto de las cuchillas con un cable con corriente hará que la corriente circule por las partes metálicas expuestas del cortasetos y podrá soltar una descarga eléctrica al operario.
6. Mantenga todos los cables de alimentación y otros cables alejados del área de corte. Puede haber cables de alimentación u otros cables ocultos en los setos o arbustos y la cuchilla puede cortarlos accidentalmente.

7. No utilice el cortasetos en malas condiciones meteorológicas, especialmente cuando haya riesgo de relámpagos. Esto disminuirá el riesgo de sufrir el impacto de un rayo.

## Instrucciones de seguridad adicionales

### Preparación

1. Compruebe los setos y arbustos por si tienen objetos extraños, tal como cercas alambradas o cables ocultos antes de utilizar la herramienta.
2. La herramienta no debe ser utilizada por niños o personas jóvenes de menos de 18 años de edad. Las personas jóvenes de más de 16 años de edad pueden excluirse de esta restricción si están recibiendo preparación bajo la supervisión de un experto.
3. A los primerizos, un usuario con experiencia deberá enseñarles cómo utilizar la herramienta.
4. Utilice la herramienta solamente si se encuentra en buen estado físico. Si está cansado, su atención se reducirá. Tenga cuidado especial al final de la jornada laboral. Realice todo el trabajo con calma y con cuidado. El usuario es responsable de todos los daños causados a terceros.
5. No utilice nunca la herramienta cuando esté bajo la influencia de alcohol, drogas o medicamento.
6. Los guantes de trabajo de cuero resistente son parte del equipo básico de la herramienta y se deben llevar puestos siempre que se trabaje con ella. Póngase también zapatos robustos con suelas antideslizantes.
7. Antes de comenzar el trabajo, compruebe para asegurarse de que la herramienta está en buen estado de funcionamiento y que se puede usar con seguridad. Asegúrese de que los protectores están colocados firmemente. La herramienta no debe ser utilizada a menos que esté totalmente ensamblada.

### Operación

1. Sujete la herramienta firmemente cuando la esté utilizando.
2. La herramienta ha sido prevista para ser utilizada por el operario a nivel del suelo. No utilice la herramienta en escaleras de mano ni en ningún otro apoyo inestable.
3. No se ponga simultáneamente varios arneses de cintura y/o arneses de hombro cuando utilice la herramienta.
4. PELIGRO - Mantenga las manos alejadas de la cuchilla. El contacto con la cuchilla provocará heridas personales graves.
5. No utilice la herramienta en la lluvia ni en condiciones mojadas o muy húmedas. El motor eléctrico no es a prueba de agua.
6. Asegúrese de que tiene suelo firme antes de comenzar la operación.
7. No utilice la herramienta sin carga innecesariamente.
8. Apague la herramienta inmediatamente y retire el cartucho de batería si las cuchillas de tijeras entran en contacto con una valla u otro objeto duro. Compruebe las cuchillas por si están dañadas, y si están dañadas, reemplace las cuchillas inmediatamente.

9. Antes de comprobar las cuchillas de tijeras, ocuparse de los fallos, o de retirar material enganchado en las cuchillas de tijeras, apague siempre la herramienta y retire el cartucho de batería.
10. No dirija nunca las cuchillas de tijeras hacia usted u otros.
11. Si las cuchillas dejan de moverse debido al atasco de objetos extraños entre las cuchillas durante la operación, apague la herramienta y retire el cartucho de batería, y después retire los objetos extraños utilizando implementos como unos alicates. Retirar los objetos extraños con la mano puede ocasionar heridas por el hecho de que las cuchillas pueden moverse como reacción al retirar los objetos extraños.
12. Evite los entornos peligrosos. No utilice la herramienta en lugares húmedos o mojados ni la esponja a la lluvia. La entrada de agua en la herramienta aumentará el riesgo de que se produzca una descarga eléctrica.

#### Mantenimiento y almacenamiento

1. Apague la herramienta y retire el cartucho de batería antes de realizar cualquier trabajo de mantenimiento.
2. Cuando mueva la herramienta a otro lugar, incluyendo durante el trabajo, retire siempre el cartucho de batería y ponga la cubierta de las cuchillas en las cuchillas de tijeras. No transporte ni traslade nunca la herramienta con las cuchillas en movimiento. No agarre nunca las cuchillas con las manos.
3. Limpie la herramienta y especialmente las cuchillas de tijeras después de la utilización, y antes de almacenar la herramienta durante periodos prolongados. Enaceite ligeramente las cuchillas y ponga la cubierta de las cuchillas.
4. Almacene la herramienta con la cubierta de las cuchillas puesta, en un cuarto seco. Manténgalo alejado del alcance de los niños. No almacene nunca la herramienta en exteriores.
5. No deseché la batería(s) arrojándola al fuego. La célula puede explotar. Compruebe los códigos locales por si hay instrucciones para el posible desecho especial.
6. No abra o mutile la batería(s). El electrolito liberado es corrosivo y puede ocasionar daño a los ojos o la piel. Puede ser tóxico si se traga.
7. No cargue la batería bajo la lluvia, o en lugares mojados.

## GUARDE ESTAS INSTRUCCIONES.

**⚠ ADVERTENCIA:** NO deje que la comodidad o familiaridad con el producto (a base de utilizarlo repetidamente) sustituya la estricta observancia de las normas de seguridad para el producto en cuestión. El MAL USO o el no seguir las normas de seguridad establecidas en este manual de instrucciones podrá ocasionar heridas personales graves.

## Instrucciones de seguridad importantes para el cartucho de batería

1. Antes de utilizar el cartucho de batería, lea todas las instrucciones e indicaciones de precaución sobre (1) el cargador de baterías, (2) la batería, y (3) el producto con el que se utiliza la batería.
2. No desensamble ni manipule el cartucho de batería. Podrá resultar en un incendio, calor excesivo, o una explosión.
3. Si el tiempo de uso se acorta demasiado, cese la operación inmediatamente. Podría resultar en un riesgo de recalentamiento, posibles quemaduras e incluso una explosión.
4. Si entra electrólito en sus ojos, aclárelos con agua limpia y acuda a un médico inmediatamente. Existe el riesgo de poder perder la vista.

5. No cortocircuite el cartucho de batería:
  - (1) No toque los terminales con ningún material conductor.
  - (2) Evite guardar el cartucho de batería en un cajón junto con otros objetos metálicos, como clavos, monedas, etc.
  - (3) No exponga el cartucho de batería al agua ni a la lluvia.

Un cortocircuito en la batería puede producir una gran circulación de corriente, un recalentamiento, posibles quemaduras e incluso una rotura de la misma.

6. No guarde ni utilice la herramienta y el cartucho de batería en lugares donde la temperatura pueda alcanzar o exceder los 50 °C.
7. Nunca incinere el cartucho de batería incluso en el caso de que esté dañado seriamente o ya no sirva en absoluto. El cartucho de batería puede explotar si se tira al fuego.
8. No clave, corte, aplaste, lance, deje caer el cartucho de batería, ni golpee contra un objeto duro el cartucho de batería. Tal conducta podrá resultar en un incendio, calor excesivo, o una explosión.
9. No utilice una batería dañada.

10. Las baterías de litio-ion contenidas están sujetas a los requisitos de la Legislación para Materiales Peligrosos.

Para transportes comerciales, p.ej., por terceras personas y agentes de transportes, se deberán observar requisitos especiales para el empaquetado y etiquetado.

Para la preparación del artículo que se va a enviar, se requiere consultar con un experto en materiales peligrosos. Por favor, observe también la posibilidad de reglamentos nacionales más detallados.

Cubra con cinta aislante o enmascare los contactos expuestos y empaquete la batería de tal manera que no se pueda mover alrededor dentro del embalaje.

11. Para desechar el cartucho de batería, retírelo de la herramienta y deséchelo en un lugar seguro. Siga los reglamentos locales referentes al desecho de la batería.
12. Utilice las baterías solamente con los productos especificados por Makita. La instalación de las baterías en productos no compatibles puede resultar en un incendio, calor excesivo, explosión, o fuga de electrolito.
13. Si la herramienta no va a ser utilizada durante un periodo de tiempo largo, la batería deberá ser retirada de la herramienta.
14. Durante y después de la utilización, el cartucho de batería podrá acumular calor, lo cual puede ocasionar quemaduras o quemaduras de baja temperatura. Preste atención al manejo de cartuchos de batería calientes.
15. No toque el terminal de la herramienta inmediatamente después de utilizar, dado que puede calentarse lo suficiente como para ocasionar quemaduras.
16. No permita que virutas, polvo, o tierra se adhieran dentro de los terminales, orificios, y ranuras del cartucho de batería. Podría resultar en un mal rendimiento o rotura de la herramienta o el cartucho de batería.
17. A menos que la herramienta pueda utilizarse cerca de cables eléctricos de alta tensión, no utilice el cartucho de batería cerca de cables eléctricos de alta tensión. Podrá resultar en un mal funcionamiento o rotura de la herramienta o el cartucho de batería.
18. Mantenga la batería alejada de los niños.

## GUARDE ESTAS INSTRUCCIONES.

**⚠PRECAUCIÓN:** Utilice solamente baterías genuinas de Makita. La utilización de baterías no genuinas de Makita, o baterías que han sido alteradas, puede resultar en una explosión de la batería ocasionando incendios, heridas personales y daños. También anulará la garantía de Makita para la herramienta y el cargador de Makita.

## Consejos para alargar al máximo la vida de servicio de la batería

1. Cargue el cartucho de batería antes de que se descargue completamente. Detenga siempre la operación y cargue el cartucho de batería cuando note menos potencia en la herramienta.
2. No cargue nunca un cartucho de batería que esté completamente cargado. La sobrecarga acortará la vida de servicio de la batería.
3. Cargue el cartucho de batería a temperatura ambiente de 10 °C - 40 °C. Si un cartucho de batería está caliente, déjelo enfriar antes de cargarlo.
4. Cuando no esté utilizando el cartucho de batería, retírelo de la herramienta o del cargador.
5. Cargue el cartucho de batería si no lo utiliza durante un periodo de tiempo prolongado (más de seis meses).

## DESCRIPCIÓN DEL FUNCIONAMIENTO

**⚠PRECAUCIÓN:** Asegúrese siempre de que la herramienta está apagada y el cartucho de batería retirado antes de realizar cualquier ajuste o comprobación en la herramienta.

## Utilización de la herramienta como cortasetos inalámbrico

Esta herramienta se puede utilizar como cortasetos inalámbrico instalando las cuchillas de tijeras para cortasetos.

## Instalación o extracción del cartucho de batería

**⚠PRECAUCIÓN:** Apague siempre la herramienta antes de instalar o retirar el cartucho de batería.

**⚠PRECAUCIÓN:** Sujete la herramienta y el cartucho de batería firmemente cuando instale o retire el cartucho de batería. Si no sujeta la herramienta y el cartucho de batería firmemente podrán caérsele de las manos y resultar en daños a la herramienta y al cartucho de batería y heridas personales.

► Fig. 1: 1. Indicador rojo 2. Botón 3. Cartucho de batería

Para retirar el cartucho de batería, deslícelo de la herramienta mientras desliza el botón de la parte frontal del cartucho.

Para instalar el cartucho de batería, alinee la lengüeta del cartucho de batería con la ranura del alojamiento y deslícelo al interior hasta encajarlo en su sitio. Insértelo por completo hasta que se bloquee en su sitio con un pequeño chasquido. Si puede ver el indicador rojo como se muestra en la figura, no estará bloqueado completamente.

**⚠PRECAUCIÓN:** Instale siempre el cartucho de batería completamente hasta que no pueda verse el indicador rojo. En caso contrario, podrá caerse accidentalmente de la herramienta y ocasionarle heridas a usted o a alguien que esté cerca de usted.

**⚠PRECAUCIÓN:** No instale el cartucho de batería empleando fuerza. Si el cartucho no se desliza al interior fácilmente, será porque no está siendo insertado correctamente.

## Sistema de protección de la herramienta / batería

La herramienta está equipada con un sistema de protección de la herramienta/batería. Este sistema corta automáticamente la alimentación al motor para alargar la vida de servicio de la herramienta y la batería. La herramienta se detendrá automáticamente durante la operación si la herramienta o la batería es puesta en una de las condiciones siguientes:

### Protección contra sobrecarga

Cuando la batería sea operada de una manera que le haga absorber una corriente anormalmente alta, la herramienta se detendrá automáticamente. En esta situación, apague la herramienta y detenga la aplicación que ocasiona que la herramienta se sobrecargue. Después encienda la herramienta para volver a empezar.

### Protección contra el recalentamiento

Cuando la batería se recalienta, la herramienta se detiene automáticamente. En este caso, deje que la herramienta y la batería se enfríen antes de encender la herramienta otra vez.

### Protección contra descarga excesiva

Cuando la capacidad de batería no es suficiente, la herramienta se detiene automáticamente. Si enciende la herramienta, el motor se pondrá en marcha otra vez pero se parará en seguida. En este caso, retire la batería de la herramienta y cargue la batería.

## Accionamiento del interruptor

**⚠️ ADVERTENCIA:** Antes de insertar el cartucho de batería en la herramienta, compruebe siempre para cerciorarse de que el gatillo interruptor se acciona debidamente y que vuelve a la posición "OFF" cuando lo suelta.

**⚠️ ADVERTENCIA:** Por su propia seguridad, esta herramienta está equipada con el botón de desbloqueo que evita que la herramienta sea puesta en marcha involuntariamente. No utilice nunca la herramienta si se pone en marcha cuando usted aprieta el gatillo interruptor sin presionar el botón de desbloqueo. Pida a su centro de servicio local de Makita que le hagan las reparaciones.

**⚠️ ADVERTENCIA:** No inhabilite nunca la función de bloqueo o sujete apretado con cinta adhesiva el botón de desbloqueo.

**AVISO:** No apriete con fuerza el gatillo interruptor sin presionar el botón de desbloqueo. El interruptor podrá romperse.

► Fig.2: 1. Gatillo interruptor 2. Botón de desbloqueo

Para evitar que el gatillo interruptor pueda ser apretado accidentalmente, se ha provisto un botón de desbloqueo. Para poner en marcha la herramienta, presione hacia dentro el botón de desbloqueo y apriete el gatillo interruptor. Suelte el gatillo interruptor para parar. El botón de desbloqueo se puede presionar desde el lado derecho o desde el lado izquierdo.

## Lámpara de indicación

La lámpara de indicación parpadea o se ilumina cuando la capacidad de batería restante es baja o está agotada. La lámpara de indicación también se ilumina cuando la herramienta está sobrecargada.

► Fig.3: 1. Lámpara de indicación

### Estado de la lámpara y acción a tomar

Lámpara de indicación	Estado	Acción a tomar
La lámpara parpadea en rojo.	La capacidad de batería restante es baja.	Cargue la batería.
La lámpara se ilumina en rojo. *	La herramienta se ha parado porque la capacidad de batería restante está agotada.	Cargue la batería.
	La herramienta se ha parado debido a una sobrecarga.	Apague la herramienta.

\* El momento en el que la lámpara de indicación se ilumina varía dependiendo de la temperatura alrededor del área de trabajo y las condiciones del cartucho de batería.

## Ajuste de la altura de recorte (para tijeras para hierba)

### Accesorio opcional

**⚠️ PRECAUCIÓN:** Cuando cambie la altura de recorte, asegúrese de colocar la cubierta de las cuchillas y tenga cuidado de no pillarse los dedos entre la herramienta y el receptor de hierba.

La altura de recorte se puede ajustar en tres niveles (15 mm, 20 mm, y 25 mm) cambiando la posición fijada del receptor de hierba. La altura de recorte sin el receptor de hierba es de unos 10 mm.

1. Deslice el receptor de hierba hacia el lado frontal de la herramienta.

► Fig.4: 1. Receptor de hierba

2. Cambie la posición fijada del receptor de hierba moviéndolo en la dirección de la flecha.

► Fig.5

**NOTA:** El valor de la altura de recorte es a modo de guía. La altura de recorte actual puede variar dependiendo de la condición del césped o el suelo.

**NOTA:** Haga un recorte de prueba en un lugar menos notorio para obtener la altura deseada.

## MONTAJE

**⚠ PRECAUCIÓN:** Asegúrese siempre de que la herramienta está apagada y el cartucho de batería retirado antes de realizar cualquier trabajo en la herramienta.

**⚠ PRECAUCIÓN:** Cuando reemplace las cuchillas de tijeras, póngase siempre guantes y coloque la cubierta de las cuchillas de forma que sus manos y cara no entren en contacto directo con las cuchillas.

**AVISO:** Cuando reemplace las cuchillas de tijeras, no limpie la grasa del engranaje y el cigüeñal.

## Instalación o desmontaje de la cubierta de las cuchillas

**⚠ PRECAUCIÓN:** Tenga cuidado de no tocar las cuchillas cuando instale o desmonte la cubierta de las cuchillas.

Para retirar la cubierta de las cuchillas, tire de ella ligeramente, y después deslícela hacia los costados. Para instalar la cubierta de las cuchillas, realice los pasos a la inversa.

► Fig.6

## Instalación o desmontaje del recibidor de hierba

### Accesorio opcional

**⚠ PRECAUCIÓN:** Cuando instale o retire el recibidor de hierba, asegúrese de colocar la cubierta de las cuchillas y tenga cuidado de no pillarse los dedos entre la herramienta y el recibidor de hierba.

## Instalación del recibidor de hierba

1. Enganche el gozne del recibidor de hierba en la acanaladura de la herramienta.

► Fig.7: 1. Gozne 2. Recibidor de hierba

2. Alinee las protuberancias del recibidor de hierba con las acanaladuras de la herramienta deslizando el recibidor de hierba hacia el lado frontal de la herramienta y moviéndolo en la dirección de la flecha.

► Fig.8

**AVISO:** No coloque el gozne del recibidor de hierba en la herramienta con fuerza después de alinear las protuberancias del recibidor de hierba con las acanaladuras de la herramienta.

## Desmontaje del recibidor de hierba

1. Libere las protuberancias del recibidor de hierba de las acanaladuras de la herramienta mientras desliza el recibidor de hierba hacia el lado frontal de la herramienta.

► Fig.9: 1. Recibidor de hierba

2. Libere el gozne del recibidor de hierba de la herramienta.



## Instalación o desmontaje de las cuchillas de tijeras para tijeras para hierba

**AVISO:** Si hay otras piezas desgastadas aparte de las cuchillas de tijeras tales como el cigüeñal, pregunte en centros de servicio autorizados de Makita por las piezas de repuesto o reparaciones.

## Desmontaje de las cuchillas de tijeras

1. Retire el recibidor de hierba si está instalado. Coloque la herramienta cabeza abajo.

► Fig.10

2. Mientras presiona la palanca de bloqueo, gire la cubierta inferior hacia la izquierda hasta que  de la cubierta inferior quede alineado con  de la palanca de bloqueo.

► Fig.11: 1. Cubierta inferior 2. Palanca de bloqueo

3. Retire la cubierta inferior, cuchillas de tijeras, y cigüeñal.

► Fig.12: 1. Cubierta inferior 2. Cuchillas de tijeras 3. Cigüeñal

## Instalación de las cuchillas de tijeras

1. Prepare el cigüeñal, cubierta inferior, y cuchillas de tijeras nuevas.

► Fig.13: 1. Cigüeñal 2. Cubierta inferior 3. Cuchillas de tijeras

2. Retire la cubierta de las cuchillas de las cuchillas de tijeras viejas, y después colóquela en las nuevas.

► Fig.14: 1. Cubierta de las cuchillas

3. Ajuste los tres pasadores de forma que queden alineados en la línea de alineación.

► Fig.15: 1. Línea de alineación

4. Aplique una pequeña cantidad de grasa al perímetro del cigüeñal. Coloque el cigüeñal en los pasadores con los círculos pequeño y grande orientados hacia arriba.

► Fig.16: 1. Cigüeñal


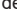
5. Ajuste las cuchillas y la placa guía de forma que el agujero de la placa guía y las dos protuberancias de las cuchillas queden alineados.

► Fig.17: 1. Placa guía



6. Ponga las cuchillas de tijeras cabeza abajo e insértelas de forma que los pasadores de la herramienta encajen en el agujero de la placa guía. Asegúrese de que las cuchillas de tijeras están sujetadas firmemente en su sitio.

► Fig.18: 1. Placa guía

**NOTA:** Si desliza ligeramente hacia delante la cubierta de las cuchillas le resultará más fácil instalar las cuchillas de tijeras.

7. Coloque la cubierta inferior de forma que  de la cubierta inferior quede alineado con  de la palanca de bloqueo.

► Fig.19: 1. Cubierta inferior 2. Palanca de bloqueo

8. Mientras presiona la cubierta inferior, gírela hacia la derecha hasta que  de la cubierta inferior quede alineado con  de la palanca de bloqueo.

► **Fig.20:** 1. Cubierta inferior 2. Palanca de bloqueo

9. Asegúrese de que la palanca de bloqueo encaja en la acanaladura de la cubierta inferior.

► **Fig.21:** 1. Palanca de bloqueo

**PRECAUCIÓN:** No utilice nunca la herramienta sin haber instalado la cubierta inferior.

10. Retire la cubierta de las cuchillas, y después encienda la herramienta para comprobar que funciona debidamente.

**AVISO:** Si las cuchillas de tijeras no funcionan debidamente, las cuchillas no estarán acoplado el cigüeñal debidamente. Retire las cuchillas e instálelas otra vez.

## Instalación o desmontaje de las cuchillas de tijeras para cortasetos



**PRECAUCIÓN:** Coloque la cubierta de las cuchillas antes de retirar o instalar las cuchillas de tijeras.

**AVISO:** Si hay otras piezas desgastadas aparte de las cuchillas de tijeras tales como el cigüeñal, pregunte en centros de servicio autorizados de Makita por las piezas de repuesto o reparaciones.

## Desmontaje de las cuchillas de tijeras

1. Coloque la herramienta cabeza abajo.

► **Fig.22**

2. Mientras presiona la palanca de bloqueo, gire la cubierta inferior hacia la izquierda hasta que  de la cubierta inferior quede alineado con  de la palanca de bloqueo.

► **Fig.23:** 1. Palanca de bloqueo 2. Cubierta inferior

3. Retire la cubierta inferior.

► **Fig.24:** 1. Cubierta inferior

4. Afloje los dos tornillos con un destornillador y retire las cuchillas de tijeras.

► **Fig.25:** 1. Tornillos

**NOTA:** Las cuchillas de tijeras se pueden retirar sin retirar los tornillos.

5. Retire el cigüeñal de las cuchillas de tijeras.

► **Fig.26:** 1. Cigüeñal

**NOTA:** El cigüeñal puede permanecer en la herramienta.

**NOTA:** Coloque la cubierta de las cuchillas y el estuche de almacenamiento en las cuchillas de tijeras retiradas, y después almacene las cuchillas.

## Instalación de las cuchillas de tijeras

1. Prepare el cigüeñal, la cubierta inferior, y las cuchillas de tijeras nuevas.

► **Fig.27:** 1. Cigüeñal 2. Cubierta inferior 3. Cuchillas de tijeras

2. Coloque la cubierta de las cuchillas en las cuchillas de tijeras.

► **Fig.28:** 1. Cubierta de las cuchillas

3. Ajuste los tres pasadores de forma que queden alineados en la línea de alineación.

► **Fig.29:** 1. Línea de alineación

4. Aplique una pequeña cantidad de grasa al perímetro del cigüeñal. Coloque el cigüeñal en los pasadores con sus círculos pequeño y grande orientados hacia abajo.

► **Fig.30:** 1. Cigüeñal

5. Deslice las cuchillas de tijeras de forma que el agujero de la placa guía quede posicionado en el centro de los anillos de las cuchillas.

► **Fig.31:** 1. Placa guía



6. Ponga las cuchillas de tijeras cabeza abajo e instálelas de forma que el pasador de la herramienta encaje en el agujero de las cuchillas de tijeras. Inserte la pinza de la placa guía en la acanaladura de la herramienta. Asegúrese de que las cuchillas de tijeras están sujetadas firmemente en su sitio.

► **Fig.32:** 1. Pinza 2. Placa guía



**NOTA:** Si desliza ligeramente hacia delante la cubierta de las cuchillas le resultará más fácil instalar las cuchillas de tijeras.

7. Apriete los dos tornillos firmemente con un destornillador.

► **Fig.33:** 1. Tornillos

8. Coloque la cubierta inferior de forma que  de la cubierta inferior quede alineado con  de la palanca de bloqueo.

► **Fig.34:** 1. Palanca de bloqueo 2. Cubierta inferior

9. Mientras presiona la cubierta inferior, gírela hacia la derecha hasta que  de la cubierta inferior quede alineado con  de la palanca de bloqueo.

► **Fig.35:** 1. Cubierta inferior

10. Asegúrese de que la palanca de bloqueo encaja en la acanaladura de la cubierta inferior.

► **Fig.36:** 1. Palanca de bloqueo

**PRECAUCIÓN:** No utilice nunca la herramienta sin haber instalado la cubierta inferior.

11. Retire la cubierta de las cuchillas, y después encienda la herramienta para ver si funciona debidamente.

**AVISO:** Si las cuchillas de tijeras no funcionan debidamente, las cuchillas no estarán acoplado el cigüeñal debidamente. Retire las cuchillas e instálelas otra vez.



## Instalación o desmontaje del receptor de virutas

### Accesorio opcional

**⚠PRECAUCIÓN:** Cuando instale o retire el receptor de virutas, póngase siempre guantes y coloque la cubierta de las cuchillas de forma que sus manos y cara no entren en contacto directo con las cuchillas.

El receptor de virutas recoge las hojas descartadas y hace que la limpieza después sea mucho más fácil. Se puede instalar en cualquiera de los lados de la herramienta.

Para instalar el receptor de virutas, presiónelo contra las cuchillas de tijeras de forma que los ganchos encajen en los agujeros de las cuchillas de tijeras.

► **Fig.37:** 1. Ganchos 2. Agujeros

Para retirar el receptor de virutas, presione las palancas de ambos lados para liberar los ganchos.

► **Fig.38:** 1. Palancas

**AVISO:** No intente nunca retirar el receptor de virutas haciendo fuerza excesiva con los ganchos bloqueados en los agujeros de las cuchillas.

## OPERACIÓN

**⚠ADVERTENCIA:** Antes de recortar, retire los palos y piedras del área de recorte. Además, retire de antemano cualquier maleza del área de recorte.

► **Fig.39**

**⚠ADVERTENCIA:** Mantenga las manos alejadas de las cuchillas.

**⚠PRECAUCIÓN:** Evite operar la herramienta en tiempo muy cálido tanto como sea práctico. Cuando utilice la herramienta, tenga cuidado de su condición física.

### Recorte (para tijeras para hierba)

Encienda la herramienta después de ajustar la altura de recorte y sujétela de forma que la parte inferior de la herramienta descansa en el suelo. Mueva la herramienta hacia adelante suavemente.

► **Fig.40**

Cuando recorte alrededor de bordillos, vallas o árboles, mueva la herramienta a lo largo de ellos. Tenga cuidado de que las cuchillas no entren en contacto con ellos.

► **Fig.41**

Cuando recorte brotes o follaje, de un árbol pequeño, recorte poco a poco.

► **Fig.42**

Recorte las ramas grandes a la altura deseada utilizando cortadores de ramas antes de utilizar esta herramienta.

**AVISO:** No utilice la herramienta de forma que ocasione que el motor se pare o que gire extremadamente despacio.

**AVISO:** No intente cortar ramas gruesas.

**AVISO:** No permita que las cuchillas de tijeras toquen el suelo durante la operación. Las cuchillas se embotarán, ocasionando un mal rendimiento.

**AVISO:** No recorte hierba o follaje mojado de árboles pequeños.

### Corte de césped largo

No intente cortar césped largo todo de una vez. En su lugar, corte el césped en varios pasos. Deje un día o dos entre los cortes, hasta que el césped esté uniformemente corto.

► **Fig.43**

**NOTA:** El cortar hierba larga a una longitud corta todo de una vez puede ocasionar que la hierba se muera.

### Recorte (para cortasetos)

**⚠PRECAUCIÓN:** Tenga cuidado de no hacer contacto accidental con una valla de metal u otros objetos duros mientras recorta. Las cuchillas podrán romperse y ocasionar heridas.

**⚠PRECAUCIÓN:** Tenga cuidado de no permitir que las cuchillas de tijeras entren en contacto con el suelo. La herramienta podrá recular y ocasionar heridas.

**⚠PRECAUCIÓN:** Recortar con un cortasetos donde no se alcanza, particularmente desde una escalera, es extremadamente peligroso. No trabaje mientras está subido en cualquier cosa tambaleante o inestable.

**AVISO:** No intente cortar ramas más gruesas de 10 mm de diámetro con la herramienta. Corte las ramas a 10 cm por debajo de la altura de corte utilizando cortadores de ramas antes de utilizar la herramienta.

► **Fig.44:** (1) Altura de corte (2) 10 cm

**AVISO:** No tale árboles muertos u objetos duros similares. Si lo hace podrá dañar la herramienta.

**AVISO:** No recorte hierba o maleza mientras utiliza las cuchillas de tijeras. Las cuchillas podrán enredarse en la hierba o maleza.

Sujete la herramienta con una mano, apriete el gatillo interruptor mientras presiona el botón de desbloqueo, y después muévela hacia adelante.

► **Fig.45**

Para operación básica, incline las cuchillas hacia la dirección de recorte y muévela con calma y despacio a una velocidad de 3 a 4 segundos por metro.

► **Fig.46**

El atar una cuerda a la altura deseada y recortar a lo largo de ella ayudará a cortar la copa de un seto uniformemente.

► Fig.47

Si el recibidor de virutas está colocado en las cuchillas, recogerá las hojas descartadas y hará que la limpieza después sea mucho más fácil.

Para cortar el costado de un seto uniformemente, corte desde abajo hacia arriba.

► Fig.48

Cuando recorte para hacer una forma redonda (recorte de boj o rododendro, etc.), recorte desde la raíz hacia la parte superior para obtener un bonito acabado.

► Fig.49

## MANTENIMIENTO

**⚠PRECAUCIÓN:** Asegúrese siempre de que la herramienta está apagada y de que el cartucho de batería está retirado antes de intentar hacer una inspección o mantenimiento.

Para mantener la SEGURIDAD y FIABILIDAD del producto, las reparaciones, y cualquier otra tarea de mantenimiento o ajuste deberán ser realizadas en centros de servicio o de fábrica autorizados por Makita, empleando siempre repuestos Makita.

### Limpieza de la herramienta

Limpie la herramienta quitando el polvo con un paño seco o uno sumergido en agua jabonosa y escurrido.

**AVISO:** No utilice nunca gasolina, bencina, disolvente, alcohol o similares. Podría producir descoloración, deformación o grietas.

### Mantenimiento de las cuchillas

Antes de la operación o una vez por hora durante la operación, aplique aceite de baja viscosidad (aceite para máquinas, o aceite de lubricación de tipo aerosol) a las cuchillas.

► Fig.50

► Fig.51

Después de la operación, retire el polvo de ambas caras de las cuchillas con un cepillo de alambres, limpie las cuchillas con un paño y después aplique aceite de baja viscosidad (aceite para máquinas, o aceite de lubricación de tipo aerosol) a las cuchillas.

► Fig.52

► Fig.53

**AVISO:** No lave las cuchillas en agua. Si lo hace podrá ocasionar oxidación o daño a la herramienta.

**AVISO:** La suciedad y la corrosión ocasionan una fricción excesiva de la cuchilla y acortan el tiempo de operación por cada carga de batería.

## Almacenamiento

El agujero para gancho en la parte inferior de la herramienta resulta útil para colgar la herramienta en un clavo o tornillo en la pared.

Coloque la cubierta de las cuchillas en las cuchillas de tijeras de forma que las cuchillas no queden expuestas. Guarde la herramienta alejada del alcance de los niños. Guarde la herramienta en un lugar no expuesto a la humedad o la lluvia.

► Fig.54: 1. Agujero

► Fig.55: 1. Agujero

## ACCESORIOS OPCIONALES

**⚠PRECAUCIÓN:** Estos accesorios o aditamentos están recomendados para su uso con la herramienta Makita especificada en este manual. El uso de cualquier otro accesorio o aditamento puede suponer un riesgo de heridas personales. Utilice el accesorio o aditamento solamente con la finalidad indicada para el mismo.

Si necesita cualquier ayuda para más detalles en relación con estos accesorios, pregunte al centro de servicio Makita local.

- Conjunto de cuchilla de tijeras (para utilización de tijeras para hierba)
- Cubierta de las cuchillas de tijeras (para utilización de tijeras para hierba)
- Recibidor de hierba (para utilización de tijeras para hierba)
- Accesorio de mango largo (para utilización de tijeras para hierba)
- Conjunto de cuchilla de tijeras (para utilización de cortasetos)
- Cubierta de las cuchillas de tijeras (para utilización de cortasetos)
- Recibidor de virutas (para utilización de cortasetos)
- Estuche de almacenamiento
- Batería y cargador genuinos de Makita

**NOTA:** Algunos elementos de la lista podrán estar incluidos en el paquete de la herramienta como accesorios estándar. Pueden variar de un país a otro.

## ESPECIFICAÇÕES

<b>Modelo:</b>		<b>UM110D</b>
Largura de corte		110 mm
Cursos por minuto		2.500 min <sup>-1</sup>
Número de peça das lâminas de corte de substituição	Tesoura para grama	191N23-4, 195267-4
	Aparador de cerca viva	191N24-2, 198408-1
Dimensões (C x L x A)		331 mm x 120 mm x 130 mm
Tensão nominal		C.C. 18 V
Peso líquido		1,4 kg - 1,5 kg

- Devido a um programa contínuo de pesquisa e desenvolvimento, estas especificações estão sujeitas a alteração sem aviso prévio.
- As especificações e a bateria podem variar de país para país.
- O peso poderá diferir em função do acessório(s), incluindo a bateria. A combinação mais leve e mais pesada, de acordo com o Procedimento EPTA 01/2014, é apresentada na tabela.

### Bateria e carregador aplicável










Bateria	BL1813G / BL1815G
Carregador	DC18WA

- Algumas das baterias e carregadores listados acima poderão não estar disponíveis, dependendo da sua região de residência.

**AVISO:** Utilize apenas as baterias e carregadores listados acima. A utilização de quaisquer outras baterias e carregadores pode causar ferimentos e/ou um incêndio.

### Símbolos

A seguir são apresentados os símbolos que podem ser utilizados para o equipamento. Certifique-se de que compreende o seu significado antes da utilização.

	Tenha especial cuidado e atenção.
	Leia o manual de instruções.
	Perigo; cuidado com os objetos arremessados.
	Mantenha os espetadores afastados.
	Os elementos cortantes continuam a funcionar depois de o motor ser desligado.
	Não exponha à humidade.
	Use óculos de segurança.
	Use óculos de segurança.
	PERIGO - Mantenha as mãos afastadas da lâmina.



Apenas para países da UE  
Devido à presença de componentes perigosos no equipamento, os resíduos de equipamentos elétricos e eletrónicos, acumuladores e baterias podem ter um impacto negativo no meio ambiente e na saúde humana.

Não elimine aparelhos elétricos e eletrónicos ou baterias juntamente com resíduos domésticos!

De acordo com a Diretiva europeia relativa aos resíduos de equipamentos elétricos e eletrónicos, acumuladores e baterias, bem como a respetiva adaptação à legislação nacional, os resíduos de equipamentos elétricos e eletrónicos, acumuladores e baterias devem ser armazenados separadamente e entregues num ponto de recolha separado para resíduos municipais, que opere de acordo com os regulamentos de proteção ambiental.

Tal é indicado pelo símbolo de contendor de lixo com rodas barrado com uma cruz colocado no equipamento.



Nível de potência sonora garantido de acordo com a Diretiva de ruído ambiente da UE.



Nível de potência sonora de acordo com o Regulamento de controlo do ruído de NSW da Austrália

### Utilização a que se destina

A ferramenta destina-se ao corte de bordos de relvados ou rebentos.

## Ruído

A característica do nível de ruído A determinado de acordo com a EN50636-2-94:

### UM110D com lâmina de corte para tesoura para grama instalada

Nível de pressão acústica ( $L_{pA}$ ): 70 dB (A)  
Variabilidade (K): 1,9 dB (A)

O nível de ruído durante o funcionamento pode exceder 80 dB (A).

A característica do nível de ruído A determinado de acordo com a EN62841-4-2:

### UM110D com lâmina de corte para aparador de cerca viva instalada

Nível de pressão acústica ( $L_{pA}$ ): 70 dB(A)  
Variabilidade (K): 3 dB(A)

O nível de ruído durante o funcionamento pode exceder 80 dB (A).

**NOTA:** O(s) valor(es) da emissão de ruído indicado(s) foi medido de acordo com um método de teste padrão e pode ser utilizado para comparar duas ferramentas.

**NOTA:** O(s) valor(es) da emissão de ruído indicado(s) pode também ser utilizado na avaliação preliminar da exposição.

**AVISO:** Utilize protetores auriculares.

**AVISO:** A emissão de ruído durante a utilização real da ferramenta elétrica pode diferir do(s) valor(es) indicado(s), dependendo das formas como a ferramenta é utilizada, especialmente o tipo de peça de trabalho que é processada.

**AVISO:** Certifique-se de identificar as medidas de segurança para proteção do operador que sejam baseadas em uma estimativa de exposição em condições reais de utilização (considerando todas as partes do ciclo de operação, tal como quando a ferramenta está desligada e quando está a funcionar em marcha lenta além do tempo de acionamento).

## Vibração

Valor total da vibração (soma vetorial tri-axial) determinado de acordo com a EN50636-2-94:

### UM110D com lâmina de corte para tesoura para grama instalada

Emissão de vibração ( $a_h$ ): 2,5 m/s<sup>2</sup> ou menos  
Variabilidade (K): 1,5 m/s<sup>2</sup>

Valor total da vibração (soma vetorial tri-axial) determinado de acordo com a EN62841-4-2:

### UM110D com lâmina de corte para aparador de cerca viva instalada

Emissão de vibração ( $a_h$ ): 2,5 m/s<sup>2</sup> ou menos  
Variabilidade (K): 1,5 m/s<sup>2</sup>

**NOTA:** O(s) valor(es) total(ais) de vibração indicado(s) foi medido de acordo com um método de teste padrão e pode ser utilizado para comparar duas ferramentas.

**NOTA:** O(s) valor(es) total(ais) de vibração indicado(s) pode também ser utilizado na avaliação preliminar da exposição.

**AVISO:** A emissão de vibração durante a utilização real da ferramenta elétrica pode diferir do(s) valor(es) indicado(s), dependendo das formas como a ferramenta é utilizada, especialmente o tipo de peça de trabalho que é processada.

**AVISO:** Certifique-se de identificar as medidas de segurança para proteção do operador que sejam baseadas em uma estimativa de exposição em condições reais de utilização (considerando todas as partes do ciclo de operação, tal como quando a ferramenta está desligada e quando está a funcionar em marcha lenta além do tempo de acionamento).

## Declaração de conformidade da CE

### Apenas para os países europeus

A declaração de conformidade da CE está incluída como Anexo A neste manual de instruções.

## AVISOS DE SEGURANÇA

### Avisos gerais de segurança para ferramentas elétricas

**AVISO:** Leia todos os avisos de segurança, instruções, ilustrações e especificações fornecidos com esta ferramenta elétrica. O não cumprimento de todas as instruções indicadas em baixo pode resultar em choque elétrico, incêndio e/ou ferimentos graves.

### Guarde todos os avisos e instruções para futuras referências.

O termo "ferramenta elétrica" nos avisos refere-se às ferramentas elétricas ligadas à corrente elétrica (com cabo) ou às ferramentas elétricas operadas por meio de bateria (sem cabo).

### Avisos de Segurança para a Tesoura para Grama a Bateria

#### Instruções gerais

1. **Para assegurar o funcionamento correto, o utilizador tem de ler o presente manual de instruções para se familiarizar com o manuseamento do equipamento.** Os utilizadores insufficientemente informados colocam-se em perigo a si próprios e aos outros devido ao manuseamento inadequado da ferramenta.
2. **Nunca permita que crianças, pessoas com capacidades físicas, sensoriais ou mentais reduzidas ou com falta de experiência e conhecimento ou pessoas não familiarizadas com estas instruções utilizem a máquina; os regulamentos locais poderão limitar a idade do operador.**
3. **Utilize o equipamento com o máximo de cuidado e atenção.**

4. Opere o equipamento apenas se estiver em boas condições físicas. Realize todo o trabalho com calma e cuidado. Utilize o senso comum e tenha em mente que o operador ou utilizador é responsável por acidentes ou perigos que ocorram a outras pessoas ou à respetiva propriedade.
5. Nunca opere a máquina enquanto outras pessoas, especialmente crianças, ou animais estão por perto.
6. O motor deve ser desligado imediatamente se o equipamento apresentar qualquer problema ou sinais de funcionamento invulgar.
7. Desligue e remova a bateria quando repousar e quando deixar o equipamento sem supervisão e coloque-o num local seguro de modo a evitar perigo para outras pessoas ou danos no equipamento.
8. Evite utilizar a máquina em más condições atmosféricas, especialmente quando existe o risco de trovoada.
3. Nunca utilize o equipamento em cima de uma escada.
4. Nunca suba nas árvores para realizar cortes com o equipamento.
5. Nunca trabalhe em superfícies instáveis.
6. Retire a areia, pedras, pregos, etc. que se encontrem dentro da área de trabalho. As partículas estranhas podem danificar a ferramenta de corte e podem causar ressaltos perigosos.
7. Se a ferramenta de corte atingir pedras ou outros objetos rijos, desligue imediatamente o motor e inspecione a ferramenta de corte.
8. Inspecione a ferramenta de corte em intervalos curtos regulares quanto a danos (detecção de fissuras finas através do teste de escuta de ruído).
9. Antes de começar a cortar, a ferramenta de corte tem de ter atingido a velocidade máxima de trabalho.
10. A ferramenta de corte tem de estar equipada com o resguardo apropriado. Nunca execute o equipamento com resguardos danificados ou sem ter os resguardos instalados no lugar!

#### Equipamento de proteção pessoal

1. Use sempre óculos de proteção e calçado robusto enquanto opera a máquina.
2. Use sempre calçado substancial e calças compridas enquanto opera a máquina.

#### Ligar o equipamento

1. Certifique-se de que não existem crianças ou outras pessoas por perto e tome igualmente atenção a quaisquer animais nas proximidades da área de trabalho. Caso contrário, pare de utilizar o equipamento.
2. Antes de utilizar, verifique sempre se é seguro operar o equipamento. Verifique a segurança da ferramenta de corte e do resguardo e do gatilho do interruptor/alavanca para ver se funcionam fácil e adequadamente. Verifique se as pegas estão limpas e secas e teste a função de ligar/desligar.
3. Verifique se há peças danificadas antes de continuar a utilizar o equipamento. Um resguardo danificado, ou qualquer outra peça, deve ser verificada com cuidado para determinar se funciona adequadamente e realiza a sua função pretendida. Verifique o alinhamento das peças móveis, a união das peças móveis, se as peças e fixações estão partidas e se há outras condições que possam afetar a sua operação. Um resguardo danificado, ou qualquer outra peça, deve ser reparado adequadamente ou substituído pelo nosso centro de assistência autorizado, a menos que seja indicado de outra forma neste manual.
4. Ligue o motor apenas quando as suas mãos e pés estão afastados da ferramenta de corte.
5. Antes de começar, certifique-se de que a ferramenta de corte não tem contacto com quaisquer objetos.
11. Todas as instalações de proteção e resguardos fornecidos com o equipamento têm de ser utilizados durante a operação.
12. Retire sempre a bateria do equipamento:
  - sempre que deixar o equipamento sem supervisão;
  - antes de desimpedir um bloqueio;
  - antes de verificar, limpar ou trabalhar no equipamento;
  - após bater num objeto estranho;
  - sempre que o equipamento começar a vibrar de forma invulgar.
13. Garanta sempre que as aberturas de ventilação são mantidas limpas de detritos.
14. Os elementos cortantes continuam a funcionar depois de o motor ser desligado.
15. Se as lâminas pararem devido ao encravamento de objetos estranhos entre as lâminas durante o funcionamento, desligue a ferramenta e remova a bateria e, em seguida, remova os objetos estranhos utilizando ferramentas, tais como um alicate. A remoção manual dos objetos estranhos pode causar ferimentos, uma vez que as lâminas podem mover-se como reação à remoção dos objetos estranhos.

#### Ferramentas de corte

Utilize apenas a ferramenta de corte correta para o trabalho em mãos.

#### Instruções de manutenção

1. A condição do equipamento, em particular da ferramenta de corte e dos dispositivos de proteção, deve ser verificada antes de iniciar o trabalho.
2. Desligue o motor e retire a bateria antes de efetuar qualquer manutenção, substituir as ferramentas de corte ou limpar o equipamento ou a ferramenta de corte.
3. Quando não estiver a ser utilizado, guarde o equipamento num local interior, seco e que esteja trancado ou longe do alcance das crianças. Limpe e faça a manutenção da ferramenta antes de guardar.

## GUARDE ESTAS INSTRUÇÕES.

**AVISO:** NÃO permita que conforto ou familiaridade com o produto (adquirido com o uso repetido) substitua a aderência estrita às regras de segurança da ferramenta. **MÁ INTERPRETAÇÃO** ou não seguimento das regras de segurança estabelecidas neste manual de instruções pode causar danos pessoais sérios.

## Avisos de Segurança para o Aparador De Cerca Viva a Bateria

- Mantenha todas as partes do corpo afastadas da lâmina. Não remova material cortado nem segure material a cortar quando as lâminas estiverem em movimento.** As lâminas continuam a mover-se depois de desligar o interruptor. Um momento de desatenção durante a operação do aparador de cerca viva pode resultar em ferimentos pessoais graves.
- Transporte o aparador de cerca viva segurando a pega com a lâmina imobilizada e tendo cuidado para não operar qualquer interruptor de alimentação.** O transporte apropriado do aparador de cerca viva reduz o risco de arranque inadvertido e consequentes ferimentos pessoais resultantes das lâminas.
- Quando transportar ou guardar o aparador de cerca viva, coloque sempre a tampa da lâmina.** O manuseamento apropriado do aparador de cerca viva reduz o risco de ferimentos pessoais resultantes das lâminas.
- Quando desimpedir material encravado ou realizar a manutenção da unidade, certifique-se de que todos os interruptores de alimentação estão desligados e que o conjunto de baterias foi removido ou está desligado.** A atuação inesperada do aparador de cerca viva, ao desimpedir material encravado ou realizar a manutenção, pode resultar em ferimentos pessoais graves.
- Segure o aparador de cerca viva apenas pelas superfícies de agarrar isoladas, porque a lâmina poderá tocar em fios ocultos.** O contacto das lâminas com um fio sob tensão pode colocar sob tensão as peças metálicas expostas do aparador de cerca viva e pode provocar um choque elétrico no operador.
- Mantenha todos os cabos de alimentação afastados da área de corte.** Os cabos de alimentação podem estar ocultos em sebes ou arbustos e podem ser acidentalmente cortados pela lâmina.
- Não utilize o aparador de cerca viva em más condições atmosféricas, especialmente quando existe o risco de relâmpagos.** Isto reduz o risco de ser atingido por um relâmpago.

## Instruções de segurança adicionais

### Preparação

- Verifique as sebes e os arbustos quanto a objetos estranhos, tais como cercas de arame ou fios ocultos antes de utilizar a ferramenta.**
- A ferramenta não deve ser utilizada por crianças ou jovens com idade inferior a 18 anos.** Os jovens com mais de 16 anos poderão estar isentos desta restrição se estiverem a receber formação sob a supervisão de um utilizador experiente.

- As pessoas que utilizam a ferramenta pela primeira vez devem ser instruídas por um utilizador experiente capaz de lhes demonstrar como utilizar a ferramenta.**
- Utilize a ferramenta apenas se estiver em boas condições físicas.** Se estiver cansado, a sua atenção será reduzida. Tenha especial atenção no final de um dia de trabalho. Realize todo o trabalho com calma e cuidado. O utilizador é responsável por todos os danos causados a terceiros.
- Nunca utilize a ferramenta se estiver sob a influência de álcool, drogas ou medicamentos.**
- As luvas de trabalho de couro robusto fazem parte do equipamento básico da ferramenta e têm de ser sempre usadas quando trabalhar com a mesma. Use sempre calçado robusto com solas antideslizantes.**
- Antes de iniciar o trabalho, certifique-se de que a ferramenta apresenta condições de trabalho adequadas e seguras. Assegure que os resguardos estão corretamente instalados. A ferramenta não deve ser utilizada se não estiver completamente montada.**

### Operação

- Agarre a ferramenta com firmeza durante a sua utilização.**
- A ferramenta destina-se a ser utilizada pelo operador ao nível do chão. Não utilize a ferramenta em escadas ou em qualquer outro apoio instável.**
- Não utilize simultaneamente vários arneses para o cinto e/ou arneses para o ombro quando operar a ferramenta.**
- PERIGO - Mantenha as mãos afastadas da lâmina.** O contacto com a lâmina resultará em lesões físicas graves.
- Não utilize a ferramenta sob precipitação ou em condições chuvosas ou de muita humidade.** O motor elétrico não é estanque.
- Certifique-se de que usou de uma posição segura antes de iniciar a operação.**
- Não opere a ferramenta sem carga desnecessariamente.**
- Desligue imediatamente a ferramenta e retire a bateria se as lâminas de corte entrarem em contacto com uma cerca ou outro objeto duro. Verifique se as lâminas estão danificadas e, caso se encontrem danificadas, substitua-as imediatamente.**
- Antes de verificar as lâminas de corte, reparar avarias ou remover material preso nas lâminas de corte, desligue sempre a ferramenta e remova a bateria.**
- Nunca aponte as lâminas de corte na sua direção ou na direção de terceiros.**
- Se as lâminas pararem devido ao encravamento de objetos estranhos entre as lâminas durante o funcionamento, desligue a ferramenta e remova a bateria e, em seguida, remova os objetos estranhos utilizando ferramentas, tais como um alicate.** A remoção manual dos objetos estranhos pode causar ferimentos, uma vez que as lâminas podem mover-se como reação à remoção dos objetos estranhos.
- Evite ambientes perigosos. Não utilize a ferramenta em locais húmidos ou molhados, nem a exponha à chuva. A água que entra na ferramenta aumenta o risco de choque elétrico.**

## Manutenção e armazenamento

1. Desligue a ferramenta e remova a bateria antes de realizar qualquer trabalho de manutenção.
2. Quando mover a ferramenta para outro local, incluindo durante o trabalho, remova sempre a bateria e coloque a tampa da lâmina nas lâminas de corte. Nunca mova nem transporte a ferramenta com as lâminas em funcionamento. Nunca agarre as lâminas com as mãos.
3. Limpe a ferramenta, e especialmente as lâminas de corte, após a utilização e antes de armazenar a ferramenta por períodos prolongados. Lubrifique ligeiramente as lâminas e coloque a tampa da lâmina.
4. Guarde a ferramenta com a tampa da lâmina colocada num local seco. Mantenha-o fora do alcance das crianças. Nunca guarde a ferramenta em espaços exteriores.
5. Não elimine a(s) bateria(s) no fogo. A célula pode explodir. Verifique com os códigos locais as possíveis instruções de eliminação especiais.
6. Não abra nem mutile a(s) bateria(s). O eletrólito libertado é corrosivo e pode provocar danos nos olhos ou na pele. Pode ser tóxico se for engolido.
7. Não carregue a bateria sob chuva ou em locais húmidos.

## GUARDE ESTAS INSTRUÇÕES.

**⚠AVISO:** NÃO permita que conforto ou familiaridade com o produto (adquirido com o uso repetido) substitua a aderência estrita às regras de segurança da ferramenta. **MÁ INTERPRETAÇÃO** ou não seguimento das regras de segurança estabelecidas neste manual de instruções pode causar danos pessoais sérios.

## Instruções de segurança importantes para a bateria

1. Antes de utilizar a bateria, leia todas as instruções e etiquetas de precaução no (1) carregador de bateria (2) bateria e (3) produto que utiliza a bateria.
2. Não desmonte ou manipule a bateria. Pode resultar num incêndio, em calor excessivo ou numa explosão.
3. Se o tempo de funcionamento se tornar excessivamente curto, pare o funcionamento imediatamente. Pode resultar em sobreaquecimento, possíveis queimaduras e mesmo explosão.
4. Se entrar eletrólito nos seus olhos, lave-os com água e consulte imediatamente um médico. Pode resultar em perda de visão.
5. Não coloque a bateria em curto-circuito:
  - (1) Não toque nos terminais com qualquer material condutor.
  - (2) Evite guardar a bateria juntamente com outros objetos metálicos tais como pregos, moedas, etc.
  - (3) Não exponha a bateria à água ou chuva.

Um curto-circuito pode ocasionar um enorme fluxo de corrente, sobreaquecimento, possíveis queimaduras e mesmo estragar-se.

6. Não guarde nem utilize a ferramenta e a bateria em locais onde a temperatura pode atingir ou exceder 50 °C.
7. Não queime a bateria mesmo que esteja estragada ou completamente gasta. A bateria pode explodir no fogo.
8. Não pregue, corte, esmague, atire, deixe cair a bateria, nem bata a bateria contra um objeto rijo. Esta conduta pode resultar num incêndio, em calor excessivo ou numa explosão.
9. Não utilize uma bateria danificada.
10. As baterias de íões de lítio contidas na ferramenta são sujeitas aos requisitos da DGL (Dangerous Goods Legislation - Legislação de bens perigosos).

Para o transporte comercial, por exemplo, por terceiros ou agentes de expedição, têm de ser observados os requisitos referentes à embalagem e etiquetagem. Para preparação do artigo a ser expedido, é necessário consultar um perito em materiais perigosos. Tenha ainda em conta a possibilidade de existirem regulamentos nacionais mais detalhados. Coloque fita-cola ou tape os contactos abertos e embale a bateria de tal forma que não possa mover-se dentro da embalagem.
11. Quando eliminar a bateria, remova-a da ferramenta e elimine-a num local seguro. Siga os regulamentos locais relacionados com a eliminação de baterias.
12. Utilize as baterias apenas com os produtos especificados pela Makita. Instalar as baterias em produtos não-conformes poderá resultar num incêndio, calor excessivo, explosão ou fuga de eletrólito.
13. Se a ferramenta não for utilizada durante um período de tempo prolongado, a bateria deve ser removida da ferramenta.
14. Durante e após a utilização, a bateria pode aquecer, o que pode provocar queimaduras ou queimaduras a baixa temperatura. Preste atenção ao manuseamento de baterias quentes.
15. Não toque no terminal da ferramenta imediatamente após a utilização, pois pode ficar suficientemente quente para provocar queimaduras.
16. Não permita a adesão de aparas, pó ou sujidade nos terminais, nos orifícios e nas ranhuras da bateria. Pode resultar no fraco desempenho ou na avaria da ferramenta ou bateria.
17. A menos que a ferramenta suporte a utilização perto de linhas elétricas de alta tensão, não utilize a bateria perto de linhas elétricas de alta tensão. Pode resultar no mau funcionamento ou na avaria da ferramenta ou bateria.
18. Mantenha a bateria afastada das crianças.

## GUARDE ESTAS INSTRUÇÕES.

**⚠PRECAUÇÃO:** Utilize apenas baterias genuínas da Makita. A utilização de baterias não genuínas da Makita ou de baterias que foram alteradas, pode resultar no rebentamento da bateria provocando incêndios, ferimentos pessoais e danos. Além disso, anulará da garantia da Makita no que se refere à ferramenta e ao carregador Makita.

## Conselhos para manter a máxima vida útil da bateria

1. Carregue a bateria antes que esteja completamente descarregada. Pare sempre o funcionamento da ferramenta e carregue a bateria quando notar menos poder na ferramenta.
2. Nunca carregue uma bateria completamente carregada. Carregamento excessivo diminui a vida útil da bateria.
3. Carregue a bateria à temperatura ambiente de 10 °C – 40 °C. Deixe que uma bateria quente arrefeça antes de a carregar.
4. Quando não utilizar a bateria, remova-a da ferramenta ou do carregador.
5. Carregue a bateria se não a utilizar durante um longo período de tempo (mais de seis meses).

## DESCRIÇÃO FUNCIONAL

**⚠️ PRECAUÇÃO:** Certifique-se sempre de que a ferramenta está desligada e a bateria foi retirada antes de regular ou verificar qualquer função na ferramenta.

### Utilizar a ferramenta como aparador de cerca viva a bateria

Esta ferramenta pode ser utilizada como aparador de cerca viva a bateria ao instalar as lâminas de corte para o aparador de cerca viva.

### Instalação ou remoção da bateria

**⚠️ PRECAUÇÃO:** Desligue sempre a ferramenta antes de colocar ou retirar a bateria.

**⚠️ PRECAUÇÃO:** Segure firmemente a ferramenta e a bateria quando instalar ou remover a bateria. Se não segurar firmemente a ferramenta e a bateria pode fazer com que escorreguem das suas mãos resultando em danos na ferramenta e na bateria e ferimentos pessoais.

► **Fig.1:** 1. Indicador vermelho 2. Botão 3. Bateria

Para retirar a bateria, deslize-a para fora da ferramenta enquanto desliza o botão na frente da bateria.

Para instalar a bateria, alinhe a lingueta na bateria com a ranhura na caixa e deslize-a para a posição correta. Insira-a por completo até bloquear na posição correta com um pequeno clique. Se conseguir ver o indicador vermelho conforme apresentado na figura, não está completamente bloqueada.

**⚠️ PRECAUÇÃO:** Instale sempre a bateria até ao fim, até deixar de ver o indicador vermelho.

Caso contrário, a bateria poderá cair da ferramenta acidentalmente e provocar ferimentos em si mesmo ou em alguém próximo.

**⚠️ PRECAUÇÃO:** Não instale a bateria à força. Se a bateria não deslizar facilmente é porque não foi colocada corretamente.

## Sistema de proteção da ferramenta/bateria

A ferramenta está equipada com um sistema de proteção da ferramenta/bateria. Este sistema corta automaticamente a corrente para o motor para aumentar a vida da ferramenta e da bateria. A ferramenta para automaticamente durante o funcionamento se a ferramenta ou bateria for colocada mediante uma das seguintes condições:

### Proteção contra sobrecarga

Quando a bateria é operada de modo a causar uma absorção de corrente invulgarmente alta, a ferramenta para automaticamente. Nesta situação, desligue a ferramenta e pare a aplicação que provocou a sobrecarga na ferramenta. Depois, ligue a ferramenta para a reiniciar.

### Proteção contra sobreaquecimento

Quando a bateria está sobreaquecida, a ferramenta para automaticamente. Neste caso, deixe a ferramenta e a bateria arrefecerem antes de ligar novamente a ferramenta.

### Proteção contra descarga excessiva

Quando a capacidade da bateria não for suficiente, a ferramenta para automaticamente. Se ligar a ferramenta, o motor opera novamente mas para momentos depois. Neste caso, remova a bateria da ferramenta e carregue a bateria.

## Ação do interruptor

**⚠️ AVISO:** Antes de colocar a bateria na ferramenta, verifique sempre se o gatilho do interruptor funciona corretamente e volta para a posição “OFF” quando libertado.

**⚠️ AVISO:** Para sua segurança, esta ferramenta está equipada com o botão de desbloqueio que impede que a ferramenta efetue o arranque inadvertidamente. Nunca utilize a ferramenta se esta efetuar o arranque quando puxa o gatilho do interruptor sem pressionar o botão de desbloqueio. Peça a reparação no centro de assistência Makita local.

**⚠️ AVISO:** Nunca desative a função de bloqueio ou tape o botão de desbloqueio com fita adesiva.

**OBSERVAÇÃO:** Não puxe o gatilho do interruptor à força sem pressionar o botão de desbloqueio. O interruptor pode partir.

► **Fig.2:** 1. Gatilho 2. Botão de desbloqueio

Para evitar que o gatilho do interruptor seja puxado acidentalmente, existe um botão de desbloqueio. Para efetuar o arranque da ferramenta, pressione o botão de desbloqueio e puxe o gatilho do interruptor. Solte o gatilho do interruptor para parar. O botão de desbloqueio pode ser pressionado a partir da direita ou da esquerda.



## Luz indicadora

A luz indicadora pisca ou acende quando a restante capacidade da bateria está fraca ou vazia. A luz indicadora também acende quando a ferramenta fica sobrecarregada.

► **Fig.3:** 1. Luz indicadora

### Estado da lâmpada e medida a tomar

Luz indicadora	Estado	Medida a tomar
A lâmpada pisca com luz vermelha.	A restante capacidade da bateria está fraca.	Carregue a bateria.
A lâmpada emite luz vermelha. *	A ferramenta parou porque a restante capacidade da bateria está vazia.	Carregue a bateria.
	A ferramenta parou devido a sobrecarga.	Desligue a ferramenta.

\* O tempo em que a luz indicadora acende varia em função da temperatura em redor da área de trabalho e das condições da bateria.

## Ajustar a altura de corte (para a tesoura para grama)

### Acessório opcional

**⚠PRECAUÇÃO:** Quando alterar a altura de corte, certifique-se de que acopla a tampa da lâmina e tenha cuidado para não prender os dedos entre a ferramenta e o recipiente da relva.

A altura de corte pode ser definida para três níveis (15 mm, 20 mm e 25 mm) ao alterar a posição fixa do recipiente da relva. A altura de corte sem o recipiente da relva é cerca de 10 mm.

1. Deslize o recipiente da relva em direção à parte frontal da ferramenta.

► **Fig.4:** 1. Recipiente da relva

2. Altere a posição fixa do recipiente da relva movendo-o na direção da seta.

► **Fig.5**

**NOTA:** O valor da altura de corte é uma orientação. A altura de corte efetiva pode variar em função do estado do relvado ou do solo.

**NOTA:** Experimente testar o corte num local menos visível para obter a altura que pretende.

## MONTAGEM

**⚠PRECAUÇÃO:** Certifique-se sempre de que a ferramenta está desligada e a bateria retirada antes de executar qualquer trabalho na ferramenta.

**⚠PRECAUÇÃO:** Quando substituir as lâminas de corte, use sempre luvas e acople a tampa da lâmina, de modo a que as suas mãos e rosto não fiquem em contacto direto com as lâminas.

**OBSERVAÇÃO:** Quando substituir as lâminas de corte, não limpe a massa lubrificante da engrenagem e da manivela.

### Instalar ou remover a tampa da lâmina

**⚠PRECAUÇÃO:** Tenha cuidado para não tocar nas lâminas quando instalar ou remover a tampa da lâmina.

Para remover a tampa da lâmina, puxe-a ligeiramente e, de seguida, deslize-a na lateral. Para instalar a tampa da lâmina, realize os passos anteriores de forma inversa.

► **Fig.6**

### Instalar ou remover o recipiente da relva

#### Acessório opcional

**⚠PRECAUÇÃO:** Quando instalar ou remover o recipiente da relva, certifique-se de que acopla a tampa da lâmina e tenha cuidado para não prender os dedos entre a ferramenta e o recipiente da relva.

### Instalar o recipiente da relva

1. Fixe a articulação do recipiente da relva na ranhura da ferramenta.

► **Fig.7:** 1. Articulação 2. Recipiente da relva

2. Alinhe as saliências no recipiente da relva com as ranhuras na ferramenta ao deslizar o recipiente da relva na direção da parte frontal da ferramenta e movendo-o na direção da seta.

► **Fig.8**

**OBSERVAÇÃO:** Não acople a articulação do recipiente da relva à ferramenta à força após alinhar as saliências no recipiente da relva com as ranhuras na ferramenta.

### Remover o recipiente da relva

1. Solte as saliências no recipiente da relva das ranhuras na ferramenta enquanto desliza o recipiente da relva na direção da parte frontal da ferramenta.



► **Fig.9:** 1. Recipiente da relva

2. Solte a articulação do recipiente da relva da ferramenta.

## Instalar ou remover as lâminas de corte para a tesoura para grama

**OBSERVAÇÃO:** Se as peças além das lâminas de corte, tais como a manivela estiverem desgastadas, solicite substituições de peças ou reparações aos centros de assistência autorizados da Makita.





### Remover as lâminas de corte

1. Remova o recipiente da relva se estiver instalado. Coloque a ferramenta virada para baixo.  
▶ Fig.10
2. Enquanto pressiona a alavanca de bloqueio, rode a tampa inferior para a esquerda até  na tampa inferior estar alinhado com  na alavanca de bloqueio.  
▶ Fig.11: 1. Tampa inferior 2. Alavanca de bloqueio
3. Remova a tampa inferior, as lâminas de corte e a manivela.  
▶ Fig.12: 1. Tampa inferior 2. Lâminas de corte 3. Manivela

### Instalar as lâminas de corte

1. Prepare a manivela, a tampa inferior e as novas lâminas de corte.  
▶ Fig.13: 1. Manivela 2. Tampa inferior 3. Lâminas de corte
2. Remova a tampa da lâmina das lâminas de corte usadas e, de seguida, acople-a às lâminas novas.  
▶ Fig.14: 1. Tampa da lâmina
3. Ajuste os três pinos de modo a ficarem alinhados na linha de alinhamento.  
▶ Fig.15: 1. Linha de alinhamento
4. Aplique uma pequena quantidade de massa lubrificante na periferia da manivela. Acople a manivela aos pinos com voltas pequenas e grandes viradas para cima.  
▶ Fig.16: 1. Manivela
5. Ajuste as lâminas e a chapa guia de modo que o orifício na chapa guia e as duas saliências nas lâminas fiquem alinhados.  
▶ Fig.17: 1. Chapa guia
6. Vire as lâminas de corte ao contrário e instale-as de modo que os pinos na ferramenta encaixem no orifício na chapa guia. Certifique-se de que as lâminas de corte estão firmemente fixadas no lugar.  
▶ Fig.18: 1. Chapa guia

**NOTA:** Deslizar ligeiramente a tampa da lâmina para a frente facilita a instalação das lâminas de corte.

7. Coloque a tampa inferior de modo a que  na tampa inferior fique alinhado com  na alavanca de bloqueio.  
▶ Fig.19: 1. Tampa inferior 2. Alavanca de bloqueio
8. Enquanto pressiona a tampa inferior, rode a tampa inferior para a direita até  na tampa inferior estar alinhado com  na alavanca de bloqueio.  
▶ Fig.20: 1. Tampa inferior 2. Alavanca de bloqueio
9. Certifique-se de que a alavanca de bloqueio encaixa na ranhura na tampa inferior.  
▶ Fig.21: 1. Alavanca de bloqueio

**PRECAUÇÃO:** Nunca utilize a ferramenta sem instalar a tampa inferior.

10. Remova a tampa da lâmina e, de seguida, ligue a ferramenta para verificar se funciona corretamente.



**OBSERVAÇÃO:** Se as lâminas de corte não operarem corretamente, as lâminas não estão a engatar corretamente na manivela. Remova as lâminas e instale-as novamente.

## Instalar ou remover as lâminas de corte para o aparador de cerca viva

**PRECAUÇÃO:** Acople a tampa da lâmina antes de remover ou instalar as lâminas de corte.

**OBSERVAÇÃO:** Se as peças além das lâminas de corte, tais como a manivela estiverem desgastadas, solicite substituições de peças ou reparações aos centros de assistência autorizados da Makita.

### Remover as lâminas de corte

1. Coloque a ferramenta virada para baixo.  
▶ Fig.22
2. Enquanto pressiona a alavanca de bloqueio, rode a tampa inferior para a esquerda até  na tampa inferior estar alinhado com  na alavanca de bloqueio.  
▶ Fig.23: 1. Alavanca de bloqueio 2. Tampa inferior
3. Remova a tampa inferior.  
▶ Fig.24: 1. Tampa inferior
4. Solte dois parafusos com uma chave de fendas e remova as lâminas de corte.  
▶ Fig.25: 1. Parafusos

**NOTA:** As lâminas de corte podem ser removidas sem remover os parafusos.

5. Remova a manivela das lâminas de corte.  
▶ Fig.26: 1. Manivela

**NOTA:** A manivela pode permanecer na ferramenta.

**NOTA:** Acople a tampa da lâmina e a caixa de armazenamento às lâminas de corte removidas e, de seguida, guarde as lâminas.

### Instalar lâminas de corte

1. Prepare a manivela, a tampa inferior e as novas lâminas de corte.  
▶ Fig.27: 1. Manivela 2. Tampa inferior 3. Lâminas de corte
2. Acople a tampa da lâmina às lâminas de corte.  
▶ Fig.28: 1. Tampa da lâmina
3. Ajuste os três pinos de modo a ficarem alinhados na linha de alinhamento.  
▶ Fig.29: 1. Linha de alinhamento
4. Aplique uma pequena quantidade de massa lubrificante na periferia da manivela. Acople a manivela aos pinos com voltas pequenas e grandes viradas para baixo.  
▶ Fig.30: 1. Manivela

5. Deslize as lâminas de corte de modo que o orifício na chapa guia fique posicionado no centro dos anéis das lâminas.

► **Fig.31:** 1. Chapa guia



6. Vire as lâminas de corte ao contrário e instale-as de modo que o pino na ferramenta encaixe no orifício nas lâminas de corte. Insira a garra da chapa guia na ranhura na ferramenta. Certifique-se de que as lâminas de corte estão firmemente fixadas no lugar.

► **Fig.32:** 1. Garra 2. Chapa guia


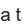
**NOTA:** Deslizar ligeiramente a tampa da lâmina para a frente facilita a instalação das lâminas de corte.

7. Aperte firmemente os dois parafusos com uma chave de fendas.

► **Fig.33:** 1. Parafusos

8. Coloque a tampa inferior de modo a que  na tampa inferior fique alinhado com  na alavanca de bloqueio.

► **Fig.34:** 1. Alavanca de bloqueio 2. Tampa inferior

9. Enquanto pressiona a tampa inferior, rode a tampa inferior para a direita até  na tampa inferior estar alinhado com  na alavanca de bloqueio.

► **Fig.35:** 1. Tampa inferior

10. Certifique-se de que a alavanca de bloqueio encaixa na ranhura na tampa inferior.

► **Fig.36:** 1. Alavanca de bloqueio

**PRECAUÇÃO:** Nunca utilize a ferramenta sem instalar a tampa inferior.

11. Remova a tampa da lâmina e, de seguida, ligue a ferramenta para verificar se a ferramenta funciona corretamente.

**OBSERVAÇÃO:** Se as lâminas de corte não operarem corretamente, as lâminas não estão a engatar corretamente na manivela. Remova as lâminas e instale-as novamente.

## Instalar ou remover o recipiente de aparas

### Acessório opcional

**PRECAUÇÃO:** Quando instalar ou remover o recipiente de aparas, use sempre luvas e acople a tampa da lâmina, de modo a que as suas mãos e rosto não fiquem em contacto direto com a lâmina.

O recipiente de aparas recolhe folhas caídas e torna a limpeza posterior muito mais fácil. Pode ser instalado em ambos os lados da ferramenta.

Para instalar o recipiente de aparas pressione-o contra as lâminas de corte de modo a que os ganchos encaixem nos orifícios das lâminas de corte.

► **Fig.37:** 1. Ganchos 2. Orifícios

Para remover o recipiente de aparas, pressione as alavancas em ambos os lados para soltar os ganchos.

► **Fig.38:** 1. Alavancas

**OBSERVAÇÃO:** Nunca tente remover o recipiente de aparas exercendo força excessiva com os respetivos ganchos bloqueados nos orifícios das lâminas.

## OPERAÇÃO

**AVISO:** Antes de efetuar o corte, retire eventuais paus e pedras da área de corte. Além disso, retire antecipadamente eventuais ervas da área de corte.

► **Fig.39**

**AVISO:** Mantenha as mãos afastadas das lâminas.

**PRECAUÇÃO:** Evite operar a ferramenta em condições atmosféricas muito quentes tanto quanto seja possível. Quando operar a ferramenta, tenha cuidado com a sua condição física.

## Corte (para a tesoura para grama)

Ligue a ferramenta após ajustar a altura de corte e segure-a de modo a que a parte inferior da ferramenta assente no solo. Mova gentilmente a ferramenta para a frente.

► **Fig.40**

Quando aparar em redor de valas, cercas ou árvores, mova a ferramenta ao longo destas. Tenha cuidado para que as lâminas não toquem nestas.

► **Fig.41**

Quando aparar rebentos ou folhagem de árvores pequenas, apare pouco a pouco.

► **Fig.42**

Apare ramos grandes à altura pretendida utilizando lâminas para ramos antes de utilizar esta ferramenta.

**OBSERVAÇÃO:** Não utilize a ferramenta de modo a causar a paragem do motor ou a respetiva rotação extremamente lenta.

**OBSERVAÇÃO:** Não tente cortar ramos grossos.

**OBSERVAÇÃO:** Não deixe que as lâminas de corte entrem em contacto com o solo durante a operação. As lâminas serão enfraquecidas, causando um fraco desempenho.

**OBSERVAÇÃO:** Não apare a relva ou folhas molhadas de árvores pequenas.

## Cortar relvados compridos

Não tente cortar relva comprida de uma só vez. Em vez disso, corte o relvado por etapas. Deixe um dia ou dois de intervalo entre os cortes até o relvado ficar uniformemente curto.

► **Fig.43**

**NOTA:** Cortar relva comprida em curta duração de uma vez só pode fazer com que a relva morra.

## Aparar (para o aparador de cerca viva)

**⚠️ PRECAUÇÃO:** Tenha cuidado para não tocar acidentalmente numa cerca de metal ou noutro objeto duro enquanto estiver a aparar. As lâminas podem partir e causar ferimentos.

**⚠️ PRECAUÇÃO:** Tenha cuidado para não deixar que as lâminas de corte toquem no solo. A ferramenta pode recuar e causar ferimentos.

**⚠️ PRECAUÇÃO:** Esticar-se para alcançar um local com o aparador de cerca viva, particularmente desde uma escada, é extremamente perigoso. Não trabalhe se estiver posicionado sobre um suporte trêmulo ou instável.

**OBSERVAÇÃO:** Não tente cortar ramos mais grossos do que 10 mm de diâmetro com a ferramenta. Apare ramos 10 cm mais baixo do que a altura de corte utilizando lâminas para ramos antes de utilizar a ferramenta.

► Fig.44: (1) Altura de corte (2) 10 cm

**OBSERVAÇÃO:** Não corte árvores secas ou objetos duros similares. Ao fazê-lo pode causar danos na ferramenta.

**OBSERVAÇÃO:** Não apare a relva ou ervas enquanto estiver a utilizar as lâminas de corte. As lâminas poderão ficar emaranhadas na relva ou nas ervas.

Segure a ferramenta com uma mão, puxe o gatilho do interruptor enquanto pressiona o botão de desbloqueio e, de seguida, mova-a para a frente.

► Fig.45

Para o funcionamento básico, incline as lâminas em direção ao sentido de aparar e mova-as calma e lentamente à velocidade de 3 a 4 segundos por metro.

► Fig.46

Atar uma corda à altura pretendida e aparar ao longo desta ajuda-o a cortar uniformemente o topo de uma cerca.

► Fig.47

Se o recipiente de aparas estiver acoplado às lâminas, este recolhe folhas caídas e torna a limpeza posterior muito mais fácil.

Para cortar o lado de uma cerca uniformemente, corte a partir da parte inferior até ao topo.

► Fig.48

Quando aparar para moldar uma forma redonda (aparar por buxo ou rododendro, etc.), apare desde a raiz até ao topo para obter um acabamento bonito.

► Fig.49

## MANUTENÇÃO

**⚠️ PRECAUÇÃO:** Certifique-se sempre de que a ferramenta se encontra desligada e de que a bateria foi retirada antes de executar qualquer inspeção ou manutenção.

Para manter a SEGURANÇA e a FIABILIDADE do produto, as reparações e qualquer outra manutenção ou ajuste devem ser levados a cabo pelos centros de assistência Makita autorizados ou pelos centros de assistência de fábrica, utilizando sempre peças de substituição Makita.

### Limpar a ferramenta

Limpe a ferramenta, limpando o pó com um pano seco ou um pano humedecido em água com detergente e torcido.

**OBSERVAÇÃO:** Nunca utilize gasolina, benzina, diluente, álcool ou produtos semelhantes. Pode ocorrer a descoloração, deformação ou rachaduras.

### Manutenção da lâmina

Antes da operação ou uma vez por hora durante a operação aplique óleo de baixa viscosidade (óleo para máquinas ou óleo lubrificante de pulverizar) nas lâminas.

► Fig.50

► Fig.51

Após a operação, remova o pó de ambos os lados das lâminas com uma escova de fios, limpe-as com um pano e, de seguida, aplique óleo de baixa viscosidade (óleo para máquinas ou óleo lubrificante de pulverizar) nas lâminas.

► Fig.52

► Fig.53

**OBSERVAÇÃO:** Não lave as lâminas na água. Ao fazê-lo pode causar ferrugem ou danos na ferramenta.

**OBSERVAÇÃO:** A sujidade e a corrosão causam fricção excessiva da lâmina e encurtam o tempo de funcionamento por carga de bateria.

### Armazenamento

O orifício para o gancho na parte inferior da ferramenta é conveniente para pendurar a ferramenta num prego ou parafuso na parede.

Acople a tampa da lâmina às lâminas de corte, de modo a que as lâminas não fiquem expostas. Guarde a ferramenta fora do alcance das crianças. Guarde a ferramenta num local não exposto a humidade ou precipitação.

► Fig.54: 1. Orifício

► Fig.55: 1. Orifício

# ACESSÓRIOS OPCIONAIS

**⚠️ PRECAUÇÃO:** Estes acessórios ou peças são recomendados para utilização com a ferramenta Makita especificada neste manual. A utilização de outros acessórios ou peças pode ser perigosa para as pessoas. Utilize apenas acessórios ou peças para os fins indicados.

Se necessitar de informações adicionais relativas a estes acessórios, solicite-as ao seu centro de assistência Makita.

- Conjunto da lâmina de corte (para utilização na tesoura para grama)
- Tampa da lâmina de corte (para utilização na tesoura para grama)
- Recipiente da relva (para utilização na tesoura para grama)
- Acessório da pega comprida (para utilização na tesoura para grama)
- Conjunto da lâmina de corte (para utilização no aparador de cerca viva)
- Tampa da lâmina de corte (para utilização no aparador de cerca viva)
- Recipiente de aparas (para utilização no aparador de cerca viva)
- Caixa de armazenamento
- Bateria e carregador genuínos da Makita

**NOTA:** Alguns itens da lista podem estar incluídos na embalagem da ferramenta como acessórios padrão. Eles podem variar de país para país.

## SPECIFIKATIONER

<b>Model:</b>		<b>UM110D</b>
Klippebredde		110 mm
Antal slag pr. minut		2.500 min <sup>-1</sup>
Artikelnr. på reservelinger	Græsklipper	191N23-4, 195267-4
	Hæktrimmer	191N24-2, 198408-1
Dimensioner (L x B x H)		331 mm x 120 mm x 130 mm
Mærkespænding		18 V DC
Nettovægt		1,4 kg - 1,5 kg

- På grund af vores kontinuerlige forsknings- og udviklingsprogrammer kan hosstående specifikationer blive ændret uden varsel.
- Specifikationer og akku kan variere fra land til land.
- Vægten kan være anderledes afhængigt af tilbehøret, inklusive akkuen. Den letteste og tungeste kombination i henhold til EPTA-procedure 01/2014 er vist i tabellen.

## Anvendelig akku og oplader

Akku	BL1813G / BL1815G
Oplader	DC18WA

- Nogle af de akkuer og opladere, der er angivet ovenfor, er muligvis ikke tilgængelige, afhængigt af hvilket område du bor i.

**⚠ ADVARSEL: Brug kun de akkuer og opladere, der er angivet ovenfor. Brug af andre akkuer og opladere kan medføre personskaade og/eller brand.**

## Symboler

Følgende viser de symboler, der muligvis anvendes til udstyret. Sørg for, at du forstår deres betydning før brugen.

	Udvis særlig forsigtighed og opmærksomhed.
	Læs betjeningsvejledningen.
	Fare; pas på kastede genstande.
	Hold omkringstående personer væk.
	De skærende dele fortsætter med at rotere, efter at der er slukket for motoren.
	Må ikke udsættes for fugt.
	Bær sikkerhedsbriller.
	FARE - Hold hænder væk fra klingerne.



Kun for lande inden for EU  
På grund af tilstedeværelsen af farlige komponenter i udstyret kan affald af elektrisk og elektronisk udstyr, akkumulatører og batterier have en negativ indvirkning på miljøet og folkesundheden. Bortskaf ikke elektriske og elektroniske apparater eller batterier sammen med husholdningsaffald!  
I overensstemmelse med EF-direktiv om affaldshåndtering af elektrisk og elektronisk udstyr og om akkumulatører og batterier og affaldsakkumulatører og -batterier, og i overensstemmelse med national lovgivning, skal brugt elektrisk udstyr, batterier og akkumulatører opbevares separat og leveres til et separat indsamlingssted for kommunalt affald, der er etableret i henhold til bestemmelserne om miljøbeskyttelse. Dette er angivet ved symbolet på den krydsede skraldespand, der er placeret på udstyret.



Garanteret lydeffektniveau i henhold til EU-direktivet om maskiner til udendørs brug.



Lydeffektniveau i henhold til Australiens NSW forordning om støjemission

## Tilsigtet anvendelse

Denne maskine er beregnet til at klippe kanter af græsplæner eller småkviste.

## Støj

Det typiske A-vægtede støjniveau bestemt i overensstemmelse med EN50636-2-94:

### UM110D med klinger til græsklipper monteret

Lydtryksniveau ( $L_{pA}$ ): 70 dB (A)

Usikkerhed (K): 1,9 dB (A)

Støjniveauet under arbejdet kan overskride 80 dB (A).

Det typiske A-vægtede støjniveau bestemt i overensstemmelse med EN62841-4-2:

### UM110D med klinger til hæktrimmer monteret

Lydtryksniveau ( $L_{pA}$ ): 70 dB(A)

Usikkerhed (K): 3 dB(A)

Støjniveauet under arbejdet kan overskride 80 dB (A).

**BEMÆRK:** De(n) angivne støjemissionsværdi(er) er målt i overensstemmelse med en standardtestmetode og kan anvendes til at sammenligne en maskine med en anden.

**BEMÆRK:** De(n) angivne støjemissionsværdi(er) kan også anvendes i en præliminær eksponeringsvurdering.

**⚠ ADVARSEL:** Bær høreværn.

**⚠ ADVARSEL:** Støjemissionen under den faktiske anvendelse af maskinen kan være forskellig fra de(n) angivne værdi(er), afhængigt af den måde hvorpå maskinen anvendes, især den type arbejdsemne der behandles.

**⚠ ADVARSEL:** Sørg for at identificere de sikkerhedsforskrifter til beskyttelse af operatøren, som er baseret på en vurdering af eksponering under de faktiske brugsforhold (med hensyntagen til alle dele i brugscyklussen, f.eks. de gange, hvor maskinen er slukket, og når den kører i tomgang i tilgift til afbrydertiden).

## Vibration

Vibrationens totalværdi (tre-aksial vektorsum) bestemt i overensstemmelse med EN50636-2-94:

### UM110D med klinger til græsklipper monteret

Vibrationsemission ( $a_v$ ): 2,5 m/s<sup>2</sup> eller mindre

Usikkerhed (K): 1,5 m/s<sup>2</sup>

Vibrationens totalværdi (tre-aksial vektorsum) bestemt i overensstemmelse med EN62841-4-2:

### UM110D med klinger til hæktrimmer monteret

Vibrationsemission ( $a_v$ ): 2,5 m/s<sup>2</sup> eller mindre

Usikkerhed (K): 1,5 m/s<sup>2</sup>

**BEMÆRK:** De(n) angivne totalværdi(er) for vibration er målt i overensstemmelse med en standardtestmetode og kan anvendes til at sammenligne en maskine med en anden.

**BEMÆRK:** De(n) angivne totalværdi(er) for vibration kan også anvendes i en præliminær eksponeringsvurdering.

**⚠ ADVARSEL:** Vibrationsemissionen under den faktiske anvendelse af maskinen kan være forskellig fra de(n) angivne værdi(er), afhængigt af den måde hvorpå maskinen anvendes, især den type arbejdsemne der behandles.

**⚠ ADVARSEL:** Sørg for at identificere de sikkerhedsforskrifter til beskyttelse af operatøren, som er baseret på en vurdering af eksponering under de faktiske brugsforhold (med hensyntagen til alle dele i brugscyklussen, f.eks. de gange, hvor maskinen er slukket, og når den kører i tomgang i tilgift til afbrydertiden).

## EF-overensstemmelseserklæring

### Kun for lande i Europa

EF-overensstemmelseserklæringen er inkluderet som Bilag A i denne brugsanvisning.

## SIKKERHEDSADVARSLER

### Almindelige sikkerhedsregler for el-værktøj

**⚠ ADVARSEL:** Læs alle de sikkerhedsadvarsler, instruktioner, illustrationer og specifikationer, der følger med denne maskine. Forsømmelse af at overholde alle nedenstående instruktioner kan medføre elektrisk stød, brand og/eller alvorlig personskade.

### Gem alle advarsler og instruktioner til fremtidig reference.

Ordet "el-værktøj" i advarslerne henviser til det netforsyede (netledning) el-værktøj eller batteriforsyede (akku) el-værktøj.

### Sikkerhedsadvarsler for akku græsklipper

#### Generelle instruktioner

1. **For at sikre korrekt anvendelse skal brugeren læse denne brugsanvisning for at gøre sig bekendt med håndteringen af udstyret.** Brugere, som er utilstrækkeligt informeret, risikerer at udsætte sig selv og andre for fare på grund af forkert håndtering.
2. **Lad aldrig børn, personer med reducerede fysiske, motoriske eller mentale færdigheder eller manglende erfaring og viden eller personer, der ikke er bekendt med disse instruktioner, anvende maskinen.** Lokale regulativer begrænser muligvis operatørens alder.
3. **Anvend udstyret med den største forsigtighed og opmærksomhed.**
4. **Brug kun udstyret, hvis du er i god fysisk form.** Udfør alt arbejde roligt og omhyggeligt. Anvend sund fornuft, og husk, at operatøren eller brugeren er ansvarlig for ulykker eller farlige situationer, der opstår for andre personer eller deres ejendom.

5. Anvend aldrig maskinen, når der er personer, især børn, eller kæledyr i nærheden.
6. Sluk straks for motoren, hvis udstyret viser problemer eller unormale tegn.
7. Sluk for og fjern akkuen, når du hviler dig, og når du lader udstyret ligge uden opsyn, og placer det på et sikkert sted for at undgå fare for andre eller beskadigelse af udstyret.
8. Undgå at bruge maskinen i dårligt vejr, især hvis der er risiko for lynnedslag.
8. Inspicer skæreværktøjet for beskadigelse med korte regelmæssige mellemrum (registrer fine revner ved en slå-og-lytte-test).
9. Skæreværktøjet skal have nået fuld arbejdshastighed, før du begynder klipningen.
10. Skæreværktøjet skal være udstyret med den passende beskyttelsesskærm. Lad aldrig udstyret køre med beskadigede beskyttelsesskærme, eller hvis beskyttelsesskærmene ikke sidder på plads!

#### Personligt beskyttelsesudstyr

1. Bær til enhver tid øjebeskyttelse og solide sko, når du betjener maskinen.
2. Bær altid solidt fodtøj og lange bukser, når du betjener maskinen.

#### Start af udstyret

1. Se efter, at der ikke er børn eller andre personer i nærheden, og vær også opmærksom på dyr i nærheden af arbejdsområdet. Ellers skal du holde op med at bruge udstyret.
2. Kontroller altid før brug, at det er sikkert at bruge udstyret. Kontroller sikkerheden af skæreværktøjet og beskyttelsesskærmen samt afbryderknappen/håndtaget for nem og korrekt brug. Kontroller, at håndtagene er rene og tørre, og test start/stopknappens funktion.
3. Se efter beskadigede dele, før udstyret bruges igen. En beskyttelsesskærm eller anden del, der er beskadiget, skal kontrolleres omhyggeligt for at finde ud af, om den fungerer korrekt og udfører dens tilsigtede funktion. Se efter justering af bevægelige dele, binding af bevægelige dele, dele, som er gået i stykker, montering og andre forhold, der kan påvirke deres funktion. En beskyttelsesskærm eller anden del, der er beskadiget, skal repareres eller udskiftes af vores autoriserede servicecenter, medmindre andet fremgår andetsteds i denne brugervejledning.
4. Tænd kun for motoren, når hænder og fødder er på afstand af skæreværktøjet.
5. Kontroller før starten, at skæreværktøjet ikke er i kontakt med andre genstande.

#### Anvendelsesmetode

1. Brug kun udstyret i god belysning og sigtbarhed. Om vinteren skal du være opmærksom på glatte eller våde områder, is og sne (risiko for at glide). Sørg altid for at have sikkert fodfæste på skråninger, og sørg for at gå, aldrig løbe.
2. Pas på personskade på fødder og hænder fra skæreværktøjet.
3. Stå aldrig på en stige, når du bruger udstyret.
4. Kravl aldrig op i træer for at foretage en skæring med udstyret.
5. Arbejd aldrig på ustabile overflader.
6. Fjern sand, sten, søm osv. fra arbejdsområdet. Fremmedpartikler kan beskadige skæreværktøjet og kan forårsage farlige tilbageslag.
7. Hvis skæreværktøjet rammer sten eller andre hårde genstande, skal du med det samme slukke for motoren og kontrollere skæreværktøjet.

11. Alle de beskyttelsesmonteringer og beskyttelsesskærme, der leveres med udstyret, skal anvendes under brugen.
12. Fjern altid akkuen fra udstyret:
  - når udstyret efterlades uden opsyn,
  - før du fjerner en hindring,
  - før du efterser, rengør eller arbejder på udstyret,
  - efter at du har ramt et fremmedlegeme,
  - når udstyret begynder at vibrere unormalt.
13. Sørg altid for, at ventilationsåbningerne holdes fri for rester.
14. De skærende dele fortsætter med at rotere, efter at der er slukket for motoren.
15. Hvis klingerne holder op med at bevæge sig under brugen på grund af fremmedlegemer, der sidder fast mellem klingerne, skal du slukke for maskinen og fjerne akkuen og derefter fjerne fremmedlegemerne ved hjælp af redskaber som f.eks. en tang. Hvis du fjerner fremmedlegemerne i hånden, kan det medføre personskade, da klingerne kan bevæge sig som reaktion på fjernelsen af fremmedlegemerne.

#### Skæreværktøjer

Anvend kun det korrekte skæreværktøj til det arbejde, der udføres.

#### Vedligeholdelsesinstruktioner

1. Tilstanden af udstyret, især skæreværktøjet og beskyttelsesenhederne, skal kontrolleres, før arbejdet påbegyndes.
2. Sluk for motoren, og fjern akkuen, før du udfører vedligeholdelse, udskifter skæreværktøjer eller rengør udstyret eller skæreværktøjet.
3. Når udstyret ikke er i brug, skal det opbevares indendørs på et tørt og højtliggende eller aflåst sted, der er utilgængeligt for børn. Rengør og vedligehold før opbevaring.

## GEM DENNE BRUGSANVISNING.

**⚠ ADVARSEL:** LAD IKKE bekvemmelighed eller kendskab til produktet (opnået gennem gentagen brug) forhindre, at sikkerhedsforskrifterne for produktet nøje overholdes. MISBRUG eller forsømmelse af at følge de i denne brugervejledning givne sikkerhedsforskrifter kan føre til, at De kommer alvorligt til skade.



## Sikkerhedsadvarsler for akku hæktrimmer

1. **Hold alle dele af kroppen væk fra klingen. Undlad at fjerne afskåret materiale eller at holde materiale, der skal skæres, når klingerne bevæger sig.** Klinger fortsætter med at rotere, efter at afbryderen er slået fra. Ved brug af hæktrimmeren kan ét øjeblik uopmærksomhed medføre alvorlig personskade.
2. **Bær hæktrimmeren i håndtaget med klingen stoppet og pas på ikke at betjene nogen tænd/sluk-knap.** Korrekt bæring af hæktrimmeren reducerer risikoen for utilsigtet start og medfølgende personskade fra klingerne.
3. **Ved transport eller opbevaring af hæktrimmeren skal klingedækslet altid sættes på.** Korrekt håndtering af hæktrimmeren reducerer risikoen for personskade fra klingerne.
4. **Når der fjernes fastklemt materiale, eller enheden serviceres, skal du sørge for at alle tænd/sluk-knapper er slukket, og at akkuen er fjernet eller afbrudt.** Uventet aktivering af hæktrimmeren, mens der fjernes fastklemt materiale eller udføres service, kan muligvis resultere i personskade.
5. **Hold altid kun i hæktrimmeren i de isolerede grebflader, da klingerne muligvis kan komme i berøring med skjulte ledninger.** Hvis klinger kommer i kontakt med en strømførende ledning, kan udsatte metaldele på hæktrimmeren blive strømførende, hvorved operatøren kan få elektrisk stød.
6. **Hold alle netledninger væk fra skærområdet.** Netledninger eller kabler kan muligvis være skjult i hække eller buske og kan ved et uheld skæres over af klingerne.
7. **Brug ikke hæktrimmeren i dårligt vejr, især hvis der er risiko for lynnedslag.** Dette reducerer risikoen for, at du rammes af lynnedslag.

## Yderligere sikkerhedsinstruktioner

### Forberedelse

1. **Kontrollér hækken og buskene for fremmedlegemer som f.eks. trådhegn eller skjulte ledninger, før maskinen anvendes.**
2. **Maskinen må ikke anvendes af børn eller unge på under 18 år.** Unge på over 16 år er muligvis undtaget fra denne begrænsning, hvis de er under oplæring under opsyn af en ekspert.
3. **Førstegangsbrugere bør få en erfaren bruger til at vise dem, hvordan man bruger maskinen.**
4. **Brug kun maskinen, hvis du er i god fysisk form.** Hvis du er træt, vil din opmærksomhed være reduceret. Vær særligt opmærksom sidst på arbejdsdagen. Udfør alt arbejde roligt og omhyggeligt. Brugeren er ansvarlig for enhver skade på tredjepart.
5. **Brug aldrig maskinen under indflydelse af alkohol, narkotika eller medicin.**
6. **Arbejdshandsker af solidt læder er en del af det grundlæggende udstyr til maskinen og skal altid bæres, når du arbejder med den.** Bær også solide sko med skridsikre såler.

7. **Før du påbegynder arbejdet, skal du kontrollere, at maskinen er i god og sikker arbejdstilstand.** Kontroller, at beskyttelsesskærme er monteret korrekt. Maskinen må ikke anvendes, medmindre den er fuldt samlet.

### Drift

1. **Hold godt fast i maskinen, når maskinen anvendes.**
2. **Maskinen er kun beregnet til brug af operatøren i jordhøjde.** Benyt ikke maskinen på stiger eller noget andet ustabil underlag.
3. **Bær ikke flere bæsteseler og/eller skuldreseler på samme tid under betjening af maskinen.**
4. **FARE - Hold hænderne på afstand af klingerne.** Kontakt med klingerne vil medføre alvorlig personskade.
5. **Brug ikke maskinen i regnvejr eller under våde eller meget fugtige forhold.** Den elektriske motor er ikke vandtæt.
6. **Sørg for at have solidt fodfæste, før du starter brugen.**
7. **Betjen ikke maskinen unødigt uden belastning.**
8. **Sluk med det samme for maskinen, og fjern akkuen, hvis klingerne kommer i kontakt med et hegn eller en anden hård genstand.** Kontroller klingerne for beskadigelse, og udskift klingerne med det samme, hvis de er beskadiget.
9. **Før du kontrollerer klingerne, udbedr fejl eller fjerner materiale, der sidder fast i klingerne, skal du altid slukke for maskinen og fjerne akkuen.**
10. **Ret aldrig klingerne mod dig selv eller andre.**
11. **Hvis klingerne holder op med at bevæge sig under brugen på grund af fremmedlegemer, der sidder fast mellem klingerne, skal du slukke for maskinen og fjerne akkuen og derefter fjerne fremmedlegemerne ved hjælp af redskaber som f.eks. en tang.** Hvis du fjerner fremmedlegemerne i hånden, kan det medføre personskade, da klingerne kan bevæge sig som reaktion på fjernelsen af fremmedlegemerne.
12. **Undgå farlige miljøer.** Brug ikke maskinen på fugtige eller våde steder, og udsæt den ikke for regn. Hvis der kommer vand ind i maskinen, forøger det risikoen for elektrisk stød.

### Vedligeholdelse og opbevaring

1. **Sluk for maskinen, og fjern akkuen, før du udfører vedligeholdelsesarbejde.**
2. **Når maskinen flyttes til et andet sted, herunder under arbejde, skal du altid fjerne akkuen og sætte klingedækslet på klingerne.** Du må aldrig bære eller transportere maskinen, mens klingerne kører. Tag aldrig fat i klingerne med hænderne.
3. **Rengør maskinen og især klingerne efter brug, og før maskinen lægges til opbevaring i længere tid.** Smør klingerne let, og sæt klingedækslet på.
4. **Opbevar maskinen med klingedækslet på i et tørt værelse.** Hold den utilgængelig for børn. Opbevar aldrig maskinen uendørs.
5. **Undlad at kaste batterierne i åben ild.** Celler kan eksplodere. Tjek de lokale regler for eventuelle særlige instruktioner vedrørende bortskaffelse.

- Undlad at åbne eller mishandle batterierne. Lækket elektrolyt er ætsende og kan medføre skader på øjnene eller huden. Den kan være giftig, hvis den indtages.
- Undlad at oplade batteriet i regnvejr eller under våde forhold.

## GEM DENNE BRUGSANVISNING.

**⚠ ADVARSEL:** LAD IKKE bekvemmelighed eller kendskab til produktet (opnået gennem gentagen brug) forhindre, at sikkerhedsforskrifterne for produktet nøje overholdes. MISBRUG eller forsømmelse af at følge de i denne brugsvejledning givne sikkerhedsforskrifter kan føre til, at De kommer alvorligt til skade.

### Vigtige sikkerhedsinstruktioner for akkuen

- Læs alle instruktioner og advarselsmærkater på (1) akku-opladeren, (2) akkuen og (3) produktet, som anvender akku.
- Adskill eller ændr ikke akkuen. Det kan muligvis resultere i en brand, overdreven varme eller eksplosion.
- Hold straks op med anvendelsen, hvis brugstiden er blevet stærkt afkortet. Fortsat anvendelse kan resultere i risiko for overophedning, forbrændinger og endog eksplosion.
- Hvis De har fået elektrolytvæske i øjnene, skal De straks skylle den ud med rent vand og derefter øjeblikkeligt søge lægehjælp. I modsat fald kan De miste synet.
- Vær påpasselig med ikke at komme til at kortslutte akkuen:
  - Rør ikke ved terminalerne med noget ledende materiale.
  - Undgå at opbevare akkuen i en beholder sammen med andre genstande af metal, for eksempel søm, mønter og lignende.
  - Udsæt ikke akkuen for vand eller regn. Kortslutning af akkuen kan forårsage en kraftig øgning af strømmen, overophedning, mulige forbrændinger og endog værktøjstopt.
- Opbevar og brug ikke maskinen og akkuen på steder, hvor temperaturen muligvis kan nå eller overstige 50 °C.
- Lad være med at brænde akkuen, selv ikke i tilfælde, hvor den har lidt alvorlig skade eller er fuldstændig udtjent. Akkuen kan eksplodere, hvis man forsøger at brænde den.
- Slå ikke søm i, skær ikke i, knus, kast, tab ikke akkuen og stød ikke akkuen mod en hård genstand. Sådant adfærd kan muligvis resultere i en brand, overdreven varme eller eksplosion.
- Anvend ikke en beskadiget akku.
- De indbyggede litium-ion-batterier er underlagt lovkrav vedrørende farligt gods. Ved kommerciel transport, f.eks. af tredjeparts transportselskaber, skal særlige krav til forpakning og mærkning overholdes. Ved forberedelse af udstyret til forsendelse skal du kontakte en ekspert i farligt gods. Overhold også eventuel mere detaljeret national lovgivning. Tape eller tildæk åbne kontakter, og pak batteriet på en måde, så det ikke kan flytte sig rundt i pakningen.

- Når akkuen bortscaffes, skal du fjerne den fra maskinen og bortscaffe den på et sikkert sted. Følg de lokale love vedrørende bortscaffelsen af batterier.
- Brug kun batterierne med de produkter, som Makita specificerer. Hvis batterierne installeres i ikke-kompatible produkter, kan det medføre brand, kraftig varme, eksplosion eller udsivning af elektrolyt.
- Hvis maskinen ikke skal bruges i længere tid ad gangen, skal du fjerne batteriet fra maskinen.
- Akkuen kan muligvis under og efter brug være varm, hvilket kan forårsage forbrændinger eller lavtemperaturforbrændinger. Vær påpasselig med håndtering af varme akkuer.
- Rør ikke terminalen på maskinen straks efter brug, da den bliver varm nok til at forårsage forbrændinger.
- Sørg for at spåner, støv eller jord ikke sætter sig fast inde i terminalerne, hullerne og rillerne på akkuen. Det kan muligvis medføre dårlig ydelse eller nedbrud af maskinen eller akkuen.
- Medmindre maskinen understøtter brugen i nærheden af elektriske højspændingsledninger, skal du ikke anvende akkuen i nærheden af elektriske højspændingsledninger. Det kan muligvis medføre funktionsfejl på eller nedbrud af maskinen eller akkuen.
- Opbevar batteriet utilgængeligt for børn.

## GEM DENNE BRUGSANVISNING.

**⚠ FORSIGTIG:** Brug kun originale batterier fra Makita. Brug af uoriginale Makita-batterier, eller batterier som er blevet ændret, kan muligvis medføre brud på batteriet, hvilket kan forårsage brand, personskade eller beskadigelse. Det ugyldiggør også Makita-garantien for Makita-maskinen og opladeren.

### Tips til opnåelse af maksimal akku-levetid

- Oplad akkuen, inden den er helt afladet. Stop altid værktøjet, og oplad akkuen, hvis De bemærker, at værktøjeffekten er aftagende.
- Genoplad aldrig en fuldt opladet akku. Overopladning vil afkorte akkuens levetid.
- Oplad akkuen ved stuetemperatur ved 10 °C - 40 °C. Lad altid en varm akku få tid til at køle af, inden den oplades.
- Når du ikke anvender akkuen, skal du fjerne den fra maskinen eller opladeren.
- Oplad akkuen, hvis De ikke skal bruge den i længere tid (mere end seks måneder).

# FUNKTIONSBESKRIVELSE

**⚠️FORSIGTIG:** Sørg altid for at maskinen er slukket, og at akkuen er taget ud, før der udføres justering eller kontrol af funktioner på maskinen.

## Brug af maskinen som akku hækketrimmer

Denne maskine kan også bruges som akku hækketrimmer ved at montere klingerne til hækketrimmeren.

## Isætning eller fjernelse af akkuen

**⚠️FORSIGTIG:** Sluk altid for værktøjet, før De monterer eller fjerner akkuen.

**⚠️FORSIGTIG:** Hold værktøjet og akkuen fast ved montering eller fjernelse af akkuen. Hvis De ikke holder værktøjet og akkuen fast, kan de glide ud af hænderne på Dem og forårsage beskadigelse af værktøjet og akkuen eller personskaade.

► **Fig.1:** 1. Rød indikator 2. Knap 3. Akku

Akkuen fjernes ved, at De trækker den ud af værktøjet, idet De skyder knappen på forsiden af akkuen i stilling.

For at montere akkuen skal du justere tungen på akkuen med rillen i huset og skubbe den på plads. Indsæt den hele vejen, indtil den låses på plads med et lille klik. Hvis du kan se den røde indikator, som vist i figuren, er den ikke helt låst.

**⚠️FORSIGTIG:** Monter altid akkuen helt, indtil den røde indikator ikke længere er synlig. Hvis dette ikke gøres, kan den falde ud af værktøjet ved et uheld, hvorved De selv eller personer i nærheden kan komme til skade.

**⚠️FORSIGTIG:** Brug ikke magt ved montering af akkuen. Hvis akkuen ikke glider på plads uden problemer, betyder det, at den ikke sættes i på korrekt vis.

## Beskyttelsessystem til værktøj/batteri

Maskinen er udstyret med et beskyttelsessystem til maskinen/batteriet. Dette system afbryder automatisk strømmen til motoren for at forlænge maskinens og batteriets levetid. Maskinen stopper automatisk under brugen, hvis maskinen eller batteriet udsættes for et af følgende forhold:

## Overbelastningsbeskyttelse

Hvis batteriet bruges på en måde, der får det til at trække en unormalt høj strøm, stopper maskinen automatisk. Sluk i så fald for maskinen, og stop den anvendelse, der medførte overbelastningen af maskinen. Tænd derefter for maskinen for at starte igen.

## Beskyttelse mod overophedning

Når batteriet bliver overophedet, stopper maskinen automatisk. Lad i så fald maskinen og batteriet køle af, før der tændes for maskinen igen.

## Beskyttelse mod overafledning

Hvis batteriladningen ikke er tilstrækkelig, stopper maskinen automatisk. Hvis du tænder for maskinen, kører motoren igen, men stopper i løbet af kort tid. Tag i så fald batteriet ud af maskinen, og lad batteriet op.

## Afbryderbetjening

**⚠️ADVARSEL:** Inden akkuen sættes i maskinen, bør De altid kontrollere, at afbryderknappen fungerer korrekt, og returnerer til "OFF"-positionen, når den slippes.

**⚠️ADVARSEL:** Af hensyn til din sikkerhed er maskinen forsynet med lås fra-knap, der forhindrer, at maskinen starter ved et uheld. Brug aldrig maskinen, hvis den starter, når du trykker på afbryderknappen uden at trykke på lås fra-knappen. Kontakt det lokale Makita servicecenter for reparation.

**⚠️ADVARSEL:** Du må aldrig deaktivere låsefunktionen eller holde lås fra-knappen nede med tape.

**BEMÆRKNING:** Undlad at trykke på afbryderknappen med magt uden at trykke på lås fra-knappen. Kontakten kan gå i stykker.

► **Fig.2:** 1. Afbryderknap 2. Lås fra-knap

For at forhindre, at afbryderknappen trykkes ind ved et uheld, er maskinen udstyret med en aflåseknap. Maskinen startes ved at trykke lås fra-knappen ned og trykke på afbryderknappen. Slip afbryderknappen for at stoppe. Lås fra-knappen kan trykkes ned fra enten højre eller venstre side.

## Indikatorlampe

Indikatorlampen blinker eller lyser, når den resterende batteriladning er lav eller tom. Indikatorlampen lyser også, når maskinen bliver overophedet.

► **Fig.3:** 1. Indikatorlampe

## Lampestatus og handling, der skal udføres

Indikatorlampe	Status	Handling, der skal udføres
Lampen blinker rødt.	Den resterende batterikapacitet er lav.	Oplad batteriet.
Lampen lyser rødt. *	Maskinen er stoppet, fordi den resterende batteriladning er tom.	Oplad batteriet.
	Maskinen er stoppet pga. overbelastning.	Sluk for maskinen.

\* Det tidspunkt, hvor indikatorlampen begynder at lyse, varierer afhængigt af temperaturen i arbejdsområdet og akkuens tilstand.

## Justering af klippehøjden (for græsklipper)

### Ekstraudstyr

**⚠FORSIGTIG:** Ved ændring af klippehøjden skal du sørge for at montere klingedækslet og være forsigtig med ikke at få fingrene i klemme mellem maskinen og græsbakken.

Klippehøjden kan indstilles til tre niveauer (15 mm, 20 mm og 25 mm) ved at ændre græsbyggens faste placering. Klippehøjden uden græsbakken er cirka 10 mm.

1. Skub græsbakken mod forenden af maskinen.

► Fig.4: 1. Græsbakke

2. Skift græsbyggens faste placering ved at flytte den i pilens retning.

► Fig.5

**BEMÆRK:** Værdien for klippehøjde er vejledende. Den faktiske klippehøjde kan variere afhængigt af forholdene i plænen og jorden.

**BEMÆRK:** Prøv en testklipping på et mindre synligt sted for at opnå den ønskede højde.

## SAMLING

**⚠FORSIGTIG:** Sørg altid for at maskinen er slukket, og at akkuen er taget ud, før der udføres noget arbejde på maskinen.

**⚠FORSIGTIG:** Ved udskiftning af klingerne skal du altid bære handsker og montere klingedækslet, så dine hænder og dit ansigt ikke kommer i direkte kontakt med klingerne.

**BEMÆRKNING:** Ved udskiftning af klingerne må du ikke aftørre fedtstof fra gearret og krumtappen.

## Montering eller afmontering af klingedækslet

**⚠FORSIGTIG:** Pas på ikke at berøre klingerne, når du monterer eller afmonterer klingedækslet.

For at fjerne klingedækslet skal du trække let i det og derefter skubbe det mod siden. Følg fremgangsmåden i omvendt rækkefølge for at montere klingedækslet.

► Fig.6

## Montering eller afmontering af græsbakken

### Ekstraudstyr

**⚠FORSIGTIG:** Ved montering eller afmontering af græsbakken skal du sørge for at montere klingedækslet og være forsigtig med ikke at få fingrene i klemme mellem maskinen og græsbakken.

## Montering af græsbakken

1. Sæt spændet på græsbakken i rillen på maskinen.

► Fig.7: 1. Spænde 2. Græsbakke

2. Juster fremspringene på græsbakken i forhold til rillerne på maskinen ved at skubbe græsbakken mod forenden af maskinen og flytte den i pilens retning.

► Fig.8

**BEMÆRKNING:** Undlad at fastgøre spændet på græsbakken på maskinen med magt, efter at du har justeret fremspringene på græsbakken i forhold til rillerne på maskinen.

## Afmontering af græsbakken

1. Frigør fremspringene på græsbakken fra rillerne på maskinen, idet græsbakken skubbes mod forenden af maskinen.

► Fig.9: 1. Græsbakke

2. Frigør spændet på græsbakken fra maskinen.



## Montering eller afmontering af klingerne til græsklipperen

**BEMÆRKNING:** Hvis andre dele end klingerne, f.eks. krumtappen, er slidt, skal du bede et autoriseret Makita-servicecenter om udskiftning af dele eller reparation.

## Afmontering af klingerne

1. Afmonter græsbakken, hvis den er monteret. Vend maskinen med bunden i vejret.

► Fig.10

2. Tryk ned på låsehåndtaget, og drej underdækslet i retningen mod uret, indtil  på underdækslet er justeret i forhold til  på låsehåndtaget.

► Fig.11: 1. Underdæksel 2. Låsehåndtag

3. Fjern underdækslet, klingerne og krumtappen.

► Fig.12: 1. Underdæksel 2. Klinger 3. Krumtap

## Montering af klingerne

1. Forbered krumtappen, underdækslet og de nye klinger.

► Fig.13: 1. Krumtap 2. Underdæksel 3. Klinger

2. Fjern klingedækslet fra de gamle klinger, og monter det derefter på de nye.

► Fig.14: 1. Klingedæksel

3. Juster de tre stifter, så de er justeret på justeringslinjen.

► Fig.15: 1. Justeringslinje

4. Smør en smule fedtstof på kanten af krumtappen. Monter krumtappen på stifterne med de små og store runde ender opad.

► Fig.16: 1. Krumtap



5. Juster klingerne og ledepladen, så hullet i ledepladen og de to fremspring på klingerne er justeret i forhold til hinanden.

► Fig.17: 1. Ledepåse


6. Vend klingerne med bunden i vejret, og monter dem, så stifterne på maskinen passer ind i hullet på ledepladen. Sørg for, at klingerne sidder godt fast på plads.

► **Fig.18:** 1. Ledepåse

**BEMÆRK:** Hvis klingedækslet skubbes en smule fremad, er det nemmere at montere klingerne.

7. Placer underdækslet, så  på underdækslet er justeret i forhold til  på låsehåndtaget.

► **Fig.19:** 1. Underdæksel 2. Låsehåndtag

8. Tryk på underdækslet, og drej underdækslet i retningen med uret, indtil  på underdækslet er justeret i forhold til  på låsehåndtaget.

► **Fig.20:** 1. Underdæksel 2. Låsehåndtag

9. Se efter, at låsehåndtaget passer ind i rillen på underdækslet.

► **Fig.21:** 1. Låsehåndtag

**⚠FORSIGTIG:** Brug aldrig maskinen, uden at underdækslet er monteret.

10. Fjern klingedækslet, og tænd derefter for maskinen for at kontrollere, om den fungerer korrekt.

**BEMÆRKNING:** Hvis klingerne ikke fungerer korrekt, griber de ikke korrekt ind i krumtappen. Fjern klingerne, og monter dem igen.

## Montering eller afmontering af klinge til hæktrimmer



**⚠FORSIGTIG:** Monter klingedækslet, før klingerne fjernes eller monteres.

**BEMÆRKNING:** Hvis andre dele end klingerne, f.eks. krumtappen, er slidt, skal du bede et autoriseret Makita-servicecenter om udskiftning af dele eller reparation.

## Afmontering af klinger

1. Vend maskinen med bunden i vejret.

► **Fig.22**

2. Tryk ned på låsehåndtaget, og drej underdækslet i retningen mod uret, indtil  på underdækslet er justeret i forhold til  på låsehåndtaget.

► **Fig.23:** 1. Låsehåndtag 2. Underdæksel

3. Fjern underdækslet.

► **Fig.24:** 1. Underdæksel

4. Løsn to skruer med en skruetrækker, og fjern klingerne.

► **Fig.25:** 1. Skruer

**BEMÆRK:** Klingerne kan fjernes uden at fjerne skruerne.

5. Fjern krumtappen fra klingerne.

► **Fig.26:** 1. Krumtap

**BEMÆRK:** Krumtappen kan blive siddende i maskinen.

**BEMÆRK:** Monter klingedækslet og opbevaringssæcken til de fjernede klinger, og opbevar derefter klingerne.

## Montering af klinger

1. Forbered krumtappen, underdækslet og de nye klinger.

► **Fig.27:** 1. Krumtap 2. Underdæksel 3. Klinger

2. Monter klingedækslet på klingerne.

► **Fig.28:** 1. Klingedæksel

3. Juster de tre stifter, så de er justeret på justeringslinjen.

► **Fig.29:** 1. Justeringslinje

4. Smør en smule fedtstof på kanten af krumtappen. Monter krumtappen på stifterne med dens små og store runde ender nedad.

► **Fig.30:** 1. Krumtap

5. Skub klingerne, så hullet på ledepladen er placeret midt på ringene på klingerne.

► **Fig.31:** 1. Ledepåse



6. Vend klingerne med bunden i vejret, og monter dem, så stiften på maskinen passer ind i hullet på klingerne. Sæt kloen på ledepladen ind i rillen på maskinen. Sørg for, at klingerne sidder godt fast på plads.

► **Fig.32:** 1. Klo 2. Ledepåse

**BEMÆRK:** Hvis klingedækslet skubbes en smule fremad, er det nemmere at montere klingerne.

7. Stram de to skruer fast med en skruetrækker.

► **Fig.33:** 1. Skruer

8. Placer underdækslet, så  på underdækslet er justeret i forhold til  på låsehåndtaget.

► **Fig.34:** 1. Låsehåndtag 2. Underdæksel

9. Tryk på underdækslet, og drej underdækslet i retningen med uret, indtil  på underdækslet er justeret i forhold til  på låsehåndtaget.

► **Fig.35:** 1. Underdæksel

10. Se efter, at låsehåndtaget passer ind i rillen på underdækslet.

► **Fig.36:** 1. Låsehåndtag

**⚠FORSIGTIG:** Brug aldrig maskinen, uden at underdækslet er monteret.

11. Fjern klingedækslet, og tænd derefter for maskinen for at kontrollere, om maskinen fungerer korrekt.

**BEMÆRKNING:** Hvis klingerne ikke fungerer korrekt, griber de ikke korrekt ind i krumtappen. Fjern klingerne, og monter dem igen.

## Montering eller afmontering af spånbakken

### Ekstraudstyr

**⚠FORSIGTIG:** Ved montage eller afmontering af spånbakken skal du altid bære handsker og montere klingedækslet, så dine hænder og dit ansigt ikke kommer i direkte kontakt med klingerne.

Spånbakken opsamler fraskårne blade og gør den efterfølgende rengøring meget lettere. Den kan monteres på begge sider af maskinen.

For at montere spånbakken skal du trykke den mod klingerne, så krogene passer ind i hullerne på klingerne.

► **Fig.37:** 1. Kroge 2. Huller

For at afmontere spånbakken skal du trykke på håndtagene i begge sider for at frigøre krogene.

► **Fig.38:** 1. Håndtag

**BEMÆRKNING:** Forsøg aldrig at fjerne spånbakken ved at udøve voldsom magt, når krogene er låst ind i hullerne i klingerne.

## ANVENDELSE

**⚠ADVARSEL:** Før klipning skal du fjerne grene og sten fra klipningsområdet. Fjern desuden eventuelt ukrudt fra klipningsområdet, før du går i gang.

► **Fig.39**

**⚠ADVARSEL:** Hold hænderne på afstand af klinger.

**⚠FORSIGTIG:** Undgå så vidt muligt at anvende maskinen i meget varmt vejr. Vær opmærksom på din fysiske tilstand, når du anvender maskinen.

## Klipning (for græsklipper)

Tænd for maskinen efter at have justeret klippehøjden, og hold den, så maskinens bund hviler mod jorden. Flyt forsigtigt maskinen fremad.

► **Fig.40**

Ved klipning omkring kantsten, hegn eller træer skal du flytte maskinen langs med dem. Sørg for, at klingerne ikke kommer i kontakt med dem.

► **Fig.41**

Ved klipning af småkviste eller blade på et lille træ skal du beskære en smule ad gangen.

► **Fig.42**

Beskær større grene til den ønskede højde ved hjælp af en grensaks, før du bruger denne maskine.

**BEMÆRKNING:** Brug ikke maskinen på en måde, der får motoren til at gå i stå eller dreje meget langsomt.

**BEMÆRKNING:** Forsøg ikke at skære tykke grene.

**BEMÆRKNING:** Lad ikke klingerne komme i kontakt med jorden under brug. Klingerne bliver sløve, hvilket medfører dårlig ydeevne.

**BEMÆRKNING:** Undlad at klippe vådt græs eller blade på små træer.

## Klipning af en lang græsplæne

Forsøg ikke at klippe langt græs på én gang. Klip i stedet græsplænen i flere trin. Lad der gå en dag eller to mellem klipningerne, indtil græsplænen er lige kort over det hele.

► **Fig.43**

**BEMÆRK:** Hvis langt græs klippes til en kort længde på én gang, kan det få græsset til at gå ud.

## Trimning (for hæktrimmer)

**⚠FORSIGTIG:** Vær forsigtig med ikke at ramme et metalhegn eller andre hårde genstande ved et uheld under trimningen. Klingerne kan gå i stykker og forårsage personskade.

**⚠FORSIGTIG:** Vær forsigtig med ikke at lade klingerne komme i kontakt med jorden. Maskinen kan slå tilbage og forårsage personskade.

**⚠FORSIGTIG:** Det er ekstremt farligt at strække sig for langt med en hæktrimmer, især fra en stige. Undlad at arbejde, mens du står på en ustabil eller usikker platform.

**BEMÆRKNING:** Forsøg ikke at klippe grene, der er tykkere end 10 mm i diameter, med maskinen. Beskær grene til 10 cm under skærehøjden ved hjælp af en grensaks, før du bruger denne maskine.

► **Fig.44:** (1) Skærehøjde (2) 10 cm

**BEMÆRKNING:** Undlad at beskære døde træer eller lignende hårde genstande. Hvis du gør dette, kan det beskadige maskinen.

**BEMÆRKNING:** Undlad at trimme græs eller ukrudt, mens du bruger klingerne. Klingerne kan blive viklet ind i græsset eller ukrudtet.

Hold maskinen i den ene hånd, tryk på afbryderknappen, mens der trykkes på lås fra-knappen, og flyt den derefter fremad.

► **Fig.45**

Ved almindelig brug skal du vippe klingerne i trimningsretningen og flytte den roligt og langsomt med en hastighed på 3 til 4 sekunder pr. meter.

► **Fig.46**

Hvis du hænger en snor i den ønskede højde og trimmer langs den, kan det hjælpe dig med at klippe toppen af hækken jævnt.

► **Fig.47**

Hvis spånbakken er monteret på klingerne, opsamler den bortskårne blade og gør den efterfølgende rengøring meget lettere.

For at klippe siden af en hæk jævnt skal du klippe fra bunden mod toppen.

► Fig.48

Ved beskæring for at opnå en rund form (trimning af buksmod eller rododendron osv.) skal du trimme fra roden mod toppen for at opnå en flot finish.

► Fig.49

## VEDLIGEHOLEDSE

**⚠FORSIGTIG:** Vær altid sikker på, at værktøjet er slukket, og at akkuen er taget ud, inden De begynder at udføre inspektion eller vedligeholdelse.

For at opretholde produktets SIKKERHED og PALIDELIGHED må reparation, vedligeholdelse eller justering kun udføres af et autoriseret Makita servicecenter eller fabriksservicecenter med anvendelse af Makita reservedele.

## Rengøring af maskinen

Rengør maskinen ved at aftørre støv med en tør klud eller en klud, der er dyppet i sæbevand og vredet.

**BEMÆRKNING:** Anvend aldrig benzin, rensebenzin, fortynder, alkohol og lignende. Det kan medføre misfarvning, deformering eller revner.

## Vedligeholdelse af klinger

Før brugen eller én gang i timen under brug skal du smøre olie med lav viskositet (maskinolie eller smøreolie af spraytypen) på klingerne.

► Fig.50

► Fig.51

Efter brugen skal du fjerne støv fra begge sider af klingerne med en trådbørste, tørre dem af med en klud og derefter smøre olie med lav viskositet (maskinolie eller smøreolie af spraytypen) på klingerne.

► Fig.52

► Fig.53

**BEMÆRKNING:** Undgå at vaske klingerne i vand. Dette kan medføre rust eller beskadigelse af maskinen.

**BEMÆRKNING:** Snavs og rust medfører kraftig klingefriktion og forkorter driftstiden mellem batteriopladninger.

## Opbevaring

Krogullet i bunden af maskinen er praktisk til at hænge maskinen på et søm eller en skrue i væggen.

Monter klingedækslet på klingerne, så klingerne ikke er blottet. Opbevar maskinen utilgængeligt for børn.

Opbevar maskinen på et sted, der ikke er udsat for fugt eller regn.

► Fig.54: 1. Hul

► Fig.55: 1. Hul

## EKSTRAUDSTYR

**⚠FORSIGTIG:** Det følgende tilbehør og ekstraudstyr er anbefalet til brug med Deres Makita maskine, der er beskrevet i denne brugsanvisning. Anvendelse af andet tilbehør eller ekstraudstyr kan udgøre en risiko for personskaade. Anvend kun tilbehør og ekstraudstyr til det beskrevne formål.

Hvis De behøver hjælp ved valg af tilbehør eller ønsker yderligere informationer, bedes De kontakte Deres lokale Makita servicecenter.

- Klingemontering (til brug som græsklipper)
- Dæksel til klinge (til brug som græsklipper)
- Græsbakke (til brug som græsklipper)
- Tilbehør til langt håndtag (til brug som græsklipper)
- Klingemontering (til brug som hækketrimmer)
- Dæksel til klinge (til brug som hækketrimmer)
- Spånbakke (til brug som hækketrimmer)
- Opbevaringsæske
- Original Makita akku og oplader

**BEMÆRK:** Nogle ting på denne liste kan være inkluderet i værktøjspakken som standardtilbehør. Det kan være forskellige fra land til land.

## ΠΡΟΔΙΑΓΡΑΦΕΣ

<b>Μοντέλο:</b>	<b>UM110D</b>	
Πλάτος κοπής	110 mm	
Διαδρομές ανά λεπτό	2.500 min <sup>-1</sup>	
Αριθμός εξαρτήματος των ανταλλακτικών λαμίων κουρευτικού	Κουρευτικό γκαζόν	191N23-4, 195267-4
	Ψαλίδι μπροντούρας	191N24-2, 198408-1
Διαστάσεις (Μ x Π x Υ)	331 mm x 120 mm x 130 mm	
Ονομαστική τάση	D.C. 18 V	
Καθαρό βάρος	1,4 kg - 1,5 kg	

- Λόγω του συνεχιζόμενου προγράμματος έρευνας και ανάπτυξης, οι προδιαγραφές αυτές υπόκεινται σε αλλαγές χωρίς προειδοποίηση.
- Οι προδιαγραφές και η κασέτα μπαταριών μπορεί να διαφέρουν ανάλογα με τη χώρα.
- Το βάρος μπορεί να διαφέρει ανάλογα με τα προσαρτήματα, συμπεριλαμβάνοντας την κασέτα μπαταριών. Ο ελαφρύτερος και ο βαρύτερος συνδυασμός, σύμφωνα με τη διαδικασία ΕΡΤΑ 01/2014, παρουσιάζονται στον πίνακα.

## Ισχύουσα κασέτα μπαταριών και φορτιστής







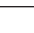
Κασέτα μπαταρίας	BL1813G / BL1815G
Φορτιστής	DC18WA

- Ορισμένες από τις κασέτες και τους φορτιστές μπαταριών που αναγράφονται παραπάνω ίσως να μην είναι διαθέσιμοι, ανάλογα με την τοποθεσία κατοικίας σας.

**⚠ ΠΡΟΕΙΔΟΠΟΙΗΣΗ:** Να χρησιμοποιείτε μόνο τις κασέτες μπαταριών και τους φορτιστές που παρατίθενται ανωτέρω. Η χρήση οποιασδήποτε άλλης κασέτας μπαταριών ή φορτιστή μπορεί να προκαλέσει τραυματισμό ή/και πυρκαγιά.

## Σύμβολα

Παρακάτω παρουσιάζονται τα σύμβολα που μπορούν να χρησιμοποιηθούν για τον εξοπλισμό. Βεβαιωθείτε ότι κατανοείτε τη σημασία τους πριν από τη χρήση.

	Απαιτούνται ιδιαίτερη φροντίδα και προσοχή.
	Διαβάστε το εγχειρίδιο οδηγιών.
	Κίνδυνος. Να προσέχετε για εκτοξευόμενα αντικείμενα.
	Να απομακρύνετε τυχόν παρευρισκόμενους.
	Τα κοπτικά μέσα συνεχίζουν να λειτουργούν μετά την απενεργοποίηση του μοτέρ.
	Μην εκθέτετε σε υγρασία.
	Φοράτε γυαλιά ασφαλείας.
	
	
	
	ΚΙΝΔΥΝΟΣ - Κρατήστε τα χέρια μακριά από τη λάμα.



Μόνο για τις χώρες της ΕΕ  
Λόγω της παρουσίας των επικίνδυνων συστατικών μερών στον εξοπλισμό, ο απόβλητος ηλεκτρικός και ηλεκτρονικός εξοπλισμός, οι συσσωρευτές και οι μπαταρίες μπορεί να έχουν αρνητική επίδραση στο περιβάλλον και την ανθρώπινη υγεία. Μην απορρίπτετε τις ηλεκτρικές και ηλεκτρονικές συσκευές ή μπαταρίες μαζί με τα οικιακά απορρίμματα!

Σύμφωνα με την Ευρωπαϊκή Οδηγία για τον απόβλητο ηλεκτρικό και ηλεκτρονικό εξοπλισμό και για τους συσσωρευτές και μπαταρίες και τους απόβλητους συσσωρευτές και μπαταρίες, καθώς και την προσαρμογή τους στην εθνική νομοθεσία, ο απόβλητος ηλεκτρικός εξοπλισμός, οι μπαταρίες και οι συσσωρευτές θα πρέπει να αποθηκεύονται ξεχωριστά και να παραδίδονται σε ξεχωριστό σημείο συλλογής για δημοτικά απόβλητα, το οποίο λειτουργεί σύμφωνα με τους κανονισμούς για την προστασία του περιβάλλοντος. Αυτό υποδεικνύεται από το σύμβολο του διαγραμμένου τροχοφόρου κάδου που βρίσκεται ανατρημένο επάνω στον εξοπλισμό.



Εγγυημένη στάθμη ηχητικής ισχύος σύμφωνα με την Οδηγία της ΕΕ για την εκπομπή θορύβου σε εξωτερικούς χώρους.



Στάθμη ηχητικής ισχύος σύμφωνα με τον Κανονισμό ελέγχου θορύβου της Νέας Νότιας Ουαλίας της Αυστραλίας

## Προοριζόμενη χρήση

Το εργαλείο προορίζεται για το κούρεμα παρυφών γκαζόν ή βλαστών.



## Θόρυβος

Το τυπικό Α επίπεδο καταμετρημένου θορύβου καθορίζεται σύμφωνα με το EN50636-2-94:

### UM110D με εγκατεστημένη λάμα κουρευτικού για κουρευτικό γκαζόν

Στάθμη ηχητικής πίεσης ( $L_{pA}$ ): 70 dB (A)  
Αβεβαιότητα (K): 1,9 dB (A)

Η ένταση θορύβου υπό συνθήκες εργασίας μπορεί να υπερβεί τα 80 dB (A).

Το τυπικό Α επίπεδο καταμετρημένου θορύβου καθορίζεται σύμφωνα με το EN62841-4-2:

### UM110D με εγκατεστημένη λάμα κουρευτικού για ψαλίδι μπροντούρας

Στάθμη ηχητικής πίεσης ( $L_{pA}$ ): 70 dB (A)  
Αβεβαιότητα (K): 3 dB (A)

Η ένταση θορύβου υπό συνθήκες εργασίας μπορεί να υπερβεί τα 80 dB (A).

**ΠΑΡΑΤΗΡΗΣΗ:** Η δηλωμένη τιμή(ές) εκπομπής θορύβου έχει μετρηθεί σύμφωνα με την πρότυπη μέθοδο δοκιμής και μπορεί να χρησιμοποιηθεί για τη σύγκριση ενός εργαλείου με κάποιο άλλο.

**ΠΑΡΑΤΗΡΗΣΗ:** Η δηλωμένη τιμή(ές) εκπομπής θορύβου μπορεί να χρησιμοποιηθεί και στην προκαταρκτική αξιολόγηση της έκθεσης.

**ΠΡΟΕΙΔΟΠΟΙΗΣΗ:** Να φοράτε ωτοασπίδες.

**ΠΡΟΕΙΔΟΠΟΙΗΣΗ:** Η εκπομπή θορύβου κατά τη χρήση του ηλεκτρικού εργαλείου σε πραγματικές συνθήκες μπορεί να διαφέρει από τη δηλωμένη τιμή(ές) ανάλογα με τους τρόπους χρήσης του εργαλείου, ιδιαίτερα το είδος του τεμαχίου εργασίας που υπόκειται επεξεργασία.

**ΠΡΟΕΙΔΟΠΟΙΗΣΗ:** Φροντίστε να λάβετε τα κατάλληλα μέτρα προστασίας του χειριστή βάσει ενός υπολογισμού της έκθεσης σε πραγματικές συνθήκες χρήσης (λαμβάνοντας υπόψη όλες τις συνιστώσες του κύκλου λειτουργίας όπως τους χρόνους που το εργαλείο είναι εκτός λειτουργίας και όταν βρίσκεται σε αδρανή λειτουργία πέραν του χρόνου ενεργοποίησης).

## Κραδασμός

Η ολική τιμή δόνησης (άθροισμα τρι-αξονικού διανύσματος) καθορίζεται σύμφωνα με το EN50636-2-94:

### UM110D με εγκατεστημένη λάμα κουρευτικού για κουρευτικό γκαζόν

Εκπομπή δόνησης ( $a_{h1}$ ): 2,5 m/s<sup>2</sup> ή λιγότερο  
Αβεβαιότητα (K): 1,5 m/s<sup>2</sup>

Η ολική τιμή δόνησης (άθροισμα τρι-αξονικού διανύσματος) καθορίζεται σύμφωνα με το EN62841-4-2:

### UM110D με εγκατεστημένη λάμα κουρευτικού για ψαλίδι μπροντούρας

Εκπομπή δόνησης ( $a_{h1}$ ): 2,5 m/s<sup>2</sup> ή λιγότερο  
Αβεβαιότητα (K): 1,5 m/s<sup>2</sup>

**ΠΑΡΑΤΗΡΗΣΗ:** Η δηλωμένη τιμή(ές) συνολικών κραδασμών έχει μετρηθεί σύμφωνα με την πρότυπη μέθοδο δοκιμής και μπορεί να χρησιμοποιηθεί για τη σύγκριση ενός εργαλείου με κάποιο άλλο.

**ΠΑΡΑΤΗΡΗΣΗ:** Η δηλωμένη τιμή(ές) συνολικών κραδασμών μπορεί να χρησιμοποιηθεί και στην προκαταρκτική αξιολόγηση της έκθεσης.

**ΠΡΟΕΙΔΟΠΟΙΗΣΗ:** Η εκπομπή κραδασμών κατά τη χρήση του ηλεκτρικού εργαλείου σε πραγματικές συνθήκες μπορεί να διαφέρει από τη δηλωμένη τιμή(ές) εκπομπής ανάλογα με τους τρόπους χρήσης του εργαλείου, ιδιαίτερα το είδος του τεμαχίου εργασίας που υπόκειται επεξεργασία.

**ΠΡΟΕΙΔΟΠΟΙΗΣΗ:** Φροντίστε να λάβετε τα κατάλληλα μέτρα προστασίας του χειριστή βάσει ενός υπολογισμού της έκθεσης σε πραγματικές συνθήκες χρήσης (λαμβάνοντας υπόψη όλες τις συνιστώσες του κύκλου λειτουργίας όπως τους χρόνους που το εργαλείο είναι εκτός λειτουργίας και όταν βρίσκεται σε αδρανή λειτουργία πέραν του χρόνου ενεργοποίησης).

## Δήλωση συμμόρφωσης ΕΚ

*Μόνο για χώρες της Ευρώπης*

Η δήλωση συμμόρφωσης ΕΚ περιλαμβάνεται ως Παράρτημα Α στο παρόν εγχειρίδιο οδηγιών.

## ΠΡΟΕΙΔΟΠΟΙΗΣΕΙΣ ΑΣΦΑΛΕΙΑΣ

### Γενικές προειδοποιήσεις ασφαλείας για το ηλεκτρικό εργαλείο

**ΠΡΟΕΙΔΟΠΟΙΗΣΗ:** Διαβάστε όλες τις προειδοποιήσεις ασφαλείας, οδηγίες, εικονογραφήσεις και προδιαγραφές που παρέχονται με αυτό το ηλεκτρικό εργαλείο. Η μη τήρηση όλων των οδηγιών που αναγράφονται κατωτέρω μπορεί να καταλήξει σε ηλεκτροπληξία, πυρκαγιά ή/και σοβαρό τραυματισμό.

### Φυλάξτε όλες τις προειδοποιήσεις και τις οδηγίες για μελλοντική παραπομπή.

Στις προειδοποιήσεις, ο όρος «ηλεκτρικό εργαλείο» αναφέρεται σε ηλεκτρικό εργαλείο που τροφοδοτείται από την κύρια παροχή ηλεκτρικού ρεύματος (με ηλεκτρικό καλώδιο) ή σε ηλεκτρικό εργαλείο που τροφοδοτείται από μπαταρία (χωρίς ηλεκτρικό καλώδιο).

### Προειδοποιήσεις ασφαλείας για το φορητό κουρευτικό γκαζόν

Γενικές οδηγίες

1. Για να εξασφαλιστεί η σωστή λειτουργία, ο χρήστης πρέπει να διαβάσει το παρόν εγχειρίδιο οδηγιών για να εξοικειωθεί με τον χειρισμό του εξοπλισμού. Οι χρήστες οι οποίοι δεν διαθέτουν επαρκή ενημέρωση θα θέσουν σε κίνδυνο τους εαυτούς τους και τους άλλους λόγω του ακατάλληλου χειρισμού.
2. Μην επιτρέπετε ποτέ σε παιδιά, σε άτομα με μειωμένες σωματικές, αισθητήριες ή διανοητικές ικανότητες ή χωρίς πείρα και γνώσεις ή σε άτομα που δεν γνωρίζουν αυτές τις οδηγίες να χρησιμοποιούν το μηχάνημα, οι τοπικοί κανονισμοί μπορεί να περιορίζουν την ηλικία του χειριστή.

3. Να χρησιμοποιείτε τον εξοπλισμό με τη μεγαλύτερη προσοχή.
4. Να χειρίζεστε τον εξοπλισμό μόνο αν βρίσκεστε σε καλή σωματική κατάσταση. Εκτελέστε όλες τις εργασίες με ηρεμία και προσοχή. Χρησιμοποιήστε κοινή λογική και να θυμάστε ότι ο χειριστής ή ο χρήστης είναι υπεύθυνος για ατυχήματα ή κινδύνους που υφίστανται άλλα άτομα ή η ιδιοκτησία τους.
5. Μη χρησιμοποιείτε ποτέ το μηχάνημα όταν άλλα άτομα, ιδιαίτερα παιδιά ή κατοικίδια, βρίσκονται σε κοντινή απόσταση.
6. Το μοτέρ σβήνει αμέσως στην περίπτωση που ο εξοπλισμός εμφανίσει οποιοδήποτε πρόβλημα ή μη φυσιολογικό σημάδι.
7. Σβήστε και αφαιρέστε της κασέτα μπαταριών κατά την ανάπαυση και όταν παραμένει η συσκευή χωρίς επίβλεψη και τοποθετήστε τη σε ένα ασφαλή χώρο για την αποφυγή κινδύνων σε άλλους ή ζημιές στον εξοπλισμό.
8. Να αποφεύγετε τη χρήση του μηχανήματος σε κακές καιρικές συνθήκες, ιδιαίτερα όταν υπάρχει κίνδυνος για εμφάνιση κεραυνών.

#### Προσωπικός προστατευτικός εξοπλισμός

1. Να φοράτε πάντα προστατευτικά ματιών και ανθεκτικά παπούτσια όταν χειρίζεστε το μηχάνημα.
2. Κατά τη λειτουργία του μηχανήματος, να φοράτε πάντα κατάλληλα υποδήματα και μακρύ παντελόνι.

#### Εκκίνηση του εξοπλισμού

1. Φροντίστε ώστε να μην υπάρχουν παιδιά ή άλλα άτομα σε κοντινή απόσταση, επίσης δώστε προσοχή στα οποιαδήποτε ζώα μέσα στην περιοχή εργασίας. Διαφορετικά, σταματήστε τη χρήση του εξοπλισμού.
2. Πριν τη λειτουργία, να ελέγχετε πάντα ότι ο εξοπλισμός είναι ασφαλής για λειτουργία. Ελέγξτε την ασφάλεια του κοπτικού εργαλείου και του προφυλακτήρα, αλλά και τη σκανδάλη διακοπής/μοχλό για εύκολη και σωστή δράση. Ελέγξτε ότι οι λαβές είναι καθαρές και στεγνές και ελέγξτε τη λειτουργία της εκκίνησης/διακοπής.
3. Ελέγξτε τα κατεστραμμένα εξαρτήματα πριν από την περαιτέρω χρήση του εξοπλισμού. Θα πρέπει να ελέγχετε προσεκτικά τον προφυλακτήρα ή άλλα εξαρτήματα με ζημιά για να καθορίσετε αν θα λειτουργήσουν σωστά και αν θα πραγματοποιήσουν την προοριζόμενη λειτουργία τους. Ελέγξτε την ευθυγράμμιση των κινούμενων μερών, την ελεύθερη κίνηση των κινούμενων μερών, το τυχόν σπάσιμο εξαρτημάτων, τη στερέωση και οποιαδήποτε άλλη συνθήκη που ενδεχομένως να επηρεάσει τη λειτουργία του εργαλείου. Ένας προφυλακτήρας ή άλλο εξάρτημα με ζημιά θα πρέπει να επισκευαστεί ή να αντικατασταθεί σωστά σε εξουσιοδοτημένο κέντρο σέρβις εκτός αν δηλώνεται διαφορετικά στο παρόν εγχειρίδιο.
4. Να ενεργοποιείτε το μοτέρ μόνο όταν τα χέρια και τα πόδια σας είναι μακριά από το κοπτικό εργαλείο.
5. Πριν το ξεκίνημα, βεβαιωθείτε ότι το κοπτικό εργαλείο δεν βρίσκεται σε επαφή με οποιαδήποτε αντικείμενα.

#### Μέθοδος λειτουργίας

1. Χρησιμοποιήστε τον εξοπλισμό μόνο κάτω από καλό φωτισμό και ορατότητα. Κατά τη διάρκεια της εποχής του χειμώνα δώστε προσοχή στις περιοχές που είναι υγρές και γλιστρούν, στον πάγο και στο χιόνι (κίνδυνος ολισθηρότητας). Να εξασφαλιζεται πάντα ότι το πάτημά σας σε κλάσεις και να περπατάτε, ποτέ να μην τρέχετε.
2. Να προσέχετε ώστε να μην τραυματίσετε τα πόδια και τα χέρια σας από το κοπτικό εργαλείο.
3. Μην στέκεστε ποτέ σε σκάλα και να χρησιμοποιείτε τον εξοπλισμό.
4. Να μην σκαρφαλώνετε ποτέ σε δέντρα για να εκτελέσετε εργασίες κοπής με τον εξοπλισμό.
5. Μην εργάζεστε ποτέ πάνω σε ασταθείς επιφάνειες.
6. Αφαιρέστε την άμμο, τις πέτρες, τα καρφιά κτλ. που βρίσκονται μέσα στο εύρος της περιοχής εργασίας. Τα ξένα σωματίδια μπορεί να προκαλέσουν ζημιά στο κοπτικό εργαλείο και μπορεί να προκληθούν επικίνδυνα κλοστήματα.
7. Αν το κοπτικό εργαλείο χτυπήσει πέτρες ή άλλα σκληρά αντικείμενα, αμέσως κλείστε το μοτέρ και επιθεωρήστε το κοπτικό εργαλείο.
8. Επιθεωρείτε το κοπτικό εργαλείο για ζημιά ανά τακτά και σύντομα διαστήματα (διάγνωση λεπτών ρωγμών χρησιμοποιώντας το τεστ ήχου που παράγεται από την κρούση).
9. Πριν το ξεκίνημα της κοπής, το κοπτικό εργαλείο θα πρέπει να έχει αποκτήσει την πλήρη ταχύτητα λειτουργίας.
10. Το κοπτικό εργαλείο πρέπει να είναι εξοπλισμένο με το κατάλληλο προφυλακτήρα. Ποτέ μην χρησιμοποιείτε τον εξοπλισμό με κατεστραμμένους προφυλακτήρες ή όταν οι προφυλακτήρες δεν βρίσκονται στη θέση τους!
11. Κατά τη διάρκεια της λειτουργίας, πρέπει να χρησιμοποιούνται όλες οι προστατευτικές εγκαταστάσεις και προφυλακτήρες, που παρέχονται με το εργαλείο.
12. Να αφαιρείτε πάντα την κασέτα μπαταριών από τον εξοπλισμό:
  - κάθε φορά που αφήνετε τον εξοπλισμό χωρίς επιτήρηση,
  - πριν καθαρίσετε κάποια εμπλοκή,
  - πριν ελέγξετε ή καθαρίσετε τον εξοπλισμό ή πριν εκτελέσετε εργασίες σε αυτό,
  - αφού χτυπήσετε ένα ξένο αντικείμενο,
  - όποτε ο εξοπλισμός αρχίσει να δονείται μη φυσιολογικά.
13. Να βεβαιώνετε πάντα ότι οι οπές εξαρτισμού είναι καθαρές.
14. Τα κοπτικά μέσα συνεχίζουν να λειτουργούν μετά την απενεργοποίησή του μοτέρ.
15. Αν οι λάμες σταματήσουν να κινούνται επειδή κόλλησαν ξένα αντικείμενα μεταξύ των λαμών κατά τη λειτουργία, σβήστε το εργαλείο και αφαιρέστε την κασέτα μπαταριών, μετά αφαιρέστε το ξένο αντικείμενο χρησιμοποιώντας κάποιο εργαλείο, όπως μια πένα. Η αφαίρεση των ξένων αντικειμένων με το χέρι μπορεί να προκαλέσει τραυματισμό, επειδή οι λάμες μπορεί να κινήθουν σε αντίδραση της αφαίρεσης των ξένων αντικειμένων.

#### Κοπτικά εργαλεία

Να χρησιμοποιείτε μόνο το σωστό κοπτικό εργαλείο για την εργασία που πρόκειται να κάνετε.

## Οδηγίες συντήρησης

1. Η κατάσταση του εξοπλισμού, ιδιαίτερα του κοπτικού εργαλείου και των προστατευτικών συσκευών, θα πρέπει να ελέγχεται πριν από την έναρξη της εργασίας.
2. Να σβήνετε το μοτέρ και να βγάζετε την κασέτα μπαταρίας πριν εκτελείτε εργασίες συντήρησης, αντικαθιστάτε τα κοπτικά εργαλεία και καθαρίζετε τον εξοπλισμό ή το κοπτικό εργαλείο.
3. Όταν δεν χρησιμοποιείτε τον εξοπλισμό, αποθηκεύστε τον σε εσωτερικό χώρο, σε στεγνό και υψηλό ή κλειδωμένο μέρος - μακριά από τα παιδιά. Καθαρίστε και εκτελέστε συντήρηση πριν την αποθήκευση.

## ΦΥΛΑΞΤΕ ΤΙΣ ΟΔΗΓΙΕΣ ΑΥΤΕΣ.

**⚠️ ΠΡΟΕΙΔΟΠΟΙΗΣΗ:** ΜΗΝ επιτρέψετε το βαθμό άνεσης ή εξοικείωσης με το προϊόν (λόγω επανειλημμένης χρήσης) να αντικαταστήσει την αυστηρή τήρηση των κανόνων ασφαλείας του παρόντος εργαλείου. Η ΛΑΝΘΑΣΜΕΝΗ ΧΡΗΣΗ ή η αμέλεια να ακολουθήσετε τους κανόνες ασφαλείας που διατυπώνονται στο παρόν εγχειρίδιο οδηγιών μπορεί να προκαλέσει σοβαρό προσωπικό τραυματισμό.

## Προειδοποιήσεις ασφαλείας για το φορητό ψαλίδι μπορντούρας

1. Απομακρύνετε όλα τα μέρη του σώματος από τη λάμα. Μην αφαιρείτε το κομμένο υλικό και μην κρατάτε το υλικό προς κοπή όταν οι λάμες κινούνται. Οι λάμες συνεχίζουν να κινούνται μετά την απενεργοποίηση του διακόπτη. Μια στιγμή απροσεξίας κατά τη διάρκεια χειρισμού του ψαλιδιού μπορντούρας μπορεί να προκαλέσει σοβαρό προσωπικό τραυματισμό.
2. Μεταφέρετε το ψαλίδι μπορντούρας από τη λαβή με τη λάμα σταματημένη και προσέχετε να μην θέσετε τον διακόπτη λειτουργίας σε λειτουργία. Η σωστή μεταφορά του ψαλιδιού μπορντούρας θα μειώσει τον κίνδυνο αθέλητης έναρξης και τον επακόλουθο προσωπικό τραυματισμό από τις λάμες.
3. Κατά τη μεταφορά ή την αποθήκευση του ψαλιδιού μπορντούρας, να τοποθετείτε πάντα το κάλυμμα της λαμών. Ο σωστός χειρισμός του ψαλιδιού μπορντούρας θα μειώσει τον κίνδυνο προσωπικού τραυματισμού από τις λάμες.
4. Όταν καθαρίζετε μπλοκαρισμένο υλικό ή πραγματοποιείτε σέρβις στη μονάδα, να βεβαιώνετε ότι όλοι οι διακόπτες λειτουργίας είναι σβηστοί και η κασέτα μπαταριών έχει αφαιρεθεί ή αποσυνδεθεί. Η απρόσμενη ενεργοποίηση του ψαλιδιού μπορντούρας κατά τον καθαρισμό του μπλοκαρισμένου υλικού ή το σέρβις μπορεί να έχει ως αποτέλεσμα σοβαρό προσωπικό τραυματισμό.
5. Κρατάτε το ψαλίδι μπορντούρας μόνο από τις μονωμένες επιφάνειες λαβής επειδή η λάμα μπορεί να κάνει επαφή με το κρυμμένο καλώδιο. Σε περίπτωση επαφής των λαμών με ηλεκτροφόρο καλώδιο, μπορεί να εκτεθειμένα μεταλλικά εξαρτήματα του ψαλιδιού μπορντούρας να καταστούν τα ίδια ηλεκτροφόρα και να προκαλέσουν ηλεκτροπληξία στο χειριστή.

6. Να κρατάτε όλα τα ηλεκτρικά καλώδια και τα σύρματα μακριά από την περιοχή κοπής. Τα ηλεκτρικά καλώδια ή τα σύρματα μπορεί να είναι κρυμμένα στις μπορντούρες ή τους θάμνους και να κοπούν κατά λάθος από τη λάμα.
7. Μην χρησιμοποιείτε το ψαλίδι μπορντούρας σε άσχημες καιρικές συνθήκες, ειδικά όταν υπάρχει κίνδυνος κεραυνών. Αυτό μειώνει τον κίνδυνο να χτυπηθείτε από κεραυνό.

## Επιπρόσθετες οδηγίες για την ασφάλεια

### Προετοιμασία

1. Ελέγχετε τους φράχτες από θάμνους και τους θάμνους για ξένα αντικείμενα, όπως συρμάτινους φράχτες ή κρυμμένα καλώδια, πριν θέσετε σε λειτουργία το εργαλείο.
2. Το εργαλείο δεν πρέπει να χρησιμοποιείται από παιδιά και νέους κάτω των 18 ετών. Εξαιρούνται από αυτήν την απαγόρευση οι νέοι άνω των 16 ετών που εκπαιδεύονται υπό την επίβλεψη ειδικού.
3. Όσοι χρησιμοποιούν το εργαλείο για πρώτη φορά θα πρέπει να ζητήσουν από έναν έμπειρο χρήστη να τους δείξει πώς να χρησιμοποιήσουν το εργαλείο.
4. Να χρησιμοποιείτε το εργαλείο μόνο αν βρίσκεστε σε καλή σωματική κατάσταση. Αν είστε κουρασμένοι, η προσοχή σας θα είναι μειωμένη. Προσέξτε ιδιαίτερα κατά το τέλος της μέρας εργασίας. Εκτελέστε όλες τις εργασίες με ηρεμία και προσοχή. Ο χρήστης είναι υπεύθυνος για όλες τις ζημιές σε άλλα άτομα.
5. Μην χρησιμοποιείτε ποτέ το εργαλείο υπό την επήρεια αλκοόλ, ναρκωτικών ουσιών ή φαρμάκων.
6. Τα γάντια εργασίας από ανθεκτικό δέρμα αποτελούν μέρος του βασικού εξοπλισμού του εργαλείου και πρέπει πάντα να φοριούνται κατά την εργασία με αυτό. Επίσης, να φοράτε σταθερά παπούσια με αντιολισθητικές σόλες.
7. Πριν ξεκινήσετε οποιαδήποτε εργασία, ελέγξτε για να βεβαιωθείτε ότι το εργαλείο βρίσκεται σε καλή και ασφαλή κατάσταση εργασίας. Βεβαιωθείτε ότι οι προφυλακτήρες είναι τοποθετημένα σωστά. Το εργαλείο δεν πρέπει να χρησιμοποιηθεί αν δεν είναι πλήρως συναρμολογημένο.

### Λειτουργία

1. Κρατήστε το εργαλείο σταθερά όταν χρησιμοποιείτε το εργαλείο.
2. Το εργαλείο προορίζεται για χρήση από το χειριστή στο επίπεδο του εδάφους. Μην χρησιμοποιείτε το εργαλείο σε σκάλες ή οποιαδήποτε άλλη ασταθή στήριξη.
3. Μην φοράτε ταυτόχρονα πολλαπλούς ιμάντες ζώνης ή/και ιμάντες ώμου ενώ λειτουργείτε το εργαλείο.
4. ΚΙΝΔΥΝΟΣ - Να διατηρείτε τα χέρια σας μακριά από τη λάμα. Η επαφή με τη λάμα θα έχει ως αποτέλεσμα σοβαρό προσωπικό τραυματισμό.
5. Μην χρησιμοποιήσετε το εργαλείο στη βροχή ή σε βρεγμένες ή πολύ υγρές συνθήκες. Το ηλεκτρικό μοτέρ δεν είναι αδιάβροχο.

6. Να βεβαιώνεστε ότι στέκεστε σταθερά πριν ξεκινήσετε μια εργασία.
7. Μη θέτετε το εργαλείο σε λειτουργία χωρίς φορτίο όταν αυτό δεν είναι απαραίτητο.
8. Να σβήνετε αμέσως το εργαλείο και να βγάξετε την κασέτα μπαταριών αν οι λάμες κουρευτικού έρθουν σε επαφή με φράχτη ή άλλο σκληρό αντικείμενο. Ελέγξτε τις λάμες για ζημιά και, αν υπάρχει ζημιά, αντικαταστήστε αμέσως τις λάμες.
9. Πριν ελέγξετε τις λάμες κουρευτικού, διορθώστε τυχόν βλάβες ή αφαιρέσετε υλικά που πιάστηκαν στις λάμες κουρευτικού, να σβήνετε πάντα το εργαλείο και να βγάξετε την κασέτα μπαταριών.
10. Μην στρέφετε ποτέ τις λάμες κουρευτικού προς το μέρος σας ή προς τους άλλους.
11. Αν οι λάμες σταματήσουν να κινούνται επειδή κόλλησαν ξένα αντικείμενα μεταξύ των λαμών κατά τη λειτουργία, σβήστε το εργαλείο και αφαιρέστε την κασέτα μπαταριών, μετά αφαιρέστε το ξένο αντικείμενο χρησιμοποιώντας κάποιο εργαλείο, όπως μια πένσα. Η αφαίρεση των ξένων αντικειμένων με το χέρι μπορεί να προκαλέσει τραυματισμό, επειδή οι λάμες μπορεί να κινηθούν σε αντίδραση της αφαίρεσης των ξένων αντικειμένων.
12. Να αποφεύγετε τα επικίνδυνα περιβάλλοντα. Μη χρησιμοποιείτε το εργαλείο σε υγραμένο ή υγρό χώρο ούτε να το εκθέτετε στη βροχή. Η είσοδος νερού στο εργαλείο μπορεί να αυξήσει τον κίνδυνο πρόκλησης ηλεκτροπληξίας.

#### Συντήρηση και αποθήκευση

1. Σβήστε το εργαλείο και βγάλτε την κασέτα μπαταριών πριν εκτελέσετε οποιαδήποτε εργασία συντήρησης.
2. Όταν μετακινείτε το εργαλείο σε άλλη τοποθεσία, συμπεριλαμβανόμενα κατά τη διάρκεια της εργασίας, να αφαιρείτε πάντα την κασέτα μπαταριών και να τοποθετείτε το κάλυμμα λαμών στις λάμες κουρευτικού. Μην μεταφέρετε ποτέ το εργαλείο με τις λάμες σε λειτουργία. Μην πιάνετε ποτέ τις λάμες με τα χέρια σας.
3. Να καθαρίζετε το εργαλείο, και ειδικά τις λάμες κουρευτικού, μετά τη χρήση και πριν τοποθετήσετε το εργαλείο για αποθήκευση για μεγάλες χρονικές περιόδους. Λιπάνετε ελαφρά τις λάμες και τοποθετήστε το κάλυμμα λαμών.
4. Αποθηκεύστε το εργαλείο με τοποθετημένο το κάλυμμα λαμών, σε ένα δωμάτιο χωρίς υγρασία. Φυλάξτε το μακριά από παιδιά. Μην αποθηκεύετε ποτέ το εργαλείο σε εξωτερικό χώρο.
5. Μη απορρίπτετε την μπαταρία(ίες) στη φωτιά. Το κελί μπορεί να εκραγεί. Συμβουλευτείτε τους τοπικούς κώδικες για πιθανές ειδικές οδηγίες απόρριψης.
6. Μη απορρίπτετε και μην καταστρέψετε την μπαταρία(ίες). Ο ηλεκτρολύτης που εκλύεται είναι διαβρωτικός και μπορεί να προκαλέσει ζημιά στα μάτια ή στο δέρμα. Σε περίπτωση κατάποσης, μπορεί να είναι τοξικό.
7. Μη φορτίζετε την μπαταρία στη βροχή, αλλά ούτε σε υγρές τοποθεσίες.

#### ΦΥΛΑΞΤΕ ΤΙΣ ΟΔΗΓΙΕΣ ΑΥΤΕΣ.

**▲ΠΡΟΕΙΔΟΠΟΙΗΣΗ:** ΜΗΝ επιτρέψετε το βαθμό άνεσης ή εξοικείωσης με το προϊόν (λόγω επανειλημμένης χρήσης) να αντικαταστήσει την αυστηρή τήρηση των κανόνων ασφαλείας του παρόντος εργαλείου. Η **ΛΑΘΑΣΜΕΝΗ ΧΡΗΣΗ** ή η αμέλεια να ακολουθήσετε τους κανόνες ασφαλείας που διατυπώνονται στο παρόν εγχειρίδιο οδηγιών μπορεί να προκαλέσει σοβαρό προσωπικό τραυματισμό.

#### Σημαντικές οδηγίες ασφαλείας για κασέτα μπαταριών

1. Πριν χρησιμοποιήσετε την κασέτα μπαταριών, διαβάστε όλες τις οδηγίες και σημειώσεις προφυλάξης (1) στον φορτιστή μπαταριών, (2) στην μπαταρία και (3) στο προϊόν που χρησιμοποιεί την μπαταρία.
2. Μην αποσυρμαρμολογήσετε ή παραβιάσετε την κασέτα μπαταριών. Μπορεί να έχει ως αποτέλεσμα πυρκαγιά, υπερθέρμανση ή έκρηξη.
3. Εάν ο χρόνος λειτουργίας έχει γίνει υπερβολικά βραχύς, σταματήστε τη λειτουργία αμέσως. Αλλιώς, μπορεί να έχει ως αποτέλεσμα κίνδυνο υπερθέρμανσης, πιθανά εγκαύματα ή ακόμη και έκρηξη.
4. Εάν ηλεκτρολύτης μπει στα μάτια σας, ξεπλύνετε τα με καθαρό νερό και ζητήστε ιατρική φροντίδα αμέσως. Αλλιώς, μπορεί να έχει ως αποτέλεσμα απώλεια της όρασης σας.
5. Μη βραχυκυκλώνετε την κασέτα μπαταριών:
  - (1) Μην αγγίζετε τους πόλους με οτιδήποτε αγώγιμο υλικό.
  - (2) Αποφύγετε να αποθηκεύετε την κασέτα μπαταριών μέσα σε ένα δοχείο μαζί με άλλα μεταλλικά αντικείμενα όπως καρφιά, νομίσματα, κλπ.
  - (3) Μην εκθέτετε την κασέτα μπαταριών στο νερό ή στη βροχή.
 Ένα βραχυκύκλωμα μπαταρίας μπορεί να προκαλέσει μεγάλη ροή ρεύματος, υπερθέρμανση, πιθανά εγκαύματα ακόμη και σοβαρή βλάβη.
6. Μην αποθηκεύετε και μην χρησιμοποιείτε το εργαλείο και την κασέτα μπαταριών σε τοποθεσίες όπου η θερμοκρασία μπορεί να φτάσει ή να ξεπεράσει τους 50°C.
7. Μην καίτε την κασέτα μπαταριών ακόμη και εάν έχει σοβαρή ζημιά ή είναι εντελώς φθαρμένη. Η κασέτα μπαταριών μπορεί να εκραγεί στη φωτιά.
8. Μην καρφώσετε, κόψετε, συνθλίψετε, πετάξετε ή ρίξετε κάτω την κασέτα μπαταριών, ούτε να χτυπήσετε ένα σκληρό αντικείμενο επάνω στην κασέτα μπαταριών. Τέτοια συμπεριφορά μπορεί να έχει ως αποτέλεσμα πυρκαγιά, υπερθέρμανση ή έκρηξη.
9. Μη χρησιμοποιείτε μπαταρία που έχει υποστεί ζημιά.
10. Οι μπαταρίες ιόντων λιθίου που περιέχονται υποδέκνται στις απαιτήσεις της νομοθεσίας για επικίνδυνα αγαθά.
 

Για εμπορικές μεταφορές, για παράδειγμα από τρίτα μέρη, πρέπει να τηρούνται οι διαμεταφορές, οι ειδικές απαιτήσεις στη συσκευασία και η επισήμανση. Για προετοιμασία του στοιχείου που αποστέλλεται, είναι απαραίτητο να συμβουλευτείτε έναν ειδικό για επικίνδυνα υλικά. Επίσης, τηρήστε τους πιθανούς, πιο αναλυτικούς εθνικούς κανονισμούς. Καλύψτε με αυτοκόλλητη ταινία ή κρύψτε τις ανοικτές επαφές και συσκευάστε την μπαταρία με τρόπο που να μην μπορεί να μετακινείται μέσα στη συσκευασία.

- Όταν απορρίπτετε την κασέτα μπαταριών, αφαιρέστε την από το εργαλείο και διαθέστε την σε ένα ασφαλές μέρος. Τηρήστε τους τοπικούς κανονισμούς που σχετίζονται με τη διάθεση της μπαταρίας.
- Χρησιμοποιήστε τις μπαταρίες μόνο με τα προϊόντα που καθορίζει η Makita. Αν τοποθετήσετε τις μπαταρίες σε μη συμβατά προϊόντα μπορεί να έχει ως αποτέλεσμα πυρκαγιά, υπερβολική θερμότητα, έκρηξη ή διαρροή ηλεκτρολύτη.
- Αν δεν χρησιμοποιείτε το εργαλείο για μεγάλο χρονικό διάστημα, πρέπει να βγάλετε την μπαταρία από το εργαλείο.
- Κατά τη διάρκεια και μετά τη χρήση, η κασέτα μπαταριών μπορεί να θερμανθεί, γεγονός που μπορεί να προκαλέσει εγκαύματα ή εγκαύματα από χαμηλή θερμοκρασία. Προσέχετε το χειρισμό των ζεστών κασετών μπαταριών.
- Μην αγγίζετε τον ακροδέκτη του εργαλείου αμέσως μετά τη χρήση επειδή μπορεί να έχει ζεσταθεί αρκετά για να προκαλέσει εγκαύματα.
- Μην αφήνετε θραύσματα, σκόνη ή βρομιά να κολλήσει στους ακροδέκτες, τις οπές και τις εγκοπές της κασέτας μπαταριών. Μπορεί να έχει ως αποτέλεσμα κακή απόδοση ή στάσιμο του εργαλείου ή της κασέτας μπαταριών.
- Εκτός αν το εργαλείο υποστηρίζει τη χρήση κοντά σε ηλεκτρικές γραμμές υψηλής τάσης, μην χρησιμοποιείτε την κασέτα μπαταριών κοντά σε ηλεκτρικές γραμμές υψηλής τάσης. Μπορεί να έχει ως αποτέλεσμα δυσλειτουργία ή στάσιμο του εργαλείου ή της κασέτας μπαταριών.
- Κρφυλάξτε την μπαταρία μακριά από παιδιά.

## ΦΥΛΑΞΤΕ ΤΙΣ ΟΔΗΓΙΕΣ ΑΥΤΕΣ.

**▲ΠΡΟΣΟΧΗ:** Να χρησιμοποιείτε μόνο γνήσιες μπαταρίες της Makita. Η χρήση μη γνήσιων μπαταριών Makita, ή μπαταριών που έχουν τροποποιηθεί, μπορεί να έχει ως αποτέλεσμα τη ρήξη της μπαταρίας, προκαλώντας πυρκαγιά, προσωπικό τραυματισμό και βλάβη. Επίσης, θα ακυρωθεί η εγγύηση της Makita για το εργαλείο και φορτιστή Makita.

## Συμβουλές για τη διατήρηση της μέγιστης ζωής μπαταρίας

- Φορτίζετε την κασέτα μπαταριών πριν από την πλήρη αποφόρτιση της. Πάντοτε να σταματάτε τη λειτουργία του εργαλείου και να φορτίζετε την κασέτα μπαταριών όταν παρατηρήσετε μειωμένη ισχύ εργαλείου.
- Ποτέ μην επαναφορτίζετε μια πλήρως φορτισμένη κασέτα μπαταριών. Η υπερφόρτιση μειώνει την ωφέλιμη ζωή της μπαταρίας.
- Να φορτίζετε την κασέτα μπαταριών σε θερμοκρασία δωματίου, δηλαδή στους 10 °C έως 40 °C. Αφήστε μια θερμή κασέτα μπαταριών να κρυώσει πριν την φορτίσετε.
- Όταν δεν χρησιμοποιείτε την κασέτα μπαταριών, αφαιρέστε την από το εργαλείο ή τον φορτιστή.
- Να φορτίζετε την κασέτα μπαταριών εάν δεν τη χρησιμοποιείτε για μεγάλη χρονική περίοδο (περισσότερο από έξι μήνες).

## ΠΕΡΙΓΡΑΦΗ ΛΕΙΤΟΥΡΓΙΑΣ

**▲ΠΡΟΣΟΧΗ:** Να φροντίζετε πάντα για την απενεργοποίηση του εργαλείου και την αφαίρεση της κασέτας μπαταρίας, πριν από οποιαδήποτε ρύθμιση ή έλεγχο της λειτουργίας του.

## Χρήση του εργαλείου ως φορητό ψαλίδι μπορντούρας

Αυτό το εργαλείο μπορεί να χρησιμοποιηθεί ως φορητό ψαλίδι μπορντούρας αν εγκαταστήσετε τις λάμες κουρευτικού για το ψαλίδι μπορντούρας.

## Τοποθέτηση ή αφαίρεση της κασέτας μπαταριών

**▲ΠΡΟΣΟΧΗ:** Να σβήνετε πάντα το εργαλείο πριν τοποθετήσετε ή αφαιρέσετε την κασέτα μπαταριών.

**▲ΠΡΟΣΟΧΗ:** Κρατήστε το εργαλείο και την κασέτα μπαταριών σταθερά κατά την τοποθέτηση ή αφαίρεση της κασέτας μπαταριών. Εάν δεν κρατάτε το εργαλείο και την κασέτα μπαταριών σταθερά μπορεί να γλιστρήσουν από τα χέρια σας και να προκληθεί βλάβη στο εργαλείο και την κασέτα μπαταριών και προσωπικός τραυματισμός.

► **Εικ. 1:** 1. Κόκκινος δείκτης 2. Κουμπί 3. Κασέτα μπαταριών

Για να αφαιρέσετε την κασέτα μπαταριών, ολισθήστε την από το εργαλείο ενώ σύρετε το κουμπί στο μπροστινό μέρος της κασέτας.

Για να τοποθετήσετε την κασέτα μπαταριών, ευθυγραμμίστε τη γλώσσα στην κασέτα μπαταριών με την εγκοπή στο περίβλημα και ολισθήστε τη στη θέση της. Τοποθετήστε την μέχρι τέρμα μέχρι να ασφαλίσει στη θέση της, γεγονός που υποδεικνύεται με ένα χαρακτηριστικό ήχο. Αν μπορείτε να δείτε τον κόκκινο δείκτη όπως απεικονίζεται στην εικόνα, δεν έχει κλειδωθεί τελείως.

**▲ΠΡΟΣΟΧΗ:** Να τοποθετείτε πάντα την κασέτα μπαταριών πλήρως μέχρι να μη βλέπετε τον κόκκινο δείκτη. Εάν δεν ασφαλιστεί, μπορεί να πέσει από το εργαλείο τυχαία, προκαλώντας σωματική βλάβη σε εσάς ή κάποιον άλλο γύρω σας.

**▲ΠΡΟΣΟΧΗ:** Μην τοποθετείτε την κασέτα μπαταριών με βία. Εάν η κασέτα δεν ολισθαίνει με ευκολία, τότε δεν έχει τοποθετηθεί κατάλληλα.

## Σύστημα προστασίας εργαλείου/μπαταρίας

Το εργαλείο είναι εξοπλισμένο με σύστημα προστασίας εργαλείου/μπαταρίας. Αυτό το σύστημα αποκόπτει αυτόματα την ισχύ προς το μοτέρ για να παραταθεί η διάρκεια λειτουργίας του εργαλείου και της μπαταρίας. Το εργαλείο σταματάει αυτόματα κατά τη διάρκεια της λειτουργίας εάν το εργαλείο ή η μπαταρία βρεθούν κάτω από τις παρακάτω συνθήκες:

### Προστασία υπερφόρτωσης

Όταν η μπαταρία λειτουργεί με τρόπο ώστε να αναγκάζεται να καταναλώνει ασυνήθιστα υψηλό ρεύμα, το εργαλείο σταματάει αυτόματα. Σε αυτή την κατάσταση, σβήστε το εργαλείο και διακόψτε την εφαρμογή που προκαλεί την υπερφόρτωση του εργαλείου. Μετά, ενεργοποιήστε το εργαλείο για επανεκκίνηση.

### Προστασία υπερθέρμανσης

Όταν η μπαταρία υπερθερμαίνεται, το εργαλείο σταματάει αυτόματα. Σε αυτή την περίπτωση, αφήστε το εργαλείο και την μπαταρία να κρυώσουν πριν ενεργοποιήσετε ξανά το εργαλείο.

### Προστασία υπερβολικής αποφόρτισης

Όταν η φόρτιση μπαταρίας δεν είναι αρκετή, το εργαλείο σταματάει αυτόματα. Αν ενεργοποιήσετε το εργαλείο, το μοτέρ θα τειθεί ξανά σε λειτουργία αλλά θα σταματήσει σύντομα. Σε αυτή την περίπτωση, βγάλτε την μπαταρία από το εργαλείο και φορτίστε την μπαταρία.

## Δράση διακόπτη

**▲ ΠΡΟΕΙΔΟΠΟΙΗΣΗ:** Πριν βάλετε την κασέτα μπαταρίας μέσα στο εργαλείο, να ελέγχετε πάντα να δείτε αν η σκανδάλη διακόπτης ενεργοποιείται κανονικά και επιστρέφει στη θέση «OFF» όταν ελευθερώνεται.

**▲ ΠΡΟΕΙΔΟΠΟΙΗΣΗ:** Για την ασφάλεια σας, το εργαλείο αυτό παρέχεται με κουμπί ασφάλισης το οποίο αποτρέπει την εκκίνηση του εργαλείου κατά λάθος. Μη χρησιμοποιείτε ποτέ το εργαλείο αν εκκινείται όταν τραβάτε τη σκανδάλη διακόπτη χωρίς να πατήσετε και το κουμπί ασφάλισης. Απευθυνθείτε στο τοπικό κέντρο σέρβις της Makita για επισκευή.

**▲ ΠΡΟΕΙΔΟΠΟΙΗΣΗ:** Μην απενεργοποιείτε ποτέ τη λειτουργία κλειδώματος και μην κολλάτε ποτέ το κουμπί ασφάλισης.

**ΕΙΔΟΠΟΙΗΣΗ:** Μην τραβήξετε τη σκανδάλη διακόπτη με δύναμη χωρίς να πατήσετε το κουμπί ασφάλισης. Ο διακόπτης μπορεί να σπάσει.

► **Εικ.2:** 1. Σκανδάλη διακόπτη 2. Κουμπί ασφάλισης

Για να μην τραβηχτεί κατά λάθος η σκανδάλη διακόπτη, παρέχεται ένα κουμπί κλειδώματος.

Για να ξεκινήσετε τη λειτουργία του εργαλείου, πατήστε το κουμπί ασφάλισης και τραβήξτε τη σκανδάλη διακόπτη. Ελευθερώστε τη σκανδάλη διακόπτη για να σταματήσει. Μπορείτε να πατήσετε το κουμπί ασφάλισης από τα δεξιά ή τα αριστερά.

## Ενδεικτική λυχνία

Η ενδεικτική λυχνία αναβοσβήνει ή ανάβει όταν η εντοπιζόμενη χωρητικότητα μπαταρίας είναι χαμηλή ή άδεια. Η ενδεικτική λυχνία επίσης ανάβει όταν το εργαλείο υπερφορτωθεί.

► **Εικ.3:** 1. Ενδεικτική λυχνία

### Κατάσταση λυχνίας και απαιτούμενη ενέργεια

Ενδεικτική λυχνία	Κατάσταση	Απαιτούμενη ενέργεια
Η λυχνία αναβοσβήνει με κόκκινο χρώμα.	Η εναπομείνουσα χωρητικότητα μπαταρίας είναι χαμηλή.	Φορτίστε την μπαταρία.
Η λυχνία ανάβει με κόκκινο χρώμα. *	Το εργαλείο έχει σταματήσει επειδή η εναπομείνουσα χωρητικότητα μπαταρίας είναι άδεια.	Φορτίστε την μπαταρία.
	Το εργαλείο έχει σταματήσει λόγω υπερφόρτωσης.	Απενεργοποιήστε το εργαλείο.

\* Ο χρόνος που θα ανάψει η ενδεικτική λυχνία διαφέρει ανάλογα με τη θερμοκρασία στο χώρο εργασίας και τις συνθήκες τις κασέτας μπαταριών.

## Ρύθμιση του ύψους κουρέματος (για κουρευτικό γκαζόν)

### Προαιρετικό εξάρτημα

**▲ ΠΡΟΣΟΧΗ:** Όταν αλλάζετε το ύψος κουρέματος, βεβαιωθείτε να προσαρτήσετε το κάλυμμα λαμών και να προετοιμάσετε να μην πιάσετε τα δάχτυλά σας μεταξύ του εργαλείου και του συλλογέα γρασιδιού.

Το ύψος κουρέματος μπορεί να ρυθμιστεί σε τρία επίπεδα (15 mm, 20 mm και 25 mm) αν αλλάξετε τη σταθερή θέση του συλλογέα γρασιδιού. Το ύψος κουρέματος χωρίς το συλλογέα γρασιδιού είναι περίπου 10 mm.

1. Σύρετε τον συλλογέα γρασιδιού προς το μπροστινό μέρος του εργαλείου.

► **Εικ.4:** 1. Συλλογέας γρασιδιού

2. Αλλάξτε τη σταθερή θέση του συλλογέα γρασιδιού μετακινώντας τον προς την κατεύθυνση του βέλους.

► **Εικ.5**

**ΠΑΡΑΤΗΡΗΣΗ:** Η τιμή του ύψους κουρέματος αποτελεί μόνο οδηγό. Το πραγματικό ύψος κουρέματος μπορεί να διαφέρει ανάλογα με την κατάσταση του γκαζόν ή του εδάφους.

**ΠΑΡΑΤΗΡΗΣΗ:** Κάντε ένα δοκιμαστικό κούρεμα σε ένα λιγότερο εμφανές μέρος για να πετύχετε το επιθυμητό ύψος.

## ΣΥΝΑΡΜΟΛΟΓΗΣΗ

**▲ ΠΡΟΣΟΧΗ:** Να βεβαιώνεστε πάντα ότι το εργαλείο είναι σβηστό και η κασέτα μπαταρίας έχει αφαιρεθεί πριν εκτελέσετε κάποια εργασία στο εργαλείο.

**▲ ΠΡΟΣΟΧΗ:** Όταν αντικαθιστάτε τις λάμες κουρευτικού, να φοράτε πάντα γάντια και να προσαρτάτε το κάλυμμα λαμών, ώστε τα χέρια και το πρόσωπό σας να μην έρχονται σε άμεση επαφή με τις λάμες.

**ΕΙΔΟΠΟΙΗΣΗ:** Όταν αντικαθιστάτε τις λάμες κουρευτικού, μη σκουπίζετε το γράσο από το γρανάζι και στρόφαλο.

## Τοποθέτηση ή αφαίρεση του καλύμματος λαμών

**▲ ΠΡΟΣΟΧΗ:** Προσέχετε να μην αγγίζετε τις λάμες όταν τοποθετείτε ή αφαιρείτε το κάλυμμα λαμών.

Για να αφαιρέσετε το κάλυμμα λαμών, τραβήξτε το ελαφρά και μετά σύρετέ το προς το πλάι. Για να τοποθετήσετε το κάλυμμα λαμών, εκτελέστε τα βήματα με αντίστροφη σειρά.

► **Εικ.6**

## Τοποθέτηση ή αφαίρεση του συλλογέα γρασιδιού

### Προαιρετικό εξάρτημα

**▲ ΠΡΟΣΟΧΗ:** Όταν τοποθετείτε ή αφαιρείτε τον συλλογέα γρασιδιού, βεβαιωθείτε να προσαρτήσετε το κάλυμμα λαμών και να προσέχετε να μην πιάσετε τα δάχτυλά σας μεταξύ του εργαλείου και του συλλογέα γρασιδιού.

## Τοποθέτηση του συλλογέα γρασιδιού

1. Γαντζώστε το μεντεσέ του συλλογέα γρασιδιού στην εγκοπή του εργαλείου.

► **Εικ.7:** 1. Μεντεσές 2. Συλλογέας γρασιδιού

2. Ευθυγραμμίστε τις προεξοχές στον συλλογέα γρασιδιού με τις εγκοπές στο εργαλείο ενώ σύρετε τον συλλογέα γρασιδιού προς το μπροστινό μέρος του εργαλείου και τον μετακινείτε προς την κατεύθυνση του βέλους.

► **Εικ.8**

**ΕΙΔΟΠΟΙΗΣΗ:** Μην προσαρτάτε με δύναμη το μεντεσέ του συλλογέα γρασιδιού με το εργαλείο μετά την ευθυγράμμιση των προεξοχών στον συλλογέα γρασιδιού με τις εγκοπές στο εργαλείο.

## Αφαίρεση του συλλογέα γρασιδιού

1. Απελευθερώστε τις προεξοχές στον συλλογέα γρασιδιού από τις εγκοπές στο εργαλείο ενώ σύρετε τον συλλογέα γρασιδιού προς το μπροστινό μέρος του εργαλείου.

► **Εικ.9:** 1. Συλλογέας γρασιδιού

2. Απελευθερώστε τον μεντεσέ του συλλογέα γρασιδιού από το εργαλείο.

## Τοποθέτηση ή αφαίρεση των λαμών κουρευτικού για κουρευτικό γκαζόν

**ΕΙΔΟΠΟΙΗΣΗ:** Αν εξαρτήματα εκτός των λαμών κουρευτικού, όπως ο στρόφαλος, είναι φθαρμένα, ζητήστε από ένα εξουσιοδοτημένο κέντρο εξυπηρέτησης της Makita για αντικατάσταση ή επισκευή των εξαρτημάτων.

## Αφαίρεση των λαμών κουρευτικού

1. Αφαιρέστε τον συλλογέα γρασιδιού αν είναι εγκατεστημένος. Αφήστε το εργαλείο ανάποδα.

► **Εικ.10**

2. Ενώ πιέζετε το μοχλό ασφάλισης, περιστρέψτε το κάτω κάλυμμα αριστερόστροφα μέχρι το  $\text{Ⓜ}$  στο κάτω κάλυμμα να ευθυγραμμιστεί με το  $\Delta$  στο μοχλό ασφάλισης.

► **Εικ.11:** 1. Κάτω κάλυμμα 2. Μοχλός ασφάλισης

3. Αφαιρέστε το κάτω κάλυμμα, τις λάμες κουρευτικού και τον στρόφαλο.

► **Εικ.12:** 1. Κάτω κάλυμμα 2. Λάμες κουρευτικού 3. Στρόφαλος

## Τοποθέτηση των λαμών κουρευτικού

1. Προετοιμάστε το στρόφαλο, το κάτω κάλυμμα και τις καινούριες λάμες κουρευτικού.

► **Εικ.13:** 1. Στρόφαλος 2. Κάτω κάλυμμα 3. Λάμες κουρευτικού

2. Αφαιρέστε το κάλυμμα λαμών από τις παλιές λάμες κουρευτικού και μετά προσαρτήστε το στις καινούριες.

► **Εικ.14:** 1. Κάλυμμα λαμών

3. Προσαρμόστε τους τρεις πείρους με τρόπο ώστε να ευθυγραμμιστούν στη γραμμή ευθυγράμμισης.

► **Εικ.15:** 1. Γραμμή ευθυγράμμισης

4. Εφαρμόστε μια μικρή ποσότητα γράσου στην περιφέρεια του στρόφαλου. Προσαρτήστε τον στρόφαλο στους πείρους με τον μικρό και τον μεγάλο κύκλο στραμμένο προς τα πάνω.

► **Εικ.16:** 1. Στρόφαλος

5. Προσαρμόστε τις λάμες και την πλάκα οδηγό με τρόπο ώστε η οπή στην πλάκα οδηγό και οι δύο προεξοχές στις λάμες να είναι ευθυγραμμισμένες.

► **Εικ.17:** 1. Πλάκα οδηγός



6. Αναποδογυρίστε τις λάμες κουρευτικού και τοποθετήστε τις με τρόπο ώστε οι πείροι στο εργαλείο να ταιριάζουν στην οπή στην πλάκα οδηγό. Βεβαιωθείτε ότι οι λάμες κουρευτικού είναι στερεωμένες με ασφάλεια.

► **Εικ.18:** 1. Πλάκα οδηγός

**ΠΑΡΑΤΗΡΗΣΗ:** Αν ολισθήσετε το κάλυμμα λαμών λίγο προς τα μπροστά, διευκολύνεται η εγκατάσταση των λαμών κουρευτικού.

7. Τοποθετήστε το κάτω κάλυμμα με τρόπο ώστε το  $\text{Ⓜ}$  στο κάτω κάλυμμα να ευθυγραμμιστεί με το  $\Delta$  στο μοχλό ασφάλισης.

► **Εικ.19:** 1. Κάτω κάλυμμα 2. Μοχλός ασφάλισης

8. Ενώ πιέζετε το κάτω κάλυμμα, περιστρέψτε το κάτω κάλυμμα δεξιόστροφα μέχρι το  στο κάτω κάλυμμα να ευθυγραμμιστεί με το  στο μοχλό ασφάλισης.

► **Εικ.20:** 1. Κάτω κάλυμμα 2. Μοχλός ασφάλισης

9. Να βεβαιώνετε ότι ο μοχλός ασφάλισης ταιριάζει στην εγκοπή στο κάτω κάλυμμα.

► **Εικ.21:** 1. Μοχλός ασφάλισης

**ΠΡΟΣΟΧΗ:** Μην χρησιμοποιείτε ποτέ το εργαλείο χωρίς να τοποθετήσετε το κάτω κάλυμμα.

10. Αφαιρέστε το κάλυμμα λαμών και μετά ενεργοποιήστε το εργαλείο για να ελέγξετε ότι λειτουργεί σωστά.

**ΕΙΔΟΠΟΙΗΣΗ:** Αν οι λάμες κουρευτικού δεν λειτουργούν σωστά, οι λάμες δεν δεσμεύονται σωστά στον στρόφαλο. Αφαιρέστε τις λάμες και τοποθετήστε τις ξανά.

## Τοποθέτηση ή αφαίρεση λαμών κουρευτικού για ψαλίδι μπορντούρας



**ΠΡΟΣΟΧΗ:** Προσαρτήστε το κάλυμμα λαμών πριν αφαιρέσετε ή τοποθετήσετε τις λάμες κουρευτικού.

**ΕΙΔΟΠΟΙΗΣΗ:** Αν εξαρτήματα εκτός των λαμών κουρευτικού, όπως ο στρόφαλος, είναι φθαρμένα, ζητήστε από ένα εξουσιοδοτημένο κέντρο εξυπηρέτησης της Makita για αντικατάσταση ή επισκευή των εξαρτημάτων.

## Αφαίρεση των λαμών κουρευτικού

1. Αφήστε το εργαλείο ανάποδα.

► **Εικ.22**

2. Ενώ πιέζετε το μοχλό ασφάλισης, περιστρέψτε το κάτω κάλυμμα αριστερόστροφα μέχρι το  στο κάτω κάλυμμα να ευθυγραμμιστεί με το  στο μοχλό ασφάλισης.

► **Εικ.23:** 1. Μοχλός ασφάλισης 2. Κάτω κάλυμμα

3. Αφαιρέστε το κάτω κάλυμμα.

► **Εικ.24:** 1. Κάτω κάλυμμα

4. Χαλαρώστε τις δύο βίδες με ένα κατσαβίδι και αφαιρέστε τις λάμες κουρευτικού.

► **Εικ.25:** 1. Βίδες

**ΠΑΡΑΤΗΡΗΣΗ:** Μπορείτε να αφαιρέσετε τις λάμες κουρευτικού χωρίς να αφαιρέσετε τις βίδες.

5. Αφαιρέστε τον στρόφαλο από τις λάμες κουρευτικού.

► **Εικ.26:** 1. Στρόφαλος

**ΠΑΡΑΤΗΡΗΣΗ:** Ο στρόφαλος μπορεί να παραμείνει στο εργαλείο.

**ΠΑΡΑΤΗΡΗΣΗ:** Προσαρτήστε το κάλυμμα λαμών και τη θήκη αποθήκευσης στις λάμες κουρευτικού που αφαιρέσατε, και μετά αποθηκεύστε τις λάμες.

## Τοποθέτηση των λαμών κουρευτικού

1. Προετοιμάστε το στρόφαλο, το κάτω κάλυμμα και τις καινούριες λάμες κουρευτικού.

► **Εικ.27:** 1. Στρόφαλος 2. Κάτω κάλυμμα 3. Λάμες κουρευτικού

2. Προσαρτήστε το κάλυμμα λαμών στις λάμες κουρευτικού.

► **Εικ.28:** 1. Κάλυμμα λαμών

3. Προσαρμόστε τους τρεις πείρους με τρόπο ώστε να ευθυγραμμιστούν στη γραμμή ευθυγράμμισης.

► **Εικ.29:** 1. Γραμμή ευθυγράμμισης

4. Εφαρμόστε μια μικρή ποσότητα γράσου στην περιφέρεια του στρόφαλου. Προσαρτήστε τον στρόφαλο στους πείρους με τον μικρό και τον μεγάλο κύκλο στραμμένο προς τα κάτω.

► **Εικ.30:** 1. Στρόφαλος

5. Σύρετε τις λάμες κουρευτικού με τρόπο ώστε η οπή στην πλάκα οδηγώ να είναι τοποθετημένη στο κέντρο των δακτυλίων των λαμών.

► **Εικ.31:** 1. Πλάκα οδηγός



6. Αναποδογυρίστε τις λάμες κουρευτικού και τοποθετήστε τις με τρόπο ώστε ο πείρος στο εργαλείο να ταιριάζει στην οπή στις λάμες κουρευτικού. Εισαγάγετε την προεσοχή της πλάκας οδηγού στην εγκοπή στο εργαλείο. Βεβαιωθείτε ότι οι λάμες κουρευτικού είναι στερεωμένες με ασφάλεια.

► **Εικ.32:** 1. Προεσοχή 2. Πλάκα οδηγός



**ΠΑΡΑΤΗΡΗΣΗ:** Αν ολισθήσετε το κάλυμμα λαμών λίγο προς τα μπροστά, διευκολύνεται η εγκατάσταση των λαμών κουρευτικού.

7. Σφίξτε καλά τις δύο βίδες με κατσαβίδι.

► **Εικ.33:** 1. Βίδες

8. Τοποθετήστε το κάτω κάλυμμα με τρόπο ώστε το  στο κάτω κάλυμμα να ευθυγραμμιστεί με το  στο μοχλό ασφάλισης.

► **Εικ.34:** 1. Μοχλός ασφάλισης 2. Κάτω κάλυμμα

9. Ενώ πιέζετε το κάτω κάλυμμα, περιστρέψτε το κάτω κάλυμμα δεξιόστροφα μέχρι το  στο κάτω κάλυμμα να ευθυγραμμιστεί με το  στο μοχλό ασφάλισης.

► **Εικ.35:** 1. Κάτω κάλυμμα

10. Να βεβαιώνετε ότι ο μοχλός ασφάλισης ταιριάζει στην εγκοπή στο κάτω κάλυμμα.

► **Εικ.36:** 1. Μοχλός ασφάλισης

**ΠΡΟΣΟΧΗ:** Μην χρησιμοποιείτε ποτέ το εργαλείο χωρίς να τοποθετήσετε το κάτω κάλυμμα.

11. Αφαιρέστε το κάλυμμα λαμών και μετά ενεργοποιήστε το εργαλείο για να ελέγξετε ότι λειτουργεί σωστά.

**ΕΙΔΟΠΟΙΗΣΗ:** Αν οι λάμες κουρευτικού δεν λειτουργούν σωστά, οι λάμες δεν δεσμεύονται σωστά στον στρόφαλο. Αφαιρέστε τις λάμες και τοποθετήστε τις ξανά.



## Τοποθέτηση ή αφαίρεση του συλλογέα θραυσμάτων

### Προαιρετικό εξάρτημα

**▲ ΠΡΟΣΟΧΗ:** Όταν τοποθετείτε ή αφαιρείτε τον συλλογέα θραυσμάτων, να φοράτε πάντα γάντια και να προσαρτάτε το κάλυμμα λαμών, ώστε τα χέρια και το πρόσωπό σας να μην έρχονται σε άμεση επαφή με τη λάμα.

Ο συλλογέας θραυσμάτων μαζεύει τα παραπεταμένα φύλλα και καθιστά τον μετέπειτα καθάρισμα πολύ πιο εύκολο. Μπορείτε να τον τοποθετήσετε σε οποιαδήποτε πλευρά του εργαλείου.

Για να εγκαταστήσετε τον συλλογέα θραυσμάτων, πατήστε τον επάνω στις λάμες κουρευτικού με τρόπο ώστε οι γάντζοι να ταιριάζουν στις σπές των λαμών κουρευτικού. **▶ Εικ.37:** 1. Γάντζοι 2. Σπές

Για να αφαιρέσετε τον συλλογέα θραυσμάτων, πατήστε τους μοχλούς και στις δύο πλευρές για να απασφαλίσετε τους γάντζους. **▶ Εικ.38:** 1. Μοχλοί

**ΕΙΔΟΠΟΙΗΣΗ:** Μην δοκιμάζετε ποτέ να αφαιρέσετε τον συλλογέα θραυσμάτων με υπερβολική δύναμη, με τους γάντζους ασφαλισμένους στις σπές των λαμών.

## ΛΕΙΤΟΥΡΓΙΑ

**▲ ΠΡΟΕΙΔΟΠΟΙΗΣΗ:** Πριν το κούρεμα, καθαρίστε τα ξύλα και τις πέτρες από την περιοχή που θα κούρεψετε. Επιπλέον, καθαρίστε εκ των προτέρων τυχόν αγριόχορτα από την περιοχή που θα κούρεψετε.

**▶ Εικ.39**

**▲ ΠΡΟΕΙΔΟΠΟΙΗΣΗ:** Να διατηρείτε τα χέρια σας μακριά από τις λάμες.

**▲ ΠΡΟΣΟΧΗ:** Αποφύγετε τη λειτουργία του εργαλείου σε πολύ ζεστό καιρό, όσο αυτό είναι εφικτό. Όταν χρησιμοποιείτε το εργαλείο, να προσέχετε τη σωματική σας κατάσταση.

## Κούρεμα (για κουρευτικό γκαζόν)

Ενεργοποιήστε το εργαλείο αφού προσαρμόσετε το ύψος κούρεματος και κρατήστε το ώστε το κάτω μέρος του εργαλείου να ακουμπάει στο έδαφος. Μετακινήστε απαλά το εργαλείο προς τα μπροστά. **▶ Εικ.40**

Όταν ψαλιδίζετε γύρω από πεζοδρόμια, φράχτες ή δέντρα, να μετακινείτε το εργαλείο κατά μήκος αυτών. Προσέχετε ώστε οι λάμες να μην έρθουν σε επαφή με αυτά. **▶ Εικ.41**

Όταν ψαλιδίζετε βλαστάρια ή φυλλώματα ενός μικρού δέντρου, να ψαλιδίζετε λίγο-λίγο.

**▶ Εικ.42**

Ψαλιδίστε τα μεγάλα κλαδιά στο επιθυμητό ύψος χρησιμοποιώντας κλαδευτήρες πριν χρησιμοποιήσετε αυτό το εργαλείο.

**ΕΙΔΟΠΟΙΗΣΗ:** Μην χρησιμοποιείτε το εργαλείο με τρόπο ώστε να προκαλείται η διακοπή του μοτέρ ή η υπερβολικά αργή περιστροφή.

**ΕΙΔΟΠΟΙΗΣΗ:** Μην επιχειρήσετε να κόψετε παχιά κλαδιά.

**ΕΙΔΟΠΟΙΗΣΗ:** Κατά τη διάρκεια της λειτουργίας, μην αφήνετε τις λάμες κουρευτικού να έρθουν σε επαφή με το έδαφος. Οι λάμες δεν θα είναι κοφτερές, προκαλώντας κακή απόδοση.

**ΕΙΔΟΠΟΙΗΣΗ:** Μην ψαλιδίζετε το βρεγμένο γκαζόν ή τα φυλλώματα μικρών δέντρων.

## Κούρεμα μακριού γκαζόν

Μην επιχειρήσετε να κόψετε μακρύ γκαζόν με τη μία. Αντ' αυτού, κούρεψτε το γκαζόν σε στάδια. Αφήστε μία ή δύο μέρες ανάμεσα στα κουρέματα, μέχρι το γκαζόν να είναι ομοιόμορφα κοντό.

**▶ Εικ.43**

**ΠΑΡΑΤΗΡΗΣΗ:** Αν κούρεψετε το μακρύ γκαζόν κοντό με τη μία μπορεί να έχει ως αποτέλεσμα να νεκρωθεί το γκαζόν.

## Ψαλίδισμα (για ψαλίδι μπορντούρας)

**▲ ΠΡΟΣΟΧΗ:** Κατά το ψαλίδισμα, προσέχετε να μην έρθει το εργαλείο σε επαφή με μεταλλικό φράχτη ή άλλα σκληρά αντικείμενα. Οι λάμες μπορεί να σπάσουν και να προκαλέσουν τραυματισμό.

**▲ ΠΡΟΣΟΧΗ:** Προσέξτε να μην αφήσετε τις λάμες κουρευτικού να έρθουν σε επαφή με το έδαφος. Διαφορετικά το εργαλείο μπορεί να ανατυλιχτεί και να προκαλέσει τραυματισμό.

**▲ ΠΡΟΣΟΧΗ:** Είναι εξαιρετικά επικίνδυνο να τεντώνετε με το ψαλίδι μπορντούρας, ειδικά όταν βρίσκεστε επάνω σε σκάλα. Μην εργάζεστε ενώ στέκεστε επάνω σε ο,τιδήποτε ασταθές ή αδύναμο.

**ΕΙΔΟΠΟΙΗΣΗ:** Μην επιχειρήσετε να κόβετε κλαδιά με διάμετρο μεγαλύτερη από 10 mm με το εργαλείο. Κόψτε τα κλαδιά στα 10 cm κάτω από το ύψος κοπής χρησιμοποιώντας κλαδευτήρες πριν χρησιμοποιήσετε το εργαλείο.

**▶ Εικ.44:** (1) Ύψος κοπής (2) 10 cm

**ΕΙΔΟΠΟΙΗΣΗ:** Μην κόβετε νεκρά δέντρα ή παρόμοια σκληρά αντικείμενα. Μπορεί να προκληθεί ζημιά στο εργαλείο.

**ΕΙΔΟΠΟΙΗΣΗ:** Μην ψαλιδίζετε το γκαζόν ή τα αγριόχορτα ενώ χρησιμοποιείτε τις λάμες κουρευτικού. Οι λάμες μπορεί να μπερδευτούν στο γκαζόν ή στα αγριόχορτα.

Κρατήστε το εργαλείο με το ένα χέρι, τραβήξτε τη σκαν-  
δάλη διακόπτη ενώ πατάτε το κουμπί ασφάλισης και  
μετά μετακινήστε το προς τα μπροστά.

► **Εικ.45**

Για βασική λειτουργία, γείρετε τις λάμες προς την κατεύ-  
θυνση ψαλιδίσματος και μετακινήστε τις ήρεμα και αργά  
με ταχύτητα 3 έως 4 δευτερόλεπτα το μέτρο.

► **Εικ.46**

Αν δέσετε ένα σκονίι στο επιθυμητό ύψος και ψαλιδίσετε  
κατά μήκος αυτού, διευκολύνετε ώστε να κουρέψετε το  
πάνω μέρος της μπορντούρας ομοιόμορφα.

► **Εικ.47**

Αν ο συλλογέας θραυσμάτων είναι προσαρτημένος στις  
λάμες, μαζεύει τα παρατεταμένα φύλλα και καθιστά τον  
μετέπειτα καθάρισμα πολύ πιο εύκολο.

Για να κόψετε ομοιόμορφα την πλευρά μπορντούρας,  
να κουρεύετε από το κάτω μέρος προς τα πάνω.

► **Εικ.48**

Όταν ψαλιδίζετε για να δώσετε ένα στρογγυλό σχήμα  
(ψαλίδισμα πινακίου ή ροδόδεντρου, κτλ.), να ψαλιδίζετε  
από τη ρίζα προς τα πάνω, για ένα όμορφο τελείωμα.

► **Εικ.49**

## ΣΥΝΤΗΡΗΣΗ

**⚠ ΠΡΟΣΟΧΗ:** Πριν την εκτέλεση εργασιών επιθε-  
τικής συντήρησης, πάντοτε να βεβαιώνετε  
ότι η συσκευή απενεργοποιήθηκε και η κασέτα  
μπαταριών έχει αφαιρεθεί.

Για τη διατήρηση της ΑΣΦΑΛΕΙΑΣ και ΑΞΙΟΠΙΣΤΙΑΣ του  
προϊόντος, οι επισκευές και οποιαδήποτε άλλη εργασία  
συντήρησης ή ρύθμισης πρέπει να εκτελούνται από εξου-  
σιοδοτημένα ή εργοστασιακά κέντρα εξυπηρέτησης της  
Makita, χρησιμοποιώντας πάντοτε ανταλλακτικά της Makita.

## Καθαρισμός του εργαλείου

Καθαρίστε το εργαλείο σκουπίζοντας τη σκόνη με ένα  
στεγνό πανί ή ένα πανί διαποτισμένο με σαπουνόνερο  
αφού πρώτα το έχετε στύψει.

**ΕΙΔΟΠΟΙΗΣΗ:** Μην χρησιμοποιείτε ποτέ βεν-  
ζίνη, πετρελαϊκό αιθέρα, διαλυτικό, αλκοόλη ή  
παρόμοιες ουσίες. Μπορεί να προκληθεί απο-  
χρωματισμός, παραμόρφωση ή ρωγμές.

## Συντήρηση λαμών

Πριν τη λειτουργία ή μία φορά κάθε ώρα κατά τη διάρκεια  
της λειτουργίας, εφαρμόστε λάδι χαμηλού ιξώδους (μηχα-  
νέλαιο ή λιπαντικό λάδι σε μορφή σπρέι) στις λάμες.

► **Εικ.50**

► **Εικ.51**

Μετά τη λειτουργία, αφαιρέστε τη σκόνη και από τις δύο  
πλευρές των λαμών με μια συμπίετη βούρτσα, σκουπίστε  
τις με ένα πανί και μετά εφαρμόστε λάδι χαμηλού ιξώδους  
(μηχανέλαιο ή λιπαντικό λάδι σε μορφή σπρέι) στις λάμες.

► **Εικ.52**

► **Εικ.53**

**ΕΙΔΟΠΟΙΗΣΗ:** Μην πλένετε τις λάμες σε νερό. Αν  
το κάνετε αυτό, μπορεί να προκληθεί σκουριά ή ζημιά  
στο εργαλείο.

**ΕΙΔΟΠΟΙΗΣΗ:** Το χρώμα και η διάβρωση μπο-  
ρούν να προκαλέσουν υπερβολική τριβή στις  
λάμες και μείωση του χρόνου λειτουργίας ανά  
φόρτιση της μπαταρίας.

## Αποθήκευση

Η οπή γάντζου στο κάτω μέρος του εργαλείου χρησι-  
μεύει για το κρέμασμα του εργαλείου σε καρφί ή βίδα  
στον τοίχο.

Προσαρτήστε το κάλυμμα λαμών στις λάμες κου-  
ρευτικού με τρόπο ώστε οι λάμες να μην εκτεθούν.  
Αποθηκεύστε το εργαλείο μακριά από παιδιά. Φυλάξτε  
το εργαλείο σε ένα μέρος που δεν εκτίθεται στην υγρα-  
σία και τη βροχή.

► **Εικ.54:** 1. Οπή

► **Εικ.55:** 1. Οπή

## ΠΡΟΑΙΡΕΤΙΚΑ ΕΞΑΡΤΗΜΑΤΑ

**⚠ ΠΡΟΣΟΧΗ:** Αυτά τα εξαρτήματα ή προσαρ-  
τήματα συνιστώνται για χρήση με το εργαλείο  
Makita που περιγράφτηκε στις οδηγίες αυτές. Η  
χρήση οποιωνδήποτε άλλων εξαρτημάτων ή προ-  
σαρτημάτων μπορεί να προκαλέσει κίνδυνο τραυμα-  
τισμού σε άτομα. Να χρησιμοποιείτε τα εξαρτήματα ή  
προσαρτήματα μόνο για την χρήση που προορίζονται.

Εάν χρειάζεστε οποιαδήποτε βοήθεια για περισσότερες  
πληροφορίες σε σχέση με αυτά τα εξαρτήματα, απαν-  
θείτε στο τοπικό σας κέντρο εξυπηρέτησης Makita.

- Διάταξη λαμών κουρευτικού (για χρήση του κου-  
ρευτικού γκαζόν)
- Κάλυμμα λαμών κουρευτικού (για χρήση του  
κουρευτικού γκαζόν)
- Συλλογέας γρασιδιού (για χρήση του κουρευτικού  
γκαζόν)
- Προσάρτημα μακριάς λαβής (για χρήση του κου-  
ρευτικού γκαζόν)
- Διάταξη λαμών κουρευτικού (για χρήση του ψαλι-  
διού μπορντούρας)
- Κάλυμμα λαμών κουρευτικού (για χρήση του  
ψαλιδιού μπορντούρας)
- Συλλογέας θραυσμάτων (για χρήση του ψαλιδιού  
μπορντούρας)
- Θήκη αποθήκευσης
- Γνήσια μπαταρία και φορτιστής της Makita

**ΠΑΡΑΤΗΡΗΣΗ:** Μερικά στοιχεία στη λίστα μπορεί να  
συμπεριλαμβάνονται στη συσκευασία εργαλείου ως  
στάνταρ εξαρτήματα. Μπορεί να διαφέρουν ανάλογα  
με τη χώρα.

## TEKNİK ÖZELLİKLER

Model:	UM110D		
Kesim genişliği	110 mm		
Dakikadaki darbe sayısı	2.500 min <sup>-1</sup>		
Yedek keski bıçakları parça numarası	Çim makası	191N23-4, 195267-4	
	Çit budama	191N24-2, 198408-1	
Ebat (U x G x Y)	331 mm x 120 mm x 130 mm		
Nominal voltaj	D.C. 18 V		
Net ağırlık	1,4 kg - 1,5 kg		

- Sürekli yapılan araştırma ve geliştirmelerden dolayı, burada belirtilen özellikler önceden bildirilmeksizin değiştirilebilir.
- Özellikler ve batarya kartuşu ülkeden ülkeye değişebilir.
- Ağırılık, ekli aksesuara/aksesuarlara ve batarya kartuşuna bağlı olarak farklılık gösterebilir. EPTA-Prosedürü 01/2014'e göre en hafif ve en ağır kombinasyonlar tabloda verilmiştir.

### Geçerli batarya kartuşu ve şarj aleti

Batarya kartuşu	BL1813G / BL1815G
Şarj aleti	DC18WA

- Yukarıda listelenen batarya kartuşlarının ve şarj aletlerinin bazıları yaşadığınız bölgeye bağlı olarak mevcut olmayabilir.

**⚠ UYARI:** Sadece yukarıda listelenen batarya kartuşlarını ve şarj aletlerini kullanın. Başka batarya kartuşlarının ve şarj aletlerinin kullanılması yaralanma ve/veya yangına neden olabilir.

### Semboller

Ekipmanı için kullanılacak semboller aşağıda gösterilmiştir. Kullanmadan önce anlamlarını anladığınızdan emin olun.

	Çok özenli ve dikkatli kullanın.
	Eİ kitabını okuyun.
	Tehlike; sıçrayan nesnelere korunun.
	Etrafınızdaki kişileri aletten uzak tutun.
	Kesme aracı, motor kapatıldıktan sonra dönmeye devam eder.
	Neme maruz bırakmayın.
	Güvenlik gözlüğü takın.
	TEHLİKE - Elleri bıçaktan uzak tutun.



Sadece AB ülkeleri için  
Ekipmanda tehlikeli bileşenler bulunduğundan dolayı atık elektrikli ve elektronik ekipmanlar, aküler ve bataryalar çevre ve insan sağlığı üzerinde olumsuz etkiye yol açabilir.

Elektrikli ve elektronik cihazları veya bataryaları evsel atıklarla birlikte atmayın!  
Atık elektrikli ve elektronik ekipmanlar ile akümülatörler ve bataryalar hakkındaki Avrupa Direktifi ve söz konusu direktifin ulusal yasalara uyarlanması gereğince atık elektrikli ekipmanlar, bataryalar ve akümülatörler ayrı olarak depolanmalı ve çevre koruma hakkındaki mevzuata uygun olarak faaliyet gösteren ayrı bir kentsel atık toplama noktasına teslim edilmelidir.  
Bu husus, ekipmanın üzerine yerleştirilmiş üzerinde çarpı işareti bulunan tekerlekli çöp kovası simgesi ile belirtilmiştir.



AB Dış Mekan Gürültü Direktifi uyarınca garanti edilen ses gücü seviyesi.



Australya NSW Gürültü Kontrol Mevzuatı uyarınca ses gücü seviyesi

### Kullanım amacı

Bu alet çim alanların kenarlarını ve sürgünleri kesmek için tasarlanmıştır.

## Gürültü

Tipik A-ağırlıklı gürültü düzeyi (EN50636-2-94 standardına göre belirlenen):

### UM110D (çim makası için keski bıçağı takılı halde)

Ses basınç seviyesi ( $L_{pA}$ ): 70 dB (A)

Belirsizlik (K): 1,9 dB (A)

İşlem sırasında gürültü seviyesi 80 dB (A)'yi geçebilir.

Tipik A-ağırlıklı gürültü düzeyi (EN62841-4-2 standardına göre belirlenen):

### UM110D (çit budama için keski bıçağı takılı halde)

Ses basınç seviyesi ( $L_{pA}$ ): 70 dB(A)

Belirsizlik (K): 3 dB(A)

İşlem sırasında gürültü seviyesi 80 dB (A)'yi geçebilir.

**NOT:** Beyan edilen gürültü emisyonu değer(ler)i bir standart test yöntemine uygun şekilde ölçülmüştür ve bir aleti bir başkasıyla karşılaştırmak için kullanılabilir.

**NOT:** Beyan edilen gürültü emisyonu değer(ler)i bir ön maruz kalma değerlendirmesi olarak da kullanılabilir.

**UYARI:** Kulak koruyucuları takın.

**UYARI:** Elektrikli aletin gerçek kullanımı sırasındaki gürültü emisyonu, aletin kullanım biçimlerine, özellikle işlenen iş parçasının türüne bağlı olarak beyan edilen değer(ler)den farklı olabilir.

**UYARI:** Gerçek kullanım koşullarındaki tahmini maruziyeti baz alan, operatörü koruyacak güvenlik önlemlerini mutlaka belirleyin (çalışma döngüsü içerisinde aletin kapalı olduğu ve aktif durumda olmasının yanı sıra boşta çalıştığı zamanlar gibi, bütün zaman dilimleri göz önünde bulundurarak).

## Titreşim

Titreşim toplam değeri (Üç eksenli vektör toplamı) (EN50636-2-94 standardına göre hesaplanan):

### UM110D (çim makası için keski bıçağı takılı halde)

Titreşim emisyonu ( $a_h$ ): 2,5 m/s<sup>2</sup>'den az

Belirsizlik (K) : 1,5 m/s<sup>2</sup>

Titreşim toplam değeri (Üç eksenli vektör toplamı) (EN62841-4-2 standardına göre hesaplanan):

### UM110D (çit budama için keski bıçağı takılı halde)

Titreşim emisyonu ( $a_h$ ): 2,5 m/s<sup>2</sup>'den az

Belirsizlik (K) : 1,5 m/s<sup>2</sup>

**NOT:** Beyan edilen titreşim toplam değer(ler)i bir standart test yöntemine uygun şekilde ölçülmüştür ve bir aleti bir başkasıyla karşılaştırmak için kullanılabilir.

**NOT:** Beyan edilen titreşim toplam değer(ler)i bir ön maruz kalma değerlendirmesi olarak da kullanılabilir.

**UYARI:** Elektrikli aletin gerçek kullanımı sırasındaki titreşim emisyonu, aletin kullanım biçimlerine, özellikle işlenen iş parçasının türüne bağlı olarak beyan edilen değer(ler)den farklı olabilir.

**UYARI:** Gerçek kullanım koşullarındaki tahmini maruziyeti baz alan, operatörü koruyacak güvenlik önlemlerini mutlaka belirleyin (çalışma döngüsü içerisinde aletin kapalı olduğu ve aktif durumda olmasının yanı sıra boşta çalıştığı zamanlar gibi, bütün zaman dilimleri göz önünde bulundurarak).

## EC Uygunluk Beyanı

### Sadece Avrupa ülkeleri için

EC uygunluk beyanı bu kullanım kılavuzuna Ek A olarak eklenmiştir.

## GÜVENLİK UYARILARI

### Genel elektrikli alet güvenliği uyarıları

**UYARI:** Bu elektrikli aletle birlikte sunulan tüm güvenlik uyarılarını, talimatları, çizimleri ve teknik özellikleri okuyun. Aşağıda verilen talimatlara uyulmaması elektrik şoku, yangın ve/veya ciddi yaralanmalar ile sonuçlanabilir.

### Tüm uyarıları ve talimatları iletiride başvurmak için saklayın.

Uyarılardaki "elektrikli alet" terimi ile ya prizden çalışan (kordonlu) elektrikli aletiniz ya da kendi aküsü ile çalışan (kordonsuz) elektrikli aletiniz kastedilmektedir.

### Akülü Çim Makası Güvenlik Uyarıları

#### Genel Talimatlar

- Doğru çalışmayı sağlamak için, kullanıcı bu kullanım kılavuzunu okuyup aletin kullanımına aşina olmalıdır. Bilgi seviyesi yetersiz kullanıcılar, hatalı kullanımdan dolayı kendilerini ve başkalarını tehlikeye atarlar.
- Fiziksel, duysal ya da zihinsel yetenekleri kısıtlı olan veya deneyim ya da bilgileri olmayan ya da bu talimatlara makineyi kullanacak kadar aşina olmayan kişilerin ve çocukların makineyi kullanmasına asla izin vermeyin. Yerel düzenlemeler operatörün yaşına kısıtlama getirebilir.
- Aleti azami özen ve dikkatle kullanın.
- Aleti yalnızca fiziksel durumunuz uygunsa kullanın. Tüm işlerinizi sakın ve dikkatli bir şekilde yürütün. Sağduyulu davranın ve diğer insanlara ya da mallarına gelecek zararlardan ve kazalardan kullanıcının sorumlu olduğunu unutmayın.
- Makineyi asla çevresinde insanlar, özellikle de çocuklar veya evcil hayvanlar varken kullanmayın.
- Alette herhangi bir sorun ya da anormal bir işaret olduğunda motor derhal kapatılmalıdır.
- İnsanların veya aletin zarar görmesini önlemek için, dinlenirken veya aletin başından ayrılırken aleti kapatın, batarya kartuşunu çıkarın ve aleti güvenli bir yere kaldırın.
- Özellikle yıldırım düşmesi riski olan kötü hava koşullarında makineyi kullanmaktan kaçının.

#### Kişisel koruyucu ekipmanlar

- Makineyi kullanırken daima koruyucu gözlük takın ve dayanıklı ayakkabılar girin.
- Makineyi kullanırken daima sağlam ayakkabılar ve uzun pantolonlar giyin.

#### Aletin başlatılması

- Yakınlarda çocuk ya da başka insanlar olmadığından emin olun, ayrıca çalışılan çevrede hiçbir hayvan olmasına da özen gösterin. Aksi takdirde aleti kullanmayı durdurun.

2. Kullanmadan önce daima aletin işlem için güvenli olduğundan emin olun. Kolay ve doğru çalışmak için kesici parçanın, siperin ve anahtar tetiğinin/kolunun güvenliğini kontrol edin. Kolların temiz ve kuru olduğunu kontrol edin ve başlatma/durdurma düğmesinin çalışmasını test edin.
3. Aleti daha fazla kullanmadan önce hasar görmüş parçaları kontrol edin. Hasar görmüş siper ya da başka bir parça, uygun şekilde çalşıp çalışmayacağını ve amaçlanan işlevi görüp göremeyeceğini belirlemek amacıyla, dikkatli bir şekilde kontrol edilmelidir. Hareketli parçaların hizalanmalarını, bağlantılarını, parçalardaki kırıkları, montajlarını ve işleyişi etkileyebilecek başka durumları kontrol edin. Hasar görmüş siper ya da başka bir parça, bu kullanım kılavuzunda başka bir yer belirtilmediği sürece yetkili servis tarafından onarılmalı ya da değiştirilmelidir.
4. Sadece elleriniz ve ayaklarınız kesici parçadan uzaktayken motoru açık konuma getirin.
5. Kullanmaya başlamadan önce, kesici parçanın herhangi bir nesne ile temas etmediğinden emin olun.

#### Çalıştırma yöntemi

1. Aleti sadece iyi ışıkta ve görünürlükte kullanın. Kış mevsiminde kaygan veya ıslak alanlara, buz ve kara dikkat edin (kayma riski). Eğimli yerlerde adımlarınıza dikkat edin ve yürüyerek hareket etmeye, asla koşmamaya dikkat edin.
2. Kesici parçanın ayaklarınızı ve ellerinizi yaralamasına karşı dikkatli olun.
3. Asla bir merdivenin üzerinde durarak aleti çalıştırmayın.
4. Asla aletle birlikte kesim yapmak üzere ağaca çıkmayın.
5. Dengesiz zeminler üzerinde kesinlikle çalışmayın.
6. Çalışma alanı içerisinde bulunan kum, taş, çivi vs. gibi yabancı maddeleri temizleyin. Yabancı maddeler, kesici parçaya zarar verebilir ve kesici parçanın tehlikeli şekilde geri tepmesine neden olabilir.
7. Kesici parçanın taş ya da benzeri sert bir cisme çarpması halinde, derhal motoru durdurun ve kesici parçayı kontrol edin.
8. Kesici parçada hasar olup olmadığını sık ve düzenli olarak kontrol edin (tıklama-gürültü testi kullanılarak kılcal çatlaklar tespit edilebilir).
9. Kesim işlemine başlamadan önce, kesici parçanın tam çalışma hızına ulaşmasını bekleyin.
10. Kesici parça uygun bir siperle donatılmalıdır. Makineyi asla hasarlı siperlerle ya da siperler yerinde olmadan çalıştırmayın.
11. Çalışma sırasında makine ile birlikte gelen tüm koruyucu kurulumlar ve siperler kullanılmalıdır.
12. Şu durumlarda her zaman batarya kartuşunu aletten çıkarın:
  - aleti gözetimsiz bırakırken;
  - bir tıkanıklığı temizlemeden önce;
  - kontrol etmeden, temizlemeden ve alet üzerinde çalışmadan önce;
  - yabancı bir cisme çarptıktan sonra;
  - alet olağan dışı bir şekilde titremeye başladığında.
13. Havalandırma deliklerinin toz birikintilerine karşı temiz tutulduğundan daima emin olun.
14. Kesme aracı, motor kapatıldıktan sonra dönme devam eder.

15. Çalışma sırasında bıçakların arasında yabancı maddelerin sıkışmasından dolayı bıçaklar hareket etmeyi kesirse aleti kapatın ve batarya kartuşunu çıkarın, ardından yabancı maddeleri pense, vb. kullanarak çıkarın. Yabancı maddelerin elle çıkarılması, yabancı maddeleri çıkarmaya tepki olarak bıçaklar hareket edebileceğinden dolayı yaralanmaya neden olabilir.

#### Kesici Parçalar

Sadece, gerçekleştireceğiniz iş için uygun kesici parçayı kullanın.

#### Bakım talimatları

1. Çalışmaya başlanılmadan önce makinenin, özellikle de kesici parça ve koruyucu aletlerin durumu kontrol edilmelidir.
2. Bakım yapmadan, kesici parçayı değiştirmeden veya aleti veya kesici parçayı temizlemeden önce motoru kapatın ve batarya kartuşunu çıkarın.
3. Kullanılmadığı zaman aletler içinde, kuru bir ortamda, çocukların ulaşamayacağı yüksek veya kilitli bir yerde saklanmalıdır. Saklamadan önce temizleme ve bakım işlemlerini gerçekleştirin.

## BU TALİMATLARI SAKLAYIN.

**⚠UYARI:** Ürünü kullanırken (defalarca kullanınca kazanılan) rahatlık ve tanıdıklık duygusunun ilgili ürünün güvenlik kurallarına sıkı sıkıya bağlı kalmanızı yerine geçmesine İZİN VERMEYİN. YANLIŞ KULLANIM veya bu kullanma kılavuzunda belirtilen emniyet kurallarına uymama ciddi yaralanmaya neden olabilir.

## Akülü Çit Budama Güvenlik Uyarıları

1. Vücudunuzun tüm kısımlarını bıçaktan uzak tutun. Bıçaklar hareket halindeyken kesilen malzemeyi çıkarmaya ve kesilecek malzemeyi tutmaya çalışmayın. Anahtar kapatıldıktan sonra bıçaklar hareket etmeye devam eder. Çit budamayı kullanırken bir anlık dikkatsizlik ciddi bir yaralanmaya sonuçlanabilir.
2. Çit budamayı, bıçak durmuş halde ve hiçbir güç anahtarını kullanmaksızın dikkat ederek koldan tutarak taşıyın. Çit budamanın doğru bir şekilde taşınması, istemsiz başlatma ve bunun sonucunda bıçaklardan kaynaklanan yaralanma riskini azaltır.
3. Çit budamayı naklemeden veya saklarken bıçak kılıfını daima takın. Çit budamanın doğru bir şekilde kullanılması, bıçaklardan kaynaklanan yaralanma riskini azaltır.
4. Sıkışan maddeleri çıkarırken veya üniteye bakım yaparken tüm güç anahtarlarını kapatın ve batarya takımının çıkarılmış veya ayrılmış olduğundan emin olun. Sıkışan maddeleri çıkarırken veya üniteye bakım yaparken çit budamanın beklenmedik şekilde çalışmaya başlaması ciddi yaralanmalara neden olabilir.
5. Bıçak gizli kablolarla temas edebileceği için, çit budamayı sadece yalıtımlı kavrama yüzeylerinde tutun. Bıçakların "akımlı" bir telle temas etmesi çit budamanın yalıtımsız metal kısımlarını "akımlı" hale getirebilir ve kullanıcıyı elektrik şokuna maruz bırakabilir.
6. Tüm elektrik kablolarını kesim alanından uzak tutun. Elektrik kabloları çitlere veya çalılara saklanabilir ve bıçak tarafından yanlışlıkla kesilebilir.
7. Özellikle yıldırım düşmesi riski olan kötü hava koşullarında çit budamayı kullanmayın. Bu şekilde yıldırım çarpma riskini azaltabilirsiniz.

## İlave Güvenlik Talimatları

### Hazırlık

1. **Aleti çalıştırmadan önce çitleri ve çalılıkları, tel örgü veya gizli kablo gibi yabancı maddelere karşı kontrol edin.**
2. **Alet, çocuklar ve 18 yaşın altındaki gençler tarafından kullanılmamalıdır.** 16 yaşın üzerindeki gençler, bir uzmanın gözetiminde eğitim alıyorsa bu kısıtlamadan muaf tutulabilirler.
3. **Aleti ilk kez kullanacak olanlar, nasıl kullanabileceklerini gösteren deneyimli bir kullanıcıdan yardım almalıdır.**
4. **Aleti sadece fiziksel durumunuz uygunsa kullanın.** Yorgunsanız dikkatiniz azalır. Özellikle çalışma gününün son saatlerinde dikkatli olun. Tüm işlerinizi sakın ve dikkatli bir şekilde yürütün. Üçüncü taraflar üzerinde meydana gelebilecek tüm zararlardan kullanıcı sorumludur.
5. **Aleti alkol, uyuşturucu ya da ilaçların etkisi altındayken asla kullanmayın.**
6. **Dayanıklı deriden yapılmış iş eldivenleri aletin temel ekipmanının parçasıdır ve aletle çalışırken daima giymelidir. Daima kaymaz tabanlı sağlam ayakkabılar giyin.**
7. **İşe başlamadan önce, aletin iyi ve güvenli bir şekilde çalışır durumda olduğundan emin olun. Siperlerin yerine düzgün bir şekilde takıldığını emin olun. Alet, tam olarak monte edilmediği durumlarda kullanılmamalıdır.**

### Çalıştırma

1. **Aleti kullanırken sıkıca tutun.**
2. **Alet, operatör tarafından zemin seviyesinde kullanılacak şekilde tasarlanmıştır. Aleti merdiven veya başka her türlü dengesiz destek üzerinde kullanmayın.**
3. **Aleti kullanırken aynı anda birden fazla kemer takımı ve/veya omuz askısı takmayın.**
4. **TEHLİKE - Ellerinizi bıçaktan uzak tutun. Bıçağa temas edilmesi ciddi yaralanmaya neden olur.**
5. **Aleti yağmurda veya ıslak ya da çok nemli koşullarda kullanmayın. Elektrikli motor su geçirmez değildir.**
6. **Çalışmaya başlamadan önce, yere sağlam bastığınızdan emin olun.**
7. **Aleti gereksiz yere yüksüz çalıştırmayın.**
8. **Keski bıçakları, tel örgüye ya da sert bir nesneye temas ederse aleti hemen kapatın ve batarya kartuşunu çıkarın. Bıçaklara zarar gelip gelmediğini kontrol edin ve zarar görmüş bıçakları hemen değiştirin.**
9. **Keski bıçaklarını kontrol etmeden, arızalarla ilgilenmeden ya da keski bıçaklarına takılan maddeyi çıkarmadan önce daima aleti kapatın ve batarya kartuşunu çıkarın.**
10. **Keski bıçaklarının asla kendinize veya başkalarına doğrultmayın.**
11. **Çalışma sırasında bıçakların arasına yabancı maddelerin sıkışmasından dolayı bıçaklar hareket etmeyi keserse aleti kapatın ve batarya kartuşunu çıkarın, ardından yabancı maddeleri pense, vb. kullanarak çıkarın. Yabancı maddelerin elle çıkarılması, yabancı maddeleri çıkarmaya tepki olarak bıçaklar hareket edebileceğinden dolayı yaralanmaya neden olabilir.**

12. **Tehlikeli ortamlardan kaçının. Aleti nemli ya da ıslak yerlerde kullanmayın ve yağmura maruz bırakmayın. Makinenin içine su girmesi elektrik çarpması riskini arttıracaktır.**

### Bakım ve saklama

1. **Herhangi bir bakım işlemi yapmadan önce aleti kapatın ve batarya kartuşunu çıkarın.**
2. **Aleti başka bir konuma taşımadan önce ve çalışma sırasında, daima batarya kartuşunu çıkarın ve keski bıçaklarına bıçak kılıfı takın. Bıçaklar çıkarışın aleti kesinlikle taşımayın ya da nakletmeyin. Bıçakları asla elinize kavramayın.**
3. **Kullanımın ardından ve aleti uzun bir süre boyunca saklayacağınız zaman, aleti ve özellikle keski bıçaklarını temizleyin. Bıçakları hafifçe yağlayın ve bıçak kılıfını takın.**
4. **Aleti bıçak kılıfı takılı olarak, kuru bir odada saklayın. Çocukların ulaşamayacağı yerlerde saklayın. Aleti asla dışarıda saklamayın.**
5. **Bataryayı/bataryaları ateşe atmayın. Batarya hücresi patlayabilir. Bertaraf etmeye ilişkin olası özel talimatlar için yerel yönetmelikleri kontrol edin.**
6. **Batarya/bataryaları açmayın ya da batarya(lar) üzerinde değişiklik yapmayın. Ortaya çıkan elektrolit aşındırıcıdır ve gözlere ya da cilde zarar verebilir. Yutulduğu takdirde zehirli olabilir.**
7. **Bataryayı yağmurda veya ıslak yerlerde şarj etmeyin.**

## BU TALİMATLARI SAKLAYIN.

**⚠UYARI:** Ürünü kullanırken (defalarca kullanınca kazanılan) rahatlık ve tanıdıklık duygusunun ilgili ürünün güvenlik kurallarına sıkı sıkıya bağlı kalmanın yerine geçmesine İZİN VERMEYİN. YANLIŞ KULLANIM veya bu kullanma kılavuzunda belirtilen emniyet kurallarına uymama ciddi yaralanmaya neden olabilir.

## Batarya kartuşu hakkında önemli güvenlik talimatları

1. **Batarya kartuşunu kullanmadan önce, tüm talimatları ve (1) batarya kartuşu, (2) batarya ve (3) ürün üzerindeki tüm uyarı işaretlerini okuyun.**
2. **Batarya kartuşunu parçalarına ayırmayın veya kurcalamayın. Yangın, aşırı ısı veya patlamaya neden olabilir.**
3. **Çalışma süresi aşırı derecede kısalırsa kullanmayı derhal bırakın. Aşırı ısınma, yanma riski hatta patlamaya neden olabilir.**
4. **Gözünüze elektrolit kaçarsa, gözlerinizi temiz suyla durulayın ve hemen tıbbi yardım alın. Görme kaybına yol açabilir.**
5. **Batarya kartuşuna kısa devre yaptırmayın:**
  - (1) **Terminallere herhangi bir iletken madde değdirmeyin.**
  - (2) **Batarya kartuşunu çiviler, madeni paralar, vb. gibi başka metal nesnelere aynı kaba koymaktan kaçının.**
  - (3) **Batarya kartuşunu yağmura ya da suya maruz bırakmayın.**

Kısa devre, büyük bir akım akışına, aşırı ısınmaya, olası yanıklara hatta bataryanın bozulmasına yol açabilir.

6. Aleti ve batarya kartuşunu sıcaklığın 50°C ya da daha yükseğe ulaştığı yerlerde saklamayın ve kullanmayın.
7. Aşırı derecede hasar görmüş ya da tamamen kullanılmaz durumda olsa bile batarya kartuşunu yakmayın. Batarya kartuşu ateşe atılırsa patlayabilir.
8. Batarya kartuşunu çivilemeyin, kesmeyin, ezmeyin, fırlatmayın, düşürmeyin ya da batarya kartuşuna sert bir nesne ile vurmayın. Bu eylemler yangın, aşırı ısı veya patlamaya neden olabilir.
9. Hasarlı bataryayı kullanmayın.
10. Aletin içerdiği lityum-iyon bataryalar Tehlikeli Eşyalar Yönetmeliğinin gereksinimlerine tabidir. Ticari nakliye işlemleri için, örneğin üçüncü taraflar, nakliye acenteleri tarafından yapılan nakliyelerde, paketlenme ve etiketleme gereksinimlerine uyulmalıdır. Nakliyesi yapılacak ürünün hazırlanması için, tehlikeli maddeler konusunda uzman bir kişiye danışın. Lütfen muhtemelen daha ayrıntılı olan ulusal yönetmeliklere de uyun. Açık kontakları bantlayın ya da maskeleyin ve bataryayı paketin içinde hareket etmeyecek şekilde paketleyin.
11. Batarya kartuşunu bertaraf ederken aletten çıkarın ve güvenli bir yerde bertaraf edin. Bataryanın bertaraf edilmesi ile ilgili yerel düzenlemelere uyunuz.
12. Bataryaları sadece Makita tarafından belirtilen ürünlerle kullanın. Bataryaların uyumsuz ürünlere takılması; yangın, aşırı ısınma, patlama ya da elektrolit sızıntısına neden olabilir.
13. Alet uzun süre kullanılmıyacaksa batarya aletten çıkarılmalıdır.
14. Kullanma sırasında ve sonrasında batarya kartuşu ısınarak yanıklara veya düşük sıcaklık yanıklarına yol açabilir. Sıcak batarya kartuşları ile işlem yaparken dikkat edin.
15. Yanıklara neden olabilecek kadar sıcak olabileceğinden kullandıktan hemen sonra aletin terminaline dokunmayın.
16. Batarya kartuşunun terminallerine, deliklerine ve kanallarına mıcır, toz veya toprak girmesine izin vermeyin. Aletin veya batarya kartuşunun zayıf performans göstermesine veya bozulmasına neden olabilir.
17. Alet yüksek gerilim elektrik güç hatlarına yakınında kullanımı desteklemediği sürece batarya kartuşunu yüksek gerilim elektrik güç hatlarının yakınında kullanmayın. Aletin veya batarya kartuşunun arızalanmasına veya bozulmasına neden olabilir.
18. Bataryayı çocuklardan uzak tutun.

## BU TALİMATLARI MUHAFAZA EDİNİZ.

**⚠DİKKAT:** Sadece orijinal Makita bataryalarını kullanın. Orijinal olmayan Makita bataryaları ya da üzerine değişiklik yapılmış bataryaların kullanımı bataryanın patlamasına ve sonuç olarak yangın, kişisel yaralanma ve hasara neden olabilir. Ayrıca Makita aleti ve şarj aletinin Makita tarafından sunulan garantisini de geçersiz olur.

## Maksimum batarya ömrü için ipuçları

1. Batarya kartuşunu tamamen boşalmadan önce şarj edin. Aletin gücünün zayıflamaya başladığını fark ettiğinizde aleti durdurun ve batarya kartuşunu şarj edin.
2. Tam dolu bir batarya kartuşunu asla yeniden şarj etmeyin. Aşırı şarj etme bataryanın hizmet ömrünü kısaltır.
3. Batarya kartuşunu 10 °C - 40 °C oda sıcaklığında şarj edin. Sıcak bir batarya kartuşunu şarj etmeden önce soğumasını bekleyin.
4. Batarya kartuşunu kullanmıyorken aletten veya şarj aletinden çıkarın.
5. Uzun bir süre (altı aydan daha fazla) kullanmadığınız durumlarda batarya kartuşunu şarj edin.

## İŞLEVSEL NİTELİKLER

**⚠DİKKAT:** Alet üzerinde ayarlama veya işleyiş kontrolü yapmadan önce aletin kapalı ve batarya kartuşunun ayrılmış olduğundan daima emin olun.

## Aletin akülü çit budama olarak kullanılması

Bu alet, çit budama için keski bıçakları takılarak akülü çit budama olarak kullanılabilir.

## Batarya kartuşunun takılması ve çıkarılması

**⚠DİKKAT:** Batarya kartuşunu takmadan ya da çıkarmadan önce aleti daima kapatın.

**⚠DİKKAT:** Batarya kartuşunu takarken veya çıkarırken aleti ve batarya kartuşunu sıkıca tutun. Aletin ve batarya kartuşunun sıkıca tutulmaması bunların düşürülmesine sebep olabilir ve alet ve batarya kartuşunun zarar görmesine ya da ciddi yaralanmasına yol açabilir.

► **Şek.1:** 1. Kırmızı göstergesi 2. Düğme 3. Batarya kartuşu

Batarya kartuşunu çıkarmak için, kartuşun ön tarafındaki düğmeyi kaydırarak kartuşu aletten çıkarın.

Batarya kartuşunu takmak için, batarya kartuşu üzerindeki diili yuvanın oluğu ile hizalayın ve kartuşu yerine oturtun. Kartuşu, küçük bir tık sesi ile yerine sabitlenene dek sonuna kadar ittirin. Şekilde gösterildiği gibi kırmızı göstergesi görülebiliyorsanız tam olarak kilitlenmemiş demektir.

**⚠DİKKAT:** Batarya kartuşunu daima kırmızı göstergesi görünmeyecek şekilde tam olarak takın. Yerine tam oturmazsa, aletten yanlışlıkla düşebilir, sizin ya da çevrenizdeki kişilerin yaralanmasına neden olabilir.

**⚠DİKKAT:** Batarya kartuşunu zorlayarak takmayın. Kartuş kolay bir şekilde kaymıyorsa doğru yerleştirilmemiş demektir.

## Alet/batarya koruma sistemi

Bu alet bir alet/batarya koruma sistemi ile donatılmıştır. Bu sistem motora giden gücü otomatik olarak keserek uzun alet ve batarya ömrü sağlar. Alet veya batarya için aşağıdaki durumlardan biri söz konusu olduğunda aletin işleyişi otomatik olarak durur:

### Aşırı yük koruması

Batarya, anormal derecede yüksek akım çekmesine neden olacak şekilde kullanıldığında, alet otomatik olarak durur. Bu durumda, aleti kapatın ve aletin aşırı yüklenmesine neden olan uygulamayı durdurun. Daha sonra aleti yeniden başlaması için çalıştırın.

### Aşırı ısınma koruması

Batarya aşırı ısındığında, alet otomatik olarak durur. Bu durumda, yeniden çalıştırmadan önce aletin ve bataryanın soğumasını bekleyin.

### Aşırı deşarj koruması

Batarya kapasitesi yeterli olmadığında, alet otomatik olarak durur. Aleti açarsanız, motor tekrar çalışır fakat kısa zaman sonra durur. Bu durumda, bataryayı aletten çıkarın ve bataryayı tekrar şarj edin.

## Anahtar işlemleri

**⚠UYARI:** Batarya kartuşunu alete takmadan önce anahtar tetiğinin doğru çalıştığından ve birkıldığında "OFF" (kapalı) konumuna döndüğünden emin olun.

**⚠UYARI:** Güvenliğiniz için, bu alet istem dışı başlatmayı önlemek için bir güvenlik kilidi düğmesi ile donatılmıştır. Güvenlik kilidi düğmesine basmadan sadece anahtar tetik çekildiğinde çalışan bir aleti asla kullanmayın. Tamir için Makita Servis Merkezimize başvurun.

**⚠UYARI:** Kilit işlemini asla devre dışı bırakmanın veya güvenlik kilidi düğmesini bantlamayın.

**ÖNEMLİ NOT:** Güvenlik kilidi düğmesine basmadan anahtar tetiği zorla çekmeye çalışmayın. Anahtar kırılabilir.

► **Şek.2:** 1. Anahtar tetik 2. Güvenlik kilidi düğmesi

Anahtar tetiğinin kaza sonucu çekilmesini önlemek için, bir güvenlik kilidi düğmesi sunulmuştur. Aleti başlatmak için, güvenlik kilidi düğmesine bastırın ve anahtar tetiği çekin. Durdurmak için anahtar tetiği serbest bırakın. Güvenlik kilidi düğmesine sağ ya da sol taraftan basılabilir.

## Gösterge lambası

Kalan batarya kapasitesi düşük ya da boş olduğunda gösterge lambası yanıp sönmeye ya da yanmaya başlar. Alet aşırı yüklendiğinde de gösterge lambası yanar.

► **Şek.3:** 1. Gösterge lambası

### Lamba durumu ve yapılması gereken eylem

Gösterge lambası	Durum	Yapılacak iş
Lamba kırmızı yanıp sönüyor.	Kalan batarya kapasitesi düşüktür.	Bataryayı şarj edin.
Lamba kırmızı yanıyor. *	Kalan batarya kapasitesi boş olduğu için alet durmuştur.	Bataryayı şarj edin.
	Alet aşırı yüklenmeden dolayı durmuştur.	Aleti kapatın.

\* Gösterge lambasının yanmaya başlama zamanı çalışma ortamının sıcaklığına ve batarya kartuşunun koşullarına göre değişir.

## Bıçme yüksekliğinin ayarlanması (çim makası için)

### İsteğe bağlı aksesuarlar

**⚠DİKKAT:** Bıçme yüksekliğini değiştirirken bıçak kılıfını taktığınızdan emin olun ve parmaklarınızı alet ile çim yakalayıcı arasına sıkıştırmaya dikkat edin.

Çim yakalayıcının sabit konumu değiştirilerek, bıçme yüksekliği üç seviyede ayarlanabilir (15 mm, 20 mm ve 25 mm). Çim yakalayıcısız olarak bıçme yüksekliği yaklaşık 10 mm'dir.

1. Çim yakalayıcıyı aletin ön tarafına doğru kaydırın.  
► **Şek.4:** 1. Çim yakalayıcı

2. Çim yakalayıcıyı ok yönünde hareket ettirerek çim yakalayıcının sabit konumunu değiştirin.  
► **Şek.5**

**NOT:** Bıçme yüksekliği değeri, bir kılavuz değer olarak sunulur. Gerçek bıçme yüksekliği çim ve zemin koşullarına bağlı olarak değişebilir.

**NOT:** İstedığınız yüksekliği elde etmek için az görünen bir yerde bıçme denemesi yapın.

## MONTAJ

**⚠DİKKAT:** Alet üzerinde herhangi bir iş yapmadan önce aletin kapalı ve batarya kartuşunun ayrılmış olduğundan daima emin olun.

**⚠DİKKAT:** Keski bıçaklarını değiştirirken elleriniz ile yüzünüzün bıçakla doğrudan temas etmemesi için daima eldiven kullanın ve bıçak kılıfını takın.

**ÖNEMLİ NOT:** Keski bıçaklarını değiştirirken dişli ve krank bölümlerindeki gresi silmeyin.



## Bıçak kılıfının takılması veya çıkarılması

**⚠️ DİKKAT:** Bıçak kılıfını takarken veya çıkarırken bıçaklara dokunmamaya dikkat edin.

Bıçak kılıfını çıkarmak için, hafifçe çekin ve yana doğru kaydırın. Bıçak kılıfını takmak için, bu adımları tersten izleyin.

► Şek.6

## Çim yakalayıcının takılması veya çıkarılması

*İsteğe bağlı aksesuarlar*

**⚠️ DİKKAT:** Çim yakalayıcıyı takarken ve çıkarırken bıçak kılıfını taktığınızdan emin olun ve parmaklarınızı alet ile çim yakalayıcı arasına sıkıştırmamaya dikkat edin.

### Çim yakalayıcının takılması

1. Çim yakalayıcının menteşesini alet üzerindeki oluğa takın.

► Şek.7: 1. Menteşe 2. Çim yakalayıcı

2. Çim yakalayıcıyı aletin ön tarafına doğru kaydırırken ve ok yönünde hareket ettirirken, çim yakalayıcı üzerindeki çıkıntılar alet üzerindeki oluklarla aynı hizaya getirin.

► Şek.8

**ÖNEMLİ NOT:** Çim yakalayıcı üzerindeki çıkıntılar alet üzerindeki oluklarla hizalandıktan sonra çim yakalayıcının menteşesini alete zorla takmayın.

### Çim yakalayıcının çıkarılması

1. Çim yakalayıcıyı aletin ön tarafına doğru kaydırırken çim yakalayıcı üzerindeki çıkıntılar alet üzerindeki oluklardan çıkarın.

► Şek.9: 1. Çim yakalayıcı

2. Çim yakalayıcının menteşesini aletten çıkarın.

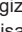
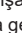
## Çim makası için keski bıçaklarının takılması veya çıkarılması

**ÖNEMLİ NOT:** Keski bıçakları dışında krank gibi parçalar yıpranırsa parça değişimi veya onarımlar için Makita yetkili servis merkezlerine başvurun.

### Keski bıçaklarının çıkarılması

1. Takılı ise çim yakalayıcıyı çıkarın. Aleti ters şekilde yerleştirin.

► Şek.10

2. Kilitleme mandalına bastırırken gizli kapağı saatin aksi yönde, gizli kapak üzerindeki  işareti kilitleme mandalı üzerindeki  ile aynı hizaya gelene kadar döndürün.

► Şek.11: 1. Gizli kapak 2. Kilitleme mandalı

3. Gizli kapağın, keski bıçaklarının ve krankın çıkarılması.

► Şek.12: 1. Gizli kapak 2. Keski bıçakları 3. Krank

## Keski bıçaklarının takılması

1. Krankı, gizli kapağı ve yeni keski bıçaklarını hazırlayın.

► Şek.13: 1. Krank 2. Gizli kapak 3. Keski bıçakları

2. Bıçak kılıfını eski keski bıçaklarından çıkarın ve ardından yenilerine takın.

► Şek.14: 1. Bıçak kılıfı

3. Üç pimi, hizalama çizgisinde aynı hizaya gelecek şekilde sıralayın.

► Şek.15: 1. Hizalama çizgisi

4. Krankın çevresine az bir miktar gres yağı uygulayın. Krankı, küçük ve büyük yuvarlaklar yukarı bakacak şekilde pimlere takın.

► Şek.16: 1. Krank

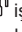

5. Kılavuz plakadaki delik ve bıçaklar üzerindeki iki çıkıntı aynı hizaya olacak şekilde bıçakları ve kılavuz plakayı ayarlayın.

► Şek.17: 1. Kılavuz plaka



6. Keski bıçaklarını ters çevirin ve alet üzerindeki pimlerle, kılavuz plakanın üzerindeki deliğe oturacak şekilde takın. Keski bıçaklarının yerlerine sıkıca sabitlendiğinden emin olun.

► Şek.18: 1. Kılavuz plaka

**NOT:** Bıçak kılıfının ileri doğru hafifçe kaydırılması keski bıçaklarının takılmasını kolaylaştırır.

7. Gizli kapağı, gizli kapağın üzerindeki  işareti, kilitleme mandalı üzerindeki  ile hizalanacak şekilde yerleştirin.

► Şek.19: 1. Gizli kapak 2. Kilitleme mandalı

8. Gizli kapağa bastırırken gizli kapağı saat yönünde, gizli kapak üzerindeki  işareti kilitleme mandalı üzerindeki  ile hizalanıncaya kadar döndürün.

► Şek.20: 1. Gizli kapak 2. Kilitleme mandalı

9. Kilitleme mandalının, gizli kapak üzerindeki oluğa tam olarak oturduğundan emin olun.

► Şek.21: 1. Kilitleme mandalı

**⚠️ DİKKAT:** Aleti asla gizli kapağı takmadan kullanmayın.

10. Bıçak kılıfını çıkarın ve ardından doğru çalışıp çalışmadığını kontrol etmek için aleti çalıştırın.

**ÖNEMLİ NOT:** Keski bıçakları doğru çalışmıyorsa bıçaklar krankı doğru bir şekilde kavramıyordur. Bıçakları çıkarıp yeniden takın.



## Çit budama için keski bıçaklarının takılması veya çıkarılması

**⚠️ DİKKAT:** Keski bıçaklarını takmadan veya çıkarmadan önce bıçak kılıfını takın.

**ÖNEMLİ NOT:** Keski bıçakları dışında krank gibi parçalar yıpranırsa parça değişimi veya onarımlar için Makita yetkili servis merkezlerine başvurun.

## Keski bıçaklarının çıkarılması

1. Aleti baş aşağı duracak şekilde yerleştirin.  
► **Şek.22**

2. Kilitleme mandalına bastırırken gizli kapağı saatın aksi yönde, gizli kapak üzerindeki  işareti kilitleme mandalı üzerindeki  ile aynı hizaya gelene kadar döndürün.  
► **Şek.23:** 1. Kilitleme mandalı 2. Gizli kapak

3. Gizli kapağı çıkarın.  
► **Şek.24:** 1. Gizli kapak

4. İki vidayı tornavidayla gevşetin ve keski bıçaklarını çıkarın.  
► **Şek.25:** 1. Vidalar

**NOT:** Keski bıçakları vidalar çıkarılmadan çıkarılabilir.

5. Keski bıçaklarından krankı çıkarın.  
► **Şek.26:** 1. Krank

**NOT:** Krank alette kalabilir.

**NOT:** Çıkarttığınız keski bıçaklarına bıçak kılıfını ve muhafaza kılıfını takın, ardından bıçakları muhafaza edin.

## Keski bıçaklarının takılması

1. Krankı, gizli kapağı ve yeni keski bıçaklarını hazırlayın.  
► **Şek.27:** 1. Krank 2. Gizli kapak 3. Keski bıçakları

2. Bıçak kılıfını keski bıçaklarına takın.  
► **Şek.28:** 1. Bıçak kılıfı

3. Üç pimi, hizalama çizgisinde aynı hizaya gelecek şekilde sıralayın.  
► **Şek.29:** 1. Hizalama çizgisi


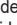
4. Krankın çevresine az bir miktar gres yağı uygulayın. Krankı, küçük ve büyük yuvarlaklar aşağı bakacak şekilde pimlere takın.  
► **Şek.30:** 1. Krank



5. Keski bıçaklarını kaydırarak kılavuz plakadaki deliğin, bıçakların halkalarının merkezine konumlanmasını sağlayın.  
► **Şek.31:** 1. Kılavuz plaka

6. Keski bıçaklarını ters çevirin ve alet üzerindeki pim, keski bıçaklarının üzerindeki deliğe oturacak şekilde takın. Kılavuz plakanın kısılcacını alet üzerindeki oluğa yerleştirin. Keski bıçaklarının yerlerine sıkıca sabitlendiğinden emin olun.  
► **Şek.32:** 1. Kıskaç 2. Kılavuz plaka

**NOT:** Bıçak kılıfının ileri doğru hafifçe kaydırılması keski bıçaklarının takılmasını kolaylaştırır.

7. İki vidayı tornavidayla iyice sıkın.  
► **Şek.33:** 1. Vidalar

8. Gizli kapağı, gizli kapağın üzerindeki  işareti, kilitleme mandalı üzerindeki  ile hizalanacak şekilde yerleştirin.  
► **Şek.34:** 1. Kilitleme mandalı 2. Gizli kapak

9. Gizli kapağa bastırırken gizli kapağı saat yönünde, gizli kapak üzerindeki  işareti kilitleme mandalı üzerindeki  ile hizalanıncaya kadar döndürün.  
► **Şek.35:** 1. Gizli kapak

10. Kilitleme mandalının, gizli kapak üzerindeki oluğa tam olarak oturduğundan emin olun.  
► **Şek.36:** 1. Kilitleme mandalı

**⚠DİKKAT:** Aleti asla gizli kapağı takmadan kullanmayın.

11. Bıçak kılıfını çıkarın ve ardından aletin doğru çalışıp çalışmadığını kontrol etmek için aleti çalıştırın.

**ÖNEMLİ NOT:** Keski bıçakları doğru çalışmıyorsa bıçaklar krankı doğru bir şekilde kavramıyordur. Bıçakları çıkarıp yeniden takın.

## Talaş yakalayıcının takılması veya çıkarılması

*İsteğe bağlı aksesuarlar*

**⚠DİKKAT:** Talaş yakalayıcıyı takarken veya çıkarırken elleriniz ile yüzünüzün bıçakla doğrudan temas etmemesi için daima eldiven kullanın ve bıçak kılıfını takın.

Talaş yakalayıcı atık yaprakları toplayarak işiniz bittikten sonra temizlik yapmayı kolaylaştırır. Aletin her iki yanına da takılabilir.

Talaş yakalayıcıyı takmak için, kancalar keski bıçaklarındaki deliklere oturacak şekilde talaş yakalayıcıyı keski bıçaklarına bastırın.

► **Şek.37:** 1. Kancalar 2. Delikler

Talaş yakalayıcıyı çıkarmak için, kancaları serbest bırakmak amacıyla mandallara her iki taraftan bastırın.

► **Şek.38:** 1. Mandallar

**ÖNEMLİ NOT:** Talaş yakalayıcı, bıçakların deliklerine kancalarıyla kilitlemiş durumdayken aşırı güç uygulayarak çıkarmaya çalışmayın.

## KULLANIM

**⚠UYARI:** Biçmeye başlamadan önce biçme alanındaki kalın dalları ve taşları kaldırın. Ayrıca yabancı otları da biçme alanından önceden temizleyin.

► **Şek.39**

**⚠UYARI:** Ellerinizi bıçaklardan uzak tutun.

**⚠DİKKAT:** Mümkünse, aleti çok sıcak havalarda kullanmaktan kaçının. Aleti kullanırken fiziksel durumunuza dikkat edin.

## Biçme (çim makası için)

Biçme yüksekliğini ayarladıktan sonra aleti çalıştırın ve aletin alt kısmı yere dayanacak şekilde tutun. Aleti hafifçe ilerletin.

► **Şek.40**

Kaldırım taşları, çitler veya ağaçların yakınında budama işlemi yaparken, aleti bu nesnelere boyunca hareket ettirin. Bıçakların bunlara temas etmemesi için dikkatli olun.

► **Şek.41**

Küçük bir ağacın sürgünlerini ya da yapraklarını budarken, azar azar budama yapın.

► **Şek.42**

Aleti kullanmadan önce, dal budayıcı kullanarak büyük dalları budayarak istenen yüksekliğe getirin.

**ÖNEMLİ NOT:** Aleti motoru durduracak ya da aşırı derecede yavaş dönmesine neden olacak şekilde kullanmayın.

**ÖNEMLİ NOT:** Kalın dalları kesmeye çalışmayın.

**ÖNEMLİ NOT:** Çalışma sırasında keski bıçaklarının yere temas etmesine izin vermeyin. Bıçaklar kırleşerek düşük performansına neden olur.

**ÖNEMLİ NOT:** Islak çimi ya da küçük ağaçların yapraklarını kesmeyin.

## Uzun çimlerin biçilmesi

Uzamiş çimleri bir seferde biçmeye çalışmayın. Bunun yerine, çimi kademeli olarak biçin. Çim eşit bir biçimde kısılana kadar biçme işlemleri arasında bir veya iki gün bırakın.

► **Şek.43**

**NOT:** Uzamiş çimlerin bir seferde kısaltılması çimin ölmesine sebep olabilir.

## Budama (çit budama için)

**⚠ DİKKAT:** Budama sırasında metal bir çite ya da başka sert nesnelere temas etmemeye dikkat edin. Bıçaklar kırılabilir ve yaralanmaya neden olabilir.

**⚠ DİKKAT:** Keski bıçaklarının yere temas etmesine izin vermeyin. Alet geri tepebilir ve yaralanmaya neden olabilir.

**⚠ DİKKAT:** Bir çit budama aletini normalde uzanamayacağınız bir yükseklik için kullanmaya çalışmak, özellikle de merdivene çıkıp kullanmaya çalışmak, aşırı derecede tehlikelidir. Sallanan veya zayıf bir zemin üzerinde dururken çalışmayın.

**ÖNEMLİ NOT:** Aletle, çapı 10 mm'den daha kalın dalları kesmeye çalışmayın. Aleti kullanmadan önce, dal budayıcı kullanarak dalları kesim yüksekliğinden 10 cm aşağıda olacak şekilde kesin.

► **Şek.44:** (1) Kesim yüksekliği (2) 10 cm

**ÖNEMLİ NOT:** Ölü ağaçları veya benzer sert nesnelere kesmeyin. Aksi takdirde alete hasar verebilirsiniz.

**ÖNEMLİ NOT:** Keski bıçaklarını kullanırken çimleri ya da yabancı otları biçmeyin. Bıçaklar çime ya da yabancı otlara dolanabilir.

Aleti bir elinizle tutup güvenlik kilidi düğmesine basarken anahtar tetiği çekin ve sonra da ileri yönde hareket ettirin.

► **Şek.45**

Temel çalışma için, bıçakları kesim yönünde eğin ve metre başına 3 ila 4 saniye bir hızla sakın ve yavaş bir biçimde hareket ettirin.

► **Şek.46**

İsteddiğiniz yüksekliğe bir ip bağlamak ve çitin üst kısmını bu ip boyunca kesmek çitin üst kısmını düzgün bir şekilde kesmenize yardımcı olur.

► **Şek.47**

Bıçaklara talaş yakalayıcı takıldığında, talaş yakalayıcı atık yaprakları toplayarak işiniz bittikten sonra temizlik yapmayı kolaylaştırır.

Çitin yan kısmını düzgün bir şekilde kesmek için aşağıdan yukarı doğru kesin.

► **Şek.48**

Yuvralık bir şekil elde etmek için budama yapılırken (şimsir veya orman gülü ve benzerinin budanması sırasında) iyi bir sonuç elde etmek için aşağıdan yukarıya doğru budama yapın.

► **Şek.49**

## BAKIM

**⚠ DİKKAT:** Muayene ya da bakım yapmadan önce aletin kapalı ve batarya kartuşunun çıkartılmış olduğundan daima emin olun.

Aleti EMNİYETLİ ve ÇALIŞMAYA HAZIR durumda tutmak için onarımlar, başka her türlü bakım ve ayarlamalar daima Makita yedek parçaları kullanılarak Makita yetkili servis merkezleri veya Fabrikanın Servis Merkezleri tarafından yapılmalıdır.

## Aletin temizlenmesi

Alet gövdesini kuru bir bezle veya sabunlu suya batırılıp sıkılmış bir bezle temizleyin.

**ÖNEMLİ NOT:** Benzin, tiner, alkol ve benzeri maddeleri kesinlikle kullanmayın. Renk değişimi, deformasyon veya çatlaklar oluşabilir.

## Bıçak bakımı

Çalışmadan önce veya çalışma sırasında saatte bir kez, bıçaklara düşük viskoziteli yağ (makine yağı ya da spray şeklinde yağ) uygulayın.

► **Şek.50**

► **Şek.51**

Çalışmanın ardından, bıçakların her iki tarafındaki tozları tel fırça ile giderin, bir bezle silin ve bıçaklara düşük viskoziteli yağ (makine yağı veya spray şeklinde yağ) uygulayın.

► **Şek.52**

► **Şek.53**

**ÖNEMLİ NOT:** Bıçakları suda yıkamayın. Bunu yapmak paslanmaya ya da alete zarar gelmesine neden olabilir.

**ÖNEMLİ NOT:** Kir ve korozyon bıçaklarda aşırı sürtünmeye neden olabilir ve bir seferlik batarya şarjıyla çalışılabilen süreyi kısaltır.

## Saklama

Aletin alt kısmındaki kanca deliği aleti bir çivi ya da vida kullanılarak duvara asmak için kullanışlıdır.

Bıçak kılıfını bıçaklar örtülecek şekilde keski bıçaklarına takın. Aleti çocukların erişemeyeceği bir yerde saklayın. Aleti neme ya da yağmura maruz kalmayan bir yerde saklayın.

► **Şek.54:** 1. Delik

► **Şek.55:** 1. Delik

# İSTEĞE BAĞLI AKSESUARLAR

**⚠ DİKKAT:** Bu aksesuarlar ve ek parçalar bu el kitabında belirtilen Makita aletiniz ile kullanılmak için tavsiye edilmektedir. Herhangi başka bir aksesuar ya da ek parça kullanılması insanlar için bir yaralanma riski getirebilir. Aksesuarları ya da ek parçaları yalnızca belirtilmiş olan kullanım amaçlarına uygun olarak kullanın.

Bu aksesuarlarla ilgili daha fazla bilgiye ihtiyaç duyar-sanız bulunduğunuz yerdeki yetkili Makita servisine başvurun.

- Keski bıçağı takımı (çim makası kullanımı için)
- Keski bıçağı kılıfı (çim makası kullanımı için)
- Çim yakalayıcı (çim makası kullanımı için)
- Uzun kol parçası (çim makası kullanımı için)
- Keski bıçağı takımı (çit budama kullanımı için)
- Keski bıçağı kılıfı (çit budama kullanımı için)
- Talaş yakalayıcı (çit budama kullanımı için)
- Muhafaza kılıfı
- Orijinal Makita batarya ve şarj aleti

**NOT:** Listedeki parçaların bazıları alet paketi içerisinde standart aksesuar olarak dahil edilmiş olabilir. Bunlar ülkeden ülkeye farklılık gösterebilir.

Makita Europe N.V. Jan-Baptist Vinkstraat 2,  
3070 Kortenberg, Belgium

Makita Corporation 3-11-8, Sumiyoshi-cho,  
Anjo, Aichi 446-8502 Japan

[www.makita.com](http://www.makita.com)

885851A997  
EN, FR, DE, IT, NL,  
ES, PT, DA, EL, TR  
20210211