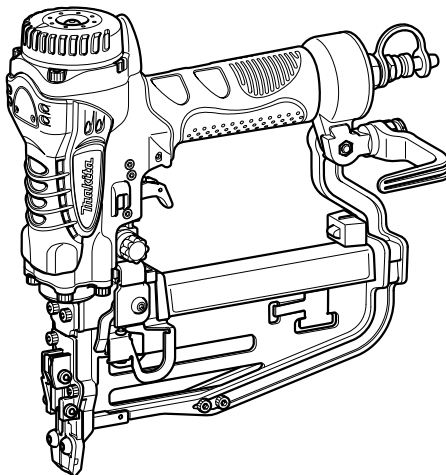
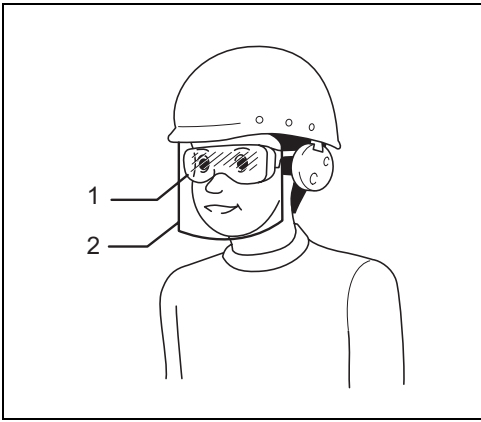




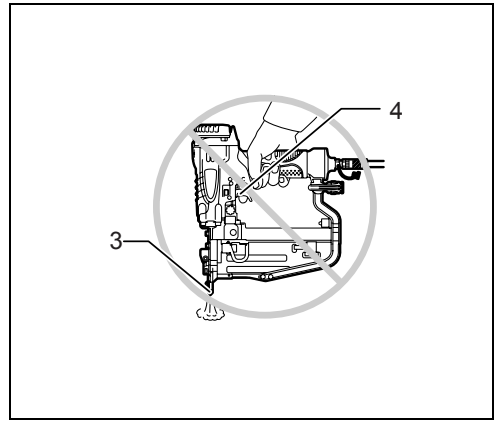
GB	Narrow Crown Stapler	Instruction manual
F	Agrafeuse pour agrafes à dos étroit	Manuel d'instructions
D	Schmalklammer-Drucklufthefter	Betriebsanleitung
I	Spillatrice a corona stretta	Istruzioni per l'uso
NL	Pneumatisch nagelpistool voor dakdekkers	Gebruiksaanwijzing
E	Grapadora de corona estrecha	Manual de instrucciones
P	Agrafador de coroa estreita	Manual de instruções
DK	Hæftepistol til smalle hæfteklammer	Brugsanvisning
GR	Συρραπτικό στενής στεφάνης	Οδηγίες χρήσης

AT450H

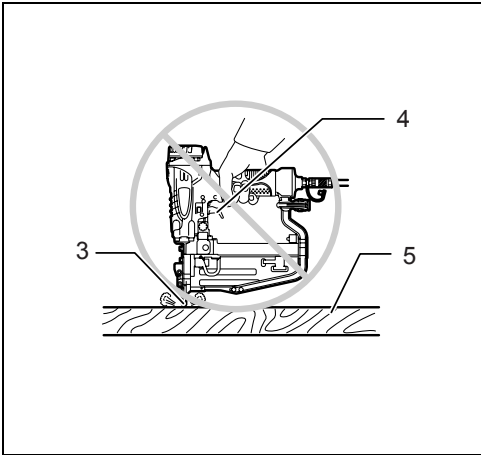




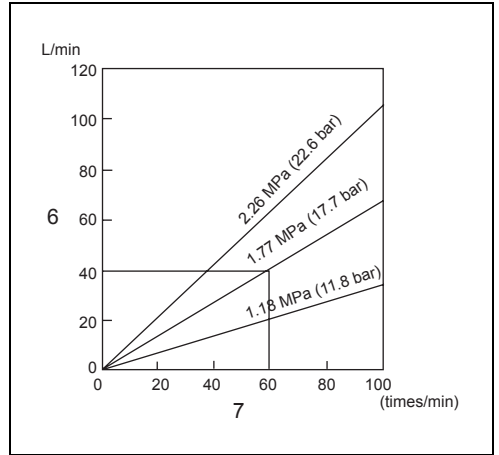
1



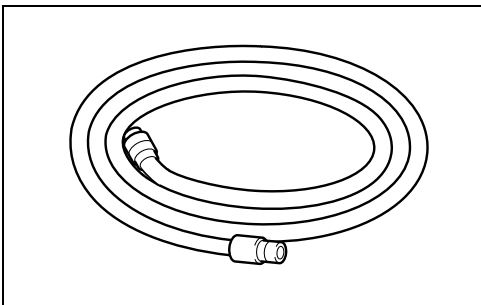
2



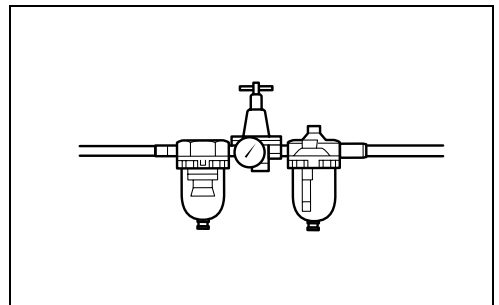
3



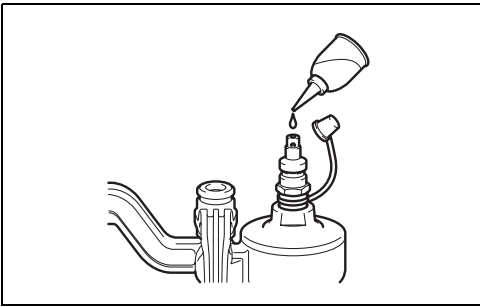
4



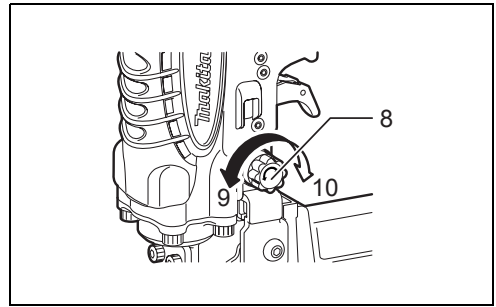
5



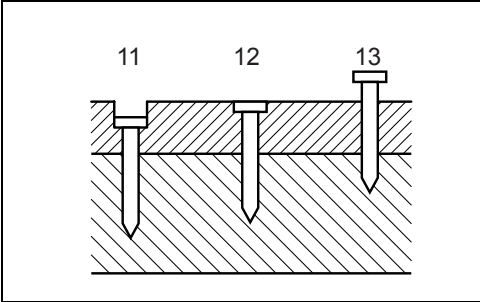
6



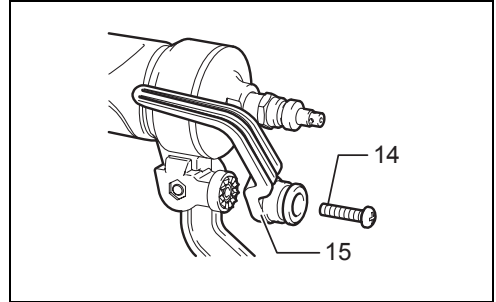
7



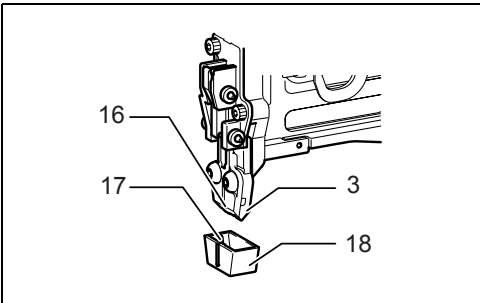
8



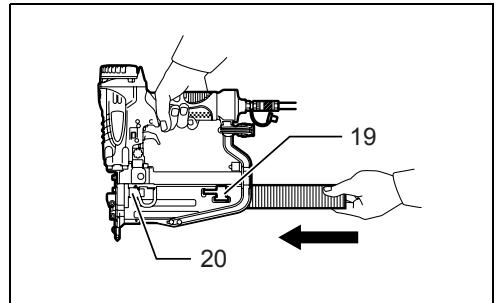
9



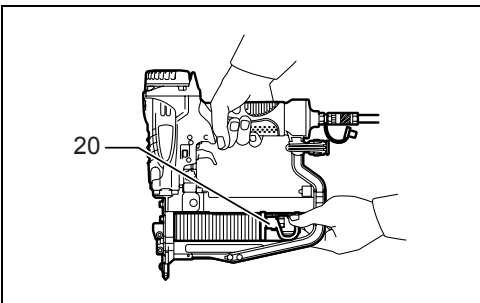
10



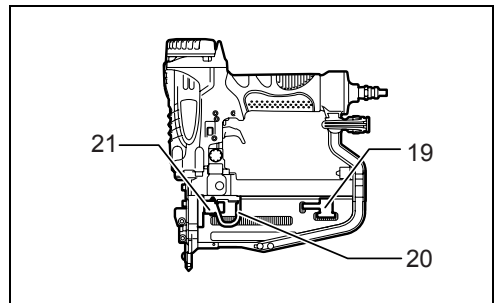
11



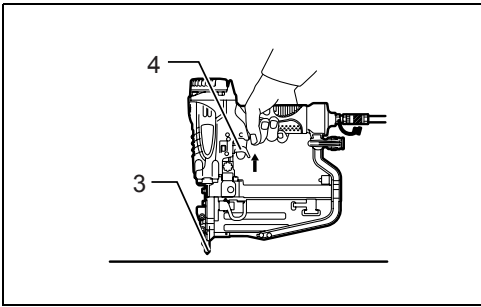
12



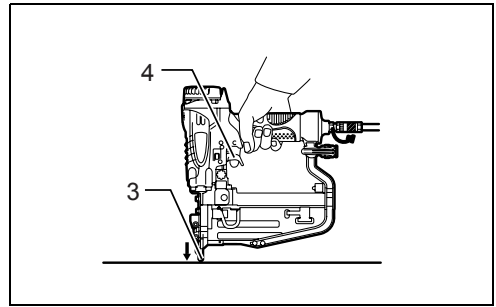
13



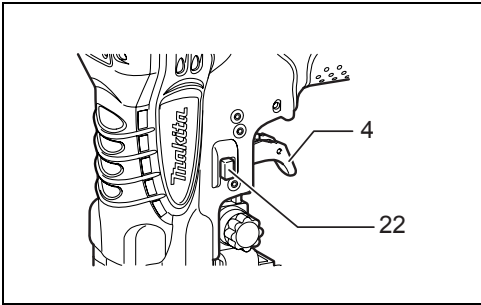
14



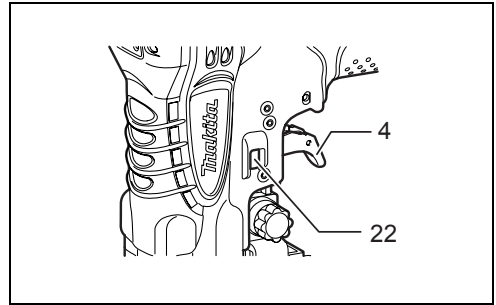
15



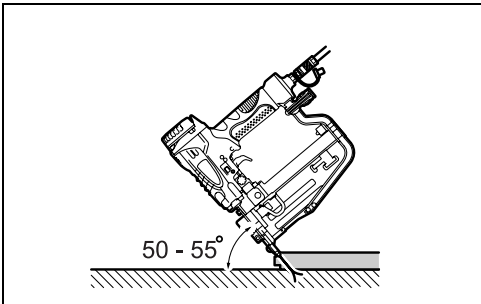
16



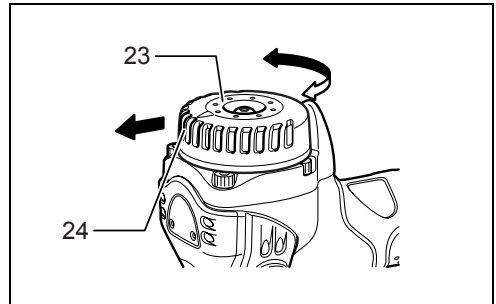
17



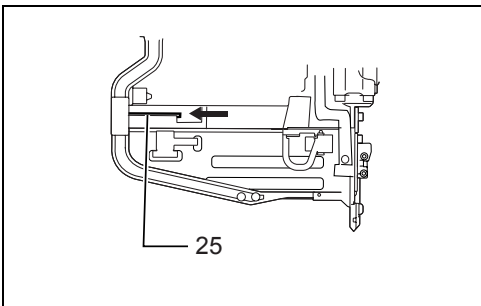
18



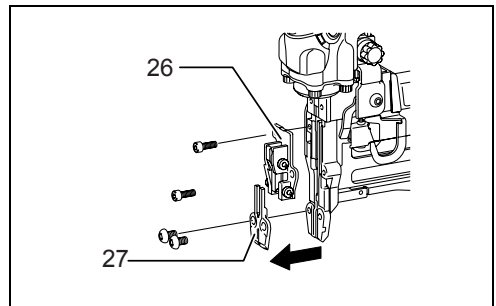
19



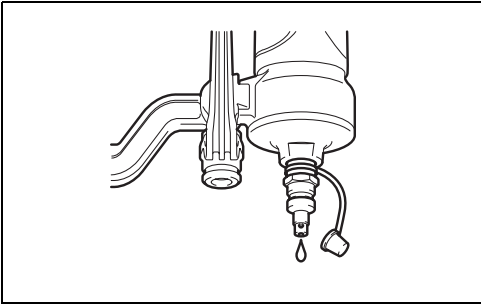
20



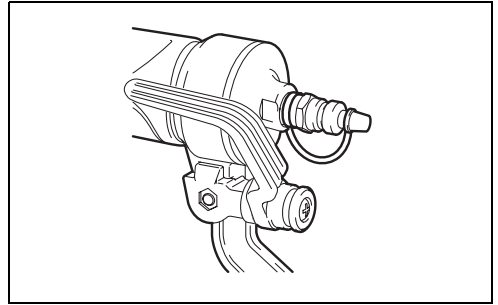
21



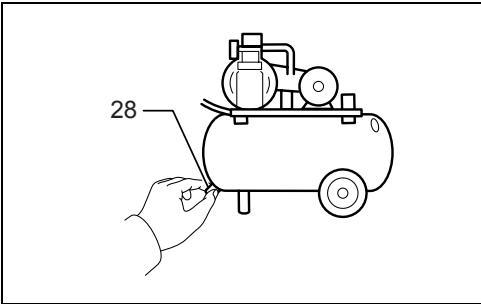
22



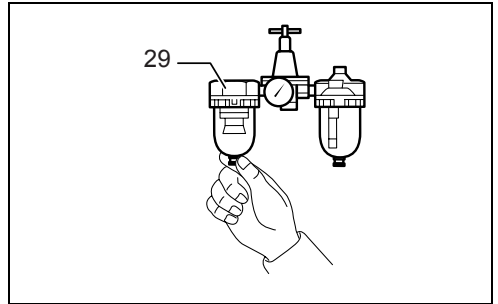
23



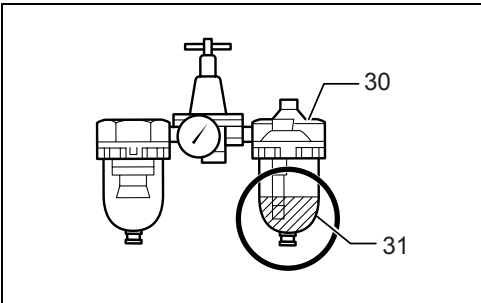
24



25



26



27



28

ENGLISH

Explanation of general view

- | | | |
|-------------------------------------|-----------------------|-------------------|
| 1. Safety glasses | 12. Flush | 23. Exhaust cover |
| 2. Face shield | 13. Too shallow | 24. Exhaust vent |
| 3. Contact element | 14. Screw | 25. Hex wrench |
| 4. Trigger | 15. Hook | 26. Front guide |
| 5. Workpiece | 16. Groove | 27. Contact top |
| 6. Compressor air output per minute | 17. Protrusion | 28. Drain cock |
| 7. Nailing frequency | 18. Flat nose adapter | 29. Air filter |
| 8. Adjuster | 19. Staple stopper | 30. Oiler |
| 9. Deep | 20. Pusher base | 31. Pneumatic oil |
| 10. Shallow | 21. Pusher | 32. Thinner |
| 11. Too deep | 22. Change lever | 33. Stove |

SPECIFICATIONS

Model	AT450H
Air pressure	1.28 - 2.26 MPa (12.8 - 22.6 bar)
Applicable staples	25 mm - 50 mm
Staple capacity	84 pcs. (1 strip), max. 105 pcs.
Min. hose diameter	5.0 mm
Dimensions (L X H X W)	261 mm X 115 mm X 269 mm
Net weight	1.4 kg

- Due to our continuing program of research and development, the specifications herein are subject to change without notice.
- Note: Specifications may differ from country to country.

Symbols

END106-2

The following show the symbols used for the equipment. Be sure that you understand their meaning before use.



..... Read instruction manual.



..... Wear safety glasses.



..... Do not use on scaffoldings, ladders.

Intended use

ENE054-1

The tool is intended for pressing staples into construction materials such as timbers.

IMPORTANT SAFETY INSTRUCTIONS

ENB112-1

WARNING: WHEN USING THIS TOOL, BASIC SAFETY PRECAUTIONS SHOULD ALWAYS BE FOLLOWED TO REDUCE THE RISK OF PERSONAL INJURY, INCLUDING THE FOLLOWING:

READ ALL INSTRUCTIONS.

- For personal safety and proper operation and maintenance of the tool, read this instruction manual before using the tool.
 - Always wear safety glasses to protect your eyes from dust or staple injury.
- WARNING:

It is an employer's responsibility to enforce the use of safety eye protection equipment by the tool operators and by other persons in the immediate working area.

- For Australia and New Zealand only
Always wear safety glasses and face shield to protect your eyes from dust or staple injury. The safety glasses and the face shield should conform with the requirements of AS/NZS 1336.
- WARNING:

It is an employer's responsibility to enforce the use of safety eye protection equipment by the tool operators and by other persons in the immediate working area. **(Fig. 1)**

- Wear hearing protection to protect your ears against exhaust noise and head protection. Also wear light but not loose clothing. Sleeves should be buttoned or rolled up. No necktie should be worn.
- Rushing the job or forcing the tool is dangerous. Handle the tool carefully. Do not operate when under the influence of alcohol, drugs or the like.
- General Tool Handling Guidelines:
 - (1) Always assume that the tool contains fasteners.
 - (2) Do not point the tool toward yourself or anyone whether it contains fasteners or not.
 - (3) Do not activate the tool unless the tool is placed firmly against the workpiece.
 - (4) Respect the tool as a working implement.
 - (5) No horseplay.
 - (6) Do not hold or carry the tool with a finger on the trigger.
 - (7) Do not load the tool with fasteners when any one of the operating controls is activated.

- (8) Do not operate the tool with any power source other than that specified in the tool operating/safety instructions.
- An improperly functioning tool must not be used.
- Sparks sometimes fly when the tool is used. Do not use the tool near volatile, flammable materials such as gasoline, thinner, paint, gas, adhesives, etc.; they will ignite and explode, causing serious injury.
- The area should be sufficiently illuminated to assure safe operations. The area should be clear and litter-free. Be especially careful to maintain good footing and balance.
- Only those involved in the work should be in the vicinity. Children especially must be kept away at all times.
- There may be local regulations concerning noise which must be complied with by keeping noise levels within prescribed limits. In certain cases, shutters should be used to contain noise.
- Do not play with the contact element: it prevents accidental discharge, so it must be kept on and not removed. Securing the trigger in the ON position is also very dangerous. Never attempt to fasten the trigger. Do not operate a tool if any portion of the tool operating controls is inoperable, disconnected, altered, or not working properly.
- Operate the tool within the specified air pressure of 1.28 - 2.26 MPa (12.8 - 22.6 bar) for safety and longer tool life. Do not exceed the recommended max. operating pressure of 2.26 MPa (22.6 bar). The tool should not be connected to a source whose pressure potentially exceeds 3.39 MPa (33.9 bar).
- Make sure that the pressure supplied by the compressed air system does not exceed the maximum allowable pressure of the fastener driving tool. Set the air pressure initially to the lower value of the recommended allowable pressure (see SPECIFICATIONS).
- Never use the tool with other than compressed air. If bottled gas (carbon dioxide, oxygen, nitrogen, hydrogen, air, etc.) or combustible gas (hydrogen, propane, acetylene, etc.) is used as a power source for this tool, the tool will explode and cause serious injury.
- Always check the tool for its overall condition and loose screws before operation. Tighten as required.
- Make sure all safety systems are in working order before operation. The tool must not operate if only the trigger is pulled or if only the contact arm is pressed against the wood. It must work only when both actions are performed. Test for possible faulty operation with staples unloaded and the pusher in fully pulled position.
- Check walls, ceilings, floors, roofing and the like carefully to avoid possible electrical shock, gas leakage, explosions, etc. caused by striking live wires, conduits or gas pipes.
- Use only staples specified in this manual. The use of any other staples may cause malfunction of the tool.
- Never use fastener driving tools marked with the symbol "Do not use on scaffoldings, ladders" for specific application for example:
 - when changing one driving location to another involves the use of scaffoldings, stairs, ladders, or ladder alike constructions, e.g. roof laths;
 - closing boxes or crates;
 - fitting transportation safety systems e.g. on vehicles and wagons.
- Do not permit those uninstructed to use the tool.
- Make sure no one is nearby before stapling. Never attempt to staple from both the inside and outside at the same time. staples may rip through and/or fly off, presenting a grave danger.
- Watch your footing and maintain your balance with the tool. Make sure there is no one below when working in high locations, and secure the air hose to prevent danger if there is sudden jerking or catching.
- On rooftops and other high locations, staple as you move forward. It is easy to lose your footing if you staple while inching backward. When stapling against perpendicular surface, staple from the top to the bottom. You can perform stapling operations with less fatigue by doing so.
- A staple will be bent or the tool can become jammed if you mistakenly staple on top of another staple or strike a knot in the wood. The staple may be thrown and hit someone, or the tool itself can react dangerously. Place the staples with care.
- Do not leave the loaded tool or the air compressor under pressure for a long time out in the sun. Be sure that dust, sand, chips and foreign matter will not enter the tool in the place where you leave it setting.
- Do not point the ejection port at anyone in the vicinity. Keep hands and feet away from the ejection port area.
- When the air hose is connected, do not carry the tool with your finger on the trigger or hand it to someone in this condition. Accidental firing can be extremely dangerous.
- Handle the tool carefully, as there is high pressure inside the tool that can be dangerous if a crack is caused by rough handling (dropping or striking). Do not attempt to carve or engrave on the tool.
- Stop stapling operations immediately if you notice something wrong or out of the ordinary with the tool.
- Always disconnect the air hose and remove all of the staples:
 - (9) When unattended.
 - (10) Before performing any maintenance or repair.
 - (11) Before cleaning a jam.
 - (12) Before moving the tool to a new location.
- Perform cleaning and maintenance right after finishing the job. Keep the tool in tip-top condition. Lubricate moving parts to prevent rusting and minimize friction-related wear. Wipe off all dust from the parts.
- Do not modify tool without authorization from Makita.
- Ask Makita's Authorized service centers for periodical inspection of the tool.
- To maintain product SAFETY and RELIABILITY, maintenance and repairs should be performed by Makita Authorized Service Centers, always using Makita replacement parts.
- Use only pneumatic tool oil specified in this manual.
- Never connect tool to compressed air line where the maximum allowable pressure of tool cannot be exceeded by 10%. Make sure that the pressure supplied by the compressed air system does not exceed the maximum allowable pressure of the fastener driving tool. Set the air pressure initially to the lower value of the recommended allowable pressure.

- Do not attempt to keep the trigger contact element depressed with tape or wire. Death or serious injury may occur.
- Always check contact element as instructed in this manual. Staples may be driven accidentally if the safety mechanism is not working correctly.

SAVE THESE INSTRUCTIONS.

Before use

WARNING:

- Never use the tool when the contact element does not work in order.

The tool works only when the contact element is placed against the workpiece and the trigger is pulled with the contact element being depressed. Before use, make sure that the contact element work in order by checking according to the following procedure.

1. Before checking, make sure that the tool is not loaded with staples.
2. Connect the air hose to the tool.
3. First pull the trigger only. And then release the trigger and place the contact element against the workpiece. (Fig. 2 & 3)
4. If the tool works in the above procedure, the contact element does not work in order.

INSTALLATION

Selecting compressor (Fig. 4)

The air compressor must comply with the requirements of EN60335-2-34.

Select a compressor that has ample pressure and air output to assure cost-efficient operation. The graph shows the relation between stapling frequency, applicable pressure and compressor air output.

Thus, for example, if stapling takes place at a rate of approximately 60 times per minute at a compression of 1.77 MPa (17.7 bar), a compressor with an air output over 40 liters/minute is required.

Pressure regulators must be used to limit air pressure to the rated pressure of the tool where air supply pressure exceeds the tool's rated pressure. Failure to do so may result in serious injury to tool operator or persons in the vicinity.

Selecting air hose (Fig. 5)

Use a high pressure resistant air hose.

Use an air hose as large and as short as possible to assure continuous, efficient stapling operation.

CAUTION:

- Low air output of the compressor, or a long or smaller diameter air hose in relation to the stapling frequency may cause a decrease in the driving capability of the tool.

Lubrication (Fig. 6)

To insure maximum performance, install an air set (oiler, regulator, air filter) as close as possible to the tool. Adjust the oiler so that one drop of oil will be provided for every 50 staples.

When an air set is not used, oil the tool with pneumatic tool oil by placing 2 (two) or 3 (three) drops into the air

fitting. This should be done before and after use. For proper lubrication, the tool must be fired a couple of times after pneumatic tool oil is introduced. (Fig. 7)

FUNCTIONAL DESCRIPTION

CAUTION:

- Always disconnect the hose before adjusting or checking function on the tool.

Adjusting depth of stapling

CAUTION:

- Always disconnect the hose before adjusting the depth of stapling. (Fig. 8 & 9)

If a staple is driven too deep, turn the adjuster clockwise.

If a staple is driven too shallow, turn the adjuster counterclockwise.

The adjustable range is 0 - 3 mm. (One full turn allows 0.8 mm adjustment.)

Hook

CAUTION:

- Always disconnect the hose when hanging the tool using the hook.
- Never hang the tool on a waist belt or like. Dangerous accidental firing may result. (Fig. 10)

The hook is convenient for hanging the tool temporarily.

The hook position can be changed.

When changing the installation position, remove the screw with a screwdriver. Install the hook in desired position and then secure it with the screw.

Flat nose adapter

CAUTION:

- Always disconnect the hose before installing or removing the flat nose adapter. (Fig. 11)

Before stapling on flat surface of workpiece, attach the flat nose adapter to the contact element.

To attach the nose adapter to the contact element, press it onto the contact element until the protrusion inside the nose adapter fits the groove in the contact element.

ASSEMBLY

CAUTION:

- Always disconnect the hose before carrying out any work on the tool.

Loading stapler

CAUTION:

- Always disconnect the hose before loading the tool or removing staples.
- Do not use deformed staples or staple strip. Failure to do so causes poor staple feeding.
- Always use staples specified in this instruction manual. Failure to do so causes poor staple feeding.
- Always return the pusher slowly and gently while holding it with a hand.
- Returning the pusher base with the pusher being pressed does not allow staples to be loaded. Do not press the pusher when loading. (Fig. 12)

Insert a strip of staples into the slit in the rear of the magazine until it overpasses the staple stopper. The tool accepts a strip of staples (84 pcs.) (Fig. 13) Pull the pusher base all the way to the rear of the magazine and return it slowly and gently to the original position.

Removing staples (Fig. 14)

Hold the tool that the rear of magazine faces downward. Pull the pusher base slightly, press the pusher from both sides and release the staples. Return the pusher base gently and slowly. Press the staple stopper and then take out the staples from the back of magazine.

Connecting air hose

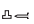

Slip the air socket of the air hose onto the air fitting on the stapler. Be sure that the air socket locks firmly into position when installed onto the air fitting. A hose coupling must be installed on or near the tool in such a way that the pressure reservoir will discharge at the time the air supply coupling is disconnected.

OPERATION

CAUTION:

- Make sure all safety systems are in working order before operation.
- 1. To drive a staple, you may place the contact element against the workpiece and pull the trigger, or (Fig. 15 & 16)
- 2. Pull the trigger first and then place the contact element against the workpiece.
- No. (1) method is for intermittent stapling, when you wish to drive a staple carefully and very accurately.
- No. (2) method is for continuous stapling.

CAUTION:

- However when the tool is set to the "Intermittent stapling" mode, WITH THE TRIGGER HELD IN A HALF-PULLED POSITION, an unexpected stapling could occur, if contact element is allowed to re-contact against the workpiece or the other surface under the influence of recoil. In order to avoid this unexpected stapling, perform as follows;
- A. Do not place the contact element against the workpiece with excessive force.
- B. Pull the trigger fully and hold it on for 1-2 seconds after stapling.
- For No. (1) method, set the change lever to the  position. For No. (2) method, set the change lever to the  position. After using the change lever to change the stapling method, always make sure that the change lever is properly set to the position for the desired stapling method. (Fig. 17 & 18)

Flooring

CAUTION:

- Tilting the tool too much tends to produce inflation on the surface of workpiece. Holding it too upright tends to cause a breakage of workpiece.

- Inflation or breakage on the stapled spot of workpiece of workpiece may occur depending on many stapling conditions, even when stapling holding the tool at the specified angle. Try on some test samples before actually stapling. (Fig. 19)

In stapling requiring accuracy, such as flooring, use in the "Intermittent stapling" mode.

When stapling, hold the tool tilting it at the angles 50° - 55° shown in the figure.

Anti dry fire mechanism

This is the mechanism that the tool prevents to be fired without nail.

Dry fire prevention automatically sets up when the rest of nails get to last approximately 5 pieces.

Direction of exhaust air (Fig. 20)

The direction of exhaust air can be changed 360 degrees of angle by turning the exhaust cover with a hand.

Removing jammed staples

WARNING:

- Always disconnect the hose before removing staplers. Remove the staples from the magazine. (Refer to the section titled "Removing staples".) (Fig. 21)
- Take out the hex wrench from the holder inside the magazine cover by pushing it from the front. (Fig. 22) Remove two screws securing the contact top with the hex wrench. The staple feeder guide will appear and clear jam. When being still unable to remove the locked-up nails, remove further two screws securing the front guide with the hex wrench to clear jam.

MAINTENANCE

CAUTION:

- Always disconnect the air hose from the tool before attempting to perform inspection or maintenance.

Maintenance of stapler

Always check the tool for its overall condition and loose screws before operation. Tighten as required. With tool disconnected, make daily inspection to assure free movement of the contact element and trigger. Do not use tool if the contact element or trigger sticks or binds.

Drain tool (Fig. 23)

Remove the hose from the tool. Place the tool so that the air fitting faces down to the floor. Drain as much as possible.

Cleaning of tool

Iron dust that adhere to the magnet can be blown off by using an air duster.

Cap

When not in use, disconnect the hose. Then cap the air fitting with the cap. (Fig. 24)

Storage

When not in use, the nailer should be stored in a warm and dry place.

Maintenance of compressor, air set and air hose (Fig. 25 & 26)

After operation, always drain the compressor tank and the air filter. If moisture is allowed to enter the tool, it may result in poor performance and possible tool failure.

Check regularly to see if there is sufficient pneumatic oil in the oiler of the air set. Failure to maintain sufficient lubrication will cause O-rings to wear quickly. (Fig. 27)

Keep the air hose away from heat (over 60°C, over 140°F), away from chemicals (thinner, strong acids or alkalis). Also, route the hose away from obstacles which it may become dangerously caught on during operation.

Hoses must also be directed away from sharp edges and areas which may lead to damage or abrasion to the hose. (Fig. 28)

To maintain product SAFETY and RELIABILITY, repairs, any other maintenance or adjustment should be performed by Makita Authorized Service Centers, always using Makita replacement parts.

ACCESSORIES

CAUTION:

- These accessories or attachments are recommended for use with your Makita tool specified in this manual. The use of any other accessories or attachments might present a risk of injury to persons. Only use accessory or attachment for its stated purpose.

If you need any assistance for more details regarding these accessories, ask your local Makita Service Center.

- Staples
- Air hoses
- Safety goggles

For European countries only

ENG045-2

Noise and Vibration

The typical A-weighted noise levels are

sound pressure level: 80 dB (A)

sound power level: 93 dB (A).

Wear ear protection.

The typical weighted root mean square acceleration value is not more than 2.5 m/s².

Uncertainty (K): 1.5 m/s².

These values have been obtained according to EN792.

EC-DECLARATION OF CONFORMITY

ENH013-7

Model; AT450H

We declare under our sole responsibility that this product is in compliance with the following standards of standardized documents;

EN792 in accordance with Council Directives, 98/37/EC.

CE 2008



Tomoyasu Kato
Director

Responsible Manufacturer:

Makita Corporation

3-11-8, Sumiyoshi-cho, Anjo, Aichi, JAPAN

Authorized Representative in Europe:

Makita International Europe Ltd.

Michigan Drive, Tongwell, Milton Keynes, Bucks MK15 8JD, ENGLAND

Descriptif

- | | | |
|---|-------------------------------|----------------------------------|
| 1. Lunettes de sécurité | 12. Encastré | 24. Sortie d'air |
| 2. Visière | 13. Trop peu profond | 25. Clé hexagonale |
| 3. Dispositif de contact | 14. Vis | 26. Guide avant |
| 4. Gâchette | 15. Fermoir | 27. Capuchon de contact |
| 5. Pièce à travailler | 16. Rainure | 28. Robinet de vidange |
| 6. Sortie d'air du compresseur par minute | 17. Partie saillante | 29. Filtre à air |
| 7. Fréquence d'agrafage | 18. Adaptateur de bec plat | 30. Huileur |
| 8. Bague de réglage | 19. Butoir d'agrafe | 31. Huile pour outil pneumatique |
| 9. Profond | 20. Base du pousseur | 32. Diluant |
| 10. Peu profond | 21. Pousseur | 33. Étude |
| 11. Trop profond | 22. Levier de changement | |
| | 23. Couvercle de sortie d'air | |

SPÉCIFICATIONS

Modèle	AT450H
Pression d'air	1,28 à 2,26 MPa (12,8 à 22,6 bar)
Agrafes compatibles	25 mm à 50 mm
Contenance en agrafes	84 agrafes (1 barrette), 105 agrafes au max.
Diamètre min. du tuyau	5,0 mm
Dimensions (L X H X P)	261 mm x 115 mm x 269 mm
Poids net	1,4 kg

- Étant donné l'évolution constante de notre programme de recherche et de développement, les spécifications contenues dans ce manuel sont sujettes à modification sans préavis.
- Remarque : les spécifications peuvent varier d'un pays à l'autre.

Symboles

END106-2

Les symboles utilisés pour l'outil sont indiqués ci-dessous. Assurez-vous d'avoir bien compris leur signification avant d'utiliser l'outil.



..... Reportez-vous au manuel d'instructions.



..... Portez des lunettes de sécurité.



..... N'utilisez pas l'outil sur un échafaudage ou une échelle.

Utilisations

ENE054-1

L'outil est conçu pour l'insertion d'agrafes dans des matériaux de construction tels que le bois.

CONSIGNES DE SÉCURITÉ IMPORTANTES

ENB112-1

AVERTISSEMENT : LORS DE L'UTILISATION DE CET OUTIL, VOUS DEVEZ TOUJOURS PRENDRE DES PRÉCAUTIONS ÉLÉMENTAIRES EN MATIÈRE DE SÉCURITÉ POUR RÉDUIRE LES RISQUES DE BLESSURE. CES PRÉCAUTIONS COMPRENNENT LES SUIVANTES :

LISEZ TOUTES LES INSTRUCTIONS.

- Pour votre propre sécurité et pour assurer le bon fonctionnement et la maintenance de l'outil, veuillez lire ce manuel d'instructions avant d'utiliser l'outil.
- Portez toujours des lunettes de sécurité pour protéger vos yeux du contact de la poussière ou d'une agrafe. **AVERTISSEMENT :** L'employeur a la responsabilité d'imposer le port d'un dispositif de protection des yeux aux utilisateurs de l'outil et à toute personne présente dans la zone de travail.
- Pour l'Australie et la Nouvelle-Zélande uniquement portez toujours des lunettes de sécurité et une visière pour protéger vos yeux du contact de la poussière ou d'une agrafe. Les lunettes de sécurité et la visière doivent être conformes aux exigences de la norme AS/NZS 1336. **AVERTISSEMENT :** L'employeur a la responsabilité d'imposer le port d'un dispositif de protection des yeux aux utilisateurs de l'outil et à toute personne présente dans la zone de travail. **(Fig. 1)**
- Portez une protection auditive pour protéger vos oreilles du bruit de l'échappement et portez un casque de sécurité. Portez également des vêtements légers mais non amples. Veuillez boutonner ou rouler vos manches. Ne portez pas de cravate.
- Il est dangereux de travailler trop vite ou d'appliquer une charge de travail excessive à l'outil. Manipulez l'outil avec précaution. N'utilisez pas l'outil si vous avez

- consommé de l'alcool, une drogue ou des médicaments, etc.
- Conseils généraux pour l'utilisation de l'outil :
 - (1) Gardez toujours à l'esprit que l'outil contient des agrafes.
 - (2) L'outil ne doit jamais être pointé vers vous-même ou vers une autre personne, qu'il contienne ou non des agrafes.
 - (3) Ne mettez pas l'outil en marche avant qu'il ne soit fermement placé sur la pièce à travailler.
 - (4) Respectez votre outil en tant qu'instrument de travail.
 - (5) Évitez tout chahut.
 - (6) L'outil ne doit jamais être saisi ou transporté en posant un doigt sur la gâchette.
 - (7) Ne mettez jamais d'agrafes dans l'outil alors que l'une de ses commandes est activée.
 - (8) Ne branchez jamais l'outil sur une source d'alimentation autre que celle spécifiée dans les instructions d'utilisation/de sécurité qui l'accompagnent.
 - Tout outil défectueux ne doit pas être utilisé.
 - Des étincelles s'échappent parfois de l'outil pendant son utilisation. N'utilisez pas l'outil près de substances ou matériaux volatiles ou inflammables tels que l'essence, le diluant, la peinture, le gaz, les adhésifs, etc. Ils risqueraient de prendre feu, d'exploser et de causer une blessure grave.
 - L'aire de travail doit être suffisamment éclairée pour assurer la sécurité du travail. L'aire de travail doit être maintenue propre et exempte de déchets. Veillez particulièrement à maintenir une bonne assise et une bonne position d'équilibre.
 - Seules les personnes qui participent au travail doivent pénétrer dans la zone de travail. Les enfants, tout particulièrement, doivent être constamment maintenus à l'écart.
 - Il se peut que des réglementations locales s'appliquent concernant les niveaux de bruit autorisés. Veuillez les respecter. Dans certains cas, des volets doivent être installés pour réduire le bruit.
 - Ne jouez pas avec le dispositif de contact : il empêche les décharges accidentelles, donc il doit être gardé activé et ne pas être désactivé. Il est également très dangereux de fixer la gâchette en position de marche. Ne tentez jamais d'immobiliser la gâchette. N'utilisez jamais un outil dont l'une des commandes est inutilisable, déconnectée, modifiée ou ne fonctionne pas correctement.
 - Utilisez l'outil avec la pression d'air spécifiée de 1,28 à 2,26 MPa (12,8 à 22,6 bar) par mesure de sécurité et pour prolonger la durée de service de l'outil. Ne dépassez pas la pression max. de fonctionnement recommandée de 2,26 MPa (22,6 bar). L'outil ne doit pas être raccordé à une source dont la pression peut dépasser 3,39 MPa (33,9 bar).
 - Assurez-vous que la pression fournie par le système d'air comprimé ne dépasse pas la pression maximale autorisée de l'agrafeuse. Réglez d'abord la pression d'air sur la plus basse valeur de pression permise recommandée (voir SPÉCIFICATIONS).
 - Cet outil doit être exclusivement utilisé avec de l'air comprimé. L'utilisation d'une bouteille de gaz (dioxyde de carbone, oxygène, nitrogène, hydrogène, air, etc.) ou de gaz combustible (hydrogène, propane, acétylène, etc.) comme source d'alimentation de cet outil entraînera une explosion et risque de causer une blessure grave.
 - Avant d'utiliser l'outil, assurez-vous qu'il est en bon état et qu'aucune de ses vis n'est desserrée. Le cas échéant, serrez les vis.
 - Assurez-vous que tous les dispositifs de sécurité sont en état de fonctionner avant d'utiliser l'outil. L'outil ne doit pas s'activer si vous appuyez uniquement sur la gâchette ou si vous appuyez simplement le dispositif de contact contre le bois. Il ne doit s'activer que lorsque ces deux actions sont exécutées. Recherchez un éventuel dysfonctionnement en effectuant un test avec des agrafes non chargées et le pousseur en position entièrement tirée.
 - Pour éviter tout risque de choc électrique, de fuite de gaz, d'explosion, etc., provoqué par le contact avec des fils dénudés, des conduites ou des tuyaux de gaz, vérifiez les murs, les plafonds, le plancher, le toit, etc.
 - N'utilisez que les agrafes spécifiées dans ce manuel. L'outil risque de mal fonctionner si vous utilisez tout autre type d'agrafe.
 - N'utilisez jamais les agrafeuses qui portent le symbole « Ne pas utiliser sur des échafaudages ou échelles » pour des travaux spécifiques, comme par exemple :
 - lorsque le changement de la position d'agrafage implique l'utilisation d'un échafaudage, d'un escalier ou d'une échelle, par ex. pour agraffer des lattes de toit ;
 - la fermeture de boîtes ou de caisses ;
 - l'installation de dispositifs de sécurité pour le transport, comme par exemple sur des véhicules ou des wagons.
 - Seules les personnes ayant pris connaissance du fonctionnement de l'outil doivent être autorisées à l'utiliser.
 - Avant de procéder à l'agrafage, assurez-vous que personne ne se trouve à proximité. Ne tentez jamais d'agrafer depuis l'intérieur et l'extérieur simultanément. Des agrafes pourraient jaillir et/ou voler en éclats, présentant un grave danger.
 - Regardez où vous posez les pieds et assurez-vous d'un bon équilibre pendant l'utilisation de l'outil. Assurez-vous qu'il n'y a personne au-dessous de vous lorsque vous travaillez dans un endroit élevé, et fixez le tuyau d'air de sorte qu'il ne risque pas de se détacher s'il est secoué ou s'il se coince.
 - Sur les toits et autres endroits élevés, agrafez en vous déplaçant vers l'avant. Vous pouvez facilement perdre pied si vous agrafez en vous déplaçant à reculons. Lorsque vous agrafez sur une surface verticale, faites-le du haut vers le bas. De cette façon le travail d'agrafage sera moins exigeant physiquement.
 - L'agrafe risque de se plier ou l'outil de se bloquer si vous agrafez par inadvertance dans un nœud ou sur une autre agrafe. L'agrafe risque alors d'être projetée et de frapper quelqu'un, ou bien l'outil lui-même risque de réagir de manière dangereuse. Choisissez l'emplacement des agrafes avec soin.
 - N'abandonnez pas un outil chargé ou un compresseur d'air sous pression exposé au soleil à l'extérieur pendant une période prolongée. Assurez-vous de toujours déposer l'outil là où la poussière, le sable, les

copeaux et corps étrangers ne risquent pas d'y pénétrer.

- Ne pointez jamais la sortie d'éjection vers une personne située à proximité. Gardez les mains et les pieds à l'écart de la zone de la sortie d'éjection.
- Pour transporter l'outil ou le donner à quelqu'un alors que le tuyau d'air est raccordé, ne posez pas le doigt sur la gâchette. Le déclenchement accidentel de l'outil peut être extrêmement dangereux.
- Manipulez l'outil prudemment, car la pression élevée à l'intérieur de l'outil représente un danger si une fissure est provoquée par une manipulation brusque (si vous échappez ou heurtez l'outil).

Ne tentez jamais de tailler ou graver une inscription sur l'outil.

- Cessez immédiatement de vous en servir si vous notez une anomalie ou un fonctionnement inhabituel de l'outil.
- Déconnectez toujours le tuyau d'air et retirez toutes les agrafes dans les cas suivants :
 - (9) Lorsque l'outil est laissé sans surveillance.
 - (10) Avant d'effectuer tout travail de maintenance ou de réparation sur l'outil.
 - (11) Avant de remédier à un blocage.
 - (12) Avant de déplacer l'outil vers un autre lieu.

- Procédez au nettoyage et à la maintenance de l'outil une fois le travail terminé. Maintenez l'outil en excellente condition. Lubrifiez les pièces mobiles pour éviter qu'elles ne rouillent et pour limiter l'usure liée à la friction. Retirez toute poussière déposée sur les pièces.

- Ne modifiez pas l'outil sans l'autorisation de Makita.
- Confiez régulièrement l'outil à un centre de service après-vente agréé Makita pour le faire inspecter.
- Pour maintenir la SÉCURITÉ et la FIABILITÉ de l'outil, sa maintenance et ses réparations doivent être effectuées dans un centre de service après-vente agréé Makita, exclusivement avec des pièces de rechange Makita.
- Utilisez exclusivement l'huile pour outil pneumatique spécifiée dans ce manuel.
- Ne connectez jamais l'outil à une conduite d'air comprimé sur laquelle la pression maximale autorisée de l'outil ne peut pas être dépassée de 10 %. Assurez-vous que la pression fournie par le système d'air comprimé ne dépasse pas la pression maximale autorisée de l'agrafeuse. Réglez d'abord la pression d'air sur la plus basse valeur de pression permise recommandée.
- N'essayez pas de garder le dispositif de contact de la gâchette enfoncé à l'aide de ruban adhésif ou de fil. Il y a risque de décès ou de blessure grave.
- Vérifiez toujours le dispositif de contact en suivant les instructions du présent manuel. Des agrafes risquent d'être éjectées accidentellement si le mécanisme de sécurité ne fonctionne pas correctement.

CONSERVEZ CES INSTRUCTIONS.

Avant d'utiliser l'outil

AVERTISSEMENT :

- N'utilisez jamais l'agrafeuse lorsque le dispositif de contact ne fonctionne pas correctement.

L'outil fonctionne uniquement lorsque le dispositif de contact est placé contre la pièce à travailler et la gâchette ainsi que le dispositif de contact enfoncés. Avant d'utiliser l'outil, assurez-vous que le dispositif de contact fonctionne correctement en le vérifiant comme suit :

1. Avant de procéder à la vérification, assurez-vous que des agrafes ne sont pas chargées dans l'outil.
2. Raccordez le tuyau d'air à l'outil.
3. Commencez par appuyer uniquement sur la gâchette. Ensuite, retirez votre doigt de la gâchette et placez le dispositif de contact contre la pièce à travailler. (**Fig. 2 et 3**)
4. Si l'outil fonctionne conformément à la procédure indiquée ci-dessus, le dispositif de contact présente un dysfonctionnement.

INSTALLATION

Sélection du compresseur (Fig. 4)

Le compresseur à air doit être conforme à la norme EN60335-2-34.

Sélectionnez un compresseur dont la pression et la sortie d'air sont suffisantes pour assurer un bon rapport coût-rendement lors de l'utilisation. Le graphique montre la relation entre la fréquence d'agrafage, la pression applicable et la sortie d'air du compresseur.

Ainsi, par exemple, si l'agrafage s'effectue à un taux d'environ 60 agrafes par minute avec une compression de 1,77 MPa (17,7 bar), un compresseur d'une sortie d'air supérieure à 40 litres/minute sera nécessaire.

Des régulateurs de pression doivent être utilisés pour limiter la pression d'air à la pression nominale de l'outil quand l'alimentation de la pression d'air excède la pression nominale de l'outil. Autrement il y a risque de blessure pour l'utilisateur ou les personnes se trouvant à proximité.

Sélection du tuyau d'air (Fig. 5)

Utilisez un tuyau d'air résistant aux pressions élevées. Utilisez un tuyau d'air aussi gros et court que possible pour assurer un agrafage continu et efficace.

ATTENTION :

- La capacité d'entraînement de l'outil risque de diminuer si la sortie d'air du compresseur est faible ou si le diamètre du tuyau d'air est trop grand ou trop petit par rapport à la fréquence d'agrafage de l'outil.

Lubrification (Fig. 6)

Pour assurer un rendement optimal, installez un dispositif d'air (huileur, régulateur, filtre à air) le plus près possible de l'outil.

Réglez le huileur de sorte qu'une goutte d'huile soit fournie toutes les 50 agrafes.

Lorsqu'un dispositif d'air n'est pas utilisé, huilez l'outil avec de l'huile pour outil pneumatique en versant 2 (deux) ou 3 (trois) gouttes dans le raccord à air. Cela doit être fait avant et après l'utilisation. Pour une lubrification adéquate, il faut activer l'outil à quelques reprises après y avoir versé de l'huile à outil pneumatique. (**Fig. 7**)

DESCRIPTION DU FONCTIONNEMENT

ATTENTION :

- Déconnectez toujours le tuyau avant de régler ou de vérifier le fonctionnement de l'outil.

Réglage de la profondeur d'agrafage

ATTENTION :

- Déconnectez toujours le tuyau avant de régler la profondeur d'agrafage. (Fig. 8 et 9)

Si une agrafe est enfoncée trop profondément, tournez la bague de réglage dans le sens horaire. Si une agrafe est enfoncée trop peu profondément, tournez la bague de réglage dans le sens anti-horaire.

La plage de réglage est comprise entre 0 et 3 mm (un tour complet permet un réglage de 0,8 mm).

Crochet

ATTENTION :

- Débranchez toujours le tuyau lorsque vous suspendez l'outil à l'aide du crochet.
- Ne suspendez jamais l'outil sur une ceinture ou un objet similaire. Un déclenchement accidentel dangereux pourrait se produire. (Fig. 10)

Le crochet est pratique pour suspendre l'outil temporairement.

Vous pouvez modifier la position du crochet.

Lorsque vous changez sa position d'installation, déposez la vis à l'aide d'un tournevis. Installez le crochet dans la position souhaitée, puis fixez-le avec la vis.

Adaptateur de bec plat

ATTENTION :

- Déconnectez toujours le tuyau avant d'installer ou de déposer l'adaptateur de bec plat. (Fig. 11)

Avant d'agrafer sur la surface plate d'une pièce à travailler, fixez l'adaptateur de bec plat au dispositif de contact.

Pour fixer l'adaptateur de bec au dispositif de contact, appuyez-le sur le dispositif de contact jusqu'à ce que la partie saillante à l'intérieur de l'adaptateur de bec s'insère dans la rainure du dispositif de contact.

ASSEMBLAGE

ATTENTION :

- Déconnectez toujours le tuyau avant d'effectuer tout travail sur l'outil.

Chargement de l'agrafeuse

ATTENTION :

- Débranchez toujours le tuyau avant de charger l'outil ou de retirer des agrafes.
- N'utilisez pas d'agrafes ou de barrettes d'agrafes déformées. L'alimentation en agrafes risquerait alors d'être médiocre.
- Utilisez toujours les agrafes spécifiées dans ce manuel d'instructions. Dans le cas contraire, l'alimentation en agrafes risque d'être médiocre.
- Remplacez toujours le pousseur lentement et doucement tout en le maintenant dans une main.

- Le fait de remettre en place la base du pousseur alors que le pousseur est enfoncé ne permet pas de charger des agrafes. N'appuyez pas sur le pousseur pendant le chargement. (Fig. 12)

Insérez une barrette d'agrafes dans la fente à l'arrière du magasin jusqu'à ce qu'elle passe au-dessus du butoir d'agrafes. L'outil accepte une barrette d'agrafes (84 agrafes). (Fig. 13)

Tirez à fond la base du pousseur à l'arrière du magasin et remplacez-la lentement et doucement en position d'origine.

Retrait des agrafes (Fig. 14)

Tenez l'outil de sorte que l'arrière du magasin soit orienté vers le bas.

Tirez lentement sur la base du pousseur, appuyez de chaque côté du pousseur et relâchez les agrafes.

Remettez doucement et lentement la base du pousseur en place.

Appuyez sur le pousseur d'agrafes, puis retirez les agrafes depuis l'arrière du magasin.

Raccordement du tuyau d'air

Glissez la prise d'air du tuyau d'air dans le raccord à air de l'agrafeuse. Assurez-vous que la prise d'air se verrouille fermement en position une fois installée dans le raccord à air. Un coupleur de tuyau doit être installé sur ou près de l'outil, de sorte que le réservoir de pression se vide lorsque le coupleur d'alimentation en air est déconnecté.

UTILISATION

ATTENTION :

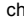
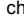
- Assurez-vous que tous les dispositifs de sécurité sont en état de fonctionner avant d'utiliser l'outil.

1. Pour enfoncer une agrafe, vous pouvez placer le dispositif de contact contre la pièce et appuyer sur la gâchette, ou (Fig. 15 et 16)
 2. Commencez par appuyer sur la gâchette, puis placez le dispositif de contact contre la pièce à travailler.
- La 1ère méthode s'applique à l'agrafage occasionnel, lorsque vous souhaitez enfoncer une agrafe soigneusement et très précisément.
 - La 2ème méthode s'applique à l'agrafage en continu.

ATTENTION :

- Toutefois, lorsque l'outil est réglé en mode « Agrafage occasionnel », SI LA GÂCHETTE EST MAINTENUE À MI-COURSE, un agrafage inattendu risque de se produire si le dispositif de contact touche à nouveau la pièce à travailler ou toute autre surface sous l'effet du recul.

Pour éviter cet agrafage inattendu, procédez comme suit :

- A. N'appliquez pas une force excessive lorsque vous placez le dispositif de contact contre la pièce.
 - B. Appuyez à fond sur la gâchette et maintenez-la enfoncée pendant 1 à 2 secondes après l'agrafage.
- Pour la première méthode, placez le levier de changement en position . Pour la deuxième méthode, placez le levier de changement en position . Après avoir utilisé le levier de changement pour changer de méthode d'agrafage, vérifiez toujours que le levier de changement est réglé dans la bonne

position pour la méthode d'agrafage souhaitée.
(Fig. 17 et 18)

Travail sur le plancher

ATTENTION :

- Si vous inclinez trop l'outil, un gonflement aura tendance à se produire à la surface de la pièce à travailler. Si vous le tenez trop à la verticale, la pièce à travailler aura tendance à se briser.
- Un gonflement ou une cassure à l'endroit de l'agrafage de la pièce à travailler peut se produire en fonction de nombreuses conditions d'agrafage, même si l'outil est tenu selon l'angle indiqué pendant la procédure d'agrafage. Essayez d'effectuer quelques tests d'agrafage avant de procéder à l'agrafage final.

(Fig. 19)

En cas d'agrafage nécessitant une précision, par exemple, sur le plancher, utilisez le mode « Agrafage occasionnel ».

Lors de la procédure d'agrafage, maintenez l'outil en l'inclinant selon un angle de 50° à 55°, comme illustré sur la figure.

Mécanisme de déclenchement antisaccatif

Ce mécanisme permet d'empêcher le déclenchement de l'outil sans agrafe.

La prévention anticassure se déclenche lorsqu'il reste environ 5 agrafes.

Sens de la sortie d'air (Fig. 20)

Le sens de la sortie d'air peut être modifié sur une plage d'angles de 360 degrés en tournant manuellement le couvercle de sortie d'air.

Retrait des agrafes coincées

AVERTISSEMENT :

- Déconnectez toujours le tuyau avant de retirer les agrafes.

Retirez les agrafes du magasin. (Reportez-vous à la section intitulée « Retrait des agrafes ».) (Fig. 21)
Sortez la clé hexagonale de son support à l'intérieur du couvercle du magasin en appuyant dessus depuis l'avant. (Fig. 22)

Retirez deux vis de fixation du capuchon de contact avec la clé hexagonale.

Le guide d'alimentation en agrafes apparaît afin de remédier au blocage.

Si vous ne parvenez toujours pas à retirer les agrafes bloquées, retirez deux autres vis de fixation du guide avant à l'aide de la clé hexagonale afin de remédier au blocage.

MAINTENANCE

ATTENTION :

- Déconnectez toujours le tuyau d'air de l'outil avant d'effectuer l'inspection ou la maintenance.

Maintenance de l'agrafeuse

Avant d'utiliser l'outil, assurez-vous qu'il est en bon état et qu'aucune de ses vis n'est desserrée. Le cas échéant, serrez les vis.

Avec l'outil déconnecté, effectuez une inspection quotidienne pour vous assurer que le dispositif de contact

et la gâchette se déplacent librement. N'utilisez pas l'outil si le dispositif de contact ou la gâchette se bloque ou se coince.

Vidange de l'outil (Fig. 23)

Débranchez le tuyau de l'outil. Placez l'outil de sorte que le raccord à air soit orienté vers le sol. Purgez-le au maximum.

Nettoyage de l'outil

Le fer pulvérulent qui adhère à l'aimant peut être retiré à l'aide d'un souffleur.

Coiffe

Lorsque vous n'utilisez pas le tuyau, débranchez-le. Ensuite, refermez le raccord à air à l'aide de la coiffe.

(Fig. 24)

Stockage

Lorsque vous n'utilisez pas l'agrafeuse, rangez-la dans un endroit chaud et sec.

Maintenance du compresseur, du dispositif d'air et du tuyau d'air (Fig. 25 et 26)

Après l'utilisation, vidangez toujours le réservoir du compresseur et le filtre à air. Si de l'humidité pénètre dans l'outil, elle risque de causer un rendement médiocre, voire une panne de l'outil.

Vérifiez régulièrement qu'il y a assez d'huile pour l'outil pneumatique dans le huileur du dispositif d'air. Les joints toriques s'useront rapidement en cas de lubrification insuffisante. (Fig. 27)

Gardez le tuyau d'air à l'écart de la chaleur (plus de 60°C ou 140°F) et des produits chimiques (diluants, acides puissants ou alcalis). Faites courir le tuyau à l'écart de tout obstacle sur lequel il risquerait dangereusement de se coincer pendant l'utilisation.

Les tuyaux doivent être placés à l'écart des bords tranchants et des zones qui peuvent entraîner des dommages ou de l'abrasion sur le tuyau. (Fig. 28)
Pour assurer la SÉCURITÉ et la FIABILITÉ du produit, toute réparation et tout travail d'entretien ou de réglage doivent être effectués par un Centre de service après-vente agréé Makita, avec des pièces de rechange Makita.

ACCESSOIRES

ATTENTION :

- Ces accessoires ou pièces complémentaires sont recommandés pour l'utilisation avec l'outil Makita spécifié dans ce manuel. L'utilisation de tout autre accessoire ou pièce complémentaire comporte un risque de blessures. Utilisez uniquement l'accessoire ou la pièce complémentaire dans le but spécifié.

Pour obtenir plus de détails sur ces accessoires, contactez votre Centre de service après-vente Makita le plus proche.

- Agrafes
- Tuyaux d'air
- Lunettes de sécurité

Pour les pays d'Europe uniquement ENG045-2
Bruit et vibrations

Les niveaux de bruit pondéré A typiques sont les suivants :
niveau de pression sonore : 80 dB (A)
niveau de puissance sonore : 93 dB (A).

Portez des protections auditives.

La valeur d'accélération quadratique pondérée typique ne dépasse pas $2,5 \text{ m/s}^2$.

Incertitude (K) : $1,5 \text{ m/s}^2$.

Ces valeurs ont été obtenues selon EN792.

DÉCLARATION DE CONFORMITÉ CE ENH013-7
Modèle; AT450H

Nous déclarons, sous notre entière responsabilité, que ce produit répond aux normes suivantes de documents normalisés ;

EN792 conformément aux Directives du Conseil 98/37/CE.

CE 2008



Tomoyasu Kato
Directeur

Fabricant responsable :

Makita Corporation

3-11-8, Sumiyoshi-cho, Anjo, Aichi, JAPON

Représentant agréé en Europe :

Makita International Europe Ltd.

Michigan Drive, Tongwell, Milton Keynes, Bucks MK15
8JD, ANGLETERRE

DEUTSCH

Erklärung der Gesamtdarstellung

- | | | |
|---------------------------------------|--------------------------|------------------------------|
| 1. Schutzbrille | 12. Bündig | 24. Schlitz für Luftaustritt |
| 2. Gesichtsschutz | 13. Zu flach | 25. Inbusschlüssel |
| 3. Kontaktfuß | 14. Schraube | 26. Vordere Führung |
| 4. Auslöser | 15. Einhängeclip | 27. Kontaktspitze |
| 5. Werkstück | 16. Rille | 28. Ablasshahn |
| 6. Kompressor-Luftleistung pro Minute | 17. Vorsprung | 29. Luftfilter |
| 7. Nagelfrequenz | 18. Flacher Nasenadapter | 30. Öl |
| 8. Einsteller | 19. Klammernstopper | 31. Druckluftöl |
| 9. Tief | 20. Andruckplatte | 32. Verdünnungsmittel |
| 10. Flach | 21. Drücker | 33. Koche |
| 11. Zu tief | 22. Umschalthebel | |
| | 23. Auslassabdeckung | |

TECHNISCHE DATEN

Modell	AT450H
Luftdruck	1,28 - 2,26 MPa (12,8 - 22,6 bar)
Verwendbare Klammern	25 mm bis 50 mm
Fassungsvermögen an Klammern	84 Stk. (1 Streifen), max. 105 Stk.
Min. Schlauchdurchmesser	5,0 mm
Abmessungen (L x H x B)	261 mm X 115 mm X 269 mm
Nettogewicht	1,4 kg

- Aufgrund unserer weiterführenden Forschungen und Entwicklungen sind Änderungen an den hier angegebenen Technischen Daten ohne Vorankündigung vorbehalten.
- Hinweis: Die Technischen Daten können in einzelnen Ländern voneinander abweichen.

Symbole END106-2
Nachstehend sind Symbole aufgeführt, auf die Sie beim Werkzeuggebrauch stoßen können. Sie sollten noch vor Arbeitsbeginn ihre Bedeutung kennen.



..... Lesen Sie die Anleitung.



..... Tragen Sie eine Schutzbrille.



..... Nicht auf Gerüsten, Leitern verwenden!

Verwendungszweck ENE054-1
Das Werkzeug wurde für das Eintreiben von Klammern in Baumaterial wie z.B. Bauholz entwickelt.

WICHTIGE SICHERHEITSANWEISUNGEN

ENB112-1

WARNUNG: ZUR VERMEIDUNG VON VERLETZUNGEN SIND BEI DER BENUTZUNG DIESES WERKZEUGS DIE ALLGEMEINEN REGELN DES ARBEITSSCHUTZES UND INSBESONDERE DIE FOLGENDEN ANWEISUNGEN EINZUHALTEN:

LESEN SIE DIESE ANLEITUNG VOLLSTÄNDIG DURCH!

- Um Ihre persönliche Sicherheit und sachgerechten Betrieb und Wartung des Werkzeugs zu gewährleisten, lesen Sie vor der Benutzung des Werkzeugs diese Bedienungsanleitung vollständig durch.
- Tragen Sie stets eine Schutzbrille, um Ihre Augen vor Staub und Verletzungen durch Nägel oder Klammern zu schützen.

WARNUNG:

Es ist Pflicht des Arbeitgebers, den Bediener und alle anderen Personen im unmittelbaren Arbeitsbereich zum Tragen von Schutzbrillen anzuhalten.

- Nur für Australien und Neuseeland
Tragen Sie zum Schutz Ihrer Augen vor Verletzungen durch Staub, Schmutz oder Klammern stets eine Schutzbrille und einen Gesichtsschutz. Schutzbrille und Gesichtsschutz müssen der Norm AS/NZS 1336 entsprechen.

WARNUNG:

Es liegt in der Verantwortung des Arbeitgebers, für die Benutzer des Werkzeugs und andere Personen im unmittelbaren Arbeitsbereich das Tragen von Augenschutz durchzusetzen. **(Abb. 1)**

- Tragen Sie einen Gehörschutz, um Ihre Ohren vor dem Auslassgeräusch zu schützen, und tragen Sie darüber hinaus einen Kopfschutz. Tragen Sie auch leichte, aber keine weite Kleidung. Ärmel müssen zugeknöpft oder hochgerollt sein. Das Tragen einer Krawatte ist unzulässig.

- Ein überhastetes Ausführen der Arbeit und der Gebrauch des Werkzeugs mit zu hohem Kraftaufwand sind gefährlich. Gehen Sie mit dem Werkzeug sorgfältig um. Benutzen Sie das Werkzeug nicht, wenn Sie unter Einfluss von Alkohol, Drogen oder dergleichen stehen.
- Grundsätzliche Richtlinien zur Handhabung des Werkzeugs:
 - (1) Gehen Sie stets davon aus, dass sich Nägel im Werkzeug befinden.
 - (2) Richten Sie das Werkzeug niemals auf sich selbst oder andere Personen, auch dann nicht, wenn sich keine Nägel im Werkzeug befinden.
 - (3) Lösen Sie das Werkzeug erst dann aus, nachdem es fest auf das Werkstück aufgesetzt wurde.
 - (4) Sehen Sie das Werkzeug als Hilfsmittel für Ihre Arbeit an.
 - (5) Kein Unfug!
 - (6) Halten oder tragen Sie das Werkzeug nicht mit dem Finger am Auslöser.
 - (7) Laden Sie das Werkzeug nicht mit Nägeln auf, wenn eines der Auslöseelemente aktiviert ist.
 - (8) Betreiben Sie das Werkzeug ausschließlich mit einer in den Betriebs-/Sicherheitsanweisungen des Werkzeugs vorgegebenen Energiequelle.
- Ein Werkzeug, das Defekte aufweist, darf nicht verwendet werden.
- Bei der Benutzung des Werkzeugs kann es gelegentlich zu einem Funkenflug kommen. Benutzen Sie das Werkzeug nicht in der Nähe leicht flüchtiger, brennbarer Substanzen wie Benzin, Verdünnern, Lack, Gas, Klebstoff usw.; weil sich diese Stoffe entzünden und explodieren können, wodurch es zu schweren Verletzungen kommen kann.
- Der Arbeitsplatz muss ausreichend beleuchtet sein, um ein sicheres Arbeiten zu gewährleisten. Der Arbeitsplatz muss sauber und aufgeräumt sein. Achten Sie besonders auf festen Stand und auf Gleichgewicht.
- In der Nähe sollten sich nur die mit der Ausführung der Arbeiten beschäftigten Personen aufhalten. Achten Sie besonders darauf, dass sich keine Kinder in der Nähe befinden.
- Befolgen Sie etwaige örtliche Lärmschutzvorschriften, halten Sie insbesondere die vorgeschriebenen Grenzen der Geräuschpegel ein. In bestimmten Fällen sollte der Lärmpegel mit Hilfe von Jalousien gedämpft werden.
- Gehen Sie mit dem Kontaktfuß sorgfältig um: Dieser Fuß verhindert ein versehentliches Auslösen. Daher muss er stets am Werkzeug verbleiben und darf nicht entfernt werden. Auch das Arretieren des Auslösers in Auslösestellung ist sehr gefährlich. Versuchen Sie niemals, den Auslöser zu arretieren. Benutzen Sie das Werkzeug nicht, wenn eines der Bedienelemente des Werkzeugs funktionsunfähig oder mangelhaft ist oder demontiert oder abgeändert wurde.
- Betreiben Sie das Werkzeug ausschließlich innerhalb des vorgeschriebenen Luftdruckbereichs von 1,28 bis 2,26 MPa (12,8 bis 22,6 bar), um die Sicherheit und eine längere Lebensdauer des Werkzeugs zu gewährleisten. Ein Überschreiten des empfohlenen maximalen Betriebsdrucks von 2,26 MPa (22,6 bar) ist unzulässig. Das Anschließen des Werkzeugs an eine Druckluftquelle, die einen höheren Druck als 3,39 MPa (33,9 bar) erzeugen kann, ist verboten.
- Stellen Sie sicher, dass der vom Druckluftsystem erzeugte Luftdruck nicht den maximal zulässigen Luftdruck des Naglers überschreitet. Stellen Sie den Luftdruck anfänglich auf die Untergrenze des zulässigen Drucks ein (siehe TECHNISCHE DATEN).
- Betreiben Sie das Werkzeug ausschließlich mit Druckluft. Bei Verwendung von Flaschengas (Kohlendioxid, Sauerstoff, Stickstoff, Wasserstoff, Pressluft usw.) oder brennbarem Gas (Wasserstoff, Propan, Acetylen usw.) als Treibgas für dieses Werkzeug besteht die Gefahr, dass das Werkzeug explodiert und schwere Verletzungen verursacht.
- Überprüfen Sie das Werkzeug vor der Benutzung stets auf seinen Allgemeinzustand und auf lockere Schrauben. Ziehen Sie ggf. lockere Schrauben fest.
- Stellen Sie vor der Benutzung des Werkzeugs sicher, dass alle Sicherheitssysteme in funktionsfähigem Zustand sind. Das Werkzeug darf nicht auslösen, wenn nur der Auslöser betätigt oder nur der Kontaktausleger gegen das Holz gedrückt wird. Es darf nur dann auslösen, wenn beide Aktionen durchgeführt werden. Überprüfen Sie das Werkzeug mit leerem Magazin und voll angezogenem Drücker auf möglichen fehlerhaften Betrieb.
- Überprüfen Sie Wände, Decken, Fußböden, Dächer und dergleichen sorgfältig auf möglicherweise dort verlegte Elektrokabel, Gasrohre oder sonstige Rohre und Leitungen, um elektrische Schläge, Gaslecks, Explosionen usw. zu vermeiden.
- Verwenden Sie nur die in diesem Handbuch aufgeführten Klammern. Die Verwendung anderer Klammern kann eine Funktionsstörung des Werkzeugs verursachen.
- Benutzen Sie Nagler mit der Aufschrift „Nicht auf Gerüsten, Leitern verwenden“ niemals für bestimmte Arbeiten wie z. B.:
 - wenn für einen Umstieg zwischen den Positionen für das Einbringen eines Nagels Gerüste, Treppen, Leitern oder leiterähnliche Konstruktionen wie z. B. Dachlatten benötigt werden;
 - Verschließen von Kisten oder Verschlägen;
 - Anbringen von Transportsicherungen z. B. an Fahrzeugen oder Eisenbahnwagen.
- Personen, die nicht entsprechend geschult sind, ist die Benutzung des Werkzeugs ausdrücklich zu untersagen.
- Stellen Sie vor Beginn der Arbeiten sicher, dass sich keine Personen in der Nähe befinden. Führen Sie Klammerarbeiten niemals gleichzeitig von innen und außen durch. Klammern können durchlagern und/oder herausfliegen, was eine große Gefahr darstellt.
- Achten Sie beim Arbeiten mit dem Werkzeug auf sicheren Stand und Gleichgewicht. Stellen Sie sicher, dass sich bei Arbeiten an hochgelegenen Arbeitsplätzen keine Personen unterhalb Ihres Standorts aufhalten, um Gefahren zu vermeiden, wenn der Luftschlauch plötzlich ruckt oder an Hindernissen hängen bleibt.
- Bewegen Sie sich bei Klammerarbeiten auf Dächern und anderen hochgelegenen Orten in Vorwärtsrichtung. Wenn Sie sich beim Arbeiten

rückwärts bewegen, können Sie leicht den Stand verlieren. Bringen Sie bei Arbeiten an senkrechten Flächen die Klammern von oben nach unten. Das Ausführen von Klammerarbeiten auf diese Weise ist weniger ermüdend.

- Wenn Sie versehentlich auf eine andere Klammer oder auf einen Knoten im Holz treffen, kann sich die Klammer verbiegen oder im Werkzeug verklemmen. Die Klammer kann herausgeschleudert werden und Personen treffen, oder das Werkzeug selbst kann sich gefährlich verhalten. Setzen Sie die Klammern mit Sorgfalt.
- Belassen Sie ein mit Nägeln geladenes Werkzeug oder einen Kompressor nicht längere Zeit in der Sonne, wenn diese unter Druck stehen. Achten Sie darauf, dass am Ablageplatz des Werkzeugs keine Fremdkörper wie Staub, Sand, Späne oder sonstige Materialien in das Werkzeug eindringen.
- Richten Sie die Auswurföffnung nicht auf Personen in der Nähe. Halten Sie Hände und Füße vom Bereich der Auswurföffnung fern.
- Tragen Sie das Werkzeug bei angeschlossenem Luftschlauch nicht mit dem Finger am Auslöser, und übergeben Sie es in diesem Zustand auch nicht an andere Personen. Ein versehentliches Auslösen kann äußerst gefährlich sein.
- Gehen Sie mit dem Werkzeug sorgfältig um. Das Werkzeug steht unter hohem Druck, wodurch ein durch grobe Behandlung (Fallenlassen oder Anstoßen) verursachter Riss eine hohe Gefahr darstellt. Bringen Sie niemals Einritzungen oder Gravuren in das Werkzeug ein.
- Brechen Sie die Arbeiten sofort ab, wenn Sie einen Defekt oder etwas Ungewöhnliches am Werkzeug feststellen.
- Trennen Sie unter folgenden Gegebenheiten stets den Luftschlauch ab, und entfernen Sie alle Klammern aus dem Werkzeug:
 - (9) Wenn das Werkzeug unbeaufsichtigt ist.
 - (10) Bevor Sie Wartungs- oder Reparaturarbeiten durchführen.
 - (11) Bevor Sie einen Nagelstau beseitigen.
 - (12) Bevor Sie das Werkzeug an einen anderen Ort transportieren.
- Nehmen Sie unmittelbar nach Abschluss der Arbeiten eine Reinigung und Wartung vor. Halten Sie das Werkzeug stets in einwandfreiem Zustand. Schmieren Sie bewegliche Teile, um Rostbildung zu verhindern und Reibungsverschleiß zu minimieren. Säubern Sie alle Teile von Staub.
- Nehmen Sie keine Veränderungen am Werkzeug vor, die nicht von Makita genehmigt wurden.
- Lassen Sie das Werkzeug regelmäßig von autorisierten Makita-Servicecentern überprüfen.
- Um die SICHERHEIT und die ZUVERLÄSSIGKEIT des Produkts zu gewährleisten, sollten Reparatur- und Wartungsarbeiten ausschließlich von autorisierten Makita-Servicecentern durchgeführt werden, und es sollten ausschließlich Original-Ersatzteile von Makita verwendet werden.
- Verwenden Sie ausschließlich das in dieser Anleitung vorgegebene Druckluftwerkzeug-Öl.
- Schließen Sie das Werkzeug niemals an eine Druckluftleitung an, bei welcher der maximal zulässige

Luftdruck des Werkzeugs um 10 % überschritten werden kann. Stellen Sie sicher, dass der vom Druckluftsystem erzeugte Luftdruck nicht den maximal zulässigen Luftdruck des Naglers überschreitet. Stellen Sie den Luftdruck anfänglich auf den niedrigeren Wert des empfohlenen zulässigen Drucks ein.

- Versuchen Sie niemals, das Kontaktelement des Auslösers mittels Klebeband, Draht o.ä. dauerhaft in gedrückter Stellung zu fixieren. Dies kann zu tödlichen oder schweren Verletzungen führen.
- Überprüfen Sie stets den Kontaktfuß entsprechend der Vorgaben in diesem Handbuch. Wenn der Sicherheitsmechanismus nicht ordnungsgemäß funktioniert, können unbeabsichtigte Klammern aus dem Werkzeug geschossen werden.

BEWAHREN SIE DIESE ANWEISUNGEN AUF.

Vor der Benutzung

WARNING:

- Verwenden Sie das Werkzeug niemals, wenn der Kontaktfuß des Werkzeugs defekt ist.

Das Werkzeug löst nur dann aus, wenn der Kontaktfuß gegen das Werkstück gedrückt wird und der Auslöser bei angelegtem Kontaktfuß betätigt wird. Stellen Sie anhand der im Folgenden erläuterten Methode vor der Verwendung des Werkzeugs sicher, dass der Kontaktfuß ordnungsgemäß funktioniert.

1. Stellen Sie vor der Überprüfung sicher, dass sich keine Klammern im Werkzeug befinden.
2. Schließen Sie den Druckluftschlauch an das Werkzeug an.
3. Betätigen Sie zuerst ausschließlich den Auslöser. Lassen Sie anschließend den Auslöser los und setzen Sie den Kontaktfuß auf das Werkstück. (**Abb. 2 und 3**)
4. Wenn das Werkzeug bei diesem Vorgehen auslöst, funktioniert der Kontaktfuß nicht ordnungsgemäß.

INSTALLATION

Auswahl Kompressor (Abb. 4)

Der Kompressor muss den Anforderungen von EN60335-2-34 entsprechen.

Wählen Sie einen Kompressor mit ausreichender Luftdruck- und Luftmengenleistung, um einen wirtschaftlichen Betrieb zu gewährleisten. Im Diagramm ist die Beziehung zwischen Klammerfrequenz bei entsprechendem Luftdruck und entsprechender Kompressor-Luftleistung dargestellt. Wenn der Klammervorgang z. B. mit einer Rate von ca. 60 Auslösungen pro Minute bei einem Druck von 1,77 MPa (17,7 bar) erfolgen soll, wird ein Kompressor mit einer Luftmengenleistung von über 40 l/min benötigt. Druckregler müssen verwendet werden, um den Luftdruck auf den Nenndruck des Werkzeugs zu begrenzen, wenn der Luftquellendruck den Nenndruck des Werkzeugs überschreitet. Eine Missachtung dieses Punkts kann zu schweren Verletzungen des Bedieners oder in der Nähe befindlicher Personen führen.

Auswahl Luftschlauch (Abb. 5)

Benutzen Sie einen hochdruckfesten Luftschlauch. Verwenden Sie einen möglichst dicken und kurzen Luftschlauch, um einen unterbrechungsfreien und wirkungsvollen Klammervorgang zu gewährleisten.

ACHTUNG:

- Eine zu geringe Luftleistung des Kompressors oder ein Luftschlauch mit einer zu großen Länge oder einem zu kleinen Durchmesser in Bezug auf die Klammerfrequenz kann zu einem Absinken der Eintreibkraft des Werkzeugs führen.

Schmierung (Abb. 6)

Um eine maximale Leistung zu gewährleisten, sollte eine Druckluftarmatur (Öler, Regler, Luftfilter), möglichst nahe am Werkzeug, installiert werden.

Stellen Sie den Öler so ein, dass er einen Tropfen Öl für jeweils 50 Klammern liefert.

Wenn keine Druckluftarmatur verwendet wird, ölen Sie das Werkzeug mit Druckluftwerkzeug-Öl, indem Sie 2 (zwei) bis 3 (drei) Tropfen in den Druckluftanschluss geben. Dies sollte vor und nach dem Gebrauch erfolgen.

Um eine ordnungsgemäße Schmierung zu erreichen, muss das Werkzeug nach dem Einbringen des Druckluftwerkzeug-Öls mehrere Male ausgelöst werden. (Abb. 7)

FUNKTIONSBESCHREIBUNG

ACHTUNG:

- Trennen Sie stets den Schlauch ab, bevor Sie das Werkzeug einstellen oder dessen Funktionen überprüfen.

Einstellen der Eintreibtiefe

ACHTUNG:

- Trennen Sie stets den Schlauch ab, bevor Sie die Eintreibtiefe einstellen. (Abb. 8 und 9)

Wenn die Klammern zu tief eingetrieben werden, drehen Sie den Einsteller im Uhrzeigersinn. Wenn die Klammern zu flach eingetrieben werden, drehen Sie den Einsteller entgegen den Uhrzeigersinn.

Der Einstellbereich beträgt 0 - 3 mm. (Eine volle Drehung ermöglicht eine Einstellung um 0,8 mm.)

Haken

ACHTUNG:

- Trennen Sie stets den Schlauch ab, wenn Sie das Werkzeug am Einhängclip aufhängen.
- Hängen Sie das Werkzeug nie an einen Hüftgürtel o.ä. Es kann zu einem gefährlichen, versehentlichen Auslösen kommen. (Abb. 10)

Der Haken ist nützlich, wenn Sie das Werkzeug kurzzeitig aufhängen möchten.

Die Position des Hakens kann geändert werden.

Um die Befestigungsposition zu ändern, lösen Sie die Schraube mit einem Schraubendreher. Bringen Sie den Haken an die gewünschte Position und befestigen Sie den Haken mit Hilfe der Schraube.

Flacher Nasenadapter

ACHTUNG:

- Trennen Sie stets den Schlauch ab, bevor Sie den flachen Nasenadapter anbringen oder entfernen. (Abb. 11)

Bringen Sie den flachen Nasenadapter am Kontaktfuß an, bevor Sie auf flachen Oberflächen klammern.

Um den Nasenadapter am Kontaktfuß anzubringen, drücken Sie den Adapter auf den Kontaktfuß, bis der Vorsprung am Nasenadapter in der Nut des Kontaktfußes sitzt.

MONTAGE

ACHTUNG:

- Trennen Sie stets den Schlauch ab, bevor Sie Arbeiten am Werkzeug ausführen.

Laden von Klammern

ACHTUNG:

- Trennen Sie stets den Schlauch ab, bevor Sie Klammern in das Werkzeug laden oder aus dem Werkzeug nehmen.
- Verwenden Sie verformte Klammern oder Klammerleisten nicht. Andernfalls wird die Zufuhr von Klammern beeinträchtigt.
- Verwenden Sie nur die in dieser Bedienungsanleitung aufgeführten Klammern. Andernfalls wird die Zufuhr von Klammern beeinträchtigt.
- Erfassen Sie den Andrücker und ziehen Sie den Andrücker langsam und gleichmäßig nach hinten.
- Bei Zurückziehen der Druckplatte bei gedrücktem Andrücker können keine Klammern geladen werden. Drücken Sie den Andrücker beim Laden von Klammern nicht. (Abb. 12)

Schieben Sie einen Klammerstreifen in den Schlitz an der Rückseite des Magazins ein, bis der Streifen hinter dem Klammerstopper sitzt. Es kann ein (1) Klammerstreifen (84 Stk.) in das Werkzeug geladen werden. (Abb. 13) Ziehen Sie die Druckplatte bis ganz an die Rückseite des Magazins und lassen Sie die Druckplatte langsam und gleichmäßig wieder in die ursprüngliche Position gleiten.

Entnehmen von Klammern (Abb. 14)

Halten Sie das Werkzeug so, dass die Rückseite des Magazins nach unten zeigt.

Drücken Sie leicht auf die Druckplatte, drücken Sie von beiden Seiten auf den Andrücker und lösen Sie die Klammern. Bringen Sie die Druckplatte langsam und gleichmäßig in die ursprüngliche Position.

Drücken Sie auf den Klammernstopper und entnehmen Sie die Klammern an der Rückseite des Magazins.

Anschließen des Druckluftschlauchs

Schieben Sie die Anschlussmuffe des Luftschlauchs auf den Anschlussnippel des Klammergeräts. Vergewissern Sie sich, dass die Anschlussmuffe einrastet, nachdem sie auf den Anschlussnippel geschoben wurde. Am oder nahe am Werkzeug muss eine Schlauchkupplung installiert werden, über die der noch vorhandene Druck abgelassen werden kann, wenn die Kupplung an der Druckluftquelle abgetrennt wird.

ARBEIT

ACHTUNG:

- Vergewissern Sie sich vor der Benutzung, dass alle Sicherheitssysteme in gutem Betriebszustand sind.
- 1. Um eine Klammer einzutreiben, setzen Sie den Kontaktfuß auf das Werkstück und ziehen Sie den Auslöser oder **(Abb. 15 und 16)**
- 2. Ziehen Sie zuerst den Auslöser, und setzen Sie dann den Kontaktfuß auf das Werkstück.
- Die Methode Nr. (1) eignet sich für absatzweises Klammern, wenn Sie eine Klammer sorgfältig und sehr genau eintreiben möchten.
- Methode Nr. (2) dient zum kontinuierlichen Klammern.

ACHTUNG:

- Ist das Werkzeug jedoch auf den Modus „Absatzweises Klammern“ eingestellt, kann BEI HALB GEDRÜCKTEM AUSLÖSER eine plötzliche Auslösung erfolgen, falls der Kontaktfuß unter dem Einfluss des Rückpralls erneut mit dem Werkstück oder einer anderen Oberfläche in Berührung kommt. Um dieses versehentliche Auslösen zu vermeiden, gehen Sie wie folgt vor:
 - A. Drücken Sie den Kontaktfuß nicht mit übermäßiger Kraft gegen das Werkstück.
 - B: Drücken Sie den Auslöser ganz durch, und halten Sie ihn nach dem Klammervorgang noch 1-2 Sekunden lang gedrückt.
- Für Methode Nr. (1) stellen Sie den Umkehrhebel auf Position \triangleleft .
- Für Methode Nr. (2) stellen Sie den Umkehrhebel auf Position \triangleleft .
- Vergewissern Sie sich nach Umstellen des Umkehrhebels zum Ändern der Nagelmethode immer, dass der Umkehrhebel auf die richtige Position für die gewünschte Nagelmethode eingestellt ist. **(Abb. 17 und 18)**

Fußbodenarbeiten

ACHTUNG:

- Bei einem zu starken Verkanten des Werkzeugs kann es zu Abdrücken in der Oberfläche des Werkstücks kommen. Wird das Werkzeug aufrecht gehalten, kann es zu Bruchschäden am Werkstück kommen.
- Abdrücke oder Bruchschäden am Werkstück an der Eintreibstelle der Klammern können viele Ursachen haben und auch bei richtiger Haltung des Werkzeugs auftreten. Probieren Sie vor Beginn der eigentlichen Arbeiten einige Teststücke aus. **(Abb. 19)**

Wenn die Klammerarbeiten exakt ausgeführt werden müssen, z. B. bei Fußbodenarbeiten, verwenden Sie die Methode „Absatzweises Klammern“.

Setzen Sie das Werkzeug zum Klammern mit einer Neigung von 50° bis 55° an, wie in der Abbildung dargestellt.

Auslösemechanismus mit Schutzvorrichtung

Durch diesen Mechanismus wird verhindert, dass das Werkzeug ohne Nagel ausgelöst wird.

Die Auslöseschutzvorrichtung wird automatisch aktiviert, wenn nur noch 5 Nägel im Magazin sind.

Richtung des Luftaustritts (Abb. 20)

Der Winkel der Abluftführung kann um 360 Grad geändert werden, indem die Auslassabdeckung von Hand entsprechend gedreht wird.

Entfernen verklemmter Klammern

WARNING:

- Trennen Sie stets den Schlauch ab, bevor Sie Klammern entnehmen.
- Entnehmen Sie die Klammern aus dem Magazin. (Siehe Abschnitt „Entnehmen von Klammern“.) **(Abb. 21)**
- Entnehmen Sie den Schraubenschlüssel aus der Halterung in der Magazinabdeckung, indem Sie von vorn auf den Schraubenschlüssel drücken. **(Abb. 22)**
- Lösen Sie mit dem Schraubenschlüssel die beiden Befestigungsschrauben der Kontaktspitze. Die Klammerzuführung wird sichtbar und es können verklemmte Klammern entnommen werden.
- Wenn verklemmte Nägel nicht entnommen werden können, schrauben Sie mit dem Schraubenschlüssel zwei weitere Schrauben zur Befestigung der vorderen Führung heraus.

WARTUNG

ACHTUNG:

- Trennen Sie stets den Luftschlauch vom Werkzeug ab, bevor Sie eine Inspektion oder Wartung durchführen.

Wartungsarbeiten am Klammergerät

Überprüfen Sie das Werkzeug vor der Benutzung stets auf seinen Allgemeinzustand und auf lockere Schrauben. Ziehen Sie ggf. lockere Schrauben fest. Nehmen Sie bei abgetrenntem Druckluftschlauch eine tägliche Inspektion vor, um sicherzustellen, dass sich Kontaktfuß und Auslöser ungehindert bewegen. Benutzen Sie das Werkzeug nicht, falls der Kontaktfuß oder der Auslöser klemmt oder blockiert.

Entwässern des Werkzeugs (Abb.23)

Entfernen Sie den Schlauch vom Werkzeug. Halten Sie das Werkzeug so, dass der Anschlussnippel nach unten zeigt. Lassen Sie so viel Wasser wie möglich ab.

Reinigen des Werkzeugs

Eisenspäne, die am Magneten hängen, lassen sich mit Druckluft abblasen.

Kappe

Trennen Sie den Schlauch ab, wenn Sie das Werkzeug nicht verwenden. Setzen Sie anschließend eine Kappe auf den Druckluftanschluss auf. **(Abb. 24)**

Lagerung

Lagern Sie das Werkzeug an einem warmen und trockenen Platz, wenn Sie es nicht verwenden.

Wartung von Kompressor, Druckluftarmatur und Druckluftschlauch (Abb. 25 und 26)

Nach jedem Betrieb muss das Wasser aus dem Druckluftbehälter und dem Luftfilter des Kompressors abgelassen werden. In das Werkzeug eindringende Feuchtigkeit kann eine Verschlechterung der Leistung

und ein mögliches Versagen des Werkzeugs verursachen.

Prüfen Sie regelmäßig, ob im Öler der Druckluftarmatur genügend Druckluftöl vorhanden ist. Eine Vernachlässigung der Schmierung führt zu schnellem Verschleiß der O-Ringe. **(Abb. 27)**

Halten Sie den Druckluftschlauch von Wärmequellen (über 60°C, über 140°F) und Chemikalien (Verdüner, starken Säuren oder Laugen) fern. Verlegen Sie den Schlauch so, dass sich der Schlauch nicht an Hindernissen verfangen kann. Wenn dies während des Betriebs geschieht, kann es zu gefährlichen Situationen kommen.

Der Schlauch darf auch nicht mit scharfen Kanten oder Gegenständen in Berührung kommen, die Beschädigungen oder Abrieb am Schlauch verursachen können. **(Abb. 28)**

Zur Aufrechterhaltung der SICHERHEIT und ZUVERLÄSSIGKEIT des Produkts müssen die Reparaturen und alle Wartungen und Einstellungen von den autorisierten Servicestellen der Firma Makita und unter Verwendung der Ersatzteile von Makita durchgeführt werden.

ZUBEHÖR

ACHTUNG:

- Für Ihr Werkzeug Makita, das in dieser Anleitung beschrieben ist, empfehlen wir folgende Zubehörteile und Aufsätze zu verwenden. Bei der Verwendung anderer Zubehörteile oder Aufsätze kann die Verletzungsgefahr für Personen drohen. Die Zubehörteile und Aufsätze dürfen nur für ihre festgelegten Zwecke verwendet werden.

Wenn Sie nähere Informationen bezüglich dieses Zubehörs benötigen, wenden Sie sich bitte an Ihre örtliche Servicestelle der Firma Makita.

- Klammern
- Druckluftschläuche
- Schutzbrille

Nur für europäische Länder Geräusche und Vibrationen

ENG045-2

Die typischen effektiven Geräuschpegel betragen für Schalldruck: 80 dB (A)
Schallleistung: 93 dB (A).

Tragen Sie Gehörschutz!

Der typische effektive Beschleunigungswert beträgt höchstens 2,5 m/s².
Abweichung (K): 1,5 m/s².
Diese Werte wurden entsprechend der Norm EN792 gewonnen.

EU-KONFORMITÄTSERKLÄRUNG

ENH013-7

Modell: AT450H

Wir erklären in alleiniger Verantwortung, dass sich dieses Produkt in Übereinstimmung mit den folgenden Normen der Normdokumente EN792 befindet sowie in Übereinstimmung mit den Ratsverordnungen 98/37/EC.

CE 2008



Tomoyasu Kato
Direktor

Verantwortlicher Hersteller:

Makita Corporation

3-11-8, Sumiyoshi-cho, Anjo, Aichi, JAPAN

Autorisierte Vertretung in Europa:

Makita International Europe Ltd.

Michigan Drive, Tongwell, Milton Keynes, Bucks MK15 8JD, ENGLAND

Spiegazione della vista generale

1. Occhiali di protezione	12. A filo	23. Coperchio di ventilazione
2. Visiera protettiva	13. Troppo in superficie	24. Apertura di ventilazione
3. Elemento di contatto	14. Vite	25. Chiave esagonale
4. Grilletto	15. Gancio	26. Guida anteriore
5. Pezzo in lavorazione	16. Scanalatura	27. Fermo superiore
6. Uscita aria compressore al minuto	17. Sporgenza	28. Rubinetto di scarico
7. Frequenza di chiodatura	18. Adattatore esterno piatto	29. Filtro aria
8. Regolatore	19. Fermo spillatrice	30. Oliatore
9. Profondità	20. Base del dispositivo di spinta	31. Olio pneumatico
10. Superficie	21. Dispositivo di spinta	32. Solventi
11. Troppo in profondità	22. Leva di selezione della modalità	33. Stufa

CARATTERISTICHE TECNICHE

Modello	AT450H
Pressione aria	1,28 - 2,26 MPa (12,8 - 22,6 bar)
Punti applicabili	25 mm - 50 mm
Capacità spillatrice	84 pz. (1 nastro), max. 105 pz.
Diametro minimo tubo	5,0 mm
Dimensioni (L x A x P)	261 mm x 115 mm x 269 mm
Peso netto	1,4 kg

- Le caratteristiche tecniche riportate di seguito sono soggette a modifiche senza preavviso in virtù del nostro programma continuo di ricerca e sviluppo.
- Nota: le caratteristiche tecniche possono differire da paese a paese.

Simboli

END106-2

Il seguente elenco riporta i simboli utilizzati per questo utensile. È importante comprenderne il significato prima di utilizzare l'utensile.



..... Leggere il manuale di istruzioni.



..... Indossare occhiali di protezione.



..... Non utilizzare su impalcature o scale a pioli.

Uso previsto

ENE054-1

L'utensile è ideale per l'applicazione di punti metallici su materiali da costruzione, come il legname.

ISTRUZIONI IMPORTANTI PER LA SICUREZZA

ENB112-1

AVVERTENZA: PER RIDURRE IL RISCHIO DI LESIONI PERSONALI, QUANDO SI UTILIZZA QUESTO UTENSILE È NECESSARIO OSSERVARE SEMPRE LE PRECAUZIONI DI BASE PER LA SICUREZZA, COMPRESSE LE SEGUENTI:

LEGGERE TUTTE LE ISTRUZIONI.

- Per la propria sicurezza personale e per il funzionamento e la manutenzione corretti dell'utensile, leggere questo manuale di istruzioni prima dell'uso.

- Portare sempre gli occhiali di protezione per proteggere gli occhi dalla polvere e dai punti.
AVVERTENZA:
È responsabilità del datore di lavoro obbligare chi utilizza l'utensile e le persone nelle immediate vicinanze a indossare occhiali di protezione.
- Solo per l'Australia e la Nuova Zelanda
Portare sempre gli occhiali di protezione e la visiera per proteggere gli occhi dalla polvere o dai punti metallici. Gli occhiali di protezione e la visiera devono essere conformi ai requisiti della legge AS/NZS 1336.
AVVERTENZA:
È responsabilità del datore di lavoro obbligare chi utilizza l'utensile e le persone nelle immediate vicinanze a indossare occhiali di protezione. (**Fig. 1**)
- Indossare paraorecchi per proteggere le orecchie dal rumore di scarico. Indossare anche un casco. Indossare sempre abiti leggeri e aderenti. Le maniche devono essere abbottonate o rimboccate. Non indossare la cravatta
- È pericoloso lavorare con molta fretta o mettere l'utensile sotto sforzo. Maneggiare l'utensile con attenzione. Non usarlo sotto l'influenza di alcol, droghe e sostanze simili.
- Principi generali per l'uso sicuro dell'utensile:
 - (1) Presupporre sempre che l'utensile contenga i punti.
 - (2) Non puntare l'utensile su di sé o sugli altri, che contenga o meno i punti.
 - (3) Non attivare l'utensile se questo non è appoggiato saldamente al pezzo.
 - (4) Utilizzare l'utensile come uno strumento di lavoro.

- (5) Non giocare con l'utensile.
 - (6) Non tenere o trasportare l'utensile tenendo un dito sul grilletto.
 - (7) Non caricare i punti nell'utensile quando uno qualsiasi dei controlli di funzionamento è attivato.
 - (8) Non far funzionare l'utensile con una fonte di alimentazione diversa da quella specificata nelle istruzioni per l'uso/sicurezza.
- Non utilizzare l'utensile se non funziona correttamente.
 - Quando si usa l'utensile, a volte potrebbero volare delle scintille. Non usare l'utensile vicino a sostanze volatili e infiammabili, quali benzina, solventi, vernici, gas, adesivi, ecc., perché possono infiammarsi ed esplodere, causando lesioni gravi.
 - L'area di lavoro deve essere sufficientemente illuminata per garantire un funzionamento sicuro. L'area di lavoro deve essere pulita e senza rifiuti. Prestare particolare attenzione a mantenere un buon equilibrio e i piedi appoggiati correttamente.
 - Solo gli addetti ai lavori possono avvicinarsi all'area in cui viene utilizzato l'utensile. I bambini devono sempre essere tenuti lontano.
 - Potrebbero esistere norme locali sui rumori che vanno rispettate, mantenendo il livello del rumore entro i limiti prescritti. In alcuni casi, usare dei ripari per limitare il rumore.
 - Non giocare con l'elemento di contatto: impedisce la scarica accidentale, per cui va mantenuto in posizione e non deve essere rimosso. Anche fissare il grilletto nella posizione ON è molto pericoloso. Non fissare mai il grilletto. Non usare l'utensile se una parte qualsiasi dei suoi comandi non può essere usata, è staccata, modificata o non funziona correttamente.
 - Per garantire la sicurezza e la lunga vita dell'utensile, farlo funzionare con la pressione d'aria specificata compresa tra 1,28 – 2,26 MPa (12,8 – 22,6 bar). Non superare la pressione massima raccomandata di 2,26 MPa (22,6 bar). L'utensile non deve essere collegato a una fonte la cui pressione possa superare 3,39 MPa (33,9 bar).
 - Accertarsi che la pressione fornita al sistema d'aria compressa non superi la pressione massima consentita per la spillatrice. Regolare inizialmente la pressione dell'aria sul valore più basso della pressione consentita consigliata (vedere le CARATTERISTICHE TECNICHE).
 - L'utensile deve essere usato esclusivamente con aria compressa. Se come fonte di alimentazione dell'utensile si usa una bomboletta di gas (biossido di carbonio, ossigeno, azoto, idrogeno, aria, ecc.) o un gas combustibile (idrogeno, propano, acetilene, ecc.), l'utensile potrebbe esplodere causando lesioni serie.
 - Prima dell'uso, controllare sempre le condizioni generali dell'utensile e l'eventuale presenza di viti allentate. Stringerle, se necessario.
 - Prima dell'uso, accertarsi che tutti i sistemi di sicurezza funzionino correttamente. L'utensile non deve funzionare se si schiaccia soltanto il grilletto o si preme soltanto il braccio di contatto contro il legno. Esso deve funzionare soltanto quando si eseguono entrambe queste operazioni. Per verificare un eventuale funzionamento anomalo, fare una prova senza i punti e con il dispositivo di spinta completamente tirato.
 - Controllare con cura le pareti, i soffitti, i pavimenti e i tetti per evitare potenziali scosse elettriche, perdite di gas, esplosioni, ecc., causate dall'aver colpito fili elettrici sotto tensione, tubazioni o tubi del gas.
 - Usare soltanto i punti metallici specificati in questo manuale. L'utilizzo di qualsiasi altro tipo di punti potrebbe causare il malfunzionamento dell'utensile.
 - Non utilizzare mai spillatrici marcate con il simbolo "Non usare su impalcature, scale a pioli" per applicazioni specifiche, per esempio:
 - se il cambiamento del posto di pittura richiede l'utilizzo di impalcature, scale a pioli, montacarichi o altri materiali di costruzione, per esempio travi di legno;
 - per chiudere scatole o casse di legno.
 - sistemi di sicurezza per il trasporto, per es., su veicoli o vagoni.
 - Non fare usare l'utensile da chi non è competente.
 - Prima della pittura, accertarsi che non vi sia nessuno vicino. Non cercare di applicare i punti allo stesso tempo da entrambi i lati, interno e esterno. I punti potrebbero trapassare e/o volare via, con grave pericolo.
 - Quando si utilizza l'utensile, prestare estrema attenzione alla posizione dei piedi, cercando di mantenere sempre l'equilibrio. Quando si lavora in luoghi alti, accertarsi che sotto non vi sia nessuno e fissare il tubo dell'aria per evitare eventuali pericoli nel caso venga spostato all'improvviso o rimanga impigliato.
 - Sui tetti ed altri luoghi alti, applicare i punti spostandosi in avanti. È facile perdere l'appoggio dei piedi se si esegue la pittura con il peso spostato all'indietro. Per applicare i punti su una superficie perpendicolare, procedere dall'alto verso il basso. In questo modo le operazioni di pittura sono meno faticose.
 - Un punto potrebbe storcersi o l'utensile incepparsi se si pinza per sbaglio su un altro punto o su un nodo del legno. Il punto potrebbe venire scagliato e colpire qualcuno, o l'utensile stesso potrebbe reagire pericolosamente. Posizionare i punti con cura.
 - Non lasciare l'utensile carico o il compressore d'aria sotto pressione per un lungo periodo di tempo al sole. Fare attenzione che polvere, sabbia, trucioli o altre sostanze estranee non entrino nell'utensile nel luogo in cui viene lasciato.
 - Non puntare il foro di espulsione su qualcuno vicino. Tenere le mani e i piedi lontani dall'area del foro di espulsione.
 - Quando si collega il tubo dell'aria, non trasportare l'utensile con il dito sul grilletto o passarlo a qualcuno in questa condizione. L'espulsione accidentale dei punti può essere estremamente pericolosa.
 - Maneggiare l'utensile con attenzione perché all'interno è presente un'alta pressione che può essere pericolosa se si causa una crepa maneggiandolo in modo errato (facendolo cadere o se subisce un colpo). Fare attenzione a non intagliare o incidere l'utensile.
 - Arrestare immediatamente l'applicazione dei punti nel caso in cui l'operatore noti nell'utensile qualcosa di errato o fuori dall'ordinario.
 - Staccare sempre il tubo dell'aria e rimuovere tutti i punti:
 - (9) Se l'utensile viene lasciato incustodito.

- (10) Prima di eseguire un qualsiasi intervento di manutenzione o di riparazione.
- (11) Prima di correggere un inceppamento.
- (12) Prima di portare l'utensile in un altro luogo.
- Eseguire la pulizia e la manutenzione subito dopo la fine del lavoro. Mantenere l'utensile in ottime condizioni. Lubrificare le parti mobili per evitare che arrugginiscono e per minimizzare l'usura causata dagli attriti. Togliere tutta la polvere dalle parti.
- Non modificare l'utensile senza l'autorizzazione di Makita.
- Richiedere l'ispezione periodica dell'utensile presso un centro di assistenza Makita autorizzato.
- Per mantenere la SICUREZZA e l'AFFIDABILITÀ del prodotto, le riparazioni e qualsiasi altra operazione di manutenzione devono essere eseguite dai centri di assistenza autorizzati Makita, utilizzando sempre parti di ricambio Makita.
- Usare soltanto l'olio pneumatico specificato in questo manuale.
- Non collegare mai l'utensile a una linea d'aria compressa in cui la pressione massima consentita per l'utensile non possa essere superata del 10%. Accertarsi che la pressione fornita al sistema d'aria compressa non superi la pressione massima consentita per la spillatrice. Regolare inizialmente la pressione dell'aria sul valore più basso della pressione consentita consigliata.
- Non tenere l'elemento di contatto del grilletto premuto con nastro o fili. Ciò potrebbe provocare morte o lesioni gravi.
- Controllare sempre l'elemento di contatto seguendo le istruzioni del presente manuale. Se il meccanismo di sicurezza non funziona correttamente, i punti potrebbero essere conficcati involontariamente.

CONSERVARE QUESTE ISTRUZIONI.

Prima dell'uso

AVVERTENZA:

- Non utilizzare mai l'utensile se l'elemento di contatto non funziona correttamente.

L'utensile funziona solo quando l'elemento di contatto viene posizionato contro il pezzo e il grilletto viene premuto con l'elemento di contatto spinto verso il basso. Prima dell'utilizzo, accertarsi che l'elemento di contatto funzioni correttamente eseguendo una verifica in base alla procedura seguente.

1. Prima della verifica, assicurarsi che l'utensile non sia caricato con i punti.
2. Collegare il tubo dell'aria all'utensile.
3. Innanzitutto premere solo il grilletto. Quindi rilasciare il grilletto e posizionare l'elemento di contatto contro il pezzo. (Fig. 2 e 3)
4. Se con questa procedura l'utensile funziona, l'elemento di contatto non funziona correttamente.

INSTALLAZIONE

Selezione del compressore (Fig. 4)

Il compressore d'aria deve essere conforme ai requisiti di EN60335-2-34.

Per un funzionamento efficiente, selezionare un compressore con una pressione e un'uscita dell'aria ampie. Il grafico mostra il rapporto tra la frequenza di applicazione dei punti, la pressione applicabile e l'uscita d'aria del compressore. Pertanto, se ad esempio l'applicazione dei punti avviene a una velocità di circa 60 volte al minuto a una compressione di 1,77 MPa (17,7 bar), è necessario un compressore con un'uscita dell'aria di oltre 40 litri/minuto. Per limitare la pressione dell'aria alla pressione nominale dell'utensile se la pressione di alimentazione dell'aria supera la pressione nominale, è necessario usare regolatori di pressione. In caso contrario, sussiste il pericolo di lesioni serie per l'operatore e per chi è vicino.

Selezione del tubo dell'aria (Fig. 5)

Utilizzare un tubo dell'aria resistente all'alta pressione. Per garantire un'operazione di pinzatura efficiente e continua, usare un tubo dell'aria quanto più grande e corto possibile.

ATTENZIONE:

- Una bassa uscita dell'aria del compressore o un tubo dell'aria lungo o con un diametro interno più piccolo in rapporto alla frequenza di applicazione dei punti, potrebbero causare una diminuzione delle capacità dell'utensile.

Lubrificazione (Fig. 6)

Per garantire le massime prestazioni, installare un gruppo aria (oliatore, regolatore, filtro aria) quanto più vicino possibile all'utensile.

Regolare l'oliatore in modo che venga fornita una goccia d'olio ogni 50 punti.

Se non si usa un gruppo aria, oliare l'utensile con l'olio pneumatico mettendo 2 o 3 gocce nell'elemento dell'aria. Questo va fatto prima e dopo l'uso. Per la lubrificazione corretta, l'utensile deve essere usato un paio di volte dopo l'introduzione dell'olio pneumatico. (Fig. 7)

DESCRIZIONE FUNZIONALE

ATTENZIONE:

- Staccare sempre il tubo prima di regolare o controllare le funzioni dell'utensile.

Regolazione della profondità di pinzatura

ATTENZIONE:

- Staccare sempre il tubo prima di regolare la profondità di applicazione punti. (Fig. 8 e 9)

Se un punto viene inserito troppo in profondità, ruotare il regolatore in senso orario. Se un punto viene inserito troppo in superficie, ruotare il regolatore in senso antiorario.

L'intervallo di regolazione è 0 - 3 mm. (Un giro completo permette una regolazione di 0,8 mm).

Gancio

ATTENZIONE:

- Staccare sempre il tubo quando si appende l'utensile utilizzando il gancio.
- Non appendere l'utensile alla cintura o simili. Si potrebbe verificare un'espulsione accidentale dei punti pericolosa. (Fig. 10)

Il gancio è utile per appendere temporaneamente l'utensile.

La posizione del gancio può essere modificata. Quando si modifica la posizione dell'installazione, rimuovere le vite con un cacciavite. Installare il gancio nella posizione desiderata e quindi fissarlo con la vite.

Adattatore esterno piatto

ATTENZIONE:

- Staccare sempre il tubo prima di installare o rimuovere l'adattatore esterno piatto. (Fig. 11)

Prima di applicare i punti sulla superficie piana sulla quale eseguire il lavoro, collegare l'adattatore esterno piatto all'elemento di contatto.

Per collegare l'adattatore esterno all'elemento di contatto, premerlo contro l'elemento di contatto finché la sporgenza all'interno dell'adattatore esterno non si inserisce nella fessura dell'elemento di contatto.

MONTAGGIO

ATTENZIONE:

- Staccare sempre il tubo prima di effettuare qualsiasi operazione sull'utensile.

Caricamento della spillatrice

ATTENZIONE:

- Staccare sempre il tubo prima di caricare l'utensile o rimuovere i punti.
- Non utilizzare punti deformati o strisce di punti. In caso contrario si potrebbe verificare uno scarso caricamento dei punti.
- Usare sempre i punti metallici specificati in questo manuale d'istruzioni. In caso contrario si potrebbe verificare uno scarso caricamento dei punti.
- Riposizionare sempre lentamente e delicatamente il dispositivo di spinta tenendolo con una mano.
- Se si riposiziona la base del dispositivo di spinta mentre si tiene premuto il dispositivo, non è possibile effettuare il caricamento dei punti. Non premere il dispositivo di spinta durante il caricamento. (Fig. 12)

Inserire un nastro di punti nella fessura posteriore dello scomparto finché non supera il fermo spillatrice. L'utensile può contenere un nastro di punti (84 pz.) (Fig. 13)

Tirare la base del dispositivo di spinta fino alla parte posteriore dello scomparto e riportarla lentamente e delicatamente alla posizione originale.

Rimozione dei punti (Fig. 14)

Tenere l'utensile con la parte posteriore dello scomparto capovolta.

Tirare leggermente la base del dispositivo di spinta, premere il dispositivo di spinta da entrambi i lati e rilasciare i punti. Riposizionare la base del dispositivo di spinta delicatamente e lentamente.

Premere il fermo spillatrice e quindi rimuovere i punti dal retro dello scomparto.

Collegamento del tubo dell'aria

Inserire la presa d'aria del tubo dell'aria sull'elemento dell'aria della spillatrice. Accertarsi che la presa d'aria sia fissata saldamente in posizione quando è installata sull'elemento dell'aria. È necessario installare un

accoppiatore del tubo sulla parte superiore o vicino all'utensile in modo che il serbatoio della pressione si scarichi quando l'accoppiatore di alimentazione dell'aria viene staccato.

USO

ATTENZIONE:

- Prima dell'uso, accertarsi che tutti i sistemi di sicurezza funzionino correttamente.

- Per conficcare un punto, mettere l'elemento di contatto contro il pezzo e schiacciare il grilletto, o (Fig. 15 e 16)
 - Per conficcare un punto, mettere l'elemento di contatto contro il pezzo e schiacciare il grilletto.
- Il metodo n. (1) serve per l'applicazione intermittente di punti, quando si desidera conficcare un punto con molta cura e precisione.
 - Il metodo n. (2) è per la applicazione continua di punti.

ATTENZIONE:

- Se però l'utensile è regolato nella modalità di "Applicazione intermittente" CON IL GRILLETTO INTERRUOTORE SCHIACCIATO A METÀ, si potrebbe verificare un'applicazione inaspettata se si lascia ricontattare l'elemento di contatto con il pezzo o con l'altra superficie sotto l'effetto del contraccolpo.

Per evitare il contraccolpo, procedere come di seguito:

- A. Non posizionare l'elemento di contatto sul pezzo esercitando una forza eccessiva.
- B. Tirare completamente il grilletto interruttore e mantenerlo tirato per 1 o 2 secondi dopo l'applicazione di punti.
- Per il metodo n. 1, posizionare la leva del cambio sulla posizione \triangleleft .
- Per il metodo n. 2, posizionare la leva del cambio sulla posizione \triangleleft .

Dopo aver usato la leva del cambio per cambiare il metodo di applicazione, controllare sempre che essa sia posizionata correttamente per il metodo di applicazione punti desiderato. (Fig. 17 e 18)

Pavimentazione

ATTENZIONE:

- L'inclinazione eccessiva dell'utensile potrebbe causare una rigonfiatura sulla superficie di lavoro. Tenendo l'utensile in posizione perfettamente verticale si potrebbe causare la rottura del pezzo in lavorazione.
- La rigonfiatura o la rottura di una parte del pezzo in lavorazione potrebbe verificarsi a seconda delle condizioni di applicazione dei punti, anche quando si sta lavorando tenendo l'utensile nell'inclinazione specificata. Effettuare qualche prova prima di applicare i punti sul pezzo che si intende lavorare. (Fig. 19)

Durante i lavori che richiedono maggiore accuratezza, come ad esempio la pavimentazione, utilizzare la modalità "Applicazione intermittente".

Durante l'applicazione punti, tenere l'attrezzo inclinato ad un angolo di 50° - 55° come indicato nella figura.

Meccanismo di prevenzione del funzionamento a vuoto

Si tratta di un meccanismo che impedisce di attivare l'utensile in assenza di chiodi.

La prevenzione del funzionamento a vuoto entra automaticamente in funzione quando rimangono circa 5 punti.

Direzione dell'aria di ventilazione (Fig. 20)

Ruotando il coperchio di ventilazione con una mano, è possibile modificare a 360 gradi la direzione di fuoriuscita dell'aria di ventilazione.

Rimozione di punti inceppati

AVVERTENZA:

- Staccare sempre il tubo prima di rimuovere i punti. Staccare i punti dallo scomparto. (Fare riferimento alla sezione denominata "Rimozione punti"). (Fig. 21)

Estrarre la chiave esagonale dal supporto all'interno del coperchio dello scomparto tirandola dalla parte anteriore. (Fig. 22)

Rimuovere le due viti che fissano il fermo superiore con la chiave esagonale.

Comparirà la guida per il caricamento dei punti e sarà possibile eliminare l'inceppamento.

Nel caso non si riuscisse ad estrarre i punti inceppati, rimuovere con la chiave esagonale le altre due viti che fissano la guida anteriore per eliminare l'inceppamento.

MANUTENZIONE

ATTENZIONE:

- Staccare sempre il tubo prima di eseguire l'ispezione o la manutenzione.

Manutenzione della spillatrice

Prima dell'uso, controllare sempre le condizioni generali dell'utensile e l'eventuale presenza di viti allentate. Stringerle, se necessario.

Con l'utensile staccato, controllare quotidianamente che l'elemento di contatto e il grilletto si muovano liberamente. Non usare l'utensile se l'elemento di contatto o il grilletto rimangono incollati o bloccati.

Svuotare l'utensile (Fig. 23)

Staccare il tubo dall'utensile. Posizionare l'utensile in modo che l'elemento dell'aria sia rivolto verso il basso. Svuotare il più possibile.

Pulizia dell'utensile

La polvere di ferro che aderisce al magnete può essere rimossa mediante un aspirapolvere.

Coperchio

Scollare il tubo se non lo si utilizza. Quindi chiudere l'elemento aria con il coperchio. (Fig. 24)

Conservazione

Quando non viene utilizzata, la chiodatrice deve essere conservata in un luogo temperato e asciutto.

Manutenzione del compressore, gruppo e tubo aria (Fig. 25 e 26)

Dopo il lavoro, scaricare sempre il serbatoio del compressore e il filtro dell'aria. Se nell'utensile entra umidità, si potrebbe verificare uno scadimento delle prestazioni ed anche un guasto dell'utensile. Controllare regolarmente che nell'oliatore del gruppo aria sia presente olio pneumatico a sufficienza. Una

lubrificazione insufficiente causa la rapida usura degli anelli di tenuta. (Fig. 27)

Tenere il tubo dell'aria lontano dal calore (oltre 60°C) e dalle sostanze chimiche (solventi, acidi o alcali forti). Inoltre, disporre il tubo dove non sono presenti ostacoli sui quali potrebbe pericolosamente impigliarsi durante il lavoro.

I tubi devono anche essere tenuti lontano dai bordi taglienti e dai punti che potrebbero danneggiarli o causarne l'abrasione. (Fig. 28)

Al fine di garantire la SICUREZZA e l'AFFIDABILITÀ del prodotto, le riparazioni e qualsivoglia ulteriore operazione di manutenzione o regolazione devono essere eseguite dai centri di assistenza autorizzati Makita utilizzando sempre parti di ricambio Makita.

ACCESSORI

ATTENZIONE:

- Si raccomanda di usare questi accessori con l'utensile Makita descritto in questo manuale. L'uso di qualsiasi altro accessorio potrebbe provocare lesioni personali. Utilizzare gli accessori esclusivamente per l'uso dichiarato.

Per l'assistenza e ulteriori informazioni su tali accessori, rivolgersi al centro di assistenza Makita più vicino.

- Punti metallici
- Tubi dell'aria
- Occhiali di protezione

Solo per i paesi europei

ENG045-2

Rumore e vibrazione

I tipici livelli di rumore ponderati "A" sono:

livello di pressione sonora: 80 dB (A)

livello di potenza sonora: 93 dB (A).

Indossare una protezione acustica.

In genere, il valore efficace ponderato dell'accelerazione non supera i 2,5 m/s².

Variazione (K): 1,5 m/s².

Questi valori sono stati ottenuti in conformità con la norma EN792.

DICHIARAZIONE DI CONFORMITÀ CE

ENH013-7

Modello AT450H

Dichiaro sotto nostra esclusiva responsabilità che il presente prodotto è conforme alle seguenti norme o documenti normativi:

EN792 secondo le disposizioni delle direttive del Consiglio, 98/37/CE.

CE 2008



Tomoyasu Kato
Direttore

Produttore responsabile:

Makita Corporation

3-11-8, Sumiyoshi-cho, Anjo, Aichi, GIAPPONE

Rappresentanti autorizzati in Europa:

Makita International Europe Ltd.

Michigan Drive, Tongwell, Milton Keynes, Bucks MK15 8JD, INGHILTERRA

NEDERLANDS

Verklaring van algemene gegevens

1. Veiligheidsbril	12. Vlak	24. Luchtuitlaatopening
2. Spatscherm	13. Te ondiep	25. Inbussleutel
3. Contactschoen	14. Schroef	26. Voorste geleider
4. Trekker	15. Haak	27. Contactpunt
5. Werkstuk	16. Groef	28. Aftapkraantje
6. Compressorlucht opbrengst per minuut	17. Uitsteeksel	29. Luchtfilter
7. Nietsnelheid	18. Platte neusadapter	30. Smeerinrichting
8. Stelring	19. Nietaanslag	31. Olie voor pneumatisch gereedschap
9. Diep	20. Aandrukkervoet	32. Thinner
10. Ondiep	21. Aandrukker	33. Verwarming
11. Te diep	22. Instelhefboom	
	23. Uitlaatdeksel	

TECHNISCHE GEGEVENS

Model	AT450H
Luchtdruk	1,28 t/m 2,26 MPa (12,8 t/m 22,6 bar)
Toepasbare nieten	25 mm t/m 50 mm
Nietcapaciteit	84 stuks (1 strip), max. 105 stuks
Min. slangdiameter	5,0 mm
Afmetingen (L x H x B)	261 mm X 115 mm X 269 mm
Netto gewicht	1,4 kg

- Als gevolg van ons doorlopende onderzoeks- en ontwikkelingsprogramma, zijn de technische gegevens van dit gereedschap onderhevig aan veranderingen zonder voorafgaande kennisgeving.
- Opmerking: De technische gegevens kunnen van land tot land verschillen.

Symbolen

END106-2

Hieronder staan de symbolen die voor dit gereedschap worden gebruikt. Zorg ervoor dat u weet wat ze betekenen alvorens het gereedschap te gebruiken.



..... Lees de gebruiksaanwijzing.



..... Draag een veiligheidsbril.



..... Gebruik het gereedschap niet op een steiger of ladder.

Gebruiksdoeleinden

ENE054-1

Het gereedschap is bedoeld om nieten in constructiematerialen, zoals houtsoorten, te bevestigen.

BELANGRIJKE VEILIGHEIDSINSTRUCTIES

ENB112-1

WAARSCHUWING: TIJDENS HET GEBRUIK VAN DIT GEREEDSCHAP DIENEN ALTIJD DE BASISVEILIGHEIDSVORZORGEN TE WORDEN GETROFFEN OM DE RISICO'S VAN PERSOONLIJK LETSEL, WAARONDER DE VOLGENDE, TE VERKLEINEN:

LEES ALLE INSTRUCTIES.

- Omwille van uw persoonlijke veiligheid en de juiste werking en onderhoud van het gereedschap, leest u

deze gebruiksaanwijzing alvorens het gereedschap te gebruiken.

- Draag altijd een veiligheidsbril om uw ogen te beschermen tegen letsel door stof of nieten.
WAARSCHUWING:
Het is de verantwoordelijkheid van de werkgever om ervoor te zorgen dat veiligheidsmiddelen voor oogbescherming gebruikt worden door de gebruikers van het gereedschap en anderen in de onmiddellijke omgeving van de werkplek.
- Alleen voor Australië en Nieuw-Zeeland
Draag altijd een veiligheidsbril en gezichtsbeschermer om uw ogen te beschermen tegen letsel door stof of nieten. De veiligheidsbril en het spatscherm dienen te voldoen aan de vereisten van AS/NZS 1336.
WAARSCHUWING:
Het is de verantwoordelijkheid van de werkgever om ervoor te zorgen dat veiligheidsmiddelen voor oogbescherming gebruikt worden door de gebruikers van het gereedschap en anderen in de onmiddellijke omgeving van de werkplek. **(Zie afb. 1)**
- Draag gehoorbescherming om uw oren te beschermen tegen het uitlaatgeluid en draag hoofdbescherming. Draag tevens lichte maar geen losse kleding. Manchetten moeten dichtgeknoopt zijn of de mouwen moeten worden opgerold. Draag geen stropdas.
- Haast tijdens de werkzaamheden of het gereedschap dwingen is gevaarlijk. Wees voorzichtig wanneer u het gereedschap hanteert. Bedien het gereedschap niet onder invloed van alcohol, drugs en dergelijke.
- Algemene richtlijnen voor het hanteren van het gereedschap

- (1) Ga er altijd vanuit dat in het gereedschap nagels/nieten zitten.
 - (2) Richt het gereedschap niet op uzelf of anderen, ongeacht of er nagels/nieten in zitten of niet.
 - (3) Schakel het gereedschap niet in als dit niet stevig tegen het werkstuk wordt gedrukt.
 - (4) Respecteer het gereedschap als werkinstrument.
 - (5) Speel er niet mee.
 - (6) Draag het gereedschap niet met een vinger om de trekker.
 - (7) Laad geen nagels/nieten in het gereedschap wanneer een van de bedieningsschakelaars is ingeschakeld.
 - (8) Bedien het gereedschap niet met een andere voedingsbron dan die is aangegeven in de bedienings- en veiligheidsinstructies van dit gereedschap.
- Als het gereedschap niet juist werkt, mag het niet worden gebruikt.
 - Tijdens het gebruik van het gereedschap kunnen soms vonken wegspringen. Gebruik het gereedschap niet in de buurt van vluchtige, brandbare materialen, zoals benzine, thinner, verf, gas, lijm, enz., omdat deze kunnen ontsteken en exploderen, waarbij ernstig letsel kan worden veroorzaakt.
 - De werkplek moet voldoende worden verlicht om een veilige bediening te garanderen. De werkplek moet schoon en vrij van afval zijn. Zorg ervoor dat u stevig staat en uw evenwicht goed bewaart.
 - Alleen personen die betrokken zijn bij de werkzaamheden mogen in de buurt van de werkplek komen. Met name kinderen moeten altijd uit de buurt worden gehouden.
 - Er kunnen plaatselijk regels gelden met betrekking tot geluid, waaraan u zich dient te houden door de geluidsproductie onder het voorgeschreven niveau te houden. In bepaalde gevallen moeten geluidsschermen worden gebruikt om het geluidsniveau te beperken.
 - Speel niet met de contactschoen: het voorkomt per ongeluk nagelen/nieten, dus moet het blijven zitten en mag niet worden verwijderd. De trekker in ingeschakelde stand vergrendelen is ook erg gevaarlijk. Probeer nooit de trekker vast te zetten. Bedien het gereedschap niet als enig onderdeel van de bedieningselementen van het gereedschap niet kan worden bediend, is losgekoppeld, gewijzigd of niet goed werkt.
 - Gebruik het gereedschap binnen het opgegeven luchtdrukgebied van 1,28 t/m 2,26 MPa (12,8 t/m 22,6 bar) vanwege de veiligheid en een langere levensduur van het gereedschap. Overschrijdt de aanbevolen maximumwerkdruk van 2,26 MPa (22,6 bar) niet. Het gereedschap mag niet worden aangesloten op een bron waarvan de druk 3,39 MPa (33,9 bar) kan overschrijden.
 - Zorg ervoor dat de druk die door het persluchtstelsel wordt geleverd, niet de maximaal toelaatbare druk van het bevestigingsaandrijfgereedschap overschrijdt. Stel de luchtdruk in eerste instantie in op de laagste waarde van de aanbevolen toelaatbare luchtdruk (zie "TECHNISCHE GEGEVENS").
 - Gebruik het gereedschap nooit met iets anders dan perslucht. Als flessengas (kooldioxyde, zuurstof, stikstof, waterstof, lucht, enz.) of brandbaar gas (waterstof, propaan, acetyleen, enz.) als voeding van dit gereedschap wordt gebruikt, zal het gereedschap exploderen en ernstig letsel veroorzaken.
 - Controleer voor gebruik het gereedschap altijd eerst op algehele conditie en loszittende schroeven. Draai deze zo nodig vast.
 - Controleer voor gebruik dat alle beveiligingssystemen goed werken. Het gereedschap mag niet werken als alleen de trekker wordt ingeknepen of als alleen de contactschoen op het hout wordt gedrukt. Het gereedschap mag alleen werken als beide handelingen tegelijkertijd worden uitgevoerd. Test op mogelijke defecte werking wanneer geen nieten zijn geladen en de aandrukker helemaal uitgetrokken is.
 - Controleer muren, plafonds, vloeren en dergelijke grondig om te voorkomen dat door het nagelen/nieten in elektrische draden, pijpen of gasleidingen een elektrische schok, gaslek, explosie, enz. kan ontstaan.
 - Gebruik uitsluitend nieten die in deze gebruiksaanwijzing worden aangegeven. Door een ander soort nieten te gebruiken, kan een storing in het gereedschap worden veroorzaakt.
 - Gebruik nooit elektrisch bevestigingsgereedschap met daarop het symbool "Niet gebruiken op steigers en ladders" bij bepaalde toepassingen, bijvoorbeeld:
 - als bij het veranderen van een werkplek naar de volgende, gebruik gemaakt wordt van een steiger, trap, ladder of soortgelijke constructies, bijv. daklatten;
 - bij het sluiten van dozen of kratten, en
 - bij het monteren van transportbeveiligingssystemen, bijv. op voertuigen en aanhangers.
 - Laat personen zonder onderricht het gereedschap niet gebruiken.
 - Controleer voor het nieten dat niemand dichtbij staat. Probeer nooit tegelijkertijd van binnenuit en van buitenaf te nieten. De nieten kunnen er dwars doorheen schieten of afketsen en een groot gevaar opleveren.
 - Zorg ervoor dat u tijdens het gebruik van het gereedschap stevig staat en uw evenwicht goed bewaart. Controleer dat er niemand onder u staat wanneer u op een hoge plaats werkt, en maak de persluchtslang vast om gevaarlijke situaties te voorkomen als er plotseling aan wordt getrokken of deze bekneld raakt.
 - Op daken en andere hoge plaatsen niet u terwijl u voorwaarts beweegt. U glijdt gemakkelijk weg als u niet terwijl u achterwaarts kruipt. Als u in een rechtopstaande ondergrond niet, niet u van boven naar beneden. U kunt op deze manier nieten zonder snel vermoeid te raken.
 - Een niet zal krom gaan of het gereedschap kan vastlopen als u per ongeluk bovenop een andere niet of in een knoest in het hout niet. De niet kan wegschieten en iemand raken, of het gereedschap zelf kan gevaarlijk terugstaan. Kies de plaats voor de niet met zorg.
 - Laat het geladen gereedschap of de luchtcompressor niet onder druk gedurende een lange tijd in de zon liggen. Zorg ervoor dat stof, zand, houtsnippers en

vreemde stoffen niet kunnen binnendringen in het gereedschap op de plaats waar u het laat liggen.

- Richt de schietmond nooit op iemand in de buurt. Houd handen en voeten uit de buurt van de schietmond.
- Als de perslucht slang is aangesloten, draagt u het gereedschap niet met uw vinger om de trekker en geeft u het gereedschap niet op deze manier aan iemand anders. Als de trekker per ongeluk wordt ingeknepen, ontstaat een uiterst gevaarlijke situatie.
- Hanteer het gereedschap voorzichtig, aangezien er binnenin het gereedschap een hoge druk is die gevaar oplevert als een barst ontstaat door grove behandeling (laten vallen of stoten).
Probeer niet in het gereedschap te snijden of graven.
- Stop onmiddellijk met nieten als u een probleem of iets vreemds opmerkt aan het gereedschap.
- Koppel altijd de perslucht slang los en verwijder alle nieten:
 - (9) Als u het gereedschap alleen achterlaat;
 - (10) Alvorens enige onderhouds- of reparatiewerkzaamheden uit te voeren;
 - (11) Alvorens vastgelopen nieten te verwijderen, en
 - (12) Alvorens het gereedschap naar een andere plaats over te brengen.
- Voer de reinigings- en onderhoudswerkzaamheden uit onmiddellijk nadat het werk is voltooid. Houd het gereedschap in opperbeste conditie. Smeer bewegende delen om roesten te voorkomen en slijtage door wrijving te minimaliseren. Veeg alle stof van de onderdelen af.
- Wijzig het gereedschap niet zonder toestemming van Makita.
- Vraag een erkend Makita-servicecentrum regelmatig het gereedschap te inspecteren.
- Om de VEILIGHEID en BETROUWBAARHEID van het gereedschap te handhaven, dienen alle reparaties en onderhoud te worden uitgevoerd door een erkend Makita-servicecentrum, en altijd met gebruikmaking van originele Makita-ervangingsonderdelen.
- Gebruik uitsluitend olie voor pneumatisch gereedschap die in deze gebruiksaanwijzing wordt aangegeven.
- Sluit het gereedschap nooit aan op een persluchtleiding die de maximaal toegelaten druk van het gereedschap niet met 10% kan overschrijden. Zorg ervoor dat de druk die door het persluchtstelsel wordt geleverd, niet de maximaal toelaatbare druk van het bevestigingsaandrijf gereedschap overschrijdt. Stel de luchtdruk in eerste instantie in op de laagste waarde van de aanbevolen toelaatbare luchtdruk.
- Probeer niet de contactschoen voortdurend ingedrukt te houden met tape of draad. Dit kan leiden tot de dood of ernstig letsel.
- Controleer altijd de contactschoen volgens de instructies in deze gebruiksaanwijzing. Als het veiligheidsmechanisme niet goed werkt, kunnen nieten per ongeluk worden geschoten.

BEWAAR DEZE INSTRUCTIES.

Vóór gebruik

WAARSCHUWING:

- Gebruik het nietpistool nooit als de contactschoen niet goed werkt.

Het gereedschap werkt alleen wanneer de contactschoen tegen een werkstuk wordt gedrukt en de trekker wordt ingeknepen terwijl de contactschoen is ingedrukt.

Controleer vóór gebruik of de contactschoen goed werkt aan de hand van de volgende procedure.

1. Verzekert u ervan alvorens te controleren dat er geen nieten zijn geladen in het gereedschap.
2. Sluit de perslucht slang aan op het gereedschap.
3. Knijp eerst alleen de trekker in. Haal daarna uw vinger van de trekker af en druk de contactschoen op het werkstuk (**zie afb. 2 en 3**).
4. Als het gereedschap tijdens bovenstaande stappen werkt, werkt de contactschoen niet goed.

HET JUISTE GEREEDSCHAP KIEZEN

Een compressor kiezen (zie afb. 4)

De luchtcompressor moet voldoen aan de vereisten van EN60335-2-34.

Kies een compressor die ruim voldoende luchtdruk en luchttopbrengst levert om verzekerd te zijn van een kostenefficiënte werking. De grafiek geeft de relatie aan tussen de nietsnelheid, toepasselijke luchtdruk en compressorluchttopbrengst.

Als bijvoorbeeld het nieten ongeveer 60 keer per minuut wordt uitgevoerd met een luchtdruk van 1,77 MPa (17,7 bar), is een compressor met een luchttopbrengst van meer dan 40 l/min vereist.

Als de toegevoerde luchtdruk hoger is dan de nominale luchtdruk van het gereedschap, moeten drukregulators worden gebruikt om de luchtdruk te beperken tot de nominale luchtdruk van het gereedschap. Als u dit niet doet kunnen de gebruiker van het gereedschap en personen in de buurt ernstig letsel oplopen.

De perslucht slang kiezen (zie afb. 5)

Gebruik een perslucht slang.

Gebruik een zo groot en kort mogelijke perslucht slang om verzekerd te zijn van ononderbroken en efficiënt nieten.

LET OP:

- Als de compressorluchttopbrengst lager is, of de luchtslang een kleinere inwendige diameter heeft of langer is in verhouding tot de nietsnelheid, kan de nietkracht van het gereedschap teruglopen.

Smeren (zie afb. 6)

Om van maximale prestaties verzekerd te zijn, monteert u een luchtset (smeerinrichting, drukregulator, luchtfilter) zo dicht mogelijk bij het gereedschap.

Stel de smeerinrichting zodanig in dat voor iedere 50 nieten een druppel smeerolie wordt geleverd.

Als geen luchtset wordt gebruikt, smeert u het gereedschap met olie voor pneumatisch gereedschap door twee (2) of drie (3) druppels in het luchtaansluiting aan te brengen. U dient dit voor en na ieder gebruik te doen. Voor een goede smering moet het gereedschap enkele keren worden bediend nadat de olie voor pneumatisch gereedschap is aangebracht (**zie afb. 7**).

BESCHRIJVING VAN DE FUNCTIES

LET OP:

- Koppel altijd de perslucht slang los voordat u de werking van het gereedschap controleert of afstelt.

De nietdiepte instellen

LET OP:

- Koppel altijd de perslucht slang los voordat u de nietdiepte controleert (**zie afb. 8 en 9**).

Als de niet te diep wordt geschoten, draait u de stelknop rechtsom. Als de niet te ondiep wordt geschoten, draait u de stelknop linksom.

Het instelbereik is van 0 t/m 3 mm (een volledige slag komt overeen met 0,8 mm).

Haak

LET OP:

- Koppel altijd de perslucht slang los wanneer het gereedschap aan de haak wordt opgehangen.
- Hang het gereedschap nooit aan een heupgordel of iets dergelijks. Hierdoor kan het gereedschap per ongeluk nieten afschieten, wat uiterst gevaarlijk is (**zie afb. 10**).

De haak is handig om het gereedschap tijdelijk aan op te hangen.

De bevestigingsplaats van de haak kan worden veranderd.

Als u de haak aan een andere zijde wilt bevestigen, draait u de schroef eruit met behulp van een schroevendraaier. Plaats de haak op de gewenste zijde en zet hem daarna vast met de schroef.

Platte neusadapter

LET OP:

- Koppel altijd de perslucht slang los voordat u de neusadapter aanbrengt (**Zie afb. 11**).

Voordat u gaat nieten op een platte ondergrond van het werkstuk, bevestigt u de platte neusadapter op de contactschoen.

Om de neusadapter op de contactschoen te bevestigen, duwt u deze op de contactschoen tot het uitsteeksel binnenin de neusadapter past in de groef in de contactschoen.

ONDERDELEN AANBRENGEN/VERWIJDEREN

LET OP:

- Koppel altijd de perslucht slang los voordat u enige werkzaamheden aan het gereedschap verricht.

Het nietpistool bijvullen

LET OP:

- Koppel altijd de perslucht slang los alvorens het nietpistool bij te vullen of nieten te verwijderen.
- Gebruik geen vervormde nieten of nietstrippen. Als u dit niet doet, worden de nieten niet goed aangevoerd.
- Gebruik uitsluitend nieten die in deze gebruiksaanwijzing worden aangegeven. Als u dit niet doet, worden de nieten niet goed aangevoerd.

- Zet de aandrukker altijd langzaam en voorzichtig terug terwijl u deze met een hand vasthoudt.
- Als de aandrukkervoet wordt teruggezet terwijl de aandrukker wordt ingedrukt, kunnen geen nieten worden geladen. Druk de aandrukker niet in bij het laden (**zie afb. 12**).

Plaats een nietstrip in de sleuf in de achterkant van het magazijn tot deze over de nietaanslag heen gaat. In het gereedschap past één nietstrip (van 84 stuks) (**zie afb. 13**).

Trek de aandrukkervoet helemaal terug tot achterin het magazijn en zet deze langzaam en voorzichtig terug in zijn oorspronkelijke positie.

Nieten verwijderen (**zie afb. 14**)

Houd het gereedschap zodanig vast dat de achterkant van het magazijn naar beneden is gericht.

Trek zacht aan de aandrukkervoet en druk beide zijden van de aandrukker in zodat de nieten loskomen. Zet de aandrukkervoet voorzichtig en langzaam terug.

Druk de nietaanslag in haal vervolgens de nieten uit de achterkant van het magazijn.

De perslucht slang aansluiten

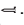
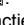
Schuif de aansluiting van de perslucht slang op de aansluiting van het nietpistool. Zorg ervoor dat beide aansluitingen stevig op elkaar worden vervrendeld. De slangkoppeling moet op of vlakbij het gereedschap worden gemonteerd op een zodanige manier dat op het moment dat de persluchtkoppeling wordt losgekoppeld, de luchtdruktank leeg loopt.

BEDIENING

LET OP:

- Controleer voor gebruik dat alle beveiligingssystemen goed werken.
- 1. Om te nieten drukt u eerst de contactschoen tegen het werkstuk en knijpt u daarna de trekker in (**zie afb. 15 en 16**) of...
- 2. ...knijpt u eerst de trekker in en drukt u daarna het contactschoen tegen het werkstuk.
- Werkwijze 1 is voor onderbroken nieten wanneer u een niet voorzichtig en zeer nauwkeurig wilt schieten.
- Werkwijze 2 is voor ononderbroken nieten.

LET OP:

- Wanneer het gereedschap echter is ingesteld op "Onderbroken nieten" en DE TREKKER IN DE HALF-INGEKNEPEN STAND WORDT GEHOUDEN, kan het nietpistool onverwachts een niet schieten als de contactschoen door de terugslag nogmaals in aanraking komt met het werkstuk of een ander oppervlak. Om dergelijk per ongeluk nieten te voorkomen, gaat u als volgt te werk:
 - A. Duw de contactschoen niet met grote kracht tegen het werkstuk.
 - B. Knijp de trekker volledig in en houd deze na het nieten gedurende een tot twee seconden ingeknepen.
- Bij werkwijze 1 zet u de keuzehendel in de stand . Bij werkwijze 2 zet u de keuzeknop in de stand . Nadat u de keuzeknop hebt verdraaid om de nielfunctie te veranderen, controleert u dat de keuzeknop goed in

de stand van de gewenste nietfunctie staat (zie afb. 17 en 18).

Vloerdelen nieten

LET OP:

- Als het gereedschap te schuin wordt gehouden, kan het oppervlak van het werkstuk opbollen. Als het gereedschap te veel rechtop wordt gehouden, kan het oppervlak van het werkstuk doorbroken worden.
- Het opbollen of doorbreken van het oppervlak van het werkstuk is afhankelijk van veel omstandigheden tijdens het nieten, ook wanneer tijdens het nieten het gereedschap onder de voorgeschreven hoek wordt gehouden. Test het nieten eerst op een proefstuk voordat u in het eigenlijke werkstuk niet (zie afb. 19).

Voor nauwkeurig nieten, zoals bij het leggen van vloeren, gebruikt u de methode voor onderbroken nieten.

Houd tijdens het nieten het gereedschap onder een hoek van 50° - 55°, zoals aangegeven in de afbeelding.

Anti-droogschietmechanisme

Dit is een mechanisme dat voorkomt dat het gereedschap afgaat zonder dat een niet aanwezig is.

De droogschietpreventie treedt automatisch in werking wanneer slechts ongeveer 5 nieten resteren.

Richting van uitlaatlucht (zie afb. 20)

De richting van de uitlaatlucht kan 360 graden worden veranderd door het uitlaatdeksel met de hand te draaien.

Vastgelopen nieten verwijderen

WAARSCHUWING:

- Koppel altijd de perslucht slang los voordat u de nieten eruit haalt.

Haal de nieten uit het magazijn. (Raadpleeg de paragraaf "Nieten verwijderen".) (Zie afb. 21.)

Haal de inbussleutel uit de houder binnenin het magazijn deksel door op de voorkant ervan te drukken (zie afb. 22).

Verwijder met behulp van de inbussleutel de twee bouten waarmee de contactpunt is bevestigd.

De nietaanvoergeleider wordt zichtbaar. Verwijder de vastgelopen nieten.

Als u de vastgelopen nieten nog niet kunt verwijderen, verwijdert u vervolgens met de inbussleutel de twee bouten waarmee de voorste geleider is bevestigd en verwijdert u tenslotte de vastgelopen nieten.

ONDERHOUD

LET OP:

- Koppel de perslucht slang altijd los van het gereedschap alvorens inspectie- of onderhoudswerkzaamheden uit te voeren.

Het nietpistool onderhouden

Controleer voor gebruik het gereedschap altijd eerst op algehele conditie en loszittende schroeven. Draai deze zo nodig vast.

Inspecteer het gereedschap dagelijks met losgekoppelde perslucht slang op vrije beweging van de contactschoen en trekker. Gebruik het gereedschap niet als de contactschoen of trekker vastlopen of klemmen.

Het gereedschap aftappen (zie afb. 23)

Koppel de perslucht slang los van het gereedschap. Houd het gereedschap zodanig vast dat de luchtinlaat naar beneden is gericht. Laat zo veel mogelijk water uit het gereedschap lopen.

Het gereedschap reinigen

Metaaldeeltjes die aan de magneet kleven kunnen worden weggeblazen met behulp van een persluchtpistool.

Dop

Als het nietpistool niet in gebruik is, koppelt u de perslucht slang los. Plaats daarna de dop op de luchtinlaat (zie afb. 24).

Bewaren

Wanneer het nietpistool niet in gebruik is, moet het worden opgeborgen op een warme, droge plaats.

Onderhoud aan de compressor, luchtset en perslucht slang (zie afb. 25 en 26)

Na gebruik moet altijd de luchtdruktank en het luchtfilter van de compressor worden afgetapt. Als vocht in het gereedschap kan binnendringen, kan dit leiden tot slechte prestaties en mogelijk defect van het gereedschap. Controleer regelmatig om te zien of er voldoende pneumatische olie in de smerinrichting van de luchtset zit. Als u niet voor voldoende smering zorgt, zullen de O-ringen snel slijten (zie afb. 27).

Houd de perslucht slang uit de buurt van warmte (meer dan 60 °C) en uit de buurt van chemicaliën (verdunder, sterke zuren of basen). Houd de perslucht slang ook uit de buurt van obstakels waarachter deze kan haken tijdens gebruik om gevaarlijke situaties te voorkomen.

De perslucht slang moet tevens uit de buurt worden gehouden van scherpe randen en plaatsen die aanleiding kunnen geven tot beschadiging of schuren van de perslucht slang (Zie afb. 28).

Om de VEILIGHEID en BETROUWBAARHEID van het gereedschap te handhaven, dienen alle reparaties, onderhoud en afstellingen te worden uitgevoerd door een erkend Makita-servicecentrum, en altijd met gebruikmaking van originele Makita- vervangingsonderdelen.

ACCESSOIRES

LET OP:

- Deze accessoires of hulpstukken worden aanbevolen voor gebruik met het Makita-gereedschap dat in deze gebruiksaanwijzing wordt beschreven. Het gebruik van andere accessoires of hulpstukken kan gevaar voor persoonlijk letsel opleveren. Gebruik de accessoires of hulpstukken uitsluitend voor de aangegeven gebruiksdoeleinden.

Mocht u meer informatie willen hebben over deze accessoires, dan kunt u contact opnemen met uw plaatselijke Makita-servicecentrum.

- Nieten
- Perslucht slangen
- Veiligheidsbril

Alleen voor Europese landen

ENG045-2

Geluid en trillingen

De typische, A-gewogen geluidsniveaus zijn
geluidsdrukkniveau: 80 dB (A)
geluidsvermogenkniveau: 93 dB (A).

Draag gehoorbescherming.

De karakteristieke gewogen effectieve
versnellingswaarde is niet hoger dan $2,5 \text{ m/s}^2$.

Onzekerheid (K): $1,5 \text{ m/s}^2$.

Deze waarden zijn verkregen volgens EN792.

EU-VERKLARING VAN CONFORMITEIT

ENH013-7

Model; AT450H

Wij verklaren onder eigen verantwoordelijkheid dat dit
product voldoet aan de normen in de volgende
documenten:

EN792 in overeenstemming met de richtlijnen van de
Raad, 98/37/EC.

CE 2008



Tomoyasu Kato
Directeur

Verantwoordelijke fabrikant:

Makita Corporation

3-11-8, Sumiyoshi-cho, Anjo, Aichi, JAPAN

Erkende vertegenwoordiger voor Europa:

Makita International Europe Ltd.

Michigan Drive, Tongwell, Milton Keynes, Bucks MK15
8JD, ENGELAND

Descripción y visión general

- | | | |
|---|---------------------------------|---------------------------------------|
| 1. Gafas de seguridad | 12. A ras de la superficie | 24. Abertura de salida de aire |
| 2. Careta protectora | 13. Demasiado poco profundo | 25. Llave Allen |
| 3. Elemento de contacto | 14. Tornillo | 26. Guía frontal |
| 4. Disparador | 15. Gancho | 27. Parte superior de contacto |
| 5. Pieza de trabajo | 16. Canal de guía | 28. Grifo de drenaje |
| 6. Salida de aire comprimido por minuto | 17. Saliente | 29. Filtro de aire |
| 7. Frecuencia de clavado | 18. Adaptador de boquilla plana | 30. Aceitero |
| 8. Regulador | 19. Tope de grapas | 31. Aceite de herramientas neumáticas |
| 9. Profundo | 20. Base del empujador | 32. Disolvente |
| 10. Superficial | 21. Empujador | 33. Estufa |
| 11. Demasiado profundo | 22. Palanca de cambio | |
| | 23. Cubierta de escape | |

ESPECIFICACIONES

Modelo	AT450H
Presión del aire	1,28 - 2,26 MPa (12,8 - 22,6 bar)
Grapas aplicables	25 mm - 50 mm
Capacidad de grapas	84 piezas (1 tira), máx. 105 piezas
Diámetro mínimo de la manguera	5,0 mm
Dimensiones (La X Al X An)	261 mm X 115 mm X 269 mm
Peso neto	1,4 kg

- Debido a nuestro programa continuo de investigación y desarrollo, las especificaciones aquí descritas están sujetas a cambios sin previo aviso.
- Nota: Las especificaciones pueden ser diferentes de un país a otro.

Símbolos END106-2

Se utilizan los siguientes símbolos para el equipo.

Asegúrese de que comprende su significado antes del uso.



.....Lea el manual de instrucciones.



.....Utilice gafas de seguridad.



.....No utilizar en andamios o escaleras de mano.

Uso previsto ENE054-1

La herramienta está diseñada para clavar grapas en materiales de construcción tales como la madera.

INSTRUCCIONES DE SEGURIDAD IMPORTANTES ENB112-1

ADVERTENCIA: CUANDO SE UTILICE ESTA HERRAMIENTA SIEMPRE DEBEN TOMARSE PRECAUCIONES DE SEGURIDAD PARA REDUCIR EL RIESGO DE LESIONES PERSONALES, INCLUYENDO LAS SIGUIENTES:

LEA TODAS LAS INSTRUCCIONES

- Por su seguridad personal y para una utilización y un mantenimiento correctos de la herramienta, lea este

manual de instrucciones antes de utilizar la herramienta.

- Utilice siempre gafas de seguridad para proteger sus ojos del polvo o de lesiones provocadas por grapas.
ADVERTENCIA:
Es responsabilidad del empleador garantizar que los operarios de la herramienta y otras personas de la zona de trabajo inmediata utilicen equipo de protección ocular.
- Para Australia y Nueva Zelanda solamente
Utilice siempre gafas de seguridad y una careta protectora para proteger sus ojos del polvo o de lesiones provocadas por grapas. Las gafas de seguridad y la careta protectora deben cumplir con los requisitos de AS/NZS 1336.
ADVERTENCIA:
Es responsabilidad del empleador garantizar que los operarios de la herramienta y otras personas de la zona de trabajo inmediata utilicen equipo de protección ocular. **(Fig. 1)**
- Utilice protección para la cabeza y protección para los oídos para protegerlos de la emisión de ruidos. Asimismo, lleve ropa ligera pero no suelta. Las mangas deben estar abotonadas o arremangadas. No debe llevarse corbata.
- Es peligroso apresurar el trabajo o forzar la herramienta. Maneje la herramienta con cuidado. No la utilice bajo la influencia del alcohol, drogas o sustancias similares.
- Pautas generales de manejo de la herramienta:
 - (1) Asuma siempre que la herramienta contiene grapas.

- (2) No se apunte a usted mismo ni a nadie más con la herramienta, tanto si contiene grapas como si no.
 - (3) No active la herramienta a menos que la tenga puesta firmemente contra la pieza de trabajo.
 - (4) Trate a la herramienta como un útil de trabajo.
 - (5) No juegue con la herramienta.
 - (6) No coja ni transporte la herramienta con el dedo en el disparador.
 - (7) No cargue grapas en la herramienta estando cualquiera de los controles de operación activado.
 - (8) No utilice la herramienta con ninguna otra fuente de alimentación distinta a la especificada en las instrucciones de funcionamiento/seguridad de la herramienta.
- No se debe utilizar una herramienta que no funcione debidamente.
 - Pueden saltar chispas cuando se utiliza la herramienta. No utilice la herramienta cerca de materiales inflamables o volátiles, como gasolina, disolvente, pintura, gas, adhesivos, etc., ya que pueden encenderse, explotar y causar lesiones graves.
 - El área debe estar suficientemente iluminada para asegurar una utilización segura. El área deberá estar despejada y libre de desechos. Tenga especial cuidado de mantener los pies sobre suelo firme y en equilibrio.
 - En la proximidad solamente deben estar aquellas personas implicadas en el trabajo. Especialmente los niños deben mantenerse alejados en todo momento.
 - Puede haber reglamentos locales concernientes al ruido que habrá que cumplir manteniendo los niveles de ruido dentro de los límites establecidos. En ciertos casos, se deberán utilizar celosías para contener el ruido.
 - No juegue con el elemento de contacto: previene la descarga accidental, por lo que se debe mantener activado y colocado en su sitio. También es muy peligroso fijar el disparador en la posición ON (activado). No intente nunca atar el disparador. No utilice la herramienta si cualquier parte de los controles de operación de la herramienta está inoperable, desconectada, modificada, o no funciona correctamente.
 - Utilice la herramienta dentro de la presión de aire especificada de 1,28 - 2,26 MPa (12,8 - 22,6 bares) por seguridad y para prolongar la vida de la herramienta. No exceda la presión de funcionamiento máxima recomendada de 2,26 MPa (22,6 bar). La herramienta no debe conectarse a una fuente cuya presión pueda sobrepasar 3,39 MPa (33,9 bar).
 - Asegúrese de que la presión suministrada por el sistema de aire comprimido no exceda la presión máxima permitida de la grapadora. Ajuste la presión de aire inicialmente a un valor inferior a la presión permitida recomendada (consulte las ESPECIFICACIONES).
 - No utilice nunca la herramienta con nada que no sea aire comprimido. Si se utiliza gas (dióxido de carbono, oxígeno, nitrógeno, hidrógeno, aire, etc.) o gas combustible (hidrógeno, propano, acetileno, etc.) embotellado como fuente de alimentación para esta herramienta, la herramienta explotará y ocasionará graves heridas.
 - Compruebe siempre la herramienta antes de su uso para ver su estado general y si hay tornillos sueltos. Apriete según sea necesario.
 - Asegúrese de que todos los sistemas de seguridad estén en condiciones de funcionamiento antes de su utilización. La herramienta no debe funcionar si sólo se acciona el disparador o si sólo se presiona el brazo de contacto contra la madera. Solamente debe funcionar cuando se realicen ambas acciones. Haga una prueba sin grapas cargadas y con el empujador en la posición totalmente presionada para ver si hay algún posible fallo de funcionamiento.
 - Compruebe las paredes, techos, suelos, techumbres y elementos similares con cuidado para evitar descargas eléctricas, fugas de gas, explosiones, etc., ocasionadas por el contacto con cables con tensión, conductos o tuberías de gas.
 - Utilice solamente las grapas especificadas en este manual. La utilización de otras grapas puede ocasionar un mal funcionamiento de la herramienta.
 - No utilice nunca grapadoras marcadas con el símbolo de "No utilizar en andamios, escaleras de mano" para aplicaciones específicas, por ejemplo:
 - cuando el cambio de un lugar de clavado a otro implique la utilización de andamios, escaleras, escaleras de mano, o construcciones en forma de escalera, por ejemplo, listones de techumbres;
 - cierre de cajas o cajones;
 - colocación de sistemas de seguridad de transportes, por ejemplo, en vehículos y vagones.
 - No permita que personas no instruidas utilicen la herramienta.
 - Asegúrese de que no haya nadie cerca antes de empezar a grapar. Nunca intente grapar simultáneamente desde el lado interior y exterior. Las grapas pueden atravesar el material y/o salir despedidas, lo que provocaría una situación de peligro grave.
 - Observe el suelo donde pisa y mantenga su equilibrio con la herramienta. Asegúrese de que no haya nadie debajo cuando trabaje en lugares elevados, y sujete la manguera de aire para evitar peligros si se produjera un tirón o enganche repentino.
 - En tejados y otros lugares elevados, grape a medida que avanza. Es fácil perder el equilibrio si grapa moviéndose hacia atrás. Cuando grape contra superficies perpendiculares, grape de arriba hacia abajo. Haciéndolo de esta forma podrá realizar la operación de grapado fatigándose menos.
 - Si grapa equivocadamente encima de otra grapa o golpea un nudo en la madera, la grapa se torcerá o se atascará la herramienta. La grapa puede salir lanzada y golpear a alguien, o la propia herramienta puede reaccionar peligrosamente. Ponga las grapas con cuidado.
 - No deje la herramienta cargada ni el compresor de aire bajo presión durante largo tiempo al sol. Asegúrese de que no entre polvo, arena, virutas ni materias extrañas en la herramienta en el lugar donde la deje.
 - No apunte con el puerto de expulsión a nadie de su alrededor. Mantenga las manos y pies alejados del área del puerto de expulsión.
 - Cuando esté conectada la manguera de aire, no transporte la herramienta con el dedo en el disparador

- ni se la pase a otra persona en este estado. El disparo accidental puede ser extremadamente peligroso.
- Maneje la herramienta con cuidado, ya que dentro de la herramienta hay una presión muy alta que puede ser peligrosa si se produce una grieta debido a un manejo brusco (dejando caer o golpeando la herramienta). No intente grabar ni esculpir en la herramienta.
 - Pare inmediatamente la operación de grapado si nota algo incorrecto o fuera de lo normal en la herramienta.
 - Desconecte siempre la manguera de aire y extraiga todas las grapas:
 - (9) Cuando deje la herramienta sin atender.
 - (10) Antes de realizar cualquier mantenimiento o reparación.
 - (11) Antes de despejar un atasco.
 - (12) Antes de mover la herramienta a un nuevo lugar.
 - Realice la limpieza y el mantenimiento inmediatamente después de terminar el trabajo. Mantenga la herramienta en perfectas condiciones. Lubrique las partes móviles para evitar la oxidación y minimizar el desgaste relacionado con la fricción. Quite todo el polvo de dichas partes.
 - No modifique la herramienta sin la autorización de Makita.
 - Pregunte en centros de servicio autorizados por Makita sobre la inspección periódica de la herramienta.
 - Para conservar la SEGURIDAD y la FIABILIDAD del producto, los trabajos de reparación y otros trabajos de mantenimiento deben ser realizados en centros de servicio autorizados de Makita, utilizando siempre repuestos Makita.
 - Utilice solamente el aceite de herramientas neumáticas especificado en este manual.
 - Nunca conecte la herramienta a una línea de aire comprimido en la que la presión máxima de la herramienta no se pueda superar en un 10% Asegúrese de que la presión suministrada por el sistema de aire comprimido no exceda la presión máxima permitida de la grapadora. Ajuste la presión de aire inicialmente a un valor inferior a la presión permitida recomendada.
 - No intente mantener el elemento de contacto del disparador presionado con cinta adhesiva o alambre. Puede sufrir lesiones graves o morir.
 - Conecte siempre el elemento de contacto como se indica en este manual. Se pueden clavar grapas accidentalmente si el mecanismo de seguridad no funciona correctamente.

GUARDE ESTAS INSTRUCCIONES.

Antes del uso

ADVERTENCIA:

- Nunca utilice la herramienta cuando el elemento de contacto no funcione correctamente.

La herramienta sólo funciona cuando el elemento de contacto se coloca contra la pieza de trabajo y se acciona el disparador mientras se ejerce presión sobre el elemento de contacto. Antes de su uso, asegúrese de que el elemento de contacto funcione correctamente mediante las comprobaciones del siguiente procedimiento.

1. Antes de realizar las comprobaciones, asegúrese de que la herramienta no esté cargada con grapas.
2. Conecte la manguera de aire a la herramienta.
3. Primero accione sólo el disparador. A continuación, suelte el disparador y coloque el elemento de contacto contra la pieza de trabajo. **(Fig. 2 y 3)**
4. Si la herramienta funciona con el procedimiento anterior, el elemento de contacto no funciona correctamente.

INSTALACIÓN

Selección del compresor (Fig. 4)

El compresor de aire debe cumplir con los requisitos de EN60335-2-34.

Seleccione un compresor que tenga una presión y salida de aire amplias para asegurar un funcionamiento eficiente. El gráfico muestra la relación entre la frecuencia de grapado, la presión aplicable y la salida de aire del compresor.

Así, por ejemplo, si el grapado se realiza a una frecuencia de aproximadamente 60 veces por minuto a una compresión de 1,77 MPa (17,7 bares), se requerirá un compresor con una salida de aire de más de 40 litros/minuto.

Cuando la presión del suministro de aire exceda la presión nominal de la herramienta se deberán utilizar reguladores de presión para limitar la presión de aire a la presión nominal de la herramienta. De no hacerlo, el operario de la herramienta o las personas cercanas pueden sufrir graves lesiones.

Selección de la manguera de aire (Fig. 5)

Utilice una manguera de aire resistente a las altas presiones.

Utilice una manguera de aire tan grande y corta como sea posible para asegurar una operación de grapado continua y eficiente.

PRECAUCIÓN:

- Una salida de aire baja del compresor, o una manguera de aire larga o de diámetro más pequeño en relación con la frecuencia de grapado podrá ocasionar una disminución de la capacidad de clavado de la herramienta.

Lubricación (Fig. 6)

Para asegurar el máximo rendimiento, instale un conjunto de aire (aceitero, regulador, filtro de aire) lo más cerca posible de la herramienta.

Ajuste el aceitero de forma que provea una gota de aceite cada 50 grapas.

Cuando no se utilice un conjunto de aire, engrase la herramienta con aceite de herramientas neumáticas poniendo 2 (dos) o 3 (tres) gotas en el conector de aire. Esto deberá hacerse antes y después del uso. Para una lubricación apropiada, la herramienta deberá ser disparada unas cuantas veces después de haber introducido el aceite de herramientas neumáticas. **(Fig. 7)**

DESCRIPCIÓN DEL FUNCIONAMIENTO

PRECAUCIÓN:

- Desconecte siempre la manguera antes de ajustar o comprobar la función de la herramienta.

Ajuste de la profundidad de grapado

PRECAUCIÓN:

- Desconecte siempre la manguera antes de ajustar la profundidad de grapado. (Fig. 8 y 9)

Si se clava una grapa con demasiada profundidad, gire el regulador en el sentido de las agujas del reloj. Si se clava una grapa demasiado superficialmente, gire el regulador en el sentido contrario a las agujas del reloj.

El intervalo ajustable es de 0 a 3 mm. (Un giro completo permite un ajuste de 0,8 mm.)

Gancho

PRECAUCIÓN:

- Desconecte siempre la manguera cuando cuelgue la herramienta mediante el gancho.
- Nunca cuelgue la herramienta en un cinturón o un objeto similar. Se puede provocar un peligroso disparo accidental. (Fig. 10)

El gancho es útil para colgar la herramienta temporalmente.

Se puede cambiar la posición del gancho.

Para cambiar la posición de instalación, retire el tornillo con un destornillador. Coloque el gancho en la posición deseada y fíjelo con el tornillo.

Adaptador de boquilla plana

PRECAUCIÓN:

- Desconecte siempre la manguera antes de instalar o extraer el adaptador de boquilla. (Fig. 11)

Antes de grapar en una superficie plana de una pieza de trabajo, acople el adaptador de boquilla plana al elemento de contacto.

Para acoplar el adaptador de boquilla plana al elemento de contacto, ejerza presión sobre el elemento de contacto hasta que el saliente del interior del adaptador de boquilla encaje en la ranura del elemento de contacto.

MONTAJE

PRECAUCIÓN:

- Desconecte siempre la manguera antes de realizar un trabajo en la herramienta.

Carga de la grapadora

PRECAUCIÓN:

- Desconecte siempre la manguera antes de cargar la herramienta o retirar las grapas.
- No utilice tiras de grapas o grapas deformadas. De lo contrario, la alimentación de grapas no será la idónea.
- Utilice siempre las grapas especificadas en este manual. De lo contrario, la alimentación de grapas no será la idónea.
- Devuelva siempre el empujador lenta y suavemente mientras lo sujeta con una mano.

- Si devuelve la base del empujador mientras el empujador está pulsado se impide que se carguen las grapas. No pulse el empujador durante la carga. (Fig. 12)

Inserte una tira de grapas en la ranura de la parte posterior del cargador hasta que sobrepase el tope de grapas. La herramienta acepta una tira de grapas (84 piezas) (Fig. 13)

Tire de la base del empujador completamente hacia la parte posterior del cargador y devuélvala lenta y suavemente a la posición original.

Extracción de las grapas (Fig. 14)

Sujete la herramienta de forma que la parte posterior del cargador mire hacia abajo.

Tire de la base del empujador ligeramente, pulse el empujador desde ambos lados y suelte las grapas. Devuelva la base del empujador suave y lentamente. Ejerza presión el tope de grapas y después extraiga las grapas de la parte posterior del cargador.

Conexión de la manguera de aire



Encaje el acoplador de aire de la manguera de aire en el conector de aire de la grapadora. Asegúrese de que el acoplador de aire quede bloqueado firmemente en posición cuando lo instale en el conector de aire. Se deberá instalar un acoplamiento de manguera en o cerca de la herramienta de tal forma que el depósito de presión se descargue al desconectar el acoplamiento de suministro de aire.

MANEJO

PRECAUCIÓN:

- Asegúrese de que todos los sistemas de seguridad estén en condiciones de funcionamiento antes de su utilización.
1. Para clavar una grapa, puede poner el elemento de contacto contra la pieza de trabajo y apretar el disparador o (Fig. 15 y 16)
 2. Apriete el gatillo primero y después poner el elemento de contacto contra la pieza de trabajo.
- El método nº 1 se aplica para el grapado intermitente, cuando se desea clavar una grapa con cuidado y de forma muy precisa.
 - El método nº 2 se aplica al grapado continuo.

PRECAUCIÓN:

- No obstante, cuando la herramienta esté configurada en el modo de "grapado intermitente", CON EL DISPARADOR APRETADO HASTA LA MITAD, puede producirse un grapado inesperado si se permite que el elemento de contacto vuelva a hacer contacto con la pieza de trabajo o con otra superficie bajo la influencia del retroceso.
Para evitar este grapado inesperado, siga los siguientes pasos;
- A. No coloque el elemento de contacto contra la pieza de trabajo con excesiva fuerza.
- B. Tire del disparador completamente y manténgalo así durante 1 ó 2 segundos después del grapado.
- Para el método nº 1, coloque la palanca de cambio en la posición .
Para el método nº 2, coloque la palanca de cambio en la posición .

Después de utilizar la palanca de cambio para cambiar el método de grapado, asegúrese siempre de que la palanca de cambio se haya puesto correctamente en la posición del método de grapado deseado. (Fig. 17 y 18)

Colocación de suelos

PRECAUCIÓN:

- La inclinación excesiva de la herramienta suele causar el inflado de la superficie de la pieza de trabajo. Si se sujeta en una posición demasiado vertical la pieza de trabajo se suele romper.
- El inflado o la rotura del punto grapado de la pieza de trabajo se puede producir en función de múltiples condiciones de grapado, incluso cuando el grapado se realiza sujetando la herramienta en el ángulo especificado. Haga algunas pruebas antes de realizar el grapado. (Fig. 19)

Para el grapado que requiere precisión como, por ejemplo, la colocación de suelos, utilice el modo "Grapado intermitente".

Durante el grapado, sujete la herramienta inclinándola en los ángulos de 50° - 55° que se muestran en la figura.

Mecanismo contra el disparo en vacío

Con este mecanismo se evita que la herramienta se dispare sin ningún clavo.

La prevención contra el disparo en vacío se activa automáticamente cuando sólo quedan aproximadamente 5 piezas.

Dirección del aire de escape (Fig. 20)

La dirección del aire de escape se puede cambiar 360 grados de ángulo girando la cubierta de escape a mano.

Extracción de grapas atascadas

ADVERTENCIA:

- Desconecte siempre la manguera antes de extraer grapas.

Extraiga las grapas del cargador. (Consulte la sección con el título "Extracción de las grapas".) (Fig. 21)

Extraiga la llave Allen de su alojamiento dentro de la cubierta del cargador empujándola desde la parte frontal. (Fig. 22)

Retire los dos tornillos que fijan la parte superior del contacto con la llave hexagonal.

Aparecerá la guía del alimentador de grapas. Despeje el atasco.

Si aún no puede extraer las grapas atascadas, retire los otros dos tornillos que fijan la guía frontal con la llave Allen para despejar el atasco.

MANTENIMIENTO

PRECAUCIÓN:

- Desconecte siempre la manguera de aire de la herramienta antes de intentar realizar una inspección o mantenimiento.

Mantenimiento de la grapadora

Compruebe siempre la herramienta antes de su uso para ver su estado general y si hay tornillos sueltos. Apriete según sea necesario.

Con la herramienta desconectada, haga una inspección diaria para asegurarse del libre movimiento del elemento de contacto y el disparador. No utilice la herramienta si el elemento de contacto o el disparador se bloquea o se adhiere.

Drenaje de la herramienta (Fig. 23)

Desconecte la manguera de la herramienta. Coloque la herramienta de forma que la cara de acoplamiento del aire mire hacia el suelo. Drene tanto como sea posible.

Limpieza de la herramienta

El polvo metálico que se adhiere al imán se puede retirar con un soplador de aire.

Tapa

Cuando no la utilice, desconecte la manguera. A continuación, tape el conector de aire con la tapa. (Fig. 24)

Almacenamiento

Cuando no se utilice, la grapadora debe almacenarse en un lugar templado y seco.

Mantenimiento del compresor, el conjunto de aire y la manguera de aire (Fig. 25 y 26)

Después de una operación, drene siempre el tanque compresor y el filtro de aire. Si permite que entre humedad en la herramienta, podrá provocar un rendimiento deficiente y un posible fallo de la herramienta.

Compruebe regularmente si hay suficiente aceite de herramientas neumáticas neumático en el aceitero del conjunto de aire. Si no se mantiene una suficiente lubricación las juntas tóricas se desgastarán rápidamente. (Fig. 27)

Mantenga la manguera de aire alejada del calor (más de 60 °C, más de 140 °F) y de sustancias químicas (disolvente, ácidos fuertes o alcalinos). Además, tienda la manguera alejada de obstáculos en los que pueda engancharse peligrosamente durante la operación. Las mangueras también deberán tenderse alejadas de cantos cortantes y áreas que puedan ocasionar daños o abrasión a la manguera. (Fig. 28)

Para conservar la SEGURIDAD y la FIABILIDAD del producto, los trabajos de reparación y otros trabajos de mantenimiento y ajuste deberán ser realizados en centros de servicio autorizados de Makita, utilizando siempre repuestos Makita.

ACCESORIOS

PRECAUCIÓN:

- Se recomienda el uso de estos accesorios o complementos con la herramienta Makita especificada en este manual. El uso de otros accesorios o complementos puede conllevar el riesgo de ocasionar daños corporales. Utilice los accesorios o complementos solamente para su fin establecido.

Si necesita cualquier ayuda para obtener más información relativa a estos accesorios, pregunte al centro de servicio Makita local.

- Grapas
- Mangueras de aire
- Gafas de seguridad

Ruido y vibración

Los niveles de ruido típicos de ponderación A son
nivel de presión sonora: 80 dB (A)
nivel de potencia sonora: 93 dB (A).

Utilice protección para los oídos.

El valor ponderado de aceleración no es superior a
2,5 m/s².

Incertidumbre (K): 1,5 m/s²

Estos valores se han obtenido conforme a EN792.

DECLARACIÓN DE CONFORMIDAD DE LA CE

ENH013-7

Modelo; AT450H

Declaramos bajo nuestra exclusiva responsabilidad que
este producto cumple con los siguientes estándares de
documentos estandarizados:

EN792 de acuerdo con las directivas del Consejo
98/37/EC.

CE 2008



Tomoyasu Kato
Director

Fabricante responsable:

Makita Corporation

3-11-8, Sumiyoshi-cho, Anjo, Aichi, JAPÓN

Representante autorizado en Europa:

Makita International Europe Ltd.

Michigan Drive, Tongwell, Milton Keynes, Bucks MK15
8JD, REINO UNIDO

Descrição geral

- | | | |
|--|------------------------------|-------------------------|
| 1. Óculos de protecção | 12. Alinhado | 24. Ventilação de saída |
| 2. Visor de protecção | 13. Demasiado superficial | 25. Chave sextavada |
| 3. Elemento de contacto | 14. Parafuso | 26. Guia dianteira |
| 4. Gatilho | 15. Gancho | 27. Tampa de contacto |
| 5. Peça de trabalho | 16. Encaixe | 28. Bujão |
| 6. Débito de ar por minuto do compressor | 17. Saliência | 29. Filtro de ar |
| 7. Frequência de pregagem | 18. Adaptador de ponta chata | 30. Lubrificador |
| 8. Regulador | 19. Batente de agrafos | 31. Óleo pneumático |
| 9. Profundo | 20. Base do impulsor | 32. Diluente |
| 10. Superficial | 21. Impulsor | 33. Fogão |
| 11. Demasiado profundo | 22. Alavanca de comutação | |
| | 23. Regulador da saída de ar | |

ESPECIFICAÇÕES

Modelo	AT450H
Pressão de ar	1,28 - 2,26 MPa (12,8 - 22,6 bar)
Agrafos aplicáveis	25 mm - 50 mm
Capacidade de agrafos	84 agrafos (1 faixa), máx. 105 agrafos
Diâmetro mínimo da mangueira	5,0 mm
Dimensões (C X A X L)	261 mm X 115 mm X 269 mm
Peso líquido	1,4 kg

- Devido à pesquisa e desenvolvimento constantes, estas especificações estão sujeitas a alteração sem aviso prévio.
- Nota: estas especificações podem diferir de país para país.

Símbolos

END106-2

Descrição dos símbolos utilizados no equipamento.
Certifique-se de que compreende o seu significado, antes da utilização.



..... Ler o manual de instruções.



..... Use óculos de segurança.



..... Não utilizar em andaimes ou escadas.

Utilização prevista

ENE054-1

Esta ferramenta destina-se a colocar agrafos em materiais de construção tais como, por exemplo, madeiras.

INSTRUÇÕES DE SEGURANÇA IMPORTANTES

ENB112-1

AVISO: DURANTE A UTILIZAÇÃO DESTA FERRAMENTA, DEVEM SER CUMPRIDAS AS PRECAUÇÕES DE SEGURANÇA BÁSICAS, PARA REDUZIR O RISCO DE FERIMENTOS, INCLUINDO AS SEGUINTE:

LEIA TODAS AS INSTRUÇÕES.

- Para garantir a segurança pessoal e um funcionamento e manutenção correctos da ferramenta,

leia este manual de instruções antes de utilizar a ferramenta.

- Use sempre óculos de segurança para proteger os seus olhos contra pó ou ferimentos devido aos agrafos.

AVISO:

É da responsabilidade da entidade empregadora garantir o uso do equipamento de protecção para os olhos por parte dos operadores e outras pessoas perto da área de trabalho.

- Apenas para a Austrália e Nova Zelândia
Use sempre óculos de segurança e o visor de protecção para proteger os seus olhos contra pó ou ferimentos devido aos agrafos. Os óculos de segurança e o visor de protecção devem respeitar os requerimentos de AS/NZS 1336.

AVISO:

É da responsabilidade da entidade empregadora garantir o uso do equipamento de protecção para os olhos por parte dos operadores e outras pessoas perto da área de trabalho. (**Fig. 1**)

- Use protecção para os ouvidos para os proteger contra os ruídos de trabalho e protecção para a cabeça. Use roupa leve mas não folgada. As mangas devem estar apertadas ou enroladas. Não devem ser usadas gravatas.
- Fazer o trabalho à pressa ou forçar a ferramenta é perigoso. Segure com cuidado na ferramenta. Não utilize quando estiver sob a influência de álcool, medicamentos ou substâncias semelhantes.
- Linhas orientadoras para a utilização da ferramenta:
 - (1) Presuma sempre que a ferramenta contém pregos.

- (2) Não aponte a ferramenta na sua direcção ou de outra pessoa, independentemente de conter pregos ou não.
 - (3) Não active a ferramenta a não ser que a ferramenta seja colocada firmemente contra a peça de trabalho.
 - (4) Respeite a ferramenta como uma ferramenta de trabalho.
 - (5) Não é um brinquedo.
 - (6) Não segure ou transporte a ferramenta com um dedo no gatilho.
 - (7) Não carregue a ferramenta com pregos quando qualquer um dos comandos de funcionamento estiver activado.
 - (8) Não utilize a ferramenta com qualquer outra fonte de alimentação além da especificada nas instruções de funcionamento/segurança da ferramenta.
- Não deve ser utilizada uma ferramenta que não funcione correctamente.
 - Por vezes saltam faíscas quando a ferramenta é utilizada. Não utilize a ferramenta perto de materiais voláteis e inflamáveis, tais como gasolina, diluente, tinta, gás, adesivos, etc., uma vez que estes se incendiarão e explodirão, provocando ferimentos graves.
 - A área deve estar suficientemente iluminada para garantir um funcionamento seguro. A área deve estar desimpedida e limpa. Tenha especial atenção em manter um bom apoio e equilíbrio.
 - Apenas as pessoas envolvidas no trabalho se devem encontrar nas proximidades. As crianças devem estar sempre afastadas.
 - Poderão existir normas locais relativamente ao ruído, que devem ser cumpridas mantendo os níveis de ruído dentro dos limites indicados. Em determinados casos, devem ser utilizados elementos de isolamento acústico.
 - Não brinque com o elemento de contacto: evita o accionamento accidental, não devendo ser removido. Fixar o gatilho na posição ON (ligado) é igualmente muito perigoso. Nunca tente apertar o gatilho. Não utilize a ferramenta se qualquer parte dos comandos estiver inoperacional, desligada, alterada ou a funcionar incorrectamente.
 - Utilize a ferramenta dentro da pressão de ar especificada de 1,28 - 2,26 MPa (12,8 - 22,6 bar) para garantir a segurança e uma maior longevidade da ferramenta. Não exceda a pressão de funcionamento máxima recomendada de 2,26 MPa (22,6 bar). A ferramenta não deve ser ligada a uma fonte em que a pressão exceda potencialmente 3,39 MPa (33,9 bar).
 - Certifique-se de que a pressão fornecida pelo sistema de ar comprimido não excede a pressão máxima permitida da ferramenta de inserção de pregos. Ajuste inicialmente a pressão do ar para o valor mínimo da pressão permitida recomendada (consulte as ESPECIFICAÇÕES).
 - Nunca use a ferramenta a não ser com ar comprimido. Se utilizar gás engarrafado (dióxido de carbono, oxigénio, nitrogénio, hidrogénio, ar, etc.) ou gás combustível (hidrogénio, propano, acetileno, etc.) como fonte de alimentação, a ferramenta explodirá causando ferimentos graves.
 - Antes de utilizar, verifique sempre a condição geral da ferramenta e inspecione para ver se há parafusos soltos. Aperte-os como necessário.
 - Certifique-se de que todos os sistemas de segurança estão a funcionar adequadamente antes de utilizar a ferramenta. A ferramenta não deve funcionar caso prima apenas o gatilho ou pressione apenas o elemento de contacto contra a madeira. Esta deve funcionar apenas ao executar ambas as acções. Faça um teste sem agrafos e com o impulsor na posição de apertado para verificar se há problemas no funcionamento.
 - Inspecione cuidadosamente as paredes, tecto, pisos e telhados para evitar o risco de choque eléctrico, fuga de gás, explosões, etc. que podem resultar do contacto dos pregos com fios ligados, condutos ou canos de gás.
 - Utilize apenas agrafos especificados neste manual. A utilização de agrafos diferentes pode causar o mau funcionamento da ferramenta.
 - Nunca utilize pregadores marcados com a inscrição “Não utilizar em andaimes ou escadas” para aplicações específicas, por exemplo:
 - quando ao mudar de uma posição de trabalho para outra for preciso utilizar andaimes, degraus, escadas usadas em construção, por exemplo, ripas de telhado;
 - ao fechar caixas ou engradados;
 - ao fixar sistemas de segurança de transporte, por exemplo, em veículos ou vagões.
 - Não permita que pessoas não familiarizadas utilizem a ferramenta.
 - Assegure-se de que não há ninguém nas proximidades antes de agrafar. Nunca tente agrafar a partir do interior e exterior ao mesmo tempo, os agrafos podem atravessar e/ou serem projectados, apresentando um perigo grave.
 - Tenha cuidado e mantenha-se numa posição firme e equilibrada durante a utilização da ferramenta. Certifique-se de que ninguém está por baixo quando trabalhar em locais altos e fixe a mangueira de ar para evitar acidentes caso a mesma se enrosque em algo ou haja um movimento brusco e súbito.
 - Ao trabalhar em telhados ou outros locais altos, agrafe movendo-se para a frente. É fácil perder o equilíbrio se agrafar movendo-se para trás. Quando está a agrafar contra superfícies perpendiculares, agrafe de cima para baixo. Assim, poderá executar a operação de agrafar com menos cansaço.
 - O agrafador poderá entortar-se ou a ferramenta poderá encravar se agrafar sobre outro agrafador por engano ou se atingir um nó da madeira. O agrafador poderá sair disparado e atingir alguém ou a própria ferramenta pode reagir de modo perigoso. Coloque os agrafos com cuidado.
 - Não deixe a ferramenta carregada ou o compressor de ar com pressão sob o sol durante muito tempo. Certifique-se de que poeira, areia, pedaços de madeira ou outros objectos estranhos não entram na ferramenta onde a deixar.
 - Não aponte a porta de ejeção a ninguém que se encontre nas proximidades. Mantenha as mãos e os pés afastados da área da porta de ejeção.

- Se a mangueira de ar estiver conectada, não transporte a ferramenta com o dedo no gatilho nem a entregue a alguém nessa condição. O disparo acidental pode ser extremamente perigoso.
- Manuseie a ferramenta com cuidado dado que há pressão muito alta dentro da mesma e pode ser perigoso se houver uma fissura causada por um manuseamento impróprio (derrubar ou bater a mesma).
Não tente entalhar ou esculpir na ferramenta.
- Pare de agrafar imediatamente se notar qualquer problema ou algo anormal com a ferramenta.
- Desligue sempre a mangueira de ar e retire todos os agrafos:
 - (9) Quando a deixar sem vigilância.
 - (10) Antes de efectuar qualquer operação de manutenção ou reparação.
 - (11) Antes de eliminar qualquer obstrução.
 - (12) Antes de levar a ferramenta para um novo local.
- Efectue a limpeza e a manutenção logo após terminar o trabalho. Mantenha a ferramenta em ótimas condições. Lubrifique as peças giratórias para evitar que fiquem enferrujadas e para minimizar o desgaste devido à fricção. Limpe a poeira das peças.
- Não modifique a ferramenta sem autorização prévia da Makita.
- Solicite a inspeção periódica da ferramenta nos centros de assistência autorizados Makita.
- Para manter os níveis de **SEGURANÇA** e **FIABILIDADE** definidos para este produto, as reparações e operações de manutenção devem ser executadas por centros de assistência Makita autorizados, utilizando sempre peças de substituição da Makita.
- Utilize apenas o lubrificante para ferramentas pneumáticas especificado neste manual.
- Nunca ligue a ferramenta a um linha de ar comprimido na qual a pressão máxima permitida da ferramenta não possa ser excedida em 10%. Certifique-se de que a pressão fornecida pelo sistema de ar comprimido não excede a pressão máxima permitida da ferramenta de inserção de pregos. Ajuste inicialmente a pressão do ar para o valor mínimo de pressão permitida recomendada.
- Não tente manter o elemento de contacto do gatilho pressionado com fita-cola ou fios. Pode provocar morte ou ferimentos graves.
- Verifique sempre o elemento de contacto de acordo com as instruções constantes neste manual. Os agrafos podem não penetrar o suficiente se o mecanismo de segurança não estiver a funcionar correctamente.

GUARDE ESTAS INSTRUÇÕES.

Antes de utilização

AVISO:

- Nunca utilize a ferramenta quando o elemento de contacto não funcionar adequadamente.

A ferramenta funciona quando o elemento de contacto está colocado contra a peça de trabalho e o gatilho é premido com o elemento de contacto pressionado. Antes da utilização, certifique-se de que o elemento de contacto

funciona correctamente verificando de acordo com o seguinte procedimento,

1. Antes de verificar, certifique-se de que a ferramenta não está carregada com agrafos.
2. Ligue a mangueira de ar à ferramenta.
3. Primeiro prima apenas o gatilho. Depois solte o gatilho e coloque o elemento de contacto contra a peça de trabalho. **(Fig. 2 e 3)**
4. Se a ferramenta funcionar no procedimento acima, o elemento de contacto não funciona adequadamente.

INSTALAÇÃO

Seleção do compressor (Fig. 4)

O compressor de ar deve cumprir os requisitos da norma EN60335-2-34.

Selecione um compressor que tenha ampla pressão e débito de ar para garantir uma operação com eficiência de custo. O gráfico ilustra a relação entre a frequência de agrafagem, pressão aplicável e débito do ar comprimido. Por exemplo, se agrafar a uma taxa de aproximadamente 60 vezes por minuto, a uma compressão de 1,77 MPa (17,7 bar), é necessário um compressor com saída de ar de 40 litros/minuto.

Se a pressão do ar fornecido exceder a pressão indicada na ferramenta, será necessário utilizar reguladores de pressão para limitar a pressão do ar de acordo com a pressão indicada para a ferramenta. Caso contrário, poderá resultar em ferimentos graves no operador da ferramenta ou em outras pessoas nas proximidades.

Seleção da mangueira de ar (Fig. 5)

Utilize uma mangueira de ar robusta e de alta pressão. Utilize uma mangueira de ar tão larga e tão curta quanto possível para garantir uma operação de agrafagem contínua e eficiente.

PRECAUÇÃO:

- Um débito de ar reduzido do compressor ou uma mangueira de ar longa e com diâmetro pequeno em relação à frequência de agrafagem pode diminuir a capacidade de funcionamento da ferramenta.

Lubrificação (Fig. 6)

Para garantir o máximo desempenho, instale um conjunto de ar (recipiente de óleo, regulador e filtro de ar) o mais próximo possível da ferramenta.

Ajuste o lubrificador de forma que forneça uma gota de óleo para cada 50 agrafos.

Se não utilizar um conjunto de ar, lubrifique a ferramenta com lubrificante para ferramentas pneumáticas colocando 2 (duas) ou 3 (três) gotas no conector de ar. Isto deve ser feito antes e após a utilização. Para uma lubrificação adequada, a ferramenta deve ser accionada algumas vezes após a colocação do lubrificante para ferramentas pneumáticas. **(Fig. 7)**

DESCRIÇÃO DO FUNCIONAMENTO

PRECAUÇÃO:

- Desligue sempre o tubo flexível antes de regular ou verificar a função da ferramenta.

Ajustar a profundidade de penetração do agrafador

PRECAUÇÃO:

- Desligue sempre a mangueira de ar antes de regular a profundidade de agrafagem. (Fig. 8 e 9)

Se um agrafador penetrar em demasia, rode o regulador para a direita. Se um agrafador penetrar pouco, rode o regulador para a esquerda.

O intervalo ajustável é 0 - 3 mm. (Uma volta completa permite uma regulação de 0,8 mm.)

Gancho

PRECAUÇÃO:

- Desligue sempre a mangueira quando pendurar a ferramenta através do gancho.
- Nunca pendure a ferramenta num cinto ou algo do género. Pode resultar em disparo acidental perigoso. (Fig. 10)

O gancho é muito útil para pendurar a ferramenta temporariamente.

A posição do gancho pode ser alterada.

Quando mudar a posição de instalação, retire o parafuso com uma chave de fendas. Instale o gancho na posição pretendida e depois fixe-o com o parafuso.

Adaptador de ponta chata

PRECAUÇÃO:

- Desligue sempre o tubo flexível antes de instalar ou retirar o adaptador de ponta chata. (Fig. 11)

Antes de agrafar na superfície plana da peça de trabalho, engate o adaptador de ponta chata no elemento de contacto.

Para engatar o adaptador da ponta no elemento de contacto, pressione-o no elemento de contacto até que a saliência dentro do adaptador da ponta encaixe na ranhura do elemento de contacto.

MONTAGEM

PRECAUÇÃO:

- Desligue sempre o tubo flexível antes de efectuar qualquer trabalho na ferramenta.

Carregar agrafador

PRECAUÇÃO:

- Desligue sempre a mangueira antes de carregar a ferramenta ou retirar os agrafos.
- Não utilize agrafos deformados ou arrancados. Não respeitar esta instrução pode causar mau reabastecimento de agrafos.
- Utilize sempre agrafos especificados neste manual de instruções. Não respeitar esta instrução pode causar mau reabastecimento de agrafos.
- Recue sempre o impulsor lento e gentilmente enquanto o segura com uma mão.
- Recuar a base do impulsor com este pressionado não permite que os agrafos sejam carregados. Não pressione o impulsor aquando do carregamento. (Fig. 12)

Introduza uma faixa de agrafos na abertura da parte traseira do carregador até ultrapassar o batente de

agrafos. A ferramenta aceita uma faixa de agrafos (84 agrafos) (Fig. 13)

Puxe a base do impulsor ao máximo para a parte de trás do carregador e deixe regressar lenta e gentilmente à posição original.

Retirar agrafos (Fig. 14)

Segure a ferramenta de modo a que a parte de trás do carregador fique virada para baixo.

Puxe ligeiramente a base do impulsor, pressione o impulsor em ambos os lados e solte os agrafos. Recuar a base do impulsor lenta e gentilmente.

Pressione o batente de agrafos e depois retire os agrafos da parte de trás do carregador.

Ligar a mangueira de ar

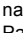
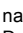
Introduza a entrada de ar da mangueira de ar no conector de ar do agrafador. Certifique-se de que a entrada de ar fica bem bloqueada no lugar quando instalada no conector de ar. Deve ser instalada uma união da mangueira na ou perto da ferramenta, de forma a que o depósito de pressão descarregue quando a união do fornecimento de ar for desligada.

FUNCIONAMENTO

PRECAUÇÃO:

- Certifique-se de que todos os sistemas de segurança estão a funcionar adequadamente antes de utilizar a ferramenta.
- Para agrafar, coloque o elemento de contacto contra a peça de trabalho e prima o gatilho, ou (Fig. 15 e 16)
 - primeiro prima o gatilho e depois coloque o elemento de contacto contra a peça de trabalho.
- O método n° 1 é para agrafagem intermitente, quando deseja agrafar cuidadosa e precisamente.
 - O método n° 2 é para agrafagem contínua.

PRECAUÇÃO:

- No entanto quando a ferramenta está colocada no modo de "Agrafagem Intermitente", COM O GATILHO MANTIDO NA POSIÇÃO DE MEIO CARREGADO, pode ocorrer uma agrafagem inesperada se o elemento de contacto volta a contactar a peça de trabalho ou outra superfície sob a influência do recuo. Para evitar esta agrafagem inesperada, execute o seguinte:
- A. Não coloque o elemento de contacto contra a peça de trabalho com força excessiva.
 - B. Carregue completamente no gatilho e mantenha-o pressionado durante 1-2 segundos depois da agrafagem.
- Para o método n° 1, coloque a alavanca de alteração na posição . Para o método n° 2, coloque a alavanca de alteração na posição . Depois de utilizar a alavanca de comutação para mudar o método de agrafar, certifique-se de que a alavanca de alteração está colocada na posição correcta para o método de agrafar desejado. (Fig. 17 e 18)

Revestimento do chão

PRECAUÇÃO:

- Inclinado demasiado a ferramenta tende a produzir inflação na superfície da peça de trabalho. Segurar a ferramenta verticalmente tende a causar uma quebra da peça de trabalho.
- Inflação ou quebra no local agrafado da peça de trabalho pode ocorrer dependendo de muitas condições de agrafagem, mesmo quando agrafa segurando a ferramenta no ângulo específico. Tente em algumas amostras de teste antes de agrafar. (Fig. 19)

Aquando de uma agrafagem que necessita de precisão, como revestimento de chão, utilize o modo "Agrafagem intermitente".

Quando agrafar, segure a ferramenta inclinando-a em ângulos 50° - 55° mostrados na imagem.

Mecanismo anti-accionamento

Este é o mecanismo que evita que a ferramenta seja disparada sem prego.

A prevenção anti-accionamento é automaticamente accionada quando os pregos chegam aproximadamente às últimas 5 peças.

Direcção da ventilação de ar (Fig. 20)

A direcção da ventilação do ar pode mudar em ângulo de 360 graus girando o regulador da saída de ar com a mão.

Retirar os agrafos encravados

AVISO:

- Desligue sempre o tubo flexível antes de retirar os agrafos.

Retire os agrafos do carregador. (Consulte a secção intitulada "Retirar agrafos".) (Fig. 21)

Retire a chave sextavada do suporte dentro da tampa do carregador empurrando-a a partir da parte da frente.

(Fig. 22)

Retire dois parafusos fixando a parte superior do contacto com a chave sextavada.

A guia alimentadora de agrafos surgirá e eliminará o encravamento.

Enquanto ainda não consegue retirar os pregos bloqueados, retire os dois parafusos que fixam a guia dianteira com a chave sextavada para eliminar o encravamento.

MANUTENÇÃO

PRECAUÇÃO:

- Desligue sempre a mangueira de ar da ferramenta antes de tentar executar qualquer inspecção ou manutenção.

Manutenção do agrafador

Antes de utilizar, verifique sempre a condição geral da ferramenta e inspecione para ver se há parafusos soltos. Aperte-os como necessário.

Com a ferramenta desligada, faça uma inspecção diária para assegurar um movimento livre do elemento de contacto e do gatilho. Não use a ferramenta se o elemento de contacto ou o gatilho estiver a colar ou a prender.

Drenar a ferramenta (Fig. 23)

Retire a mangueira da ferramenta. Coloque a ferramenta de forma a que a saída de ar fique virada para o chão. Purgue o máximo de ar possível.

Limpar a ferramenta

As limalhas de ferro que aderem ao íman pode ser retiradas com uma pistola de ar.

Tampa

Quando não estiver em utilização, desligue a mangueira. De seguida, tape o conector de ar com a tampa. (Fig. 24)

Armazenamento

Quando não estiver em utilização deve ser guardada num local quente e seco.

Manutenção do compressor, conjunto de ar e mangueira de ar (Fig.25 e 26)

Após utilizar, drene sempre o tanque do compressor e o filtro de ar. Se entrar humidade na ferramenta, poderá afectar o desempenho ou causar falha da ferramenta.

Inspeccione regularmente para ver se há lubrificante para ferramentas pneumáticas suficiente no lubrificador do conjunto de ar. Se a lubrificação não for suficiente, os anéis em O ficarão rapidamente desgastados. (Fig. 27)

Mantenha a mangueira de ar afastada de calor (acima de 60 °C ou 140 °F) e de produtos químicos (diluentes, ácidos fortes ou álcalis). Além disso, coloque a mangueira longe de obstáculos nos quais a mesma possa ser presa perigosamente durante a utilização.

As mangueiras também devem ser direccionadas para longe de arestas aguçadas ou áreas que possam causar danos ou abrasão. (Fig. 28)

Para manter os níveis de SEGURANÇA e FIABILIDADE definidos para este produto, as reparações e os procedimentos de manutenção ou ajustes devem ser executados por centros de assistência Makita autorizados, utilizando sempre peças de substituição Makita.

ACESSÓRIOS

PRECAUÇÃO:

- Os seguintes acessórios ou extensões são os recomendados para utilizar com a ferramenta Makita especificada neste manual. A utilização de outros acessórios ou extensões pode provocar ferimentos. Utilize cada acessório ou extensão apenas para o fim indicado.

Se precisar de informações adicionais relativas aos acessórios, contacte o centro local de assistência Makita.

- Agrafos
- Mangueiras de ar
- Óculos protectores

Apenas para os países europeus
Ruído e vibrações

ENG045-2

Os níveis típicos de ruído ponderado A são
nível de pressão sonora: 80 dB (A)
nível de potência sonora: 93 dB (A).

Use protecção para os ouvidos.

A raiz quadrada do valor médio ponderado da variação da
aceleração não é superior a 2,5 m/s².

Imprecisão (K): 1,5 m/s².

Estes valores foram obtidos segundo a norma EN792.

CE - DECLARAÇÃO DE CONFORMIDADE ENH013-7
Modelo; AT450H

Declaramos, sob a nossa única responsabilidade, que
este produto está em conformidade com as seguintes
normas de documentos normalizados;
EN792 em conformidade com as normas do Conselho,
98/37/CE.

CE 2008



Tomoyasu Kato
Administrador

Fabricante responsável:

Makita Corporation

3-11-8, Sumiyoshi-cho, Anjo, Aichi, JAPÃO

Representante autorizado na Europa:

Makita International Europe Ltd.

Michigan Drive, Tongwell, Milton Keynes, Bucks MK15
8JD, INGLATERRA

Forklaring til generel oversigt

1. Beskyttelsesbriller	12. Flugter	24. Udstødningsåbning
2. Ansigtsskærm	13. For lidt	25. Unbrakonøgle
3. Kontaktelement	14. Skrue	26. Frontstyr
4. Afbryderkontakt	15. Krog	27. Kontakttop
5. Arbejdsemne	16. Rille	28. Drænhane
6. Afgivelse af kompressorluft pr. minut	17. Fremspring	29. Luftfilter
7. Klammefrekvens	18. Flad spidsadapter	30. Smørenippel
8. Justeringsenhed	19. Hæfteklammestopper	31. Trykluftsolie
9. Dybere	20. Trykanordningens base	32. Fortynder
10. Mindre dyb	21. Trykanordning	33. Ovn
11. For dybt	22. Skiftearm	
	23. Udsugningsdæksel	

SPECIFIKATIONER

Model	AT450H
Lufttryk	1,28 - 2,26 MPa (12,8 - 22,6 bar)
Anvendelige hæfteklammer	25 mm - 50 mm
Hæfteklammekapacitet	84 stk. (1 stribe), maks. 105 stk.
Mindste slangediameter	5,0 mm
Størrelse (L x H x B)	261 mm x 115 mm x 269 mm
Nettovægt	1,4 kg

- På grund af vores løbende forsknings- og udviklingsprogram kan specifikationerne heri ændres uden forudgående varsel.
- Bemærk: Specifikationerne kan variere fra land til land.

Symboler

END106-2

Følgende viser de symboler, der benyttes til udstyret. Vær sikker på, at du forstår deres betydning, før du bruger værktøjet.



..... Læs brugsanvisningen.



..... Bær beskyttelsesbriller.



..... Anvend ikke værktøjet på stilladser eller stiger.

Tilslaget brug

ENE054-1

Værktøjet er beregnet til at slå hæfteklammer ind i byggematerialer såsom tømmer.

VIGTIGE SIKKERHEDSINSTRUKTIONER

ENB112-1

ADVARSEL: UNDER ANVENDELSEN AF VÆRKTØJET SKAL DU ALTID OVERHOLDE DE GRUNDLÆGGENDE SIKKERHEDSFORANSTALTNINGER FOR AT MINDSKE RISIKOEN FOR PERSONSKADE, INKLUSIVE FØLGENDE:

LÆS ALLE INSTRUKTIONER.

- Af hensyn til din personlige sikkerhed og for at sikre korrekt brug og vedligeholdelse af værktøjet skal du læse denne brugsanvisning, før du anvender værktøjet.
- Bær altid beskyttelsesbriller for at beskytte øjnene mod støv eller skader forårsaget af hæfteklammer.
ADVARSEL:
Det er arbejdsgiverens ansvar at påbyde brug af beskyttelsesudstyr til øjnene af brugerne af værktøjet samt af andre personer i arbejdsområdet.
- Gælder kun Australien og New Zealand
Bær altid beskyttelsesbriller og ansigtsskærm for at beskytte øjnene mod støv eller skader forårsaget af hæfteklammer. Beskyttelsesbrillerne og ansigtsskærmen skal være i overensstemmelse med AS/NZS 1336.
ADVARSEL:
Det er arbejdsgiverens ansvar at påbyde brug af beskyttelsesudstyr til øjnene af brugerne af værktøjet samt af andre personer i arbejdsområdet. **(Fig. 1)**
- Bær høreværn for at beskytte hørelsen mod udstødningsstøj, og bær desuden hovedbeskyttelse. Bær også let, men ikke løs beklædning. Ærmer skal være knappet eller rullet op. Undlad at bære slips.
- Det er farligt at arbejde forhastet eller bruge magt på værktøjet. Håndter værktøjet forsigtigt. Undlad at benytte det, hvis du er påvirket af alkohol, medicin eller lignende.
- Generelle retningslinjer for brug af værktøjet:

- (1) Gå altid ud fra, at værktøjet indeholder befæstelselementer.
 - (2) Ret ikke værktøjet mod dig selv eller andre, uanset om det indeholder befæstelselementer eller ej.
 - (3) Aktiver ikke værktøjet, medmindre det er placeret fast mod arbejdsområdet.
 - (4) Hav respekt for værktøjet som værende et arbejdsredskab.
 - (5) Undlad at lege med værktøjet.
 - (6) Undlad at holde eller bære værktøjet med en finger på afbryderkontakten.
 - (7) Undlad at sætte befæstelselementer i værktøjet, mens en af betjeningskontrollerne er aktiveret.
 - (8) Undlad at betjene værktøjet med en anden strømkilde end den, der er angivet i værktøjets betjenings- og sikkerhedsinstruktioner.
- Anvend ikke værktøjet, hvis det ikke fungerer korrekt.
 - Der kan forekomme gnister, når værktøjet anvendes. Undlad at anvende værktøjet i nærheden af flygtige, brændbare materialer som benzin, fortynder, maling, gas, klæbemidler osv. De kan antændes og eksplodere og forårsage alvorlig personskade.
 - Arbejdsområdet skal være tilstrækkeligt oplyst til at sikre forsvarlig anvendelse. Området skal være rent og frit for affald. Sørg især for at sikre godt fodfæste og god balance.
 - Kun personer, der deltag i arbejdet, må opholde sig i nærheden. Især må børn ikke komme i nærheden.
 - Der kan gælde lokal lovgivning vedrørende støj, som skal overholdes for at holde støjniveauet inden for de lovmæssige grænser. I nogle tilfælde skal der benyttes skodder til at dæmpe støjen.
 - Undlad at pille ved kontaktelelementet. Det forhindrer udladning ved uheld, og det skal derfor forblive monteret og må ikke fjernes. Det er også meget farligt at fastlåse afbryderkontakten i ON-stillingen. Forsøg aldrig at fastlåse afbryderkontakten. Undlad at betjene værktøjet, hvis nogen del af værktøjets betjeningskontroller ikke kan benyttes, er deaktiveret, ændret eller ikke fungerer korrekt.
 - Anvend værktøjet med det angivne lufttryk på 1,28 - 22,6 MPa (12,8 - 22,6 bar) af sikkerhedshensyn og for at forlænge værktøjets levetid. Undlad at overskride det anbefalede maksimale driftstryk på 2,26 MPa (22,6 bar). Værktøjet må ikke slutes til en kilde, hvis tryk kan overskride 3,39 MPa (33,9 bar).
 - Sørg for, at det tryk, som luftkompressorsystemet leverer, ikke overskrider værktøjets maksimalt tilladte tryk. Indstil først lufttrykket til den laveste værdi for det anbefalede tilladte tryk (se under SPECIFIKATIONER).
 - Brug aldrig værktøjet sammen med andet end komprimeret luft. Hvis der benyttes flaskegas (kuldioxid, ilt, nitrogen, brint, luft osv.) eller brændbar gas (brint, propan, acetylen osv.) som drivmiddel til værktøjet, kan værktøjet eksplodere og forårsage alvorlig personskade.
 - Kontroller altid værktøjets generelle tilstand, og se efter løse skruer før brugen. Stram til efter behov.
 - Sørg for, at alle sikkerhedssystemer fungerer, før anvendelsen. Værktøjet må ikke fungere, hvis der kun trækkes i aftrækkeren, eller kun hvis kontakttarmen trykkes mod træet. Det må kun fungere, når begge disse handlinger udføres. Kontroller for eventuel fejlfunktion uden hæftelammer i værktøjet og med trykanordningen i fuldt indtrykket position.
 - Kontroller vægge, lofter, gulve, tage og lignende omhyggeligt for at undgå risiko for elektrisk stød, gasudslivning, eksplosioner osv. ved at ramme strømførende ledninger, vandledninger eller gasrør.
 - Brug kun de hæftelammer, der er angivet i denne brugsanvisning. Brug af andre hæftelammer kan beskadige værktøjet.
 - Anvend aldrig søm-/hæftepistoler, der er mærket med symbolet "Må ikke anvendes på stilladser, stiger" til bestemte formål, f.eks.:
 - Ved skift fra et arbejdssted til et andet, der involverer brug af stilladser, trapper, stiger eller stigelignende konstruktioner som f.eks. taglægter.
 - Lukning af kasser eller tremmekasser.
 - Montering af transportsikkerhedssystemer, f.eks. på biler og vogne.
 - Lad ikke uøvede personer benytte værktøjet.
 - Sørg for, at der ikke er andre i nærheden, før værktøjet anvendes. Forsøg aldrig at slå hæftelammer i indefra og udefra på samme tid, eftersom hæftelammer kan gå helt igennem og/eller flyve væk, hvilket udgør en alvorlig fare.
 - Vær opmærksom på fodfæstet, og hold balancen med værktøjet. Sørg for, at der ikke er nogen under dig, når du arbejder på højtliggende steder, og fastgør luftslangen for at forebygge farlige situationer i tilfælde af pludselige ryk eller ved fastklæmning.
 - På tage og andre højtliggende steder skal du slå hæftelammer i, efterhånden som du bevæger dig fremad. Du risikerer at miste fodfæstet, hvis du slår hæftelammer i, mens du går baglæns. Når du slår hæftelammer i lodrette overflader, skal du starte oppefra og arbejde nedefter. På denne måde kan du arbejde uden at blive træt.
 - En hæftelamme kan blive bøjet eller sidde fast i værktøjet, hvis du ved en fejltagelse slår en hæftelamme oven i en anden hæftelamme eller rammer en knast i træet. Hæftelammen kan blive slynget ud og ramme andre personer, eller selve værktøjet kan reagere på en farlig måde. Vær omhyggelig med placeringen af hæftelammerne.
 - Undlad at lade værktøjet med hæftelammer eller luftkompressoren under tryk ligge i solen i længere tid. Sørg for, at støv, sand, spåner og fremmedlegemer ikke kan komme ind i værktøjet på det sted, du efterlader det.
 - Ret ikke udstødsporten mod personer i nærheden. Hold hånder og fødder borte fra området omkring udstødsporten.
 - Undlad at bære værktøjet med fingeren på afbryderkontakten eller at række det til andre i denne tilstand, når luftslangen er tilsluttet. Utilsigtet affyring af hæftelammer kan være ekstremt farlig.
 - Hånder værktøjet forsigtigt, da der er højtryk inde i værktøjet, som kan være farlig, hvis hårdhændet behandling (stød eller slag) forårsager revner. Forsøg ikke at snitte eller gravere i værktøjet.
 - Stop arbejdet øjeblikkeligt, hvis du bemærker fejlfunktion eller noget unormalt ved værktøjet.
 - Tag altid luftslangen ud, og fjern alle hæftelammerne:
 - (9) Når værktøjet efterlades uden opsyn.

- (10) Før du udfører vedligeholdelse eller reparation.
- (11) Før du fjerner fastklemt hæfteklammer.
- (12) Før værktøjet transporteres til et andet sted.
- Udfør rengøring og vedligeholdelse, umiddelbart efter at du er færdig med arbejdet. Hold værktøjet i perfekt stand. Smør bevægelige dele før at forebygge rust og slid som følge af friktion. Tør alt støv bort fra delene.
- Undlad at ændre værktøjet uden godkendelse fra Makita.
- Bed Makitas autoriserede servicecentre om at udføre regelmæssigt eftersyn af værktøjet.
- For at holde produktet SIKKERT og PÅLIDELIGT skal vedligeholdelse udføres af autoriserede Makita-servicecentre, og der skal benyttes Makita-reservedele.
- Brug kun olie til trykluftsværktøj, der er angivet i denne brugsanvisning.
- Slut aldrig værktøjet til en luftkompressionsledning, hvis værktøjets maksimalt tilladte tryk ikke må overstiges med 10 %. Sørg for, at det tryk, som luftkompressorsystemet leverer, ikke overskrider værktøjets maksimalt tilladte tryk. Indstil først lufttrykket til den laveste værdi for det anbefalede tilladte tryk.
- Forsøg ikke at holde afbryderkontakten nede ved hjælp af tape eller ståltråd. Det kan afstedkomme dødsfald eller alvorlig personskade.
- Kontroller altid kontaktelelementer som anvist i denne brugsanvisning. Hæfteklammer kan affyres utilsigtet, hvis sikkerhedsmekanismen ikke fungerer korrekt.

GEM DISSE INSTRUKTIONER.

Inden brug

ADVARSEL:

- Brug aldrig værktøjet hvis kontaktelelementet ikke fungerer ordentligt.

Dette værktøj fungerer kun når kontaktelelementet er placeret på arbejdsemnet og afbryderkontakten trækkes tilbage med kontaktelelementet i indtrykket tilstand. Inden brug skal du sørge for at kontaktelelementet fungerer ved at kontrollere i henhold til følgende procedure.

1. Inden kontrollen skal du sørge for, at der ikke er sat hæfteklammer ind i værktøjet.
2. Slut luftslangen til værktøjet.
3. Først skal du kun trykke på afbryderkontakten. Slip derefter afbryderkontakten og placer kontaktelelementet mod arbejdsemnet. (Fig. 2 og 3)
4. Hvis værktøjet fungerer i proceduren ovenfor, fungerer kontaktelelementet ikke ordentligt.

MONTERING

Valg af kompressor (Fig. 4)

Luftkompressoren skal overholde kravene i EN60335-2-34.

Vælg en kompressor med tilstrækkeligt tryk og luftudgang til at sikre en effektiv drift. Grafen viser forholdet mellem klammefrekvens, anvendt tryk og kompressorens luftudgang.

Hvis hæfteklammerne f.eks. slås i med en hastighed på cirka 60 gange i minuttet ved en kompression på 1,77 MPa (17,7 bar), skal der anvendes en kompressor med en luftudgang på mere end 40 liter/min.

Der skal benyttes trykregulatorer til at begrænse lufttrykket til værktøjets nominelle tryk, hvis luftforsyningens tryk overskrider værktøjets nominelle tryk. Undladelse af dette kan medføre alvorlig personskade på operatøren eller personer i nærheden.

Valg af luftslange (Fig. 5)

Brug en luftslange der kan klare højt tryk.

Anvend en luftslange, der er så tyk og så kort som muligt, for at sikre en konstant og effektiv isætning af hæfteklammer.

FORSIGTIG:

- En for lav luftudgang fra kompressoren eller en for lang og tynd luftslange i forhold til klammefrekvensen kan reducere værktøjets drivkapacitet.

Smøring (Fig. 6)

For at sikre maksimal ydelse skal der monteres et luftsæt (smørenippel, regulator, luftfilter) så tæt på værktøjet som muligt.

Juster smøreniplen, så der tilføres en dråbe olie for hver 50 klammer.

Hvis der ikke anvendes et luftsæt, skal du smøre værktøjet med olie til lufttrykværktøj ved at tilføre 2 (to) eller 3 (tre) dråber i lufttilslutningen. Gør dette før og efter brugen. For at sikre korrekt smøring skal værktøjet affyres nogle gange, efter at olien til lufttryksværktøj er tilført. (Fig. 7)

FUNKTIONSBESKRIVELSE

FORSIGTIG:

- Tag altid slangen ud, før værktøjet justeres, eller dets funktionsevne tjekkes.

Justering af klammedybden

FORSIGTIG:

- Tag altid slangen ud, før klammedybden af justeres.

(Fig. 8 og 9)

Hvis hæfteklammerne skydes for dybt i, skal justeringsenheden justeres med uret. Hvis hæfteklammerne ikke skydes dybt nok i, skal justeringsenheden justeres mod uret.

Justeringsområdet er 0 - 3 mm. (En drejning giver en justering på 0,8 mm.)

Krog

FORSIGTIG:

- Frakobl altid slangen når du hænger værktøjet i krogen.
- Hæng aldrig værktøjet i et bælte eller lignende. Der er risiko for farlig utilsigtet aktivering af værktøjet. (Fig. 10)

Krogen er praktisk til midlertidigt at hænge værktøjet i. Positionen af krogen kan ændres.

Når du ændrer monteringspositionen, skal du fjerne skruen med en skruetrækker. Monter krogen på den ønskede position og fastgør den med skruen.

Flad spidsadapter

FORSIGTIG:

- Frakobl altid slangen før montering eller afmontering af den flade spidsadapter. (Fig. 11)

Monter den flade spidsadapter på kontaktelelementet inden isætning af hæfteklammer på et fladt arbejdsemne. For at montere spidsadapteren på kontaktelelementet skal du trykke det ind på kontaktelelementet, indtil fremspringet inde i spidsadapteren passer ind i rillen på kontaktelelementet.

MONTERING

FORSIGTIG:

- Frakobl altid slangen, før der udføres arbejde på værktøjet.

Isætning af hæfteklammer

FORSIGTIG:

- Frakobl altid slangen, inden der isættes eller fjernes hæfteklammer fra værktøjet.
- Anvend ikke hæfteklammer eller striber med hæfteklammer, som er deformerede. Undladelse af dette medfører en dårlig klammefremføring.
- Brug altid de hæfteklammer, der er angivet i denne brugsanvisning. Undladelse af dette medfører en dårlig klammefremføring.
- Returner altid stille og roligt trykanordningen, mens du holder den med en hånd.
- Hvis trykanordningens base returneres, mens der trykkes på trykanordningen, kan der ikke isættes hæfteklammer. Tryk ikke på trykanordningen under isætning af befæstelselementer. (Fig. 12)

Indsæt en stribe hæfteklammer i spalten bagerst i magasinet, indtil den når forbi hæfteklammestopperen. Værktøjet kan klare en stribe hæfteklammer (84 stk.) (Fig. 13)

Træk trykanordningens base tilbage bagerst i magasinet og lad den stille og roligt vende tilbage til den oprindelige position.

Udtagning af hæfteklammer (Fig. 14)

Hold værktøjet sådan at magasinets bagende vender nedad.

Træk en lille smule i trykanordningens base og tryk på trykanordningen fra begge sider og frigør hæfteklammerne. Returner stille og roligt trykanordningens base.

Tryk på hæfteklammestopperen og tag derefter hæfteklammerne ud bag fra magasinet.

Tilslutning af luftslange

Anbring luftbøsningen på luftslangen over lufttilslutningen på hæftepistolen. Sørg for, at luftbøsningen låses fast på plads, når den monteres på lufttilslutningen. Der skal være monteret en slangekobling på eller i nærheden af værktøjet på en sådan måde, at trykreservoiret forsvinder, når luftforsyningskoblingen tages ud af forbindelse.

BETJENING

FORSIGTIG:

- Sørg for, at alle sikkerhedssystemer fungerer, før anvendelsen.
1. For at slå en hæfteklamme i skal du placere kontaktelelementet mod arbejdsemnet og aktivere afbryderkontakten, eller (Fig. 15 og 16)

2. Aktiver afbryderkontakten først og placer derefter kontaktelelementet mod arbejdsemnet.
- Metode nr. 1 er til ikke-kontinuerlig islåning af hæfteklammer, når du ønsker at slå en hæfteklamme omhyggeligt og meget nøjagtigt i.
 - Metode nr. 2 er til kontinuerlig islåning af hæfteklammer.

FORSIGTIG:

- Men hvis værktøjet er indstillet til "ikke-kontinuerlig islåning af hæfteklammer", og AFBRYDERKONTAKTEN HOLDES HALVT NEDE, kan der forekomme uventet islåning af hæfteklammer, hvis kontaktelelementet kommer i kontakt med arbejdsemnet eller en anden overflade igen på grund af tilbageslaget. Gør følgende for at undgå uventet islåning af hæfteklammer:
 - A. Undlad at trykke kontaktelelementet for hårdt mod arbejdsemnet.
 - B. Træk afbryderkontakten helt tilbage, og hold den i 1-2 sekunder efter islåning af en hæfteklamme.
- For metode nr. (1) skal skiftearmen sættes i Δ -positionen. For metode nr. (2) skal skiftearmen sættes i Δ -positionen. Efter du har anvendt skiftearmen til at skifte metoden til islåning af hæfteklammer, skal du altid sikre dig, at skiftearmen er stillet i den rigtige position til den ønskede metode til hæfteklamme-islåning. (Fig. 17 og 18)

Gulvbelægning

FORSIGTIG:

- Hvis værktøjet holdes for skævt, er der tendens til, at overfladen på arbejdsemnets buler ud. Holdes det for lodret, er der tendens til, at det kan forårsage brud på arbejdsemnet.
 - Udbuling eller brud på stedet for islåningen af hæfteklammen på arbejdsemnet kan forekomme i mange situationer under islåning af hæfteklammer, selv når islåningen foretages med værktøjet holdt i den angivne vinkel. Lav nogle test inden du går i gang med den egentlige islåning af hæfteklammer. (Fig. 19)
- Når det er nødvendigt at slå hæfteklammerne præcist i, som fx ved gulvbelægning, skal du bruge "ikke-kontinuerlig islåning af hæfteklammer". Under arbejdet holdes værktøjet i en skæv vinkel på 50° - 55°, som vist på figuren.

Mekanisme til forhindring af affyring uden hæfteklammer

Dette er en mekanisme til at forhindre at værktøjet affyres uden hæfteklammer.

Mekanismen til forhindring af affyring uden hæfteklammer indstilles automatisk, når der kun er 5-7 hæfteklammer tilbage.

Retning af udsugningsluft (Fig. 20)

Retningen af udsugningsluften kan ændres i 360 graders vinkel ved at dreje udsugningsdækslet med en hånd.

Fjernelse af fastklemte hæfteklammer

ADVARSEL:

• Frakobl altid slangen, før der udtages hæfteklammer. Tag hæfteklammerne ud fra magasinet. (Se afsnittet "Udtagning af hæfteklammer".) (Fig. 21)

Tag unbrakonøglen ud fra holderen inde i magasindækslet ved at skubbe på den forfra. (Fig. 22) Fjern de to skruer der fastgør kontaktoppen med unbrakonøglen.

Hæfteklamme-fremføringsstyret kommer frem og løser problemet.

Hvis du stadig ikke er i stand til at fjerne de fastklemte befæstelseselementer, skal du fjerne yderligere to skruer, der fastgør frontstyret, med unbrakonøglen for at løse problemet.

VEDLIGEHODELSE

FORSIGTIG:

• Tag altid luftslangen ud af værktøjet, før du forsøger at udføre inspektion eller vedligeholdelse.

Vedligeholdelse af hæftepistolen

Kontroller altid værktøjets generelle tilstand, og se efter løse skruer før brugen. Stram til efter behov.

Udfør daglig inspektion med værktøjet taget ud af forbindelse for at sikre dig, at kontaktelelementet og afbryderkontakten kan bevæge sig frit. Undlad at bruge værktøjet, hvis kontaktelelementet eller afbryderkontakten klemmer eller binder.

Tøm værktøjet (Fig. 23)

Fjern slangen fra værktøjet. Placer værktøjet sådan at lufttilslutningen vender nedad mod gulvet. Tøm værktøjet så meget som muligt.

Rengøring af værktøjet

Jernstøv, som sætter sig fast på magneten, kan blæses af ved hjælp af trykluft.

Hætte

Fjern slangen når værktøjet ikke er i brug. Luk derefter lufttilslutningen med hættten. (Fig. 24)

Opbevaring

Når hæftepistolen ikke er i brug, skal den opbevares på et varmt og tørt sted.

Vedligeholdelse af kompressor, luftsæt og luftslange (Fig. 25 og 26)

Efter brugen skal du altid tømme kompressortanken og luftfilteret ud. Hvis der trænger fugt ind i værktøjet, kan det medføre dårlig ydelse og risiko for fejlfunktion. Kontroller regelmæssigt, om der er tilstrækkelig trykluftsolie i smøreniplen på luftsættet. Forsømmelse af tilstrækkelig smøring vil bevirke, at O-ringene hurtigt nedslides. (Fig. 27)

Udsæt ikke luftslangen for varme (over 60 °C) eller for kemikalier (fortynder, stærke syrer eller baser). Sørg også for at føre luftslangen uden om forhindringer, hvor den kan komme i klemme under brugen.

Slanger skal desuden holdes borte fra skarpe kanter og områder, der kan medføre beskadigelse eller slid på slangen. (Fig. 28)

For at holde produktet SIKKERT og PÅLIDELIGT skal reparationer samt al anden vedligeholdelse eller justering udføres af autoriserede Makita-servicecentre, og der skal altid benyttes Makita-reservedele.

TILBEHØR

FORSIGTIG:

• Dette tilbehør eller ekstraudstyr anbefales til brug med det Makita-værktøj, som er beskrevet i denne brugsanvisning. Brug af andet tilbehør eller ekstraudstyr kan forårsage personskade. Brug kun tilbehør eller ekstraudstyr til det formål, det er beregnet til.

Henvend dig til dit lokale Makita-servicecenter, hvis du har brug for hjælp eller yderligere oplysninger vedrørende tilbehøret.

- Klammer
- Luftslinger
- Sikkerhedsbriller

Kun for lande i Europa

ENG045-2

Støj og Vibration

De typiske A-vægtede støjniveauer er

lydtrykniveau: 80 dB (A)

lydkraftniveau: 93 dB (A).

Bær høreværn.

Den typiske vægtede effektive accelerationsværdi er ikke over 2,5 m/s².

Usikkerhed (K): 1,5 m/s².

Disse værdier er målt i overensstemmelse med EN792.

EC-ERKLÆRING VEDRØRENDE OVERHODELSE AF STANDARDSER

ENH013-7

Model; AT450H

Vi erklærer og tager det fulde ansvar for, at produktet overholder følgende standarder i de standardiserede dokumenter:

EN792 i overensstemmelse med Rådets direktiver 98/37/EU.

CE 2008



Tomoyasu Kato
Direktør

Ansvarlig producent:

Makita Corporation

3-11-8, Sumiyoshi-cho, Anjo, Aichi, JAPAN

Autoriseret repræsentant i Europa:

Makita International Europe Ltd.

Michigan Drive, Tongwell, Milton Keynes, Bucks MK15 8JD, ENGLAND

Γενική περιγραφή

1. Γυαλιά προστασίας	12. Ίδιο επίπεδο	24. Άνοιγμα εξόδου αέρα
2. Προσωπίδα	13. Πολύ ρηχά	25. Εξαγωνικό άλεν
3. Στοιχείο επαφής	14. Βίδα	26. Μπροστινός οδηγός
4. Σκανδάλη	15. Γάντζος	27. Άνω τμήμα επαφής
5. Τεμάχιο εργασίας	16. Εγκοπή	28. Κρουσός αποστράγγισης
6. Έξοδος αέρα συμπίεστη ανά λεπτό	17. Προεξοχή	29. Φίλτρο αέρα
7. Συχνότητα συρραφής	18. Προσαρμογέας επίπεδης μύτης	30. Λιπαντήρας
8. Ρυθμιστής	19. Αναστολέας συνδετήρων	31. Λάδι για εργαλεία πεπιεσμένου αέρα
9. Βαθιά	20. Βάση ωθητή	32. Διαλύτης
10. Ρηχά	21. Ωθητής	33. Θερμάστρα
11. Πολύ βαθιά	22. Μοχλός αλλαγής	
	23. Κάλυμμα εξόδου	

ΠΡΟΔΙΑΓΡΑΦΕΣ

Μοντέλο	AT450H
Πίεση αέρα	1,28 - 2,26 Μπα (12,8 - 22,6 bar)
Εφαρμοστέοι συνδετήρες	25 mm - 50 mm
Χωρητικότητα συνδετήρων	84 τεμ. (1 σειρά), μεγ. 105 τεμ.
Ελάχιστη διάμετρος σωλήνα	5,0 mm
Διαστάσεις (Μ Χ Υ Χ Π)	261 mm Χ 115 mm Χ 269 mm
Καθαρό βάρος	1,4 kg

- Λόγω του συνεχόμενου προγράμματος που εφαρμόζουμε για έρευνα και ανάπτυξη, τα τεχνικά χαρακτηριστικά στο παρόν έντυπο υπόκεινται σε αλλαγή χωρίς προειδοποίηση.
- Σημείωση: Τα τεχνικά χαρακτηριστικά ενδέχεται να διαφέρουν ανάλογα με τη χώρα.

Σύμβολα

Παρακάτω παρουσιάζονται τα σύμβολα που χρησιμοποιούνται για τον εξοπλισμό. Βεβαιωθείτε ότι κατανοείτε τη σημασία τους πριν από τη χρήση.



..... Διαβάστε το εγχειρίδιο οδηγιών.



..... Να φοράτε γυαλιά προστασίας.



..... Μη το χρησιμοποιείτε σε σκαλωσιές ή σκάλες.

END106-2

ΔΙΑΒΑΣΤΕ ΟΛΕΣ ΤΙΣ ΟΔΗΓΙΕΣ.

- Για την προσωπική ασφάλεια και τη σωστή λειτουργία και συντήρηση του εργαλείου, διαβάστε αυτό το εγχειρίδιο οδηγιών πριν χρησιμοποιήσετε το εργαλείο.
- Να φοράτε πάντοτε γυαλιά προστασίας για να προστατεύετε τα μάτια σας από τραυματισμό λόγω σκόνης ή συνδετήρων.

ΠΡΟΕΙΔΟΠΟΙΗΣΗ:

Ο εργοδότης έχει την ευθύνη να επιβάλλει τη χρήση προστατευτικού εξοπλισμού για τα μάτια από τους χειριστές του εργαλείου και τα άλλα άτομα που βρίσκονται στην άμεση περιοχή εργασίας.

- Για την Αυστραλία και τη Νέα Ζηλανδία μόνο
Να φοράτε πάντοτε γυαλιά προστασίας και προσωπίδα για να προστατεύετε τα μάτια σας από τραυματισμό λόγω σκόνης ή συνδετήρων. Τα γυαλιά προστασίας και η προσωπίδα θα πρέπει να συμμορφώνονται με τις απαιτήσεις AS/NZS 1336.

ΠΡΟΕΙΔΟΠΟΙΗΣΗ:

Ο εργοδότης έχει την ευθύνη να επιβάλλει τη χρήση προστατευτικού εξοπλισμού για τα μάτια από τους χειριστές του εργαλείου και τα άλλα άτομα που βρίσκονται στην άμεση περιοχή εργασίας. **(Εικ. 1)**

- Να φοράτε υποασπίδες για να προστατεύετε τα αυτιά σας από το θόρυβο της εξάτμισης, καθώς και προστατευτικό κεφαλής. Επίσης, να φοράτε ελαφρά, αλλά όχι φαρδιά ρούχα. Τα μανίκια πρέπει να είναι κουμπωμένα ή ανεβασμένα. Δεν πρέπει να φοράτε γραβάτα.
- Είναι επικίνδυνο να εργάζεστε με βιασύνη ή να ασκείτε δύναμη στο εργαλείο. Να χειρίζεστε το εργαλείο

Προοριζόμενη χρήση

Το εργαλείο προορίζεται για την πίεση συνδετήρων σε υλικά κατασκευής όπως κορμούς.

ENE054-1

**ΣΗΜΑΝΤΙΚΕΣ ΟΔΗΓΙΕΣ
ΑΣΦΑΛΕΙΑΣ**

ENB112-1

ΠΡΟΕΙΔΟΠΟΙΗΣΗ: ΟΤΑΝ ΧΡΗΣΙΜΟΠΟΙΕΙΤΕ ΑΥΤΟ ΤΟ ΕΡΓΑΛΕΙΟ, ΠΑΝΤΟΤΕ ΠΡΕΠΕΙ ΝΑ ΑΚΟΛΟΥΘΕΙΤΕ ΟΛΕΣ ΤΙΣ ΒΑΣΙΚΕΣ ΠΡΟΦΥΛΑΞΕΙΣ ΓΙΑ ΤΗΝ ΑΣΦΑΛΕΙΑ ΓΙΑ ΝΑ ΜΕΙΩΣΕΤΕ ΤΟΝ ΚΙΝΔΥΝΟ ΠΡΟΣΩΠΙΚΟΥ ΤΡΑΥΜΑΤΙΣΜΟΥ, ΣΥΜΠΕΡΙΛΑΜΒΑΝΟΜΕΝΩΝ ΤΩΝ ΠΑΡΑΚΑΤΩ:

- προσεχτικά. Μη θέτετε το εργαλείο σε λειτουργία όταν βρίσκεται υπό την επήρεια αλκοόλ, φαρμάκων ή παρόμοιων ουσιών.
- Γενικές Οδηγίες Για Το Χειρισμό Του Εργαλείου:
 - (1) Να θεωρείτε πάντοτε ότι το εργαλείο περιέχει συνδετήρες.
 - (2) Μη στρέψετε το εργαλείο προς το μέρος σας ή προς οποιονδήποτε άλλον, ανεξάρτητα αν περιέχει συνδετήρες ή όχι.
 - (3) Μην ενεργοποιείτε το εργαλείο εκτός αν βρίσκεται τοποθετημένο σταθερά επάνω στο τεμάχιο εργασίας.
 - (4) Να παίρνετε το εργαλείο στα σοβαρά κατά την εκτέλεση της εργασίας.
 - (5) Μην αστειεύεστε με το εργαλείο.
 - (6) Μην κρατάτε και μη μεταφέρετε το εργαλείο με το δάκτυλό σας στη σκανδάλη.
 - (7) Μη γεμίζετε το εργαλείο με συνδετήρες όταν είναι ενεργοποιημένο κάποιο από τα χειριστήρια λειτουργίας.
 - (8) Μη θέτετε το εργαλείο σε λειτουργία με οποιαδήποτε πηγή ενέργειας εκτός από εκείνη που καθορίζεται στις οδηγίες λειτουργίας/ασφάλειας του εργαλείου.
 - Μη χρησιμοποιείτε κάποιο εργαλείο που δεν λειτουργεί σωστά.
 - Μερικές φορές πετάνονται σπινθήρες κατά τη χρήση του εργαλείου. Μη χρησιμοποιείτε το εργαλείο κοντά σε πτητικά, εύφλεκτα υλικά όπως βενζίνη, νέφτι, μπιγιά, γκάζι, κόλλα, κλπ. Θα αναφλεγούν και θα εκραγούν με αποτέλεσμα το σοβαρό τραυματισμό.
 - Η περιοχή πρέπει να είναι επαρκώς φωτισμένη για να υπάρχει ασφάλεια στην εργασία. Η περιοχή πρέπει να είναι καθαρή και χωρίς απορρίμματα. Να είστε ιδιαίτερα προσεχτικοί και να στέκεστε σταθερά και ισορροπημένα.
 - Μόνο οι εργαζόμενοι πρέπει να βρίσκονται στην περιοχή εργασίας. Ιδιαίτερα τα παιδιά ποτέ δεν πρέπει να πλησιάζουν.
 - Ενδεχομένως να υπάρχουν τοπικοί κανονισμοί που αφορούν το θόρυβο και στους οποίους πρέπει να συμμορφώνεστε διατηρώντας τη στάθμη θορύβου εντός των προδιαγραφόμενων ορίων. Σε ειδικές περιπτώσεις πρέπει να χρησιμοποιούνται παραπετάσματα για τον περιορισμό του θορύβου.
 - Μην παίζετε με το στοιχείο επαφής: Αυτό εμποδίζει την τυχαία εκκρότηση, για το λόγο αυτό πρέπει να παραμείνει πάντοτε στη θέση του και να μην αφαιρείται. Είναι επίσης πολύ επικίνδυνο να ασφαλίσετε τη σκανδάλη στην ανοικτή θέση (ON). Ποτέ μην επιχειρήσετε να ασφαλίσετε τη σκανδάλη. Μη θέσετε το εργαλείο σε λειτουργία αν οποιοδήποτε τμήμα των χειριστηρίων λειτουργίας είναι χαλασμένο, αποσυνδεδεμένο, τροποποιημένο ή δεν λειτουργεί σωστά.
 - Να θέτετε το εργαλείο σε λειτουργία εντός των καθορισμένων ορίων πίεσης αέρα των 1,28 - 2,26 MPa (12,8 - 22,6 bar) για ασφάλεια και μακρύτερη ζωή του εργαλείου. Μην υπερβαίνετε τη συνιστώμενη μέγιστη πίεση λειτουργίας των 2,26 MPa (22,6 bar). Το εργαλείο δεν πρέπει να συνδέεται σε πηγή ή οποιας η πίεση πιθανόν να υπερβαίνει τα 3,39 MPa (33,9 bar).
 - Βεβαιωθείτε ότι η παρεχόμενη πίεση από το σύστημα πεπιεσμένου αέρα δεν υπερβαίνει τη μέγιστη επιτρεπόμενη πίεση του συρραπτικού εργαλείου. Ρυθμίστε αρχικά την πίεση αέρα στη χαμηλότερη τιμή της συνιστώμενης επιτρεπόμενης πίεσης (βλ. ΠΡΟΔΙΑΓΡΑΦΕΣ).
 - Μη χρησιμοποιείτε ποτέ το εργαλείο με ο,τιδήποτε άλλο εκτός από πεπιεσμένο αέρα. Αν χρησιμοποιηθεί εμφιαλωμένο αέριο (διοξείδιο άνθρακα, οξυγόνο, άζωτο, υδρογόνο, αέρα, κτλ.) ή εύφλεκτο αέριο (υδρογόνο, προπάνιο, ακετυλένιο, κτλ.) ως πηγή ενέργειας για το εργαλείο αυτό, το εργαλείο θα εκραγεί και θα προκληθεί σοβαρός τραυματισμός.
 - Πριν από τη λειτουργία, να ελέγχετε πάντοτε τη γενική κατάσταση του εργαλείου, αλλά και αν οι βίδες είναι χαλαρές. Σφίξτε όπως απαιτείται.
 - Βεβαιωθείτε ότι όλα τα συστήματα ασφάλειας βρίσκονται σε καλή κατάσταση πριν από τη λειτουργία. Το εργαλείο δεν πρέπει να λειτουργεί αν πιεστεί μόνο η σκανδάλη ή αν πατηθεί μόνο ο βραχιόνιος επαφής επάνω στο ζύλο. Πρέπει να λειτουργεί μόνο όταν εκτελούνται και οι δύο ενέργειες. Δοκιμάστε για πιθανή ελαττωματική λειτουργία όταν το εργαλείο δεν είναι γεμάτο με συνδετήρες και ο ωθητής βρίσκεται στην πλήρως τραβηγμένη θέση.
 - Να ελέγχετε προσεχτικά τους τοίχους, τις οροφές, τα πατώματα, τις στέγες και παρόμοιες κατασκευές για να αποφεύγετε την πιθανή ηλεκτροπληξία, διαρροή αερίου, εκρήξεις, κτλ. που προκαλούνται από κτυπήματα ηλεκτροφόρων καλωδίων, αγωγών ή σωλήνων αερίων.
 - Να χρησιμοποιείτε μόνο συνδετήρες που καθορίζονται στο εγχειρίδιο αυτό. Αν χρησιμοποιήσετε άλλους συνδετήρες, μπορεί να προκληθεί δυσλειτουργία του εργαλείου.
 - Ποτέ μη χρησιμοποιήσετε καρφωτικά εργαλεία που φέρουν την ένδειξη «Μη χρησιμοποιείτε σε σκαλωσιές, σκάλες, κτλ.» για ειδικές εφαρμογές όπως για παράδειγμα:
 - κατά την αλλαγή από μια τοποθεσία καρφώματος σε μια άλλη χρησιμοποιούνται σκαλωσιές, σκαλοπάτια, σκάλες ή άλλες παρόμοιες κατασκευές, π.χ. σανίδες σκέπης,
 - κατά το κλείσιμο κιβωτιών ή τελάρων,
 - κατά την εφαρμογή συστημάτων ασφάλειας μεταφορών π.χ. σε οχήματα και βαγόνια.
 - Μην επιτρέπτε σε ανειδίκευτα άτομα να χρησιμοποιούν το εργαλείο.
 - Να βεβαιώνετε ότι δεν βρίσκεται κανένας κοντά πριν από τη συρραφή. Ποτέ να μην προσπαθήσετε να συρράψετε ταυτόχρονα εσωτερικά και εξωτερικά. Οι συνδετήρες μπορεί να αποσχιστούν και/ή να πεταχτούν προκαλώντας ένα σοβαρό κίνδυνο.
 - Να προσέχετε ώστε να στέκεστε καλά και να διατηρείτε την ισορροπία σας όταν χρησιμοποιείτε το εργαλείο. Να βεβαιώνετε ότι δεν υπάρχει κανείς από κάτω όταν εργάζεστε σε υψηλές τοποθεσίες και να ασφαλίστε τον εύκαμπτο σωλήνα αέρα για να αποφεύγετε τον κίνδυνο σε περίπτωση που συμβεί απότομο τσίγκωμα ή πιάσιμο.
 - Σε σκεπές και άλλες υψηλές τοποθεσίες, να συρράψετε καθώς κινείστε προς τα μπροστά. Είναι εύκολο να χάσετε την ισορροπία σας αν συρράψετε καθώς κινείστε προς τα πίσω. Όταν συρράψετε σε κατακόρυφη επιφάνεια, να συρράψετε από την κορυφή προς τα κάτω. Με τον τρόπο αυτό, μπορείτε να εκτελέτε εργασίες συρραφής με λιγότερη κόπωση.

- Αν από λάθος συρράψετε ένα συνδετήρα επάνω σε ένα άλλο ή χτυπήσετε ρόζο στο ξύλο, ο συνδετήρας θα στραβώσει ή το εργαλείο θα πάθει εμπλοκή. Ο συνδετήρας μπορεί να εκτιναχθεί και να χτυπήσει κάποιον ή το ίδιο το εργαλείο μπορεί να αντιδράσει επικίνδυνα. Τοποθετήστε τους συνδετήρες με προσοχή.
- Μην αφήνετε το φορτωμένο εργαλείο ή τον συμπιεστή αέρα υπό πίεση για μεγάλο χρονικό διάστημα έξω στον ήλιο. Να βεβαιώνετε ότι δεν εισέρχονται στο εργαλείο σκόνη, άμμος, τεμαχίδια ή ξένη ύλη στη θέση όπου το αφήνετε.
- Μη στρέψετε τη θύρα εκτίναξης προς οποιοδήποτε άτομο βρίσκεται κοντά. Να κρατάτε τα χέρια και τα πόδια σας μακριά από την περιοχή της θύρας εκτίναξης.
- Όταν είναι συνδεδεμένος ο σωλήνας αέρα, μη μεταφέρετε το εργαλείο και μην το δίνετε σε κάποιον άλλον ενώ το δακτύλο σας βρίσκεται στη σκανδάλη. Η τυχαία εκπυροσκόρτηση μπορεί να είναι εξαιρετικά επικίνδυνη.
- Να χειρίζεστε το εργαλείο προσεχτικά, επειδή υπάρχει υψηλή πίεση στο εσωτερικό του, που μπορεί να είναι επικίνδυνη αν προκληθεί ρωγμή από απρόσεχτο χειρισμό (πτώση ή χτύπημα). Μην προσπαθήσετε να κάνετε χαρακίες ή αλακώσεις στο εργαλείο.
- Σταματήστε αμέσως τις λειτουργίες συρραφής αν παρατηρήσετε ότι κάτι δεν πάει καλά ή είναι ασυνήθιστο για το εργαλείο.
- Να αποσυνδέετε πάντοτε τον εύκαμπτο σωλήνα αέρα και να αφαιρείτε όλους τους συνδετήρες:
 - (9) Όταν δεν προσέχει κανείς το εργαλείο.
 - (10) Πριν εκτελέσετε οποιαδήποτε εργασία συντήρησης ή επισκευής.
 - (11) Πριν αποκαταστήσετε κάποια εμπλοκή.
 - (12) Πριν μετακινήσετε το εργαλείο σε νέα τοποθεσία.
- Να εκτελείτε καθαρισμό και συντήρηση του εργαλείου αμέσως μόλις ολοκληρώσετε την εργασία. Να διατηρείτε το εργαλείο σε άριστη κατάσταση. Να λιπαίνετε τα κινούμενα μέρη για να αποφεύγετε την οξείδωση (σκουριάσμα) και να ελαχιστοποιείτε τη φθορά από την τριβή. Σκουπίστε όλη τη σκόνη από τα μέρη του εργαλείου.
- Μην τροποποιείτε το εργαλείο χωρίς την έγκριση από τη Makita.
- Απευθυνθείτε στα εξουσιοδοτημένα κέντρα εξυπηρέτησης της Makita για τους περιοδικούς ελέγχους του εργαλείου.
- Για να διατηρείται η ΑΣΦΑΛΕΙΑ και η ΑΞΙΟΠΙΣΤΙΑ του προϊόντος, οι εργασίες συντήρησης και επισκευής θα πρέπει να εκτελούνται σε εξουσιοδοτημένα κέντρα εξυπηρέτησης της Makita, και πάντοτε με τη χρήση ανταλλακτικών της Makita.
- Να χρησιμοποιείτε μόνο λάδι για εργαλεία πεπιεσμένου αέρα που καθορίζεται στο εγχειρίδιο αυτό.
- Μη συνδέετε ποτέ το εργαλείο σε γραμμή πεπιεσμένου αέρα σε περιπτώσεις που η μέγιστη επιτρεπόμενη πίεση του εργαλείου ξεπεραστεί κατά 10%. Βεβαιωθείτε ότι η παρεχόμενη πίεση από το σύστημα πεπιεσμένου αέρα δεν υπερβαίνει τη μέγιστη επιτρεπόμενη πίεση του συρραφτικού εργαλείου. Αρχικά ρυθμίστε την πίεση του αέρα στη χαμηλότερη τιμή της επιτρεπόμενης πίεσης που συνιστάται.
- Μην προσπαθήσετε να κρατήσετε το στοιχείο επαφής της σκανδάλης πιεσμένο με ταίρια ή σύρμα. Μπορεί να προκληθεί θάνατος ή σοβαρός τραυματισμός.
- Να ελέγχετε πάντα το στοιχείο επαφής σύμφωνα με τις οδηγίες στο παρόν εγχειρίδιο. Μπορεί να πεταχτούν κατά λάθος συνδετήρες εάν δεν λειτουργεί σωστά ο μηχανισμός ασφάλειας.

ΦΥΛΑΞΤΕ ΑΥΤΕΣ ΤΙΣ ΟΔΗΓΙΕΣ.

Πριν από τη χρήση

ΠΡΟΕΙΔΟΠΟΙΗΣΗ:

- Ποτέ να μη χρησιμοποιείτε το εργαλείο όταν το στοιχείο επαφής δεν λειτουργεί κανονικά.

Το εργαλείο λειτουργεί μόνο όταν το στοιχείο επαφής βρίσκεται τοποθετημένο έναντι στο τεμάχιο εργασίας και η σκανδάλη τραβηχτεί με πιεσμένο το στοιχείο επαφής. Πριν από τη χρήση, βεβαιωθείτε ότι το στοιχείο επαφής λειτουργεί σωστά κάνοντας τον έλεγχο σύμφωνα με την παρακάτω διαδικασία.

1. Πριν από τον έλεγχο, βεβαιωθείτε ότι το εργαλείο δεν είναι φορτωμένο με συνδετήρες.
2. Συνδέστε τον εύκαμπτο σωλήνα αέρα στο εργαλείο.
3. Πρώτα τραβήξτε μόνο τη σκανδάλη. Στη συνέχεια ελευθερώστε το δάχτυλο από τη σκανδάλη και τοποθετήστε το στοιχείο επαφής επάνω στο τεμάχιο εργασίας. **(Εικ. 2 & 3)**
4. Εάν το εργαλείο λειτουργεί με την παραπάνω διαδικασία, το στοιχείο επαφής δεν λειτουργεί σωστά.

ΤΟΠΟΘΕΤΗΣΗ

Επιλογή συμπιεστή (Εικ. 4)

Ο συμπιεστής αέρα θα πρέπει να είναι εναρμονισμένος με τις απαιτήσεις της EN60335-2-34.

Επιλέξτε συμπιεστή που διαθέτει επαρκή πίεση και έξοδο αέρα ώστε να εξασφαλίζεται η οικονομική λειτουργία. Η γραφική παράσταση απεικονίζει τη σχέση μεταξύ της συχνότητας συρραφής, της ασκούμενης πίεσης και της εξόδου αέρα του συμπιεστή.

Συνεπώς, για παράδειγμα, αν η συρραφή λαμβάνει χώρα με ρυθμό περίπου 60 φορές το λεπτό με συμπίεση 1,77 MPa (17,7 bar), απαιτείται συμπιεστής με έξοδο αέρα υψηλότερη των 40 L/min.

Πρέπει να χρησιμοποιούνται ρυθμιστές πίεσης για να περιορίζουν την πίεση αέρα στην ονομαστική πίεση του εργαλείου σε περίπτωση που η πίεση παραδότης αέρα υπερβαίνει την ονομαστική πίεση του εργαλείου. Αν δεν τηρηθεί αυτή η οδηγία, μπορεί να προκληθεί σοβαρός τραυματισμός στον χειριστή του εργαλείου ή σε άτομα που βρίσκονται κοντά στην περιοχή εργασίας.

Επιλογή εύκαμπτου σωλήνα αέρα (Εικ. 5)

Χρησιμοποιήστε έναν εύκαμπτο σωλήνα αέρα που να αντέχει στις υψηλές πιέσεις.

Να χρησιμοποιείτε ένα εύκαμπτο σωλήνα αέρα όσο το δυνατόν πιο φαρδύ και όσο το δυνατόν πιο κοντό για να εξασφαλιστεί συνεχής, επαρκής λειτουργία συρραφής.

ΠΡΟΣΟΧΗ:

- Η χαμηλή έξοδος αέρα του συμπιεστή ή ο εύκαμπτος σωλήνας αέρα με μεγαλύτερο μήκος ή μικρότερη διάμετρο σε σχέση με τη συχνότητα συρραφής μπορεί

να προκαλέσει μείωση της ικανότητας συρραφής του εργαλείου.

Λίπανση (Εικ. 6)

Για να εξασφαλίζετε τη μέγιστη απόδοση, τοποθετήστε ένα σετ αέρα (λιπαντήρας, ρυθμιστής, φίλτρο αέρα) όσο το δυνατόν πιο κοντά στο εργαλείο.

Ρυθμίστε το λιπαντήρα έτσι ώστε να παρέχει μία σταγόνα λαδιού κάθε 50 συνδετήρες.

Όταν δεν χρησιμοποιείται σετ αέρα, να λιπαίνετε το εργαλείο με λάδι για εργαλεία πεπιεσμένου αέρα τοποθετώντας 2 (δύο) ή 3 (τρεις) σταγόνες στο προσάρτημα αέρα. Αυτό πρέπει να πραγματοποιείται πριν και μετά από τη χρήση. Για τη σωστή λίπανση, πρέπει να εκπιυροσκοτείτε το εργαλείο δύο-τρεις φορές μετά από την εισαγωγή του λαδιού για εργαλεία πεπιεσμένου αέρα. (Εικ. 7)

ΠΕΡΙΓΡΑΦΗ ΛΕΙΤΟΥΡΓΙΑΣ

ΠΡΟΣΟΧΗ:

- Να αποσυνδέετε πάντοτε τον εύκαμπτο σωλήνα πριν ρυθμίζετε ή ελέγχετε τη λειτουργία του εργαλείου.

Ρύθμιση βάθους συρραφής

ΠΡΟΣΟΧΗ:

- Να αποσυνδέετε πάντοτε τον εύκαμπτο σωλήνα πριν ρυθμίζετε το βάθος συρραφής. (Εικ. 8 & 9)

Εάν ένας συνδετήρας καρφωθεί πολύ βαθιά, στρέψτε το ρυθμιστή προς τα δεξιά. Εάν ένας συνδετήρας καρφωθεί πολύ ρηχά, στρέψτε το ρυθμιστή προς τα αριστερά. Το ρυθμιζόμενο εύρος είναι 0 - 3 mm. (Μια πλήρης περιστροφή επιφέρει μια ρύθμιση 0,8 mm.)

Γάντζος

ΠΡΟΣΟΧΗ:

- Πάντοτε να αποσυνδέετε τον εύκαμπτο σωλήνα όταν κρεμάτε το εργαλείο από τον γάντζο.
- Ποτέ να μην κρεμάτε το εργαλείο από μια ζώνη της μέσης ή κάτι παρόμοιο. Μπορεί να προκληθεί μια επικίνδυνη τραχιά εκπιυροσκόρηση. (Εικ. 10)

Ο γάντζος χρησιμεύει για το προσωρινό κρέμασμα του εργαλείου.

Η θέση του γάντζου μπορεί να αλλάξει.

Κατά την αλλαγή της θέσης τοποθέτησης, αφαιρέστε τη βίδα με ένα κατασβίδι. Τοποθετήστε το γάντζο στην επιθυμητή θέση και ασφαλίστε τον με τη βίδα.

Προσαρμογέας επίπεδης μύτης

ΠΡΟΣΟΧΗ:

- Να αποσυνδέετε πάντοτε τον εύκαμπτο σωλήνα πριν τοποθετήσετε ή αφαιρέσετε τον προσαρμογέα επίπεδης μύτης. (Εικ. 11)

Πριν από την συρραφή πάνω σε μια επίπεδη επιφάνεια του αντικειμένου εργασίας, συνδέστε τον προσαρμογέα επίπεδης μύτης πάνω στο στοιχείο επαφής.

Για την σύνδεση του προσαρμογέα της μύτης στο στοιχείο επαφής, πιέστε τον πάνω στο στοιχείο επαφής έως ότου η προεξοχή στο εσωτερικό του προσαρμογέα της μύτης να ταιριάζει μέσα στην αυλάκωση του στοιχείου επαφής.

ΣΥΝΑΡΜΟΛΟΓΗΣΗ

ΠΡΟΣΟΧΗ:

- Να αποσυνδέετε πάντοτε τον εύκαμπτο σωλήνα πριν εκτελέσετε οποιαδήποτε εργασία στο εργαλείο.

Φόρτωση συνδετήρων

ΠΡΟΣΟΧΗ:

- Πάντοτε να αποσυνδέετε τον εύκαμπτο σωλήνα πριν από τη φόρτωση ή την αφαίρεση των συνδετήρων.
- Μη χρησιμοποιείτε παραμορφωμένους συνδετήρες ή παραμορφωμένη σειρά συνδετήρων. Αν δεν το κάνετε αυτό η τροφοδοσία των συνδετήρων θα είναι ανεπαρκής.
- Να χρησιμοποιείτε μόνο συνδετήρες που καθορίζονται σε αυτό το εγχειρίδιο οδηγιών. Αν δεν το κάνετε αυτό η τροφοδοσία των συνδετήρων θα είναι ανεπαρκής.
- Πάντοτε να επαναφέρετε τον ωθητή αργά και προσεκτικά καθώς τον κρατάτε με το χέρι.
- Η επιστροφή της βάσης του ωθητή με πατημένο τον ωθητή δεν επιτρέπει το φόρτωμα των συνδετήρων. Μην πιέσετε τον ωθητή κατά τη φόρτωση. (Εικ. 12)

Εισάγετε μια σειρά από συνδετήρες μέσα στη σχισμή στο πίσω μέρος του γεμιστήρα έως ότου περάσουν τον αναστολέα των συνδετήρων. Το εργαλείο δέχεται μια σειρά από συνδετήρες (84 τεμ.) (Εικ. 13)

Τραβήξτε την βάση του ωθητή μέχρι τέρμα στο πίσω μέρος του γεμιστήρα και επιστρέψτε τον αργά και προσεκτικά στην αρχική του θέση.

Αφαίρεση συνδετήρων (Εικ. 14)

Κρατήστε το εργαλείο έτσι ώστε το πίσω μέρος του γεμιστήρα να βλέπει προς τα κάτω.

Τραβήξτε ελαφρά την βάση του ωθητή, πιέστε τον ωθητή και από τις δυο πλευρές και ελευθερώστε τους συνδετήρες. Επιστρέψτε τη βάση του ωθητή με προσοχή και αργά.

Πιέστε τον αναστολέα των συνδετήρων και στη συνέχεια βγάλτε έξω τους συνδετήρες από το πίσω μέρος του γεμιστήρα.

Σύνδεση του εύκαμπτου σωλήνα αέρα

Σύρστε την υποδοχή αέρα του εύκαμπτου σωλήνα αέρα στο προσάρτημα αέρα στο συρραπτικό. Βεβαιωθείτε ότι η υποδοχή αέρα κλειδώνει σταθερά στη θέση της όταν την τοποθετείτε στο προσάρτημα αέρα. Πρέπει να τοποθετηθεί μια σύζευξη εύκαμπτων σωλήνων επάνω ή κοντά στο εργαλείο με τρόπο ώστε να εκτονώνεται το δοχείο πίεσης τη στιγμή που αποσυνδεθεί η σύζευξη παροχής αέρα.



ΛΕΙΤΟΥΡΓΙΑ

ΠΡΟΣΟΧΗ:

- Βεβαιωθείτε ότι όλα τα συστήματα ασφάλειας βρίσκονται σε καλή κατάσταση πριν από τη λειτουργία.
1. Για να συρραψέτε ένα συνδετήρα, μπορείτε να τοποθετήσετε το στοιχείο επαφής επάνω στο τεμάχιο εργασίας και να πιέσετε τη σκανδάλη, ή (Εικ. 15 & 16)
 2. Να πιέσετε πρώτα τη σκανδάλη και κατόπιν να τοποθετήσετε το στοιχείο επαφής επάνω στο τεμάχιο εργασίας.

- Η πρώτη μέθοδος χρησιμοποιείται για τη διακεκομμένη συρραφή, όταν επιθυμείτε να συρράψετε ένα συνδετήρα με προσοχή και μεγάλη ακρίβεια.
- Η δεύτερη μέθοδος χρησιμοποιείται για τη συνεχής συρραφή.

ΠΡΟΣΟΧΗ:

- Όμως, όταν το εργαλείο είναι ρυθμισμένο στον τρόπο λειτουργίας «διακεκομμένη συρραφή» ΜΕ ΤΗ ΣΚΑΝΔΑΛΗ ΚΡΑΤΗΜΕΝΗ ΣΕ ΜΙΣΟΠΙΕΣΜΕΝΗ ΘΕΣΗ, μπορεί να προκύψει μια ξαφνική συρραφή, σε περίπτωση που το στοιχείο επαφής αφαιρεθεί να έρθει ξανά σε επαφή με το τεμάχιο εργασίας ή σε κάποια άλλη επιφάνεια υπό την επίδραση της οπισθοδρόμησης.
Για να αποφύγετε αυτή τη ξαφνική συρραφή, να κάνετε τα εξής:
 - Α. Να μην τοποθετείτε το στοιχείο επαφής επάνω στο τεμάχιο εργασίας με υπερβολική δύναμη.
 - Β. Να πιέζετε τη σκανδάλη πλήρως και να την κρατάτε για 1 έως 2 δευτερόλεπτα μετά από τη συρραφή.
- Για την πρώτη μέθοδο, ρυθμίστε το μοχλό αλλαγής στη θέση .
Για τη δεύτερη μέθοδο, ρυθμίστε το μοχλό αλλαγής στη θέση .
Αφού χρησιμοποιήσετε το μοχλό αλλαγής για να αλλάξετε τη μέθοδο συρραφής, να βεβαιώνετε πάντοτε ότι ο μοχλός αλλαγής είναι σωστά ρυθμισμένος στη θέση για την επιθυμητή μέθοδο συρραφής. (Εικ. 17 & 18)

Δάπεδο

ΠΡΟΣΟΧΗ:

- Η υπερβολική κλίση του εργαλείου τείνει να δημιουργεί φούσκωμα στην επιφάνεια του τεμαχίου εργασίας. Το κράτημά του τελειώς κάθεται τείνει να προκαλεί το σπάσιμο του τεμαχίου εργασίας.
- Το φούσκωμα ή το σπάσιμο του σημείου συρραφής του τεμαχίου εργασίας μπορεί να συμβεί ανάλογα με τις συνθήκες της συρραφής, ακόμη και όταν κρατάτε το εργαλείο υπό την καθορισμένη γωνία συρραφής. Κάντε ορισμένες δοκιμαστικές συρραφές πριν κάνετε την πραγματική συρραφή. (Εικ. 19)

Εάν απαιτείται ακρίβεια κατά την συρραφή, όπως κατά την επίστρωση δαπέδου, χρησιμοποιήστε τον τρόπο λειτουργίας «Διακεκομμένη συρραφή».

Κατά την συρραφή, κρατήστε το εργαλείο με κλίση υπό γωνίες 50° - 55° όπως δείχνεται στην εικόνα.

Μηχανισμός προστασίας από τη συρραφή χωρίς συνδετήρες

Αυτός είναι ο μηχανισμός που αποτρέπει στο εργαλείο να λειτουργήσει χωρίς συνδετήρα.

Ο μηχανισμός προστασίας από τη συρραφή χωρίς συνδετήρες ενεργοποιείται αυτόματα όταν οι εναπομένοντες συνδετήρες μείνουν στα 5-7 κομμάτια.

Κατεύθυνση του αέρα εξόδου (Εικ. 20)

Αν περιστρέψετε το κάλυμμα εξόδου με το χέρι, μπορείτε να αλλάξετε την κατεύθυνση του αέρα εξόδου κατά 360 μοίρες.

Αφαίρεση μπλοκαρισμένων συνδετήρων

ΠΡΟΕΙΔΟΠΟΙΗΣΗ:

- Να αποσυνδέετε πάντοτε τον εύκαμπτο σωλήνα πριν αφαιρέσετε τους συνδετήρες.
Αφαιρέστε τους συνδετήρες από το γεμιστήρα. (Ανατρέξτε στην ενότητα με τίτλο «Αφαίρεση συνδετήρων») (Εικ. 21)
Βγάλτε έξω το εξάγωνο άλεν από το στήριγμα μέσα στο κάλυμμα του γεμιστήρα τραβώντας το από τα εμπρός. (Εικ. 22)
Αφαιρέστε τις δυο βίδες που στερεώνουν το άνω τμήμα της επαφής με το εξάγωνο άλεν.
Ο οδηγός τροφοδοσίας των συνδετήρων θα εμφανιστεί και ξεμπλοκάρει τους.
Αν ακόμη δεν μπορείτε να ξεμπλοκάρετε τους συνδετήρες, αφαιρέστε ακόμη δυο βίδες που στερεώνουν τον μπροστινό οδηγό με το εξάγωνο άλεν για να τους ξεμπλοκάρετε.

ΣΥΝΤΗΡΗΣΗ

ΠΡΟΣΟΧΗ:

- Να αποσυνδέετε πάντοτε τον εύκαμπτο σωλήνα του αέρα πριν επιχειρήσετε να εκτελέσετε έλεγχο ή συντήρηση.

Συντήρηση του συρραπτικού

Πριν από τη λειτουργία, να ελέγχετε πάντοτε τη γενική κατάσταση του εργαλείου, αλλά και αν οι βίδες είναι χαλαρές. Σφίξτε όπως απαιτείται.

Με το εργαλείο αποσυνδεδεμένο, πραγματοποιήστε καθημερινό έλεγχο για να επιβεβαιώσετε ότι το στοιχείο επαφής και η σκανδάλη κινούνται ελεύθερα. Μη χρησιμοποιείτε το εργαλείο αν κολλάει ή εμπλέκεται το στοιχείο επαφής ή η σκανδάλη.

Αποστράγγιση εργαλείου (Εικ. 23)

Αποσυνδέστε τον εύκαμπτο σωλήνα από το εργαλείο. Τοποθετήστε το εργαλείο έτσι ώστε το προσάρτημα αέρα να βλέπει προς το πάτωμα. Αποστραγγίστε όσο το δυνατόν περισσότερο.

Καθαρισμός του εργαλείου

Η σιδηρόσκονη που κολλά πάνω στο μαγνήτη μπορεί να καθαριστεί με την χρήση ενός αεροζόλ.

Καπάκι

Όταν δεν βρίσκεται σε χρήση, αποσυνδέστε τον εύκαμπτο σωλήνα. Μετά καλύψτε το προσάρτημα αέρα με το καπάκι. (Εικ. 24)

Αποθήκευση

Όταν δεν βρίσκεται σε χρήση το συρραπτικό θα πρέπει να αποθηκεύεται σε ένα θερμό και ξηρό χώρο.

Συντήρηση του συμπιεστή, του σειτ αέρα και του εύκαμπτου σωλήνα αέρα (Εικ. 25 & 26)

Μετά από τη λειτουργία, να αποστραγγίζετε πάντοτε τη δεξαμενή του συμπιεστή και το φίλτρο αέρα. Αν εισέλθει υγρασία στο εργαλείο, μπορεί να έχει ως αποτέλεσμα την ανεπαρκή απόδοση και την πιθανή βλάβη του εργαλείου. Να ελέγχετε τακτικά να δείτε αν υπάρχει αρκετό λάδι για εργαλεία πεπιεσμένου αέρα στο λιπαντήρα του σειτ αέρα.

Αν δεν διατηρείται η επαρκής λίπανση, θα προκληθεί γρήγορη φθορά των στρογγυλών δακτυλίων. **(Εικ. 27)**
Να διατηρείτε τον εύκαμπτο σωλήνα αέρα μακριά από τη θερμότητα (θερμοκρασία υψηλότερη από 60°C, ή 140°F) και μακριά από χημικές ουσίες (διαλύτες, ισχυρά οξέα ή ισχυρές βάσεις). Επίσης, να δρομολογείτε τον εύκαμπτο σωλήνα μακριά από εμπόδια στα οποία θα μπορούσε να εμπλακεί επικίνδυνα κατά τη λειτουργία.

Οι εύκαμπτοι σωλήνες πρέπει να δρομολογούνται μακριά από αιχμηρά άκρα και περιοχές που μπορεί να οδηγήσουν σε βλάβη ή τρίψιμο του εύκαμπτου σωλήνα.

(Εικ. 28)

Για να διατηρείται η ΑΣΦΑΛΕΙΑ και η ΑΞΙΟΠΙΣΤΙΑ του προϊόντος, οι εργασίες επισκευής, καθώς και οποιαδήποτε άλλη εργασία συντήρησης ή ρύθμισης, θα πρέπει να εκτελούνται σε εξουσιοδοτημένα κέντρα εξυπηρέτησης της Makita, και πάντοτε με τη χρήση ανταλλακτικών της Makita.

ΑΞΕΣΟΥΑΡ

ΠΡΟΣΟΧΗ:

- Συνιστάται η χρήση αυτών των αξεσουάρ ή εξαρτημάτων με το εργαλείο της Makita, όπως περιγράφεται στο παρόν χειριρίδιο. Αν χρησιμοποιήσετε άλλα αξεσουάρ ή εξαρτήματα μπορεί να παρουσιαστεί κίνδυνος πρόκλησης τραυματισμού. Να χρησιμοποιείτε τα αξεσουάρ ή τα εξαρτήματα μόνο για το σκοπό για τον οποίο προορίζονται.

Αν χρειάζεστε κάποια βοήθεια ή περισσότερες πληροφορίες σχετικά με τα αξεσουάρ αυτά, απευθυνθείτε στο πλησιέστερο κέντρο τεχνικής υποστήριξης της Makita.

- Συνδετήρες
- Εύκαμπτοι σωλήνες αέρα
- Γυαλιά προστασίας

Για ευρωπαϊκές χώρες μόνο Θόρυβος και Δόνηση

ENG045-2

Το σύνθηες σταθμισμένο επίπεδο ηχητικής πίεσης είναι:
επίπεδο ηχητικής πίεσης: 80 dB (A)
επίπεδο ηχητικής ισχύος: 93 dB (A).

Να φοράτε ωτοασπίδες.

Η σύνθηες σταθμισμένη μέση τετραγωνική ρίζα της τιμής επιτάχυνσης δεν υπερβαίνει τα 2,5 m/s².

Αβεβαιότητα (K): 1,5 m/s².

Οι τιμές αυτές έχουν ληφθεί σύμφωνα με το EN792.

EK – ΔΗΛΩΣΗ ΣΥΜΜΟΡΦΩΣΗΣ

ENH013-7

Μοντέλο; AT450H

Δηλώνουμε με αποκλειστική ευθύνη μας ότι το προϊόν αυτό συμμορφώνεται με τα ακόλουθα πρότυπα των τυποποιημένων εντύπων:

EN792 σε συμφωνία με τις Οδηγίες της Επιτροπής, 98/37/ΕΚ.

CE 2008



Tomoyasu Kato
Διευθυντής

Υπεύθυνος Κατασκευαστής:

Makita Corporation

3-11-8, Sumiyoshi-cho, Anjo, Aichi, JAPAN

Εξουσιοδοτημένος Αντιπρόσωπος στην Ευρώπη:

Makita International Europe Ltd.

Michigan Drive, Tongwell, Milton Keynes, Bucks MK15 8JD, ΑΓΓΛΙΑ

Makita Corporation
Anjo, Aichi, Japan

884804A993