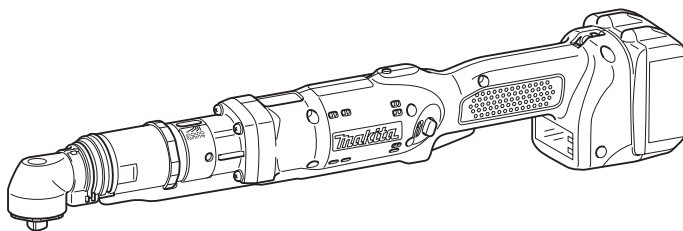
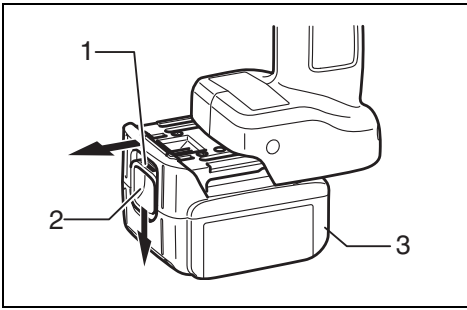


# Makita®

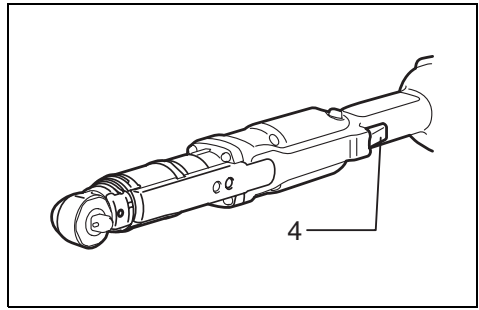
<b>GB</b>	<b>Cordless Angle Screwdriver</b>	<b>Instruction Manual</b>
<b>F</b>	<b>Visseuse angulaire sans fil</b>	<b>Manuel d'instructions</b>
<b>D</b>	<b>Akku-Winkelschrauber</b>	<b>Betriebsanleitung</b>
<b>I</b>	<b>Avvitatore ad angolo a batteria</b>	<b>Istruzioni per l'uso</b>
<b>NL</b>	<b>Accu haakse schroevendraaier</b>	<b>Gebruiksaanwijzing</b>
<b>E</b>	<b>Atornillador angular a batería</b>	<b>Manual de instrucciones</b>
<b>P</b>	<b>Aparafusadora angular sem fio</b>	<b>Manual de instruções</b>
<b>DK</b>	<b>Akku-vinkelskruetrækker</b>	<b>Brugsanvisning</b>
<b>GR</b>	<b>Ασύρματο γωνιακό καταβίδι</b>	<b>Οδηγίες χρήσεως</b>

**BFL201R**  
**BFL301R**  
**BFL402R**

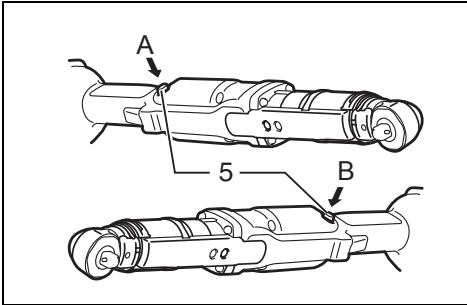




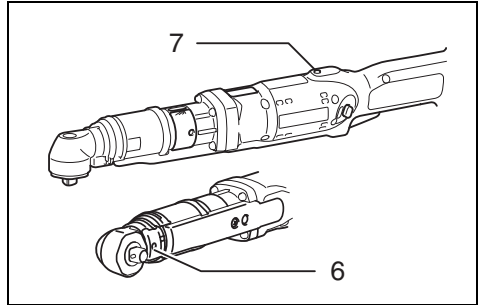
1



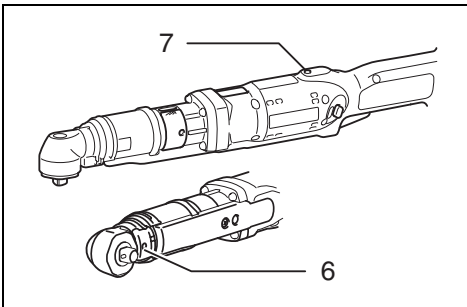
2



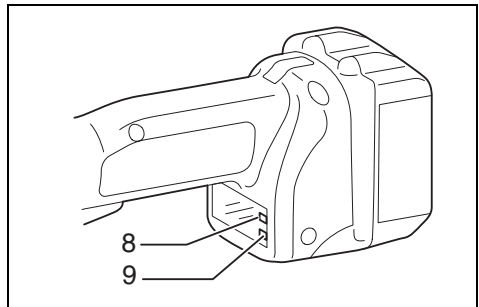
3



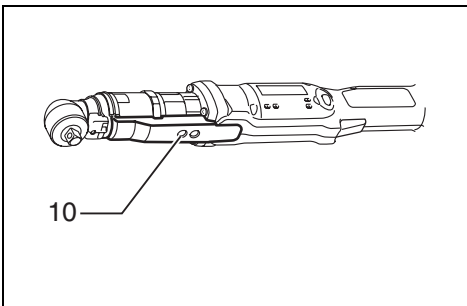
4



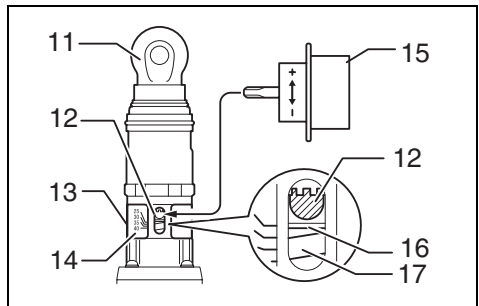
5



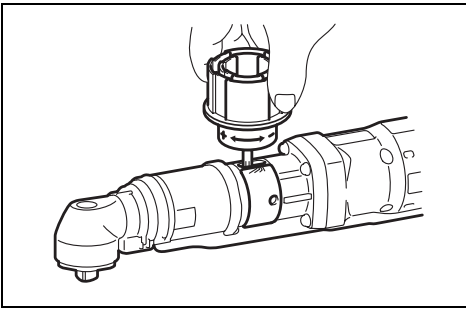
6



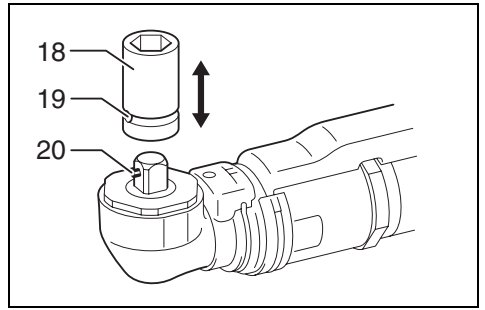
7



8



9



10

**Explanation of general view**

1 Red part	8 LED#B1	15 Adjusting grip
2 Button	9 LED#B2	16 Yellow line
3 Battery cartridge	10 Screw	17 Compression spring
4 Switch trigger	11 Angle head	18 Socket
5 Reversing switch lever	12 Hole for adjusting grip	19 Hole
6 Lamp	13 Ring	20 Pin
7 LED#A	14 Scale	

**SPECIFICATIONS**

Model		BFL201R	BFL301R	BFL402R
Fastening torque	Hard joint	10 – 20 N•m	16 – 30 N•m	25 – 40 N•m
	Soft joint	10 – 20 N•m	16 – 30 N•m	25 – 40 N•m
Square drive		9.5 mm	9.5 mm	9.5 mm
No load speed (min <sup>-1</sup> )		360	260	200
Dimensions		429 mm x 72 mm x 98 mm	477 mm x 72 mm x 98 mm	477 mm x 72 mm x 98 mm
Net weight		1.7 kg	2.0 kg	2.0 kg
Rated voltage		D.C. 14.4 V		

- Due to our continuing program of research and development, the specifications herein are subject to change without notice.
- Note: Specifications may differ from country to country.

**Intended use**

The tool is intended for screwdriving in wood, metal and plastic.

**Safety hints**

For your own safety, please refer to the enclosed safety instructions.

**SPECIFIC SAFETY RULES**

GEB017-1

**DO NOT** let comfort or familiarity with product (gained from repeated use) replace strict adherence to screwdriver safety rules. If you use this tool unsafely or incorrectly, you can suffer serious personal injury.

1. Hold power tools by insulated gripping surfaces when performing an operation where the cutting tool may contact hidden wiring or its own cord. Contact with a "live" wire will make exposed metal parts of the tool "live" and shock the operator.
2. Always be sure you have a firm footing. Be sure no one is below when using the tool in high locations.
3. Hold the tool firmly.
4. Keep hands away from rotating parts.
5. Do not touch the bit or the workpiece immediately after operation; they may be extremely hot and could burn your skin.

**SAVE THESE INSTRUCTIONS.**

**WARNING:**

**MISUSE** or failure to follow the safety rules stated in this instruction manual may cause serious personal injury.

**IMPORTANT SAFETY INSTRUCTIONS FOR BATTERY CARTRIDGE**

ENC007-2

1. Before using battery cartridge, read all instructions and cautionary markings on (1) battery charger, (2) battery, and (3) product using battery.
2. Do not disassemble battery cartridge.
3. If operating time has become excessively shorter, stop operating immediately. It may result in a risk of overheating, possible burns and even an explosion.
4. If electrolyte gets into your eyes, rinse them out with clear water and seek medical attention right away. It may result in loss of your eyesight.
5. Do not short the battery cartridge:
  - (1) Do not touch the terminals with any conductive material.
  - (2) Avoid storing battery cartridge in a container with other metal objects such as nails, coins, etc.
  - (3) Do not expose battery cartridge to water or rain.  
A battery short can cause a large current flow, overheating, possible burns and even a breakdown.
6. Do not store the tool and battery cartridge in locations where the temperature may reach or exceed 50°C (122°F).
7. Do not incinerate the battery cartridge even if it is severely damaged or is completely worn out. The battery cartridge can explode in a fire.
8. Be careful not to drop or strike battery.

**SAVE THESE INSTRUCTIONS.**

### Tips for maintaining maximum battery life

1. Charge the battery cartridge before completely discharged.  
Always stop tool operation and charge the battery cartridge when you notice less tool power.
2. Never recharge a fully charged battery cartridge. Overcharging shortens the battery service life.
3. Charge the battery cartridge with room temperature at 10°C – 40°C (50°F – 104°F). Let a hot battery cartridge cool down before charging it.

### FUNCTIONAL DESCRIPTION

#### CAUTION:

- Always be sure that the tool is switched off and the battery cartridge is removed before adjusting or checking function on the tool.

#### Installing or removing battery cartridge (Fig. 1)

- Always switch off the tool before insertion or removal of the battery cartridge.
- To remove the battery cartridge, withdraw it from the tool while sliding the button on the front of the cartridge.
- To insert the battery cartridge, align the tongue on the battery cartridge with the groove in the housing and slip it into place. Always insert it all the way until it locks in place with a little click. If you can see the red part on the upper side of the button, it is not locked completely. Insert it fully until the red part cannot be seen. If not, it may accidentally fall out of the tool, causing injury to you or someone around you.
- Do not use force when inserting the battery cartridge. If the cartridge does not slide in easily, it is not being inserted correctly.

### Switch action (Fig. 2)

#### CAUTION:

- Before inserting the battery cartridge into the tool, always check to see that the switch trigger actuates properly and returns to the "OFF" position when released.

To start the tool, simply pull the switch trigger. Release the switch trigger to stop.

### Reversing switch action (Fig. 3)

#### CAUTION:

- Always check the direction of rotation before operation.
- Use the reversing switch only after the tool comes to a complete stop. Changing the direction of rotation before the tool stops may damage the tool.
- When not operating the tool, always set the reversing switch lever to the neutral position.

This tool has a reversing switch to change the direction of rotation. Depress the reversing switch lever from the A side for clockwise rotation or from the B side for counterclockwise rotation.

When the reversing switch lever is in the neutral position, the switch trigger cannot be pulled.

### Lighting up the lamps (Fig. 4)

#### CAUTION:

- Do not look in the light or see the source of light directly.

Pull the switch trigger to light up the lamp. The lamp keeps on lighting while the switch trigger is being pulled. The light automatically goes out 10 seconds after the switch trigger is released.

#### NOTE:

- Use a dry cloth to wipe the dirt off the lens of lamp. Be careful not to scratch the lens of lamp, or it may lower the illumination.

### LED indicator / Beeper

#### For LED#A (Fig. 5)

Led indicator / Beeper on the tool shows the following functions.

Status of the LED indicator/beeper		Function	Status	Action to be taken
LED indicator	Beeper			
Lights up in Green → Red → Blue → White in order	A series of very short beeps	Check LED#A, light and beeper (when pulling switch trigger for the first time after installing a battery cartridge into the tool)	Make sure that green, red, blue, white LED lights up and beeper beeps properly	—
Blinks in purple slowly.	A series of long beep	Warning for battery cartridge capacity	This indicates the appropriate time to replace the battery cartridge when the battery power becomes low.	Replace the battery with fully charged one.
Lights up in purple	A long beep	Checking the remaining battery capacity, Autostop	This function works when the battery power is almost used up. At this time, tool stops immediately.	Replace the battery with fully charged one.

Status of the LED indicator/beeper		Function	Status	Action to be taken
LED indicator	Beeper			
Lights up in red and green alternatively	A series of short beeps	Anti-reset of controller	This function works when an abnormal drop of the battery voltage occurs for some reason, and the tool stops.	Replace the battery with fully charged one.
		Failure of motor	This function works when motor fails.	Take it to a Makita Authorized Service centers.
Blinks in red quickly.	A series of short beeps	Overheat	This function works when the temperature of the controller or motor goes up very highly, and the tool stops.	Remove the battery cartridge immediately and cool the tool down.
Green (blue when batch is completed in tool stand-alone mode)		Auto-stop fastening	This function works when the tool has reached within the fastening torque range preset on PC and normal tightening has been completed. (Note)	—
Lights up in red.	A long beep	Result of torque judgment: NOK (High)	This function works when the tool has reached above the fastening torque range preset on PC. (Note)	—
Lights up in yellow.	A long beep	Result of torque judgment: NOK (Low)	This function works when the tool has reached below the fastening torque range preset on PC. (Note)	—
Blinks in red and yellow alternatively.	A long beep	Warning against insufficient fastening	Fastening is incomplete when switch trigger of tool is released before clutch activation.	—
		Double-hitting detection	This function works when a screw is refastened after fastening.	—
		Angle judge NOK	This function works when a screw is not fastened within the angle range preset on PC (Note).	—
		Rundown NOK	This function works when a fastening is finished before it reaches the preset angle range. (Note)	—
		Torque impossible monitoring	This function works when torque monitoring is cannot be carried out. (When using hard joint)	—
Blinks in red and blue alternatively.	A series of short beeps	Disconnection (when using receiver RCV02)	Radio communication not yet established	Finish necessary connection or remove a battery cartridge to escape.
		Radio communication failure	This function works when there is radio communication failure.	Take it to a Makita Authorized Service centers.

Note: These values can be changed on PC. Refer to SRCV02 USER MANUAL for details.

## For LED#B (Fig. 6)

Led indicator / Beeper on the tool shows the following functions.

Description	Viewed color	View and status			
LED#B (1)	Green	1	lights up	when the tool is connected to a receiver.	
		2	blinks	when the tool is on the step of being connected to a receiver. (Note 1)	
		3	is turned off	one of the status below	
				3-1	when the battery cartridge is removed from the tool.
				3-2	when the tool is left idle for more than 15 minutes with a installed battery cartridge.
		3-3	when the tool is not within the transmission distance. (Note 2)		
LED#B (2)	Red	1	lights up	when the tool's stored number of data reaches its storable number of data.	
		2	blinks	when the tool's stored number of data is equal to or smaller than its storable number of data.	
		3	is turned off	when the tool has no stored data to transmit to a receiver.	

Note 1: Refer to a instruction manual of receiver (accessory) RCV02 when connecting it.

Note 2: Communication distance: 10 m or less (variable up to 10 m depending on the operation environment)

### CAUTION:

- Make sure that LED#B (2) does not light up before removing a battery cartridge from the tool. If a battery cartridge is removed while LED#B (2) lights up or blinks, tools stored data will be deleted.

## Adjusting the fastening torque (Fig. 7, 8 & 9)

When you wish to drive machine screws, wood screws, hex bolts, etc. with the predetermined torque, adjust the fastening torque as follows.

1. First remove the battery cartridge from the tool.
2. Loosen and remove the screw that secures ring. (Loosen the two screws that secure ring only for BFL201R)
3. Rotate the ring in the front of the tool by hand so that a hole can be seen below the ring.
4. Place the battery cartridge in place and pull the switch trigger. Release it so that the adjusting ring rotates and becomes visible in the hole. And then remove the battery cartridge.
5. Use an optional adjusting grip to adjust the fastening torque. Insert the pin of the adjusting grip into the hole in the front of the tool. And then, turn the adjusting grip clockwise to set a greater fastening torque, and counterclockwise to set a smaller fastening torque.
6. Align the edge of the adjusting ring with your desired number on the fastening torque scale.
7. Insert the battery cartridge and be sure that a fastening torque has been set up by using a fastening torque tester.
8. Rotate the ring so that the hole for adjusting grip is covered, hold and then secure the ring with screw.

### NOTE:

- Numbers on the fastening torque scale is a guideline to set up your desired fastening torque.

## ASSEMBLY

### CAUTION:

- Always be sure that the tool is switched off and the battery cartridge is removed before carrying out any work on the tool.

### Selecting correct socket

There are different types of sockets for some models depending on applications. Choose and install a correct socket for your application.

### Installing or removing socket (Fig. 10)

To install the socket, push it onto the square drive of the tool with one hand by depressing a pin on the square drive with another hand until it locks into place. To remove the socket, simply pull it off depressing the pin on the square drive.

## OPERATION

Hold the tool firmly and place the socket over the bolt or nut. Then switch the tool on. When the clutch cuts in, the motor will stop automatically. Then release the switch trigger.

### NOTE:

- Hold the tool with its square drive pointed straight at the bolt or nut, or the bolt or nut will be damaged.

### Limits of fastening capacity

Use the tool within the range of the revolution angle 30°–360°. If you use the tool below the lower limit of this range, the torque cannot be detected (LED#A blinks in red and yellow alternatively). If you use the tool beyond the upper limit of this range, the clutch does not work. And the tool cannot deliver enough fastening torque (LED#A blinks in purple slowly or lights up in purple).

### NOTE:

- The revolution angle means the angle which a screw/ bolt revolves when the tool attains to 100% from 50% of desired torque.

- Use of a low temperature conditioned battery cartridge may sometimes give warning for battery cartridge capacity by warning lamp and beeper which makes the tool stop immediately. In this case, the range of fastening capacity may be inferior to those shown in the above even if a charged battery cartridge is used.

## **MAINTENANCE**

### **CAUTION:**

- Always be sure that the tool is switched off and the battery cartridge is removed before attempting to perform inspection or maintenance.

To maintain product SAFETY and RELIABILITY, repairs, any other maintenance or adjustment should be performed by Makita Authorized Service Centres, always using Makita replacement parts.

## **ACCESSORIES**

### **CAUTION:**

- These accessories or attachments are recommended for use with your Makita tool specified in this manual. The use of any other accessories or attachments might present a risk of injury to persons. Only use accessory or attachment for its stated purpose.

If you need any assistance for more details regarding these accessories, ask your local Makita service center.

- Protector (Yellow, Blue, Red, Clear)
- Makita genuine battery and charger
- Automatic refreshing adapter
- Adjust grip
- Switch lever set
- Spindle complete 12.7
- Receiver RCV02
- Software Installing disc (CD-ROM) except for Model BFT041R
- USB-serial adapter
- RS-232C cable



## Descriptif

1	Partie rouge	8	DEL#B1	14	Échelle
2	Bouton	9	DEL#B2	15	Poignée de réglage
3	Batterie	10	Vis	16	Ligne jaune
4	Gâchette	11	Tête angulaire	17	Ressort de compression
5	Inverseur	12	Orifice pour la poignée de réglage	18	Douille
6	Lampe	13	Anneau	19	Orifice
7	DEL#A			20	Broche

## SPECIFICATIONS

Modèle		BFL201R	BFL301R	BFL402R
Couple de serrage	Joint rigide	10 – 20 N•m	16 – 30 N•m	25 – 40 N•m
	Joint souple	10 – 20 N•m	16 – 30 N•m	25 – 40 N•m
Tournevis carré		9,5 mm	9,5 mm	9,5 mm
Vitesse à vide (min <sup>-1</sup> )		360	260	200
Dimensions		429 mm x 72 mm x 98 mm	477 mm x 72 mm x 98 mm	477 mm x 72 mm x 98 mm
Poids net		1,7 kg	2,0 kg	2,0 kg
Tension nominale		14,4 V CC		

• Etant donné l'évolution constante de notre programme de recherche et de développement, les spécifications contenues dans ce manuel sont sujettes à modification sans préavis.

• Note : Les spécifications peuvent varier suivant les pays.

### Utilisation prévue

L'outil est prévu pour le vissage dans le bois, le métal et le plastique.

### Consignes de sécurité

Pour votre propre sécurité, reportez-vous aux consignes de sécurité qui accompagnent l'outil.

## PRECAUTIONS SUPPLEMENTAIRES POUR L'OUTIL

**NE vous laissez PAS tromper (au fil d'une utilisation répétée) par un sentiment d'aisance et de familiarité avec l'outil, en négligeant le respect rigoureux des consignes de sécurité qui accompagnent la visseuse. Si vous n'utilisez pas cet outil électrique de façon sûre et adéquate, vous courez un risque de blessure grave.**

1. Saisissez les outils électriques par leurs surfaces de poigne isolées lorsque vous effectuez une opération au cours de laquelle l'outil tranchant peut entrer en contact avec des fils cachés ou avec son propre cordon d'alimentation. Le contact avec un fil sous tension mettra les parties métalliques exposées de l'outil sous tension, causant ainsi un choc électrique chez l'utilisateur.
2. Veillez à toujours avoir un bon équilibre. Vérifiez qu'il n'y a personne dessous quand vous utilisez l'outil en hauteur.
3. Tenez l'outil fermement.
4. N'approchez pas les mains des pièces en mouvement.

5. **Ne touchez ni la vis ni son support immédiatement après un vissage. Ils peuvent être extrêmement chauds et risquer de vous brûler.**

## CONSERVEZ CES INSTRUCTIONS.

### AVERTISSEMENT :

**LA MAUVAISE UTILISATION de l'outil ou l'ignorance des consignes de sécurité du présent manuel d'instructions peuvent entraîner une grave blessure.**

## PRÉCAUTIONS IMPORTANTES POUR LA BATTERIE

1. Avant d'utiliser la batterie, lisez toutes les instructions et précautions relatives (1) au chargeur de batterie, (2) à la batterie, et (3) à l'outil utilisant la batterie.
2. Ne démontez pas la batterie.
3. Cessez immédiatement l'utilisation si le temps de fonctionnement devient excessivement court. Il y a risque de surchauffe, de brûlures, voire d'explosion.
4. Si l'électrolyte pénètre dans vos yeux, rincez-les à l'eau claire et consultez immédiatement un médecin. Il y a risque de perte de la vue.
5. Ne court-circuitez pas la batterie :
  - (1) Ne touchez les bornes avec aucun matériau conducteur.
  - (2) Évitez de ranger la batterie dans un conteneur avec d'autres objets métalliques, par exemple des clous, des pièces de monnaie, etc.
  - (3) N'exposez pas la batterie à l'eau ou à la pluie. Un court-circuit de la batterie pourrait provoquer un fort courant, une surchauffe, parfois des brûlures et même une panne.

6. **Ne rangez pas l'outil ou la batterie dans des endroits où la température risque d'atteindre ou de dépasser 50°C.**
7. **Ne jetez pas la batterie au feu même si elle est sérieusement endommagée ou complètement épuisée. La batterie peut exploser au contact du feu.**
8. **Prenez garde d'échapper ou de heurter la batterie.**

## CONSERVEZ CES INSTRUCTIONS.

### Conseils pour assurer la durée de vie optimale de la batterie

1. **Rechargez la batterie avant qu'elle ne soit complètement déchargée. Arrêtez toujours l'outil et rechargez la batterie quand vous remarquez que la puissance de l'outil diminue.**
2. **Ne rechargez jamais une batterie complètement chargée. La surcharge réduit la durée de service de la batterie.**
3. **Chargez la batterie alors que la température de la pièce se trouve entre 10°C et 40°C. Avant de charger une batterie chaude, laissez-la refroidir.**

## DESCRIPTION DU FONCTIONNEMENT

### ATTENTION :

- Assurez-vous toujours que l'outil est hors tension et que sa batterie est retirée avant de l'ajuster ou de vérifier son fonctionnement.

### Installation et retrait de la batterie (Fig. 1)

- Mettez toujours l'outil hors tension avant d'insérer ou de retirer la batterie.
- Pour retirer la batterie, sortez-la de l'outil tout en faisant glisser le bouton à l'avant de la batterie.
- Pour insérer la batterie, alignez sa languette sur l'entaille à l'intérieur du carter, puis glissez la batterie en place. Insérez-la toujours bien à fond, jusqu'à ce qu'elle se verrouille en émettant un léger bruit sec. Si vous pouvez voir la partie rouge de la face supérieure du bouton, la batterie n'est pas parfaitement verrouillée. Insérez-la à fond, jusqu'à ce que la partie rouge ne soit plus visible. Sinon, elle risque de tomber accidentellement de l'outil, en vous blessant ou en blessant une personne qui se trouve près de vous.
- Ne forcez jamais quand vous introduisez la batterie. Si la batterie ne glisse pas aisément, c'est qu'elle n'est pas insérée correctement.

### Interrupteur (Fig. 2)

#### ATTENTION :

- Avant d'insérer la batterie dans l'outil, vérifiez toujours que la gâchette fonctionne bien et revient en position d'arrêt lorsque relâchée.

Pour mettre l'outil en marche, appuyez simplement sur la gâchette. Pour l'arrêter, relâchez la gâchette.

### Marche arrière (Fig. 3)

#### ATTENTION :

- Avant d'utiliser l'outil, vérifiez toujours le sens de rotation.
- N'activez l'inverseur qu'une fois l'outil parfaitement arrêté. Vous risqueriez d'endommager l'outil en changeant le sens de rotation avant que l'outil ne soit arrêté.
- Lorsque vous n'utilisez pas l'outil, placez toujours le levier inverseur en position neutre.

Cet outil est muni d'un inverseur pour changer le sens de rotation. Enfoncez le levier inverseur du côté A pour une rotation dans le sens des aiguilles d'une montre, ou du côté B pour une rotation en sens inverse.

La pression sur la gâchette n'est pas possible lorsque le levier inverseur se trouve en position neutre.

### Allumage de la lampe (Fig. 4)

#### ATTENTION :

- Ne regardez pas directement la lumière ou la source de lumière.

Appuyez sur la gâchette pour allumer la lampe. La lampe demeure allumée tant que la pression sur la gâchette est maintenue. Lorsque vous relâchez la gâchette, la lumière s'éteint au bout de 10 secondes.

#### NOTE :

- Utilisez un chiffon sec pour essuyer les saletés qui recouvrent la lentille de la lampe. Prenez garde de rayer la lentille de la lampe, sinon sa capacité d'éclairage sera affectée.

## Témoin DEL / Avertisseur sonore

### Pour DEL#A (Fig. 5)

Le témoin DEL / l'avertisseur sonore de l'outil indique les fonctions suivantes.

État du témoin DEL/ avertisseur sonore		Fonction	État	Mesure à prendre
Témoin DEL	Avertisseur sonore			
S'allume en Vert → Rouge → Bleu → Blanc, dans cet ordre	Série de très courts signaux sonores	Vérifiez DEL#A, la lumière et l'avertisseur sonore (la première fois que vous appuyez sur la gâchette après avoir inséré la batterie dans l'outil)	Assurez-vous que DEL vert, rouge, bleu et blanc s'allument et que l'avertisseur sonore sonne bien.	—
Clignote lentement en pourpre.	Série de longs signaux sonores	Avertissement de faible charge de la batterie	Indique le temps approprié pour remplacer la batterie lorsqu'elle devient faible.	Remplacez la batterie par une autre complètement chargée.
S'allume en pourpre.	Long signal sonore	Vérification de la charge restante de la batterie, Arrêt automatique	Cette fonction s'active lorsque la batterie est presque complètement épuisée. L'outil s'arrête alors immédiatement.	Remplacez la batterie par une autre complètement chargée.
S'allume alternativement en rouge et en vert.	Série de courts signaux sonores	Anti-réinitialisation du contrôleur	Cette fonction s'active en cas de baisse anormale de la tension de la batterie pour une raison quelconque, et l'outil s'arrête.	Remplacez la batterie par une autre complètement chargée.
		Panne de moteur	Cette fonction s'active en cas de panne du moteur.	Apportez-le dans un centre de service après- vente Makita agréé.
Clignote rapidement en rouge.	Série de courts signaux sonores	Surchauffe	Cette fonction s'active lorsque la température du contrôleur ou du moteur s'élève de manière excessive, et l'outil s'arrête.	Retirez immédiatement la batterie et laissez refroidir l'outil.
Vert (bleu lorsque le paquet est complété en mode d'outil autonome)		Serrage à arrêt automatique	Cette fonction s'active lorsque l'outil a atteint la plage de couples de serrage prédéfinie sur l'ordinateur et que le serrage normal est terminé. (Note)	—
S'allume en rouge.	Long signal sonore	Résultat du jugement de couple : NEGATIF (élevé)	Cette fonction s'active lorsque l'outil a dépasse la plage de couples de serrage prédéfinie sur l'ordinateur. (Note)	—
S'allume en jaune.	Long signal sonore	Résultat du jugement de couple : NEGATIF (bas)	Cette fonction s'active lorsque l'outil n'atteint pas la plage de couples de serrage prédéfinie sur l'ordinateur. (Note)	—

État du témoin DEL/ avertisseur sonore		Fonction	État	Mesure à prendre
Témoin DEL	Avertisseur sonore			
Clignote alternativement en rouge et en jaune.	Long signal sonore	Avertissement de serrage insuffisant	Le serrage est incomplet lorsque la gâchette de l'outil est libérée avant l'activation de l'embrayage.	—
		Détection de double frappe	Cette fonction s'active lorsque la vis est resserrée après avoir été serrée.	—
		Jugement d'angle NEGATIF	Cette fonction s'active lorsqu'une vis n'est pas serrée dans la plage d'angles prédéfinie sur l'ordinateur. (Note)	—
		Angle insuffisant NEGATIF	Cette fonction s'active lorsque le serrage se termine avant d'avoir atteint la plage d'angles prédéfinie. (Note)	—
		Contrôle du couple impossible	Cette fonction s'active lorsque le contrôle du couple n'est pas exécutable. (Lors de l'utilisation d'un raccord dur)	—
Clignote alternativement en rouge et en bleu.	Série de courts signaux sonores	Déconnexion (lors de l'utilisation du récepteur RCV02)	Communication radio non établie	Complétez la connexion nécessaire ou retirez la batterie pour quitter.
		Échec de communication radio	Cette fonction s'active en cas d'échec de communication radio.	Apportez-le dans un centre de service après-vente Makita agréé.

Note : Ces valeurs sont modifiables sur l'ordinateur. Pour plus de détails, reportez-vous au Manuel d'instructions SRCV02.

#### Pour DEL#B (Fig. 6)

Le témoin DEL / l'avertisseur sonore de l'outil indique les fonctions suivantes.

Description	Couleur affichée	Affichage et état			
DEL#B (1)	Vert	1	s'allume	lorsque l'outil est connecté à un récepteur.	
		2	clignote	lorsque l'outil est sur le point d'être connecté à un récepteur. (Note 1)	
		3	est éteint	un des états ci-dessous	
				3-1	lorsque la batterie est retirée de l'outil.
				3-2	lorsque la batterie installée reste inutilisée pendant plus de 15 minutes.
3-3	lorsque l'outil se trouve hors de la zone de transmission. (Note 2)				
DEL#B (2)	Rouge	1	s'allume	lorsque la quantité de données stockées sur l'outil atteint la limite de stockage de données.	
		2	clignote	lorsque la quantité de données stockées sur l'outil est égale ou inférieure à la limite de stockage de données.	
		3	est éteint	lorsque l'outil n'a aucune donnée stockée à transmettre à un récepteur.	

Note 1 : Reportez-vous au manuel d'instructions du récepteur (accessoire) RCV02 pour le connecter.

Note 2 : Zone de transmission : 10 m ou moins (peut varier jusqu'à ± 10 m suivant l'environnement d'utilisation)

#### ATTENTION :

- Assurez-vous que DEL#B (2) n'est pas allumé avant de retirer la batterie de l'outil. Si la batterie est retirée pendant que DEL#B (2) est allumé ou clignote, les données stockées sur l'outil seront supprimées.

#### Réglage du couple de serrage (Fig. 7, 8 et 9)

Pour serrer des vis de mécanique, des vis à bois, des boulons hexagonaux, etc., avec un couple de serrage donné, procédez au réglage du couple de serrage de la façon suivante.

1. Retirez d'abord la batterie de l'outil.
2. Desserrez et retirez la vis qui retient l'anneau. (Desserrez deux vis qui retiennent l'anneau uniquement pour le BFL201R)
3. Tournez manuellement l'anneau à l'avant de l'outil de sorte que l'orifice soit visible sous l'anneau.
4. Mettez la batterie en place et appuyez sur la gâchette. Relâchez-la de sorte que l'anneau de réglage tourne et devienne visible dans l'orifice. Retirez ensuite la batterie.
5. Utilisez la poignée de réglage en option pour régler le couple de serrage. Insérez la broche de la poignée de réglage dans l'orifice à l'avant de l'outil. Tournez ensuite la poignée de réglage dans le sens des aiguilles d'une montre pour augmenter le couple de serrage, et dans le sens inverse pour le réduire.
6. Alignez le bord de l'anneau de réglage sur le numéro désiré sur l'échelle du couple de serrage.
7. Insérez la batterie et assurez-vous que le couple de serrage est bien réglé, au moyen d'un testeur de couple de serrage.
8. Tournez l'anneau de sorte que l'orifice qui sert au réglage de la poignée soit recouvert, puis tenez l'anneau dans cette position tout en serrant la vis.

#### NOTE :

- Les numéros inscrits sur l'échelle du couple de serrage permettent d'effectuer un réglage approximatif sur le couple de serrage désiré.

#### ASSEMBLAGE

##### ATTENTION :

- Assurez-vous toujours que l'outil est hors tension et que sa batterie est retirée avant d'effectuer tout travail dessus.

#### Sélection de la bonne douille

Pour certains modèles il existe différents types de douilles, suivant le travail à effectuer. Veuillez choisir et installer une douille qui convient au travail à effectuer.

#### Installation et retrait de la douille (Fig. 10)

Pour installer la douille, poussez-la dans le carré conducteur de l'outil à l'aide d'une main tout en appuyant de l'autre main sur la broche du carré conducteur jusqu'à ce que la douille se verrouille en place. Pour retirer la douille, tirez simplement dessus en appuyant sur la broche du carré conducteur.

#### UTILISATION

Saisissez fermement l'outil et placez la douille sur le boulon ou l'écrou. Mettez ensuite l'outil en marche. Lorsque l'embrayage s'active, le moteur s'arrête automatiquement. Relâchez ensuite la gâchette.

##### NOTE :

- Tenez l'outil en pointant le carré conducteur bien droit sur le boulon ou l'écrou pour éviter d'endommager le boulon ou l'écrou.

#### Limites de la capacité de serrage

Utilisez l'outil à l'intérieur de sa plage d'angles de révolution : 30° à 360°. Si vous utilisez l'outil en-deçà de la limite inférieure de cette plage, la détection du couple ne sera pas possible (DEL#A clignote alternativement en rouge et en jaune). Si vous utilisez l'outil au-delà de la limite supérieure de cette plage, l'embrayage ne s'activera pas. De plus, l'outil ne pourra pas fournir un couple de serrage suffisant (DEL#A clignote lentement en pourpre ou s'allume en pourpre).

##### NOTE :

- L'angle de rotation fait référence à l'angle sur lequel une vis ou un boulon tourne lorsque l'outil passe de 50% à 100% du couple désiré.
- Lors de l'utilisation de la batterie à basse température, il arrive parfois qu'un témoin d'avertissement et un avertisseur sonore signalent que la batterie est faible et que l'outil doit être arrêté. À basse température, il se peut également que la plage de capacité de serrage soit inférieure à celle indiquée ci-dessus même avec une batterie pleinement chargée.

#### ENTRETIEN

##### ATTENTION :

- Assurez-vous toujours que l'outil est hors tension et que la batterie est sortie avant de procéder à son inspection ou à son entretien.

Pour maintenir la SÉCURITÉ et la FIABILITÉ du produit, les réparations, travaux d'entretien et autres réglages doivent être effectués dans un centre de service Makita agréé ou un centre de service de l'usine Makita, exclusivement avec des pièces de rechange Makita.

#### ACCESSOIRES

##### ATTENTION :

- Ces accessoires ou pièces complémentaires sont recommandés pour l'utilisation avec l'outil Makita spécifié dans ce mode d'emploi. L'utilisation de tout autre accessoire ou pièce complémentaire peut comporter un risque de blessure. N'utilisez les accessoires ou pièces qu'aux fins auxquelles ils ont été conçus.

Si vous désirez obtenir plus de détails concernant ces accessoires, veuillez contacter le centre de service après-vente Makita le plus près.

- Protecteur (jaune, bleu, rouge, transparent)
- Batterie et chargeur Makita authentiques
- Adaptateur de régénération automatique
- Poignée de réglage
- Levier d'interrupteur installé
- Axe complet 12,7
- Récepteur RCV02
- Disque d'installation du logiciel (CD-ROM), sauf pour le modèle BFT041R
- Adaptateur série USB
- Câble RS-232C

Übersicht

1 Roter Teil	8 LED#B1	15 Einstellgriff
2 Knopf	9 LED#B2	16 Gelbe Linie
3 Akku	10 Schraube	17 Druckfeder
4 Ein-Aus-Schalter	11 Winkelkopf	18 Steckschlüssel
5 Drehrichtungsumschalthebel	12 Loch für Einstellgriff	19 Loch
6 Lampe	13 Ring	20 Stift
7 LED#A	14 Skala	

**TECHNISCHE DATEN**

Modell		BFL201R	BFL301R	BFL402R
Anzugsmoment	Hartverbindung	10 – 20 N•m	16 – 30 N•m	25 – 40 N•m
	Weichverbindung	10 – 20 N•m	16 – 30 N•m	25 – 40 N•m
Vierkantantrieb		9,5 mm	9,5 mm	9,5 mm
Leerlaufdrehzahl (min <sup>-1</sup> )		360	260	200
Abmessungen		429 mm x 72 mm x 98 mm	477 mm x 72 mm x 98 mm	477 mm x 72 mm x 98 mm
Nettogewicht		1,7 kg	2,0 kg	2,0 kg
Nennspannung		D.C. 14,4 V		

- Wir behalten uns vor, Änderungen im Zuge der Entwicklung und des technischen Fortschritts ohne vorherige Ankündigung vorzunehmen.
- Hinweis: Die technischen Daten können von Land zu Land abweichen.

**Vorgesehene Verwendung**

Die Maschine ist für das Eindrehen von Schrauben in Holz, Metall und Kunststoff vorgesehen.

**Sicherheitshinweise**

Lesen und beachten Sie diese Hinweise, bevor Sie das Gerät benutzen.

**ZUSÄTZLICHE SICHERHEITSBESTIMMUNGEN**

Lassen Sie sich **NICHT** durch Bequemlichkeit oder Vertrautheit mit dem Produkt (durch wiederholten Gebrauch erworben) von der strikten Einhaltung der Schrauber-Sicherheitsregeln abhalten. Wenn Sie dieses Elektrowerkzeug auf unsichere oder unsachgemäße Weise benutzen, können Sie schwere Verletzungen erleiden.

1. Halten Sie Elektrowerkzeuge nur an den isolierten Griffflächen, wenn Sie Arbeiten ausführen, bei denen die Gefahr besteht, dass verborgene Kabel oder das eigene Kabel kontaktiert werden. Bei Kontakt mit einem stromführenden Kabel werden die freiliegenden Metallteile des Werkzeugs ebenfalls stromführend, so dass der Benutzer einen elektrischen Schlag erleiden kann.
2. Sorgen Sie für sicheren Stand und halten Sie jederzeit Gleichgewicht. Stellen Sie sicher, dass sich bei Einsatz der Maschine an hochgelegenen Arbeitsplätzen keine Personen darunter aufhalten.
3. Halten Sie die Maschine sicher fest.
4. Halten Sie die Hände von rotierenden Teilen fern.

5. Das Einsatzwerkzeug oder das bearbeitete Werkstück nicht unmittelbar nach Beendigung der Arbeit berühren. Sie können sehr heiß sein und Verbrennungen verursachen.

**BEWAHREN SIE DIESE HINWEISE SORGFÄLTIG AUF.**

**WARNUNG:**

**MISSBRAUCH** oder Missachtung der Sicherheitsvorschriften in dieser Anleitung können schwere Verletzungen verursachen.

**WICHTIGE SICHERHEITSVORSCHRIFTEN FÜR AKKU**

1. Lesen Sie vor der Benutzung des Akkus alle Anweisungen und Warnhinweise, die an (1) Ladegerät, (2) Akku und (3) Akkuwerkzeug angebracht sind.
2. Unterlassen Sie ein Zerlegen des Akkus.
3. Falls die Betriebszeit beträchtlich kürzer geworden ist, stellen Sie den Betrieb sofort ein. Andernfalls besteht die Gefahr von Überhitzung, möglichen Verbrennungen und sogar einer Explosion.
4. Falls Elektrolyt in Ihre Augen gelangt, waschen Sie sie mit sauberem Wasser aus, und begeben Sie sich unverzüglich in ärztliche Behandlung. Andernfalls können Sie Ihre Sehkraft verlieren.
5. Der Akku darf nicht kurzgeschlossen werden:
  - (1) Die Kontakte dürfen nicht mit leitfähigem Material berührt werden.
  - (2) Lagern Sie den Akku nicht in einem Behälter zusammen mit anderen Metallgegenständen, wie z. B. Nägel, Münzen usw.

- (3) Setzen Sie den Akku weder Wasser noch Regen aus.

Ein Kurzschluss des Akkus verursacht starken Stromfluss, der Überhitzung, Verbrennungen und einen Defekt zur Folge haben kann.

6. Lagern Sie Maschine und Akku nicht an Orten, an denen die Temperatur 50°C erreichen oder überschreiten kann.
7. Versuchen Sie niemals, den Akku zu verbrennen, selbst wenn er stark beschädigt oder vollkommen verbraucht ist. Der Akku kann im Feuer explodieren.
8. Achten Sie darauf, dass der Akku nicht fallen gelassen oder Stößen ausgesetzt wird.

## **BEWAHREN SIE DIESE HINWEISE SORGFÄLTIG AUF.**

### **Hinweise zur Aufrechterhaltung der maximalen Akku-Nutzungsdauer**

1. Laden Sie den Akku, bevor er vollkommen erschöpft ist.  
Schalten Sie die Maschine stets aus, und laden Sie den Akku, wenn Sie ein Nachlassen der Maschinenleistung feststellen.
2. Unterlassen Sie das erneute Laden eines voll aufgeladenen Akkus. Überladen führt zu einer Verkürzung der Nutzungsdauer des Akkus.
3. Laden Sie den Akku bei Raumtemperatur zwischen 10°C – 40°C. Lassen Sie einen heißen Akku abkühlen, bevor Sie ihn laden.

## **FUNKTIONSBESCHREIBUNG**

### **VORSICHT:**

- Vergewissern Sie sich vor der Durchführung von Einstellungen oder Funktionsprüfungen der Maschine stets, dass die Maschine ausgeschaltet und der Akku abgenommen ist.

### **Anbringen und Abnehmen des Akkus (Abb. 1)**

- Schalten Sie die Maschine stets aus, bevor Sie den Akku anbringen oder abnehmen.
- Ziehen Sie den Akku zum Abnehmen von der Maschine ab, während Sie den Entriegelungsknopf an der Vorderseite verschieben.
- Richten Sie zum Einsetzen des Akkus dessen Führungsfeder auf die Nut im Maschinengehäuse aus, und schieben Sie den Akku hinein. Schieben Sie den Akku stets vollständig ein, bis er mit einem hörbaren Klicken einrastet. Wenn der rote Teil an der Oberseite des Knopfes sichtbar ist, ist der Akku nicht richtig eingerastet. Schieben Sie den Akku vollständig ein, bis der rote Teil verschwindet. Anderenfalls kann er aus der Maschine herausfallen und Sie oder umstehende Personen verletzen.
- Wenden Sie beim Einsetzen des Akkus keine Gewalt an. Falls der Akku nicht reibungslos hineingleitet, ist er nicht richtig ausgerichtet.

### **Schalterfunktion (Abb. 2)**

#### **VORSICHT:**

- Vergewissern Sie sich vor dem Einsetzen des Akkus in die Maschine stets, dass der Ein-Aus-Schalter ordnungsgemäß funktioniert und beim Loslassen in die AUS-Stellung zurückkehrt.

Zum Einschalten der Maschine drücken Sie einfach den Ein-Aus-Schalter. Zum Ausschalten lassen Sie den Ein-Aus-Schalter los.

### **Drehrichtungsumschalterfunktion (Abb. 3)**

#### **VORSICHT:**

- Prüfen Sie stets die Drehrichtung, bevor Sie mit der Arbeit beginnen.
- Betätigen Sie den Drehrichtungsumschalter erst, nachdem die Maschine völlig zum Stillstand gekommen ist. Durch Umschalten der Drehrichtung bei noch laufender Maschine kann die Maschine beschädigt werden.
- Wenn Sie die Maschine nicht benutzen, stellen Sie den Drehrichtungsumschalter stets auf die Neutralstellung.

Diese Maschine besitzt einen Drehrichtungsumschalter. Drücken Sie auf die Seite A des Drehrichtungsumschalters für Rechtsdrehung, und auf die Seite B für Linksdrehung.

In der Neutralstellung des Drehrichtungsumschalters ist der Ein-Aus-Schalter verriegelt.

### **Aufleuchten der Lampen (Abb. 4)**

#### **VORSICHT:**

- Blicken Sie nicht direkt in das Licht oder die Lichtquelle.

Betätigen Sie den Ein-Aus-Schalter, um die Lampe einzuschalten. Die Lampe bleibt erleuchtet, solange der Ein-Aus-Schalter gedrückt gehalten wird. Die Lampe erlischt etwa 10 Sekunden nach dem Loslassen des Ein-Aus-Schalters automatisch.

#### **HINWEIS:**

- Wischen Sie Schmutz auf der Lampenlinse mit einem trockenen Tuch ab. Achten Sie sorgfältig darauf, dass Sie die Lampenlinse nicht verkratzen, weil sich sonst die Lichtstärke verringert.

## LED-Anzeige / Summer

### Für LED#A (Abb. 5)

LED-Anzeige / Summer am Werkzeug zeigen die folgenden Funktionen an.

Zustand von LED-Anzeige/Summer		Funktion	Zustand	Maßnahme
LED-Anzeige	Summer			
Leuchtet auf in Grün → Rot → Blau → Weiß in Folge	Eine Folge sehr kurzer Pieptöne	Überprüfung von LED#A, Leuchte und Summer (bei der ersten Betätigung des Ein-Aus-Schalters nach dem Einsetzen eines Akkus in die Maschine)	Sicherstellen, dass die grüne, rote, blaue, weiße LED aufleuchtet und der Summer ordnungsgemäß ertönt	—
Blinkt langsam in Violett.	Eine Folge langer Pieptöne	Warnung für Akkukapazität	Dies zeigt an, dass der Akku schwach wird und bald ausgetauscht werden sollte.	Den Akku durch einen voll geladenen ersetzen.
Leuchtet in Violett auf	Ein langer Piepton	Überprüfung der Akku-Restkapazität, Autostopp	Diese Funktion wird wirksam, wenn der Akku fast leer ist. Zu diesem Zeitpunkt bleibt die Maschine sofort stehen.	Den Akku durch einen voll geladenen ersetzen.
Leuchtet abwechselnd in Rot und Grün auf	Eine Folge kurzer Pieptöne	Anti-Rückstellung des Steuergerätes	Diese Funktion wird wirksam, wenn aus irgendeinem Grund ein ungewöhnlicher Akkuspannungsabfall auftritt und die Maschine stehen bleibt.	Den Akku durch einen voll geladenen ersetzen.
		Motorausfall	Diese Funktion wird bei einem Motorausfall wirksam.	Bringen Sie die Maschine zu einem autorisierten Makita-Kundendienstzentrum.
Blinkt schnell in Rot.	Eine Folge kurzer Pieptöne	Überhitzung	Diese Funktion wird wirksam, wenn die Temperatur des Steuergerätes oder Motors auf einen hohen Wert steigt und die Maschine stehen bleibt.	Den Akku sofort abnehmen, und die Maschine abkühlen lassen.
Grün (Blau, wenn Satz im Standalone-Modus beendet wird)		Autostopp-Befestigung	Diese Funktion wird wirksam, wenn die Maschine den am PC voreingestellten Anzugmomentbereich erreicht hat und die normale Befestigung beendet ist. (Hinweis)	—
Leuchtet in Rot auf.	Ein langer Piepton	Resultat der Drehmomentbeurteilung: Nicht OK (Hoch)	Diese Funktion wird wirksam, wenn die Maschine den am PC voreingestellten Anzugmomentbereich erreicht hat. (Hinweis)	—
Leuchtet in Gelb auf.	Ein langer Piepton	Resultat der Drehmomentbeurteilung: Nicht OK (Niedrig)	Diese Funktion wird wirksam, wenn die Maschine den am PC voreingestellten Anzugmomentbereich nicht ganz erreicht hat. (Hinweis)	—



Zustand von LED-Anzeige/Summer		Funktion	Zustand	Maßnahme
LED-Anzeige	Summer			
Blinkt abwechselnd in Rot und Gelb.	Ein langer Piepton	Warnung vor unzureichender Befestigung	Die Befestigung wird beendet, wenn der Ein-Aus-Schalter der Maschine vor der Kupplungsaktivierung losgelassen wird.	—
		Doppelanzugserkennung	Diese Funktion wird wirksam, wenn eine bereits angezogene Schraube erneut angezogen wird.	—
		Winkelbeurteilung Nicht OK	Diese Funktion wird wirksam, wenn eine Schraube nicht innerhalb des am PC voreingestellten Winkelbereichs angezogen wird. (Hinweis)	—
		Abfahrvorgang Nicht OK	Diese Funktion wird wirksam, wenn eine Befestigung vor Erreichen des voreingestellten Winkelbereichs beendet wird. (Hinweis)	—
		Drehmomentüberwachung unmöglich	Diese Funktion wird wirksam, wenn keine Drehmomentüberwachung durchführbar ist. (Bei Verwendung von Hartverbindung)	—
Blinkt abwechselnd in Rot und Blau.	Eine Folge kurzer Pieptöne	Unterbrechung (bei Verwendung des Empfängers RCV02)	Funkverbindung ist noch nicht hergestellt	Erforderliche Verbindung herstellen, oder Akku abnehmen, um Vorgang zu unterbrechen.
		Funkverbindungs-ausfall	Diese Funktion wird wirksam, wenn ein Funkverbindungs-ausfall auftritt.	Bringen Sie die Maschine zu einem autorisierten Makita-Kundendienstzentrum.

Hinweis: Diese Werte können auf dem PC geändert werden. Für Einzelheiten in der Gebrauchsanleitung des SRCV02 nachschlagen.

#### Für LED#B (Abb. 6)

LED-Anzeige / Summer am Werkzeug zeigen die folgenden Funktionen an.

Beschreibung	Angezeigte Farbe	Anzeige und Zustand			
LED#B (1)	Grün	1	leuchtet auf	wenn die Maschine mit einem Empfänger verbunden ist.	
		2	blinkt	wenn die Maschine im Begriff steht, mit einem Empfänger verbunden zu werden. (Hinweis 1)	
		3	erloschen	einer der folgenden Zustände	
				3-1	wenn der Akku von der Maschine abgenommen ist.
				3-2	wenn die Maschine länger als 15 Minuten mit eingesetztem Akku unbenutzt bleibt.
3-3	wenn sich die Maschine nicht innerhalb des Übertragungsbereichs befindet. (Hinweis 2)				
LED#B (2)	Rot	1	leuchtet auf	wenn die gespeicherte Datenzahl der Maschine die speicherbare Datenzahl erreicht.	
		2	blinkt	wenn die gespeicherte Datenzahl der Maschine der speicherbaren Datenzahl entspricht oder kleiner ist.	
		3	erloschen	wenn keine zu einem Empfänger übertragbaren Daten in der Maschine gespeichert sind.	

Hinweis 1: Schlagen Sie vor dem Anschluss des Empfängers (Zubehör) RCV02 in dessen Betriebsanleitung nach.

Hinweis 2: Kommunikationse Entfernung: maximal 10 m (je nach der Arbeitsumgebung bis zu 10 m variabel)

#### VORSICHT:

- Vergewissern Sie sich, dass LED#B (2) nicht aufleuchtet, bevor der Akku von der Maschine abgenommen wird. Wird der Akku abgenommen, während LED#B (2) leuchtet oder blinkt, werden die in der Maschine gespeicherten Daten gelöscht.

#### Einstellen des Anzugsmoments (Abb. 7, 8 u 9)

Wenn Sie Maschinenschrauben, Holzschrauben, Sechskantschrauben usw. mit vorgegebenem Drehmoment anziehen wollen, stellen Sie das Anzugsmoment wie folgt ein.

1. Nehmen Sie zuerst den Akku von der Maschine ab.
2. Lösen und entfernen Sie die Schraube, die den Ring sichert.  
(Nur für BFL201R die zwei Schrauben lösen, die den Ring sichert)
3. Drehen Sie den Ring am Vorderende der Maschine von Hand, so dass ein Loch unter dem Ring sichtbar wird.
4. Bringen Sie den Akku an, und drücken Sie den Ein-Aus-Schalter. Lassen Sie den Schalter los, so dass sich der Einstellring dreht und im Loch sichtbar wird. Nehmen Sie dann den Akku ab.
5. Benutzen Sie den gesonderten Einstellknopf zur Einstellung des Anzugsmoments. Führen Sie den Stift des Einstellknopfes in das Loch an der Vorderseite des Werkzeugs ein. Drehen Sie dann den Einstellknopf im Uhrzeigersinn, um das Anzugsmoment zu erhöhen, oder entgegen dem Uhrzeigersinn, um das Anzugsmoment zu verringern.
6. Richten Sie die Kante des Einstellrings auf die gewünschte Zahl der Anzugsmomentskala aus.
7. Setzen Sie den Akku ein, und vergewissern Sie sich mit Hilfe eines Anzugsmomentprüfers, dass das korrekte Anzugsmoment eingestellt worden ist.
8. Drehen Sie den Ring so, dass das Loch für den Einstellgriff verdeckt ist. Halten Sie dann den Ring fest, und sichern Sie ihn mit der Schraube.

#### HINWEIS:

- Die Nummern auf der Anzugsmomentskala dienen lediglich als Anhaltspunkte für die Einstellung des gewünschten Anzugsmoments.

#### MONTAGE

##### VORSICHT:

- Vergewissern Sie sich vor der Ausführung von Arbeiten an der Maschine stets, dass die Maschine ausgeschaltet und der Akku abgenommen ist.

#### Wahl des korrekten Steckschlüsseinsatzes

Je nach Anwendung sind für manche Modelle unterschiedliche Steckschlüsseinsätze erhältlich. Wählen und installieren Sie den korrekten Steckschlüsseinsatz für Ihre Anwendung.

#### Anbringen und Abnehmen des Steckschlüsseinsatzes (Abb. 10)

Drücken Sie den Stift am Antriebsvierkant mit der einen Hand hinein, und schieben Sie den Steckschlüsseinsatz zum Anbringen mit der anderen Hand auf den Antriebsvierkant der Maschine, bis er einrastet. Zum Abnehmen ziehen Sie den Steckschlüsseinsatz einfach ab, während Sie den Stift am Antriebsvierkant hineindrücken.

#### BETRIEB

Halten Sie das Werkzeug mit festem Griff, und setzen Sie den Steckschlüsseinsatz auf die Schraube oder Mutter. Schalten Sie dann das Werkzeug ein. Wenn die Kupplung ausrückt, bleibt der Motor automatisch stehen. Lassen Sie dann den Ein-Aus-Schalter los.

##### HINWEIS:

- Halten Sie das Werkzeug so, dass sein Vierkantantrieb gerade auf die Schraube oder Mutter gerichtet ist, weil anderenfalls die Schraube oder Mutter beschädigt wird.

#### Grenzen der Anzugskapazität

Benutzen Sie die Maschine innerhalb des Drehwinkelbereichs von 30° – 360°. Wird die Maschine unterhalb der Untergrenze dieses Bereichs benutzt, kann das Anzugsmoment nicht erkannt werden (LED#A blinkt abwechselnd in Rot und Gelb). Wird die Maschine oberhalb der Obergrenze dieses Bereichs benutzt, funktioniert die Kupplung nicht. Außerdem kann die Maschine kein ausreichendes Anzugsmoment entwickeln (LED#A blinkt langsam in Violett oder leuchtet in Violett auf).

##### HINWEIS:

- Unter dem Drehwinkel versteht man den Winkel, um den sich eine Schraube dreht, wenn die Maschine 50 bis 100 % des gewünschten Drehmoments erreicht.
- Bei Verwendung eines an niedrige Temperaturen angepassten Akkus kann manchmal eine Akkukapazitätswarnung durch Warnlampe und Summer ausgelöst werden, wodurch die Maschine sofort angehalten wird. In diesem Fall liegt der Anzugskapazitätsbereich möglicherweise unter den oben angegebenen Werten, selbst wenn ein voll aufgeladener Akku verwendet wird.

#### WARTUNG

##### VORSICHT:

- Vor Arbeiten am Gerät vergewissern Sie sich, dass sich der Schalter in der "OFF"-Position befindet und der Akku aus dem Gerät entfernt ist.

Um die SICHERHEIT und ZUVERLÄSSIGKEIT dieses Produkts zu gewährleisten, sollten Reparaturen und andere Wartungs- oder Einstellarbeiten nur von Makita-Vertragswerkstätten oder Makita-Kundendienstzentren unter ausschließlicher Verwendung von Makita-Originalersatzteilen ausgeführt werden.

## ZUBEHÖR

### VORSICHT:

- Die folgenden Zubehörteile oder Vorrichtungen werden für den Einsatz mit der in dieser Anleitung beschriebenen Makita-Maschine empfohlen. Die Verwendung anderer Zubehörteile oder Vorrichtungen kann eine Verletzungsgefahr darstellen. Verwenden Sie Zubehörteile oder Vorrichtungen nur für ihren vorgesehenen Zweck.

Wenn Sie weitere Einzelheiten bezüglich dieser Zubehörteile benötigen, wenden Sie sich bitte an Ihre Makita-Kundendienststelle.

- Schutzkappe (gelb, blau, rot, klar)
- Original-Makita-Akku und -Ladegerät
- Automatischer Auffrischadapter
- Einstellknopf
- Schalthebelsatz
- Spindel komplett 12,7
- Empfänger RCV02
- Software-Installationsdisc (CD-ROM) außer Modell BFT041R
- USB-Serial-Adapter
- RS-232C-Kabel

### Visione generale

1	Parte rossa	8	LED#B1	14	Scala
2	Bottone	9	LED#B2	15	Impugnatura di regolazione
3	Batteria	10	Vite	16	Linea gialla
4	Interruttore	11	Testa angolare	17	Molla di compressione
5	Leva interruttore di inversione	12	Foro impugnatura di regolazione	18	Bussola
6	Lampadina	13	Anello	19	Foro
7	LED#A			20	Perno

### DATI TECNICI

Modello		BFL201R	BFL301R	BFL402R
Coppia di serraggio	Giunto duro	10 – 20 N•m	16 – 30 N•m	25 – 40 N•m
	Giunto morbido	10 – 20 N•m	16 – 30 N•m	25 – 40 N•m
Trasmissione quadra		9,5 mm	9,5 mm	9,5 mm
Velocità senza carico (min <sup>-1</sup> )		360	260	200
Dimensioni		429 mm x 72 mm x 98 mm	477 mm x 72 mm x 98 mm	477 mm x 72 mm x 98 mm
Peso netto		1,7 kg	2,0 kg	2,0 kg
Tensione nominale		C.c. 14,4 V		

- Per il nostro programma di ricerca e sviluppo continui, i dati tecnici sono soggetti a modifiche senza preavviso.
- Nota: I dati tecnici potrebbero differire a seconda del paese di destinazione del modello.

#### Utilizzo prefissato

L'utensile serve ad avvitare nel legno, metallo e plastica.

#### Consigli per la sicurezza

Per la vostra sicurezza, riferitevi alle accluse istruzioni per la sicurezza.

### ULTERIORI REGOLE DI SICUREZZA PER L'UTENSILE

**NON lasciare che la comodità o la familiarità con il prodotto (acquisita con l'uso ripetuto) sostituisca la stretta osservanza delle norme di sicurezza per l'avvitatore. Se si usa questo utensile elettrico in modo insicuro o sbagliato, c'è pericolo di seri infortuni.**

1. Tenere gli utensili elettrici per le superfici di presa isolate quando si eseguono operazioni durante le quali l'utensile di taglio potrebbe venire a contatto con fili elettrici nascosti o con il suo stesso cavo di alimentazione.

Il contatto con un filo "sotto tensione" mette "sotto tensione" le parti metalliche esposte dell'utensile causando una scossa all'operatore.

2. Appoggiare sempre saldamente i piedi a terra. Accertarsi che non ci sia nessuno sotto quando si lavora su un posto alto.
3. Tenere saldamente l'utensile.
4. Tenere le mani lontane dalle parti rotanti.
5. Non toccare la punta oppure il pezzo sotto lavorazione subito dopo la foratura, potrebbero essere estremamente caldi e causare ustioni alla pelle.

### CONSERVATE QUESTE ISTRUZIONI.

#### ATTENZIONE:

**L'utilizzo SBAGLIATO o la mancata osservanza delle norme di sicurezza di questo manuale di istruzioni potrebbero causare serie lesioni personali.**

### ISTRUZIONI IMPORTANTI DI SICUREZZA PER LA CARTUCCIA DELLA BATTERIA

1. Prima di usare la cartuccia della batteria, leggere tutte le istruzioni e le avvertenze sul (1) carica-batteria, sulla (2) batteria e sul (3) prodotto che utilizza la batteria.
2. Non smontare la cartuccia della batteria.
3. Se il tempo di utilizzo è diventato molto corto, smettere immediatamente di usare l'utensile. Può risultare un rischio di surriscaldamento, possibili ustioni e addirittura un'esplosione.
4. Se l'elettrolita va negli occhi, risciacquarli con acqua pulita e rivolgersi immediatamente ad un medico. Può risultare la perdita della vista.
5. Non cortocircuitare la cartuccia della batteria:
  - (1) Non toccare i terminali con qualche metallo conduttivo.
  - (2) Evitare di conservare la cartuccia della batteria in un contenitore con altri oggetti metallici come i chiodi, le monete, ecc.
  - (3) Non esporre la cartuccia della batteria all'acqua o alla pioggia. Un cortocircuito della batteria può causare un grande flusso di corrente, il surriscaldamento, possibili ustioni e addirittura un guasto.
6. Non conservare l'utensile e la cartuccia della batteria in luoghi in cui la temperatura può raggiungere o superare i 50°C.
7. Non incenerire la cartuccia della batteria anche se è gravemente danneggiata o è completamente esaurita. La cartuccia della batteria può esplodere e provocare un incendio.

8. Fare attenzione a non lasciar cadere o a colpire la batteria.

## CONSERVARE QUESTE ISTRUZIONI.

### Suggerimenti per mantenere la durata massima della batteria

1. Caricare la cartuccia della batteria prima che si scarichi completamente.  
Smettere sempre di usare l'utensile e caricare la cartuccia della batteria quando si nota che la potenza dell'utensile è diminuita.
2. Non ricaricare mai una cartuccia della batteria completamente carica. La sovraccarica riduce la durata della batteria.
3. Caricare la cartuccia della batteria con la temperatura ambiente da 10°C a 40°C. Lasciar raffreddare una cartuccia della batteria calda prima di caricarla.

## DESCRIZIONE FUNZIONALE

### ATTENZIONE:

- Accertarsi sempre che l'utensile sia spento e che la batteria sia stata rimossa prima di regolare o di controllare il funzionamento dell'utensile.

### Installazione o rimozione della batteria (Fig. 1)

- Spegnerne sempre l'utensile prima di inserire o di rimuovere la batteria.
- Per rimuovere la batteria, estrarla dall'utensile spingendo il bottone sulla parte anteriore della batteria.
- Per inserire la batteria, allineare la linguetta della batteria con la scanalatura dell'alloggiamento e spingerla in posizione. Inserirli sempre completamente finché si blocca in posizione con un piccolo scatto. Se la parte rossa sul lato superiore del bottone è visibile, vuol dire che essa non è fissata completamente. Inserirli completamente finché la parte rossa non è più visibile. In caso contrario, potrebbe cadere accidentalmente fuori dall'utensile causando lesioni all'operatore o a chi gli è vicino.
- Non usare forza per inserire la batteria. Se essa non entra facilmente, vuol dire che non viene inserita correttamente.

### Azionamento dell'interruttore (Fig. 2)

#### ATTENZIONE:

- Prima di inserire la batteria nell'utensile, controllare sempre che l'interruttore funzioni correttamente e che torni sulla posizione "OFF" quando viene rilasciato.

Per avviare l'utensile, schiacciare semplicemente l'interruttore. Rilasciare l'interruttore per fermarlo.

### Azionamento dell'interruttore di inversione (Fig. 3)

#### ATTENZIONE:

- Controllare sempre la direzione di rotazione prima dell'utilizzo.
- Usare l'interruttore di inversione soltanto dopo che l'utensile si è arrestato completamente. Cambiando la direzione di rotazione prima dell'arresto dell'utensile, lo si potrebbe danneggiare.
- Quando non si usa l'utensile, regolare sempre la leva dell'interruttore di inversione sulla posizione neutra.

Questo utensile è dotato di un interruttore di inversione per cambiare la direzione di rotazione. Schiacciare la leva dell'interruttore di inversione dal lato A per la rotazione in senso orario, e dal lato B per la rotazione in senso antiorario.

Quando la leva dell'interruttore di inversione è sulla posizione neutra, l'interruttore non può essere schiacciato.

### Accensione della lampadina (Fig. 4)

#### ATTENZIONE:

- Non guardare direttamente la lampadina o la sorgente della luce.

Schiacciare l'interruttore per accendere la lampadina. La lampadina rimane accesa mentre l'interruttore è schiacciato. La lampadina si spegne automaticamente 10 secondi dopo che l'interruttore è stato rilasciato.

#### NOTA:

- Usare un panno asciutto per pulire la lente della lampadina. Fare attenzione a non graffiare la lente della lampadina, perché ciò potrebbe ridurre l'illuminazione.

## Indicatore a LED/cicalino

### LED#A (Fig. 5)

L'indicatore a LED/cicalino sull'utensile mostra le funzioni seguenti.

Stato indicatore a LED/cicalino		Funzione	Stato	Azione necessaria
Indicatore a LED	Cicalino			
Si accende Verde → Rosso → Blu → Bianco in successione	Una serie di segnali acustici molto corti	Controllare il LED#A, la luce e il cicalino (quando si schiaccia l'interruttore per la prima volta dopo l'installazione della batteria nell'utensile)	Accertarsi che il LED verde, rosso, blu, bianco si accenda e che il cicalino suoni correttamente.	—
Lampeggia lentamente porpora.	Una serie di lunghi segnali acustici	Avvertimento della capacità della batteria	Indica il tempo appropriato per la sostituzione della batteria quando la sua carica diventa bassa.	Sostituire la batteria con una completamente carica.
Si accende porpora	Un lungo segnale acustico	Controllo della capacità restante della batteria, arresto automatico	Questa funzione si attiva quando la corrente della batteria è quasi completamente finita. A questo punto, l'utensile si arresta immediatamente.	Sostituire la batteria con una completamente carica.
Si accende alternativamente rosso e verde	Una serie di corti segnali acustici	Anti-ripristino del controllore	Questa funzione si attiva quando, per un qualche motivo, si verifica un calo anormale della tensione della batteria, e l'utensile si arresta.	Sostituire la batteria con una completamente carica.
		Guasto del motore	Questa funzione si attiva quando il motore si guasta.	Portare l'utensile in un centro di assistenza Makita autorizzato.
Lampeggia rapidamente rosso.	Una serie di corti segnali acustici	Surriscaldamento	Questa funzione si attiva quando la temperatura del controllore o motore diventa molto alta, e l'utensile si arresta.	Rimuovere immediatamente la batteria e lasciar raffreddare l'utensile.
Verde (blu al completamento del batch nella modalità autonoma)		Serraggio con arresto automatico	Questa funzione si attiva quando l'utensile entra nella gamma della coppia di serraggio preselezionata con il personal computer e la normale coppia di serraggio è stata completata. (Nota)	—
Si accende rosso.	Un lungo segnale acustico	Risultato del giudizio di coppia: NON OK (Alto)	Questa funzione si attiva quando l'utensile supera la gamma della coppia di serraggio preselezionata con il personal computer. (Nota)	—
Si accende giallo.	Un lungo segnale acustico	Risultato del giudizio di coppia: NON OK (Basso)	Questa funzione si attiva quando l'utensile non raggiunge la gamma della coppia di serraggio preselezionata con il personal computer. (Nota)	—

Stato indicatore a LED/cicalino		Funzione	Stato	Azione necessaria
Indicatore a LED	Cicalino			
Lampeggia alternativamente rosso e giallo.	Un lungo segnale acustico	Avvertimento riguardo al serraggio insufficiente	Il serraggio non è completo se si rilascia l'interruttore dell'utensile prima dell'attivazione della frizione.	—
		Rilevamento del doppio avvitemento	Questa funzione si attiva quando si stringe di nuovo una vite avvitata.	—
		Giudizio dell'angolo NON OK	Questa funzione si attiva se una vite non viene avvitata entro la gamma angolare preselezionata con il personal computer. (Nota)	—
		Operazione incompleta NON OK	Questa funzione si attiva se il serraggio finisce prima di raggiungere la gamma angolare preselezionata con il personal computer. (Nota)	—
		Monitoraggio della coppia impossibile	Questa funzione si attiva se il monitoraggio della coppia non può essere eseguito. (Usando il giunto duro)	—
Lampeggia alternativamente rosso e blu.	Una serie di corti segnali acustici	Disconnessione (usando il ricevitore RCV02)	Comunicazione radio non ancora stabilita	Finire la connessione necessaria o rimuovere una batteria per terminare la comunicazione.
		Comunicazione radio non riuscita	Questa funzione si attiva se la comunicazione radio non è riuscita.	Portare l'utensile in un centro di assistenza Makita autorizzato.

Nota: Questi valori possono essere cambiati con il personal computer. Per i dettagli, vedere il manuale di istruzioni dell'SRCV02.

#### LED#B (Fig. 6)

L'indicatore a LED/cicalino sull'utensile mostra le funzioni seguenti.

Descrizione	Colore visionato	Veduta e stato			
LED#B (1)	Verde	1	si accende	quando si collega l'utensile a un ricevitore.	
		2	lampeggia	quando l'utensile è sul punto di essere collegato a un ricevitore. (Nota 1)	
		3	si spegne		uno degli stati sotto
				3-1	quando si rimuove la batteria dall'utensile.
				3-2	quando l'utensile gira a vuoto per più di 15 minuti con una batteria installata.
3-3	quando l'utensile non è entro la distanza di trasmissione. (Nota 2)				
LED#B (2)	Rosso	1	si accende	quando il numero di dati memorizzati nell'utensile raggiunge il numero di dati memorizzabili.	
		2	lampeggia	quando il numero di dati memorizzati nell'utensile è uguale o inferiore al numero di dati memorizzabili.	
		3	si spegne	quando l'utensile non ha dati memorizzati da trasmettere a un ricevitore.	

Nota 1: Per il collegamento, vedere il manuale di istruzioni del ricevitore RCV02 (in dotazione).

Nota 2: Distanza di comunicazione: 10 m o meno (variabile fino a 10 m a seconda dell'ambiente operativo)

#### PRECAUZIONE:

- Accertarsi che il LED#B (2) non sia acceso prima di rimuovere la batteria dall'utensile. Se si rimuove la batteria mentre il LED#B (2) è acceso o lampeggia, i dati memorizzati nell'utensile si cancellano.

### Regolazione della coppia di serraggio (Fig. 7, 8 e 9)

Per avvitare le viti comuni, viti per legno, bulloni esagonali, ecc., regolare la coppia di serraggio come segue.

1. Rimuovere per prima cosa la batteria dall'utensile.
2. Allentare e rimuovere la vite che fissa l'anello.  
(Allentare le due viti che fissano l'anello soltanto con il modello BFL201R)
3. Ruotare a mano l'anello sulla parte anteriore dell'utensile in modo da scoprire il foro sotto l'anello.
4. Rimettere a posto la batteria e schiacciare l'interruttore. Rilasciarlo in modo che l'anello di regolazione ruoti e diventi visibile nel foro. Rimuovere poi la batteria.
5. Usare una impugnatura di regolazione opzionale per regolare la coppia di serraggio. Inserire il perno dell'impugnatura di regolazione nel foro sulla parte anteriore dell'utensile. Girare poi l'impugnatura di regolazione in senso orario per regolare una coppia di serraggio maggiore, e in senso antiorario per una coppia di serraggio minore.
6. Allineare il bordo dell'anello di regolazione con il numero desiderato sulla scala della coppia di serraggio.
7. Inserire la batteria e accertarsi che sia stata regolata una coppia di serraggio usando un tester della coppia di serraggio.
8. Ruotare l'anello in modo che il foro di regolazione dell'impugnatura sia coperto, tenere fermo l'anello e fissarlo poi con la vite.

#### NOTA:

- I numeri sulla scala della coppia di serraggio sono una guida per regolare la coppia di serraggio desiderata.

### MONTAGGIO

#### ATTENZIONE:

- Accertarsi sempre che l'utensile sia spento e che la batteria sia stata rimossa prima di qualsiasi intervento sull'utensile.

#### Selezione della bussola corretta

Per alcuni modelli ci sono tipi diversi di bussole, a seconda dell'applicazione. Scegliere e installare la bussola adatta all'applicazione.

#### Installazione o rimozione della bussola (Fig. 10)

Per installare la bussola, spingerla con una mano sul rotore quadrato dell'utensile schiacciando con l'altra mano il perno sul rotore quadrato finché non si blocca in posizione. Per rimuovere la bussola, tirarla semplicemente via schiacciando il perno sul rotore quadrato.

### FUNZIONAMENTO

Tenere saldamente l'utensile e mettere la bussola sopra il bullone o dado. Accendere poi l'utensile. Quando la frizione interviene, il motore si arresta automaticamente. Rilasciare allora l'interruttore.

#### NOTA:

- Tenere l'utensile con il suo cacciavite quadrato puntato diritto sul bullone o dado, perché altrimenti si potrebbe danneggiare il bullone o il dado.

#### Limiti della capacità di serraggio

Usare l'utensile entro la gamma dell'angolo di rivoluzione di 30° - 360°. Se si usa l'utensile sotto il limite inferiore di questa gamma, la coppia non può essere rilevata (il LED#A lampeggia alternativamente rosso e giallo). Se si usa l'utensile oltre il limite superiore di questa gamma, la frizione non funziona. E l'utensile non può sviluppare una coppia di serraggio sufficiente (il LED#A lampeggia lentamente porpora o si accende porpora).

#### NOTA:

- Per angolo di rivoluzione si intende l'angolo di rotazione della vite/bullone quando l'utensile raggiunge il 100% dal 50% della coppia desiderata.
- L'impiego di una batteria condizionata a bassa temperatura potrebbe a volte dare un avvertimento di capacità della batteria con una spia e un cicalino che causa l'arresto immediato dell'utensile. In tal caso, la gamma della capacità di serraggio potrebbe essere inferiore a quelle mostrate sopra, anche se si usa una batteria carica.

### MANUTENZIONE

#### ATTENZIONE:

- Prima di cercare di eseguire l'ispezione o la manutenzione, assicuratevi sempre che essa sia spenta e che la batteria sia rimossa.

Per preservare la sicurezza e l'affidabilità del prodotto, le riparazioni, la manutenzione o la regolazione devono essere eseguite da un Centro Assistenza Makita autorizzato usando sempre ricambi Makita.

#### ACCESSORI

#### ATTENZIONE:

- Per l'utensile specificato in questo manuale, si consigliano questi accessori o ricambi. L'utilizzo di altri accessori o ricambi può costituire un pericolo. Usare soltanto gli accessori o ricambi specificati per il loro utilizzo.

Per maggiori dettagli e l'assistenza, rivolgersi al Centro Assistenza Makita locale.

- Protettore (giallo, blu, rosso, cancellato)
- Batteria e caricatore Makita genuini
- Alimentatore automatico di rigenerazione
- Impugnatura di regolazione
- Gruppo leva interruttore
- Mandrino completo 12,7
- Ricevitore RCV02
- Disco di installazione del software (CD-ROM) eccettuato il modello BFT041R
- Adattatore seriale USB
- Cavo RS-232C



**Verklaring van algemene gegevens**

1 Rood gedeelte	8 LED#B1	14 Schaal
2 Knop	9 LED#B2	15 Instelgreep
3 Accu	10 Schroef	16 Gele streep
4 Aan/uit trekschakelaar	11 Haakse kop	17 Drukveer
5 Omkeerschakelaar	12 Bevestigingsgat voor instelgreep	18 Sok
6 Lampje	13 Ring	19 Opening
7 LED#A		20 Pen

**TECHNISCHE GEGEVENS**

Model		BFL201R	BFL301R	BFL402R
Aandraaikoppel	Harde verbinding	10 – 20 N•m	16 – 30 N•m	25 – 40 N•m
	Zachte verbinding	10 – 20 N•m	16 – 30 N•m	25 – 40 N•m
Vierkant		9,5 mm	9,5 mm	9,5 mm
Toerental onbelast (min <sup>-1</sup> )		360	260	200
Afmetingen		429 mm x 72 mm x 98 mm	477 mm x 72 mm x 98 mm	477 mm x 72 mm x 98 mm
Netto gewicht		1,7 kg	2,0 kg	2,0 kg
Nominale spanning		D.C. 14,4 V		

- In verband met ononderbroken research en ontwikkeling behouden wij ons het recht voor bovenstaande technische gegevens te wijzigen zonder voorafgaande kennisgeving.
- Opmerking: De technische gegevens kunnen van land tot land verschillen.

**Doeleinden van gebruik**

Dit gereedschap is bedoeld voor het indraaien van schroeven in hout, metaal en plastic.

**Veiligheidswenken**

Voor uw veiligheid dient u de bijgevoegde Veiligheidsvoorschriften nauwkeurig op te volgen.

**BIJGEVOEGDE VEILIGHEIDSVOORSCHRIFTEN VOOR HET GEREEDSCHAP**

Laat u NIET misleiden door een vals gevoel van comfort en bekendheid met het gereedschap (na veelvuldig gebruik) en neem alle veiligheidsvoorschriften van de schroefmachine altijd strikt in acht. Bij onveilig of verkeerd gebruik van het elektrisch gereedschap, bestaat de kans op ernstig persoonlijk letsel.

1. Houd elektrisch gereedschap vast aan het geïsoleerde oppervlak van de handgrepen wanneer u werkt op plaatsen waar het snijgereedschap met verborgen bedrading of zijn eigen snoer in aanraking kan komen.  
Door contact met onder spanning staande draden, zullen de niet-geïsoleerde metalen delen van het gereedschap onder spanning komen te staan zodat de gebruiker een elektrische schok kan krijgen.
2. Zorg er altijd voor dat u stevige steun voor de voeten hebt. Zorg ervoor dat niemand zich onder het gereedschap bevindt wanneer u dit op hoge plaatsen gebruikt.

3. Houd het gereedschap goed vast.
4. Houd uw handen uit de buurt van draaiende onderdelen.
5. Raak onmiddellijk na het inschroeven de bit niet aan, aangezien deze ontzettend heet kan zijn en brandwonden kan veroorzaken.

**BEWAAR DEZE VOORSCHRIFTEN.**

**WAARSCHUWING:**  
VERKEERD GEBRUIK of het niet naleven van de veiligheidsvoorschriften in deze gebruiksaanwijzing kan leiden tot ernstige persoonlijke verwonding.

**BELANGRIJKE VEILIGHEIDSVOORSCHRIFTEN VOOR ACCU**

1. Lees alle voorschriften en waarschuwingen op (1) de acculader, (2) de accu, en (3) het product waarvoor de accu wordt gebruikt, aandachtig door alvorens de acculader in gebruik te nemen.
2. Neem de accu niet uit elkaar.
3. Als de gebruikstijd van een opgeladen accu aanzienlijk korter is geworden, moet u het gebruik ervan onmiddellijk stopzetten. Voortgezet gebruik kan oververhitting, brandwonden en zelfs een ontploffing veroorzaken.
4. Als er elektrolyt in uw ogen is terechtgekomen, spoel dan uw ogen met schoon water en roep onmiddellijk de hulp van een dokter in. Elektrolyt in de ogen kan blindheid veroorzaken.
5. Voorkom kortsluiting van de accu:
  - (1) Raak de accuklemmen nooit aan met een geleidend materiaal.
  - (2) Bewaar de accu niet in een bak waarin andere metalen voorwerpen zoals spijkers, munten e.d. worden bewaard.

**(3) Stel de accu niet bloot aan water of regen.**

Kortsluiting van de accu kan oorzaak zijn van een grote stroomafgifte, oververhitting, brandwonden, en zelfs defecten.

- 6. Bewaar het gereedschap en de accu niet op plaatsen waar de temperatuur kan oplopen tot 50°C of hoger.**
- 7. Werp de accu nooit in het vuur, ook niet wanneer hij zwaar beschadigd of volledig versleten is. De accu kan namelijk ontploffen in het vuur.**
- 8. Wees voorzichtig dat u de accu niet laat vallen en hem niet blootstelt aan schokken of stoten.**

**BEWAAR DEZE VOORSCHRIFTEN.**

**Tips voor een maximale levensduur van de accu**

- 1. Laad de accu op voordat hij volledig ontladen is. Stop het gebruik van het gereedschap en laad de accu op telkens wanneer u vaststelt dat het vermogen van het gereedschap is afgenomen.**
- 2. Laad een volledig opgeladen accu nooit opnieuw op. Als u de accu te veel oplaadt, zal hij minder lang meegaan.**
- 3. Laad de accu op bij een kamertemperatuur tussen 10°C en 40°C. Laat een warme accu afkoelen alvorens hem op te laden.**

**BESCHRIJVING VAN DE FUNCTIES**

**LET OP:**

- Zorg altijd dat het gereedschap is uitgeschakeld en de accu ervan is verwijderd alvorens de functies op het gereedschap af te stellen of te controleren.

**Installeren of verwijderen van de accu (Fig. 1)**

- Schakel het gereedschap altijd uit alvorens de accu te installeren of te verwijderen.
- Om de accu te verwijderen, haalt u deze uit het gereedschap terwijl u de knop op de voorkant van de accu verschuift.
- Om de accu te installeren, doet u de tong op de accu overeenkomen met de groef in het huis van het gereedschap, en dan schuift u de accu erin. Schuif de accu zo ver mogelijk erin totdat deze op zijn plaats vastklikt. Als het rode gedeelte op de bovenkant van de knop nog zichtbaar is, zit de accu niet volledig erin. Schuif hem volledig erin totdat het rode gedeelte niet meer zichtbaar is. Als u dit niet doet, kan de accu per ongeluk eruit vallen en uzelf of andere personen in uw omgeving verwonden.
- Als de accu moeilijk in de houder gaat, moet u niet proberen om hem met geweld erin te duwen. Als de accu er niet gemakkelijk ingaat, betekent dit dat u hem niet op de juiste wijze erin steekt.

**Werking van de trekschakelaar (Fig. 2)**

**LET OP:**

- Alvorens de accu in het gereedschap te plaatsen, moet u altijd controleren of de trekschakelaar juist werkt en bij het loslaten naar de "OFF" positie terugkeert.

Om het gereedschap te starten drukt u gewoon de trekschakelaar in. Laat de trekschakelaar los om het gereedschap te stoppen.

**Werking van de omkeerschakelaar (Fig. 3)**

**LET OP:**

- Controleer altijd de draairichting alvorens het gereedschap te gebruiken.
- Verander de stand van de omkeerschakelaar alleen nadat het gereedschap volledig tot stilstand is gekomen. Indien u de draairichting verandert terwijl de schroefbit nog draait, kan het gereedschap beschadigd raken.
- Zet de omkeerschakelaar altijd in de neutrale stand wanneer het gereedschap niet wordt gebruikt.

Dit gereedschap heeft een omkeerschakelaar voor het veranderen van de draairichting. Druk de omkeerschakelaar in vanaf zijde A voor rechtse draairichting, en vanaf zijde B voor linkse draairichting.

Wanneer de omkeerschakelaar in de neutrale stand staat, kan de trekschakelaar niet worden ingedrukt.

**Aanzetten van de lamp (Fig. 4)**

**LET OP:**

- Kijk niet direct in het licht van de lamp.

Druk de trekschakelaar in om de lamp aan te zetten. De lamp blijft branden zolang als u de trekschakelaar ingedrukt houdt. De lamp gaat automatisch uit 10 seconden na het loslaten van de trekschakelaar.

**OPMERKING:**

- Gebruik een droge doek om vuil op de lamplens eraf te vegen. Pas op dat u geen krassen maakt op de lamplens, omdat de verlichtingssterkte daardoor kan verminderen.

## LED-indicator/Pieptoon

### Voor LED#A (Fig. 5)

De LED-indicator/Pieptoon van het gereedschap geven de volgende functies aan.

Status van LED-indicator/pieptoon		Functie	Status	Te nemen maatregel
LED-indicator	Pieptoon			
Brandt achtereenvolgens Groen → Rood → Blauw → Wit	Een serie zeer korte pieptonen	Controleer LED#A, de kleur en de pieptoon (wanneer u de aan/uit-trekschakelaar voor het eerst intrekt nadat u een accu in het gereedschap hebt gestoken).	Controleer dat de LED groen, rood, blauw en wit brandt en de pieptoon klinkt.	—
Knippert langzaam paars.	Een reeks lange pieptonen	Waarschuwing wegens lage acculading	Dit geeft het juiste tijdstip aan om de accu te vervangen wanneer de accu bijna leeg is.	Vervang de accu door een volledig opgeladen accu.
Brandt paars	Een lange pieptoon	Controleert de resterende acculading, Autostop	Deze functie treedt in werking wanneer de acculading bijna opgebruikt is. Op dat moment stopt het gereedschap onmiddellijk.	Vervang de accu door een volledig opgeladen accu.
Brandt beurtelings rood en groen	Een serie korte pieptonen	Anti-terugstelling van controller	Deze functie treedt in werking wanneer om een of andere reden een abnormale terugval in accuspanning optreedt waarna het gereedschap stopt.	Vervang de accu door een volledig opgeladen accu.
		Storing in de motor	Deze functie treedt in werking wanneer de motor defect is.	Ga met het gereedschap naar een erkend Makita-servicecentrum.
Knippert snel rood.	Een serie korte pieptonen	Oververhitting	Deze functie treedt in werking wanneer de temperatuur van de motor of controller zeer hoog wordt, waarna het gereedschap stopt.	Verwijder de accu onmiddellijk uit het gereedschap en laat het gereedschap afkoelen.
Groen (blauw wanneer een batch klaar is in de gereedschap-alleen-functie)		Auto-stop bevestigen	Deze functie treedt in werking wanneer het gereedschap binnen het aandraaikoppelbereik werkt dat vooraf op de computer is ingesteld en normaal bevestigen is voltooid. (Opmerking)	—
Brandt rood.	Een lange pieptoon	Resultaat van koppelbeoordeling: NOK (hoog)	Deze functie treedt in werking wanneer het gereedschap boven het aandraaikoppelbereik werkt dat vooraf op de computer is ingesteld. (Opmerking)	—
Brandt geel.	Een lange pieptoon	Resultaat van koppelbeoordeling: NOK (laag)	Deze functie treedt in werking wanneer het gereedschap onder het aandraaikoppelbereik werkt dat vooraf op de computer is ingesteld. (Opmerking)	—

Status van LED-indicator/pieptoon		Functie	Status	Te nemen maatregel
LED-indicator	Pieptoon			
Knippert beurtelings rood en geel.	Een lange pieptoon	Waarschuwing voor onvoldoende bevestigen	Het bevestigen gebeurt onvoldoende wanneer de aan/uit-trekschakelaar van het gereedschap wordt losgelaten voordat de koppeling in werking treedt.	—
		Dubbeltellingdetectie	Deze functie treedt in werking wanneer een schroef opnieuw wordt vastgezet na reeds te zijn bevestigd.	—
		Hoekbeoordeling NOK	Deze functie treedt in werking wanneer een schroef niet is bevestigd binnen het hoekbereik dat vooraf op de computer is ingesteld. (Opmerking)	—
		Rundown NOK	Deze functie treedt in werking wanneer een bevestiging klaar is voordat deze het vooraf ingestelde hoekbereik heeft bereikt. (Opmerking)	—
		Onmogelijk het koppel te controleren	Deze functie treedt in werking wanneer de koppelcontrole niet kan worden uitgevoerd. (Bij gebruik van vastzittende bevestiging)	—
Knippert beurtelings rood en blauw.	Een serie korte pieptonen	Aansluiting verbroken (bij gebruik van receiver RCV02)	Radiocommunicatie nog niet tot stand gekomen	Voltooi de noodzakelijke aansluiting of verwijder de accu om te beëindigen.
		Storing in de radiocommunicatie	Deze functie treedt in werking wanneer een storing in de radiocommunicatie optreedt.	Ga met het gereedschap naar een erkend Makita-servicecentrum.

Opmerking: Deze waarden kunnen worden veranderd op de computer. Raadpleeg de SRCV02 GEBUIKERSHAND-LEIDING voor meer informatie.

## Voor LED#B (Fig. 6)

De LED-indicator/Pieptoon van het gereedschap geven de volgende functies aan.

Beschrijving	Zichtbare kleur	Werking en bedrijfssituatie			
LED#B (1)	Groen	1	brandt	wanneer het gereedschap is aangesloten op een receiver.	
		2	knippert	wanneer het gereedschap op het punt staat te worden aangesloten op een receiver. (Opmerking 1)	
		3	is uitgeschakeld	eén van onderstaande bedrijfssituaties:	
				3-1	wanneer de accu uit het gereedschap is verwijderd.
				3-2	wanneer het gereedschap gedurende langer dan 15 minuten niet wordt bediend terwijl de accu is geplaatst.
3-3	wanneer het gereedschap zich niet binnen de zendafstand bevindt. (Opmerking 2)				
LED#B (2)	Rood	1	brandt	wanneer het aantal gegevens opgeslagen in het gereedschap gelijk is aan het maximaal mogelijke aantal gegevens.	
		2	knippert	wanneer het aantal gegevens opgeslagen in het gereedschap lager is dan het maximaal mogelijke aantal gegevens.	
		3	is uitgeschakeld	wanneer het gereedschap geen opgeslagen gegevens bevat om naar de receiver te zenden.	

Opmerking 1: Raadpleeg voor het aansluiten de instructiehandleiding van de receiver RCV02 (los verkrijgbaar).

Opmerking 2: Communicatieafstand: 10 m of minder (varieert tot 10 m afhankelijk van de bedrijfsomgeving)

### LET OP:

- Controleer dat LED#B (2) niet brandt voordat u de accu uit het gereedschap verwijdert. Als de accu uit het gereedschap wordt verwijderd terwijl LED#B (2) brandt of knippert, worden de gegevens die in het gereedschap zijn opgeslagen gewist.

### Instellen van het aandraaikoppel (Fig. 7, 8 en 9)

Wanneer u kolomschroeven, houtschroeven, zeskante bouten e.d. met een gespecificeerd aandraaikoppel wilt aandraaien, moet u het aandraaikoppel als volgt instellen.

1. Haal de accu uit het gereedschap.
2. Draai de bevestigingsschroef van de ring los en verwijder de schroef.  
(Alleen voor model BFL201R: Draai de twee schroeven los waarmee de ring is vastgezet.)
3. Draai met de hand de ring op de voorkant van het gereedschap zodat het gat onder de ring zichtbaar wordt.
4. Installeer de accu en druk de trekschakelaar in. Laat de trekschakelaar los zodat de instelring draait en zichtbaar wordt in het gat. Haal daarna de accu eruit.
5. Gebruik de los verkrijgbare instelgreep om het aandraaikoppel in te stellen. Steek de pen van de instelgreep in het gat op de voorkant van het gereedschap. Draai daarna de instelgreep naar rechts om een groter aandraaikoppel in te stellen, of naar links om een kleiner aandraaikoppel in te stellen.
6. Doe de rand van de afstelling overeenkomen met het gewenste cijfer op de aandraaikoppelschaal.

7. Installeer de accu en gebruik een aandraaikoppel-testapparaat om te controleren of het aandraaikoppel is ingesteld.

8. Draai de ring zodanig dat het bevestigingsgat voor de instelgreep is afgedekt. Houd de bevestigingsring op zijn plaats en zet deze vast met de schroef.

### OPMERKING:

- De cijfers op de aandraaikoppelschaal dienen als een leidraad voor het instellen van het gewenste aandraaikoppel.

### INEENZETTEN

#### LET OP:

- Controleer altijd of het gereedschap is uitgeschakeld en de accu ervan is verwijderd alvorens enig werk aan het gereedschap uit te voeren.

### Selecteren van de juiste sok

Bij sommige modellen zijn er verschillende soorten sokken beschikbaar voor diverse toepassingen. Selecteer en monteer de sok die geschikt is voor uw toepassing.

### Installeren of verwijderen van de sok (Fig. 10)

Om de sok te installeren, duwt u met de ene hand de sok op de vierkante aandrijfkop van het gereedschap terwijl u met de andere hand de pen op de vierkante aandrijfkop indrukt, totdat de sok op zijn plaats vergrendelt. Om de sok te verwijderen, trekt u deze gewoon eraf terwijl u de pen op de vierkante aandrijfkop ingedrukt houdt.

## BEDIENING

Houd het gereedschap stevig vast en plaats de sok over de bout of moer. Schakel vervolgens het gereedschap in. Wanneer de koppeling ingrijpt, zal de motor automatisch stoppen. Laat daarna de trekschakelaar los.

### OPMERKING:

- Houd het gereedschap met zijn vierkante aandrijving recht op de bout of moer geplaatst, omdat de bout of moer anders beschadigd kan raken.

### Toelaatbare aandraincapaciteiten

Gebruik het gereedschap binnen het bereik van de draaiingshoek van 30° t/m 360°. Als u het gereedschap gebruikt beneden de ondergrens van dit bereik, kan het koppel niet worden vastgesteld (LED#A knippert beurtelings rood en geel). Als u het gereedschap gebruikt boven de bovengrens van dit bereik, werkt de koppeling niet. Het gereedschap kan tevens niet voldoende aandrainkoppel leveren (LED#A knippert langzaam paars of brand paars).

### OPMERKING:

- De draaiingshoek is de hoek waarbij een schroef/bout draait wanneer het gereedschap tussen 50% en 100% van het gewenste koppel bereikt.
- Bij gebruik van een accu op lage temperatuur, kunnen het waarschuwinglampje en de zoemer soms een waarschuwing voor te laag accuvermogen geven zodat het gereedschap onmiddellijk zal stoppen. In dit geval kan het aandraincapaciteitsbereik lager zijn dan het hierboven opgegeven bereik, ook wanneer een opgeladen accu wordt gebruikt.

## ONDERHOUD

### LET OP:

- Controleer altijd of het gereedschap is uitgeschakeld en de accu is losgekoppeld voordat u begint met inspectie of onderhoud.

Om de VEILIGHEID en BETROUWBAARHEID van het product te handhaven, dienen alle reparaties en alle andere onderhoudswerkzaamheden of afstellingen te worden uitgevoerd door een erkend Makita Servicecentrum, en dat uitsluitend met gebruik van Makita vervangingsonderdelen.

## ACCESSOIRES

### LET OP:

- Deze accessoires of hulpstukken worden aanbevolen voor gebruik met het Makita gereedschap dat in deze gebruiksaanwijzing is beschreven. Bij gebruik van andere accessoires of hulpstukken bestaat er gevaar voor persoonlijke verwonding. Gebruik de accessoires of hulpstukken uitsluitend voor hun bestemd doel.

Wenst u meer bijzonderheden over deze accessoires, neem dan contact op met het plaatselijke Makita servicecentrum.

- Beschermkap (Geel, Blauw, Rood, Transparant)
- Originele Makita accu en lader
- Automatische oprisadapter
- Instelgreep
- Schakelhendelset
- As compleet 12,7
- Receiver RCV02
- Software-installatiedisc (cd-rom), behalve voor model BFT041R
- USB-serieelkabel
- RS-232C-kabel

Explicación de los dibujos

- |   |                                      |    |                                 |    |                       |
|---|--------------------------------------|----|---------------------------------|----|-----------------------|
| 1 | Parte roja                           | 7  | LED#A                           | 14 | Escala                |
| 2 | Botón                                | 8  | LED#B1                          | 15 | Asidero de ajuste     |
| 3 | Cartucho de batería                  | 9  | LED#B2                          | 16 | Línea amarilla        |
| 4 | Gatillo interruptor                  | 10 | Tornillo                        | 17 | Resorte de compresión |
| 5 | Palanca del interruptor de inversión | 11 | Cabezal angular                 | 18 | Llave de vaso         |
| 6 | Lámpara                              | 12 | Orificio para asidero de ajuste | 19 | Orificio              |
|   |                                      | 13 | Anillo                          | 20 | Pasador               |

ESPECIFICACIONES

Modelo		BFL201R	BFL301R	BFL402R
Par de apriete	Unión dura	10 – 20 N•m	16 – 30 N•m	25 – 40 N•m
	Unión blanda	10 – 20 N•m	16 – 30 N•m	25 – 40 N•m
Adaptador cuadrado		9,5 mm	9,5 mm	9,5 mm
Velocidad en vacío (min <sup>-1</sup> )		360	260	200
Dimensiones		429 mm x 72 mm x 98 mm	477 mm x 72 mm x 98 mm	477 mm x 72 mm x 98 mm
Peso neto		1,7 kg	2,0 kg	2,0 kg
Tensión nominal		CC 14,4 V		

- Debido a un programa continuo de investigación y desarrollo, las especificaciones aquí dadas están sujetas a cambios sin previo aviso.
- Nota: Las especificaciones pueden ser diferentes de país a país.

Uso previsto

La herramienta ha sido prevista par atornillar en madera, metal y plástico.

Sugerencias de seguridad

Para su propia seguridad, consulte las instrucciones de seguridad incluidas.

NORMAS DE SEGURIDAD ADICIONALES PARA LA HERRAMIENTA

**NO DEJE** que la comodidad o familiaridad con el producto (a base de utilizarlo repetidamente) sustituya la estricta observancia de las normas de seguridad para el atornillador. Si utiliza esta herramienta eléctrica de forma no segura o incorrecta, podrá sufrir graves heridas personales.

1. Sujete las herramientas eléctricas por las superficies de asimiento aisladas cuando realice una operación en la que la herramienta de corte pueda entrar en contacto con cableado oculto o con su propio cable. El contacto con un cable con corriente hará que la corriente circule por las partes metálicas expuestas de la herramienta y puede electrocutar al operario.
2. Asegurese siempre de que pisa sobre suelo firme. Asegúrese de que no haya nadie debajo cuando utilice la herramienta en un lugar alto.
3. Sujete firmemente la herramienta.
4. Mantenga las manos alejadas de partes giratorias.

5. No toque la punta ni la pieza de trabajo inmediatamente después de la operación, porque pueden estar muy calientes y podrían producirle quemaduras.

GUARDE ESTAS INSTRUCCIONES.

ADVERTENCIA:

**EI MAL USO** o el no seguir las normas de seguridad establecidas en este manual de instrucciones podrá ocasionar graves heridas personales.

INSTRUCCIONES DE SEGURIDAD IMPORTANTES PARA CARTUCHO DE BATERÍA

1. Antes de utilizar el cartucho de batería, lea todas las instrucciones e indicaciones de precaución sobre (1) el cargador de baterías, (2) la batería, y (3) el producto con el que se utiliza la batería.
2. No desarme el cartucho de batería.
3. Si el tiempo de uso del cartucho de batería se acorta demasiado, deje de usarlo inmediatamente. Podría resultar en un riesgo de recalentamiento, posibles quemaduras e incluso una explosión.
4. Si entra electrólito en sus ojos, aclárelos con agua limpia y vea a un médico inmediatamente. Existe el riesgo de poder perder la vista.
5. No cortocircuite el cartucho de batería:
  - (1) No toque los terminales con ningún material conductor.
  - (2) Evite guardar el cartucho de batería en un cajón junto con otros objetos metálicos, tales como clavos, monedas, etc.

(3) No exponga el cartucho de batería al agua ni a la lluvia.

Un cortocircuito en la batería puede producir una gran circulación de corriente, un recalentamiento, posibles quemaduras e incluso una rotura de la misma.

6. No guarde la herramienta ni el cartucho de batería en lugares donde la temperatura pueda alcanzar o exceder los 50°C.
7. Nunca incinere el cartucho de batería incluso en el caso de que esté dañado seriamente o ya no sirva en absoluto. El cartucho de batería puede explotar si se tira al fuego.
8. Tenga cuidado de no dejar caer ni golpear el cartucho de batería.

## GUARDE ESTAS INSTRUCCIONES.

### Consejos para alargar al máximo la vida de servicio de la batería

1. Cargue el cartucho de batería antes de que se descargue completamente. Pare siempre la operación y cargue el cartucho de batería cuando note menos potencia en la herramienta.  
La sobrecarga acortará la vida de servicio de la batería.
2. No cargue nunca un cartucho de batería que esté completamente cargado. La sobrecarga acortará la vida de servicio de la batería.
3. Cargue el cartucho de batería a temperatura ambiente de 10°C – 40°C. Si un cartucho de batería está caliente, déjelo enfriar antes de cargarlo.

## DESCRIPCIÓN DEL FUNCIONAMIENTO

### PRECAUCIÓN:

- Asegúrese siempre de que la herramienta esté apagada y el cartucho de batería extraído antes de realizar cualquier ajuste o comprobación en la herramienta.

### Instalación y desmontaje del cartucho de batería (Fig. 1)

- Apague siempre la herramienta antes de insertar o extraer el cartucho de batería.
- Para extraer el cartucho de batería, sáquelo de la herramienta mientras desliza el botón que hay en la parte delantera del cartucho.
- Para insertar el cartucho de batería, alinee la lengüeta del cartucho de batería con la acanaladura en el alojamiento y deslícelo hasta que encaje en posición. Insértelo siempre a tope hasta que se bloquee produciendo un pequeño clic. Si puede ver la parte roja del lado superior del botón, no estará bloqueado completamente. Insértelo totalmente hasta que no pueda verse la parte roja. En caso contrario, podrá caerse accidentalmente de la herramienta y causarle heridas a usted o a alguien cerca de usted.
- No emplee fuerza para insertar el cartucho de batería. Si no entra deslizándose suavemente, será porque no está siendo insertado correctamente.

### Accionamiento del interruptor (Fig. 2)

#### PRECAUCIÓN:

- Antes de insertar el cartucho de batería en la herramienta, compruebe siempre para ver si el interruptor se acciona correctamente y regresa a la posición "OFF" cuando lo suelta.

Para poner en marcha la herramienta, simplemente apriete el gatillo interruptor. Suelte el gatillo interruptor para pararla.

### Accionamiento del interruptor de inversión (Fig. 3)

#### PRECAUCIÓN:

- Confirme siempre la dirección de giro antes de la operación.
- Utilice el interruptor de inversión solamente después de que la herramienta se haya parado completamente. Si cambia la dirección de giro antes de que la herramienta se haya parado podrá dañarla.
- Cuando no esté utilizando la herramienta, ponga siempre la palanca del interruptor de inversión en la posición neutral.

Esta herramienta tiene un interruptor de inversión para cambiar la dirección de rotación. Baje la palanca del interruptor de inversión del lado A para giro hacia la derecha o del lado B para giro hacia la izquierda.

Cuando la palanca del interruptor de inversión esté en la posición neutral, no se podrá apretar el gatillo interruptor.

### Encendido de las lámparas (Fig. 4)

#### PRECAUCIÓN:

- No mire a la luz ni vea la fuente de luz directamente.

Apriete el gatillo interruptor para encender la lámpara. La lámpara se mantendrá encendida mientras esté apretado el gatillo interruptor. La luz se apagará automáticamente 10 segundos después de soltar el gatillo interruptor.

#### NOTA:

- Utilice un paño seco para limpiar la suciedad de la lente de la lámpara. Tenga cuidado de no rayar la lente de la lámpara, porque podrá reducirse la iluminación.



## Indicador LED / Zumbador

### Para el LED#A (Fig. 5)

El indicador LED / Zumbador de la herramienta muestra las siguientes funciones.

Estado del indicador de LED/ zumbador		Función	Estado	Acción a tomar
Indicador de LED	Zumbador			
Se ilumina en Verde → Rojo → Azul → Blanco en orden	Una serie de pitidos muy cortos	Compruebe el LED#A, la iluminación y el zumbador (cuando apriete el gatillo por primera vez después de instalar un cartucho de batería en la herramienta)	Asegúrese de que los LED verde, rojo, azul y blanco se iluminan y el zumbador emite los pitidos debidamente.	—
Parpadea en púrpura lentamente.	Una serie de pitidos largos	Aviso para la capacidad del cartucho de batería	Esto indica el momento apropiado para reemplazar el cartucho de batería cuando tiene poca potencia.	Reemplace la batería con una completamente cargada.
Se ilumina en púrpura.	Un pitido largo	Comprobación de la capacidad restante de la batería, Detención automática	Esta función se activa cuando la batería está casi agotada. Llegado este momento, la herramienta se detiene inmediatamente.	Reemplace la batería con una completamente cargada.
Se ilumina en rojo y verde alternativamente	Una serie de pitidos cortos	Antirreposición del controlador	Esta función se activa cuando por alguna razón el voltaje de la batería cae de forma anormal, y la herramienta se detiene.	Reemplace la batería con una completamente cargada.
		Fallo del motor	Esta función se activa cuando falla el motor.	Lleve la herramienta a un Centro de servicio de Makita autorizado.
Parpadea en rojo rápidamente.	Una serie de pitidos cortos	Recalentamiento	Esta función se activa cuando la temperatura del controlador o del motor sube mucho, y la herramienta se detiene.	Retire el cartucho de batería inmediatamente y enfíe la herramienta.
Verde (azul cuando la tanda se completa en modo de herramienta autónoma)		Detención automática del apriete	Esta función se activa cuando la herramienta ha alcanzado en el rango del par de apriete preajustado en el PC y se ha completado el apriete normal. (Nota)	—
Se ilumina en rojo.	Un pitido largo	Resultado de la estimación de la torsión: MAL (Alto)	Esta función se activa cuando la herramienta sube por encima del rango del par de apriete preajustado en el PC. (Nota)	—
Se ilumina en amarillo.	Un pitido largo	Resultado de la estimación de la torsión: MAL (Bajo)	Esta función se activa cuando la herramienta baja por debajo del rango del par de apriete preajustado en el PC. (Nota)	—

Estado del indicador de LED/ zumbador		Función	Estado	Acción a tomar
Indicador de LED	Zumbador			
Parpadea en rojo y amarillo alternativamente.	Un pitido largo	Aviso contra apriete insuficiente	El apriete será incompleto cuando el gatillo interruptor de la herramienta se libere antes de activarse el embrague.	—
		Detección de doble golpe	Esta función se activa cuando se vuelve a apretar un tornillo después de haberlo apretado.	—
		Estimación de ángulo MAL	Esta función se activa cuando un tornillo no es apretado en el rango de ángulo preajustado en el PC. (Nota)	—
		Incompleto MAL	Esta función se activa cuando un apriete termina antes de haber llegado al rango de ángulo preajustado. (Nota)	—
		Torsión imposible de controlar	Esta función se activa cuando no puede realizarse el control de la torsión. (Cuando se utiliza una junta dura)	—
Parpadea en rojo y azul alternativamente.	Una serie de pitidos cortos	Desconexión (cuando se utiliza el receptor RCV02)	Todavía no se ha establecido la radiocomunicación	Termine la conexión necesaria o retire el cartucho de batería para cancelar.
		Fallo en la radiocomunicación	Esta función se activa cuando falla la radiocomunicación.	Lleve la herramienta a un Centro de servicio de Makita autorizado.

Nota: Estos valores pueden ser cambiados en el PC. Consulte EL MANUAL DEL USUARIO de SRCV02 para ver más detalles.

#### Para el LED#B (Fig. 6)

El indicador LED / Zumbador de la herramienta muestra las siguientes funciones.

Descripción	Color visto	Cuándo se ve y estado			
		Nº	Estado	Condición	
LED#B (1)	Verde	1	se ilumina	cuando la herramienta está conectada a un receptor.	
		2	parpadea	cuando la herramienta está en el paso de ser conectada a un receptor. (Nota 1)	
		3	se apaga	uno de los estados de abajo	
				3-1	cuando se quita el cartucho de batería de la herramienta.
				3-2	cuando la herramienta se deja sin usar durante más de 15 minutos con el cartucho de batería instalado.
3-3	cuando la herramienta no está dentro de la distancia de transmisión. (Nota 2)				
LED#B (2)	Rojo	1	se ilumina	cuando el número de datos almacenados en la herramienta alcanza el número de datos que se pueden almacenar.	
		2	parpadea	cuando el número de datos almacenados en la herramienta es igual o inferior al número de datos que se pueden almacenar.	
		3	se apaga	cuando la herramienta no tiene datos almacenados para transmitir a un receptor.	

Nota 1: Consulte el manual de instrucciones del receptor (accesorio) RCV02 cuando haga la conexión.

Nota 2: Distancia de comunicación: 10 m o menos (disponible hasta 10 m dependiendo del entorno donde se utilice)

#### PRECAUCIÓN:

- Asegúrese de que el LED#B (2) no se ilumina antes de retirar el cartucho de batería de la herramienta. Si quita el cartucho de batería estando el LED#B (2) encendido o parpadeando, los datos almacenados en la herramienta se cancelarán.

#### Ajuste del par de apriete (Fig. 7, 8 y 9)

Cuando desee apretar tornillos de máquinas, tornillos para madera, pernos hexagonales, etc., con el par de apriete predeterminado, ajuste el par de apriete de la forma siguiente.

1. Primero extraiga el cartucho de batería de la herramienta.
2. Afloje o quite el tornillo que sujeta al anillo. (Afloje dos tornillos que sujetan al anillo solamente para BFL201R)
3. Gire el anillo de la parte delantera de la herramienta a mano de forma que se pueda ver el orificio debajo del anillo.
4. Inserte el cartucho de batería en la herramienta y apriete el gatillo interruptor. Suéltelo para que el anillo de ajuste gire y se vea en el orificio. Y después extraiga el cartucho de batería.
5. Utilice el asidero de ajuste opcional para ajustar el par de apriete. Inserte el pasador del asidero de ajuste en el orificio de la parte delantera de la herramienta. Y después, gire el asidero de ajuste hacia la derecha para fijar un par de apriete mayor, y hacia la izquierda para fijar un par de apriete menor.
6. Alinee el borde del anillo de ajuste con el número que desee de la escala de torsión de apriete.
7. Inserte el cartucho de batería y asegúrese de que se ha fijado un par de apriete utilizando un comprobador de par de apriete.
8. Gire el anillo de forma que el orificio para ajustar la empuñadura quede cubierto, sujete y después fije el anillo con el tornillo.

#### NOTA:

- Los números de la escala de par de apriete son una guía para fijar su par de apriete deseado.

## MONTAJE

#### PRECAUCIÓN:

- Asegúrese siempre de que la herramienta esté apagada y el cartucho de batería extraído antes de realizar cualquier trabajo en la herramienta.

#### Selección de la llave de tubo correcta

Para algunos modelos hay diferentes tipos de llaves de tubo según las aplicaciones. Elija e instale la llave de tubo correcta para su aplicación.

#### Instalación o desmontaje de la llave de vaso (Fig. 10)

Para instalar la llave de vaso, empújela contra el accionador cuadrado de la herramienta con una mano bajando el pasador del accionador cuadrado con la otra mano hasta que se bloquee en su sitio. Para desmontar la llave de vaso, simplemente sáquela presionando el pasador del accionador cuadrado.

## OPERACIÓN

Sujete la herramienta firmemente y ponga la llave de tubo sobre el perno o tuerca. Después encienda la herramienta. Cuando el embrague se accione, el motor se parará automáticamente. Después suelte el gatillo interruptor.

#### NOTA:

- Sujete la herramienta con su accionador cuadrado apuntando el línea recta al perno o tuerca, o el perno o tuerca se dañará.

#### Límites de la capacidad de apriete

Utilice la herramienta dentro del rango del ángulo de giro de 30° – 360°. Si utiliza la herramienta por debajo del límite inferior de este rango, no podrá detectarse la torsión (LED#A parpadea en rojo y amarillo alternativamente). Si utiliza la herramienta por encima del límite superior de este rango, no funcionará el embrague. Y la herramienta no podrá desarrollar suficiente par de apriete (LED#A parpadea en púrpura lentamente o se enciende en púrpura).

#### NOTA:

- El ángulo de rotación se refiere al ángulo al que gira un tornillo o perno cuando la herramienta desarrolla del 50% al 100% del par de apriete deseado.
- La utilización de un cartucho condicionado por bajas temperaturas podrá dar algunas veces aviso sobre la del cartucho de batería mediante la lámpara de aviso y pitido que hará que la herramienta se pare automáticamente. En este caso, el rango de la capacidad de apriete podrá ser inferior a los mostrados arriba aunque se utilice un cartucho de batería completamente cargado.

## **MANTENIMIENTO**

### **PRECAUCIÓN:**

- Asegúrese siempre de que la herramienta está apagada y de que el cartucho de baterías está quitado antes de intentar hacer una inspección o mantenimiento.

Para mantener la **SEGURIDAD** y la **FIABILIDAD** del producto, las reparaciones y cualquier otro mantenimiento o ajuste deberán ser realizados por los centros de servicio autorizado de Makita, siempre con piezas de repuesto de Makita.

## **ACCESORIOS**

### **PRECAUCIÓN:**

- Estos accesorios o acoplamientos están recomendados para utilizar con su herramienta Makita especificada en este manual. El empleo de cualesquiera otros accesorios o acoplamientos conllevará un riesgo de sufrir heridas personales. Utilice los accesorios o acoplamientos solamente para su fin establecido.

Si necesita cualquier ayuda para más detalles en relación con estos accesorios, pregunte a su centro de servicio Makita local.

- Protector (amarillo, azul, rojo, transparente)
- Batería y cargador de Makita genuinos
- Adaptador de refresco automático
- Asidero de ajuste
- Conjunto de palanca de interruptor
- Eje completo 12,7
- Receptor RCV02
- Disco de instalación del software (CD-ROM) excepto para el modelo BFT041R
- Adaptador de serie USB
- Cable RS-232C

## Explicação geral

1	Parte vermelha	8	LED#B1	15	Punho de ajuste
2	Botão	9	LED#B2	16	Linha amarela
3	Bateria	10	Parafuso	17	Mola de compressão
4	Interruptor de gatilho	11	Cabeça angular	18	Conector
5	Interruptor de inversão	12	Orifício para ajustar o punho	19	Orifício
6	Lâmpada	13	Anel	20	Pino
7	LED#A	14	Escala		

## ESPECIFICAÇÕES

Modelo		BFL201R	BFL301R	BFL402R
Tensão de aperto	Junta dura	10 – 20 N•m	16 – 30 N•m	25 – 40 N•m
	Junta mole	10 – 20 N•m	16 – 30 N•m	25 – 40 N•m
Transmissão quadrada		9,5 mm	9,5 mm	9,5 mm
Sem velocidade de carga (min <sup>-1</sup> )		360	260	200
Dimensões		429 mm x 72 mm x 98 mm	477 mm x 72 mm x 98 mm	477 mm x 72 mm x 98 mm
Peso		1,7 kg	2,0 kg	2,0 kg
Voltagem nominal		14,4 V C.C		

- Devido a um programa contínuo de pesquisa e desenvolvimento, estas especificações podem ser alteradas sem aviso prévio.
- Nota: As especificações podem variar de país para país.

### Utilização a que se destina

A ferramenta destina-se a aparafusar em madeira, metal e plástico.

### Conselhos de segurança

Para sua segurança, leia as instruções anexas.

## REGRAS DE SEGURANÇA ADICIONAIS PARA A FERRAMENTA

**NÃO** permita que conforto ou familiaridade com o produto (adquirido com o uso repetido) substituam aderência às regras de segurança de aparafusadora. Se utilizar esta ferramenta eléctrica sem segurança ou incorrectamente, pode sofrer danos pessoais graves.

1. Agarre nas ferramentas eléctricas pelas superfícies isoladas quando executa uma operação em que a ferramenta de corte pode entrar em contacto com um fio escondido ou com o seu cabo. O contacto com um fio "vivo" tornará as partes de metal expostas "vivas" e poderá chocar o operador.
2. Mantenha-se sempre em equilíbrio. Certifique-se de que ninguém está por baixo quando utiliza a máquina em locais altos.
3. Pegue na máquina firmemente.
4. Mantenha as mãos afastadas das partes rotativas.
5. Não toque na broca ou na superfície de trabalho imediatamente depois da operação; podem estar extremamente quentes e provocar queimaduras.

## GUARDE ESTAS INSTRUÇÕES.

### AVISO:

**MÁ UTILIZAÇÃO** ou não cumprimento das regras de segurança indicadas neste manual de instruções pode causar danos pessoais graves.

## IMPORTANTES INSTRUÇÕES DE SEGURANÇA PARA A BATERIA

1. Antes de utilizar a bateria, leia todas as instruções e etiquetas de precaução no (1) carregador de bateria (2) bateria e (3) produto que utiliza a bateria.
2. Não abra a bateria.
3. Se o tempo de funcionamento se tornar excessivamente curto, páre o funcionamento imediatamente. Pode resultar em sobreaquecimento, possíveis queimaduras e mesmo explosão.
4. Se entrar electrólito nos seus olhos, lave-os com água e consulte imediatamente um médico. Pode resultar em perda de visão.
5. Não corte-circuite a bateria:
  - (1) Não toque nos terminais com qualquer material condutor.
  - (2) Evite guardar a bateria juntamente com outros objectos metálicos tais como pregos, moedas, etc.
  - (3) Não exponha a bateria à água ou chuva. Um curto-circuito pode ocasionar um enorme fluxo de corrente, sobreaquecimento, possíveis queimaduras e mesmo estragar-se.
6. Não guarde a ferramenta e a bateria em locais onde a temperatura pode atingir ou exceder 50°C.
7. Não queime a bateria mesmo que esteja estragada ou completamente gasta. A bateria pode explodir no fogo.

8. Tenha cuidado para não deixar cair ou dar pancadas na bateria.

## GUARDE ESTAS INSTRUÇÕES.

### Conselhos para manter a máxima vida útil da bateria

1. Carregue a bateria antes que esteja completamente descarregada. Pare sempre o funcionamento da ferramenta e carregue a bateria quando notar menos poder na ferramenta.
2. Nunca carregue uma bateria completamente carregada. Carregamento excessivo diminui a vida útil da bateria.
3. Carregue a bateria à temperatura ambiente de 10°C – 40°C. Deixe que uma bateria quente arrefeça antes de a carregar.

## DESCRIÇÃO FUNCIONAL

### PRECAUÇÃO:

- Cerifique-se sempre de que a ferramenta está desligada e a bateria retirada antes de regular ou verificar qualquer função na ferramenta.

### Instalar ou retirar a bateria (Fig. 1)

- Desligue sempre a ferramenta antes de instalar ou retirar a bateria.
- Para retirar a bateria, desprenda-a da ferramenta fazendo deslizar o botão existente na parte da frente da bateria.
- Para instalar a bateria, alinhe a lingueta da bateria com a ranhura existente na ferramenta e empurre-a para dentro. Empurre sempre a bateria bem até ao fundo; a bateria encaixa com um estalido. Se a zona vermelha da parte superior do botão estiver visível, isso significa que a bateria não está bem encaixada. Empurre-a bem até deixar de ver a zona vermelha. Se não ficar bem encaixada a bateria pode desprender-se acidentalmente da ferramenta e feri-lo a si ou as pessoas que estejam perto.
- Não introduza a bateria à força. Se a bateria não entrar facilmente, isso significa que não está a instalá-la correctamente.

### Interruptor de ligação (Fig. 2)

#### PRECAUÇÃO:

- Antes de instalar a bateria na ferramenta, verifique sempre se o interruptor de gatilho está a funcionar correctamente e se volta à posição "OFF" quando o soltar.

Para começar a utilizar a ferramenta basta pressionar o interruptor de gatilho. Para parar solte o gatilho.

### Interruptor de inversão (Fig. 3)

#### PRECAUÇÃO:

- Antes de utilizar a ferramenta verifique sempre a direcção da rotação.
- Utilize apenas o interruptor de inversão depois da ferramenta ter parado completamente. Se alterar a direcção de rotação antes da ferramenta parar, pode danificar a ferramenta.
- Quando não estiver a utilizar a ferramenta, coloque sempre o manípulo do interruptor de inversão na posição neutra.

Esta ferramenta tem um interruptor de inversão para alterar a direcção da rotação. Carregue no lado A do manípulo do interruptor de inversão para fazer a rotação para a direita e no lado B para fazer a rotação para a esquerda.

Quando o interruptor de inversão estiver na posição neutra, não consegue accionar o interruptor de gatilho.

### Acender as lâmpadas (Fig. 4)

#### PRECAUÇÃO:

- Não olhe para a luz ou para a fonte de luz directamente.

Puxe o interruptor de gatilho para fazer acender a lâmpada. A lâmpada mantém-se acesa enquanto estiver a carregar no interruptor de gatilho.

A luz apaga-se automaticamente 10 segundos depois de soltar o interruptor de gatilho.

#### NOTA:

- Utilize um pano seco para limpar a sujidade da lente da lâmpada. Tenha cuidado para não riscar a lente da lâmpada pois pode reduzir a luz da mesma.

## Indicador LED/Sinal sonoro

### Para a LED#A (Fig. 5)

Indicador LED/Sinal sonoro na ferramenta que mostra as seguintes funções.

Estado do indicador LED/ Sinal sonoro		Função	Estado	Acção a executar
Indicador LED	Sinal sonoro			
Acende-se em Verde → Vermelho → Azul → Branco em sequência	Uma série de pequenos sinais sonoros	Verifique a LED#A, luz e sinal sonoro (quando carrega no gatilho pela primeira vez depois de ter instalado uma bateria na ferramenta)	Certifique-se de que a LED verde, vermelha, azul, branca se acende e o sinal sonoro funciona correctamente	—
Pisca devagar em púrpura.	Uma série de longos sinais sonoros	Aviso da capacidade da bateria	Indica a altura apropriada para substituir a bateria quando a capacidade se torna fraca.	Substitua a bateria por uma completamente carregada.
Acende em púrpura	Um sinal sonoro longo	Verificação da capacidade restante da bateria, Paragem Automática	Esta função é activada quando a capacidade da bateria está quase gasta. Nesta altura, pára imediatamente.	Substitua a bateria por uma completamente carregada.
Acende-se em vermelho e verde alternadamente.	Uma série de sinais sonoros curtos	Anti-reinício do controlador	Esta função é activada quando ocorre uma queda anormal da voltagem da bateria, por qualquer razão, e a ferramenta pára.	Substitua a bateria por uma completamente carregada.
		Falha do motor	Esta função é activada quando o motor falha.	Leve-a a um Centro de Assistência Autorizado da Makita.
Pisca em vermelho rapidamente.	Uma série de sinais sonoros curtos	Sobreaquecimento	Esta função é activada quando a temperatura do controlador ou motos sobe muito alta e a ferramenta pára.	Retire a bateria imediatamente e deixe a ferramenta arrefecer.
Verde (azul quando a carga está terminada no modo de ferramenta independente)		Aperto de paragem automática	Esta função é activada quando a ferramenta atingiu a gama de aperto do binário ajustada no PC e o aperto normal terminou. (Nota)	—
Acende-se em vermelho.	Um sinal sonoro longo	Apreciação do resultado do binário: NOK (Alta)	Esta função é activada quando a ferramenta atingiu acima da gama de aperto do binário ajustada no PC. (Nota)	—
Acende-se em amarelo.	Um sinal sonoro longo	Apreciação do resultado do binário: NOK (Baixa)	Esta função é activada quando a ferramenta atingiu abaixo da gama de aperto do binário ajustada no PC. (Nota)	—

Estado do indicador LED /Sinal sonoro		Função	Estado	Acção a executar
Indicador LED	Sinal sonoro			
Pisca em vermelho e amarelo alternadamente.	Um sinal sonoro longo	Aviso contra aperto insuficiente	O aperto está incompleto quando o gatilho da ferramenta é libertado antes da activação da embraiagem.	—
		Deteção de pancada dupla	Esta função é activada quando aperta um parafuso pela segunda vez.	—
		Julgamento do ângulo NOK	Esta função é activada quando um parafuso não está apertado dentro da gama do ângulo ajustado no PC. (Nota)	—
		Ir abaixo NOK	Esta função é activada quando o aperto termina antes de atingir a gama do ângulo ajustado. (Nota)	—
		Monitorização impossível do binário	Esta função é activada quando não pode ser executada a monitorização do binário. (Quando utiliza junta dura)	—
Pista em vermelho e azul alternadamente.	Uma série de sinais sonoros curtos	Perda de ligação (Quando utiliza o receptor RCV02)	A comunicação de rádio ainda não está estabelecida	Termine a ligação necessário ou retire a bateria para sair.
		Falha da comunicação de rádio	Esta função é activada quando há uma falha da comunicação de rádio.	Leve-a a um Centro de Assistência Autorizado da Makita.

Nota: Estes valores podem ser alterados no PC. Refira-se ao MANUAL DO UTILIZADOR DO SRCV02 para detalhes.

#### Para a LED#B (Fig. 6)

Indicador LED/Sinal sonoro na ferramenta que mostra as seguintes funções.

Descrição	Cor visualizada	Visualização e estado			
LED#B (1)	Verde	1	acende	quando a ferramenta está ligada a um receptor.	
		2	pisca	quando a ferramenta está no passo de ser ligada a um receptor. (Nota 1)	
		3	está desligada		um dos estados abaixo
				3-1	quando a bateria está retirada da ferramenta.
				3-2	quando a ferramenta está inoperante durante mais de 15 minutos com uma bateria colocada.
3-3	quando a ferramenta não está a distância de transmissão. (Nota 2)				
LED#B (2)	Vermelho	1	acende	quando o número de dados armazenados atinge o seu limite.	
		2	pisca	quando o número de dados armazenados é igual ou inferior ao número de dados armazenáveis.	
		3	está desligada	quando a ferramenta não tem dados armazenados para transmitir a um receptor.	

Nota 1: Refira-se ao manual de instruções do receptor RCV02 (acessório) quando o ligar.

Nota 2: Distância de comunicação: 10 m ou menos (variável até 10 m dependendo do ambiente de operação)

#### PRECAUÇÃO:

- Certifique-se de que a LED#B (2) não se acende antes de retirar a bateria da ferramenta. Se a bateria for retirada enquanto a LED#B (2) estiver acesa ou a piscar, os dados armazenados na ferramenta podem ser apagados.



### Regular a tensão de aperto (Fig. 7, 8 e 9)

Quando quiser aparafusar parafusos de máquina, parafusos para madeira, parafusos sextavados; etc. com a tensão de aperto predeterminada, regule esta última da forma seguinte.

1. Primeiro retire a bateria da ferramenta.
2. Solte e retire o parafuso que prende o anel.  
(Soltar os dois parafusos que prendem o anel só para a BFL201R)
3. Rode o anel existente na parte da frente da ferramenta à mão, para que o orifício existente por baixo do anel fique visível.
4. Coloque a bateria no lugar e pressione o interruptor de gatilho. Solte-o para que o anel de ajuste rode e fique visível no orifício. Depois retire a bateria.
5. Utilize um punho de ajuste adicional para ajustar a tensão de aperto. Introduza o pino do punho de ajuste no orifício na parte da frente da ferramenta. Depois, rode o punho de ajuste para a direita para regular uma tensão de aperto maior e para a esquerda para regular uma tensão de aperto menor.
6. Alinhe a extremidade do anel de regulação com o número desejado na escala no binário de aperto.
7. Introduza a bateria e verifique se regulou a tensão de aperto utilizando um verificador da tensão de aperto.
8. Rode o anel de modo a que o orifício para ajustar o punho esteja coberto, agarre e depois prenda o anel com o parafuso.

#### NOTA:

- Os números da escala da tensão de aperto servem de guia para regular a tensão de aperto desejada.

### ASSEMBLAGEM

#### PRECAUÇÃO:

- Certifique-se sempre de que a ferramenta está desligada e a bateria retirada antes de executar qualquer manutenção na ferramenta.

#### Seleção do conector correcto

Há diferentes tipos de conectores para alguns modelos dependendo das aplicações. Escolha e instale o conector correcto para a sua aplicação.

#### Instalar ou retirar o conector (Fig. 10)

Para instalar o conector, empurre-o para o cubo de transmissão da ferramenta com uma mão e carregando num pino do cubo de transmissão com a outra mão até o encaixar no lugar. Para retirar o conector, basta puxá-lo carregando no pino do cubo de transmissão.

### FUNCIONAMENTO

Agarre na ferramenta firmemente e coloque o conector sobre o perno ou porca. Em seguida ligue a ferramenta. Quando a embraiagem engata, o motor pára automaticamente. Nessa altura solte o gatilho.

#### NOTA:

- Agarre na ferramenta com o cubo de transmissão apontado direito para o perno ou porca, ou o perno ou a porca ficarão estragados.

### Limites da capacidade de tensão de aperto

Utilize a ferramenta dentro da gama do ângulo de revolução de 30° – 360°. Se utilizar a ferramenta abaixo do limite inferior desta gama, o binário não pode ser detectado (LED#A pisca em vermelho e amarelo alternadamente). Se utilizar a ferramenta acima do limite superior desta gama, a embraiagem não funcionará. E a ferramenta não oferecerá binário de aperto suficiente (LED#A pisca devagar em púrpura ou acende-se em púrpura).

#### NOTA:

- O ângulo de rotação é o ângulo a que o parafuso/perno roda quando a ferramenta atinge os 100% de 50% da tensão de aperto desejada.
- Por vezes, se utilizar uma bateria carregada a uma temperatura baixa, pode activar o indicador luminoso e o sinal sonoro de aviso relativos à capacidade da bateria fazendo com que a ferramenta pare imediatamente. Se isso acontecer, mesmo que esteja a utilizar uma bateria carregada, os limites da capacidade da tensão de aperto podem ser inferiores aos mostrados abaixo.

### MANUTENÇÃO

#### PRECAUÇÃO:

- Certifique-se sempre de que a ferramenta se encontra desligada e de que a bateria foi retirada antes de executar qualquer inspecção ou manutenção.

Para manter a SEGURANÇA e FIABILIDADE, as reparações e outras acções de manutenção ou ajustes devem ser executados pelos Centros de assistência autorizados da Makita, utilizando sempre peças de substituição Makita.

### ACESSÓRIOS

#### PRECAUÇÃO:

- Estes acessórios ou acoplamentos são os recomendados para uso na ferramenta MAKITA especificada neste manual. A utilização de quaisquer outros acessórios ou acoplamento poderá ser perigosa para o operador. Os acessórios ou acoplamentos devem ser utilizados de maneira adequada e apenas para os fins a que se destinam.

Se necessitar de informações adicionais relativas a estes acessórios, solicite-as ao seu centro de assistência Makita.

- Protector (Amarelo, Azul, Vermelho, Transparente)
- Bateria e carregador genuínos da Makita
- Adaptador automático de renovação
- Punho de ajuste
- Conjunto da alavanca interruptora
- Eixo completo 12,7
- Receptor RCV02
- Disco de instalação do software (CD-ROM) excepto para o modelo BFT041R
- Adaptador de série USB
- Cabo RS-232C

## Illustrationsoversigt

1 Rød del	8 LED#B1	15 Justeringshåndtag
2 Knap	9 LED#B2	16 Gul linje
3 Batteripatron	10 Skruer	17 Trykfjeder
4 Afbryder	11 Vinkelhoved	18 Top
5 Omløbsvælger	12 Hul til justeringshåndtag	19 Hul
6 Lampe	13 Ring	20 Stift
7 LED#A	14 Skala	

## SPECIFIKATIONER

Model		BFL201R	BFL301R	BFL402R
Drejningsmoment	Kraftig iskrurning	10 – 20 N•m	16 – 30 N•m	25 – 40 N•m
	Let iskrurning	10 – 20 N•m	16 – 30 N•m	25 – 40 N•m
Firkantdrev		9,5 mm	9,5 mm	9,5 mm
Omdrejninger ubelastet (min <sup>-1</sup> )		360	260	200
Mål		429 mm x 72 mm x 98 mm	477 mm x 72 mm x 98 mm	477 mm x 72 mm x 98 mm
Vægt		1,7 kg	2,0 kg	2,0 kg
Spænding		D.C. 14,4 V		

- Ret til tekniske ændringer forbeholdes.
- Bemærk: Data kan variere fra land til land.

## Tilsigtet anvendelse

Denne maskine er beregnet til skruening i træ, metal og plasticmaterialer.

## Sikkerhedsbestemmelser

Af sikkerhedsgrunde bør De sætte Dem ind i de medfølgende Sikkerhedsforskrifter.

## YDERLIGERE SIKKERHEDSFORSKRIFTER FOR MASKINEN

LAD IKKE bevægelighed og kendskab til produktet (opnået gennem gentagen anvendelse) forhindre Dem i nøje at overholde sikkerhedsforskrifterne for skruetrækkeren. Hvis dette el-værktøj anvendes på en måde, som ikke er sikkerhedsmæssig forsvarlig eller på en forkert måde, kan resultatet blive alvorlige kvæstelser.

1. Hold kun ved de isolerede greb og overflader, når De udfører arbejde, hvor det skærende værktøj kan komme i kontakt med skjulte ledninger eller dets egen ledning.  
Kontakt med en strømførende ledning vil også gøre uafdækkede metaldele på maskinen strømførende og give operatøren stød.
2. Sørg for, at De altid har sikkert fodfæste. Ved brug af maskinen i større højde bør De sikre Dem, at der ikke står personer nedenunder arbejdsområdet.
3. Hold godt fast på maskinen.
4. Hold hænderne væk fra roterende dele.
5. Berør ikke værktøjet eller emnet umiddelbart efter brug. Disse dele kan være ekstremt varme og forårsage forbrændinger ved berøring.

## GEM DISSE FORSKRIFTER.

## ADVARSEL:

**MISBRUG eller forsømmelse af overholdelse af sikkerhedsforskrifterne i denne brugsvejledning kan resultere i alvorlig personskade.**

## VIGTIGE SIKKERHEDSFORSKRIFTER FOR BATTERIPATRONEN

1. Læs alle instruktioner og advarselmærkater på (1) batteriopladeren, (2) batteriet og (3) produktet, som anvender batterier.
2. Lad være med at skille batteripatronen ad.
3. Hold straks op med at anvende opladeren, hvis brugstiden er blevet stærkt afkortet. Fortsat anvendelse kan resultere i risiko for overophedning, forbrændinger og endog eksplosion.
4. Hvis du har fået batterielektrolyt i øjnene, skal du straks skylle den ud med rent vand og derefter øjeblikkeligt søge lægehjælp. I modsat fald kan resultatet blive, at du mister synet.
5. Vær påpasselig med ikke at komme til at kortslutte batteripatronen:
  - (1) Rør ikke ved terminalerne med noget ledende materiale.
  - (2) Undgå at opbevare batteripatronen i en beholder sammen med andre genstande af metal, som for eksempel søm, mønter og lignende.
  - (3) Udsæt ikke batteripatronen for vand eller regn.  
Kortslutning af batteriet kan være årsag til en kraftig øgning af strømmen, overophedning, mulige forbrændinger og endog maskinstop.
6. Opbevar ikke maskinen og batteripatronen på et sted, hvor temperaturen kan nå eller overstige 50°C.

7. Lad være med at brænde batteriet, selv ikke i tilfælde, hvor det har lidt alvorlig skade eller er fuldstændig udtjent. Batteripatronen kan eksplodere, hvis man forsøger at brænde den.
8. Lad være med at brænde batteriet eller udsætte det for stød.

## GEM DENNE BRUGSANVISNING.

### Tips til opnåelse af maksimal batterilevetid

1. Oplad altid batteripatronen, inden den er helt afladet.  
Stop altid maskinen og oplad batteripatronen, hvis det bemærkes, at maskineffekten er dalende.
2. Genoplad aldrig en fuldt opladet batteripatron. Overopladning vil afkorte batteriets levetid.
3. Oplad batteripatronen ved stuetemperatur ved 10°C – 40°C. Lad altid en varm batteripatron få tid til at køle af, inden den oplades.

## FUNKTIONSBESKRIVELSE

### ADVARSEL:

- Sørg altid for at maskinen er slukket, og at akkuen er taget ud, før der udføres justering eller kontrol af funktioner på maskinen.

### Isætning og udtagning af batteripatron (Fig. 1)

- Sluk altid for maskinen, før batteripatronen sættes i eller tages ud.
- For at fjerne batteripatronen skydes knappen på forsiden af akkuen til siden, mens batteripatronen trækkes ud af maskinen.
- Isæt batteripatronen ved at rette dens tunge ind efter rillen i huset. Skyd derefter batteripatronen helt ind, til den låser på plads med et klik. Hvis De kan se den røde del på den øvre del af knappen, er batteripatronen ikke låst korrekt. Skyd den helt ind, indtil den røde del ikke kan ses. Hvis batteripatronen ikke sættes i på denne måde, kan den ved et uheld falde ud af maskinen, og eventuelt forvolde personskaade på Dem selv eller personer i nærheden.
- Brug aldrig magt, når batteripatronen sættes i. Hvis ikke batteripatronen glider i uden besvær, er det fordi, at den vender forkert.

### Afbryderbetjening (Fig. 2)

#### FORSIGTIG:

- Inden batteripatronen sættes i maskinen, bør De altid kontrollere, at afbryderknappen fungerer korrekt og returnerer til "OFF" positionen, når den slippes.

For at starte maskinen trykkes der blot på afbryderen. Slip afbryderen for at stoppe.

### Omløbsvælger (Fig. 3)

#### FORSIGTIG:

- Kontrollér altid omløbsretningen, inden arbejdet påbegyndes.
- Flyt kun omløbsvælgeren, når maskinen er helt standset. Hvis omløbsretningen ændres, inden maskinen er helt stoppet, kan det beskadige maskinen.
- Sæt altid omløbsvælgeren i neutral stilling, når maskinen ikke anvendes.

Denne maskinen har en omløbsvælger til at skifte omløbsretning. Skub omløbsvælgeren ind fra A-siden for omdrejning med uret, og fra B-siden for omdrejning mod uret.

Når omløbsvælgeren er i neutral stilling, kan afbryderknappen ikke trykkes ind.

### Tænd af lamperne (Fig. 4)

#### FORSIGTIG:

- Kig aldrig direkte på lyskilden. Lad ikke lyset falde i Deres øjne.

Tryk afbryderknappen ind for at tænde lampen. Lampen bliver ved med at lyse, så længe afbryderknappen holdes inde. Lyser slukker automatisk efter 10 sekunder, når afbryderknappen slippes.

#### BEMÆRK:

- Anvend en tør klud til at tørre snavs af lampens linse. Undgå at ridse lampens linse, da det kan nedsætte lysstyrken.

## LED indikator/Bipper

### For LED#A (Fig. 5)

LED indikatoren/bipperen på maskinen viser følgende funktioner.

Status på LED indikator/Bipper		Funktion	Status	Betjening der skal udføres
LED indikator	Bipper			
Lyser Grønt → Rød → Blå → Hvid i rækkefølge	En række meget korte bip	Kontroller LED#A, lampe og bipper (når der trykkes på afbryderen for første gang, efter at der er sat en batteripatron i maskinen).	Bekræft, at den grønne, røde, blå og hvide LED lyser og bipper korrekt.	—
Blinker langsomt i violet.	En række lange bip	Advarsel for batteripatronens batterikapacitet	Angiver det passende tidspunkt, hvor batteripatronen skal skiftes ud, når batterieffekten er blevet lav.	Skift batteriet ud med et fuldt opladet batteri.
Lyser violet	Et langt bip	Kontrol af den tilbageværende batterikapacitet, Autostop	Denne funktion fungerer, når batterieffekten er næsten opbrugt. På dette tidspunkt stopper maskinen med det samme.	Skift batteriet ud med et fuldt opladet batteri.
Lyser skiftevis rødt og grønt.	En række korte bip	Anti-nulstilling af regulator	Denne funktion fungerer, hvis et unormalt fald i batterispændingen af en eller anden grund indtræffer, og maskinen stopper.	Skift batteriet ud med et autoriseret Makita batteri.
		Motorsammenbrud	Denne funktion fungerer, hvis motoren er brudt sammen.	Indlever den til et autoriseret Makita service-center.
Blinker hurtigt i rødt.	En række korte bip	Overophedning	Denne funktion fungerer, hvis regulatorens eller motorens temperatur stiger meget, og motoren stopper.	Fjern øjeblikkeligt batteripatronen og lad maskinen køle af.
Grøn (blå når serien er fuldført i maskine-ståalene indstilling)		Auto-stop fastgørelse	Denne funktion fungerer, når maskinen er nået inden for det drejningsmomentområde, som er forindstillet på PC, og normal stramning er fuldført. (Bemærk)	—
Lyser rødt.	Et langt bip	Resultat af drejningsmomentbedømmelse: IKKE OK (høj)	Dette fungerer, når maskinen er nået over det drejningsmomentområde, som er forindstillet på PC. (Bemærk)	—
Lyser gult.	Et langt bip	Resultat af drejningsmomentbedømmelse: IKKE OK (lav)	Dette fungerer, når maskinen er nået under det drejningsmomentområde, som er forindstillet på PC. (Bemærk)	—

Status på LED indikator/Bipper		Funktion	Status	Betjening der skal udføres
LED indikator	Bipper			
Blinker skiftevis rødt og grønt.	Et langt bip	Advarsel ang. utilstrækkelig fastgørelse	Fastgørelse er ufuldkommen, hvis maskinens afbryder slippes, inden koblingen aktiveres.	—
		Dobbeltslagsdetektering	Denne funktion fungerer, når en skrue fastgøres igen efter fastgørelse.	—
		Vinkelbedømmelse IKKE OK	Denne funktion fungerer, når en skrue ikke fastgøres inden for det vinkelområde, som er forindstillet på PC. (Bemærk)	—
		Nedslidt IKKE OK	Denne funktion fungerer, når en fastgørelse afsluttes, inden den når det forindstillede vinkelområde. (Bemærk)	—
		Umuligt at overvåge moment	Denne funktion fungerer, når overvågning af moment ikke kan udføres. (Når hårdt led anvendes)	—
Blinker skiftevis rødt og blåt.	En række korte bip	Afbrydelse (når receiveren RCV02 anvendes)	Radiokommunikation er endnu ikke etableret	Fuldfør den nødvendige forbindelse eller fjern en batteripatron for at undslippe.
		Mislykket radiokommunikation	Denne funktion fungerer, hvis radiokommunikation fejler.	Indlever den til et autoriseret Makita service-center.

Bemærk: Disse værdier kan ændres på PC. Se SRCV02 BRUGSANVISNING angående detaljer.

#### For LED#B (Fig. 6)

LED indikatoren/bipperen på maskinen viser følgende funktioner.

Beskrivelse	Vist farve	Visning og status			
LED#B (1)	Grøn	1	lyser	når maskinen er sluttet til en receiver.	
		2	blinker	når maskinen er ved at blive sluttet til receiveren. (Bemærk 1)	
		3	slukkes	en af de herunder viste status	
				3-1	når batteripatronen er fjernet fra maskinen.
				3-2	når maskinen efterlades i tomgang i mere end 15 minutter med en isat batteripatron.
		3-3	når maskinen ikke er inden for transmissionsafstanden. (Bemærk 2)		
LED#B (2)	Rød	1	lyser	når maskinens lagrede antal data når det antal data, som kan lagres.	
		2	blinker	når maskinens lagrede antal data er identisk med eller mindre end antal data, som kan lagres.	
		3	slukkes	når maskinen ikke har nogen lagrede data at overføre til en receiver.	

Bemærk 1: Se brugsanvisningen for receiveren (ekstraudstyr) RCV02, når den tilsluttes.

Bemærk 2: Kommunikationsafstand: 10 m eller mindre (kan varieres op til 10 m, afhængigt af brugsforholdene)

#### FORSIGTIG:

- Sørg for, at LED#B (2) ikke lyser, inden en batteripatron tages ud af maskinen. Hvis en batteripatron tages ud af maskinen, mens LED#B (2) lyser eller blinker, vil de i maskinen gemte data blive slettet.

## Justering af drejningsmoment (Fig. 7, 8 og 9)

Når De ønsker at iskrue maskinskruer, træskrue, sekskantbolte, osv. med et forindstillet drejningsmoment, justerer drejningsmomentet som følger.

1. Tag første batteripatronen ud af maskinen.
2. Løsn og fjern den skrue, der holder ringen.  
(Løsn de to skrue, som fastholder ringen udelukkende for BFL201R)
3. Drej ringen forrest på maskinen med hånden, indtil der ses et hul under ringen.
4. Sæt batteripatronen i, og tryk på afbryderknappen. Slip afbryderknappen, således at justeringsringen drejer og bliver synlig i hullet. Tag derefter batteripatronen ud.
5. Anvend et justeringshåndtag (ekstraudstyr) til at indstille drejningsmomentet. Før stiften på justeringshåndtaget ind i hullet forrest på maskinen. Drej derefter justeringshåndtaget med uret for at indstille et højere drejningsmoment, og mod uret for at indstille et mindre drejningsmoment.
6. Juster kanten af justeringsringen med det ønskede tal på drejningsmomentskalaen.
7. Sæt batteripatronen i, og benyt en momentnøgle til at kontrollere, at det korrekte drejningsmoment er blevet indstillet.
8. Drej ringen, så hullet til justeringshåndtaget er dækket, hold og fastgør derefter ringen med skruen.

### BEMÆRK:

- Tallene på skalaen for drejningsmoment er ment som vejledende til hjælp ved indstilling af det ønskede drejningsmoment.

## SAMLING

### ADVARSEL:

- Sørg altid for at maskinen er slukket, og at batteripatronen er taget ud, før der udføres noget arbejde på maskinen.

### Valg af korrekt top

Til nogle modeller findes der forskellige typer toppe, afhængigt af anvendelsen. Vælg og monter den top, der passer til din anvendelse.

## Montering og afmontering af top (Fig. 10)

Toppen monteres ved at man, mens man med den ene hånd trykker stiften på den firkantede kraftoverføring ind, sætter toppen på den firkantede kraftoverføring på maskinen, indtil toppen låser på plads. Toppen afmonteres ved at man ganske enkelt trækker den af, mens man holder stiften på den firkantede kraftoverføring inde.

## BETJENING

Hold maskinen fast, og sæt toppen over boltten eller møtrikken. Tænd for maskinen. Motoren stopper automatisk, når koblingen slår til. Slip derefter afbryderen.

### BEMÆRK:

- Hold maskinen, så firkantdrevet vender direkte mod boltten eller møtrikken. I modsat fald kan boltten eller møtrikken blive beskadiget.

### Grænser for fastspændingskapacitet

Anvend maskinen indenfor området af omdrejningsvinklen 30° – 360°. Hvis maskinen anvendes under den nedre grænse for dette område, kan momentet ikke opdades (LED#A blinker skiftevis rødt og gult). Hvis maskinen anvendes over dens øvre grænse for dette område, vil koblingen ikke fungere. Og maskinen kan ikke levere et tilstrækkeligt drejningsmoment (LED#A blinker langsom i violet eller lyser i violet).

### BEMÆRK:

- Omdrejningsvinkel henviser til den vinkel (afstand), som en skrue/bolt drejer, når maskinen opnår 100% til 50% af det ønskede drejningsmoment.
- Anvendelse af et batteripatron med en meget lav temperatur kan sommetider udløse en advarsel om lav batterikapacitet gennem aktiveret advarselslampe og bilyd, hvilket får maskinen til at stoppe øjeblikkeligt. I dette tilfælde kan fastspændingskapacitetsområdet blive mindre end angivet ovenfor, også selv om der anvendes en opladet batteripatron.

## VEDLIGEHOLDELSE

### ADVARSEL:

- Sørg altid for at maskinen er slukket, og at batteripatronen er taget ud før der gennemføres noget arbejde på selve maskinen.

For at opretholde produktets SIKKERHED og PÅLIDELIGHED bør reparationer, anden vedligeholdelse eller justeringer altid udføres af et Makita Service Center, idet der altid bør anvendes Makita reservedele.

### TILBEHØR

#### ADVARSEL:

- Dette udstyr og tilbehør bør anvendes sammen med Deres Makita maskine, sådan som det er beskrevet i denne vejledning. Anvendelse af andet udstyr eller tilbehør kan medføre personskade. Tilbehøret bør kun anvendes til det, det er beregnet til.

Hvis De behøver hjælp ved valg af tilbehør eller ønsker yderligere informationer, bedes De kontakte Deres lokale Makita service center.

- Beskyttelseshætte (Gul, Blå, Rød, Klar)
- Originalt batteri og oplader fra Makita
- Automatisk genopfriskningsadapter
- Justeringshåndtag
- Omløbsvælgersæto
- Spindelkomplet 12,7
- Receiver RCV02
- Softwareinstallationsdisc (CD-ROM), undtagen for model BFT041R
- USB-seriel adapter
- RS-232C-kabel

## Περιγραφή γενικής άποψης

1 Κόκκινο τμήμα	7 LED#A	14 Κλίμακα
2 Κουμπί	8 LED#B1	15 Προσαρμοστική λαβή
3 Κασέτα μπαταρίας	9 LED#B2	16 Κίτρινη γραμμή
4 Σκανδάλη διακόπτης	10 Βίδα	17 Ελατήριο συμπίεσης
5 Μοχλός διακόπτη αντιστροφής	11 Γωνιακή κεφαλή	18 Υποδοχή
6 Λαμπάκι	12 Οπή για προσαρμοστική λαβή	19 Οπή
	13 Δακτύλιος	20 Πείρος

## ΤΕΧΝΙΚΑ ΧΑΡΑΚΤΗΡΙΣΤΙΚΑ

Μοντέλο		BFL201R	BFL301R	BFL402R
Ροπή στερέωσης	Σκληρός σύνδεσμος	10 – 20 N•m	16 – 30 N•m	25 – 40 N•m
	Μαλακός σύνδεσμος	10 – 20 N•m	16 – 30 N•m	25 – 40 N•m
Τετραγωνικός οδηγός		9,5 χιλ.	9,5 χιλ.	9,5 χιλ.
Ταχύτητα χωρίς φορτίο (λεπ <sup>-1</sup> )		360	260	200
Διαστάσεις		429 χιλ. x 72 χιλ. x 98 χιλ.	477 χιλ. x 72 χιλ. x 98 χιλ.	477 χιλ. x 72 χιλ. x 98 χιλ.
Καθαρό βάρος		1,7 Χγρ.	2,0 Χγρ.	2,0 Χγρ.
Καθορισμένο βολτάζ		D.C. 14,4 V		

- Λόγω του συνεχιζόμενου προγράμματος έρευνας και ανάπτυξης, οι παρούσες προδιαγραφές υπόκεινται σε αλλαγή χωρίς προειδοποίηση.
- Παρατήρηση: Τα τεχνικά χαρακτηριστικά μπορεί να διαφέρουν από χώρα σε χώρα.

## Προσζόμενη χρήση

Αυτό το εργαλείο προορίζεται για βίδωμα σε ξύλο, μέταλλο και πλαστικό.

## Υποδείξεις ασφάλειας

Για την προσωπική σας ασφάλεια, ανατρέξτε στις εσώκλειστες οδηγίες ασφάλειας.

## ΕΠΙΠΡΟΣΘΕΤΕΣ ΟΔΗΓΙΕΣ ΑΣΦΑΛΕΙΑΣ ΓΙΑ ΤΟ ΜΗΧΑΝΗΜΑ

Μην επιτρέψετε στη βολικότητα ή εξοικείωση με το προϊόν (που αποκτήθηκε από επανειλημμένη χρήση) να αντικαταστήσει την αυστηρή προσήλωση στους κανόνες ασφάλειας του κατασκευαστή. Εάν χρησιμοποιείτε το ηλεκτρικό εργαλείο αυτό χωρίς ασφάλεια ή με πλημμελή τρόπο, μπορεί να υποστείτε σοβαρό προσωπικό τραυματισμό.

1. Κρατάτε τα ηλεκτρικά εργαλεία από τις μονωμένες επιφάνειες επαφής όταν εκτελείτε μία εργασία όπου το κοπτικό εργαλείο μπορεί να κάνει επάφή με κρυμμένα καλώδια ή και με το δικό του κορδόνι. Επαφή με ένα “ζωντανό” (ηλεκτροφόρο) σύρμα θα καταστήσει τα εκτεθειμένα μεταλλικά μέρη ηλεκτροφόρα και θα προκληθεί ηλεκτροπληξία στον χειριστή.
2. Πάντοτε βεβαιώνετε ότι πατάτε γερά. Βεβαιώνετε ότι κανείς δεν είναι από κάτω, όταν χρησιμοποιείτε το μηχάνημα σε ψηλά μέρη.
3. Κρατάτε το μηχάνημα σταθερά.

4. Κρατάτε τα χέρια σας μακριά από τα περιστρεφόμενα μέρη.

5. Μην αγγίζετε την αιχμή ή το αντικείμενο εργασίας αμέσως μετά τη λειτουργία, γιατί μπορεί να είναι εξαιρετικά θερμά και να σας προκαλέσουν εγκαύματα.

## ΦΥΛΑΞΕΤΕ ΑΥΤΕΣ ΤΙΣ ΟΔΗΓΙΕΣ.

## ΠΡΟΕΙΔΟΠΟΙΗΣΗ:

**ΚΑΚΗ ΧΡΗΣΗ** ή αμέλεια να ακολουθήσετε τους κανόνες ασφάλειας που περιγράφονται σ' αυτό το εγχειρίδιο οδηγιών μπορεί να προκαλέσει σοβαρό προσωπικό τραυματισμό.

## ΣΗΜΑΝΤΙΚΕΣ ΟΔΗΓΙΕΣ ΑΣΦΑΛΕΙΑΣ ΓΙΑ ΚΑΣΕΤΑ ΜΠΑΤΑΡΙΑΣ

1. Πριν χρησιμοποιήσετε την κασέτα μπαταρίας, διαβάστε όλες τις οδηγίες και σημειώσεις προφύλαξης (1) στον φορτιστή μπαταρίας, (2) στην μπαταρία και (3) στο προϊόν που χρησιμοποιεί την μπαταρία.
2. Μην αποσυρμολογήσετε την κασέτα μπαταρίας.
3. Εάν ο χρόνος λειτουργίας έχει γίνει υπερβολικά βραχύς, σταματήστε την λειτουργία αμέσως. Αλλιώς, μπορεί να έχει ως αποτέλεσμα κίνδυνο υπερθέρμανσης, πιθανά εγκαύματα ή ακόμη και έκρηξη.
4. Εάν ηλεκτρολύτης μπει στα μάτια σας, ξεπλύνετε τα με καθαρό νερό και ζητήστε ιατρική φροντίδα αμέσως. Αλλιώς, μπορεί να έχει ως αποτέλεσμα απώλεια της όρασης σας.
5. Μη βραχυκυκλώνετε την κασέτα μπαταρίας: (1) Μην αγγίζετε τους πόλους με οτιδήποτε αγώγιμο υλικό.

(2) Αποφεύγετε να αποθηκεύετε την κασέτα μπαταρίας μέσα σε ένα δοχείο μαζί με άλλα μεταλλικά αντικείμενα όπως καρφιά, νομίσματα, κλπ.

(3) Μην εκθέτε την κασέτα μπαταρίας στο νερό ή στη βροχή.

Ενα βραχυκύκλωμα μπαταρίας μπορεί να προκαλέσει μεγάλη ροή ρεύματος, υπερθέρμανση, πιθανά εγκαύματα ακόμη και σοβαρή βλάβη.

6. Μην αποθηκεύετε το εργαλείο και την κασέτα μπαταρίας σε τοποθεσίες όπου η θερμοκρασία μπορεί να φτάσει ή να ξεπεράσει τους 50°C.
7. Μη καίτε την κασέτα μπαταρίας ακόμη και εάν έχει σοβαρή ζημιά ή είναι εντελώς φθαρμένη. Η κασέτα μπαταρίας μπορεί να εκραγεί στην φωτιά.
8. Προσέχετε να μη ριζέτε κάτω ή χτυπήσετε την μπαταρία.

## ΦΥΛΑΞΤΕ ΤΙΣ ΟΔΗΓΙΕΣ ΑΥΤΕΣ.

### Συμβουλές για διατήρηση μέγιστης ζωής μπαταρίας

1. Φορτίζετε την κασέτα μπαταρίας πριν από την πλήρη αποφόρτιση της. Πάντοτε σταματάτε την λειτουργία του εργαλείου και φορτίζετε την κασέτα μπαταρίας όταν παρατηρείτε μειωμένη ισχύ εργαλείου.
2. Ποτέ μην επαναφορτίζετε μία πλήρως φορτισμένη κασέτα μπαταρίας. Υπερφόρτιση μειώνει την ωφέλιμη ζωή της μπαταρίας.
3. Φορτίζετε την κασέτα μπαταρίας σε θερμοκρασία δωματίου 10°C – 40°C. Αφήστε μία θερμή κασέτα μπαταρίας να κρυώσει πριν την φορτίσετε.

## ΛΕΙΤΟΥΡΓΙΚΗ ΠΕΡΙΓΡΑΦΗ

### ΠΡΟΣΟΧΗ:

- Πάντοτε βεβαιώνετε ότι το εργαλείο είναι σβηστό και η κασέτα μπαταρίας έχει αφαιρεθεί πριν ρυθμίσετε ή ελέγξετε κάποια λειτουργία στο εργαλείο.

### Τοποθέτηση ή αφαίρεση της κασέτας μπαταρίας (Εικ. 1)

- Πάντοτε σβήνετε το εργαλείο πριν την τοποθέτηση ή αφαίρεση της μπαταρίας.
- Για να αφαιρέσετε την κασέτα μπαταρίας, τραβήχτε την από το εργαλείο ενώ σύρετε το κουμπί στο εμπρόσθιο μέρος της κασέτας.
- Για να τοποθετήσετε την κασέτα μπαταρίας, ευθυγραμμίστε την γλώσσα στην κασέτα μπαταρίας με την εγκοπή στο περίβλημα και σύρτε την στη θέση της. Πάντοτε εισάγετε την εντελώς μέσα μέχρι να κλειδώσει στη θέση της με ένα μικρό κλικ. Εάν το κόκκινο τμήμα στο επάνω μέρος του κουμπού είναι ορατό δεν έχει κλειδώσει καλά. Εισάγετε την κασέτα εντελώς μέχρι το κόκκινο τμήμα να μην είναι ορατό. Αλλιώς, μπορεί τυχαίως να πέσει έξω από το εργαλείο και να προκαλέσει τραυματισμό σε σας ή σε κάποιον άλλον γύρω σας.
- Μη χρησιμοποιείτε δύναμη όταν τοποθετείτε την κασέτα μπαταρίας. Εάν η κασέτα δεν γλιστράει μέσα με ευκολία, δεν είναι τοποθετημένη σωστά.

## Λειτουργία διακόπτη (Εικ. 2)

### ΠΡΟΣΟΧΗ:

- Πριν βάλετε την κασέτα μπαταρίας μέσα στο εργαλείο, πάντοτε ελέγχετε να δείτε ότι η σκανδάλη διακόπτης ενεργοποιείται κανονικά και επιστρέφει στη θέση "OFF" όταν ελευθερώνεται.

Για να ξεκινήσετε το εργαλείο, απλώς τραβήχτε την σκανδάλη διακόπτη. Ελευθερώστε την σκανδάλη διακόπτη για να σταματήσει.

## Λειτουργία διακόπτη αντιστροφής (Εικ. 3)

### ΠΡΟΣΟΧΗ:

- Πάντοτε ελέγχετε την διεύθυνση περιστροφής πριν την λειτουργία.
- Χρησιμοποιείτε τον διακόπτη αντιστροφής μόνο όταν το εργαλείο σταματά εντελώς. Αλλάζοντας την διεύθυνση περιστροφής πριν σταματήσει το εργαλείο θα προκαλέσετε ζημιά στο εργαλείο.
- Όταν δεν λειτουργείτε το εργαλείο, πάντοτε τοποθετείτε τον μοχλό του διακόπτη αντιστροφής στην ουδέτερη θέση.

Αυτό το εργαλείο έχει ένα διακόπτη αντιστροφής για να αλλάζει την φορά περιστροφής. Πατήστε το μοχλό του διακόπτη αντιστροφής από την πλευρά Α για δεξιόστροφη περιστροφή ή από την πλευρά Β για αριστερόστροφη περιστροφή.

Όταν ο μοχλός του διακόπτη αντιστροφής βρίσκεται στην ουδέτερη θέση, ο διακόπτης αντιστροφής δεν μπορεί να τραβηχθεί.

## Ανάβοντας τα λαμπάκια (Εικ. 4)

### ΠΡΟΣΟΧΗ:

- Μη κυττάτε το φώς ή την πηγή του φωτός απευθείας.

Τραβήχτε την σκανδάλη διακόπτη για να ανάψετε το λαμπάκι. Το λαμπάκι συνεχίζει να είναι αναμμένο ενώ η σκανδάλη είναι τραβηγμένη. Το λαμπάκι σβήνει αυτόματα σε 10 δευτερόλεπτα αφού η σκανδάλη διακόπτης έχει ελευθερωθεί.

### ΣΗΜΕΙΩΣΗ:

- Χρησιμοποιείτε ένα ξηρό ύφασμα για να σκουπίσετε τους ρύπους από τους φακούς στα λαμπάκια. Προσέχετε να μη γρατσουνίσετε τους φακούς στα λαμπάκια διαφορετικά θα μειωθεί ο φωτισμός.



## Ενδειξη LED / Ηχητής

### Για LED#A (Εικ. 5)

Ενδειξη LED / Ο ηχητής στο εργαλείο δείχνει τις ακόλουθες λειτουργίες.

Κατάσταση της ένδειξης LED / ηχητής		Λειτουργία	Κατάσταση	Απαιτούμενη ενέργεια
Ενδειξη LED	Ηχητής			
Ανάβει με Πράσινο → Κόκκινο → Μπλε → Άσπρο στη σειρά	Μία σειρά από πολύ βραχεία μπιπ	Ελέγξτε LED#A, φως και ηχητή (όταν τραβάτε την σκανδάλη διακοπή για πρώτη φορά μετά την τοποθέτηση μιάς μπαταρίας στο εργαλείο)	Βεβαιωθείτε ότι το πράσινο, κόκκινο, μπλε και άσπρο LED ανάβουν και ότι ο ηχητής κτυπά κανονικά.	—
Αναβοσβύνει με μωβ χρώμα αργά.	Μιά σειρά μακρών μπιπ	Προειδοποίηση για φόρτιση κασέτας μπαταρίας	Αυτό υποδεικνύει τον κατάλληλο χρόνο για αντικατάσταση της κασέτας μπαταρίας όταν η ισχύς μπαταρίας μειώνεται.	Αντικαταστήστε την μπαταρία με μία πλήρως φορτισμένη.
Ανάβει με μωβ χρώμα	Ένα μακρύ μπιπ	Έλεγχος υπολοίπου φόρτισης μπαταρίας, Αυτόματο σταμάτημα	Αυτή η λειτουργία συμβαίνει όταν η ισχύς μπαταρίας έχει σχεδόν εξαντληθεί. Στην περίπτωση αυτή, το εργαλείο σταματά αμέσως.	Αντικαταστήστε την μπαταρία με μία πλήρως φορτισμένη.
Ανάβει με κόκκινο και πράσινο εναλλακτικά	Μία σειρά από βραχεία μπιπ	Αντι-μηδενισμός του ελεγκτή	Αυτή η λειτουργία συμβαίνει όταν γίνει μία αφύσικη πτώση ισχύος της μπαταρίας για κάποιο λόγο και το εργαλείο σταματήσει.	Αντικαταστήστε την μπαταρία με μία πλήρως φορτισμένη.
		Βλάβη κινητήρα	Αυτή η λειτουργία συμβαίνει σε περίπτωση βλάβης κινητήρα.	Αποτανθείτε σε ένα Εξουσιοδοτημένο Κέντρο Εξυπηρέτησης Μάκιτα.
Αναβοσβήνει γρήγορα με κόκκινο χρώμα.	Μία σειρά από βραχεία μπιπ	Υπερθέρμανση	Αυτή η λειτουργία συμβαίνει όταν η θερμοκρασία του ελεγκτή ή του κινητήρα ανεβαίνει πολύ ψηλά και το εργαλείο σταματά.	Αφαιρέστε την κασέτα μπαταρίας αμέσως και κρυώστε το εργαλείο.
Πράσινο (μπλε όταν έχει συμπληρωθεί ο κύκλος εργασίας στη θέση ανεξάρτητης εργασίας του εργαλείου)		Αυτόματο σταμάτημα στερέωσης	Αυτή η λειτουργία συμβαίνει όταν το εργαλείο έχει φθάσει στην προεπιλεγμένη στο PC τιμή ροπή στερέωσης και η κανονική στερέωση έχει συμπληρωθεί. (Σημείωση)	—
Ανάβει με κόκκινο.	Ένα μακρύ μπιπ	Αποτέλεσμα ένδειξης ροπής ΔΕΝ ΕΙΝΑΙ ΕΝΤΑΞΕΙ (Υψηλό)	Αυτή η λειτουργία συμβαίνει όταν το εργαλείο έχει ξεπεράσει την προεπιλεγμένη στο PC τιμή ροπής στερέωσης. (Σημείωση)	—
Ανάβει με κίτρινο.	Ένα μακρύ μπιπ	Αποτέλεσμα ένδειξης ροπής ΔΕΝ ΕΙΝΑΙ ΕΝΤΑΞΕΙ (Χαμηλό)	Αυτή η λειτουργία συμβαίνει όταν το εργαλείο έχει φθάσει κάτω από την προεπιλεγμένη στο PC τιμή ροπής στερέωσης. (Σημείωση)	—

Κατάσταση της ένδειξης LED / ηχητής		Λειτουργία	Κατάσταση	Απαιτούμενη ενέργεια
Ενδειξη LED	Ηχητής			
Αναβοσβήνει με κόκκινο και κίτρινο εναλλακτικά.	Ένα μακρύ μπιπ	Προειδοποίηση για ανεπαρκή στερέωση	Η στερέωση είναι ατελής όταν η σκανδάλη διακόπτης του εργαλείου ελευθερώνεται πριν από την ενεργοποίηση του συμπλέκτη.	—
		Ανίχνευση διπλού χτυπήματος	Αυτή η λειτουργία συμβαίνει όταν μία βίδα επαναστερώνεται μετά την στερέωση.	—
		Γωνία εκτίμησης ΔΕΝ ΕΙΝΑΙ ΕΝΤΑΞΕΙ	Αυτή η λειτουργία συμβαίνει όταν μία βίδα δεν είναι στερεωμένη μέσα στο πεδίο τιμών γωνίας που είναι προεπιλεγμένο στο PC. (Σημείωση)	—
		Εξάντληση ΔΕΝ ΕΙΝΑΙ ΕΝΤΑΞΕΙ	Αυτή η λειτουργία συμβαίνει όταν μία στερέωση τελειώσει πριν φθάσει την προεπιλεγμένη τιμή γωνίας. (Σημείωση)	—
		Αδύνατη παρακολούθησ η ροπής	Αυτή η λειτουργία συμβαίνει όταν είναι αδύνατη η παρακολούθηση ροπής. (Όταν χρησιμοποιείται σκληρός σύνδεσμος)	—
Αναβοσβήνει με κόκκινο και μπλε εναλλακτικά.	Μία σειρά από βραχεία μπιπ	Αποσύνδεση (όταν χρησιμοποιείται ο δέκτης RCV02)	Δεν έχει ακόμη επιτευχθεί ραδιο - επικοινωνία	Τελειώστε την απαραίτητη σύνδεση ή αφαιρέστε μία κασέτα μπαταρίας για έξοδο.
		Αποτυχία ραδιο - επικοινωνίας	Αυτή η λειτουργία συμβαίνει όταν υπάρχει αποτυχία ραδιο - επικοινωνίας.	Αποτανθείτε σε ένα Εξουσιοδοτημένο Κέντρο Εξυπηρέτησης Μάκιτα.

Σημείωση: Οι τιμές αυτές μπορεί να αλλαχθούν στο PC. Ανατρέξτε στις ΟΔΗΓΙΕΣ ΧΡΗΣΗΣ SRC02 για λεπτομέρειες.

## Για LED#B (Εικ. 6)

Ενδειξη LED / Ο ηχητής στο εργαλείο δείχνει τις ακόλουθες λειτουργίες.

Περιγραφή	Θεαθέν χρώμα	Οψη και κατάσταση			
LED#B (1)	Πράσινο	1	ανάβει	όταν το εργαλείο είναι συνδεδεμένο σε ένα δέκτη.	
		2	αναβοσβήνει	όταν το εργαλείο είναι έτοιμο να συνδεθεί σε ένα δέκτη. (Σημείωση 1)	
		3	σβήνει	μία από τις παρακάτω καταστάσεις	
				3-1	όταν η κασέτα μπαταρίας αφαιρείται από το εργαλείο.
				3-2	όταν το εργαλείο έχει αφεθεί ανενεργό για περισσότερο από 15 λεπτά με τοποθετημένη την κασέτα μπαταρίας.
3-3	όταν το εργαλείο δεν βρίσκεται σε απόσταση μετάδοσης. (Σημείωση 2)				
LED#B (2)	Κόκκινο	1	ανάβει	όταν ο αποθηκευμένος αριθμός δεδομένων του εργαλείου φθάσει τον επιτρεπτό αριθμό αποθήκευσης δεδομένων.	
		2	αναβοσβήνει	όταν ο αποθηκευμένος αριθμός δεδομένων του εργαλείου είναι ίσος ή μικρότερος από τον επιτρεπτό αριθμό αποθήκευσης δεδομένων.	
		3	σβήνει	όταν το εργαλείο δεν έχει αποθηκευμένα δεδομένα να μεταδώσει σε ένα δέκτη.	

Σημείωση 1: Ανατρέξτε σε ένα εγχειρίδιο οδηγιών δέκτη RCV02 (εξάρτημα) όταν τον συνδέετε

Σημείωση 2: Απόσταση επικοινωνίας: 10 μ ή λιγότερο (μεταβλητή έως 10 μ εξαρτημένη από το περιβάλλον λειτουργίας)

### ΠΡΟΣΟΧΗ:

- Βεβαιώνετε ότι το LED#B (2) δεν ανάβει πριν αφαιρέσετε μία κασέτα μπαταρίας από το εργαλείο. Εάν μία κασέτα μπαταρίας αφαιρεθεί ενώ το LED#B (2) ανάβει ή αναβοσβήνει, τα αποθηκευμένα δεδομένα του εργαλείου θα διαγραφούν.

### Ρύθμιση της ροπής στερέωσης (Εικ. 7, 8 και 9)

Όταν επιθυμείτε να βιδώσετε μηχανόβιδες, ξυλόβιδες, εξαγωνικά μπουλόνια, κλπ. με την προκαθορισμένη ροπή, ρυθμίστε την ροπή στερέωσης ως ακολούθως.

1. Πρώτα αφαιρέστε την κασέτα μπαταρίας από το εργαλείο.
2. Χαλαρώστε και αφαιρέστε την βίδα που ασφαλίζει τον δακτύλιο.  
(Χαλαρώστε τις δύο βίδες που ασφαλίζουν τον δακτύλιο μόνο για BFL201R)
3. Περιστρέψτε τον δακτύλιο στο εμπρόσθιο μέρος του εργαλείου με το χέρι ώστε να δείτε μία οπή κάτω από το δακτύλιο.
4. Τοποθετήστε την κασέτα μπαταρίας στη θέση της και τραβήχτε την σκανδάλη διακόπτη. Ελευθερώστε την έτσι ώστε ο ρυθμιστικός δακτύλιος περιστρέφεται και γίνεται ορατός στην οπή. Τότε αφαιρέστε την κασέτα μπαταρίας.

5. Χρησιμοποιήστε μία προαιρετική λαβή για να ρυθμίσετε τη ροπή στερέωσης. Βάλτε τον πειρο της ρυθμιστικής λαβής μέσα στην οπή στο εμπρόσθιο μέρος του εργαλείου. Και τότε γυρίστε την ρυθμιστική λαβή δεξιόστροφα για να ρυθμίσετε σε μικρότερη ροπή στερέωσης.

6. Ευθυγραμμίστε την άκρη του δακτυλίου ρύθμισης με τον επιθυμητό σας αριθμό στην κλίμακα ροπής στερέωσης.

7. Βάλτε την κασέτα μπαταρίας και βεβαιωθείτε ότι μία ροπή στερέωσης έχει ρυθμιστεί χρησιμοποιώντας ένα μετρητή ροπής στερέωσης.

8. Περιστρέψτε τον δακτύλιο έτσι ώστε η τρύπα για τη ρύθμιση λαβής να καλυφθεί, κρατείστε και μετά ασφαλίστε τον δακτύλιο με την βίδα.

### ΣΗΜΕΙΩΣΗ:

- Οι αριθμοί στην κλίμακα της ροπής στερέωσης είναι ένας οδηγός για να ρυθμίσετε την επιθυμητή σας ροπή στερέωσης.

### ΣΥΝΑΡΜΟΛΟΓΗΣΗ

#### ΠΡΟΣΟΧΗ:

- Πάντοτε βεβαιώνετε ότι το εργαλείο είναι σβηστό και η κασέτα μπαταρίας έχει αφαιρεθεί πριν εκτελέσετε κάποια εργασία στο εργαλείο.

### Επιλογή σωστής υποδοχής

Υπάρχουν διαφορετικοί τύποι υποδοχών για μερικά μοντέλα ανάλογα με τις εφαρμογές. Επιλέξτε και τοποθετήστε την σωστή υποδοχή για την εφαρμογή σας.

## Τοποθέτηση ή αφαίρεση της υποδοχής (Εικ. 10)

Για να τοποθετήσετε την υποδοχή, σπρώχτε την στον τετράγωνο οδηγό του εργαλείου με το ένα χέρι πιέζοντας τον πείρο στον τετράγωνο οδηγό με το άλλο χέρι μέχρι να κλειδώσει στη θέση της. Για να αφαιρέσετε την υποδοχή, απλώς τραβήχτε την έξω πιέζοντας τον πείρο στον τετράγωνο οδηγό.

## ΛΕΙΤΟΥΡΓΙΑ

Κρατάτε το εργαλείο σταθερά και τοποθετήστε την υποδοχή πάνω από το μπουλόνι ή το παξιμάδι. Μετά ανάψτε το εργαλείο. Όταν ο συμπλέκτης εμπλακεί, ο κινητήρας θα σταματήσει αυτόματα. Τότε ελευθερώστε την σκανδάλη διακόπτη.

### ΣΗΜΕΙΩΣΗ:

- Κρατάτε το εργαλείο με τον τετράγωνο οδηγό διευθυνόμενο ίσια προς το μπουλόνι ή παξιμάδι, αλλιώς το μπουλόνι ή το παξιμάδι θα πάθουν ζημιά.

## Όρια ικανότητας στερέωσης

Χρησιμοποιείτε το εργαλείο εντός του πεδίου τιμών γωνίας περιστροφής 30° – 360°. Εάν χρησιμοποιείτε το εργαλείο κάτω από το χαμηλότερο όριο αυτού του πεδίου τιμών, η ροπή δεν μπορεί να ανιχνευθεί (LED#A αναβοσβήνει με κόκκινο και μπλε εναλλακτικά). Εάν χρησιμοποιείτε το εργαλείο πέραν του υψηλότερου ορίου αυτού του πεδίου τιμών, ο συμπλέκτης δεν εργάζεται. Και το εργαλείο δεν μπορεί να αποδώσει αρκετή ροπή στερέωσης (LED#A αναβοσβήνει με μωβ χρώμα αργά ή ανάβει με μωβ).

### ΣΗΜΕΙΩΣΗ:

- Η γωνία περιστροφής είναι η γωνία την οποία μιά βίδα / μπουλόνι διαγράφει όταν το εργαλείο φθάνει στο 100% από το 50% της επιθυμητής ροπής.
- Η χρήση μιάς κασέτας μπαταρίας ευρισκόμενης σε χαμηλή θερμοκρασία μπορεί καμιά φορά να ενεργοποιήσει το λαμπάκι προειδοποίησης και τον ηχητή για ανεπάρκεια φόρτισης μπαταρίας που αναγκάζουν το εργαλείο να σταματήσει αμέσως. Στην περίπτωση αυτή, η τιμή της ροπής στερέωσης θα είναι κατώτερη από αυτή που φαίνεται παραπάνω ακόμη και αν χρησιμοποιηθεί φορτισμένη κασέτα μπαταρίας.

## ΣΥΝΤΗΡΗΣΗ

### ΠΡΟΣΟΧΗ:

- Πριν την εκτέλεση εργασιών με τη συσκευή διαβεβαιώνστε πάντοτε, για το ότι η συσκευή σβήστηκε με απομακρυσμένο το συσσωρευτή.

Για την διατήρηση της ΑΣΦΑΛΕΙΑΣ και ΑΞΙΟΠΙΣΤΙΑΣ του προϊόντος, επισκευές, οποιαδήποτε άλλη συντήρηση ή ρύθμιση πρέπει να εκτελούνται από τα Εξουσιοδοτημένα Κέντρα Εξυπηρέτησης της Μάκιτα, με χρήση πάντοτε ανταλλακτικών Μάκιτα.

## ΕΞΑΡΤΗΜΑΤΑ

### ΠΡΟΣΟΧΗ:

- Αυτά τα ανταλλακτικά ή προσαρτήματα συνιστώνται για χρήση με το εργαλείο σας της Μάκιτα που περιγράφεται στο εγχειρίδιο αυτό. Η χρήση οτιδήποτε άλλων ανταλλακτικών ή προσαρτημάτων μπορεί να παρουσιάσουν κίνδυνο τραυματισμού σε άτομα.

Εάν χρειάζεστε βοήθεια ή περισσότερες λεπτομέρειες σε σχέση με αυτά τα ανταλλακτικά, ρωτήστε το τοπικό σας κέντρο εξυπηρέτησης της Μάκιτα.

- Προστατευτικό (Κίτρινο, Μπλε, Κόκκινο, Διαυγές)
- Αυθεντική μπαταρία και φορτιστής Μάκιτα
- Αυτόματος προσαρμοστής ανανέωσης
- Λαβή ρύθμισης
- Ρύθμιση μοχλού διακόπτη
- Πλήρης ατρακτος 12,7
- Δέκτης RCV02
- Λογισμικό εγκατάστασης δίσκου (CD-ROM) εκτός μοντέλου BFT041R
- Σειριακός προσαρμοστής USB
- Καλώδιο RS-232C

**ENGLISH****Model; BFL201R, BFL301R, BFL402R****EC-DECLARATION OF CONFORMITY**

We declare under our sole responsibility that this product is in compliance with the following standards of standardized documents,

EN60745, EN55014

in accordance with Council Directives, 2004/108/EC and 98/37/EC.

**ITALIANO****Modello; BFL201R, BFL301R, BFL402R****DICHIARAZIONE DI CONFORMITÀ  
CON LE NORME DELLA COMUNITÀ EUROPEA**

Dichiariamo sotto la nostra sola responsabilità che questo prodotto è conforme agli standard di documenti standardizzati seguenti:

EN60745, EN55014

secondo le direttive del Consiglio 2004/108/CE e 98/37/CE.

**FRANÇAISE****Modèle ; BFL201R, BFL301R, BFL402R****DÉCLARATION DE CONFORMITÉ CE**

Nous déclarons sous notre entière responsabilité que ce produit est conforme aux normes des documents standardisés suivants,

EN60745, EN55014

conformément aux Directives du Conseil, 2004/108/EG et 98/37/EG.

**NEDERLANDS****Model; BFL201R, BFL301R, BFL402R****EG-VERKLARING VAN CONFORMITEIT**

Wij verklaren hierbij uitsluitend op eigen verantwoordelijkheid dat dit produkt voldoet aan de volgende normen van genormaliseerde documenten,

EN60745, EN55014

in overeenstemming met de richtlijnen van de Raad 2004/108/EC en 98/37/EC.

**DEUTSCH****Modell; BFL201R, BFL301R, BFL402R****CE-KONFORMITÄTSERKLÄRUNG**

Hiermit erklären wir unter unserer alleinigen Verantwortung, dass dieses Produkt gemäß den Ratsdirektiven 2004/108/EG und 98/37/EG mit den folgenden Normen von Normendokumenten übereinstimmen:

EN60745, EN55014.

**ESPAÑOL****Modelo; BFL201R, BFL301R, BFL402R****DECLARACIÓN DE CONFORMIDAD DE LA CE**

Declaramos bajo nuestra sola responsabilidad que este producto cumple con las siguientes normas de documentos normalizados,

EN60745, EN55014

de acuerdo con las directivas comunitarias, 2004/108/CE y 98/37/CE.

*Tomayasu Kato* **CE 2006**


Director	Amministratore
Directeur	Directeur
Direktor	Director

Responsible manufacturer:

Fabricant responsable:

Verantwortlicher Hersteller:

Produttore responsabile:

Verantwoordelijke fabrikant:

Fabricante responsable:

**Makita Corporation**

3-11-8, Sumiyoshi-cho, Anjo, Aichi, JAPAN

Authorized Representative in Europe:

Représentant agréé en Europe :

Autorisierte Vertretung in Europa:

Rappresentante autorizzato per l'Europa:

Erkende vertegenwoordiger in Europa:

Representante autorizado en Europa:

**MAKITA International Europe Ltd.**

Michigan Drive, Tongwell, Milton Keynes, Bucks MK15 8JD, ENGLAND

**PORTUGUÊS****Modelo; BFL201R, BFL301R, BFL402R****DECLARAÇÃO DE CONFORMIDADE DA CE**

Declaramos sob inteira responsabilidade que este produto obedece às seguintes normas de documentos normalizados,

EN60745, EN55014

de acordo com as directivas 2004/108/CE e 98/37/CE do Conselho.

**ΕΛΛΗΝΙΚΑ****Μοντέλο; BFL201R, BFL301R, BFL402R****ΔΗΛΩΣΗ ΣΥΜΜΟΡΦΩΣΗΣ ΕΚ**

Δηλώνουμε υπό την μοναδική μας ευθύνη ότι αυτό το προϊόν βρίσκεται σε Συμφωνία με τα ακόλουθα πρότυπα τυποποιημένων εγγράφων,

EN60745, EN55014

σύμφωνα με τις Οδηγίες του Συμβουλίου, 2004/108/ΚΕ και 98/37/ΚΕ.

**DANSK****Model; BFL201R, BFL301R, BFL402R****EU-DEKLARATION OM KONFORMITET**

Vi erklærer hermed på eget ansvar, at dette produkt er i overensstemmelse med de følgende standarder i de normsættende dokumenter,

EN60745, EN55014

i overensstemmelse med Rådets Direktiver 2004/108/EC og 98/37/EC.

*Tomoyasu Kato* **CE 2006**

Director  
Direktør

Διευθυντής

Fabricante responsável:  
Ansvarlig fabrikant:

Υπεύθυνος κατασκευαστής:

**Makita Corporation**  
3-11-8, Sumiyoshi-cho, Anjo, Aichi, JAPANRepresentador Autorizado na Europa:  
Autoriseret repræsentant i Europa:

Εξουσιοδοτημένος Αντιπρόσωπος στην Ευρώπη:

**MAKITA International Europe Ltd.**  
Michigan Drive, Tongwell, Milton Keynes, Bucks MK15 8JD, ENGLAND

**ENGLISH****Model; RCV02****EC-DECLARATION OF CONFORMITY**

Hereby, Makita Corporation, declares that this Receiver Model RCV02 is in compliance with the following standards of standardized documents;

EN60950, EN30328, EN301489

in accordance with Council Directives, 1999/5/EC.

**ITALIANO****Modello; RCV02****DICHIARAZIONE DI CONFORMITÀ  
CON LE NORME DELLA COMUNITÀ EUROPEA**

Makita Corporation dichiara che questo ricevitore modello RCV02 è conforme ai seguenti standard dei documenti standardizzati;

EN60950, EN30328, EN301489

conformemente alle Direttive del Consiglio, 1999/5/CE.

**FRANÇAISE****Modèle ; RCV02****DÉCLARATION DE CONFORMITÉ CE**

Par la présente, Makita Corporation déclare que le modèle de récepteur RCV02 est conforme aux normes suivantes de documents normalisés :

EN60950, EN30328, EN301489

conformément aux Directives du conseil 1999/5/CE.

**NEDERLANDS****Model; RCV02****EG-VERKLARING VAN CONFORMITEIT**

Hiermee verklaart Makita Corporation dat dit receivermodel RCV02 voldoet aan de normen van de volgende documenten,

EN60950, EN30328, EN301489

in overeenstemming met de richtlijnen van de Raad, 1999/5/EC.

**DEUTSCH****Modell; RCV02****CE-KONFORMITÄTSERKLÄRUNG**

Hiermit erklärt die Firma Makita, dass dieses Empfängermodell RCV02 die folgenden Normen der standardisierten Dokumente erfüllt:

EN60950, EN30328, EN301489

gemäß den Ratsdirektiven 1999/5/EC.

**ESPAÑOL****Modelo; RCV02****DECLARACIÓN DE CONFORMIDAD DE LA CE**

Por la presente, Makita Corporation, declara que el receptor modelo RCV02 cumple con las siguientes normas de documentos estandarizados;

EN60950, EN30328, EN301489

de acuerdo con las directivas del Consejo, 1999/5/CE.

*Tomayasu Kato* **CE 2006**


Director	Amministratore
Directeur	Directeur
Direktor	Director

Responsible manufacturer:  
Fabricant responsable :  
Verantwortlicher Hersteller:

Produttore responsabile:  
Verantwoordelijke fabrikant:  
Fabricante responsable:

**Makita Corporation**

3-11-8, Sumiyoshi-cho, Anjo, Aichi, JAPAN

Authorized Representative in Europe:  
Représentant agréé en Europe :  
Autorisierte Vertretung in Europa:

Rappresentante autorizzato per l'Europa:  
Erkende vertegenwoordiger in Europa:  
Representante autorizado en Europa:

**MAKITA International Europe Ltd.**

Michigan Drive, Tongwell, Milton Keynes, Bucks MK15 8JD, ENGLAND

**PORTUGUÊS****Modelo; RCV02****DECLARAÇÃO DE CONFORMIDADE DA CE**

Por este meio, a Makita Corporation, declara que o Receptor Modelo RCV02 está de acordo com as seguintes normas de documentos normalizados;

EN60950, EN30328, EN301489

de acordo com as Directivas do Conselho, 1999/5/CE.

**ΕΛΛΗΝΙΚΑ****Μοντέλο; RCV02****ΔΗΛΩΣΗ ΣΥΜΜΟΡΦΩΣΗΣ ΕΚ**

Διά του παρόντος, η Εταιρεία Makita, δηλώνει ότι αυτό το μοντέλο Δέκτη RCV02 βρίσκεται σε συμφωνία με τα ακόλουθα πρότυπα τυποποιημένων εγγράφων,

EN60950, EN30328, EN301489

σύμφωνα με τις Οδηγίες του Συμβουλίου 1999/5/EC.

**DANSK****Model; RCV02****EU-DEKLARATION OM KONFORMITET**

Makita Corporation erklærer hermed, at denne receivermodel RCV02 er i overensstemmelse med de følgende standarder i standard-dokumenterne:

EN60950, EN30328, EN301489

i overensstemmelse med rådsdirektiver, 1999/5/EC.

Tomoyasu Kato CE 2006



Director  
Direktør

Διευθυντής

Fabricante responsável:  
Ansvarlig fabrikant:

**Makita Corporation**

3-11-8, Sumiyoshi-cho, Anjo, Aichi, JAPAN

Υπεύθυνος κατασκευαστής:

Representador Autorizado na Europa:  
Autoriseret repræsentant i Europa:

**MAKITA International Europe Ltd.**

Michigan Drive, Tongwell, Milton Keynes, Bucks MK15 8JD, ENGLAND

Εξουσιοδοτημένος Αντιπρόσωπος στην Ευρώπη:



**ENGLISH****For European countries only**

**Noise and Vibration of Model BFL201R, BFL402R**  
 The typical A-weighted sound pressure level is 72 dB (A).  
 Uncertainty is 3 dB (A).  
 The noise level under working may exceed 85 dB (A).  
 – Wear ear protection. –  
 The typical weighted root mean square acceleration value is not more than 2.5 m/s<sup>2</sup>.  
 These values have been obtained according to EN60745.

**FRANÇAISE****Pour les pays d'Europe uniquement**

**Bruit et vibrations du modèle BFL201R, BFL402R**  
 Le niveau de pression sonore pondérée type A est de 72 dB (A).  
 L'incertitude de mesure est de 3 dB (A).  
 Le niveau de bruit en fonctionnement peut dépasser 85 dB (A).  
 – Porter des protecteurs anti-bruit. –  
 L'accélération pondérée ne dépasse pas 2,5 m/s<sup>2</sup>.  
 Ces valeurs ont été obtenues selon EN60745.

**DEUTSCH****Nur für europäische Länder**

**Geräusch- und Vibrationsentwicklung des Modells BFL201R, BFL402R**  
 Der typische A-bewertete Schalldruckpegel beträgt 72 dB (A).  
 Die Abweichung beträgt 3 dB (A).  
 Der Lärmpegel kann während des Betriebs 85 dB (A) überschreiten.  
 – Gehörschutz tragen. –  
 Der gewichtete Effektivwert der Beschleunigung beträgt nicht mehr als 2,5 m/s<sup>2</sup>.  
 Diese Werte wurden gemäß EN60745 erhalten.

**ITALIANO****Modello per l'Europa soltanto**

**Rumore e vibrazione del modello BFL201R, BFL402R**  
 Il livello di pressione sonora pesata secondo la curva A è di 72 dB (A).  
 L'incertezza è di 3 dB (A).  
 Il livello di rumore durante il lavoro potrebbe superare gli 85 dB (A).  
 – Indossare i paraorecchi. –  
 Il valore quadratico medio di accelerazione non supera i 2,5 m/s<sup>2</sup>.  
 Questi valori sono stati ottenuti in conformità EN60745.

**NEDERLANDS****Alleen voor Europese landen**

**Geluidsniveau en trilling van het model BFL201R, BFL402R**  
 Het typische A-gewogen geluidsdruk niveau is 72 dB (A).  
 Onzekerheid is 3 dB (A).  
 Tijdens het werken kan het geluidsniveau 85 dB (A) overschrijden.  
 – Draag oorbeschermers. –  
 De typische gewogen effectieve versnellingswaarde is niet meer dan 2,5 m/s<sup>2</sup>.  
 Deze waarden werden verkregen in overeenstemming met EN60745.

**ESPAÑOL****Para países europeos solamente**

**Ruido y vibración del modelo BFL201R, BFL402R**  
 El nivel de presión sonora ponderada A es de 72 dB (A).  
 Incerteza 3 dB (A).  
 El nivel de ruido en condiciones de trabajo puede que sobrepase los 85 dB (A).  
 – Póngase protectores en los oídos. –  
 El valor ponderado de la aceleración no sobrepasa los 2,5 m/s<sup>2</sup>.  
 Estos valores han sido obtenidos de acuerdo con EN60745.

**PORTUGUÊS****Só para países Europeus****Ruído e vibração do modelo BFL201R, BFL402R**

O nível normal de pressão sonora A é 72 dB (A).

A incerteza é de 3 dB (A).

O nível de ruído durante o trabalho pode exceder 85 dB (A).

– Utilize protectores para os ouvidos –

O valor médio da aceleração é inferior a 2,5 m/s<sup>2</sup>.

Estes valores foram obtidos de acordo com EN60745.

**DANSK****Kun for lande i Europa****Lyd og vibration fra model BFL201R, BFL402R**

Det typiske A-vægtede lydtryksniveau er 72 dB (A).

Der er en usikkerhed på 3 dB (A).

Støjniveauet under arbejde kan overstige 85 dB (A).

– Bær høreværn. –

Den vægtede effektive accelerationsværdi overstiger ikke 2,5 m/s<sup>2</sup>.

Disse værdier er beregnet i overensstemmelse med EN60745.

**ΕΛΛΗΝΙΚΑ****Μόνο για χώρες της Ευρώπης****Θόρυβος και κραδασμός  
του μοντέλου BFL201R, BFL402R**

Η τυπική A-μετρούμενη ηχητική πίεση είναι 72 dB (A).

Η Αβεβαιότητα είναι 3 dB (A).

Η ένταση ήχου υπο συνθήκες εργασίας μπορεί να υπερβεί τα 85 dB (A).

– Φοράτε ωτοασπίδες. –

Η τυπική αξία της μετρούμενης ρίζας του μέσου τετραγώνου της επιτάχυνσης δεν ξεπερνά τα

2,5 m/s<sup>2</sup>.

Αυτές οι τιμές έχουν σημειωθεί σύμφωνα με το EN60745.

**ENGLISH****For European countries only****Noise and Vibration of Model BFL301R**

The typical A-weighted sound pressure level is 74 dB (A).  
Uncertainty is 3 dB (A).

The noise level under working may exceed 85 dB (A).

– Wear ear protection. –

The typical weighted root mean square acceleration value is not more than 2.5 m/s<sup>2</sup>.

These values have been obtained according to EN60745.

**FRANÇAISE****Pour les pays d'Europe uniquement****Bruit et vibrations du modèle BFL301R**

Le niveau de pression sonore pondéré type A est de 74 dB (A).

L'incertitude de mesure est de 3 dB (A).

Le niveau de bruit en fonctionnement peut dépasser 85 dB (A).

– Porter des protecteurs anti-bruit. –

L'accélération pondérée ne dépasse pas 2,5 m/s<sup>2</sup>.

Ces valeurs ont été obtenues selon EN60745.

**DEUTSCH****Nur für europäische Länder****Geräusch- und Vibrationsentwicklung  
des Modells BFL301R**

Der typische A-bewertete Schalldruckpegel beträgt 74 dB (A).

Die Abweichung beträgt 3 dB (A).

Der Lärmpegel kann während des Betriebs 85 dB (A) überschreiten.

– Gehörschutz tragen. –

Der gewichtete Effektivwert der Beschleunigung beträgt nicht mehr als 2,5 m/s<sup>2</sup>.

Diese Werte wurden gemäß EN60745 erhalten.

**ITALIANO****Modello per l'Europa soltanto****Rumore e vibrazione del modello BFL301R**

Il livello di pressione sonora pesata secondo la curva A è di 74 dB (A).

L'incertezza è di 3 dB (A).

Il livello di rumore durante il lavoro potrebbe superare gli 85 dB (A).

– Indossare i paraorecchi. –

Il valore quadratico medio di accelerazione non supera i 2,5 m/s<sup>2</sup>.

Questi valori sono stati ottenuti in conformità EN60745.

**NEDERLANDS****Alleen voor Europese landen****Geluidsniveau en trilling van het model BFL301R**

Het typische A-gewogen geluidsdruk niveau is 74 dB (A).

Onzekerheid is 3 dB (A).

Tijdens het werken kan het geluidsniveau 85 dB (A) overschrijden.

– Draag oorbeschermers. –

De typische gewogen effectieve versnellingswaarde is niet meer dan 2,5 m/s<sup>2</sup>.

Deze waarden werden verkregen in overeenstemming met EN60745.

**ESPAÑOL****Para países europeos solamente****Ruido y vibración del modelo BFL301R**

El nivel de presión sonora ponderada A es de 74 dB (A).

Incerteza 3 dB (A).

El nivel de ruido en condiciones de trabajo puede que sobrepase los 85 dB (A).

– Póngase protectores en los oídos. –

El valor ponderado de la aceleración no sobrepasa los 2,5 m/s<sup>2</sup>.

Estos valores han sido obtenidos de acuerdo con EN60745.

**PORTUGUÊS****Só para países Europeus****Ruído e vibração do modelo BFL301R**

O nível normal de pressão sonora A é 74 dB (A).

A incerteza é de 3 dB (A).

O nível de ruído durante o trabalho pode exceder 85 dB (A).

– Utilize protectores para os ouvidos –

O valor médio da aceleração é inferior a 2,5 m/s<sup>2</sup>.

Estes valores foram obtidos de acordo com EN60745.

**DANSK****Kun for lande i Europa****Lyd og vibration fra model BFL301R**

Det typiske A-vægtede lydtryksniveau er 74 dB (A).

Der er en usikkerhed på 3 dB (A).

Støjniveauet under arbejde kan overstige 85 dB (A).

– Bær høreværn. –

Den vægtede effektive accelerationsværdi overstiger ikke 2,5 m/s<sup>2</sup>.

Disse værdier er beregnet i overensstemmelse med EN60745.

**ΕΛΛΗΝΙΚΑ****Μόνο για χώρες της Ευρώπης****Θόρυβος και κραδασμός του μοντέλου BFL301R**

Η τυπική A-μετρούμενη ηχητική πίεση είναι 74 dB (A).

Η Αβεβαιότητα είναι 3 dB (A).

Η ένταση ήχου υπο συνθήκες εργασίας μπορεί να υπερβεί τα 85 dB (A).

– Φοράτε ωτοασπίδες. –

Η τυπική αξία της μετρούμενης ρίζας του μέσου τετραγώνου της επιτάχυνσης δεν ξεπερνά τα 2,5 m/s<sup>2</sup>.

Αυτές οι τιμές έχουν σημειωθεί σύμφωνα με το EN60745.

# Makita Corporation

Anjo, Aichi, Japan

884707A991