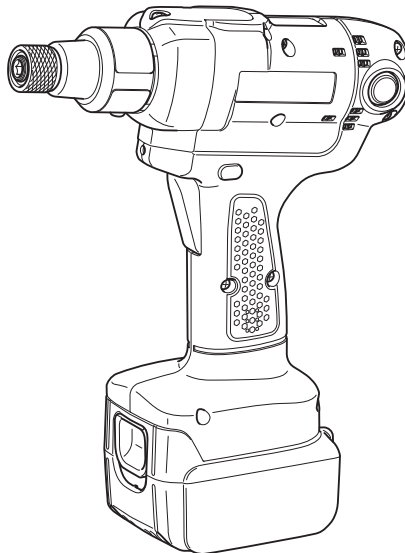
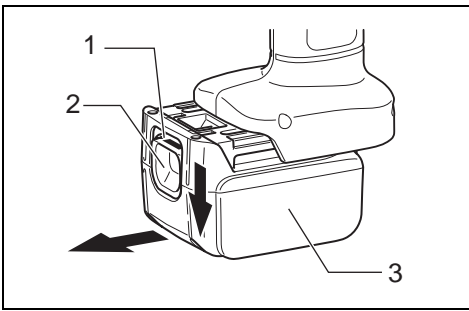




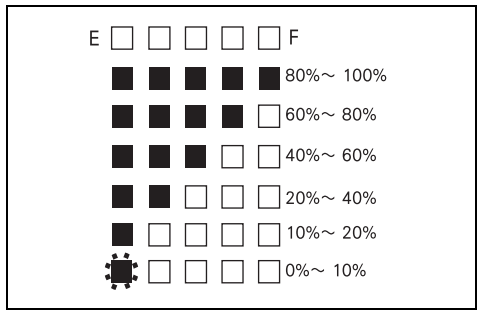
GB	Cordless Screwdriver	Instruction Manual
F	Visseuse sans Fil	Manuel d'instructions
D	Akku-Schrauber	Betriebsanleitung
I	Avvitatore a batteria	Istruzioni per l'uso
NL	Snoerloze schroevendraaier	Gebruiksaanwijzing
E	Atornillador Inalámbrico	Manual de instrucciones
P	Parafusadeira a Bateria	Manual de instruções
DK	Akku skruemaskine	Brugsanvisning
GR	Ασύρματο κατσαβίδι	Οδηγίες χρήσεως
TR	Akülü Tornavida	Kullanma kılavuzu

BFT022F
BFT044F
BFT084F
BFT126F

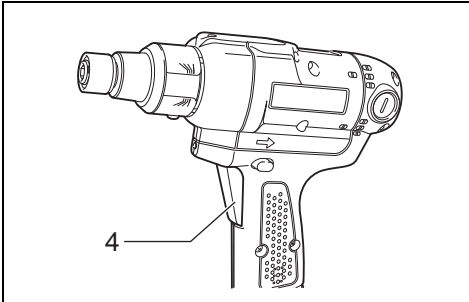




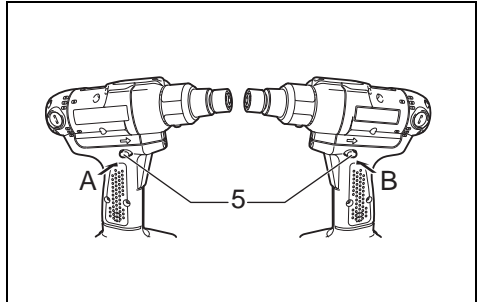
1 013044



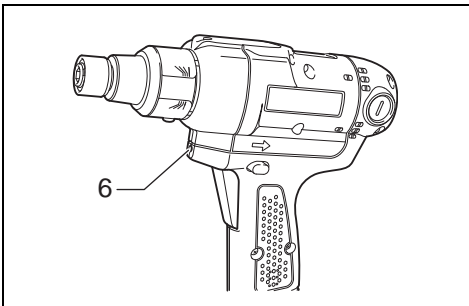
2 008971



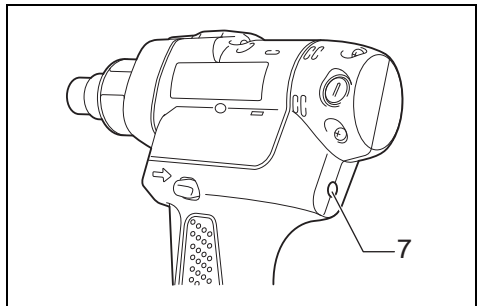
3 004245



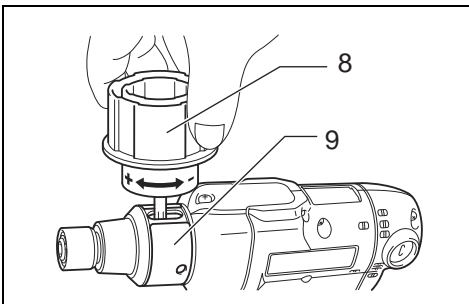
4 013071



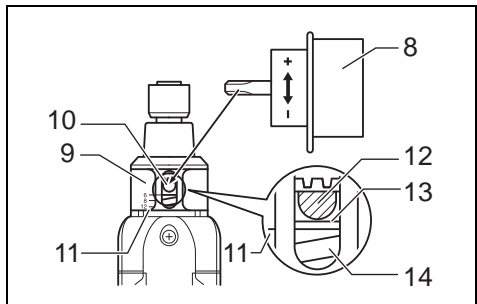
5 004247



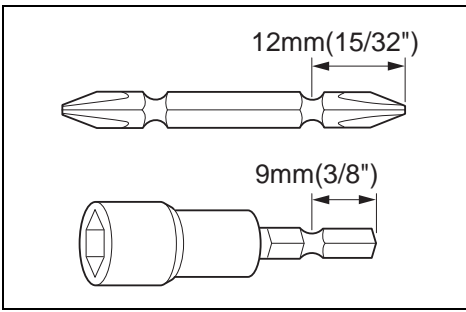
6 013072



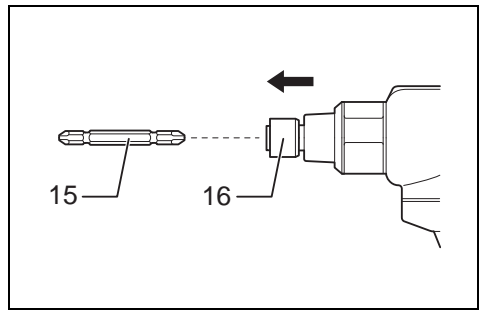
7 013092



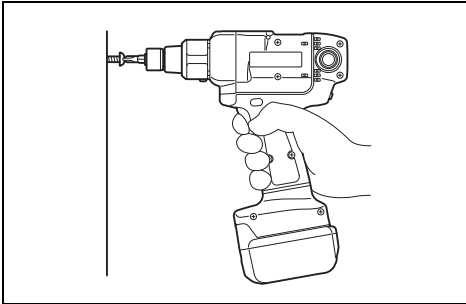
8 013091



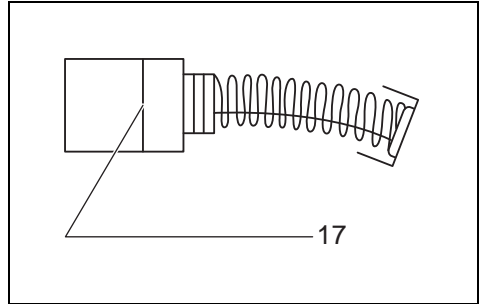
9 001761



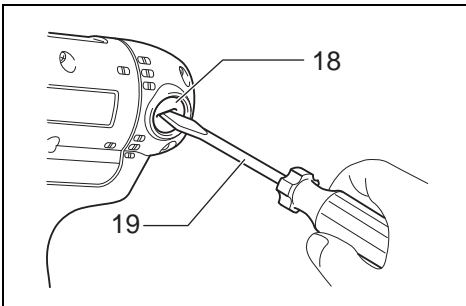
10 004047



11 013045



12 001145



13 004250

Explanation of general view

1 Red indicator	8 Adjusting grip	15 Bit
2 Button	9 Ring	16 Sleeve
3 Battery cartridge	10 Adjusting ring	17 Limit mark
4 Switch trigger	11 Scale	18 Brush holder cap
5 Reversing switch lever	12 Hole for adjusting grip	19 Screwdriver
6 Front lamp	13 Yellow line	
7 LED indicator	14 Compression spring	

SPECIFICATIONS

Model		BFT022F	BFT044F	BFT084F	BFT126F
Fastening torque	Hard joint	0.5 – 2 N·m	1 – 4 N·m	3 – 8 N·m	5 – 12 N·m
	Soft joint	0.5 – 2 N·m	1 – 4 N·m	3 – 8 N·m	5 – 12 N·m
No load speed (min ⁻¹)		700	950	780	410
Dimensions		200 x 74 x 250 mm (with Battery Cartridge BL1430)			
		200 x 74 x 235 mm (with Battery Cartridge BL1415)			
Net weight		1.5 kg (with Battery Cartridge BL1430)			
		1.4 kg (with Battery Cartridge BL1415)			
Rated voltage		D.C.14.4 V			
Battery cartridge		BL1430 / BL1430A / BL1415			

- Due to our continuing program of research and development, the specifications herein are subject to change without notice.
- Specifications and battery cartridge may differ from country to country.
- Weight, with battery cartridge, according to EPTA-Procedure 01/2003

ENE033-1

Intended use

The tool is intended for screw driving in wood, metal and plastic.

GEA010-1

General Power Tool Safety Warnings

⚠ WARNING Read all safety warnings and all instructions. Failure to follow the warnings and instructions may result in electric shock, fire and/or serious injury.

Save all warnings and instructions for future reference.

GEB050-2

CORDLESS SCREWDRIVER SAFETY WARNINGS

1. **Hold power tool by insulated gripping surfaces, when performing an operation where the fastener may contact hidden wiring.** Fasteners contacting a "live" wire may make exposed metal parts of the power tool "live" and could give the operator an electric shock.
2. **Always be sure you have a firm footing. Be sure no one is below when using the tool in high locations.**

3. **Hold the tool firmly.**
4. **Keep hands away from rotating parts.**
5. **Do not touch the bit or the workpiece immediately after operation; they may be extremely hot and could burn your skin.**

SAVE THESE INSTRUCTIONS.

⚠ WARNING:

DO NOT let comfort or familiarity with product (gained from repeated use) replace strict adherence to safety rules for the subject product. **MISUSE or failure to follow the safety rules stated in this instruction manual may cause serious personal injury.**

ENC007-7

IMPORTANT SAFETY INSTRUCTIONS

FOR BATTERY CARTRIDGE

1. **Before using battery cartridge, read all instructions and cautionary markings on (1) battery charger, (2) battery, and (3) product using battery.**
2. **Do not disassemble battery cartridge.**
3. **If operating time has become excessively shorter, stop operating immediately. It may result in a risk of overheating, possible burns and even an explosion.**
4. **If electrolyte gets into your eyes, rinse them out with clear water and seek medical attention right away. It may result in loss of your eyesight.**

5. **Do not short the battery cartridge:**
 - (1) **Do not touch the terminals with any conductive material.**
 - (2) **Avoid storing battery cartridge in a container with other metal objects such as nails, coins, etc.**
 - (3) **Do not expose battery cartridge to water or rain.**
A battery short can cause a large current flow, overheating, possible burns and even a breakdown.
6. **Do not store the tool and battery cartridge in locations where the temperature may reach or exceed 50°C (122°F).**
7. **Do not incinerate the battery cartridge even if it is severely damaged or is completely worn out.**
The battery cartridge can explode in a fire.
8. **Be careful not to drop or strike battery.**
9. **Do not use a damaged battery.**

SAVE THESE INSTRUCTIONS.

Tips for maintaining maximum battery life

1. **Charge the battery cartridge before completely discharged.**
Always stop tool operation and charge the battery cartridge when you notice less tool power.
2. **Never recharge a fully charged battery cartridge.**
Overcharging shortens the battery service life.
3. **Charge the battery cartridge with room temperature at 10°C – 40°C (50°F – 104°F). Let a hot battery cartridge cool down before charging it.**
4. **Charge the battery cartridge once in every six months if you do not use it for a long period of time.**

FUNCTIONAL DESCRIPTION

⚠ CAUTION:

- Always be sure that the tool is switched off and the battery cartridge is removed before adjusting or checking function on the tool.

Installing or removing battery cartridge (Fig. 1)

⚠ CAUTION:

- Always switch off the tool before installing or removing of the battery cartridge.
- **Hold the tool and the battery cartridge firmly when installing or removing battery cartridge.** Failure to hold the tool and the battery cartridge firmly may cause them to slip off your hands and result in damage to the tool and battery cartridge and a personal injury.

To remove the battery cartridge, slide it from the tool while sliding the button on the front of the cartridge.

To install the battery cartridge, align the tongue on the battery cartridge with the groove in the housing and slip it into place. Insert it all the way until it locks in place with a little click. If you can see the red indicator on the upper side of the button, it is not locked completely.

⚠ CAUTION:

- Always install the battery cartridge fully until the red indicator cannot be seen. If not, it may accidentally fall out of the tool, causing injury to you or someone around you.
- Do not install the battery cartridge forcibly. If the cartridge does not slide in easily, it is not being inserted correctly.

Battery remaining capacity indicator (only for models with Battery BL1430A)

Battery BL1430A is equipped with the battery remaining capacity indicator.

Checking the remaining battery capacity (Fig. 2)

When charging

When the charging begins, the first (far left) indicating lamp begins to flicker. Then, as charging proceeds, the other lamps light, one after the other, to indicate the battery capacity.

When using

When the tool is switched on, the lamps will light to indicate the remaining battery capacity. When the tool is switched off, the light goes out after approx. 5 seconds. When the orange lamp lights up or flickers, the tool stops because of little remaining battery capacity. (Auto-stop mechanism: The tool works only for a second but stops immediately.) Charge the battery cartridge at this time or use a charged battery cartridge at this time. When the tool is used with the battery that has not been used for a long time and is switched on, no lamps may light up at all. The tool stops because of little remaining battery capacity at this time. (The tool may work only for a second but stops immediately.) Use Makita refreshing adapter to refresh the battery.

Switch action (Fig. 3)

⚠ CAUTION:

- Before installing the battery cartridge into the tool, always check to see that the switch trigger actuates properly and returns to the "OFF" position when released.

To start the tool, simply pull the switch trigger. Release the switch trigger to stop.

Reversing switch action (Fig. 4)

⚠ CAUTION:

- Always check the direction of rotation before operation.
- Use the reversing switch only after the tool comes to a complete stop. Changing the direction of rotation before the tool stops may damage the tool.
- When not operating the tool, always set the reversing switch lever to the neutral position.

This tool has a reversing switch to change the direction of rotation. Depress the reversing switch lever from the A side for clockwise rotation or from the B side for counter-clockwise rotation.

When the reversing switch lever is in the neutral position, the switch trigger cannot be pulled.

Lighting up the lamps (Fig. 5)

⚠ CAUTION:

- Do not look in the light or see the source of light directly.

Pull the switch trigger to light up the lamp. The lamp keeps on lighting while the switch trigger is being pulled. The light automatically goes out 10 seconds after the switch trigger is released.

NOTE:

- Use a dry cloth to wipe the dirt off the lens of lamp. Be careful not to scratch the lens of lamp, or it may lower the illumination.

LED indicator (Fig. 6)

The LED indicator on the tool shows the following functions.

Function	Status	Status of the LED indicator/beeper		Action to be taken
		LED indicator	Beeper	
Auto-stop fastening	This function works when the tool has reached the preset fastening torque and normal tightening has been completed. This helps overtightening to be avoided.	Lights up in green for approximately one second.	—	—
Delayed re-start	For approximately one second after auto-stop fastening, the tool does not start even if the switch trigger is pulled.			
Warning against insufficient fastening	Insufficient fastening has been performed when the switch trigger has released before reaching the preset fastening torque.	Lights up in red.	A long beep	Retighten the screw.
Warning for battery cartridge capacity	This indicates the appropriate time to replace the battery cartridge when the battery power becomes low.	Flickers in red slowly.	A series of long beeps	Replace the battery with fully charged one.
Checking the remaining battery capacity, Autostop	This function works when the battery power is almost used up. At this time, tool stops immediately.	Lights up in red.	A long beep	Replace the battery with fully charged one.
Check the LED indicator, lamp and beeper operation	This function works to check the proper operation of the LED indicator, lamp and beeper when a battery cartridge has been inserted into the tool.	Lights up first in green, next red. (And then the lamp comes on.)	A series of very short beeps	—
Anti-reset of controller	This function works when an abnormal drop of the battery voltage occurs for some reason, and the tool stops.	Flickers in red and green alternately.	A series of short beeps	Replace the battery with fully charged one.
Overheat	This function works when the temperature of the controller goes up very highly, and the tool stops.	Flickers in red quickly.	A series of short beeps	Remove the battery cartridge immediately and cool the tool down.
Operation error of the switch trigger	This function works to avoid the tool's immediate start upon insertion of battery cartridge into the tool with the switch trigger being pulled.	Flickers in red and green alternately.	A series of short beeps	Release the switch trigger.
Warning for limit of the fastening capacity	The tool automatically stops without the clutch working when exceeding the fastening capacity limit.	Flickers in red and green alternately.	A series of short beeps	Remove the battery cartridge and then install it again. Be sure to use the tool under load within its capacity.

013073

Adjusting the fastening torque (Fig. 7 & 8)

When you wish to drive machine screws, wood screws, hex bolts, etc. with the predetermined torque, adjusting the fastening torque as follows.

1. First remove the battery cartridge from the tool.
2. Loosen and remove the screw that secures ring.
3. Rotate the ring in the front of the tool by hand so that a hole can be seen below the ring.

4. Place the battery cartridge in place and pull the switch trigger. Release it so that the adjusting ring rotates and becomes visible in the hole. And then remove the battery cartridge.

- Use an optional adjusting grip to adjust the fastening torque. Insert the pin of the adjusting grip into the hole in the front of the tool. And then, turn the adjusting grip clockwise to set a greater fastening torque, and counterclockwise to set a smaller fastening torque.
- Align the yellow line with your desired number on the fastening torque scale.
- Insert the battery cartridge and be sure that a fastening torque has been set up by using a fastening torque tester.
- Rotate the ring in front of the tool and then tighten the screw to secure the ring.

NOTE:

- Numbers on the fastening torque scale is a guideline to set up your desired fastening torque.

ASSEMBLY

⚠ CAUTION:

- Always be sure that the tool is switched off and the battery cartridge is removed before carrying out any work on the tool.

Installing or removing driver bit or socket bit (Fig. 9 & 10)

Use only the driver bit or socket bit shown in the figure. Do not use any other driver bit or socket bit.

To install the bit, pull the sleeve in the direction of the arrow and insert the bit into the sleeve as far as it will go. Then release the sleeve to secure the bit.

To remove the bit, pull the sleeve in the direction of the arrow and pull the bit out firmly.

NOTE:

- If the bit is not inserted deep enough into the sleeve, the sleeve will not return to its original position and the bit will not be secured. In this case, try re-inserting the bit according to the instructions above.

OPERATION

Screwdriving operation (Fig. 11)

Place the point of the driver bit in the screw head and apply pressure to the tool. Then switch the tool on. When the clutch cuts in, the motor will stop automatically. Then release the switch trigger.

NOTE:

- Make sure that the driver bit is inserted straight in the screw head, or the screw and/or bit may be damaged.

Limits of fastening capacity

Use the tool within the range of the revolution angle up to 360°. If you use the tool beyond the upper limit of this range, the clutch does not work. And the tool cannot deliver enough fastening torque (LED indicator flickers in red and green alternatively).

NOTE:

- The revolution angle means the angle which a screw/bolt revolves when the tool attains to 100% from 50% of desired torque.
- Use of a low temperature conditioned battery cartridge may sometimes give warning for battery cartridge capacity by warning lamp and beeper which makes the tool stop immediately. In this case, the fastening capacity may be inferior to the specification on this manual even if a charged battery cartridge is used.

MAINTENANCE

⚠ CAUTION:

- Always be sure that the tool is switched off and the battery cartridge is removed before attempting to perform inspection or maintenance.
- Never use gasoline, benzene, thinner, alcohol or the like. Discoloration, deformation or cracks may result.

Replacing carbon brushes (Fig. 12 & 13)

Remove and check the carbon brushes regularly. Replace when they wear down to the limit mark. Keep the carbon brushes clean and free to slip in the holders. Both carbon brushes should be replaced at the same time. Use only identical carbon brushes. Use a screwdriver to remove the brush holder caps. Take out the worn carbon brushes, insert the new ones and secure the brush holder caps.

To maintain product SAFETY and RELIABILITY, repairs, any other maintenance or adjustment should be performed by Makita Authorized Service Centers, always using Makita replacement parts.

OPTIONAL ACCESSORIES

⚠ CAUTION:

- These accessories or attachments are recommended for use with your Makita tool specified in this manual. The use of any other accessories or attachments might present a risk of injury to persons. Only use accessory or attachment for its stated purpose.

If you need any assistance for more details regarding these accessories, ask your local Makita Service Center.

- Makita genuine battery and charger
- Adjust grip
- Protector
- Grip Base Set
- Grip 37
- Anti kickback head

NOTE:

- Some items in the list may be included in the tool package as standard accessories. They may differ from country to country.

ENG905-1

Noise

The typical A-weighted noise level determined according to EN60745:

Sound pressure level (L_{pA}): 70 dB (A) or less

Uncertainty (K): 3 dB (A)

The noise level under working may exceed 80 dB (A)

Wear ear protection

ENG900-1

Vibration

The vibration total value (tri-axial vector sum) determined according to EN60745:

Work mode: screwdriving without impact

Vibration emission (a_{hv}): 2.5 m/s² or less

Uncertainty (K): 1.5 m/s²

- The declared vibration emission value has been measured in accordance with the standard test method and may be used for comparing one tool with another.
- The declared vibration emission value may also be used in a preliminary assessment of exposure.

⚠ WARNING:

- The vibration emission during actual use of the power tool can differ from the declared emission value depending on the ways in which the tool is used.
- Be sure to identify safety measures to protect the operator that are based on an estimation of exposure in the actual conditions of use (taking account of all parts of the operating cycle such as the times when the tool is switched off and when it is running idle in addition to the trigger time).

ENH101-16

For European countries only

EC Declaration of Conformity

We Makita Corporation as the responsible manufacturer declare that the following Makita machine(s):

Designation of Machine:

Cordless Screwdriver

Model No./ Type: BFT022F, BFT044F, BFT084F, BFT126F

are of series production and

Conforms to the following European Directives:

2006/42/EC

And are manufactured in accordance with the following standards or standardised documents:

EN60745

The technical documentation is kept by:

Makita International Europe Ltd.

Technical Department,

Michigan Drive, Tongwell,

Milton Keynes, Bucks MK15 8JD, England

26.12.2011



Tomoyasu Kato

Director

Makita Corporation

3-11-8, Sumiyoshi-cho,

Anjo, Aichi, 446-8502, JAPAN

Verklaring van algemene gegevens

1 Rode indicator	8 Instelgreep	14 Drukveer
2 Knop	9 Ring	15 Schroefbit
3 Accu	10 Koppelinstelling	16 Klembus
4 Trekkerschakelaar	11 Schaal	17 Limietmarkering
5 Omkeerschakelaar	12 Bevestigingsgat voor instelgreep	18 Borstelhouderdop
6 Voorste lamp	13 Gele streep	19 Schroevendraaier
7 LED-indicator		

TECHNISCHE GEGEVENS

Model		BFT022F	BFT044F	BFT084F	BFT126F
Aandraaikoppel	Harde verbinding	0,5 – 2 N·m	1 – 4 N·m	3 – 8 N·m	5 – 12 N·m
	Zachte verbinding	0,5 – 2 N·m	1 – 4 N·m	3 – 8 N·m	5 – 12 N·m
Toerental onbelast (min ⁻¹)		700	950	780	410
Afmetingen		200 x 74 x 250 mm (met accu BL1430)			
		200 x 74 x 235 mm (met accu BL1415)			
Nettogewicht		1,5 kg (met accu BL1430)			
		1,4 kg (met accu BL1415)			
Nominale spanning		D.C. 14,4 V			
Accu		BL1430 / BL1430A / BL1415			

GEB050-2

- Vanwege ons voortgaand onderzoeks- en ontwikkelingsprogramma kunnen de bijgaande technische gegevens zonder voorafgaande kennisgeving worden gewijzigd.
- De technische gegevens en de accu kunnen van land tot land verschillen.
- Gewicht, inclusief accu, volgens de EPTA-procedure 01/2003

ENE033-1

Doeleinden van gebruik

Dit gereedschap is bedoeld voor het indraaien van schroeven in hout, metaal en plastic.

GEA010-1

Algemene veiligheidswaarschuwingen voor elektrisch gereedschap

⚠ WAARSCHUWING! Lees alle veiligheidswaarschuwingen en alle instructies. Het niet volgen van de waarschuwingen en instructies kan leiden tot elektrische schokken, brand en/of ernstig letsel.

Bewaar alle waarschuwingen en instructies om in de toekomst te kunnen raadplegen.

VEILIGHEIDSVORSCHRIFTEN VOOR DE SNOERLOZE SCHROEVENDRAAIER

1. **Houd elektrisch gereedschap alleen vast aan de geïsoleerde handgrepen, wanneer u werkt op plaatsen waar het bevestigingsmateriaal met verborgen bedrading in aanraking kan komen.** Als een draad die onder stroom staat wordt beschadigd, kunnen de metalen delen van het gereedschap ook onder stroom komen te staan en kunt u een gevaarlijke elektrische schok krijgen.
2. **Zorg ook altijd dat u stevig op een solide bodem staat.** Let bij het werken op hoge plaatsen op dat er zich niemand recht onder u bevindt.
3. **Houd het gereedschap stevig vast.**
4. **Houd uw handen uit de buurt van draaiende onderdelen.**
5. **Raak direct na uw werk het bit of het werkstuk niet aan; ze kunnen erg heet zijn en u zou zich kunnen branden.**

Bewaar deze voorschriften.

⚠ WAARSCHUWING:

LAAT NIET uw vertrouwdeheid met het gereedschap (na regelmatig gebruik) omslaan in slordigheid of onachtzaamheid omtrent de strikt na te leven veiligheidsvoorschriften voor dit product. VERKEERD GEBRUIK of het niet naleven van de veiligheidsvoorschriften in deze gebruiksaanwijzing kan leiden tot ernstige verwondingen.

BELANGRIJKE VEILIGHEIDSVORSCHRIFTEN

VOOR DE ACCU

1. Lees alle voorschriften en waarschuwingen op (1) de acculader, (2) de accu, en (3) het product waarvoor de accu wordt gebruikt, aandachtig door alvorens de acculader in gebruik te nemen.
2. Neem de accu niet uit elkaar.
3. Als de gebruiksduur van het gereedschap erg kort is geworden, staakt u dan onmiddellijk het gebruik. Er bestaat kans op oververhitting, met gevaar voor brand of zelfs een explosie.
4. Als er accuvloeistof in uw ogen komt, wast u die dan onmiddellijk uit met volop water en raadpleeg dan onverwijld een arts. Uw gezichtsvermogen zou ernstig aangetast kunnen worden.
5. Voorkom kortsluiting van de accu:
 - (1) Raak de accucontacten nooit aan met enig geleidend materiaal.
 - (2) Bewaar de accu niet in een bak waarin andere metalen voorwerpen zoals spijkers, munten e.d. worden bewaard
 - (3) Stel de accu niet bloot aan water of regen.
 Kortsluiting van de accu kan oorzaak zijn van een grote stroomafgifte, oververhitting, brandwonden, en zelfs defecten.
6. Bewaar het gereedschap en de accu niet op plaatsen waar de temperatuur kan oplopen tot 50°C of hoger.
7. Werp de accu nooit in het vuur, ook niet wanneer hij zwaar beschadigd of volledig versleten is. De accu kan namelijk ontploffen in het vuur.
8. Wees voorzichtig dat u de accu niet laat vallen en hem niet blootstelt aan schokken of stoten.
9. Gebruik nooit een beschadigde accu.

BEWAAR DEZE VOORSCHRIFTEN.

Tips voor een maximale levensduur van de accu

1. Laad de accu op voordat die volledig ontladen is.
Staak altijd het gebruik van het apparaat en laad de accu op wanneer u bemerkt dat het apparaat minder vermogen levert.
2. Laad een volledig opgeladen accu nooit opnieuw op.
Overmatig opladen kan de levensduur van de accu aantasten.
3. Laad de accu op bij een kamertemperatuur van 10°C – 40°C. Laat een warme accu afkoelen alvorens hem op te laden.
4. Laad de accu zeker elk half jaar een keer op, ook als u deze geruime tijd lang niet gebruikt.

BESCHRIJVING VAN DE FUNCTIES

⚠ LET OP:

- Zorg altijd dat het gereedschap is uitgeschakeld en de accu ervan is verwijderd alvorens de functies op het gereedschap af te stellen of te controleren.

Aanbrengen en verwijderen van de accu (Fig. 1)

⚠ LET OP:

- Schakel altijd het gereedschap uit voordat u de accu aanbrengt of verwijdert.
- **Houd het gereedschap en de accu stevig vast wanneer u de accu aanbrengt of verwijdert.** Als u het gereedschap en de accu niet stevig vasthoudt, zou er iets uit uw handen kunnen glijpen, met gevaar voor schade aan het gereedschap of de accu en eventuele verwonding.

Om de accu te verwijderen, schuift u deze uit het gereedschap los terwijl u de knop voorop de accu ingedrukt houdt.

Voor het aanbrengen van de accu plaatst u de tong van de accu in de groef van de behuizing en schuift u de accu op zijn plaats. Schuif de accu er altijd volledig in totdat die op zijn plaats vast klikt. Wanneer de rode indicator op de bovenkant van de knop nog zichtbaar is, zit de accu niet volledig erin.

⚠ LET OP:

- Schuif de accu volledig erin totdat de rode indicator niet meer zichtbaar is. Als u dit nalaat, zou de accu uit het gereedschap kunnen vallen en uzelf of anderen kunnen verwonden.
- Druk de accu er niet met kracht in. Als de accu er niet soepel in gaat, houdt u die waarschijnlijk in de verkeerde stand.

Aanduiding van de resterende accucapaciteit (alleen voor modellen met accu type BL1430A)

De BL1430A accu is voorzien van een aanduiding van de resterende accucapaciteit.

Controleren van de resterende accucapaciteit (Fig. 2)

Tijdens opladen

Wanneer het opladen begint, gaat het eerste (meest linkse) aanduidingslampje knipperen. Naarmate het opladen vordert, gaan vervolgens één voor één de volgende lampjes branden, om de toenemende accucapaciteit aan te geven.

Tijdens gebruik

Wanneer u het gereedschap inschakelt, gaan de lampjes branden om de resterende accucapaciteit aan te geven. Wanneer u het gereedschap uitschakelt, dooft de verlichting na ongeveer 5 seconden. Wanneer er een oranje lampje knippert of gaat branden, zal het gereedschap stoppen, vanwege een te geringe accucapaciteit. (Automatische afslag. Het gereedschap werkt een seconde lang, maar slaat dan direct af.) Dan is het tijd de accu op te laden of die te vervangen door een reeds opgeladen accu.

Als u het gereedschap gebruikt met een accu die lang niet gebruikt is, kunnen er soms bij inschakelen geen lampjes gaan branden. Dan stopt het gereedschap vanwege te weinig resterende accucapaciteit. (Het gereedschap werkt wellicht een seconde lang, maar slaat dan direct af.) Gebruik dan een Makita bijlaadadapter om de accu te verversen.

Werking van de schakelaar (Fig. 3)

LET OP:

- Controleer voordat u de accu in het gereedschap plaatst altijd eerst of de trekkerschakelaar goed werkt en bij loslaten direct naar de "OFF" stand terugkeert.

Om het gereedschap te starten, drukt u enkel de trekkerschakelaar in. Laat de trekkerschakelaar los om te stoppen.

Werking van de omkeerschakelaar (Fig. 4)

LET OP:

- Controleer voordat u gaat werken altijd eerst de draairichting van het gereedschap.
- Gebruik de omkeerschakelaar alleen nadat het gereedschap helemaal tot stilstand is gekomen. Als u de draairichting verandert terwijl het gereedschap nog draait, kan het gereedschap beschadigd raken.
- Zet de omkeerschakelaar altijd in de neutrale stand wanneer u het gereedschap niet gebruikt.

Dit gereedschap heeft een omkeerschakelaar voor het veranderen van de draairichting. Druk de omkeerschakelaar in vanaf kant A voor rechtse, kloksgewijze draairichting, of vanaf kant B voor linkse draairichting.

Wanneer de omkeerschakelaar in de neutrale stand staat, kan de trekkerschakelaar niet worden ingedrukt.

Inschakelen van de verlichting (Fig. 5)

LET OP:

- Kijk niet recht in het lamplicht of de lichtbron.

Druk de trekkerschakelaar in zodat de lamp gaat branden. De lamp blijft branden zolang u de trekkerschakelaar ingedrukt houdt. Het licht dooft automatisch, 10 seconden nadat u de trekkerschakelaar loslaat.

OPMERKING:

- Als het lensje van de lamp vuil is, veegt u dat schoon met een droge doek. Let op dat u geen krassen maakt op het lensglas van de lamp, want dat kan het licht belemmeren.

LED-indicator (Fig. 6)

De LED-indicator van het gereedschap geeft de volgende functies aan.

Functie	Toepassing	Status van LED-indicator/zoemer		Te nemen maatregel
		LED-indicator	Zoemer	
Vastdraaien met automatische afslag	Deze functie treedt in werking wanneer het gereedschap het vooringselste aandraaikoppel bereikt en het normale vastdraaien daarmee voltooid is. Dit dient ter voorkoming van overmatig vastdraaien.	Licht ongeveer één seconde lang groen op.	—	—
Vertraagd herstarten	Na het vastdraaien met automatische afslag zal het gereedschap ongeveer een seconde lang niet direct starten, ook al drukt u de trekkerschakelaar in.			
Waarschuwing voor onvoldoende aandraaien	Het aandraaien zal ontoereikend zijn als u de trekkerschakelaar loslaat voordat het vooringselste aandraaikoppel is bereikt.	Licht rood op.	Een lange piepton	Draai de schroef opnieuw vast.
Waarschuwing voor leegrakende accu	Dit geeft ongeveer de geschikte tijd aan voor het vervangen van de accu, wanneer die leeg raakt.	Langzaam rood knipperend.	Een reeks lange pieptonen	Vervang deze accu door een volledig opgeladen accu.
Controleren van de resterende accucapaciteit, en automatische afslag	Deze functie treedt in werking wanneer de accu bijna leeg is. Het gereedschap stopt dan onmiddellijk.	Licht rood op.	Een lange piepton	Vervang deze accu door een volledig opgeladen accu.
Controleren van de werking van de LED-indicator, de lamp en de zoemer.	Wanneer er een accu in het gereedschap wordt aangebracht, controleert deze functie de werking van de LED-indicator, de lamp en de zoemer.	Licht eerst groen en dan rood op. (En dan gaat de lamp branden.)	Een reeks heel korte pieptonen	—
Neutraliseren van het regelmechanisme	Wanneer zich een abnormale vermindering van de accuspanning voordoet, treedt deze functie in werking en stopt het gereedschap.	Knippert beurtings rood en groen.	Een reeks korte pieptonen	Vervang deze accu door een volledig opgeladen accu.
Oververhitting	Wanneer de temperatuur van het regelmechanisme erg hoog oploopt, treedt deze functie in werking en stopt het gereedschap.	Snel rood knipperend.	Een reeks korte pieptonen	Verwijder onmiddellijk de accu en laat het gereedschap afkoelen.
Onjuiste bediening van de trekkerschakelaar	Deze functie voorkomt dat het gereedschap direct start wanneer u een accu aanbrengt terwijl de trekkerschakelaar wordt ingedrukt.	Knippert beurtings rood en groen.	Een reeks korte pieptonen	Laat de trekkerschakelaar los.
Waarschuwing voor limiet van de aandraaicapaciteit.	Wanneer de aandraaicapaciteit wordt overschreden, stopt het gereedschap automatisch zonder dat de koppeling aangrijpt.	Knippert beurtings rood en groen.	Een reeks korte pieptonen	Verwijder de accu en breng die dan opnieuw aan. Zorg dat u het gereedschap onder belasting binnen het capaciteitsbereik gebruikt.

013073

Instellen van het aandraaikoppel (Fig. 7 en 8)

Wanneer u kolomschroeven, houtschroeven, zeskant-inbusbouten e.d. met een gespecificeerd aandraaikoppel wilt aandraaien, kunt u het aandraaikoppel als volgt instellen.

1. Verwijder eerst de accu van het gereedschap.
2. Draai de schroef die de ring op zijn plaats houdt los en verwijder die.
3. Draai met de hand de ring aan de voorkant van het gereedschap zodat het gat onder de ring zichtbaar wordt.
4. Breng de accu aan en druk de trekkerschakelaar in. Laat de schakelaar los zodat de instelring draait en zichtbaar wordt in de opening. Verwijder vervolgens de accu.
5. Gebruik de los verkrijgbare instelgreep om het aandraaikoppel in te stellen. Steek de pen van de instelgreep in het gat aan de voorkant van het gereedschap. Draai daarna de instelgreep naar rechts om een groter aandraaikoppel in te stellen, of naar links om een kleiner aandraaikoppel in te stellen.
6. Plaats de gele streep tegenover het gewenste cijfer op de aandraaikoppelschaal.
7. Breng de accu aan en controleer met een aandraaikoppeltestapparaat of het aandraaikoppel juist is ingesteld.
8. Draai de ring aan de voorkant van het gereedschap en draai dan de schroef aan om de ring vast te zetten.

OPMERKING:

- De cijfers op de aandraaikoppelschaal dienen als een leidraad voor het instellen van het gewenste aandraaikoppel.

INNEENZETTEN

⚠ LET OP:

- Controleer altijd of het gereedschap is uitgeschakeld en de accu ervan is verwijderd alvorens enig werk aan het gereedschap uit te voeren.

Aanbrengen en verwijderen van het schroefbit of de sok (Fig. 9 en 10)

Gebruik alleen een schroefbit of sok zoals getoond in de afbeelding. Gebruik nooit enig ander type schroefbit of sok.

Om het bit te plaatsen, trekt u de klembus in de richting van de pijl en steekt u het bit zo ver mogelijk in de bus. Laat daarna de bus los om het bit te vergrendelen.

Om het schroefbit te verwijderen, trekt u de mof in de richting van de pijl en dan trekt u het bit er stevig uit.

OPMERKING:

- Als het bit niet diep genoeg in de klembus wordt gestoken, zal de bus niet naar haar oorspronkelijke positie terugkeren en zal het bit niet goed vastzitten. In dat geval dient u het bit opnieuw erin te steken volgens de bovenstaande aanwijzingen.

BEDIENING

Gebruik als schroevendraaier (Fig. 11)

Plaats de punt van het schroefbit in de schroefkop en oefen wat druk uit op het gereedschap. Schakel vervolgens het gereedschap in. Wanneer de koppeling aangrijpt, stopt de motor automatisch. Laat dan de trekkerschakelaar los.

OPMERKING:

- Zorg dat het schroefbit recht in de schroefkop steekt, anders kunnen de schroef en/of het bit beschadigd worden.

Grenzen van de aandraaicapaciteit

Gebruik het gereedschap binnen het bereik van een draaiingshoek tot 360°. Als u het gereedschap gebruikt voorbij de bovengrens van dit bereik, zal de koppeling niet werken. En dan kan het gereedschap niet voldoende aandraaikoppel leveren (zodat de LED-indicator beurtelings rood en groen gaat knipperen).

OPMERKING:

- De draaiingshoek is de hoek waarover een schroef/bout draait wanneer het gereedschap tussen 50% en 100% van het gewenste koppel bereikt.
- Bij gebruik van een erg koude accu kunnen het accucapaciteit-waarschuwingsslampje en de zoemer soms een waarschuwing voor te laag accuvermogen geven, waarbij het gereedschap onmiddellijk zal stoppen. In dit geval kan het aandraaicapaciteitsbereik lager zijn dan het hierboven opgegeven bereik, ook wanneer u een opgeladen accu gebruikt.

ONDERHOUD

⚠ LET OP:

- Zorg er altijd voor dat het gereedschap is uitgeschakeld en de accu is verwijderd, voordat u enige inspectie of onderhoud uitvoert.
- Gebruik nooit benzine, wasbenzine, thinner, alcohol en dergelijke. Hierdoor kunnen verkleuring, vervormingen en barsten worden veroorzaakt.

Koolborstels vervangen (Fig. 12 en 13)

Verwijder en controleer regelmatig de koolborstels. Vervang de koolborstels wanneer ze tot aan de limietmarkering versleten zijn. Houd de koolborstels schoon, zodat ze gemakkelijk in de houders glijden. Vervang altijd beide koolborstels tegelijk. Gebruik uitsluitend identieke koolborstels.

Gebruik een schroevendraaier om de doppen van de koolborstelhouders te verwijderen. Haal de versleten koolborstels eruit, plaats de nieuwe erin en zet daarna de doppen weer goed vast.

Om de VEILIGHEID en BETROUWBAARHEID van het product te handhaven, dienen alle reparaties en alle andere onderhoudswerkzaamheden of afstellingen te worden uitgevoerd door een erkend Makita Servicecentrum, en dat uitsluitend met gebruik van Makita vervangingsonderdelen.

OPTIONELE ACCESSOIRES

ENH101-16

⚠ LET OP:

- Deze accessoires of hulpstukken worden aanbevolen voor gebruik met het Makita gereedschap dat in deze gebruiksaanwijzing is beschreven. Bij gebruik van andere accessoires of hulpstukken bestaat er gevaar voor persoonlijke verwonding. Gebruik de accessoires of hulpstukken uitsluitend voor hun bestemde doel.

Raadpleeg het dichtstbijzijnde Makita servicecentrum voor verder advies of bijzonderheden omtrent deze accessoires.

- Originele Makita accu en acculader
- Instelgreep
- Beveiliging
- Handgreepset
- Greep 37
- Terugslagvrije kop

OPMERKING:

- Sommige onderdelen in deze lijst kunnen bij het gereedschap zijn meegeleverd als standaard-accessoires. Deze kunnen van land tot land verschillen.

ENG905-1

Geluidsniveau

De typisch, A-gewogen geluidsniveaus vastgesteld volgens EN60745:

Geluidsdrukniveau (L_{pA}): 70 dB (A) of minder
Onnauwkeurigheid (K): 3 dB (A)

Tijdens het werken kan het geluidsniveau 80 dB (A) overschrijden.

Draag oorbeschermers

ENG900-1

Trilling

De totaalwaarde van de trillingen (triaxiale vectorsom) vastgesteld volgens EN60745:

Toepassing: schroeven aandraaien zonder slagbeweging
Trillingsemisatie (a_{h1}): 2,5 m/s² of minder
Onnauwkeurigheid (K): 1,5 m/s²

ENG901-1

- De opgegeven trillingsemisatiewaarde is gemeten volgens de standaardtestmethode en kan worden gebruikt om dit gereedschap te vergelijken met andere gereedschappen.
- De opgegeven trillingsemisatiewaarde kan ook worden gebruikt voor een beoordeling vooraf van de blootstelling.

⚠ WAARSCHUWING:

- De trillingsemisatie tijdens het gebruik van het elektrisch gereedschap in de praktijk kan verschillen van de opgegeven trillingsemisatiewaarde afhankelijk van de manier waarop het gereedschap wordt gebruikt.
- Zorg ervoor dat veiligheidsmaatregelen worden getroffen ter bescherming van de operator die zijn gebaseerd op een schatting van de blootstelling onder praktijkomstandigheden (rekening houdend met alle fasen van de bedrijfscyclus, zoals de tijdsduur gedurende welke het gereedschap is uitgeschakeld en stationair draait, naast de ingeschakelde tijdsduur).

Alleen voor Europese landen

EU-Verklaring van Conformiteit

Wij, Makita Corporation, als de verantwoordelijke fabrikant, verklaren dat de volgende Makita-machine(s):

Aanduiding van de machine:

Snoerloze schroevendraaier

Modelnr./ Type: BFT022F, BFT044F, BFT084F, BFT126F in serie zijn geproduceerd en

Voldoet aan de volgende Europese Richtlijnen:

2006/42/CE

En zijn gefabriceerd in overeenstemming met de volgende normen of genormaliseerde documenten:

EN60745

De technische documentatie wordt bewaard door:

Makita International Europe Ltd.

Technische afdeling,

Michigan Drive, Tongwell,

Milton Keynes, Bucks MK15 8JD, Engeland

26.12.2011



Tomoyasu Kato

Directeur

Makita Corporation

3-11-8, Sumiyoshi-cho,

Anjo, Aichi, 446-8502, JAPAN

Gürültü

EN60745 uyarınca hesaplanan tipik A-ağırlıklı gürültü düzeyi:

Ses basınç seviyesi (L_{pA}): 70 dB (A)'den az

Belirsizlik (K): 3 dB (A)

İşlem sırasında gürültü seviyesi 80 dB (A)'yi geçebilir.

Kulak koryucusu takın

ENG900-1

Titreşim

EN60745 standardına göre hesaplanan titreşim toplam değeri (üç eksenli vektör toplamı):

Çalışma modu: darbesiz vidalama

Titreşim emisyonu (a_h): 2,5 m/s²'den az

Belirsizlik (K): 1,5 m/s²

ENG901-1

- Beyan edilen titreşim emisyon değeri standart test yöntemine uygun şekilde ölçülmüştür ve bir aleti bir başkasıyla karşılaştırmak için kullanılabilir.
- Beyan edilen titreşim emisyon değeri bir ön maruz kalma değerlendirmesi olarak da kullanılabilir.

⚠ UYARI:

- Bu elektrikli aletin gerçek kullanımı sırasındaki titreşim emisyonu aletin kullanım biçimlerine bağlı olarak beyan edilen emisyon değerinden farklı olabilir.
- Gerçek kullanım koşullarındaki maruz kalmanın bir tahmini hesaplaması temelinde operatörü koruyacak güvenlik önlemlerini mutlaka belirleyin (çalışma döngüsü içerisinde aletin kapalı olduğu ve aktif durumda olmasının yanı sıra boşta çalıştığı zamanlar gibi, bütün zaman dilimleri göz önünde bulundurularak değerlendirilmelidir).

Sadece Avrupa ülkeleri için**EC Uygunluk Beyanı**

Sorumlu imalatçı olarak biz Makita Corporation beyan ederiz ki aşağıdaki Makita makine (ler):

Makine Adı:

Akülü Tornavida

Model No./ Tipi: BFT022F, BFT044F, BFT084F, BFT126F

seri üretilmişlerdir ve

Aşağıdaki Avrupa Direktiflerine uygundur:

2006/42/EC

ve aşağıdaki standartlara veya standartlaştırılmış belgelere uygun olarak imal edilmişlerdir:

EN60745

Teknik dokümantasyon şurada muhafaza edilmektedir:

Makita International Europe Ltd.

Teknik Departman,

Michigan Drive, Tongwell,

Milton Keynes, Bucks MK15 8JD, England

26.12.2011



Tomoyasu Kato

Müdür

Makita Corporation

3-11-8, Sumiyoshi-cho,

Anjo, Aichi, 446-8502, JAPAN

Makita Corporation

Anjo, Aichi, Japan