



Original Instruction Manual
Instructions d'emploi d'origine
Originalbetriebsanleitung
Manuale di istruzioni originale
Originele gebruiksaanwijzing
Instrucciones de manejo originales
Instruções de serviço original
Original brugsanvisning
Πρωτότυπο εγχειρίδιο οδηγιών
Orijinal Kullanım Kılavuzu

Important:

Read this instruction manual carefully before putting the Petrol String Trimmer into operation and strictly observe the safety regulations!
Preserve instruction manual carefully!

Important :

Veillez lire attentivement ce mode d'emploi avant d'utiliser la débroussailleuse thermique, et observez strictement les consignes de sécurité !
Veillez à conserver ce mode d'emploi !

Wichtig:

Lesen Sie vor Verwendung des Motor-Rasentrimmers diese Betriebsanleitung aufmerksam durch und halten Sie die Sicherheitsregeln strikt ein!
Bewahren Sie diese Betriebsanleitung sorgfältig auf!

Importante:

Leggere attentamente il presente manuale di istruzioni prima di mettere in funzione il tagliabordi a benzina e rispettare rigorosamente le normative sulla sicurezza.

Conservare con cura il manuale di istruzioni.

Belangrijk:

Lees deze gebruiksaanwijzing aandachtig door voordat u de benzinegraskantmaaier in gebruik neemt en houdt u te allen tijde aan de veiligheidsinstructies!

Bewaar deze gebruiksaanwijzing zorgvuldig!

Importante:

Lea atentamente este manual de instrucciones antes de utilizar la desbrozadora y cumpla estrictamente la normativa de seguridad.
Conserve el manual de instrucciones con cuidado.

Importante:

Leia cuidadosamente este manual de instruções antes de utilizar a Roçadeira A Gasolina e cumpra todas as normas de segurança!
Guarde este manual de instruções num local seguro!

Vigtigt:

Læs denne brugsanvisning omhyggeligt igennem inden du anvender den benzindrevne trådtrimmer og overhold sikkerhedsregulativerne til mindste detalje!

Gem denne brugsanvisning omhyggeligt!

Σημαντικό:

Διαβάστε αυτό το εγχειρίδιο οδηγιών προσεκτικά πριν θέσετε σε λειτουργία το βενζινοκίνητο χλοοκοπτικό και τηρήστε με ακρίβεια τους κανονισμούς ασφαλείας!

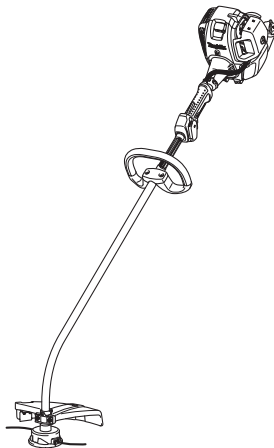
Διατηρήστε με προσοχή το εγχειρίδιο οδηγιών!

Önemli:

Benzinli Misinalı Yan Tırpanı kullanmaya başlamadan önce bu kullanım kılavuzunu dikkatli bir şekilde okuyun ve güvenlik talimatlarını sıkı bir şekilde takip edin!

Kullanım kılavuzunu dikkatli şekilde saklayın!

ER2650LH



Thank you very much for purchasing the MAKITA Outdoor Power Equipment. We are pleased to recommend to you the MAKITA product which is the result of a long development program and many years of knowledge and experience. Please read this booklet which refers in detail to the various points that will demonstrate its outstanding performance. This will assist you to obtain the best possible result from your MAKITA product.






















Table of Contents

Page

Symbols.....	2
Safety instructions	3
Technical data.....	6
Designation of parts.....	7
Mounting of handle	8
Mounting of protector.....	8
Mounting of nylon cutting head.....	8
Before start of operation	9
Points in operation and how to stop	11
The nylon cutting head	12
Servicing instructions.....	14
Storage	17

SYMBOLS

You will note the following symbols when reading the instructions manual.

	Read instruction manual and follow the warnings and safety precautions!		Wear protective helmet, eye and ear protection.
	Take Particular care and attention!		Top permissible tool speed
	Forbidden!		Fuel (Gasoline)
	Keep distance!		Engine-manual start
	Flying object hazard!		Emergency stop
	No smoking!		First Aid
	No open flame!		ON/START
	Protective gloves must be worn!		OFF/STOP
	Wear sturdy boots with nonslip soles. Steeltomed safety boots are recommended!		Never use metal blades
	Keep the area of operation clear of all persons and pets!		

SAFETY INSTRUCTIONS

General Instructions

- Read this instruction manual to become familiar with handling of the equipment. Users insufficiently informed will risk danger to themselves as well as others due to improper handling.
- It is recommended only to lend the equipment to people who have proven to be experienced. Always hand over the instruction manual.
- First users should ask the dealer for basic instructions to familiarize oneself with the handling of string trimmers.
- Children and young persons aged under 18 years must not be allowed to operate this equipment. Persons over the age of 16 years may however use the device for the purpose of being trained while under supervision of a qualified trainer.
- Use with the utmost care and attention.
- Operate only if you are in good physical condition. Perform all work calmly and carefully. The user has to accept liability for others.
- Never use this equipment after consumption of alcohol or drugs, or if feeling tired or ill.
- National regulation can restrict the use of the machine.

Intended use of the machine

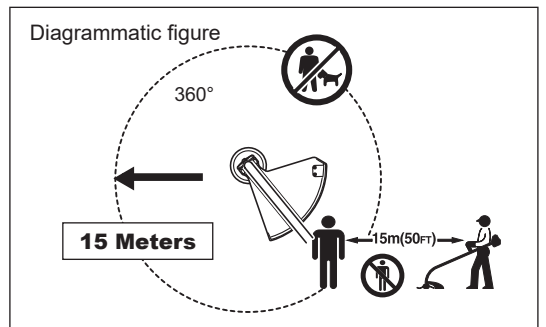
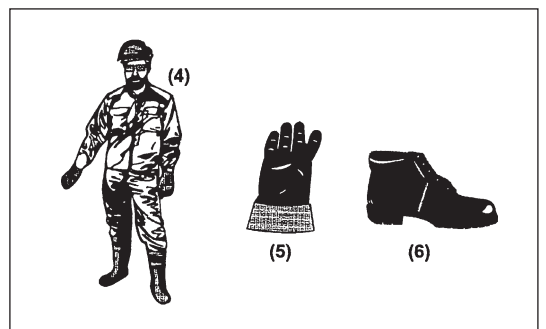
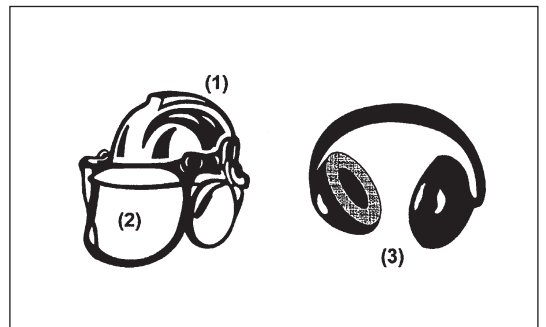
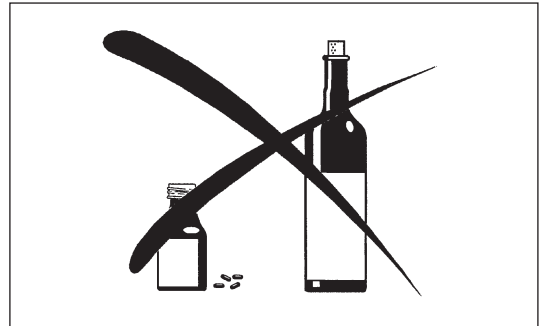
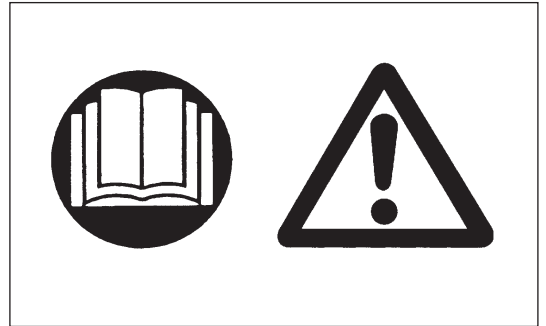
- This equipment is only intended for cutting grass and light weeds. It should not be used for any other purpose such as edging or hedge cutting as this may cause injury.

Personal protective equipment

- The clothing worn should be functional and appropriate, i.e. it should be tight-fitting but not cause hindrance. Do not wear either jewelry or clothing which could become entangled with bushes or shrubs.
- In order to avoid either head-, eye-, hand- or foot injuries as well as to protect your hearing the following protective equipment and protective clothing must be used during operation.
- Always wear a helmet where there is a risk of falling objects. The protective helmet (1) is to be checked at regular intervals for damage and is to be replaced at the latest after 5 years. Use only approved protective helmets.
- The visor (2) of the helmet (or alternatively goggles) protects the face from flying debris and stones. During operation always wear goggles, or a visor to prevent eye injuries.
- Wear adequate noise protection equipment to avoid hearing impairment (ear muffs (3), ear plugs etc.).
- The work overalls (4) protect against flying stones and debris. We strongly recommend that the user wears work overalls.
- Gloves (5) are part of the prescribed equipment and must always be worn during operation.
- When using the equipment, always wear sturdy shoes (6) with a non-slip sole. This protects against injuries and ensures a good footing.

Starting up the Petrol String Trimmer

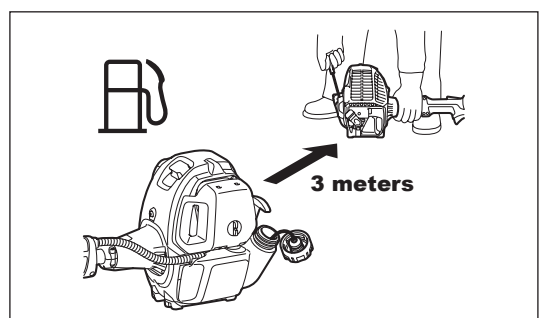
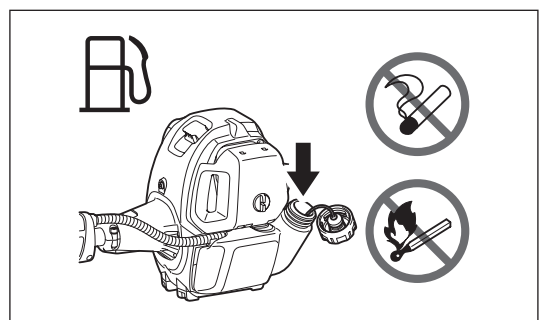
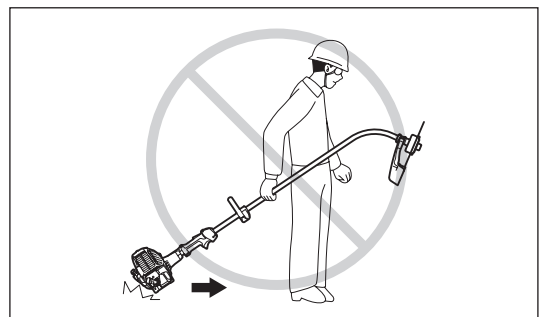
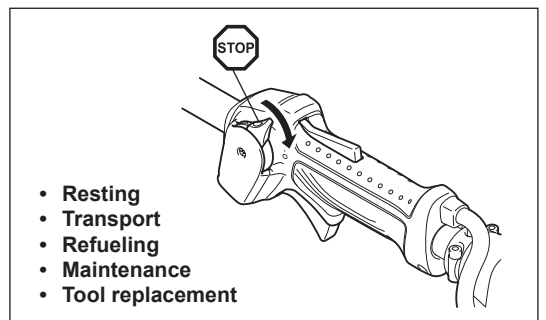
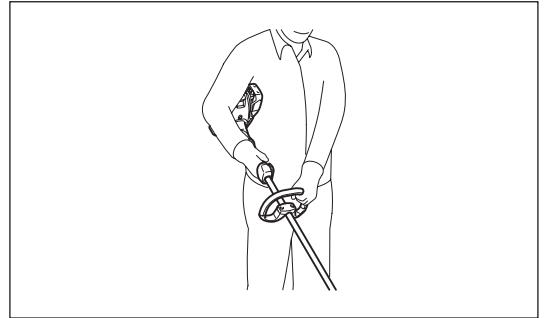
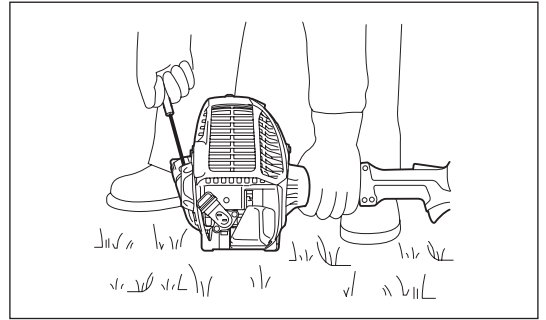
- Please make sure that there are no children or other people within a working range of 15 meters (50 ft), also pay attention to any animals in the working vicinity.
- Before use always check the equipment is safe for operation: Check the security of the cutting attachment, the throttle lever for easy action and check for proper functioning of the throttle lever lock.
- Rotation of the cutting attachment during idling speed is not allowed. Check with your dealer for adjustment if in doubt. Check for clean and dry handles and test the function of the start/stop switch.



- Start the Petrol String Trimmer only in accordance with the instructions.
- Do not use any other methods for starting the engine!
- Use the Petrol String Trimmer and the tools only for such applications as specified.
- Only start the engine, after the entire assembly is done. Operation of the device is only permitted after all the appropriate accessories are attached!
- Before starting make sure that the cutting attachment has no contact with hard objects such as branches, stones etc. as the cutting attachment will revolve when starting.
- The engine is to be switched off immediately in case of any engine problems.
- Should the cutting attachment hit stones or other hard objects, immediately switch off the engine and inspect the cutting attachment.
- Inspect the cutting attachment at short regular intervals for damage (detection of hairline cracks by means of tapping-noise test).
- If the equipment gets heavy impact or fall, check the condition before continuing work. Check the fuel system for fuel leakage and the controls and safety devices for malfunction. If there is any damage or doubt, ask our authorized service center for the inspection and repair.
- During operation always hold the Petrol String Trimmer with both hands. Never hold the Petrol String Trimmer with one hand during use. Always ensure a safe footing.
- Operate the equipment in such a manner as to avoid inhalation of the exhaust gases. Never run the engine in enclosed rooms (risk of gas poisoning). Carbon monoxide is an odorless gas.
- Switch off the engine when resting and when leaving the equipment unattended, and place it in a safe location to prevent danger to others or damage to the machine.
- Never put the hot Petrol String Trimmer onto dry grass or onto any combustible materials.
- Always install the approved cutting attachment guard onto the equipment before starting the engine. Otherwise contact with the cutting attachment may cause serious injury.
- All protective installations and guards supplied with the machine must be used during operation.
- Never operate the engine with faulty exhaust muffler.
- Shut off the engine during transport.
- Ensure safe position of the equipment during car transportation to avoid fuel leakage.
- When transporting, ensure that the fuel tank is completely empty.
- When unloading the equipment from the truck, never drop the Engine to the ground or this may severely damage the fuel tank.
- Except in case of emergency, never drop or cast the equipment to the ground or this may severely damage the equipment.
- Remember to lift the entire equipment from the ground when moving the equipment. Dragging the fuel tank is highly dangerous and will cause damage and leakage of fuel, possibly causing fire.

Refueling

- Shut off the engine during refueling, keep away from open flames and do not smoke.
- Avoid skin contact with mineral oil products. Do not inhale fuel vapor. Always wear protective gloves during refueling. Change and clean protective clothing at regular intervals.
- Take care not to spill either fuel or oil in order to prevent soil contamination (environmental protection). Clean the Petrol String Trimmer immediately after fuel has been spilled.
- Avoid any fuel contact with your clothing. Change your clothing instantly if fuel has been spilt on it (to prevent clothing catching fire).
- Inspect the fuel cap at regular intervals making sure that it can be securely fastened and does not leak.
- Carefully tighten the fuel tank cap. Change location to start the engine (at least 3 meters away from the place of refueling).
- Never refuel in closed rooms. Fuel vapors accumulate at ground level (risk of explosions).
- Only transport and store fuel in approved containers. Make sure the fuel stored is not accessible to children.



Method of operation

- Only use in good light and visibility. During the winter season beware of slippery or wet areas, ice and snow (risk of slipping). Always ensure a safe footing.
- Never cut above waist height.
- Never stand on a ladder.
- Never climb up into trees to perform cutting operation.
- Never work on unstable surfaces.
- Remove sand, stones, nails etc. found within the working range.
- Before commencing cutting, the cutting attachment must have reached full working speed.
- Swing the Petrol String Trimmer evenly.
If grass or branches get caught between the cutting attachment and guard, always stop the engine before cleaning. Otherwise unintentional attachment rotation may cause serious injury.
- Take a rest to prevent loss of control caused by fatigue. We recommend to take a 10 to 20-minute rest every hour.



Cutting attachments

- Never use metal blades including metal multi-piece pivoting chains and flail blades. Otherwise blade contact may cause serious injury.

Vibration

- People with poor circulation who are exposed to excessive vibration may experience injury to blood vessels or the nervous system. Vibration may cause the following symptoms to occur in the fingers, hands or wrists: "Falling asleep" (numbness), tingling, pain, stabbing sensation, alteration of skin color or of the skin. If any of these symptoms occur, see a physician!
- To reduce the risk of "white finger disease", keep your hands warm during operation and well maintain the equipment and accessories.



Maintenance instructions

- Have your equipment serviced by our authorized service center, always using only genuine replacement parts. Incorrect repair and poor maintenance can shorten the life of the equipment and increase the risk of accidents.
- The condition of the equipment, in particular of the cutting attachment of the protective devices must be checked before commencing work.
- Turn off the engine and remove spark plug connector when replacing cutting attachments, and also when cleaning the cutter or cutting attachment.
- Pay attention to the environment. Avoid unnecessary throttle operation for less pollution and noise emissions. Adjust the carburetor correctly.
- Clean the equipment at regular intervals and check that all screws and nuts are well tightened.
- Never service or store the equipment in the vicinity of naked flames.
- Always store the equipment in locked rooms and with an emptied fuel tank.



Observe the relevant accident prevention instructions issued by the relevant trade associations and by the insurance companies. Do not perform any modifications to the equipment as this will endanger your safety.

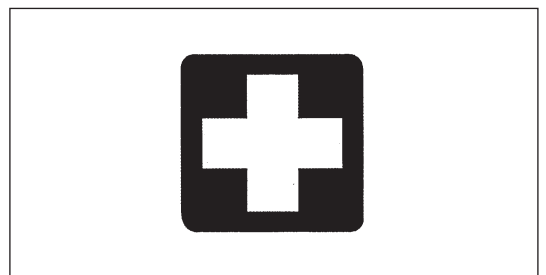
The performance of maintenance or repair work by the user is limited to those activities as described in the instruction manual. All other work is to be done by an Authorized Service Agent. Use only genuine spare parts and accessories released and supplied by MAKITA. Use of non-approved accessories and tools means increased risk of accidents. MAKITA will not accept any liability for accidents or damage caused by the use of non-approved cutting attachments and fixing devices of cutting attachments, or accessories.

First Aid

In case of accident make sure that a first-aid box is available in the vicinity of the cutting operations. Immediately replace any item taken from the first aid box.

When asking for help, please give the following information:

- Place of accident
- What happened
- Number of injured persons
- Kind of injuries
- Your name



TECHNICAL DATA ER2650LH

Model		ER2650LH		
Handle type		Loop handle		
Dimensions: length x width x height (without cutting attachment)		mm	1,621 x 310 x 479	
Cutting diameter		mm	412	
Mass (without plastic guard and cutting attachment)		kg	4.8	
Volume (fuel tank)		L	0.6	
Volume (oil reservoir)		L	0.08	
Engine displacement		cm ³	25.4	
Maximum engine performance		kw	0.77 at 7,000 min ⁻¹	
Engine speed at recommended max. spindle speed		min ⁻¹	10,000	
Maximum rotational frequency of the spindle		min ⁻¹	7,900	
Idling speed		min ⁻¹	3,000	
Clutch engagement speed		min ⁻¹	3,900	
Carburetor		Diaphragm type		
Ignition system		Non-contact, magnet type		
Spark plug		type	NGK CMR4A	
Electrode gap		mm	0.7 - 0.8	
Vibration per ISO 22867	Right handle (Rear grip)	$a_{hv\ eq}$	m/s ²	8.2
		Uncertainty K	m/s ²	0.9
	Left handle (Front grip)	$a_{hv\ eq}$	m/s ²	5.0
		Uncertainty K	m/s ²	1.7
Sound pressure level average to ISO 22868	$L_{PA\ eq}$	dBA	97.5	
	Uncertainty K	dBA	1.8	
Sound power level average to ISO 22868	$L_{WA\ eq}$	dBA	107.3	
	Uncertainty K	dBA	2.5	
Fuel		Automobile gasoline (petrol)		
Engine Oil		API grade SF class or higher, SAE 10W-30 oil (automobile 4-stroke engine oil)		

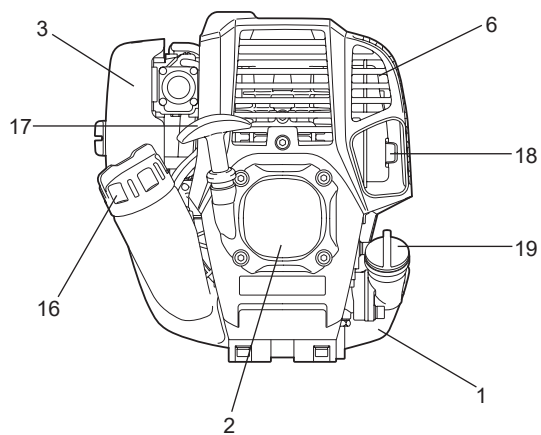
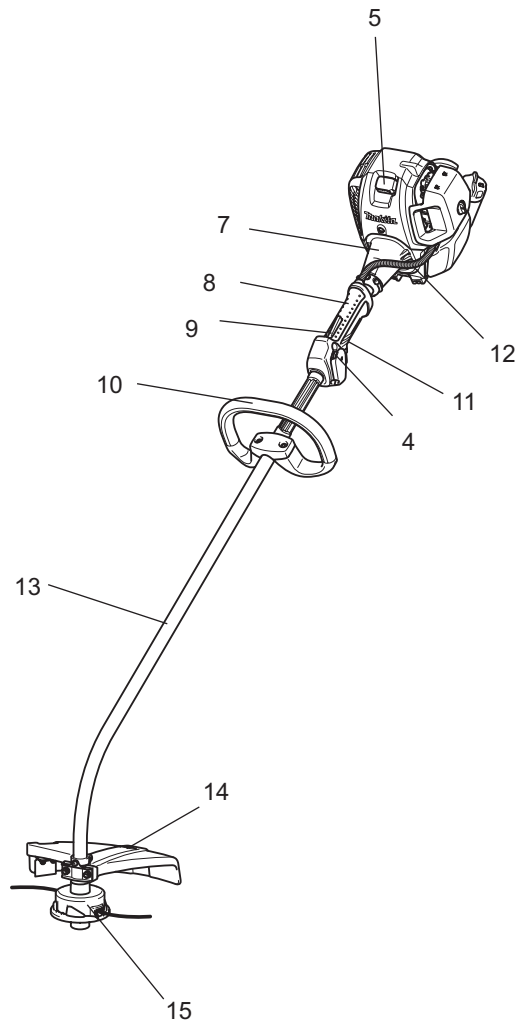
For European countries only

EC Declaration of Conformity

The EC declaration of conformity is included as Annex A to this instruction manual.

DESIGNATION OF PARTS

ER2650LH



GB	DESIGNATION OF PARTS
1	Fuel tank
2	Rewind starter
3	Air cleaner
4	I-O switch (on/off)
5	Spark plug
6	Exhaust muffler
7	Clutch case
8	Rear grip
9	Lock-off lever
10	Handle
11	Throttle lever
12	Control cable
13	Shaft
14	Protector (Cutting attachment guard)
15	Nylon cutting head
16	Fuel filler cap
17	Starter knob
18	Exhaust pipe
19	Oil cap

MOUNTING OF HANDLE

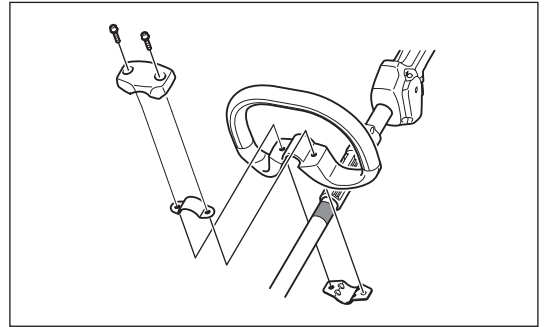
⚠ CAUTION: Before doing any work on the equipment, always stop the engine and pull the spark plug connector off the spark plug. Always wear protective gloves!

⚠ CAUTION: Start the engine only after having assembled it completely.

For machines with loop handle

- Fix the loop handle on the shaft as shown.
- Make sure that the spacer on the shaft pipe is located between the grip assembly and the other grip. Do not remove or shrink the spacer.

NOTE: In some countries, the spacer is not provided with the tool. In that case, align the handle to further side of the line which is indicated by the arrow marks.



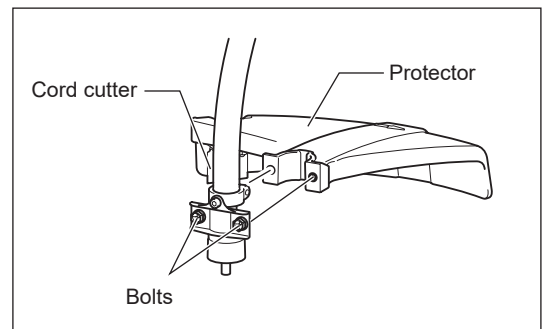
MOUNTING OF PROTECTOR

To meet the applicable safety provisions, only the tool/protector combinations as indicated in the table must be used.

⚠ CAUTION: Do not touch the cord cutter on the protector. Touching the cord cutter with bare hands may result in injury.

The protector must be installed to maintain the nylon-cutting-cord length and protect the operator from thrown stones and debris. Install the protector as the following steps.

1. Set the protector so that the rib on the shaft fits into the groove on the protector.
2. Tighten two bolts.



MOUNTING OF NYLON CUTTING HEAD

⚠ WARNING: Never use cutting blades.

Be sure to use genuine MAKITA nylon cutting head.

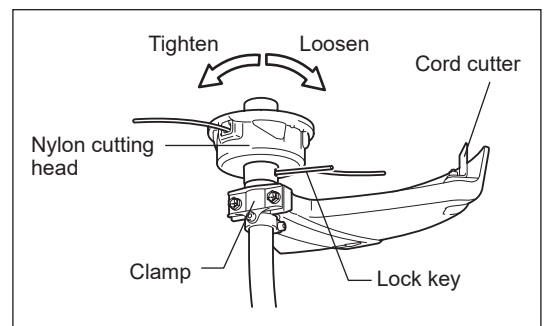
- If the nylon cutting head hits against a stone during operation, stop the engine and check the nylon cutting head immediately.

⚠ CAUTION: Do not touch the cord cutter on the protector. Touching the cord cutter with bare hands may result in injury.

Mount a nylon cutting head as the following steps.

1. Insert the lock key through the hole on the clamp. Rotate them with pushing the lock key in until they are locked.
2. Screw a nylon cutting head onto the shaft by turning it clockwise. Make sure that it is mounted securely.
3. Remove the lock key.

To remove the nylon cutting head, turn it counterclockwise.



BEFORE START OF OPERATION

Inspection and refill of engine oil

- Perform the following procedure, with the engine cooled down.
- Set the engine level, remove oil cap (Fig. 1), and check to see whether or not there is oil in the range between the upper limit and lower limit marks of the oil pipe (Fig. 2).
- Fill with oil to upper limit mark if oil is insufficient (oil level is close to lower limit mark) (Fig. 3).
- The area surrounding the external marks is transparent, so the amount of oil inside can be checked without having to remove the oil cap. However, if oil pipe becomes extremely dirty, visibility may be lost, and oil level will have to be checked against stepped section on inside of oil pipe.
- For reference, the oil refill time is about 10h (10 times or 10 reservoirs of gas before oil needs to be refilled). If the oil changes in color or mixes with dirt, replace it with new one. (For the interval and method of replacement, refer to P 14)

Recommended oil: SAE 10W-30 oil of API Classification, Class SF or higher (4-stroke engine for automobile)

Oil volume: Approx. 0.08L

NOTE: If the engine is not kept upright, oil may pool in other parts of the engine. The oil level gauge may give an incorrect reading for oil level. Do not fill with oil if engine is not upright. If the oil is filled above the limit, the oil may be contaminated or may catch fire with white smoke.

Point 1 in Replacement of oil: "Oil cap"

- Remove dust or dirt near the oil refill port, and detach the oil cap.
- Keep the detached oil cap free of sand or dust. Otherwise, any sand or dust adhering to the oil cap may cause irregular oil circulation or wear on the engine parts, which will result in troubles.

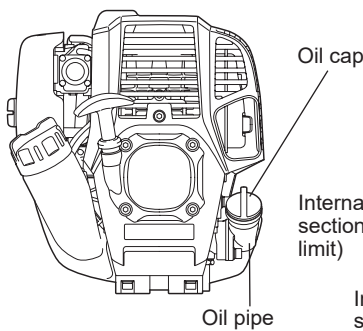


Fig. 1

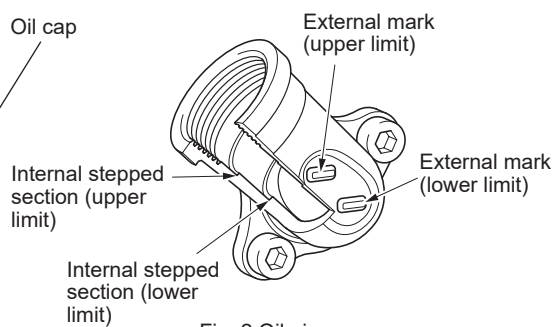


Fig. 2 Oil pipe

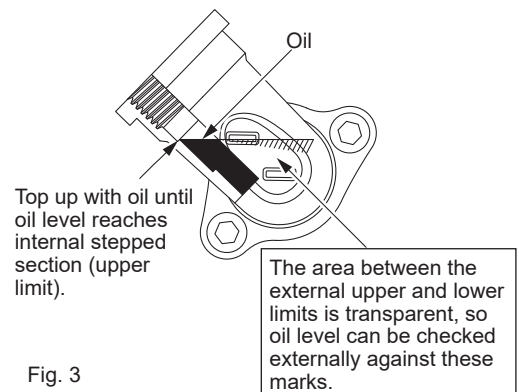
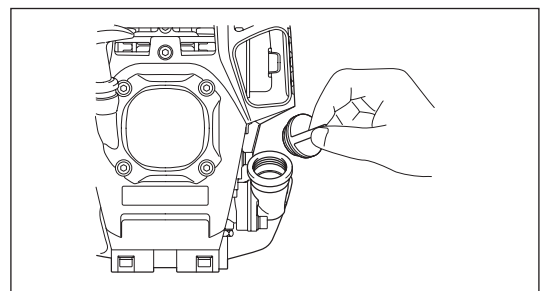
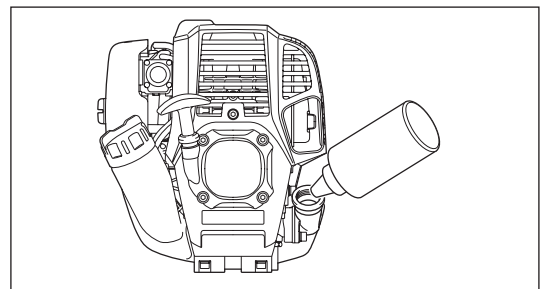


Fig. 3

(1) Keep the engine level, and detach the oil cap.



(2) Fill with oil to upper limit mark. (see Fig. 3)
Use oil bottle when filling.



(3) Securely tighten the oil cap. Insufficient tightening may cause oil leakage.

Note

- Do not replace oil with the engine in a tilted position.
- Filling with oil while engine is tilted leads to overfilling which causes oil contamination and/or white smoke.

Point 2 in Replacement of oil: "If oil spills out"

- If oil spills out between the fuel tank and engine main unit, the oil is sucked into through the cooling air intake port, which will contaminate the engine. Be sure to wipe out spilt oil before start of operation.

REFUELING

Handling of fuel

It is necessary to handle fuel with utmost care. Fuel may contain substances similar to solvents. Refueling must be performed in a sufficiently ventilated room or in the open air. Never inhale fuel vapor, and keep fuel away from you. If you touch fuel repeatedly or for a long time, the skin becomes dry, which may cause skin disease or allergy. If fuel enters into the eye, clean the eye with fresh water. If your eye remains still irritated, consult your doctor.

Storage period of fuel

Fuel should be used within a period of 4 weeks, even if it is kept in a special container in a well-ventilated and shaded area. Otherwise, fuel may deteriorate in one day.

STORAGE OF MACHINE AND REFILL TANK

- Keep the machine and tank at a cool place free from direct sunshine.
- Never keep the fuel in a car.

Fuel

The engine is a four-stroke engine. Be sure to use an unleaded automobile gasoline 87 or higher octane ((R+M)/2). It may contain no more than 10% alcohol (E-10).

Points for fuel

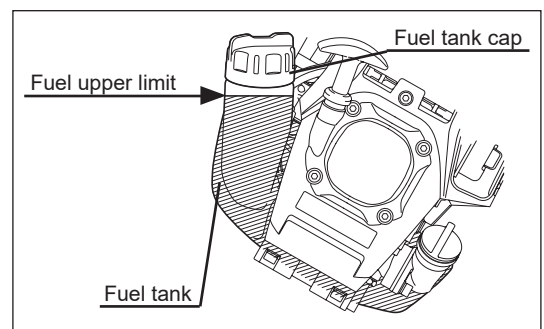
- Never use a gasoline mixture which contains engine oil. Otherwise, it will cause excessive carbon accumulation or mechanical troubles.
- Use of deteriorated oil will cause irregular start-up.

Refueling

⚠ WARNING: Shut off the engine before refueling, keep away from open flames and do not smoke.

Gasoline used: Unleaded automobile gasoline, 87 or higher octane. No more than 10% alcohol (E-10).

- Loosen the tank cap a little to release the tank pressure.
 - Detach the tank cap, and refuel, discharging air by tilting the fuel tank so that the refuel port will be oriented upward. DO NOT fill fuel up to the top of the tank.
 - Wipe the outside of the tank cap to prevent debris from entering into the fuel tank.
 - After refueling, securely tighten the tank cap.
- If there is any flaw or damage on the tank cap, replace it.
 - The tank cap wears out in course of time. Replace it every two to three years.
 - DO NOT put fuel in the oil fill port.



POINTS IN OPERATION AND HOW TO STOP

Observe the applicable accident prevention regulations!

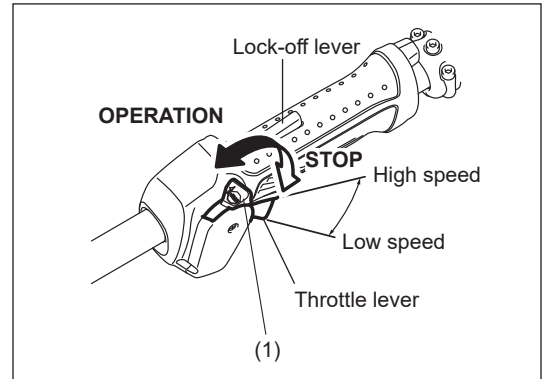


STARTING

Move at least 3 m away from the place of refueling. Place the unit on the ground taking care that the cutting attachment does not come into contact with the ground or any other objects.

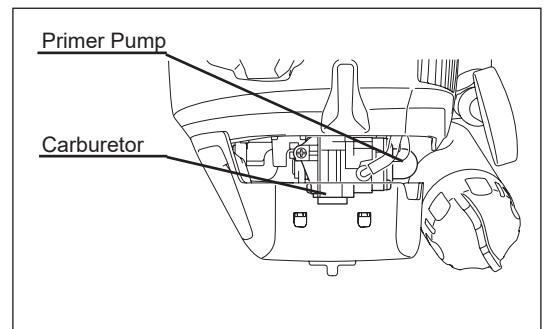
A: Cold start

- 1) Set this machine on a flat space.
- 2) Set the I-O switch (1) to OPERATION.



- 3) Primer pump

Continue to push the primer pump until fuel enters into the primer pump. (In general, fuel enters into the primer pump by 7 to 10 pushes.) If the primer pump is pushed excessively, an excess of gasoline returns to the fuel tank.



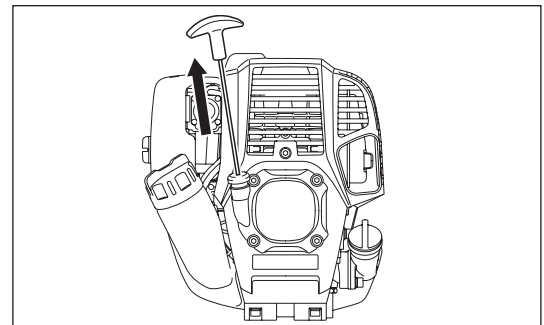
- 4) Recoil starter

Pull the start knob gently until it is hard to pull (compression point). Then, return the start knob, and pull it strongly.

Never pull the rope to the full. Once the start knob is pulled, never release your hand immediately. Hold the start knob until it returns to its original point.

- 5) Warm-up operation

Continue warm-up operation for 2 to 3 minutes.



NOTE: In case of excessive fuel intake (flooding), remove the spark plug and pull the starter handle slowly to remove excess fuel. Also, dry the electrode section of the spark plug.

B: Startup after warm-up operation

- 1) Push the primer pump repeatedly.
- 2) Keep the throttle lever at the idling position.
- 3) Pull the recoil starter strongly.
- 4) If it is difficult to start the engine, open the throttle by about 1/3.

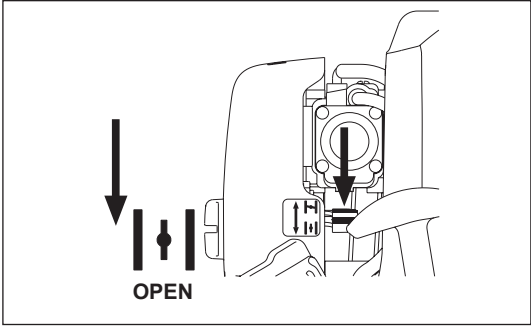
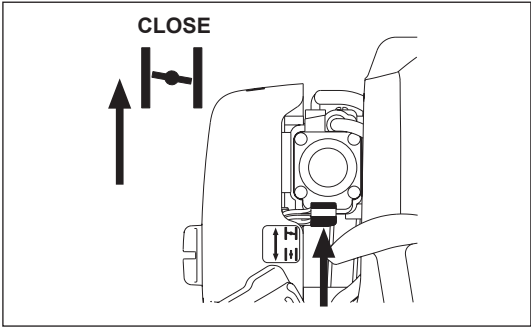
At times, such as winter, when starting the engine is difficult

Operate choke lever with the following procedure when starting engine.

- After implementing startup steps 1) to 3), set choke lever to the CLOSE position.
- Implement startup step 4) and start engine.
- Once engine starts, set choke lever to the OPEN position.
- Implement startup step 5) and complete warm up.

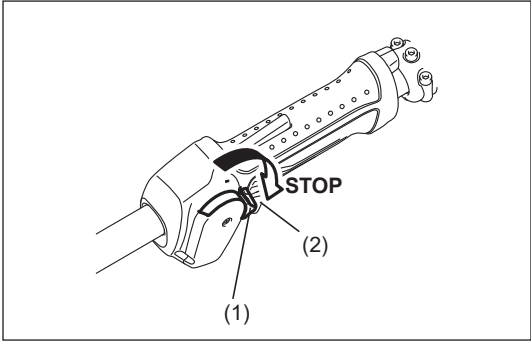
CAUTION: If a bang (explosive sound) is heard and the engine stops, or the just-started engine stalls before the choke lever is operated, return the choke lever to the OPEN position, and pull the starter knob a few times again to start the engine.

CAUTION: If the choke lever is left in the CLOSE position, and the starter knob merely pulled repeatedly, too much fuel will be sucked in, and the engine will become difficult to start.



STOPPING

- 1) Release the throttle lever (2) fully, and when the engine rpm has lowered, set the I-O switch to STOP the engine will now stop.
- 2) Be aware that the cutting head may not stop immediately and allow it to slow down fully.

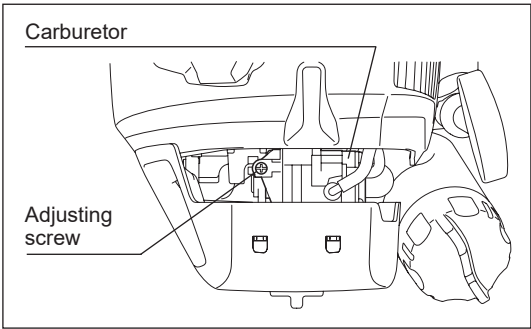


ADJUSTMENT OF LOW-SPEED ROTATION (IDLING)

When it is necessary to adjust the low-speed rotation (idling), perform it by the carburetor adjusting screw.

CHECKUP OF LOW-SPEED ROTATION

- Set the low-speed rotation to 3,000 min⁻¹.
If it is necessary to change the low speed rotation (idle) speed, use a phillips head screw driver on the screw illustrated on the right.
- Turn the adjusting screw to the right, and the engine rotation will increase. Turn the adjusting screw to the left, and the engine rotation will drop.
- The carburetor is generally adjusted before shipment. After several tanks of gasoline the idle rpm may need to be readjusted.



THE NYLON CUTTING HEAD

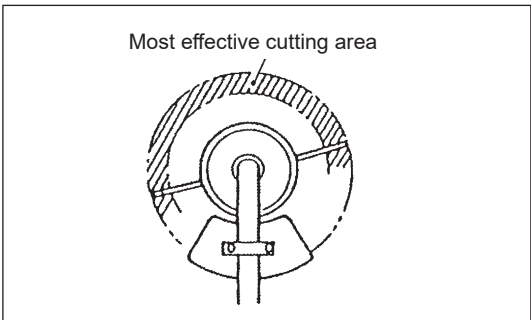
During operation, use the tip of the nylon cutting cord for cut.

Feeding the nylon cutting cord

As the nylon cutting cord is worn and shortened with the cutting operation, the operator needs to feed it manually.

To feed the nylon cutting cord, tap the nylon cutting head on the ground while it rotates around 6,000 min⁻¹.

NOTE: If the nylon cutting cord does not feed out, rewind it.



Replacing the nylon cord

⚠ WARNING: Make sure that the cover of the nylon cutting head is secured to the housing properly as described below. Failure to properly secure the cover may cause the nylon cutting head to fly apart resulting in serious personal injury.

Press inward on the housing latches and lift upward to remove the cover. Discard any of the remaining nylon cord.

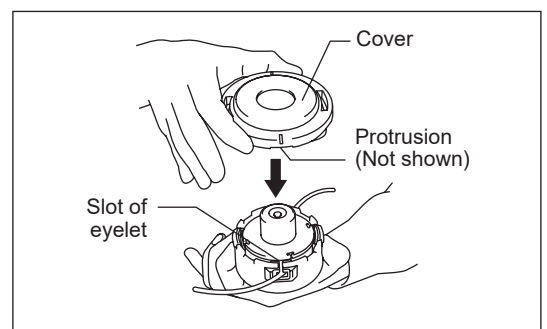
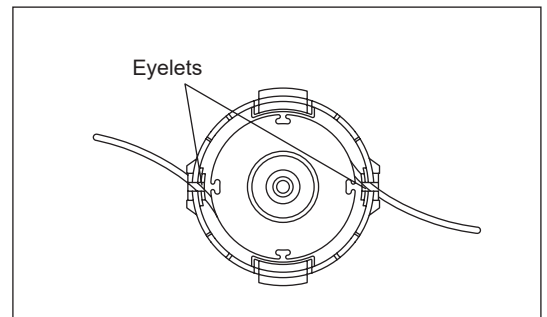
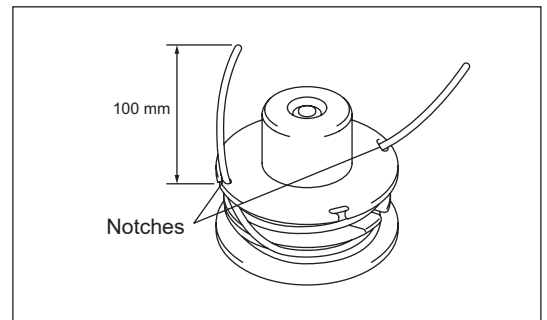
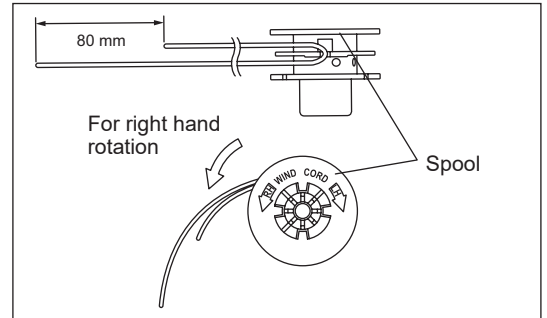
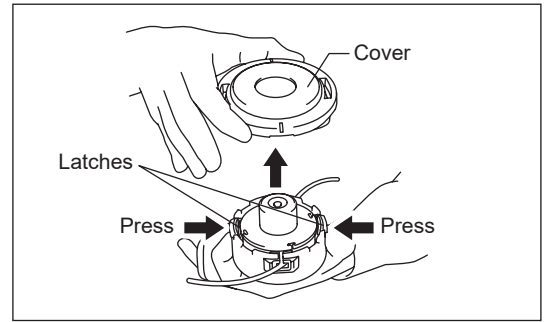
Hook the middle of the new nylon cord to the notch located at the center of the spool between the 2 channels provided for the nylon cord. One side of the cord should be about 80 mm longer than the other side.

Wind both ends firmly around the spool in the direction marked on the head for right hand direction indicated by RH.

Wind all but about 100 mm of the cords, leaving the ends temporarily hooked through a notch on the side of the spool.

Mount the spool in the housing so that the grooves and protrusions on the spool match up with those in the housing. Now, unhook the ends of the cord from their temporary position and feed the cords through the eyelets to come out of the housing.

Align the protrusion on the underside of the cover with the slots of the eyelets. Then push cover firmly onto the housing to secure it. Make sure the latches fully spread in the cover.



SERVICING INSTRUCTIONS

CAUTION: Before doing any work on the equipment, always stop the engine and pull the plug cap off the spark plug (see “checking the spark plug”).
Always wear protective gloves!

To ensure a long service life and to avoid any damage to the equipment, the following servicing operations should be performed at regular intervals.

Daily checkup and maintenance

- Before operation, check the machine for loose screws or missing parts. Pay particular attention to the tightness of the nylon cutting head.
- Before operation, always check for clogging of the cooling air passage and the cylinder fins.
Clean them if necessary.
- Perform the following work daily after use:
 - Clean the equipment externally and inspect for damage.
 - Clean the air filter. When working under extremely dusty conditions, clean the filter the several times a day.
 - Check the nylon cutting head for damage and make sure it is firmly mounted.
 - Check that there is sufficient difference between idling and engagement speed to ensure that the cutting attachment is at a standstill while the engine is idling (if necessary reduce idling speed).
If under idling conditions the tool should still continue to run, consult your nearest Authorized Service Agent.
- Check the functioning of the I-O switch, the lock-off lever, the throttle lever, and the lock button.

REPLACEMENT OF ENGINE OIL

Deteriorated engine oil will shorten the life of the engine. Be sure to check the oil and level regularly.



ATTENTION: In general, the engine main unit and engine oil still remain hot just after the engine is stopped. In replacement of oil, make sure that the engine main unit and engine oil are sufficiently cooled down. Otherwise, there may remain a risk of scald.

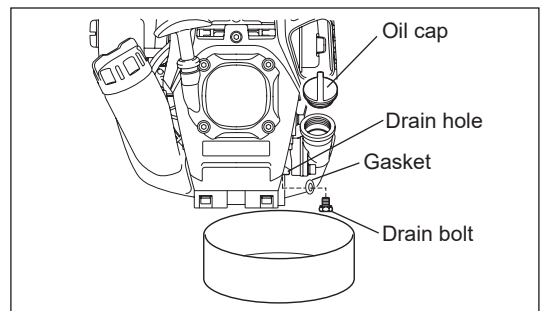
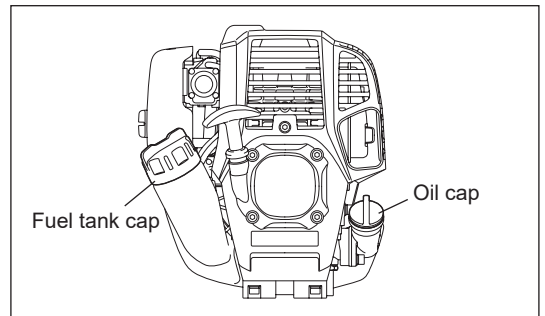
NOTE: If the oil filled above the limit, it may be contaminated or may catch fire with white smoke.

Interval of replacement: After first 20 operating hours, followed by every 50 operating hours.

Recommended oil: SAE10W-30 oil of API Classification SF Class or higher (4-stroke engine oil for automobile)

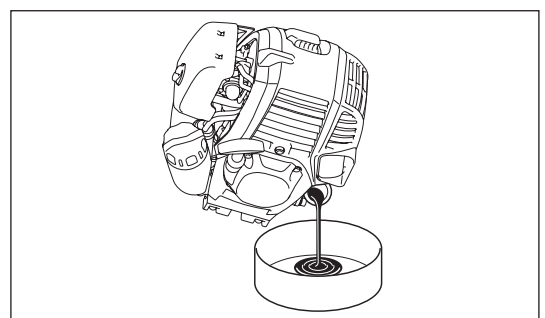
In replacement, perform the following procedure.

- 1) Make sure that the fuel tank cap is tightened securely.
- 2) Place large container (pan, etc.) under drain hole.
- 3) Remove drain bolt and then remove oil cap to drain out oil from drain hole.
At this time, be sure not to lose drain bolt's gasket, or get dirty any of the removed components.
- 4) Once all the oil has been drained, install gasket and drain bolt, and tightly secure drain bolt, so that it will not loosen and cause leaks.
* Use cloth to fully wipe off any oil attached to bolt and equipment.

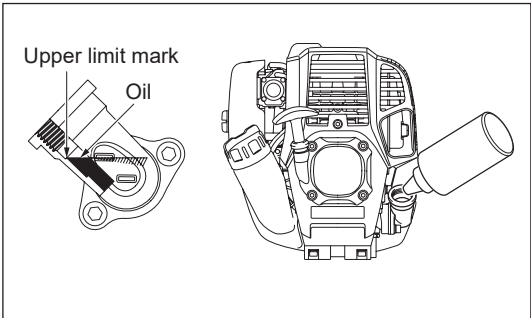
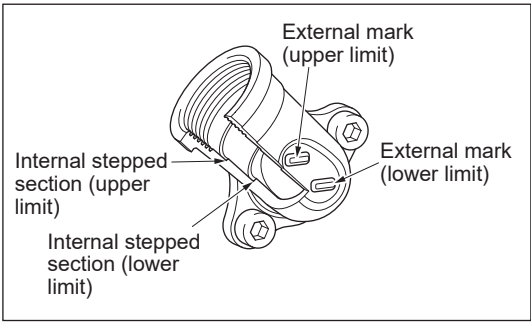


Alternative draining method

Remove oil cap, tilt the equipment toward oil filler hole, and drain out oil.
Collect oil in container.



- 5) Set the engine level, and gradually fill up to upper limit mark with new oil.
- 6) After filling, tightly secure oil cap, so that it will not loosen and cause leaks. If oil cap is not tightly secured, it may leak.



POINTS ON OIL

- Never discard replaced engine oil in garbage, earth or sewage ditch. Disposal of oil is regulated by law. In disposal, always follow the relevant laws and regulations. For any points remaining unknown, contact Authorized Service Agent.
- Oil will deteriorate even when it is kept unused. Perform inspection and replacement at regular intervals (replace with new oil every 6 months).

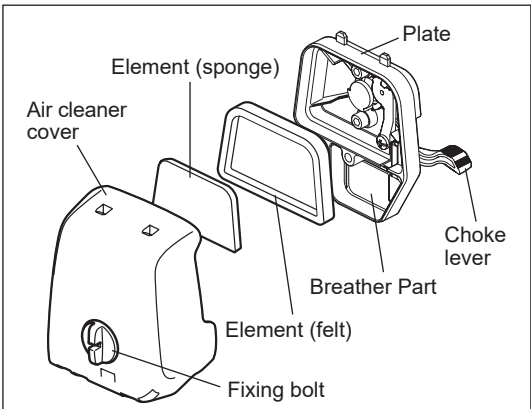
CLEANING OF AIR CLEANER



WARNING: Shut off the engine, keep away from open flames and do not smoke.

Interval of Cleaning and Inspection: Daily (every 10 operating hours)

- Turn the choke lever to the full close side, and keep the carburetor off from dust or dirt.
- Loosen the fixing bolt.
- Remove the air cleaner cover by pulling its bottom side.
- Remove the elements and tap them to remove dirt.
- If the elements are heavily contaminated: Remove the elements, immerse them in warm water or in water-diluted neutral detergent, and dry them completely. Do not squeeze or rub them when washing.
- Before attaching the elements, be sure to dry them completely. Insufficient drying of the elements may lead to difficult startup.
- Wipe out oil adhering around the air cleaner cover and the breather part with waste cloth.
- Fit the element (sponge) into the element (felt). Fit the elements into the plate so that the sponge faces the air cleaner cover.
- Immediately attach the cleaner cover and tighten it with fixing bolts. (In remounting, first place the upper claw, and then the lower claw.)



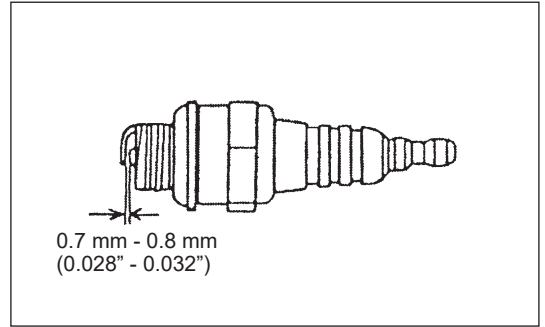
NOTICE:

- Clean the elements several times a day, if excessive dust adheres to it. Dirty elements reduce engine power and make starting engine difficult.
- Remove oil on the elements. If operation continues with the elements remaining not cleared of oil, oil in the air cleaner may fall outside, resulting in contamination of the environment.
- Do not put the elements on the ground or dirty place. Otherwise they pick up dirt or debris and it may damage the engine.
- Never use fuel for cleaning the elements. Fuel may damage them.

CHECKING THE SPARK PLUG

- Only use the supplied universal wrench to remove or to install the spark plug.
- The gap between the two electrodes of the spark plug should be 0.7 - 0.8 mm (0.028" - 0.032"). If the gap is too wide or too narrow, adjust it. If the spark plug is clogged or contaminated, clean it thoroughly or replace it.

⚠ CAUTION: Never touch the spark plug connector while the engine is running (danger of high voltage electric shock).



CLEANING OF FUEL FILTER

⚠ WARNING: INFLAMMABLES STRICTLY PROHIBITED

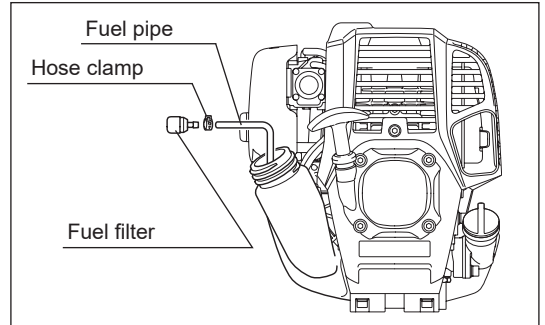
Interval of Cleaning and Inspection: Monthly (every 50 operating hours)

Suction head in the fuel tank

Check the fuel filter periodically. To check the fuel filter, follow the steps below.

- (1) Remove the fuel tank cap, drain the fuel to empty the tank. Check the tank inside for any foreign materials. If any, remove them.
- (2) Pull out the suction head by using a wire hook through the tank opening.
- (3) If the fuel filter clogged slightly, clean it. To clean it, gently shake and tap it in fuel. To avoid damage, do not squeeze or rub it. The fuel used for the cleaning must be disposed in accordance with the method specified by regulations in your country.
If the fuel filter became hard or heavily clogged up, replace it.
- (4) After checking, cleaning or replacing, push the fuel filter in all the way to the bottom of the fuel tank.

Clogged or damaged fuel filter can cause insufficient fuel supply and reduce engine power. Replace the fuel filter at least quarterly to ensure satisfactory fuel supply to the carburetor.



REPLACEMENT OF FUEL PIPE

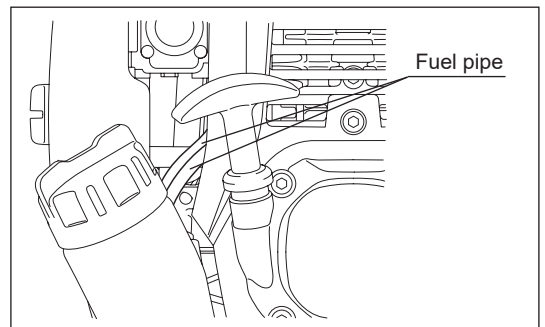
⚠ CAUTION: INFLAMMABLES STRICTLY PROHIBITED

Interval of Cleaning and Inspection: Daily (every 10 operating hours)

Replacement: Annually (every 200 operating hours)

Replace the fuel pipe every year, regardless of operating frequency. Fuel leakage may lead to fire.

If any leakage is detected during inspection, replace the fuel pipe immediately.



INSPECTION OF BOLTS, NUTS AND SCREWS

- Retighten loose bolts, nuts, etc.
- Check the fuel cap and oil cap for tightness. Check for fuel and oil leakage.
- Replace damaged parts with new ones for safety operation.

CLEANING OF PARTS

- Always keep the engine clean.
- Keep the cylinder fins and air inlet free of dust or dirt. Dust or dirt adhering to the fins will cause piston seizure.

REPLACEMENT OF GASKETS AND PACKINGS

In reassembling the engine, be sure to replace the gaskets and packings with new ones.

Any maintenance or adjustment work that is not included and described in this manual is only to be performed by Authorized Service Agents.

STORAGE



WARNING: When draining the fuel, be sure to stop the engine and make sure that the engine cools down. Just after stopping the engine, it may still be hot with possibility of burns, inflammability and fire.



ATTENTION: When the machine is kept out of operation for a long time, drain up all fuel from the fuel tank and carburetor, and keep it at a dry and clean place.

- Drain fuel from the fuel tank and carburetor according to the following procedure:
 - 1) Remove the fuel tank cap, and drain fuel completely.
If there is any foreign matter remaining in the fuel tank, remove it completely.
 - 2) Pull out the fuel filter from the refill port using a wire.
 - 3) Push the primer pump until fuel is drained from there, and drain fuel coming into the fuel tank.
 - 4) Put the filter to the fuel tank, and securely tighten the fuel tank cap.
 - 5) Then, continue to operate the engine until it stops.
- Remove the spark plug, and drip several drops of engine oil through the spark plug hole.
- Gently pull the starter handle so that engine oil will spread over the engine, and attach the spark plug.
- In general, store the machine in horizontal position, or if it is not possible, place the machine as the engine comes below the cutting tool. Otherwise engine oil may leak from inside. Pay full attention how to store the machine to prevent the machine from falling. Otherwise it may result in personal injury.
- Keep the drained fuel in a special container in a well-ventilated shade.

Attention after long-time storage

- Before startup after long-time shutdown, be sure to replace oil (refer to P 14). Oil will deteriorate while the machine is kept out of operation.

Fault location

Fault	System	Observation	Cause
Engine not starting or with difficulty	Ignition system	Ignition spark O.K.	Fault in fuel supply or compression system, mechanical defect
		No ignition spark	STOP-switch operated, wiring fault or short circuit, spark plug or connector defective, ignition module faulty
	Fuel supply	Fuel tank filled	Incorrect choke position, carburetor defective, fuel supply line bent or blocked, fuel dirty
	Compression	No compression when pulled over	Cylinder bottom gasket defective, crankshaft seals damaged, cylinder or piston rings defective or improper sealing of spark plug
Warm start problems	Mechanical fault	Starter not engaging	Broken starter spring, broken parts inside of the engine
		Tank filled ignition spark existing	Carburetor contaminated, have it cleaned
Engine starts but dies	Fuel supply	Tank filled	Incorrect idling adjustment, carburetor contaminated Fuel tank vent defective, fuel supply line interrupted, cable or STOP-switch faulty
Insufficient performance	Several systems may simultaneously be affected	Engine idling poor	Air filter contaminated, carburetor contaminated, muffler clogged, exhaust duct in the cylinder clogged

Item	Operating time	Before operation	After lubrication	Daily (10h)	30h	50h	200h	Shutdown/rest	Corresponding P
Engine oil	Inspect/clean	○							9
	Replace					○*1			14
Tightening parts (bolt, nut)	Inspect	○							16
Fuel tank	Clean/inspect	○							—
	Drain fuel							○*3	17
Throttle lever	Check function		○						—
Stop switch	Check function		○						12
Cutting attachment	Inspect	○		○					8
Low-speed rotation	Inspect/adjust			○					12
Air cleaner	Clean			○					15
Ignition plug	Inspect			○					16
Cooling air inlet	Clean/inspect			○					16
Fuel pipe	Inspect			○					16
	Replace						◎*2		—
Fuel filter	Clean/replace					○			16
Clearance between air intake valve and air discharge valve	Adjust						◎*2		—
Engine overhaul							◎*2		—
Carburetor	Drain fuel							○*3	17

*1 Perform initial replacement after 20h operation.

*2 For the 200 operating hour inspection, request Authorized Service Agent or a machine shop.

*3 After emptying the fuel tank, continue to run the engine and drain fuel in the carburetor.

TROUBLESHOOTING

Before making a request for repairs, check for trouble by yourself. If any abnormality is found, control your machine according to the description of this manual. Never tamper or dismount any part contrary to the description. For repairs, contact Authorized Service Agent or local dealership.

State of abnormality	Probable cause (malfunction)	Remedy
Engine does not start	Failure to operate primer pump	Push 7 to 10 times
	Low pulling speed of starter rope	Pull strongly
	Lack of fuel	Feed fuel
	Clogged fuel filter	Clean
	Broken fuel tube	Straighten fuel tube
	Deteriorated fuel	Deteriorated fuel makes starting more difficult. Replace with new fuel. (Recommended replacement: 1 month)
	Detached plug cap	Attach securely
	Contaminated spark plug	Clean
	Abnormal clearance of spark plug	Adjust clearance
	Other abnormality of spark plug	Replace
	Abnormal carburetor	Make request for inspection and maintenance.
	Starter rope cannot be pulled	Make request for inspection and maintenance.
	Abnormal drive system	Make request for inspection and maintenance.
Engine stops soon Engine speed does not increase	Insufficient warm-up	Perform warm-up operation
	Choke lever is set to "CLOSE" although engine is warmed up.	Set to "OPEN"
	Clogged fuel filter	Clean or replace
	Contaminated or clogged air cleaner	Clean
	Abnormal carburetor	Make request for inspection and maintenance.
	Abnormal drive system	Make request for inspection and maintenance.
The cutting attachment does not rotate. ↓ Stop engine immediately!	The cutting attachment is not tightened securely.	Tighten the cutting attachment securely.
	A twig is caught between the cutting attachment and the protector.	Remove the foreign matter.
	The drive system does not work properly.	Ask Makita authorized service center to inspect and repair it.
The unit vibrates abnormally. ↓ Stop engine immediately!	The cutting attachment is broken.	Replace the cutting attachment with new one.
	The cutting attachment is not tightened securely.	Tighten the cutting attachment securely.
	One end of nylon cutting cord has been broken and the nylon cutting head got unbalanced.	Feed the nylon cutting cord with tapping the nylon cutting head on the ground.
	The drive system does not work properly.	Ask Makita authorized service center to inspect and repair it.
The cutting attachment does not stop. ↓ Stop engine immediately!	The power unit does not work properly.	Refer to the instruction manual of the power unit.
Engine does not stop ↓ Run engine at idling, and set choke lever to CLOSE	Detached connector	Attach securely
	Abnormal electric system	Make request for inspection and maintenance.
The nylon cutting cord does not feed.	The cord is used up or tangled in the spool.	Rewind the cord.
	The nylon cutting cord is not cut off at the correct length.	The cord cutter on the protector is damaged or missing. The cord extends past the protector.

When the engine does not start after warm-up operation:

If there is no abnormality found for the check items, open the throttle by about 1/3 and start the engine.

Merci beaucoup d'avoir acheté cet appareil électrique pour l'extérieur de MAKITA. Nous sommes ravis de vous recommander ce produit MAKITA, résultat d'un long programme de développement et de nombreuses années d'expérience et de connaissances.

Veuillez lire ce livret qui explique en détails les nombreuses caractéristiques qui en font un outil d'une performance exceptionnelle. Il vous aidera à obtenir les meilleurs résultats possibles de votre produit MAKITA.



Table des matières	Page
Symboles.....	20
Consignes de sécurité.....	21
Données techniques.....	24
Nomenclature des pièces.....	25
Montage de la poignée.....	26
Montage du protecteur.....	26
Montage de la tête à fils de nylon.....	26
Avant de commencer.....	27
Avertissements concernant le fonctionnement et la procédure d'arrêt.....	29
La tête à fils de nylon.....	30
Instructions d'entretien.....	32
Entreposage.....	35

SYMBOLES

Le mode d'emploi contient les symboles suivants.

	Lisez le mode d'emploi et suivez les avertissements et les précautions de sécurité !		Portez un casque protecteur, des lunettes de protection et des protège-oreilles.
	Utilisez d'attention et de soins tout particuliers !		Vitesse d'outil maximale autorisée
	Interdit !		Carburant (Essence)
	Restez à distance !		Démarrage manuel du moteur
	Danger d'objets volants !		Arrêt d'urgence
	Ne fumez pas !		Premiers secours
	Pas de flammes nues !		SOUS TENSION/DÉMARRAGE
	Portez des gants de protection !		HORS TENSION/ARRÊT
	Portez des bottes de sécurité équipées de semelles antidérapantes. Les bottes de sécurité à doigts de pieds métalliques sont recommandées !		N'utilisez jamais de lames en métal
	Éloignez les personnes et les animaux du lieu de travail !		

CONSIGNES DE SÉCURITÉ

Instructions générales

- Lisez ce mode d'emploi pour vous familiariser avec l'utilisation de l'appareil. Sans ces informations, vous risquez de vous mettre en danger ou de blesser d'autres personnes à cause d'une utilisation incorrecte.
- Il est préférable de ne prêter l'appareil qu'à des personnes expérimentées. Prêtez-leur systématiquement le mode d'emploi.
- Veuillez d'abord solliciter des instructions de base auprès du vendeur, afin de vous familiariser avec le fonctionnement d'une débroussailleuse thermique.
- Les enfants et les adolescents de moins de 18 ans ne doivent pas utiliser cet appareil. Les personnes de plus de 16 ans peuvent l'utiliser à des fins de formation, mais sous la supervision d'un formateur agréé.
- Faites preuve d'une extrême vigilance et attention.
- Utilisez l'appareil uniquement si vous êtes en bonne condition physique. Effectuez tout le travail avec calme et prudence. Vous êtes responsable par rapport aux autres personnes.
- N'utilisez jamais cet appareil après avoir consommé de l'alcool ou de la drogue, ou bien si vous vous sentez fatigué ou malade.
- Les lois en vigueur peuvent restreindre l'utilisation de l'outil.

Utilisation prévue de l'outil

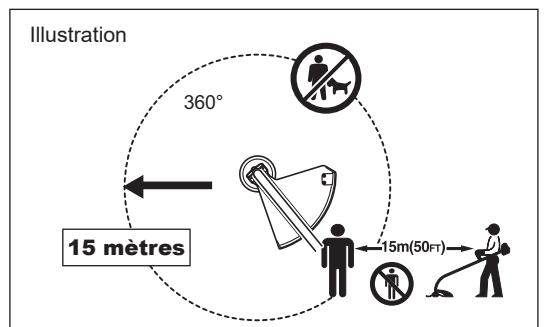
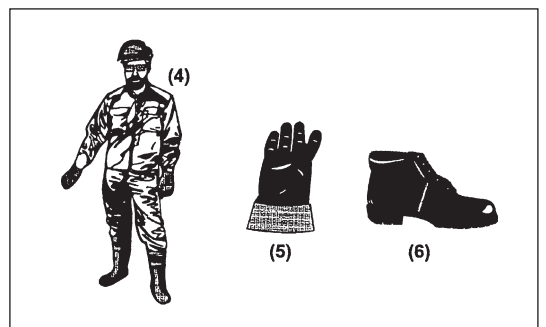
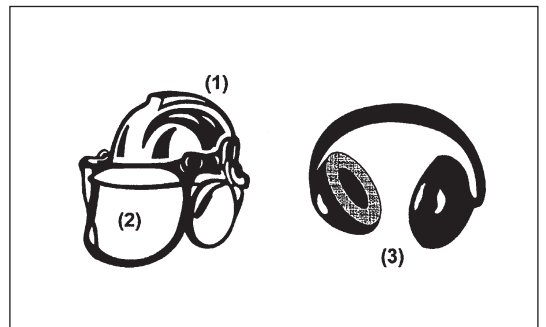
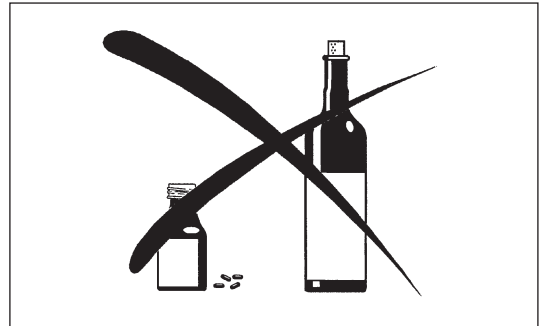
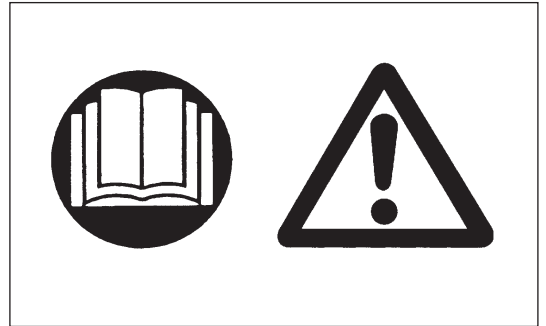
- Cet appareil est destiné uniquement à couper le gazon et les mauvaises herbes. Il ne doit pas être utilisé à d'autres fins, telles que la taille des bordures ou des haies, car cela comporte un risque de blessure.

Équipement de protection individuelle

- Les vêtements que vous portez doivent être fonctionnels et adaptés, c'est-à-dire qu'ils doivent être près du corps, sans pour autant gêner vos mouvements. Ne portez pas de bijoux ou de vêtements qui pourraient s'em mêler dans les taillis ou les petits arbustes.
- L'équipement de protection suivant ainsi que les vêtements de protection doivent être utilisés afin d'éviter des blessures au pied, à la main, aux yeux et à la tête ainsi que pour protéger votre ouïe durant l'utilisation.
- Portez toujours un casque en cas de risque de chute d'objets. Le casque de protection (1) doit être vérifié à intervalles réguliers pour parer à d'éventuels dommages et il doit être remplacé au plus tard tous les 5 ans. N'utilisez que des casques de protection agréés.
- La visière (2) du casque (ou alternativement les lunettes) protège le visage des débris et des pierres qui volent. Pendant l'utilisation, portez toujours des lunettes de protection ou une visière pour éviter toute blessure aux yeux.
- Portez un équipement de protection antibruit adéquat afin d'éviter toute perte auditive (coquilles antibruit (3), bouchons d'oreille etc.).
- Les vêtements de travail (4) protègent contre les débris et les pierres qui volent. Nous vous recommandons fortement de porter des vêtements de travail.
- Les gants (5) font partie de l'équipement prescrit et doivent toujours être portés pendant l'utilisation.
- Lorsque vous utilisez l'appareil, portez toujours des chaussures robustes (6) équipées de semelles anti-dérapantes. Elles vous protégeront des blessures éventuelles et vous assureront une bonne stabilité.

Démarrage de la débroussailleuse thermique

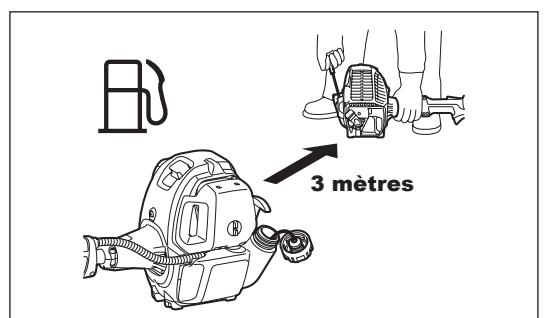
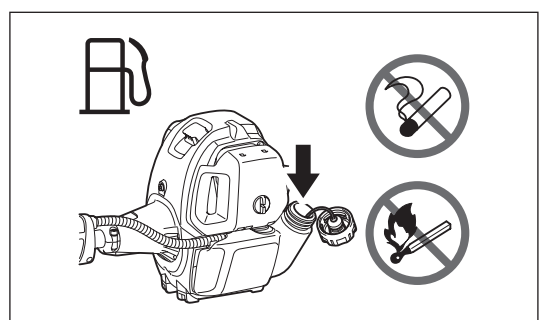
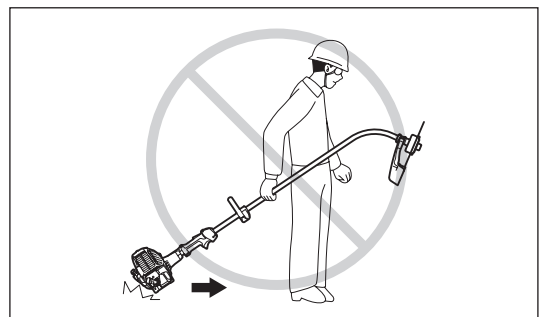
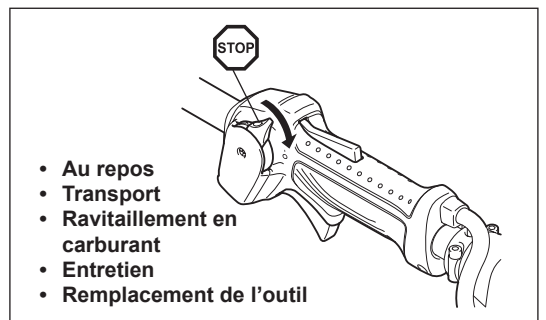
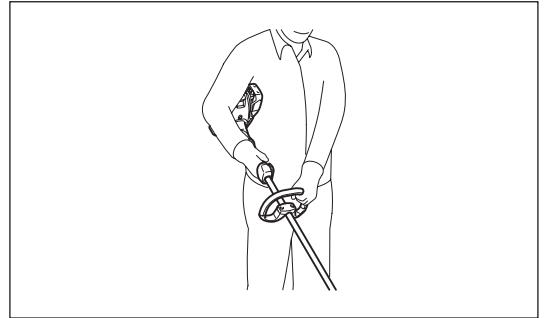
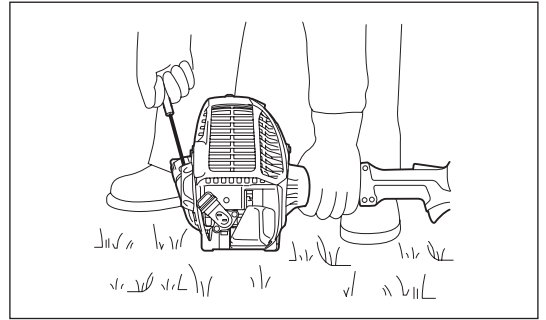
- Éloignez les personnes et les enfants du lieu de travail à une distance minimum de 15 mètres (50 pieds) et faites attention aux animaux qui pourraient se trouver à proximité.
- Avant l'utilisation, vérifiez toujours que l'appareil ne présente aucun danger : Vérifiez la sécurité de l'accessoire de coupe, la maniabilité du levier d'accélération ainsi que le bon fonctionnement du verrouillage du levier d'accélération.
- Il est interdit de faire tourner l'accessoire de coupe lorsque l'appareil fonctionne au ralenti. En cas de doute, vérifiez le réglage avec votre revendeur. Vérifiez que les poignées sont propres et sèches et que l'interrupteur marche/arrêt fonctionne correctement.



- Ne démarrez la débroussailleuse thermique qu'en conformité avec les instructions.
- Ne démarrez pas le moteur selon une autre méthode !
- Utilisez uniquement la débroussailleuse thermique et les outils pour les usages indiqués.
- Ne démarrez le moteur qu'après avoir procédé au montage complet de l'appareil. Le fonctionnement de l'outil n'est autorisé qu'une fois l'ensemble des accessoires fixés !
- Avant de démarrer, assurez-vous que l'accessoire de coupe n'entre pas en contact avec des objets durs, tels que des branches, des pierres, etc. et qu'elle tournera au démarrage.
- En cas de problème avec le moteur, éteignez-le immédiatement.
- Si l'accessoire de coupe frappe des pierres ou d'autres objets durs, éteignez de suite le moteur et examinez l'accessoire de coupe.
- Examinez l'accessoire de coupe à intervalles réguliers courts pour vous assurer qu'elle n'est pas endommagée (détection de fissures capillaires en utilisant le test de tapping).
- En cas de chute ou d'impact de l'appareil, vérifiez qu'il est en bon état avant de poursuivre le travail. Vérifiez qu'il n'y a pas de fuite de carburant dans le circuit d'alimentation, et que les commandes et dispositifs de sécurité fonctionnent correctement. En cas de dommage ou de doute, demandez à un centre d'entretien agréé d'examiner et de réparer l'outil.
- Durant l'utilisation, tenez toujours la débroussailleuse thermique avec les deux mains. Ne tenez jamais la débroussailleuse thermique d'une seule main durant l'utilisation.
Assurez-vous toujours d'avoir une bonne stabilité.
- Utilisez l'appareil de façon à éviter d'inhaler les gaz d'échappement. Ne faites jamais tourner le moteur dans une pièce confinée (risque d'intoxication aux gaz). Le monoxyde de carbone est un gaz inodore.
- Éteignez le moteur lorsque vous faites une pause ou laissez l'appareil sans surveillance, et placez-le dans un endroit sûr pour éviter de mettre en danger les autres personnes ou d'endommager l'outil.
- Ne placez jamais la débroussailleuse thermique chaude sur de l'herbe sèche ou des matériaux combustibles.
- Installez toujours l'accessoire de coupe approuvé sur l'appareil avant de démarrer le moteur. Sinon, un contact avec l'accessoire de coupe pourrait causer de graves blessures.
- Vous devez utiliser toutes les installations protectives et protections fournies avec l'outil durant l'utilisation.
- Ne faites jamais fonctionner le moteur si le pot d'échappement est endommagé.
- Éteignez le moteur durant le transport.
- Pour éviter toute fuite de carburant, assurez-vous que l'appareil est bien fixé lors des transports en voiture.
- Lors du transport, assurez-vous que le réservoir de carburant est complètement vide.
- Lorsque vous déchargez l'appareil du coffre, ne faites jamais tomber le moteur au sol, car cela risquerait d'endommager le réservoir de carburant.
- Sauf en cas d'urgence, ne laissez jamais tomber l'appareil et ne le jetez pas sur le sol, au risque de l'endommager grièvement.
- Veillez à soulever l'ensemble du matériel du sol lorsque vous le déplacez. Il est très dangereux de traîner le réservoir de carburant : cela risque de créer des fuites de carburant, voire un incendie.

Ravitaillement en carburant

- Lors du ravitaillement en carburant, coupez le moteur, éloignez-le des flammes nues et ne fumez pas.
- Évitez tout contact entre la peau et l'essence. N'inhaliez pas les vapeurs de carburant. Portez toujours des gants de protection durant le ravitaillement en carburant. Changez et nettoyez régulièrement les vêtements de protection.
- Veillez à ne pas renverser de carburant ou d'huile, afin d'éviter toute contamination du sol (protection environnementale). Nettoyez la débroussailleuse thermique immédiatement si vous renversez du carburant.
- Évitez tout contact entre vos vêtements et le carburant. Si vous renversez du carburant sur vos vêtements, changez-en immédiatement (pour éviter que vos vêtements ne prennent feu).
- Vérifiez régulièrement le bouchon du réservoir pour vous assurer qu'il est bien fermé et ne fuit pas.
- Serrez soigneusement le bouchon du réservoir de carburant. Déplacez-vous pour démarrer le moteur (éloignez-vous à au moins 3 mètres de l'endroit où vous avez fait le plein).
- Ne faites jamais le plein dans une pièce confinée. Les vapeurs de carburant s'accumulent au niveau du sol (risque d'explosions).
- Transportez et stockez le carburant uniquement dans des conteneurs agréés. Assurez-vous que les enfants ne peuvent pas accéder au carburant.



Mode d'emploi

- N'utilisez l'appareil que si les conditions d'éclairage et de luminosité sont satisfaisantes. En hiver, soyez attentif aux zones glissantes ou mouillées, au verglas et à la neige (risque de glissade). Assurez-vous toujours d'avoir une bonne stabilité.
- Ne coupez jamais à une hauteur supérieure aux épaules.
- Ne montez jamais sur une échelle.
- Ne montez jamais dans un arbre pour procéder à la coupe.
- Ne travaillez jamais sur des surfaces instables.
- Enlevez le sable, les pierres, les clous etc., trouvés à l'intérieur du périmètre de travail.
- Avant de commencer à couper, l'accessoire de coupe doit avoir atteint sa vitesse de fonctionnement maximale.
- Balancez la débroussailleuse thermique de manière régulière. Si de l'herbe ou des branches sont coincées entre l'accessoire de coupe et le carter, coupez toujours le moteur avant de procéder au nettoyage. Sinon la rotation imprévue de l'accessoire pourrait causer de graves blessures.
- Reposez-vous pour éviter toute perte de contrôle due à la fatigue. Il est recommandé de faire une pause de 10 à 20 minutes toutes les heures.



Accessoires de coupe

- N'utilisez jamais de lames en métal, dont les chaînes pivotantes en métal et les lames batteuses. Le contact de la lame pourrait causer de graves blessures.

Vibrations

- Les personnes souffrant de troubles circulatoires peuvent subir des blessures au niveau des vaisseaux sanguins ou du système nerveux si elles sont exposées à des vibrations excessives. Les vibrations peuvent entraîner les symptômes suivants aux doigts, mains ou poignets : engourdissement, picotements, douleur, sensation lancinante, altération de la couleur ou de l'aspect de la peau. Si l'un ou l'autre de ces symptômes apparaît, consultez un médecin !
- Afin de réduire le risque de syndrome des vibrations du système main-bras, gardez vos mains au chaud et maintenez correctement l'appareil et ses accessoires.



Instructions d'entretien

- L'entretien de votre appareil doit être effectué par l'un de nos centres d'entretien agréés et seules des pièces de rechange authentiques doivent être utilisées. Une réparation incorrecte et un entretien défectueux peuvent réduire la durée de vie de l'appareil et accroître le risque d'accidents.
- Avant d'utiliser l'appareil, vérifiez son état, et notamment l'accessoire de coupe et les dispositifs de protection.
- Éteignez le moteur et retirez le connecteur de bougies lorsque vous remplacez l'accessoire de coupe ou nettoyez le découpeur ou l'accessoire de coupe.
- Respectez l'environnement. Pour réduire la pollution et les émissions sonores, évitez tout fonctionnement inutile du papillon des gaz. Réglez correctement le carburateur.
- Nettoyez régulièrement l'appareil et vérifiez que l'ensemble des vis et des écrous est bien serré.
- Ne procédez jamais à l'entretien de l'appareil et ne le rangez pas à proximité de flammes nues.
- Rangez toujours l'appareil dans une pièce fermée, après avoir vidé le réservoir de carburant.



Respectez les instructions de prévention d'accident publiées par les associations commerciales et les compagnies d'assurance. N'effectuez aucune modification sur l'appareil, au risque de mettre votre sécurité en danger.

L'exécution de l'entretien ou des réparations par l'utilisateur est limitée aux activités décrites dans le mode d'emploi. Toute autre tâche doit être réalisée par un agent d'entretien agréé. N'utilisez que des pièces de rechange et des accessoires d'origine fournis par MAKITA. L'utilisation d'accessoires ou d'outils non agréés augmente les risques d'accident. MAKITA n'acceptera aucune responsabilité pour les accidents ou les dommages causés par l'utilisation d'accessoires de coupe ou de dispositifs de fixation pour accessoires de coupe non agréés ou bien d'autres accessoires.

Premiers secours

En cas d'accident, assurez-vous qu'une trousse de premiers secours se trouve à proximité des opérations de coupe. Remplacez immédiatement tout article pris dans la trousse de premiers secours.

Lorsque vous demandez de l'aide, veuillez fournir les renseignements suivants :

- Lieu de l'accident
- Ce qui s'est passé
- Nombre de personnes blessées
- Types de blessures
- Votre nom



DONNÉES TECHNIQUES ER2650LH

Modèle		ER2650LH		
Type de poignée		Poignée fermée		
Dimensions : longueur x largeur x hauteur (sans l'accessoire de coupe)	mm	1 621 x 310 x 479		
Diamètre de coupe	mm	412		
Poids (sans la protection plastique et l'accessoire de coupe)	kg	4,8		
Volume (réservoir de carburant)	L	0,6		
Volume (réservoir d'huile)	L	0,08		
Déplacement du moteur	cm ³	25,4		
Performances maximales du moteur	kw	0,77 à 7 000 min ⁻¹		
Vitesse du moteur à la vitesse max. recommandée de l'axe	min ⁻¹	10 000		
Fréquence de rotation maximale de l'axe	min ⁻¹	7 900		
Ralenti	min ⁻¹	3 000		
Vitesse d'engagement de l'embrayage	min ⁻¹	3 900		
Carburateur	Type de diaphragme			
Système d'allumage	De type aimant sans contact			
Bougie d'allumage	type	NGK CMR4A		
Distance entre les électrodes	mm	0,7 - 0,8		
Vibrations selon la norme ISO 22867	Poignée droite (Prise arrière)	$a_{hv\ eq}$	m/s ²	8,2
		Incertitude K	m/s ²	0,9
	Poignée gauche (Prise avant)	$a_{hv\ eq}$	m/s ²	5,0
		Incertitude K	m/s ²	1,7
Moyenne du niveau de pression acoustique selon la norme ISO 22868	$L_{PA\ eq}$	dBA	97,5	
	Incertitude K	dBA	1,8	
Moyenne du niveau de puissance acoustique selon la norme ISO 22868	$L_{WA\ eq}$	dBA	107,3	
	Incertitude K	dBA	2,5	
Carburant	Essence automobile			
Huile du moteur	Huile de classe API, classe SF ou supérieure ou huile SAE 10W-30 (huile moteur 4 temps pour automobile)			

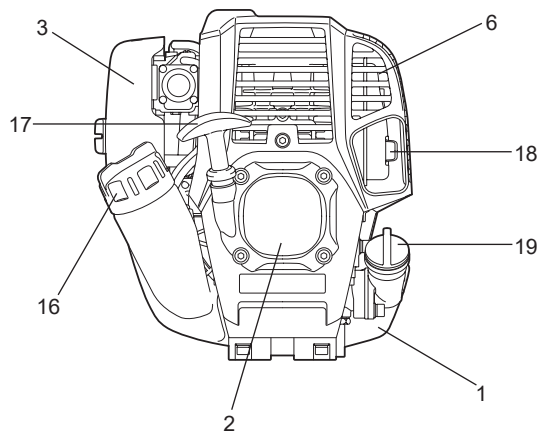
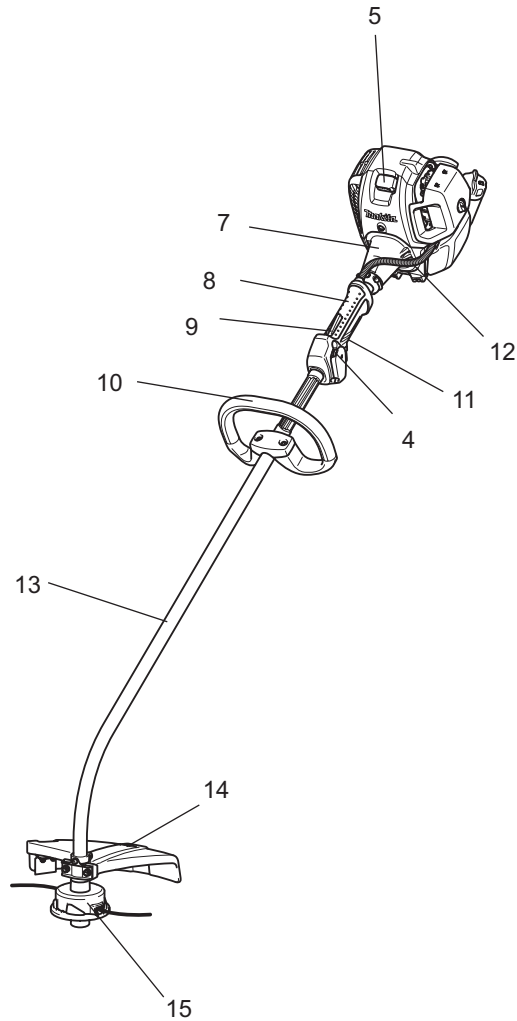
Pour les pays d'Europe uniquement

Déclaration de conformité CE

La Déclaration de conformité CE figure en Annexe A du présent mode d'emploi.

NOMENCLATURE DES PIÈCES

ER2650LH



F	NOMENCLATURE DES PIÈCES
1	Réservoir de carburant
2	Démarrreur à rappel
3	Filtre à air
4	Interrupteur I-O (marche/arrêt)
5	Bougie d'allumage
6	Pot d'échappement
7	Carter d'embrayage
8	Prise arrière
9	Levier de verrouillage
10	Poignée
11	Levier d'accélération
12	Câble de contrôle
13	Arbre
14	Protecteur (carter de l'accessoire de coupe)
15	Tête à fils de nylon
16	Bouchon de réservoir de carburant
17	Bouton de démarrage
18	Tuyau d'échappement
19	Bouchon d'huile

MONTAGE DE LA POIGNÉE

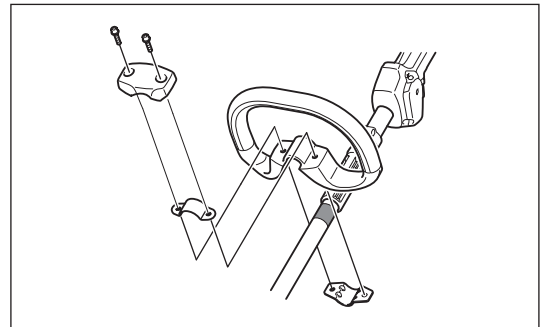
ATTENTION : Avant d'intervenir d'une quelconque manière sur l'appareil, éteignez toujours le moteur et débranchez le connecteur des bougies.
Portez toujours des gants de protection !

ATTENTION : Ne démarrez le moteur qu'après l'avoir complètement monté.

Pour les modèles d'outils avec poignée fermée

- Fixez la poignée fermée sur l'arbre, comme illustré.
- Assurez-vous que l'espaceur du tuyau de l'arbre est situé entre l'ensemble de la prise et l'autre prise. Ne retirez pas ou ne réduisez pas l'espaceur.

REMARQUE : Dans certains pays, l'espaceur n'est pas fourni avec l'outil.
Dans ce cas, alignez la poignée le plus à droite possible de la ligne indiquée par les flèches.



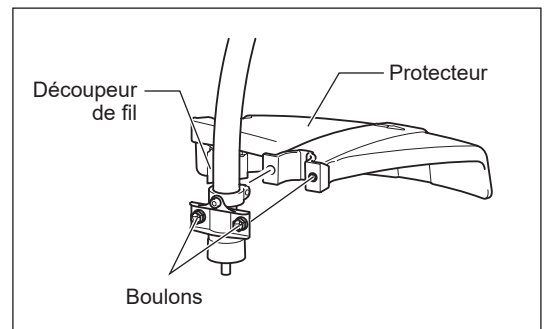
MONTAGE DU PROTECTEUR

Pour satisfaire aux règles de sécurité en vigueur, utilisez uniquement l'outil/le protecteur comme indiqué dans le tableau.

ATTENTION : Ne touchez pas le découpeur de fil situé sur le protecteur. Si vous le touchez à mains nues, vous risquez de vous blesser.

Le protecteur doit absolument être installé. Il permet au fil de coupe en nylon de conserver sa longueur, et il vous protège des jets de pierres et de débris. Pour installer le protecteur, procédez comme indiqué ci-dessous.

1. Mettez le protecteur en place de manière à ce que la nervure de l'arbre s'insère dans le creux du protecteur.
2. Serrez les deux boulons.



MONTAGE DE LA TÊTE À FILS DE NYLON

AVERTISSEMENT : N'utilisez jamais de lames de coupe.

Assurez-vous d'utiliser une tête à fils de nylon MAKITA.

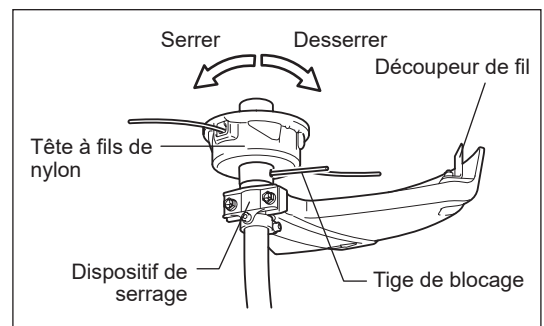
- Si la tête à fil de nylon heurte une pierre durant l'utilisation, arrêtez le moteur et vérifiez la tête à fil de nylon immédiatement.

ATTENTION : Ne touchez pas le découpeur de fil situé sur le protecteur. Si vous le touchez à mains nues, vous risquez de vous blesser.

Pour monter une tête à fils de nylon, procédez comme suit.

1. Introduisez la tige de blocage dans le trou du dispositif de serrage. Faites-les tourner tout en enfonçant la tige de blocage, jusqu'à ce que l'ensemble soit bloqué.
2. Vissez une tête à fils de nylon sur l'arbre en la tournant dans le sens horaire. Assurez-vous qu'elle est correctement vissée.
3. Retirez la tige de blocage.

Pour ôter la tête à fils de nylon, dévissez-la en la tournant dans le sens antihoraire.



AVANT DE COMMENCER

Inspection et remplissage de l'huile moteur

- Lorsque le moteur est froid, procédez comme suit.
- Réglez le niveau du moteur, retirez le bouchon d'huile (Fig. 1) et vérifiez l'absence d'huile dans la plage comprise entre les repères des limites supérieure et inférieure du tuyau d'huile (Fig. 2).
- Si la quantité d'huile est insuffisante (le niveau d'huile est proche du repère de limite inférieure) (Fig. 3), remplissez d'huile jusqu'au repère de limite supérieure.
- La zone proche des repères externes est transparente, dont la quantité d'huile à l'intérieur peut être vérifiée sans qu'il soit nécessaire de retirer le bouchon d'huile. Toutefois, si le tuyau d'huile devient extrêmement encrassé, vous risquez d'avoir une mauvaise visibilité et de devoir vérifier le niveau d'huile par rapport à la section décrochée sur l'intérieur du tuyau d'huile.
- À titre d'information, il convient de remplir le réservoir d'huile toutes les 10 heures d'utilisation environ (10 utilisations ou 10 réservoirs d'essence avant qu'il soit nécessaire de remettre de l'huile).
Si l'huile change de couleur ou contient de la saleté, remplacez-la. (Pour la fréquence et la méthode de vidange, référez-vous à la page 32)

Huile recommandée : Huile SAE 10W-30 de classe API, Classe SF ou supérieure (moteur 4 temps pour automobile)

Volume d'huile : environ 0,08 L

REMARQUE : Si le moteur n'est pas maintenu à la verticale, l'huile risque de se déverser sur les autres pièces du moteur. La jauge de niveau d'huile pourrait alors indiquer une lecture incorrecte du niveau d'huile.
Ne versez pas d'huile dans le réservoir si le moteur n'est pas à la verticale. Si le niveau d'huile est rempli au-delà de la limite, l'huile pourrait être contaminée ou risquerait de s'enflammer en produisant de la fumée blanche.

Point n°1 du remplacement de l'huile : « bouchon d'huile »

- Retirez la poussière ou les saletés entourant l'orifice du réservoir d'huile, puis retirez le bouchon d'huile.
- Veillez à ce que le bouchon d'huile n'entre pas en contact avec du sable ou de la poussière. Dans le cas contraire, les impuretés adhérant au bouchon d'huile pourraient empêcher la bonne circulation de l'huile ou abîmer des pièces du moteur, provoquant des problèmes.

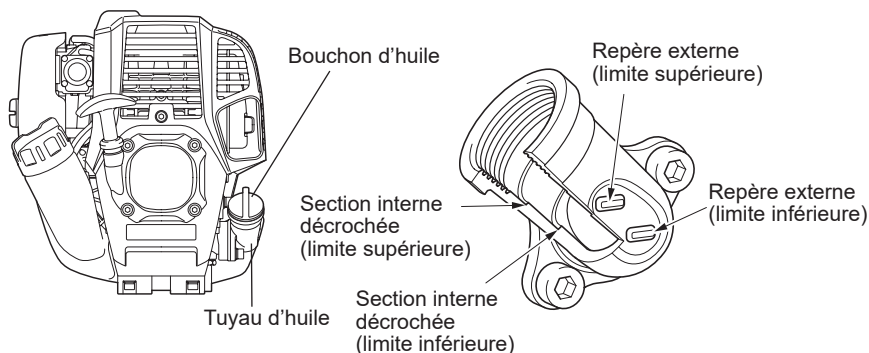


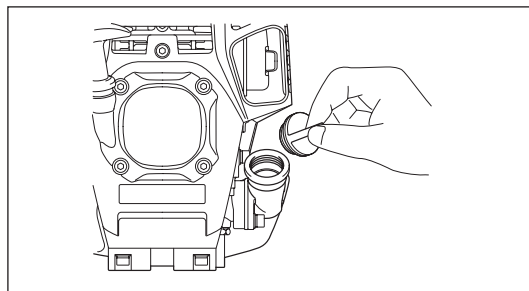
Fig. 1

Fig. 2 Tuyau d'huile

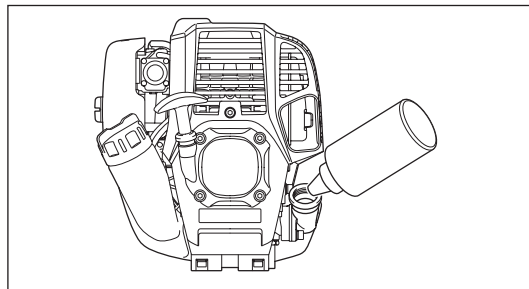
Fig. 3

Remplissez d'huile jusqu'à ce que le niveau d'huile atteigne la section décrochée (limite supérieure).
La zone située entre les limites externes supérieure et inférieure est transparente, donc le niveau d'huile peut être vérifié à l'extérieur par rapport à ces repères.

(1) Gardez le moteur à plat et enlevez le bouchon d'huile.



(2) Remplissez d'huile jusqu'au repère de limite supérieure. (voir Fig. 3)
Utilisez une bouteille d'huile lors du remplissage.



(3) Vissez fermement le bouchon d'huile. Un vissage insuffisant pourrait provoquer une fuite d'huile.

Remarque

- Ne remplacez pas l'huile lorsque le moteur est en position inclinée.
- Le remplissage d'huile avec le moteur incliné risque de provoquer un remplissage trop important, entraînant la contamination de l'huile et/ou de la fumée blanche.

Point n°2 du remplacement de l'huile : « En cas de débordement d'huile »

- Si de l'huile se répand entre le réservoir de carburant et le bloc principal du moteur, elle risque d'être aspirée dans le port d'entrée de l'air de refroidissement, contaminant le moteur. Veillez à nettoyer l'huile qui a débordé avant toute utilisation.

RAVITAILLEMENT EN CARBURANT

Manipulation du carburant

Veillez à manipuler le carburant avec la plus grande prudence. Il peut contenir des substances similaires aux solvants. Pour faire le plein, placez-vous dans une pièce suffisamment ventilée ou à l'extérieur. N'inhalez jamais les vapeurs de carburant et restez à distance du carburant. En cas de contact répété ou prolongé de votre peau avec du carburant, elle peut se dessécher et causer des maladies de peau ou des allergies. En cas de contact du carburant avec un œil, rincez celui-ci à l'eau claire. Si votre œil reste irrité, consultez votre médecin.

Durée de stockage du carburant

Le carburant doit être utilisé dans les 4 semaines, même s'il est conservé dans un bidon spécial dans un endroit ombragé et bien ventilé. Dans le cas contraire, le carburant risque de se détériorer en une journée.

STOCKAGE DE LA MACHINE ET REMPLISSAGE DU RÉSERVOIR

- Conservez la machine et le réservoir dans un endroit frais et abrité des rayons directs du soleil.
- Ne conservez jamais de carburant dans un véhicule.

Carburant

Le moteur est un moteur à quatre temps. Veillez à utiliser de l'essence automobile sans plomb à indice d'octane 87 ou supérieur ((R+M)/2). Elle peut contenir 10 % d'alcool au maximum (E-10).

Avertissements concernant le carburant

- N'utilisez jamais de mélange de carburant contenant de l'huile moteur. Cela pourrait créer une accumulation excessive de carbone ou des pannes mécaniques.
- L'utilisation d'huile détériorée peut provoquer des démarrages irréguliers du moteur.

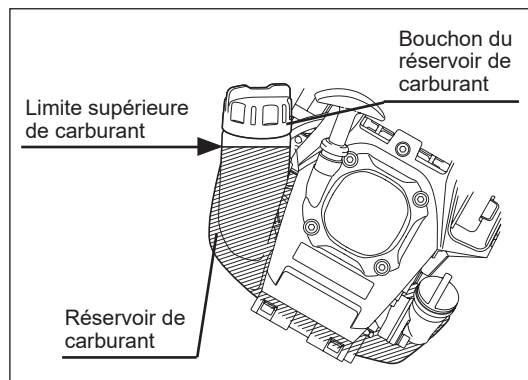
Ravitaillement en carburant

⚠ AVERTISSEMENT : Avant de remplir le réservoir de carburant, coupez le moteur, éloignez-le des flammes nues et ne fumez pas.

Essence utilisée : essence automobile sans plomb, à indice d'octane 87 ou plus élevé. 10 % d'alcool au maximum (E-10).

- Desserrer légèrement le bouchon du réservoir pour libérer la pression de celui-ci.
- Retirez le bouchon du réservoir et remplissez le réservoir de carburant en l'inclinant de manière à en chasser l'air, l'orifice dirigé vers le haut. NE remplissez PAS le réservoir de carburant jusqu'au bord.
- Essuyez bien l'extérieur du bouchon du réservoir pour éviter l'introduction de débris dans le réservoir de carburant.
- Après avoir fait le plein, serrez à fond le bouchon du réservoir.

- En cas de défaut ou de dommages au niveau du bouchon du réservoir, remplacez-le.
- Au fil du temps, le bouchon du réservoir s'use. Remplacez-le tous les deux à trois ans.
- NE versez PAS de carburant dans l'orifice de remplissage d'huile.



AVERTISSEMENTS CONCERNANT LE FONCTIONNEMENT ET LA PROCÉDURE D'ARRÊT

Respectez les réglementations en vigueur en matière de prévention des accidents !

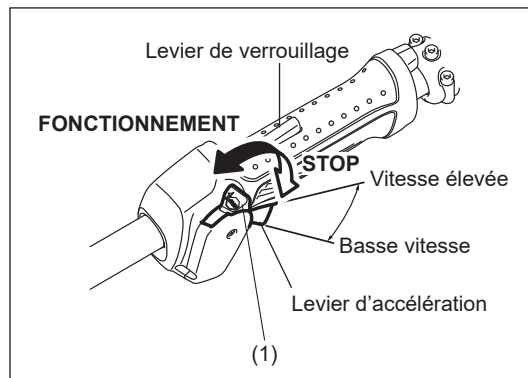


DÉMARRAGE

Déplacez-vous d'au moins 3 mètres de l'endroit où vous avez procédé au ravitaillement en carburant. Placez l'appareil au sol en veillant à ce que l'accessoire de coupe n'entre pas en contact avec le sol ou tout autre objet.

A : Démarrage à froid

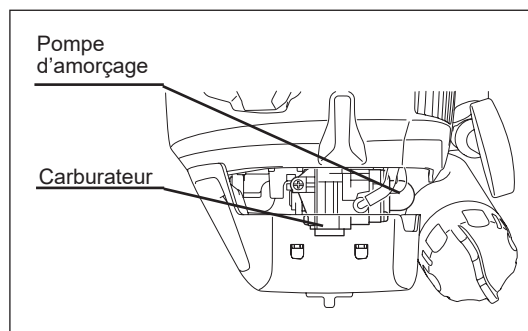
- 1) Déposez la machine sur une surface plane.
- 2) Réglez l'interrupteur I-O (1) sur FONCTIONNEMENT.



- 3) Pompe d'amorçage

Continuez à appuyer sur la pompe d'amorçage jusqu'à ce que le carburant pénètre à l'intérieur de celle-ci. (En général, le carburant pénètre dans la pompe d'amorçage après 7 à 10 pressions.)

Si vous appuyez trop sur la pompe d'amorçage, un surplus de carburant retourne au réservoir de carburant.



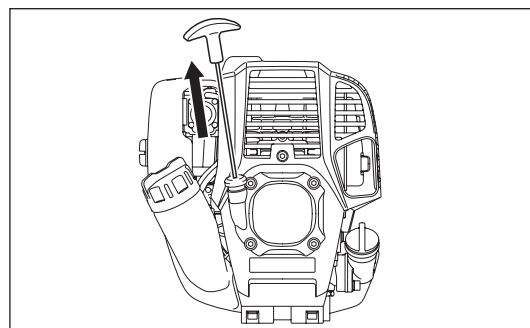
- 4) Démarreur

Tirez doucement le bouton du démarreur, jusqu'à ce qu'il résiste (point de compression). Ensuite, repoussez le bouton du démarreur, puis tirez-le fortement.

Ne tirez jamais entièrement la corde. Une fois le bouton du démarreur tiré, n'enlevez jamais votre main immédiatement. Tenez le bouton jusqu'à ce qu'il retourne à sa position initiale.

- 5) Opération de chauffage

Continuez à faire chauffer le moteur pendant 2 à 3 minutes.



REMARQUE : Si une entrée de carburant excessive (noyage) se produit, enlevez la bougie et tirez la poignée de démarrage lentement pour retirer l'excès de carburant. Séchez également l'électrode de la bougie.

B : Démarrage après avoir fait chauffer le moteur

- 1) Appuyez plusieurs fois sur la pompe d'amorçage.
- 2) Laissez le levier d'accélération en position de ralenti.
- 3) Tirez avec force sur le démarreur.
- 4) Si le moteur est difficile à démarrer, ouvrez les gaz d'environ 1/3.

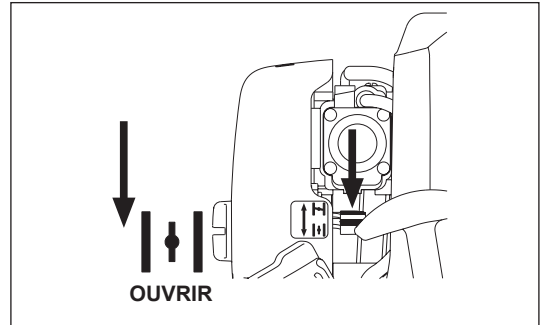
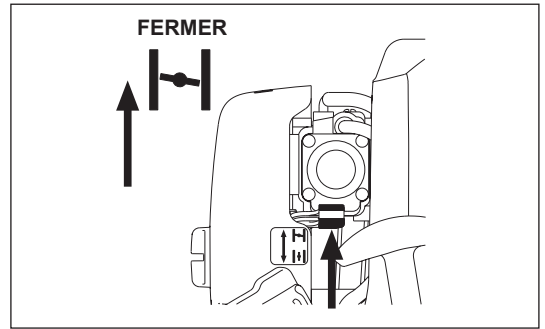
Parfois, notamment en hiver, lorsque le démarrage du moteur est difficile

Actionnez le levier de l'étrangleur en procédant comme suit lors du démarrage du moteur.

- Après avoir exécuté les étapes de démarrage 1) à 3), placez le levier de l'étrangleur en position FERMER.
- Exécutez l'étape 4) et démarrez le moteur.
- Lorsque le moteur démarre, réglez le levier d'étrangleur en position OUVRIR.
- Exécutez l'étape de démarrage 5) et continuez à chauffer le moteur.

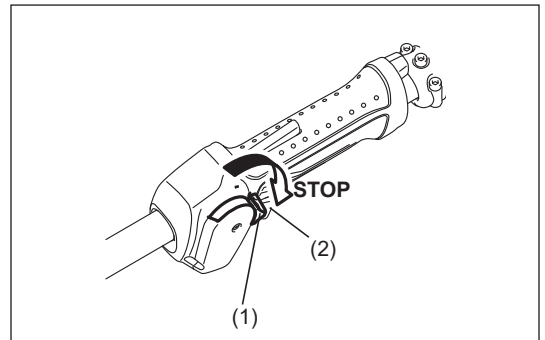
⚠ ATTENTION : Si vous entendez un bruit d'explosion et si le moteur s'arrête, ou si le moteur que vous venez de démarrer cale avant que vous utilisiez le levier d'étrangleur, remplacez le levier d'étrangleur en position OUVRIR, puis tirez plusieurs fois sur le bouton du démarreur pour démarrer le moteur.

⚠ ATTENTION : Si le levier d'étrangleur est maintenu en position FERMER et si le bouton du démarreur est enfoncé plusieurs fois, une quantité trop importante de carburant sera aspirée et le démarrage du moteur deviendra difficile.



ARRÊT

- 1) Relâchez entièrement le levier d'accélération (2) et lorsque la vitesse de rotation du moteur a diminué, placez l'interrupteur I-O en position STOP pour couper le moteur.
- 2) Attention, il est possible que la tête à fils de nylon ne s'arrête pas immédiatement, laissez-la ralentir jusqu'à ce qu'elle s'arrête.

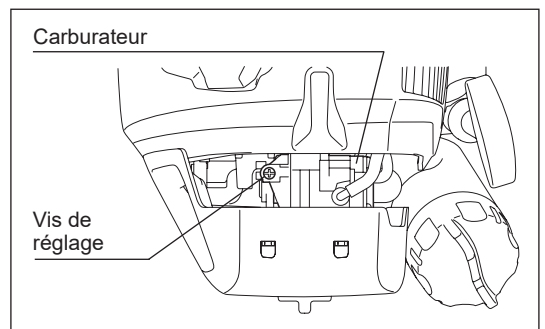


RÉGLAGE DE LA ROTATION À BAS RÉGIME (RALENTI)

Lorsque cela est nécessaire, réglez le ralenti en utilisant la vis de réglage du carburateur.

VÉRIFICATION DE LA ROTATION À BAS RÉGIME (RALENTI)

- Réglez le ralenti sur 3 000 min⁻¹.
S'il s'avère nécessaire de changer la vitesse de rotation (ralenti), placez un tournevis cruciforme sur la vis, comme illustré à droite.
- Pour augmenter la vitesse de rotation du moteur, tournez la vis vers la droite. Pour la diminuer, tournez la vis vers la gauche.
- Le carburateur est généralement réglé juste avant l'expédition. Après avoir rempli plusieurs fois le réservoir d'essence, il peut s'avérer nécessaire de régler le régime du moteur au ralenti.



LA TÊTE À FILS DE NYLON

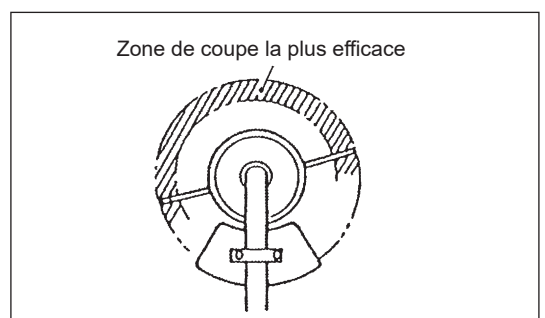
Servez-vous des extrémités des fils de coupe en nylon pour réaliser la coupe.

Allongement des fils de coupe en nylon

Au fur et à mesure de l'utilisation, les fils de coupe en nylon s'usent et se raccourcissent, c'est pourquoi il faut les rallonger périodiquement.

Pour ce faire, tapez la tête à fils de nylon sur le sol pendant qu'elle tourne à 6 000 min⁻¹ environ.

REMARQUE : Si le fil en nylon ne sort pas, réenroulez-le.



Remplacement du fil en nylon

⚠ AVERTISSEMENT : Assurez-vous que le couvercle de la tête à fils de nylon est correctement fixée au boîtier, comme décrit ci-dessous. Si le couvercle n'est pas correctement fixé, la tête à fils de nylon risque de se détacher et provoquer des blessures graves.

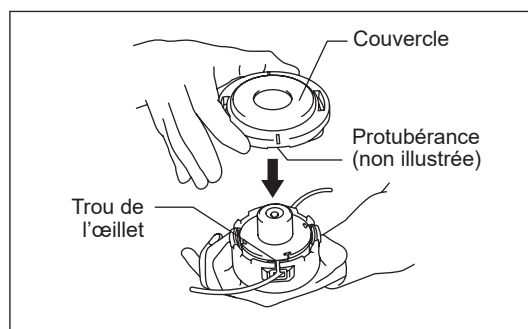
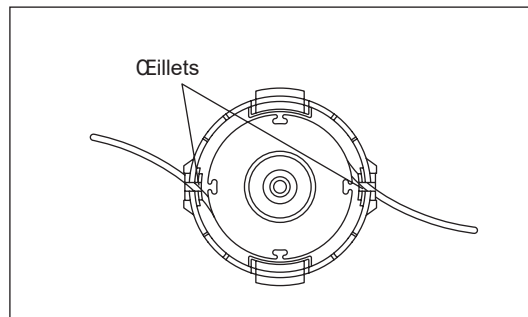
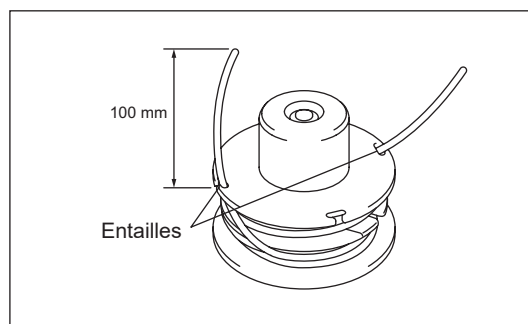
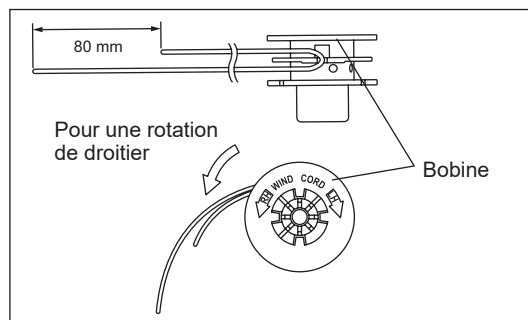
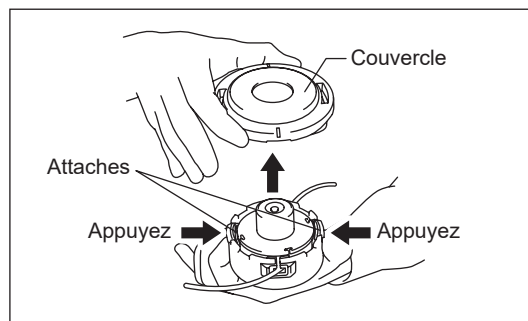
Enfoncez les attaches du boîtier et soulevez-le pour le retirer. Débarrassez-vous du fil de nylon restant.

Insérez le milieu du nouveau fil de nylon dans l'entaille située au centre de la bobine entre les 2 canaux destinés au fil de nylon. L'un des côtés du fil doit être plus long que l'autre d'environ 80 mm. Enroulez bien les deux extrémités sur la bobine dans le sens indiqué sur la tête pour le sens de droitier indiqué par RH.

Embobinez tout le fil sauf environ 100 mm, en laissant les extrémités temporairement accrochées à travers l'entaille sur le côté de la bobine.

Montez la bobine dans le bloc afin que ses rainures et protubérances soient alignées avec celles du bloc. Ensuite, décrochez les extrémités du fil de son emplacement temporaire et glissez les fils à travers les œillets pour qu'ils sortent du bloc.

Alignez la protubérance sur le dessous du couvercle avec les trous des œillets. Poussez ensuite fermement le couvercle pour qu'il s'enclenche dans le bloc. Assurez-vous que les attaches se déploient bien sur le couvercle.



INSTRUCTIONS D'ENTRETIEN

- ⚠ ATTENTION :** Avant tout travail sur l'appareil, arrêtez toujours le moteur et débranchez le connecteur des bougies (voir « Vérification de la bougie »).
Portez toujours des gants de protection !

Afin d'assurer une longue durée de vie et éviter d'endommager le matériel, effectuez régulièrement les opérations d'entretien suivantes.

Vérification et entretien journaliers

- Avant utilisation, vérifiez qu'il ne manque aucune pièce et que les vis sont bien serrées. Veillez particulièrement à bien serrer les vis de la tête à fils de nylon.
- Avant l'utilisation, vérifiez que les fentes de refroidissement à air et des cylindres ne sont pas bouchées. Au besoin, nettoyez-les.
- Effectuez les opérations suivantes après chaque utilisation :
 - Nettoyez l'extérieur de l'appareil et vérifiez qu'il n'est pas endommagé.
 - Nettoyez le filtre à air. Nettoyez le filtre à air plusieurs fois par jour lorsque vous travaillez dans des conditions très poussiéreuses.
 - Vérifiez si la tête à fils de nylon a été endommagée et assurez-vous qu'elle est bien montée.
 - Vérifiez si la différence entre les vitesses de fonctionnement et du ralenti est suffisante pour garantir l'arrêt de l'accessoire de coupe lorsque le moteur est au ralenti (au besoin, réduisez la vitesse du ralenti).
Si l'outil continue à fonctionner lorsque la machine est au ralenti, consultez l'agent d'entretien agréé le plus proche.
- Vérifiez que l'interrupteur I-O, le levier de verrouillage, le levier d'accélération et le bouton de verrouillage fonctionnent correctement.

REPLACEMENT DE L'HUILE DE MOTEUR

De l'huile de moteur altérée réduit la durée de vie du moteur. N'oubliez pas de vérifier régulièrement l'huile et son niveau.



ATTENTION : En général, le bloc principal du moteur et l'huile moteur restent brûlants juste après l'arrêt du moteur. Pour la vidange de l'huile, assurez-vous que le bloc principal du moteur et l'huile de moteur ont suffisamment refroidi. Sinon, vous risquez de vous brûler.

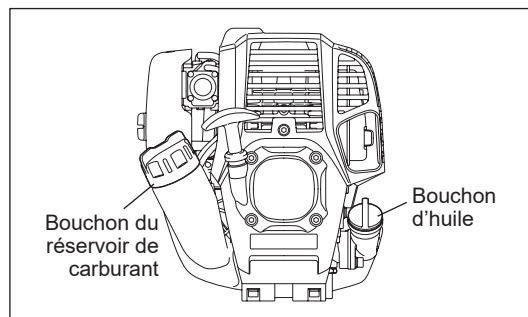
REMARQUE : Si le niveau d'huile dépasse la limite, l'huile risque d'être contaminée ou de s'enflammer en produisant de la fumée blanche.

Intervalle de remplacement : Après 20 heures de fonctionnement, puis toutes les 50 heures de fonctionnement.

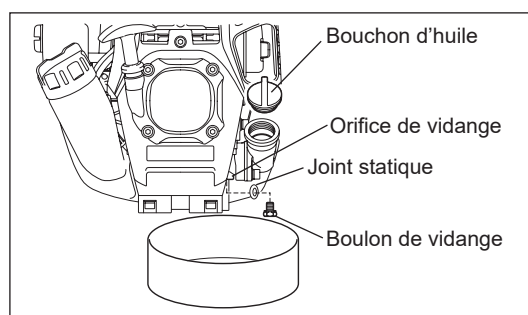
Huile recommandée : Huile SAE 10W-30 de classe API, Classe SF ou supérieure (moteur 4 temps pour automobile)

Vous pouvez également procéder comme suit.

- 1) Assurez-vous que le bouchon du réservoir de carburant est bien serré.
- 2) Placez un grand récipient (poêle, etc.) sous l'orifice de vidange.



- 3) Retirez le boulon de vidange, puis le bouchon d'huile pour purger l'huile de l'orifice de vidange.
À ce stade, veillez à ne pas perdre le joint statique du boulon de vidange et à ne pas salir les composants que vous avez déposés.

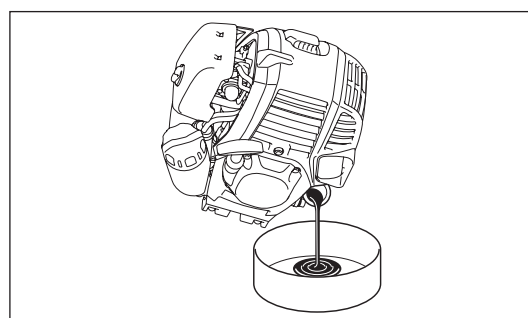


- 4) Une fois l'huile entièrement vidangée, installez le joint et le boulon de vidange, puis serrez fermement le boulon de vidange afin qu'il ne se desserre pas et ne provoque pas de fuite.

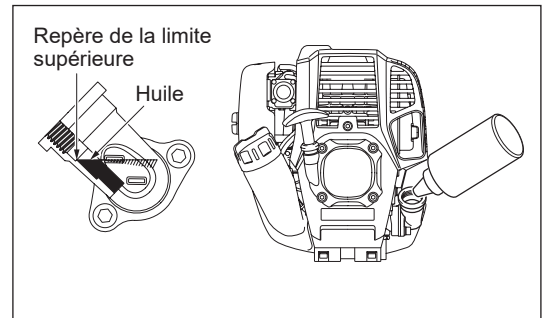
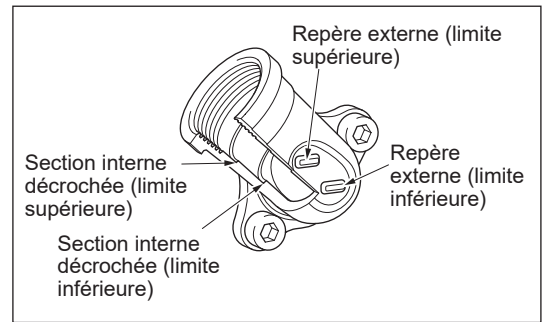
* Utilisez un chiffon pour essuyer l'huile qui s'est déversée sur le boulon et le matériel.

Autre méthode de vidange

Retirez le bouchon d'huile, inclinez l'appareil vers l'orifice de remplissage d'huile et purgez l'huile.
Recueillez l'huile dans un récipient.



- 5) Réglez le niveau du moteur et remplissez progressivement le réservoir avec de l'huile neuve jusqu'au repère de la limite supérieure.
- 6) Après avoir procédé au remplissage, serrez fermement le bouchon d'huile, de sorte qu'il ne se desserre pas et ne provoque pas de fuite. Si vous ne serrez pas fermement le bouchon d'huile, il risque de fuir.



AVERTISSEMENTS CONCERNANT L'HUILE

- Ne jetez jamais d'huile moteur à la poubelle, sur la terre ou dans les égouts. Débarrassez-vous de l'huile en suivant la législation. Respectez toujours la loi en vigueur. Pour tout éclaircissement, contactez un agent d'entretien agréé.
- L'huile se détériore, même lorsqu'elle n'est pas utilisée. Effectuez régulièrement des inspections et des remplacements (vidangez l'huile tous les 6 mois).

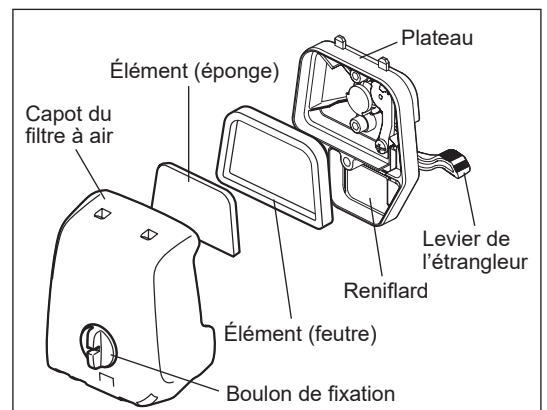
NETTOYAGE DU FILTRE À AIR



AVERTISSEMENT : Coupez le moteur, éloignez-le des flammes nues et ne fumez pas.

Intervalle de nettoyage et d'inspection : tous les jours (toutes les 10 heures d'utilisation)

- Tournez le levier d'étrangleur vers le côté complètement fermé et éloignez le carburateur de toute poussière ou saleté.
- Dévissez le boulon de fixation.
- Retirez le capot du filtre à air en tirant sur la partie inférieure de celui-ci.
- Retirez les éléments et tapez dessus pour en retirer la saleté.
- Si les éléments sont fortement contaminés : Retirez les éléments, plongez-les dans de l'eau chaude ou dans un détergent neutre dilué à l'eau et faites-les entièrement sécher. Lorsque vous les lavez, ne les serrez pas et ne les frottez pas.
- Avant de remettre les éléments en place, assurez-vous qu'ils sont complètement secs. Un séchage insuffisant des éléments pourrait provoquer un démarrage difficile.
- Essuyez l'huile présente autour du capot du filtre à air et sur le reniflard à l'aide d'un chiffon.
- Placez l'élément (éponge) dans l'élément (feutre).
- Installez les éléments dans le plateau, de sorte que l'éponge soit orientée vers le capot du filtre à air.
- Fixez immédiatement le capot du filtre à air et serrez-le avec des boulons de fixation. (Pour le remettre en place, commencez par le haut, puis le bas.)



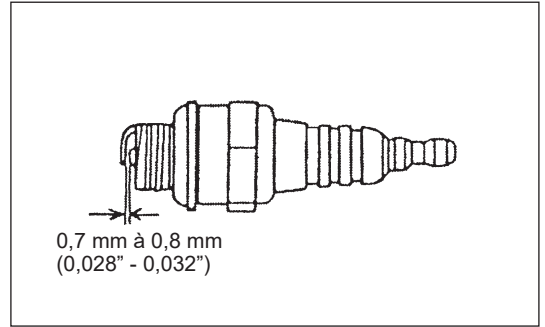
REMARQUE :

- Nettoyez les éléments plusieurs fois par jour si une poussière trop importante y adhère. Des éléments sales réduisent la puissance du moteur et rendent le démarrage du moteur difficile.
- Retirez l'huile présente sur les éléments. Si vous continuez d'utiliser l'appareil alors que les éléments qu'il contient sont recouverts d'huile, l'huile présente dans le filtre à air risquera de se déverser hors de l'appareil et de contaminer l'environnement.
- Ne placez pas les éléments sur le sol ou dans un lieu sale. Ils risqueraient d'être souillés par de la saleté ou des débris et d'endommager le moteur.
- N'utilisez jamais de carburant pour nettoyer les éléments. Le carburant pourrait les endommager.

VÉRIFICATION DE LA BOUGIE

- N'utilisez que la clé universelle fournie pour retirer ou installer la bougie.
- L'écartement entre les deux électrodes de la bougie doit être compris entre 0,7 et 0,8 mm (0,028" à 0,032"). Réglez l'écartement s'il est trop large ou trop étroit. Si la bougie est bouchée ou contaminée, nettoyez-la complètement ou remplacez-la.

⚠ ATTENTION : Ne touchez jamais le connecteur de la bougie lorsque le moteur est en marche (danger de choc électrique haute tension).



NETTOYAGE DU FILTRE À CARBURANT

⚠ AVERTISSEMENT : PRODUITS INFLAMMABLES STRICTEMENT INTERDITS

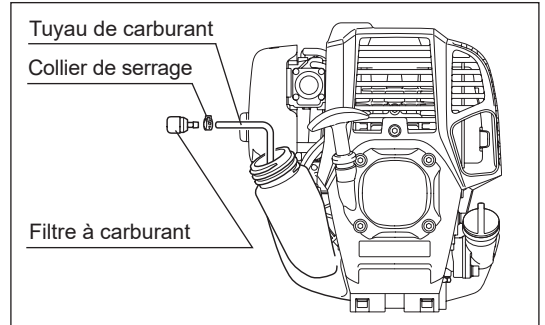
Intervalle de nettoyage et d'inspection : tous les mois (toutes les 50 heures d'utilisation)

Crépine d'aspiration dans le réservoir de carburant

Examinez régulièrement le filtre à carburant. Pour ce faire, procédez comme suit.

- (1) Retirez le bouchon du réservoir de carburant, purgez le carburant pour vider le réservoir. Examinez l'intérieur du réservoir à la recherche de corps étrangers. Le cas échéant, retirez-les.
- (2) Retirez la crépine d'aspiration à l'aide d'un crochet à fil que vous passez à travers l'orifice du réservoir.
- (3) Si le filtre à carburant est légèrement bouché, nettoyez-le. Pour ce faire, secouez-le et tapez-le doucement au niveau du carburant. Pour éviter tout dommage, ne le serrez pas et ne le frottez pas. Le carburant utilisé pour le nettoyage doit être éliminé conformément à la réglementation en vigueur dans votre pays.
Si le filtre à carburant a durci ou est fortement bouché, remplacez-le.
- (4) Après avoir examiné, nettoyé ou remplacé le filtre à carburant, enfoncez-le complètement dans la partie inférieure du réservoir de carburant.

Un filtre à carburant bouché ou endommagé peut entraîner une alimentation insuffisante en carburant et réduire la puissance du moteur. Remplacez le filtre à carburant au moins tous les trimestres pour assurer une alimentation satisfaisante en carburant dans le carburateur.



REMPACEMENT DU TUYAU DE CARBURANT

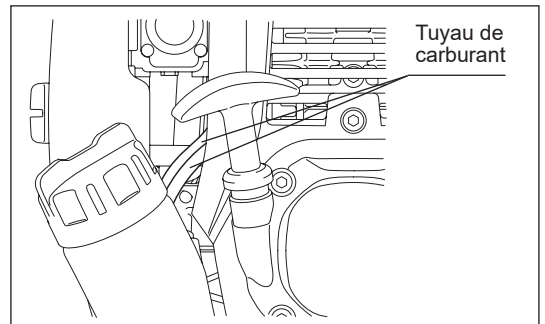
⚠ ATTENTION : PRODUITS INFLAMMABLES STRICTEMENT INTERDITS

Intervalle de nettoyage et d'inspection : tous les jours (toutes les 10 heures d'utilisation)

Remplacement : tous les ans (toutes les 200 heures d'utilisation)

Remplacez le tuyau de carburant tous les ans, quelle que soit la fréquence d'utilisation. Une fuite de carburant peut provoquer un incendie.

Si vous détectez une fuite pendant une inspection, remplacez immédiatement le tuyau de carburant.



INSPECTION DES BOULONS, ÉCROUS ET VIS

- Resserrez les boulons, écrous, etc. desserrés.
- Assurez-vous que le bouchon du réservoir et le bouchon d'huile sont bien serrés. Vérifiez l'absence de fuite de carburant et d'huile.
- Remplacez les pièces endommagées par des pièces neuves afin de garantir un fonctionnement en toute sécurité.

NETTOYAGE DES PIÈCES

- Maintenez toujours le moteur en bon état de propreté.
- Conservez les ailettes de cylindre et entrées d'air dépourvues de poussière et saleté. Si de la poussière ou de la saleté adhère aux ailettes, cela peut entraîner le grippage du piston.

REMPACEMENT DE JOINTS STATIQUES ET DE TAMPONS AMORTISSEURS

Lorsque vous remontez le moteur, n'oubliez pas de remplacer les joints statiques et les tampons amortisseurs par des pièces neuves. Tout travail d'entretien ou de réglage non inclus et décrit dans ce manuel doit être effectué uniquement par des agents d'entretien agréés.

ENTREPOSAGE



AVERTISSEMENT : Pour vidanger le carburant, veillez à arrêter le moteur et à vous assurer qu'il a refroidi.
Juste après avoir été arrêté, le moteur encore être chaud et provoquer des brûlures ou un incendie.



ATTENTION : Si vous prévoyez de ne pas utiliser l'appareil pendant une longue période, vidangez le réservoir de carburant et le carburateur, et entreposez l'appareil dans un endroit sec et propre.

- Pour vidanger le réservoir de carburant et le carburateur, procédez comme suit :
 - 1) Retirez le bouchon du réservoir de carburant, et vidangez le carburant entièrement. S'il reste un corps étranger dans le réservoir, retirez-le complètement.
 - 2) Retirez le filtre à carburant de l'orifice de remplissage à l'aide d'un fil.
 - 3) Appuyez sur la pompe d'amorçage jusqu'à ce que le carburant soit entièrement vidé et vidangez le carburant qui arrive dans le réservoir de carburant.
 - 4) Placez le filtre sur le réservoir de carburant, et vissez à fond le bouchon du réservoir de carburant.
 - 5) Ensuite, faites tourner le moteur jusqu'à ce qu'il s'arrête.
- Retirez la bougie et versez plusieurs gouttes d'huile moteur dans le logement de la bougie.
- Tirez doucement la poignée du démarreur afin que l'huile moteur se répande sur le moteur, puis remettez la bougie en place.
- En général, rangez l'appareil en position horizontale. Si cela n'est pas possible, placez-le de sorte que le moteur se trouve sous l'outil de coupe. Dans le cas contraire, de l'huile moteur risque de fuir depuis l'intérieur. Soyez très vigilant lors du rangement de l'appareil pour éviter qu'il tombe et provoque des blessures corporelles.
- Entreposez l'essence vidangée dans un bidon spécial, dans un endroit bien ventilé.

Attention après un entreposage pendant une longue période

- Avant de démarrer l'appareil après un long arrêt, veillez à remplacer l'huile (voir à la page 32). L'huile se détériore lorsque l'appareil ne fonctionne pas pendant une longue période.

Résolution de pannes

Panne	Système	Observation	Cause
Le moteur ne démarre pas, ou avec difficultés	Système d'allumage	Étincelle d'allumage O.K.	Panne de l'alimentation en carburant ou du système de compression, panne mécanique
		Pas d'étincelle d'allumage	Interrupteur STOP commandé, panne de câblage ou court-circuit, bougie ou connecteur défectueux, module d'allumage défectueux
	Alimentation en carburant	Réservoir de carburant plein	Position incorrecte de l'étrangleur, carburateur défectueux, ligne d'alimentation en carburant courbée ou bloquée, carburant encrassé
Problèmes de démarrage à chaud	Compression	Pas de compression lors de la mise en route	Joint inférieur du cylindre défectueux, joints d'étanchéité du vilebrequin endommagés, cylindre ou segments de piston défectueux ou mauvaise étanchéité de la bougie
	Panne mécanique	Le démarreur ne s'enclenche pas	Ressort du démarreur cassé, pièces cassées à l'intérieur du moteur
Le moteur démarre mais s'éteint	Alimentation en carburant	Réservoir plein, bougie d'allumage en place	Carburateur contaminé, nettoyez-le
		Réservoir rempli	Mauvais réglage du ralenti, carburateur contaminé
Performances insuffisantes	Plusieurs systèmes peuvent être affectés simultanément	Mauvais ralenti du moteur	Prise d'air du réservoir de carburant défectueuse, conduite d'alimentation en carburant interrompue, câble ou interrupteur STOP défectueux
			Filtre à air contaminé, carburateur contaminé, silencieux bouché, conduit d'échappement du cylindre bouché

Élément	Durée de fonctionnement								P correspondante
		Avant utilisation	Après lubrification	Tous les jours (10 h)	30 h	50 h	200 h	Arrêt/ repos	
Huile moteur	Inspecter/ nettoyer	○							27
	Remplacer					○*1			32
Serrage des pièces (boulon, écrou)	Inspecter	○							34
Réservoir de carburant	Nettoyer/ inspecter	○							—
	Vidanger le carburant							○*3	35
Levier d'accélération	Vérifier le fonctionnement		○						—
Interrupteur d'arrêt	Vérifier le fonctionnement		○						30
Accessoire de coupe	Inspecter	○		○					26
Rotation au ralenti	Inspecter/ régler			○					30
Filtre à air	Nettoyer			○					33
Bougie d'allumage	Inspecter			○					34
Entrée d'air de refroidissement	Nettoyer/ inspecter			○					34
Tuyau de carburant	Inspecter			○					34
	Remplacer						◎*2		—
Filtre à carburant	Nettoyer/ remplacer					○			34
Espace entre les valves d'entrée et de sortie d'air	Régler						◎*2		—
Révision du moteur							◎*2		—
Carburateur	Vidanger le carburant							○*3	35

*1 Procédez au remplacement initial après 20 heures d'utilisation.

*2 Demandez à un atelier de mécanique ou un agent d'entretien agréé d'effectuer l'entretien après 200 heures d'utilisation.

*3 Après avoir vidé le réservoir de carburant, continuez à faire fonctionner le moteur et purgez le carburant situé dans le carburateur.

RÉSOLUTION DE PROBLÈMES

Avant d'envoyer votre appareil en réparation, vérifiez si vous pouvez régler le problème vous-même. Si vous découvrez une anomalie, commandez votre appareil selon les descriptions de ce mode d'emploi. Ne démontez et ne modifiez aucune pièce d'une manière contraire à la description. Pour toute réparation, contactez un agent d'entretien agréé ou un revendeur local.

Problème	Cause probable (dysfonctionnement)	Solution
Le moteur ne démarre pas	Oubli d'activation de la pompe d'amorçage	Appuyer 7 à 10 fois
	Tirage lent de la corde du démarreur	Tirer plus fort
	Panne de carburant	Faire le plein
	Filtre de carburant bouché	Nettoyer
	Tube de carburant cassé	Redresser le tube de carburant
	Carburant détérioré	Du carburant détérioré rend le démarrage plus difficile. Remplacez-le par du carburant neuf. (Remplacement recommandé : 1 fois par mois)
	Protecteur de bougie débranché	Le brancher solidement
	Bougie contaminée	Nettoyer
	Espacement anormal de la bougie	Régler l'espacement
	Autre problème de la bougie	Remplacer
	Carburateur anormal	Faire une demande d'examen et d'entretien.
	Impossible de tirer la corde de démarrage	Faire une demande d'examen et d'entretien.
	Entraînement anormal	Faire une demande d'examen et d'entretien.
Le moteur s'arrête rapidement La vitesse du moteur n'augmente pas	Réchauffement insuffisant	Réchauffer le moteur
	Le levier d'étrangleur est en position « FERMER » alors que le moteur est chaud.	Le régler sur « OUVERT ».
	Filtre de carburant bouché	Nettoyer ou remplacer
	Filtre à air contaminé ou bouché	Nettoyer
	Carburateur anormal	Faire une demande d'examen et d'entretien.
L'accessoire de coupe ne tourne pas.	L'accessoire de coupe n'est pas bien fixée.	Fixez correctement l'accessoire de coupe.
	Une brindille est coincée entre l'accessoire de coupe et le protecteur.	Retirez le corps étranger.
	Le système d'entraînement ne fonctionne pas correctement.	Demandez à un centre d'entretien agréé Makita de l'examiner et de le réparer.
L'appareil vibre anormalement.	L'accessoire de coupe est cassée.	Remplacez l'accessoire de coupe.
	L'accessoire de coupe n'est pas bien fixée.	Fixez correctement l'accessoire de coupe.
	Une extrémité des fils de coupe en nylon est cassée et la tête à fils de nylon est déséquilibrée.	Rallongez le fil de coupe en nylon en tapant la tête à fils de nylon sur le sol.
	Le système d'entraînement ne fonctionne pas correctement.	Demandez à un centre d'entretien agréé Makita de l'examiner et de le réparer.
L'accessoire de coupe ne s'arrête pas.	Le groupe moteur ne fonctionne pas correctement.	Se reporter au mode d'emploi du groupe moteur.
Le moteur ne s'arrête pas	Connecteur débranché	Le brancher solidement
	Système électrique anormal	Faire une demande d'examen et d'entretien.
Faites tourner le moteur au ralenti et réglez le levier d'étrangleur sur FERMER		
Le fil de coupe en nylon ne sort pas.	Il n'y a plus de fil, ou il est emmêlé dans la bobine.	Réenroulez le fil.
	Le découpeur de fil situé sur le protecteur est endommagé ou manquant.	Demandez à un centre d'entretien agréé Makita de remplacer le découpeur de fil.
Le fil de coupe en nylon n'est pas coupé à la bonne longueur.	Le fil dépasse du protecteur.	Réenroulez le fil.

Lorsque le moteur ne démarre pas après avoir été réchauffé :

Si aucun problème n'apparaît après vérification, ouvrez l'étrangleur d'environ 1/3 et démarrez le moteur.

Herzlichen Glückwunsch, dass Sie sich für den Kauf eines motorgetriebenen Werkzeugs von MAKITA entschieden haben. Wir freuen uns, Ihnen den Motor-Rasentrimmer von MAKITA anbieten zu können; diese Erzeugnisse sind das Ergebnis eines langen Entwicklungsprogramms und vieler Jahre an Erkenntnissen und Erfahrungen.

Lesen Sie diese Broschüre mit detaillierten Informationen zu den verschiedenen Punkten, die die herausragende Leistung demonstrieren, aufmerksam durch. So können Sie die bestmöglichen Ergebnisse mit Ihrem Produkt von MAKITA erzielen.



Inhaltsverzeichnis	Seite
Symbole.....	38
Sicherheitsvorschriften	39
Technische Daten	42
Bezeichnung der Bauteile.....	43
Montieren des Griffs	44
Montieren des Schutzes	44
Montieren des Nylon-Schneidkopfes.....	44
Vor dem Betrieb.....	45
Wichtige Betriebsschritte und Stoppen des Werkzeugs.....	47
Der Nylon-Schneidkopf.....	48
Wartungsanweisungen	50
Aufbewahrung	53

SYMBOLE

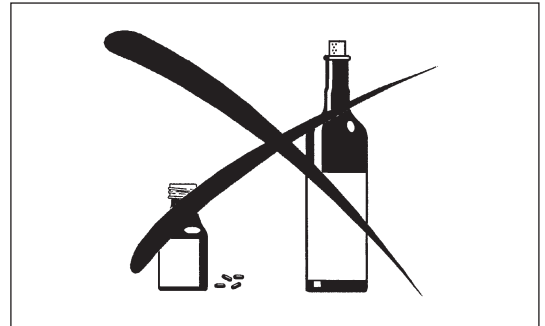
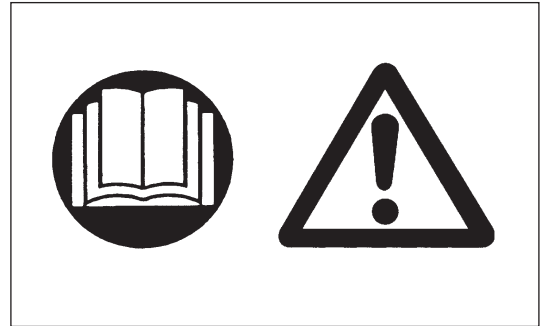
Beim Lesen der Betriebsanleitung werden Ihnen die folgenden Symbole begegnen:

	Bitte lesen Sie die Betriebsanleitung und befolgen Sie die Warnungen und Sicherheitshinweise!		Tragen Sie Schutzhelm, Schutzbrille und Gehörschutz.
	Besondere Aufmerksamkeit erforderlich!		Maximal zulässige Werkzeugdrehzahl
	Verboten!		Kraftstoff (Benzin)
	Halten Sie Abstand!		Manueller Motorstart
	Gefahr durch herumfliegende Gegenstände!		Not-Aus
	Rauchen verboten!		Erste Hilfe
	Umgang mit offenen Flammen verboten!		EIN / START
	Tragen Sie Schutzhandschuhe!		AUS / STOPP
	Tragen Sie festes Schuhwerk mit rutschfesten Sohlen. Empfohlen werden Arbeitsschutzschuhe mit Stahlkappen!		Verwenden Sie niemals Schneidwerkzeuge aus Metall!
	Im Arbeitsbereich dürfen sich keine anderen Personen und keine Tiere aufhalten!		

SICHERHEITSVORSCHRIFTEN

Allgemeine Sicherheitsregeln

- Lesen Sie diese Bedienungsanleitung durch und machen Sie sich mit dem Umgang mit diesem Werkzeug vertraut. Unzureichend informierte Benutzer können bei einem unsachgemäßen Umgang mit dem Werkzeug sich und andere gefährden.
- Sie sollten das Werkzeug nur an Personen verleihen, die nachweislich über Erfahrungen im Umgang mit derartigen Werkzeugen verfügen. Überreichen Sie stets auch diese Bedienungsanleitung.
- Erstanwender sollten sich von ihrem Händler grundlegende Anleitungen geben lassen, um im Umgang mit einem Rasentrimmer vertraut zu werden.
- Kindern und Jugendlichen unter 18 Jahren ist die Bedienung dieses Werkzeugs untersagt. Personen über 16 Jahre dürfen das Werkzeug für Übungszwecke verwenden, jedoch nur unter Aufsicht eines entsprechend qualifizierten Anleiters.
- Verwenden Sie dieses Werkzeug stets mit äußerster Vorsicht und Aufmerksamkeit.
- Betreiben Sie dieses Werkzeug nur, wenn Sie in guter physischer Verfassung sind. Führen Sie alle Arbeiten ruhig und mit Vorsicht aus. Die Bedienperson ist gegenüber Dritten haftbar.
- Betreiben Sie dieses Werkzeug nie unter dem Einfluss von Alkohol und/oder Medikamenten, oder wenn Sie müde oder krank sind.
- Die Erlaubnis zur Verwendung dieses Werkzeugs kann durch örtlich geltende Gesetze und Bestimmungen eingeschränkt sein.

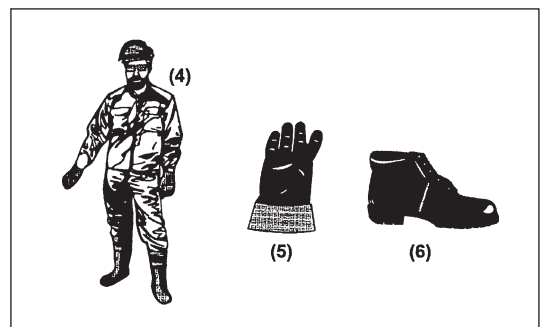
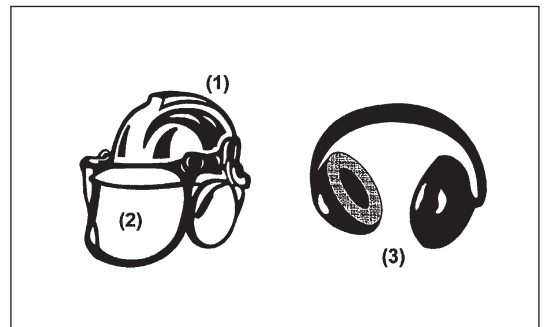


Verwendungszweck des Werkzeugs

- Dieses Werkzeug darf ausschließlich für das Schneiden von Gras und leichtem Unkrautbewuchs verwendet werden. Das Werkzeug darf nicht für andere Zwecke verwendet werden, beispielsweise zum Beschneiden von Einfassungen oder Hecken, da dies zu Verletzungen führen kann.

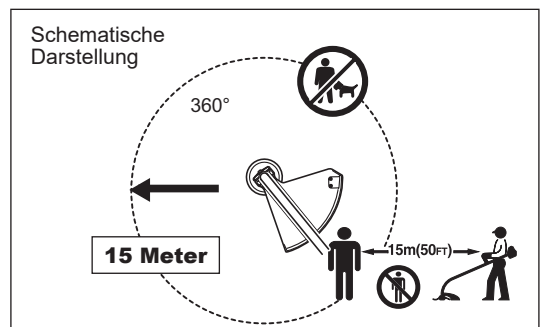
Persönliche Schutzausrüstung

- Tragen Sie zweckmäßige und geeignete Kleidung, d. h. die Kleidung sollte am Körper anliegen, ohne Behinderungen zu verursachen. Tragen Sie keinen Schmuck. Tragen Sie keine Kleidung, mit der Sie sich in Büschen oder Gestrüpp verfangen können.
- Zur Vermeidung von Verletzungen von Gehör, Augen, Händen und Füßen, aber auch um Ihre Hörleistung während des Betriebs zu schützen, müssen Sie während der Bedienung des Werkzeugs die folgenden Schutzausrüstungen oder Schutzkleidungen tragen.
- Tragen Sie stets einen Helm, wenn die Gefahr herabfallender Gegenstände besteht. Der Schutzhelm (1) muss regelmäßig auf Beschädigungen überprüft und spätestens alle 5 Jahre ausgetauscht werden. Verwenden Sie ausschließlich zugelassene Schutzhelme.
- Das Visier (2) des Helms (oder alternativ eine Schutzbrille) schützt das Gesicht vor herumfliegenden Fremdkörpern und Steinen. Tragen Sie während des Betriebs des Werkzeugs eine Schutzbrille oder ein Visier, um Verletzungen der Augen zu vermeiden.
- Tragen Sie einen angemessenen Gehörschutz, um eine Schädigung des Gehörs zu vermeiden (Gehörschutzkapseln (3), Gehörschutzstöpsel usw.).
- Arbeitsanzüge (4) schützen gegen herumfliegende Steine und Fremdkörper. Wir empfehlen dringend, dass der Bediener einen Arbeitsanzug trägt.
- Handschuhe (5) sind Bestandteil der vorgeschriebenen Ausrüstung und müssen stets bei Bedienung dieses Werkzeugs getragen werden.
- Tragen Sie beim Arbeiten mit dem Werkzeug stets feste Schuhe (6) mit rutschfesten Sohlen. Derartige Schuhe schützen vor Verletzungen und geben einen sicheren Halt.



Starten des Motor-Rasentrimmers

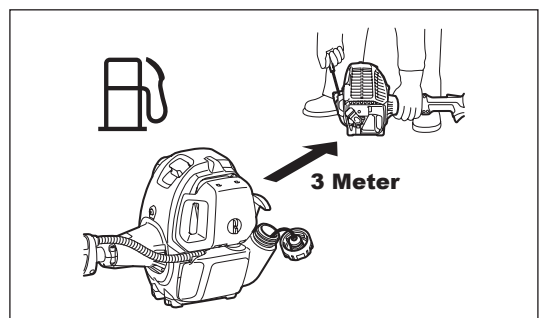
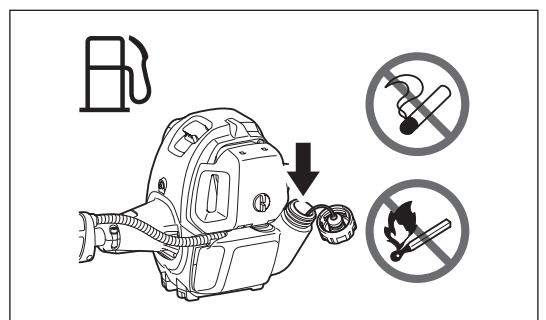
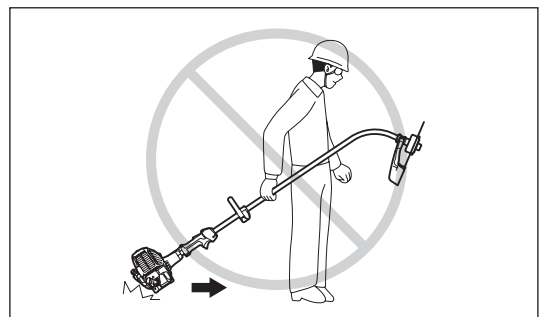
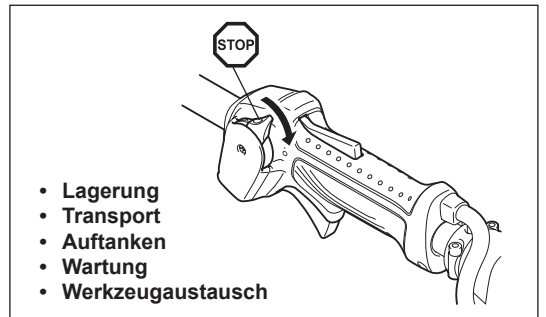
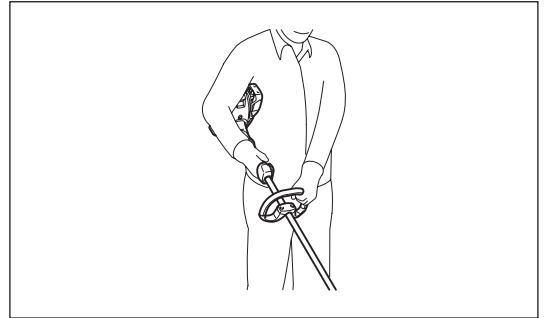
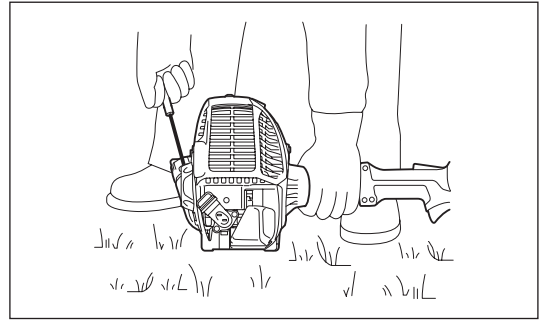
- Vergewissern Sie sich, dass sich in einem Arbeitsbereich von 15 m keine Kinder oder andere Personen aufhalten, achten Sie außerdem auf Tiere im Arbeitsbereich.
- Überprüfen Sie vor jeder Verwendung, dass das Werkzeug betriebssicher ist. Prüfen Sie die Sicherheit des Schneidwerkzeugs, den Gashebel auf einfache Bedienung und die Arretierung des Gashebels auf ordnungsgemäße Funktion.
- Im Leerlauf darf sich das Schneidwerkzeug nicht drehen. Wenden Sie sich bei Bedenken an Ihren Händler, um die Einstellungen zu überprüfen. Sorgen Sie dafür, dass die Griffe sauber und trocken sind, und testen Sie die Funktion des Start-/Stoppeschalters.



- Starten Sie den Motor-Rasentrimmer ausschließlich wie in der Bedienungsanleitung vorgegeben.
- Starten Sie den Motor auf keine andere Weise!
- Verwenden Sie den Motor-Rasentrimmer und die Werkzeuge nur für die angegebenen Zwecke.
- Starten Sie den Motor nur, wenn das Werkzeug vollständig zusammengebaut ist. Der Betrieb des Werkzeugs ist nur gestattet, wenn alles dazugehörige Zubehör anmontiert ist!
- Stellen Sie vor dem Starten sicher, dass das Schneidwerkzeug keine harten Gegenstände (Geäst, Steine usw.) berührt, da sich das Schneidwerkzeug beim Starten dreht.
- Bei Motorproblemen muss der Motor sofort ausgeschaltet werden.
- Sollte das Schneidwerkzeug Steine oder andere harte Gegenstände treffen, schalten Sie sofort den Motor aus und überprüfen Sie das Schneidwerkzeug.
- Überprüfen Sie das Schneidwerkzeug in regelmäßigen, kurzen Intervallen. Prüfen Sie mit einem Klopfest auf Haarrisse.
- Wenn das Werkzeug einem starken Stoß ausgesetzt wurde oder heruntergefallen ist, überprüfen Sie den Zustand des Werkzeugs, bevor Sie die Arbeiten fortsetzen. Überprüfen Sie das Kraftstoffsystem auf Leckagen und die Bedienelemente und Sicherheitseinrichtungen auf Fehlfunktionen. Wenn Sie einen Schaden bemerken oder sich nicht sicher sind, wenden Sie sich zur Inspektion und Reparatur an unser Ihr autorisiertes Servicecenter.
- Halten Sie den Motor-Rasentrimmer während des Betriebs stets mit beiden Händen. Halten Sie den Motor-Rasentrimmer während des Betriebs niemals mit nur einer Hand.
Sorgen Sie immer für einen sicheren Stand.
- Betreiben Sie das Werkzeug stets so, dass Sie keine Abgase einatmen. Betreiben Sie den Motor niemals in geschlossenen Räumen (Gefahr einer Gasvergiftung). Kohlenmonoxid ist ein geruchloses Gas.
- Schalten Sie den Motor aus, wenn Sie das Werkzeug ablegen, oder wenn Sie das Werkzeug unbeaufsichtigt lassen, und lagern Sie das Werkzeug immer an einem sicheren Ort, um Verletzungen anderer Personen und Beschädigungen des Werkzeugs zu vermeiden.
- Legen Sie den heißen Motor-Rasentrimmer niemals auf trockenem Gras oder auf sonstigen brennbaren Materialien ab.
- Bringen Sie stets den Schneidwerkzeugschutz am Werkzeug an, bevor Sie den Motor starten. Andernfalls kann der Kontakt mit dem Schneidwerkzeug schwere Verletzungen verursachen.
- Während des Betriebs müssen alle mit dem Werkzeug gelieferten Schutzvorrichtungen und Abdeckungen verwendet werden.
- Betreiben Sie den Motor niemals mit beschädigtem Auspuffschalldämpfer.
- Schalten Sie den Motor während des Transports aus.
- Sorgen Sie bei Transport des Werkzeugs in einem Fahrzeug für eine sichere Ablage, um das Austreten von Kraftstoff zu vermeiden.
- Sorgen Sie dafür, dass beim Transport der Kraftstofftank des Werkzeugs vollständig leer ist.
- Setzen Sie beim Abladen des Motor-Rasentrimmers von einem LKW den Motor niemals hart auf den Boden auf; dadurch kann der Kraftstofftank beschädigt werden.
- Lassen Sie das Werkzeug nur in einem Notfall auf den Boden fallen, da dadurch das Werkzeug beschädigt werden kann.
- Heben Sie beim Bewegen immer das gesamte Werkzeug vom Boden an. Ein Ziehen am Kraftstofftank ist äußerst gefährlich und kann zu Beschädigung des Kraftstofftanks oder zum Auslaufen von Kraftstoff führen und ggf. einen Brand verursachen.

Auftanken

- Schalten Sie den Motor aus, halten Sie den Motor von offenen Flammen fern und rauchen Sie während des Auftankens nicht.
- Vermeiden Sie Hautkontakt mit Mineralölprodukten. Atmen Sie die Kraftstoffdämpfe nicht ein. Tragen Sie zum Betanken immer Schutzhandschuhe. Wechseln und reinigen Sie Schutzkleidung regelmäßig.
- Stellen Sie zur Vermeidung einer Kontaminierung des Erdbodens (Umweltschutz) sicher, dass kein Kraftstoff und kein Öl in das Erdreich eindringt. Wischen Sie verschütteten Kraftstoff unverzüglich vom Motor-Rasentrimmer ab.
- Achten Sie darauf, dass Ihre Kleidung nicht in Kontakt mit Kraftstoff kommt. Falls Ihre Kleidung in Kontakt mit Kraftstoff kommt, wechseln Sie die Kleidung sofort (Brandgefahr!).
- Überprüfen Sie den Tankdeckel regelmäßig auf ordnungsgemäßen Sitz und auf Dichtheit.
- Schrauben Sie den Deckel des Kraftstofftanks ordnungsgemäß fest. Entfernen Sie sich mindesten 3 m vom Ort des Betankens, bevor Sie den Motor starten.
- Betanken Sie das Werkzeug niemals in geschlossenen Räumen. Andernfalls kann es aufgrund der Ansammlung von Kraftstoffdampf auf dem Boden zu einer Explosion kommen.
- Transportieren und lagern Sie Kraftstoff ausschließlich in dafür zugelassenen Behältern. Stellen Sie sicher, dass Kinder keinen Zugang zu gelagertem Kraftstoff haben.



Handhabung

- Verwenden Sie das Werkzeug nur bei guten Licht- und Sichtverhältnissen. Achten Sie im Winter auf rutschige oder nasse Bereiche, z. B. auf vereiste oder schneebedeckte Flächen (Rutschgefahr). Sorgen Sie immer für einen sicheren Stand.
- Schneiden Sie niemals über Schulterhöhe.
- Schneiden Sie niemals auf einer Leiter stehend.
- Klettern Sie niemals auf Bäume, um mit dem Werkzeug zu schneiden.
- Arbeiten Sie niemals auf nicht stabilen Flächen.
- Entfernen Sie Sand, Steine, Nägel usw. aus dem Arbeitsbereich.
- Vergewissern Sie sich vor Beginn des Schnitts, dass das Schneidwerkzeug die volle Arbeitsdrehzahl erreicht hat.
- Schwenken Sie den Motor-Rasentrimmer gleichmäßig. Falls sich Gras oder Äste zwischen dem Schneidwerkzeug und dem Schutz verfangen, stoppen Sie vor dem Reinigen stets den Motor. Andernfalls kann der Kontakt mit dem Schneidwerkzeug schwere Verletzungen verursachen.
- Legen Sie regelmäßig Pausen ein, damit es nicht zu einem Kontrollverlust aufgrund von Ermüdungserscheinungen kommt. Wir empfehlen, jede Stunde eine Pause von 10 bis 20 Minuten einzulegen.



Schneidwerkzeuge

- Verwenden Sie niemals Metallblätter, auch keine metallischen, mehrteiligen Pivotketten und Schlegelmesser. Andernfalls kann es bei Kontakt mit den Schneidwerkzeugen zu schweren Verletzungen kommen.

Schwingung

- Wenn sich Personen mit Durchblutungsstörungen zu starken mechanischen Schwingungen aussetzen, kann es zu Schädigungen von Blutgefäßen und/oder Nervensystem kommen. Folgende Symptome können durch Vibrationen an Fingern, Händen oder Handgelenken auftreten: „Einschlafen“ von Körperteilen (Taubheit), Kribbeln, Schmerz, Stechen, Veränderung von Hautfarbe oder Haut. Falls eines dieser Symptome auftritt, suchen Sie einen Arzt auf!
- Um das Risiko der „Weißfingerkrankheit“ zu verringern, halten Sie Ihre Hände während des Arbeitens warm und warten und pflegen Sie das Werkzeug und Zubehörteile gut.



Wartungsanweisungen

- Lassen Sie Ihr Werkzeug durch unser autorisiertes Servicecenter warten, verwenden Sie stets nur originale Ersatzteile. Unsachgemäße Reparatur- und Wartungsarbeiten können die Lebenszeit des Werkzeugs verkürzen und das Unfallrisiko erhöhen.
- Überprüfen Sie immer den Zustand des Werkzeugs, insbesondere des Schneidwerkzeugs und der Schutzvorrichtungen, bevor Sie mit der Arbeit beginnen.
- Schalten Sie den Motor aus und entfernen Sie den Zündkerzenstecker, bevor Sie das Schneidwerkzeug austauschen, aber auch bevor Sie den Rasentrimmer oder das Schneidwerkzeug reinigen.
- Nehmen Sie Rücksicht auf die Umwelt und auf Ihre Nachbarn. Vermeiden Sie ein unnötiges Betätigen des Gashebels, damit Umweltbelastung und Geräusentwicklung so gering wie möglich gehalten werden. Achten Sie auf eine korrekte Vergasereinstellung.
- Reinigen Sie das Werkzeug regelmäßig und überprüfen Sie, ob alle Schrauben und Muttern fest angezogen sind.
- Das Ausführen von Arbeiten am Werkzeug oder das Lagern des Werkzeugs in der Nähe offener Flammen ist verboten.
- Lagern Sie das Werkzeug in einem abgeschlossenen Raum und nur mit geleertem Kraftstofftank.



Beachten Sie die geltenden Bestimmungen zur Verhinderung von Unfällen, die von den zuständigen Berufsorganisationen und von Versicherungsunternehmen herausgebracht werden. Nehmen Sie keinerlei technische Veränderungen am Werkzeug vor, da dies Ihre Sicherheit gefährden würde.

Der Bediener darf nur die in dieser Bedienungsanleitung beschriebenen Wartungs- und Reparaturarbeiten durchführen. Alle anderen Arbeiten müssen von autorisiertem Wartungspersonal durchgeführt werden. Verwenden Sie ausschließlich originale Ersatz- und Zubehörteile, die von MAKITA freigegeben sind und geliefert werden.

Die Verwendung nicht freigegebener Zubehörteile und Werkzeuge führt zu einem erhöhten Unfallrisiko.

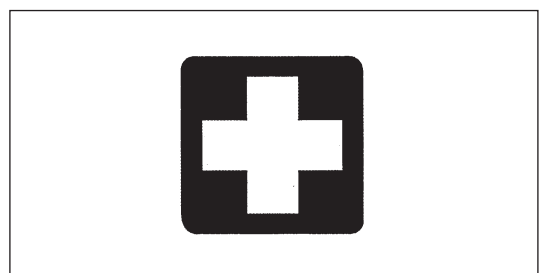
MAKITA übernimmt keine Haftung für Unfälle oder Schäden, die durch die Verwendung nicht genehmigter Schneidwerkzeuge, Befestigungen der Schneidwerkzeuge und Zubehörteile verursacht werden.

Erste Hilfe

Stellen Sie für den Fall eines Unfalls sicher, dass in der Nähe der Schneidarbeiten ein Erste-Hilfe-Kasten verfügbar ist. Ersetzen Sie aus dem Erste-Hilfe-Kasten entnommene Materialien sofort.

Machen Sie folgende Angaben, wenn Sie Hilfe anfordern:

- Ort des Unfalls
- Was ist passiert
- Anzahl der verletzten Personen
- Art der Verletzungen
- Ihr Name



TECHNISCHE DATEN ER2650LH

Modell		ER2650LH		
Griffart		Bügelgriff		
Abmessungen: Länge x Breite x Höhe (ohne Schneidwerkzeug)		mm	1.621 x 310 x 479	
Schneiddurchmesser		mm	412	
Gewicht (ohne Kunststoffschutz und Schneidwerkzeug)		kg	4,8	
Volumen (Kraftstofftank)		l	0,6	
Volumen (Öltank)		l	0,08	
Motor-Hubraum		cm ³	25,4	
Maximale Motorleistung		kW	0,77 bei 7.000 min ⁻¹	
Motordrehzahl bei empfohlener max. Wellendrehzahl		min ⁻¹	10.000	
Maximale Drehzahl der Welle		min ⁻¹	7.900	
Leerlaufdrehzahl		min ⁻¹	3.000	
Drehzahl für Kupplungseingriff		min ⁻¹	3.900	
Vergaser		Art des Diaphragma		
Zündungssystem		Kontaktlos, mit Magnet		
Zündkerze		Typ	NGK CMR4A	
Elektrodenabstand		mm	0,7 - 0,8	
Schwingungen nach ISO 22867	Rechter Griff (Hinterer Griff)	a _{hv eq}	m/s ²	8,2
		Abweichung K	m/s ²	0,9
	Linker Griff (Vorderer Griff)	a _{hv eq}	m/s ²	5,0
		Abweichung K	m/s ²	1,7
Durchschnittlicher Schalldruckpegel nach ISO 22868	L _{PA eq}	dBA	97,5	
	Abweichung K	dBA	1,8	
Durchschnittlicher Schalleistungspegel nach ISO 22868	L _{WA eq}	dBA	107,3	
	Abweichung K	dBA	2,5	
Kraftstoff		Fahrzeugbenzin		
Motorenöl		Klasse SF oder höher nach API-Klassifikation, Klasse 10W-30 nach SAE-Klassifikation (Motoröl für Auto-Viertaktmotor)		

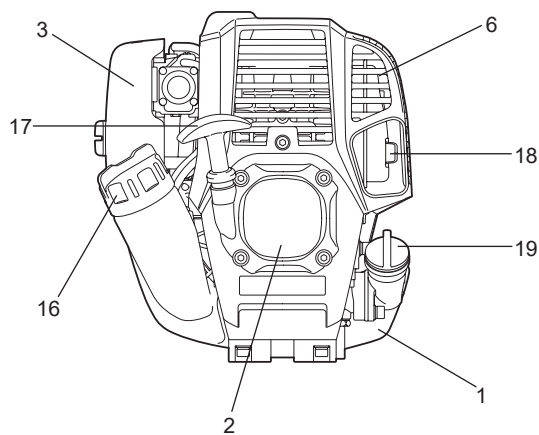
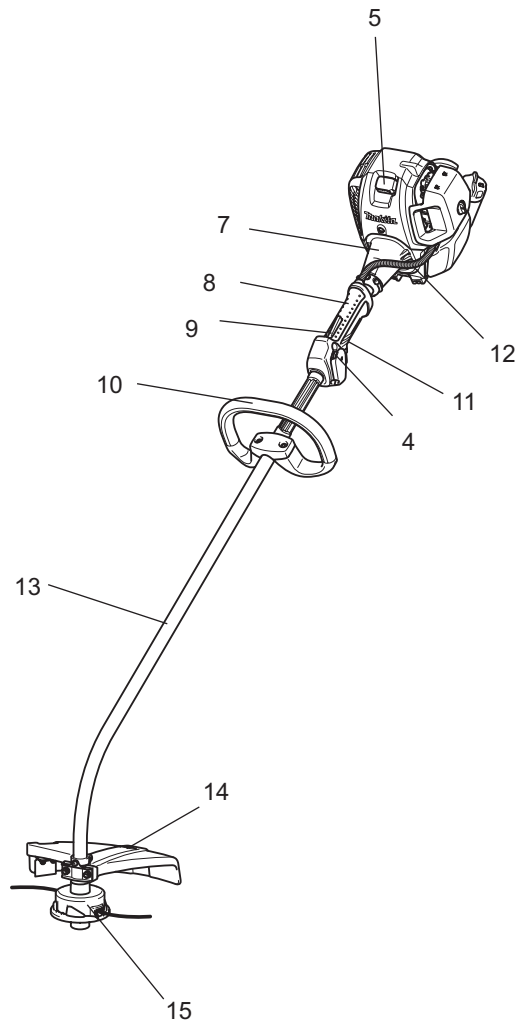
Nur für europäische Länder

EG-Konformitätserklärung

Die EG-Konformitätserklärung liegt dieser Betriebsanleitung als Anhang A bei.

BEZEICHNUNG DER BAUTEILE

ER2650LH



D	BEZEICHNUNG DER BAUTEILE
1	Kraftstofftank
2	Seilspulstarter
3	Luffilter
4	I/O-Schalter (EIN/AUS)
5	Zündkerze
6	Abgasschalldämpfer
7	Kupplungsgehäuse
8	Hinterer Griff
9	Entriegelungshebel
10	Griff
11	Gashebel
12	Regelungskabel
13	Welle
14	Schutz (Schutz für Schneidwerkzeug)
15	Nylon-Schneidkopf
16	Tankdeckel
17	Starterknopf
18	Abgasleitung
19	Öldeckel

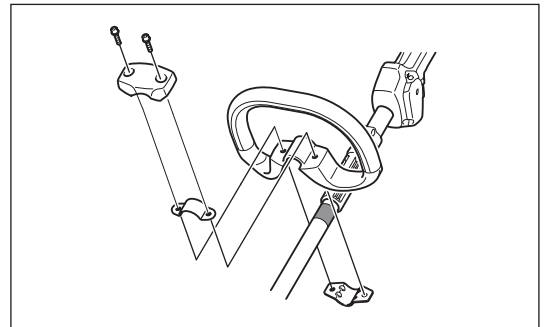
MONTIEREN DES GRIFFS

- ⚠ ACHTUNG:** Stoppen Sie vor allen Arbeiten am Werkzeug den Motor und ziehen Sie den Zündkerzenstecker von der Zündkerze. Tragen Sie immer Schutzhandschuhe!
- ⚠ ACHTUNG:** Stellen Sie vor dem Starten sicher, dass das Werkzeug wieder vollständig zusammengebaut ist.

Für Modelle mit Bügelgriff

- Befestigen Sie den Bügelgriff wie dargestellt an der Welle.
- Vergewissern Sie sich, dass sich das Distanzstück an der Welle zwischen dem Griff und dem anderen Griff befindet. Entfernen oder kürzen Sie das Distanzstück nicht.

HINWEIS: In einigen Ländern wird das Distanzstück nicht mit dem Werkzeug geliefert. Richten Sie in diesem Fall den Handgriff weiter zur Seite aus, die durch Pfeilmarkierungen gekennzeichnet ist.



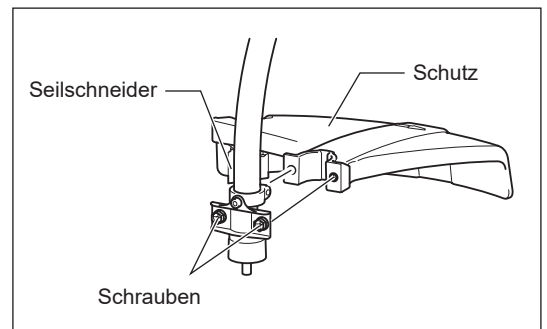
MONTIEREN DES SCHUTZES

Zur Einhaltung der geltenden Sicherheitsstandards dürfen nur die in dieser Übersicht aufgezeigten Werkzeug/Schutz-Kombinationen verwendet werden.

- ⚠ ACHTUNG:** Erfassen Sie den Seilschneider nicht am Schutz. Durch das Berühren des Seilschneiders mit bloßen Händen können Sie sich verletzen.

Der Schutz muss montiert werden, um die Länge der Nylon-Schneidseil zu halten und den Bediener gegen umherfliegende Steine und Gegenstände zu schützen. Führen Sie die folgenden Schritte aus, um den Schutz zu montieren:

1. Setzen Sie den Schutz so an, dass die Rippung an der Welle in die Kerbe am Schutz passt.
2. Ziehen Sie die zwei Schrauben fest.



MONTIEREN DES NYLON-SCHNEIDKOPFES

- ⚠ WARNUNG:** Verwenden Sie niemals Metallschneidwerkzeuge!

Vergewissern Sie sich, dass Sie einen originalen Nylon-Schneidkopf von MAKITA verwenden.

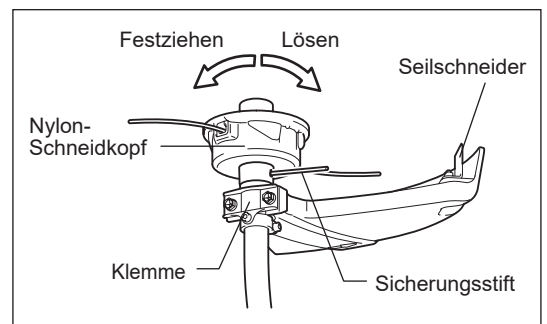
- Falls der Nylon-Schneidkopf während des Betriebs gegen Steine schlägt, stoppen Sie den Motor und überprüfen Sie den Nylon-Schneidkopf sofort.

- ⚠ ACHTUNG:** Erfassen Sie den Seilschneider nicht am Schutz. Durch das Berühren des Seilschneiders mit bloßen Händen können Sie sich verletzen.

Führen Sie die folgenden Schritte aus, um einen Nylon-Schneidkopf zu montieren.

1. Setzen Sie den Sicherungsstift durch das Loch in der Klemme ein. Drehen Sie diese und drücken Sie den Sicherungsstift hinein, bis diese verriegelt sind.
2. Schrauben Sie einen Nylon-Schneidkopf auf die Welle, indem Sie den Schneidkopf im Uhrzeigersinn drehen. Vergewissern Sie sich, dass der Schneidkopf sicher befestigt ist.
3. Entfernen Sie den Sicherungsstift.

Um den Nylon-Schneidkopf abzunehmen, drehen Sie den Nylon-Schneidkopf gegen den Uhrzeigersinn.



Inspektion und Nachfüllen von Motorenöl

- Gehen Sie dazu wie folgt vor, wenn der Motor abgekühlt ist.
- Legen Sie den Motor waagrecht ab, entfernen Sie den Öldeckel (Abb. 1) und prüfen Sie, ob Sie Öl im Bereich zwischen den oberen und unteren Grenzmarkierungen der Ölleitung sehen (Abb. 2).
- Füllen Sie Öl bis zur oberen Grenzmarkierung auf, falls nicht ausreichend Öl vorhanden ist (Ölstand nahe der unteren Grenzmarkierung) (Abb. 3).
- Der Bereich um die äußeren Markierungen ist transparent, so dass Sie den Ölstand im Inneren prüfen können, ohne den Öldeckel abzunehmen. Wenn die Ölleitung jedoch stark verschmutzt ist, kann die Transparenz verloren gehen, und der Ölstand muss am gestuften Bereich im Inneren der Ölleitung geprüft werden.
- Hinweis: Die Ölnachfüllzeit beträgt etwa 10 h (nach 10 Mal bzw. 10 verbrauchte Benzintankfüllung, bevor Öl nachgefüllt werden muss). Falls das Öl seine Farbe ändert oder sich mit Schmutz vermischt, ersetzen Sie es durch neues Öl. (Weitere Informationen zum Intervall und der Methode des Ölwechsels finden Sie auf Seite 50.)

Empfohlenes Öl: SAE 10W-30 Öl der API-Klassifikation, Klasse SF oder höher (Viertaktmotor für Autos)

Ölmenge: ca. 0,08 l

HINWEIS: Wenn der Motor nicht aufrecht gehalten wird, kann Öl in andere Bereiche des Motors gelangen. In diesem Fall ist der Füllstand in der Öl-Füllstandsanzeige nicht korrekt.
Füllen Sie Öl nur bei aufrecht stehendem Motor auf. Falls zu viel Öl eingefüllt wird, kann das Öl verschmutzt werden oder Feuer fangen und weiß rauchen.

Punkt 1 beim Ölwechsel: „Öldeckel“

- Entfernen Sie Staub und Schmutz um den Öleinfüllstutzen, und entfernen Sie den Öldeckel.
- Halten Sie den entfernten Öldeckel frei von Sand und Staub. Andernfalls kann am Öldeckel anhaftender Sand oder Staub eine abnormale Ölzirkulation oder einen Verschleiß der Motorteile und dadurch Probleme verursachen.

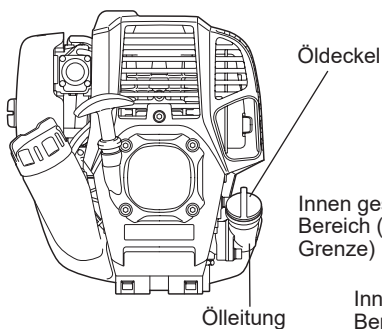


Abb. 1

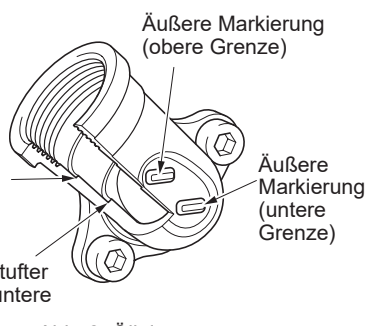
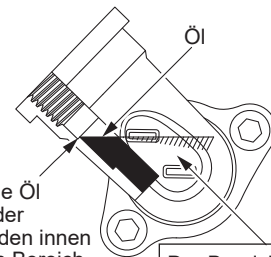


Abb. 2: Ölleitung

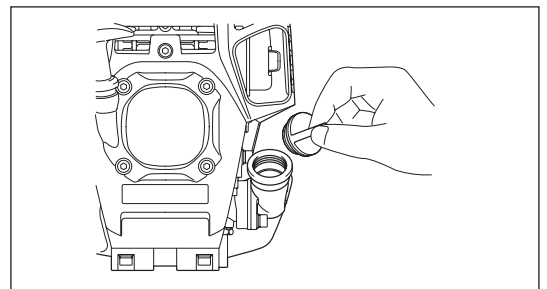


Füllen Sie Öl auf, bis der Ölstand den innen gestuften Bereich (obere Grenze) erreicht.

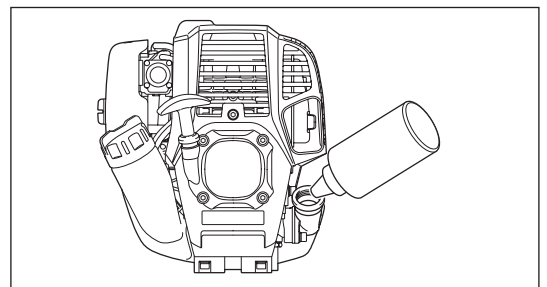
Abb. 3

Der Bereich zwischen äußeren oberen und unteren Grenzen ist transparent, so können Sie den Ölstand von außen gegen diese Markierungen prüfen.

- (1) Halten Sie den Motor waagrecht, und nehmen Sie den Öldeckel ab.



- (2) Füllen Sie Öl bis zur oberen Grenzmarkierung auf. (siehe Abb. 3)
Verwenden Sie zum Auffüllen eine Ölflasche.



- (3) Ziehen Sie den Öldeckel fest. Bei unzureichendem Festziehen kann Öl auslaufen.

Hinweis

- Wechseln Sie das Öl nicht in geneigter Position des Motors.
- Beim Auffüllen von Öl mit dem Motor in einer geeigneten Position wird zu viel Öl aufgefüllt, und es kann zu Ölverschmutzungen und/oder Ölnebelbildung kommen.

Punkt 2 beim Ölwechsel: „Falls Öl ausläuft“

- Falls Öl zwischen Kraftstofftank und Motorenhauptblock ausläuft, wird das Öl über den Kühlluft einlass angesaugt, sodass der Motor verunreinigt wird. Vergewissern Sie sich, dass Sie vor dem Start des Betriebs alles ausgelaufene Öl abgewischt haben.

AUFTANKEN

Umgang mit Kraftstoff

Beim Umgang mit Kraftstoff ist äußerste Vorsicht geboten. Kraftstoffe können Lösungsmitteln ähnliche Substanzen enthalten. Tanken Sie nur in einem gut belüfteten Raum oder im Freien auf. Atmen Sie Kraftstoffdämpfe nicht ein, und vermeiden Sie jeglichen Körperkontakt mit Kraftstoff. Durch anhaltenden oder wiederholten Hautkontakt wird Ihre Haut trocken, und es kann zu Hauterkrankungen oder allergischen Reaktionen kommen. Falls Kraftstoff in Ihre Augen gelangt, reinigen Sie die Augen sofort mit frischem Wasser. Falls die Augenirritation anhält, suchen Sie einen Arzt auf.

Aufbewahrungszeitraum von Kraftstoff

Kraftstoff sollte innerhalb eines Zeitraums von 4 Wochen verwendet werden, auch wenn er in einem speziellen Container an einem gut belüfteten, schattigen Ort gelagert wird.

Bei längerer Lagerung können sich Kraftstoffe zersetzen.

LAGERUNG DES WERKZEUGS UND AUFTANKEN

- Lagern Sie das Werkzeug und den Tank an einem kühlen Ort ohne direkte Sonneneinstrahlung.
- Bewahren Sie Kraftstoff niemals in einem Kraftfahrzeug auf.

Kraftstoff

Bei dem Motor handelt es sich um einen Viertaktmotor. Verwenden Sie ausschließlich einen unverbleiten Fahrzeugkraftstoff mit mindestens 87 Oktan ((R+M)/2). Der Alkoholanteil darf maximal 10 % (E-10) betragen.

Wichtige Punkte beim Tanken

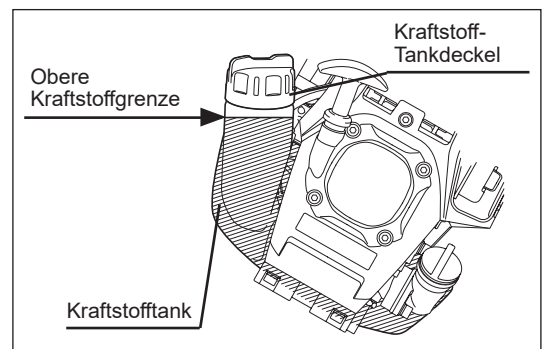
- Verwenden Sie niemals ein Gemisch aus Benzin und Motorenöl. Andernfalls treten übermäßige Kohleablagerungen oder mechanische Probleme auf.
- Die Verwendung von minderwertigem Öl führt zu einem ungleichförmigen Anlaufen.

Auftanken

⚠ WARNUNG: Schalten Sie den Motor aus, halten Sie den Motor von offenen Flammen fern und rauchen Sie während des Auftankens nicht.

Verwendetes Benzin: Bleifreies Fahrzeugbenzin mit mindestens 87 Oktan. Alkoholanteil maximal 10 % (E-10).

- Lösen Sie den Tankdeckel etwas, um den Druck abzulassen.
- Entfernen Sie den Tankdeckel. Tanken Sie auf und leiten Sie die Luft ab, indem Sie den Kraftstofftank neigen, sodass der Nachfüllstutzen nach oben zeigt. Füllen Sie den Tank NICHT randvoll.
- Wischen Sie den Bereich um den Tankdeckel gründlich sauber, damit keine Fremdkörper in den Kraftstofftank gelangen.
- Schrauben Sie nach dem Auftanken den Tankdeckel sicher fest.
- Falls der Tankdeckel einen Riss oder eine Beschädigung aufweist, ersetzen Sie den Deckel.
- Der Tankdeckel nutzt sich im Laufe der Zeit ab. Ersetzen Sie den Tankdeckel alle zwei bis drei Jahre.
- Füllen Sie KEINEN Kraftstoff in die Ölfüllöffnung.



WICHTIGE BETRIEBSSCHRITTE UND STOPPEN DES WERKZEUGS

Beachten Sie die geltenden Bestimmungen zur Unfallverhütung!

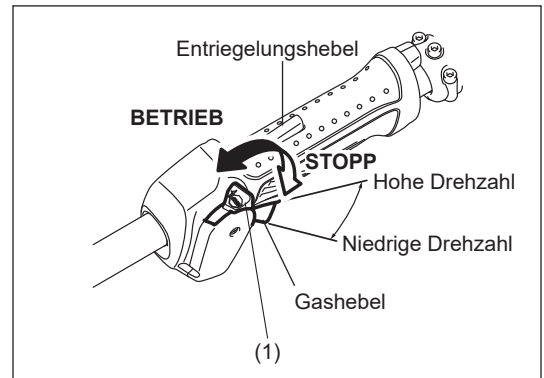


EINSCHALTEN

Bewegen Sie sich mindestens 3 m von dem Platz des Auftankens weg. Legen Sie das Werkzeug auf einem sauberen Untergrund ab und achten Sie darauf, dass das Schneidwerkzeug nicht in Kontakt mit dem Erdboden oder anderen Gegenständen kommt.

A: Kaltstart

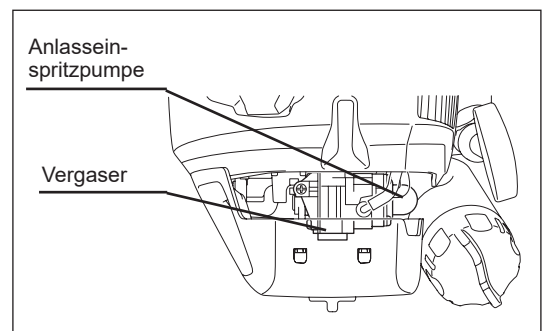
- 1) Legen Sie das Werkzeug auf einer ebenen Fläche ab.
- 2) Stellen Sie den I/O-Schalter (1) auf BETRIEB.



- 3) Anlasseinspritzpumpe

Drücken Sie die Anlasseinspritzpumpe so lange, bis Kraftstoff in die Anlasseinspritzpumpe eintritt. (Im Allgemeinen tritt Kraftstoff nach 7 bis 10 Pumpvorgängen in die Anlasseinspritzpumpe ein.)

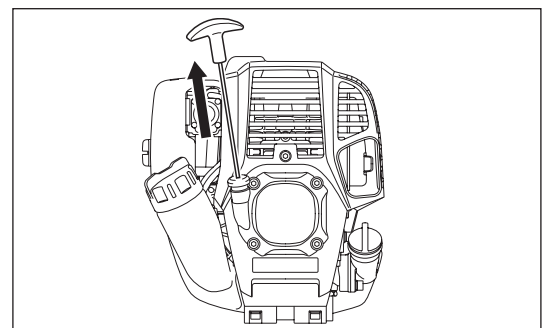
Falls die Anlasseinspritzpumpe zu lange gedrückt wird, fließt das überflüssige Benzin zurück in den Kraftstofftank.



- 4) Seilzugstarter

Ziehen Sie langsam den Startergriff, bis dieser schwer zu ziehen ist (Verdichtungspunkt). Lassen Sie den Startergriff anschließend zurückwickeln und ziehen Sie den Startergriff nun kräftig.

Ziehen Sie das Seil niemals ganz heraus. Lassen Sie beim Ziehen den Startergriff niemals unvermittelt los. Halten Sie den Startergriff, bis der Startergriff in die ursprüngliche Lage zurückgekehrt ist.



- 5) Aufwärmbetrieb

Setzen Sie den Aufwärmbetrieb für 2 bis 3 Minuten fort.

HINWEIS: Falls zu viel Kraftstoff in den Motor gelangt ist („Absaufen“), schrauben Sie die Zündkerze heraus und ziehen Sie langsam am Startergriff, damit der überflüssige Kraftstoff aus dem Motor austritt. Trocknen Sie außerdem die Elektroden der Zündkerze.

B: Anlaufen nach dem Aufwärmbetrieb

- 1) Drücken Sie die Anlasseinspritzpumpe wiederholt.
- 2) Halten Sie den Gashebel in der Leerlaufposition.
- 3) Ziehen Sie den Seilzugstarter kräftig.
- 4) Falls sich der Motor schwer starten lässt, öffnen Sie den Gashebel um 1/3.

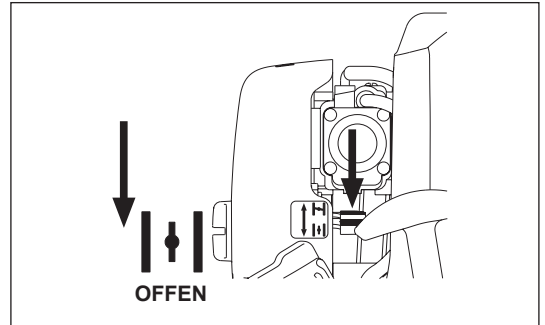
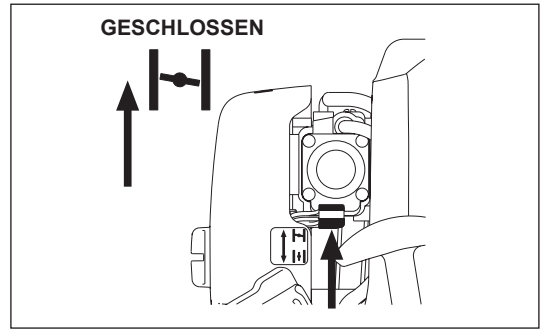
Manchmal, zum Beispiel im Winter, lässt sich der Motor schwer starten

Betätigen Sie beim Starten des Motors den Choke-Hebel wie folgt.

- Stellen Sie nach Ausführen der Schritte 1) bis 3) für den Start den Choke-Hebel auf die Position GESCHLOSSEN.
- Führen Sie Startschritt 4) aus und starten Sie den Motor.
- Stellen Sie nach dem Starten des Motors den Choke-Hebel auf die Position OFFEN.
- Führen Sie Startschritt 5) aus und beenden Sie das Aufwärmen.

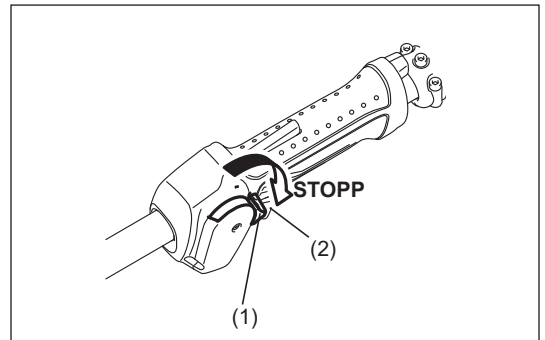
⚠ ACHTUNG: Falls Sie einen Knall (Explosionsgeräusch) hören und der Motor stoppt, oder der soeben gestartete Motor aus geht, bevor Sie den Choke-Hebel betätigen, bringen Sie den Choke-Hebel zurück in die Position OFFEN und ziehen Sie den Startergriff einige weitere Male, um den Motor zu starten.

⚠ ACHTUNG: Falls sich der Choke-Hebel in der Position GESCHLOSSEN befindet, und der Startergriff nun wiederholt gezogen wurde, wird zu viel Kraftstoff angesaugt, und der Motor wird schwer zu starten sein.



STOPPEN

- 1) Lassen Sie den Gashebel (2) vollkommen los, und drücken Sie, wenn sich die Motordrehzahl verlangsamt hat, den I/O-Schalter in die Position STOPP, um den Motor zu stoppen.
- 2) Beachten Sie, dass der Schneidkopf nicht sofort stoppt, und prüfen Sie, ob dieser von selbst langsamer wird.

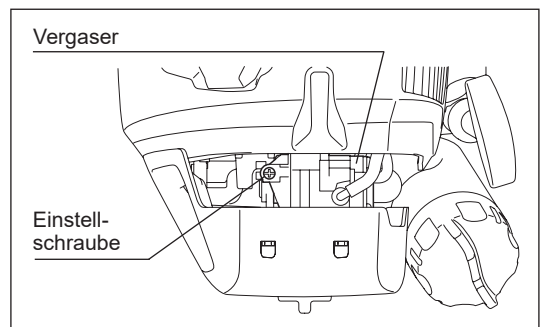


EINSTELLEN DER NIEDRIGEN DREHZAH (LEERLAUF)

Passen Sie die Leerlaufdrehzahl bei Bedarf mit Hilfe der Vergaser-Einstellschraube an.

ÜBERPRÜFEN DER NIEDRIGEN DREHZAH

- Stellen Sie die Leerlaufdrehzahl auf 3.000 min^{-1} ein.
Wenn die niedrige Drehzahl (Leerlaufdrehzahl) nach gestellt werden muss, setzen Sie einen Kreuzschlitz-Schraubendreher auf die rechts dargestellte Schraube auf.
- Drehen Sie die Einstellschraube nach rechts, um die Motordrehzahl zu erhöhen. Drehen Sie die Einstellschraube nach links, um die Motordrehzahl zu verringern.
- Grundsätzlich wurde der Vergaser vor dem Versand eingestellt. Nach dem Verbrauch mehrerer Tankfüllungen an Benzin muss die Leerlaufdrehzahl möglicherweise nachgestellt werden.



DER NYLON-SCHNEIDKOPF

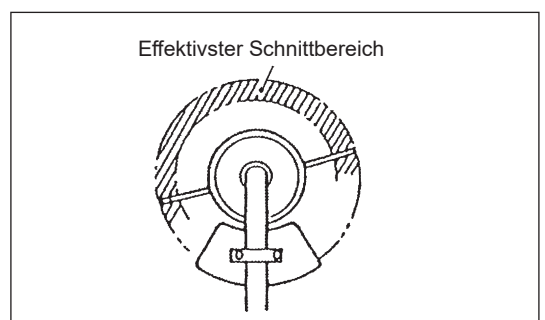
Nutzen Sie während des Betriebs die Spitze des Nylon-Schneidseils zum Schneiden.

Vorschieben des Nylon-Schneidseils

Wenn das Nylon-Schneidseil verschlissen und durch das Schneiden gekürzt ist, muss der Bediener das Seil manuell vorschieben.

Zum Vorschieben des Nylon-Schneidseils tippen Sie den Nylon-Schneidkopf gegen den Boden, während dieser sich mit einer Drehzahl von ca. 6.000 min^{-1} dreht.

HINWEIS: Falls das Nylon-Schneidseil nicht vorgeschoben wird, wickeln Sie es ab.



Ersetzen des Nylonseils

⚠ WARNUNG: Vergewissern Sie sich, dass die Abdeckung des Nylon-Schneidkopfes ordnungsgemäß auf dem Gehäuse gesichert ist (siehe folgende Beschreibung). Bei unsachgemäß gesicherter Abdeckung kann der Nylon-Schneidkopf auseinanderfliegen und schwere Verletzungen verursachen.

Drücken Sie die Laschen am Gehäuse und ziehen Sie die Abdeckung nach oben ab. Entfernen Sie die noch vorhandenen Reste des Nylonseils.

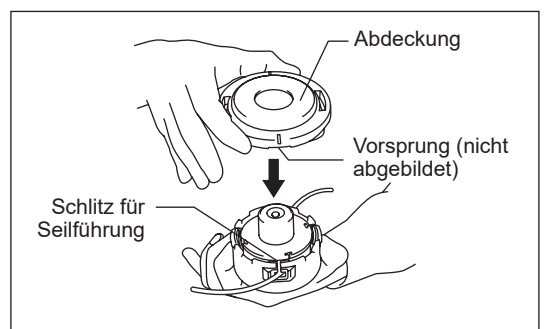
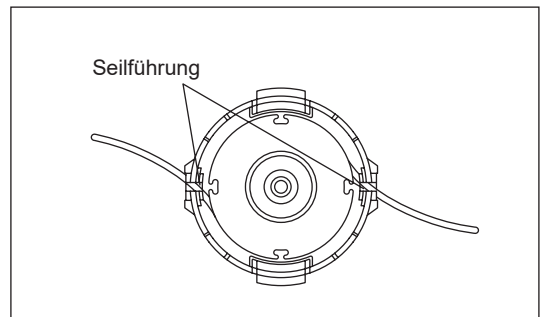
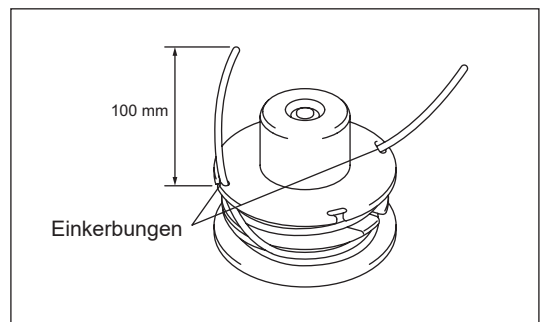
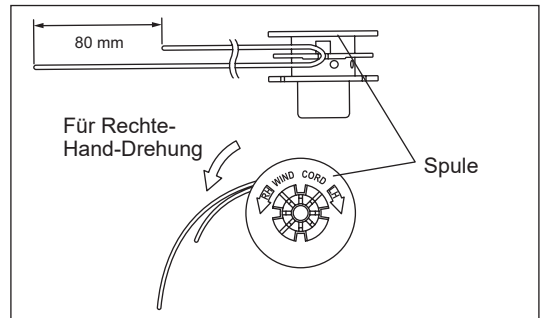
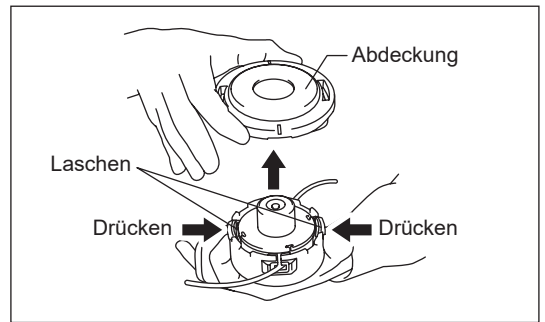
Haken Sie die Mitte des neuen Nylonseils in die Einkerbung in der Mitte der Spule zwischen den 2 Kanälen für das Nylonseil ein. Eine Seite des Seils muss ca. 80 mm länger sein als das andere Ende.

Wickeln Sie beide Enden fest und in Richtung Rechtsdrehung (markiert durch „RH“ auf dem Spulenkopf) um die Spule.

Wickeln Sie etwa 100 mm des Seils um die Spule und lassen Sie die Enden vorübergehend in der Einkerbung an der Seite der Spule eingehängt.

Montieren Sie die Spule in dem Gehäuse, sodass die Kerben und Vorsprünge an der Spule mit denen im Gehäuse übereinstimmen. Haken Sie nun die Enden des Seils aus ihrer vorübergehenden Positionen aus, und führen Sie das Seil durch die Seilführungen, sodass die Seile aus dem Gehäuse herausragen.

Richten Sie den Vorsprung an der Unterseite der Abdeckung an den Schlitzen der Seilführungen aus. Drücken Sie dann die Abdeckung fest auf das Gehäuse. Vergewissern Sie sich, dass die Laschen richtig in der Abdeckung sitzen.



WARTUNGSANWEISUNGEN

⚠ ACHTUNG: Stoppen Sie vor allen Arbeiten am Werkzeug den Motor und ziehen Sie den Zündkerzenstecker von der Zündkerze (siehe „Überprüfen der Zündkerze“).
Tragen Sie immer Schutzhandschuhe!

Führen Sie die folgenden Wartungsarbeiten regelmäßig durch, um eine lange Lebenszeit des Werkzeugs zu erzielen und Beschädigungen am Werkzeug zu vermeiden.

Tägliche Inspektionen und Wartungsarbeiten

- Überprüfen Sie vor dem Betrieb das Werkzeug auf gelockerte Schrauben und fehlende Teile. Achten Sie insbesondere darauf, dass der Nylon-Schneidkopf ordnungsgemäß und fest sitzt.
- Sorgen Sie vor jedem Betrieb dafür, dass die Kühlluftdurchgänge und Zylinderlamellen frei sind. Reinigen Sie diese bei Bedarf.
- Führen Sie die folgenden Wartungsarbeiten täglich nach der Arbeit durch:
 - Reinigen Sie das Werkzeug äußerlich und überprüfen Sie das Werkzeug auf Beschädigungen.
 - Reinigen Sie den Luftfilter. Wenn Sie unter sehr staubigen Bedingungen arbeiten, reinigen Sie den Filter mehrmals am Tag.
 - Untersuchen Sie den Nylon-Schneidkopf auf Beschädigungen und überprüfen Sie den Schneidkopf auf festen Sitz.
 - Prüfen Sie, ob der Unterschied zwischen Leerlauf- und Betriebsdrehzahlen ausreichend ist, sodass das Schneidwerkzeug bei Leerlauf des Motors im Stillstand ist (reduzieren Sie bei Bedarf die Leerlaufdrehzahl).
Falls sich das Werkzeug während des Leerlaufs des Motors weiter dreht, wenden Sie sich an das nächste autorisierte Servicezentrum.
- Prüfen Sie den I/O-Schalter, den Entriegelungshebel, den Gashebel und die Verriegelungstaste auf ordnungsgemäße Funktion.

WECHSELN DES MOTORENÖLS

Durch überaltertes Motorenöl verkürzt sich die Lebenszeit des Motors. Überprüfen Sie Öl und Ölstand regelmäßig.



ACHTUNG: Im Allgemeinen sind der Motorhauptblock und das Motorenöl nach dem unmittelbaren Stopp des Motors noch heiß. Überprüfen Sie vor einem Ölwechsel, ob der Motorhauptblock und das Motorenöl ausreichend abgekühlt sind. Andernfalls besteht Verbrennungsgefahr.

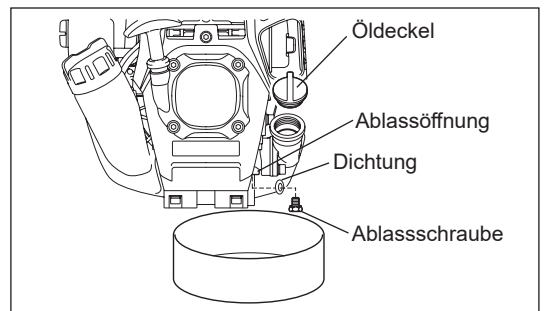
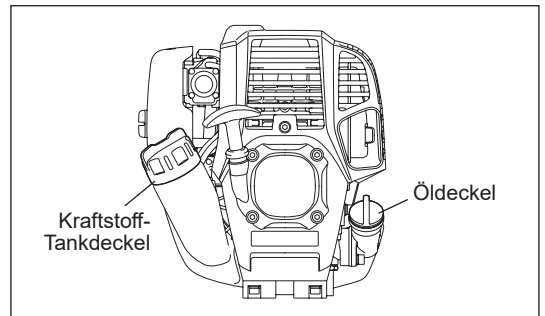
HINWEIS: Falls zu viel Öl eingefüllt wird, kann das Öl verschmutzt werden oder mit weißem Rauch verbrennen.

Intervall für den Ölwechsel: Nach den ersten 20 Betriebsstunden, anschließend nach jeweils 50 Betriebsstunden.

Empfohlenes Öl: SAE 10W-30 Öl der API-Klassifikation, Klasse SF oder höher (Viertaktmotor für Autos)

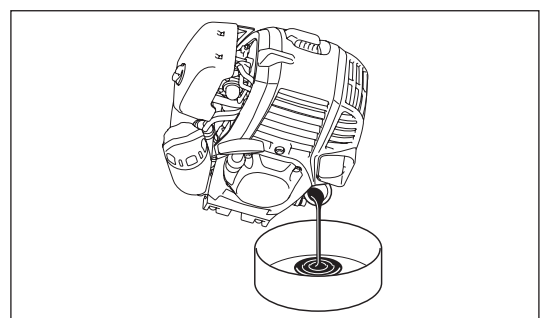
Gehen Sie zum Ölwechsel wie folgt vor.

- 1) Stellen Sie sicher, dass der Kraftstoff-Tankdeckel ordnungsgemäß festgeschraubt ist.
- 2) Stellen Sie einen großen Behälter (Auffangwanne, usw.) unter die Ablassöffnung.
- 3) Entfernen Sie die Ablassschraube und nehmen Sie anschließend den Öldeckel aus der Ablassöffnung, damit das Öl aus der Ablassöffnung fließt. Bewahren Sie die Dichtung der Ablassschraube gut auf und achten Sie darauf, dass die ausgebauten Teile nicht verschmutzen.
- 4) Setzen Sie, nachdem alles Öl abgelassen wurde, Dichtung und Ablassschraube zusammen und ziehen Sie die Ablassschraube fest, so dass sich diese nicht löst und ein Auslaufen von Öl verursacht.
* Wischen Sie mit einem Tuch an der Schraube und am Werkzeug anhaftendes Öl ab.

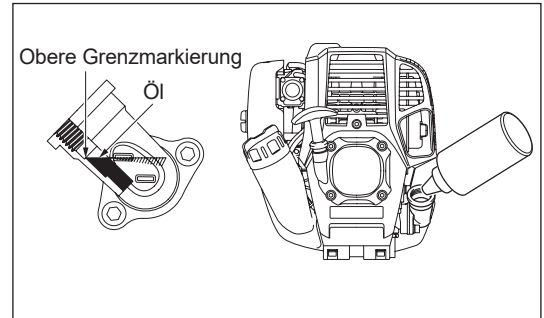
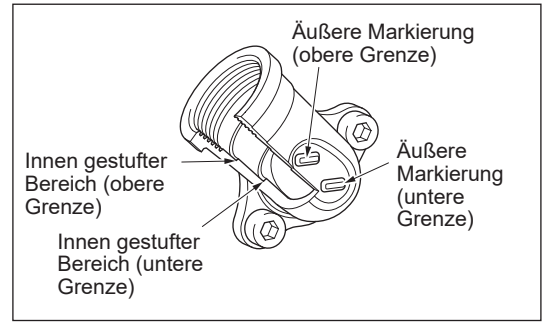


Alternative Ablassmethode

Entfernen Sie den Öldeckel, neigen Sie das Werkzeug in Richtung Ölfüllöffnung, und lassen Sie das Öl ab. Sammeln Sie das Öl in einem Behälter.



- 5) Legen Sie das Werkzeug waagrecht ab und füllen Sie nach und nach neues Öl bis zur oberen Grenzmarkierung nach.
- 6) Ziehen Sie nach dem Auffüllen den Öldeckel fest, so dass sich dieser nicht löst und ein Auslaufen von Öl verursacht.
Falls der Öldeckel nicht sicher festgezogen ist, kann Öl auslaufen.



WICHTIGE PUNKTE ZUM ÖL

- Entsorgen Sie abgelassenes Motorenöl niemals über den Hausmüll, in die Erde oder in Abwassersysteme. Die Altölentsorgung ist gesetzlich geregelt. Halten Sie bei der Entsorgung stets die entsprechenden Gesetze und Bestimmungen ein. Wenden Sie sich bei Unklarheiten an ein autorisiertes Servicezentrum.
- Öl zersetzt sich, auch wenn es nicht verwendet wird. Führen Sie regelmäßig eine Überprüfung und einen Ölwechsel durch (Ölwechsel alle 6 Monate).

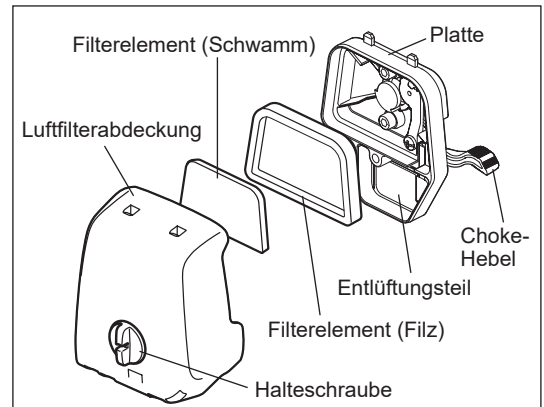
REINIGEN DES LUFTFILTERS



WARNUNG: Schalten Sie den Motor aus, halten Sie den Motor von offenen Flammen fern und rauchen Sie nicht.

Intervall für Reinigung und Inspektion: Täglich (alle 10 Betriebsstunden)

- Drehen Sie den Choke-Hebel vollständig zu, und halten Sie den Vergaser fern von Staub oder Schmutz.
- Lösen Sie die Halteschraube.
- Nehmen Sie die Luftfilterabdeckung ab.
- Entnehmen Sie die Filtereinsätze und klopfen Sie den Staub aus ihnen.
- Falls die Filtereinsätze stark verschmutzt sind:
Entnehmen Sie die Filtereinsätze, tauchen Sie diese in warmes Wasser oder in Wasser mit verdünntem neutralen Reinigungsmittel, und lassen Sie die Filtereinsätze anschließend vollständig trocknen. Drücken und schrubben Sie die Filtereinsätze beim Reinigen nicht.
- Lassen Sie die Filtereinsätze vollständig trocknen, bevor Sie diese wieder einbauen. Bei unzureichender Trocknung der Filtereinsätze können Schwierigkeiten beim Starten des Motors auftreten.
- Wischen Sie anhaftendes Öl um die Luftfilterabdeckung und die Entlüftung mit einem Putzlappen ab.
- Passen Sie das Filterelement (Schwamm) in das andere Filterelement (Filz) ein.
Passen Sie die Filtereinsätze so in die Platte ein, dass der Schwamm zur Luftfilterabdeckung zeigt.
- Bringen Sie die Reinigerabdeckung unverzüglich an, und sichern Sie diese mit Schrauben. (Bringen Sie bei der Wiedermontage zuerst die obere Klemme und dann die untere Klemme wieder an.)



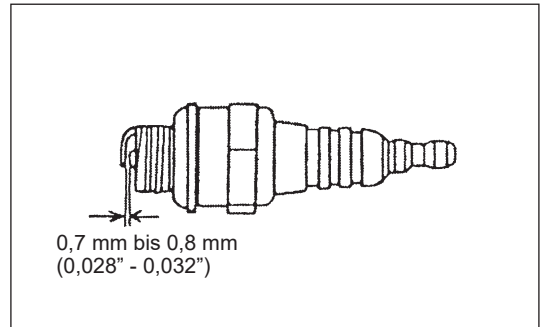
HINWEIS:

- Reinigen Sie die Filtereinsätze mehrere Male am Tag, falls übermäßig Staub anhaftet. Verschmutzte Filtereinsätze führen zum Absinken der Motorleistung und erschweren das Starten des Motors.
- Reinigen Sie die Filtereinsätze von Öl. Falls der Betrieb mit överschmutzten Filtereinsätze fortgesetzt wird, kann Öl aus dem Luftfilter austreten und zu einer Ölverschmutzung führen.
- Legen Sie die Filtereinsätze nicht auf der Erde oder an verschmutzten Stellen ab. Andernfalls können anhaftender Staub oder Schmutz Schäden am Motor verursachen.
- Verwenden Sie zum Reinigen der Filtereinsätze niemals Kraftstoff. Die Filtereinsätze können durch Kraftstoff beschädigt werden.

ÜBERPRÜFEN DER ZÜNDKERZE

- Verwenden Sie nur den mitgelieferten Universalschraubenschlüssel, um die Zündkerze zu entfernen oder einzubauen.
- Der Abstand zwischen den Elektroden der Zündkerze sollte zwischen 0,7 und 0,8 mm liegen. Wenn der Abstand zu klein oder zu groß ist, korrigieren Sie den Abstand. Falls die Zündkerze verschmutzt oder verstopft ist, reinigen Sie diese gründlich oder ersetzen Sie sie.

⚠ ACHTUNG: Berühren Sie den Zündkerzenstecker niemals, wenn der Motor läuft (Gefahr eines Hochspannungsschlags).



REINIGEN DES KRAFTSTOFFFILTERS

⚠ WARNUNG: UMGANG MIT OFFENEN FLAMMEN STRENGSTENS VERBOTEN!

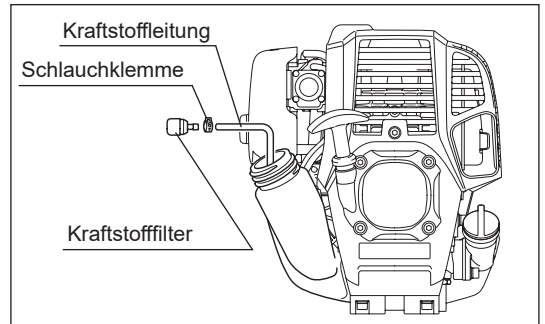
Intervall für Reinigung und Inspektion: Monatlich (alle 50 Betriebsstunden)

Ansaugkopf im Kraftstofftank

Überprüfen Sie den Kraftstofffilter regelmäßig. Führen Sie die unten genannten Schritte aus, um den Kraftstofffilter zu überprüfen:

- (1) Nehmen Sie den Tankdeckel ab und lassen Sie den Kraftstoff ab, bis der Tank leer ist. Überprüfen Sie das Tankinnere auf Fremdkörper. Entfernen Sie diese, falls vorhanden.
- (2) Ziehen Sie mit Hilfe eines Drahthakens den Ansaugkopf durch die Tanköffnung.
- (3) Wenn der Kraftstofffilter leicht verschmutzt ist, reinigen Sie den Kraftstofffilter. Reinigen Sie den Kraftstofffilter, indem Sie ihn in Kraftstoff schütteln und ausklopfen. Drücken oder reiben Sie den Filter nicht, da der Filter dadurch beschädigt werden könnte. Der für das Reinigen verwendete Kraftstoff muss entsprechend der örtlich geltenden Gesetze und Bestimmungen entsorgt werden.
Wenn der Kraftstofffilter verhärtet oder stark verstopft ist, tauschen Sie den Filter aus.
- (4) Drücken Sie den Kraftstofffilter nach dem Überprüfen, Reinigen oder Austauschen bis ganz nach unten in den Kraftstofftank.

Ein verstopfter oder beschädigter Kraftstofffilter kann zu einer unzureichenden Zufuhr von Kraftstoff und zu einem Absinken der Motorleistung führen. Tauschen Sie den Kraftstofffilter mindestens alle 3 Monate aus, damit die Zufuhr von ausreichend Kraftstoff zum Vergaser sichergestellt ist.

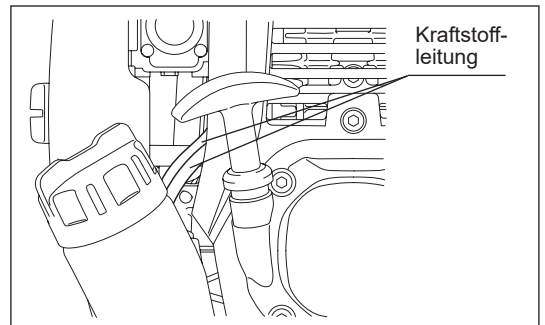


AUSTAUSCHEN DER KRAFTSTOFFLEITUNG

⚠ ACHTUNG: UMGANG MIT OFFENEN FLAMMEN STRENGSTENS VERBOTEN!

Intervall für Reinigung und Inspektion: Täglich (alle 10 Betriebsstunden)
Austausch: Jährlich (alle 200 Betriebsstunden)

Tauschen Sie die Kraftstoffleitung jährlich aus, unabhängig von der Betriebsdauer. Kraftstofflecks können einen Brand verursachen. Falls Sie bei der Inspektion ein Leck entdecken, tauschen Sie die Kraftstoffleitung sofort aus.



INSPEKTION DER BOLZEN, MUTTERN UND SCHRAUBEN

- Ziehen Sie lose Bolzen, Muttern usw. wieder fest.
- Überprüfen Sie, ob Kraftstoffdeckel und Öldeckel fest sitzen. Prüfen Sie auf Kraftstoff- und Öllecks.
- Tauschen Sie beschädigte Teile durch neue aus, damit ein sicherer Betrieb gegeben ist.

REINIGEN DER BAUTEILE

- Halten Sie den Motor stets sauber.
- Halten Sie die Zylinderlamellen und den Lufteinlass frei von Schmutz und Staub. An den Lamellen anhaftender Staub oder Schmutz kann zu Kolbenfressern führen.

AUSTAUSCHEN DER DICHTUNGEN UND VERBINDUNGEN

Stellen Sie beim Zusammenbau des Motors sicher, dass die Dichtungen und Dichtungsmaterialien durch neue ersetzt werden. Alle Wartungsarbeiten oder Einstellungen, die in diesem Handbuch nicht beschrieben wurden, müssen von autorisierten Servicezentren durchgeführt werden.

AUFBEWAHRUNG



WARNUNG: Stellen Sie vor dem Ableiten des Kraftstoffs sicher, dass der Motor gestoppt ist und dass sich der Motor ausreichend abgekühlt hat. Unmittelbar nach dem Stoppen des Motors ist dieser heiß und es besteht Verbrennungs-, Entzündungs- und Feuergefahr.



ACHTUNG: Wenn das Werkzeug für längere Zeit nicht betrieben wird, lassen Sie den gesamten Kraftstoff aus dem Tank und dem Vergaser ab, und lagern Sie das Werkzeug an einem trockenen und sauberen Ort.

- Gehen Sie zum Ablassen des Kraftstoffs aus dem Tank und dem Vergaser wie folgt vor:
 - 1) Entfernen Sie den Kraftstoff-Tankdeckel und lassen Sie den Kraftstoff vollständig ab. Entfernen Sie ggf. im Kraftstofftank zurückbleibende Fremdkörper.
 - 2) Ziehen Sie den Kraftstofffilter mit einem Draht aus dem Nachfüllstutzen.
 - 3) Drücken Sie die Anlasseinspritzpumpe, bis der Kraftstoff von hier abgeleitet wurde und leiten Sie den in den Tank gelangten Kraftstoff aus dem Tank ab.
 - 4) Setzen Sie den Filter wieder in den Kraftstofftank ein und ziehen Sie den Tankdeckel sicher fest.
 - 5) Betreiben Sie das Werkzeug weiter bis es stoppt.
- Entfernen Sie die Zündkerze und geben Sie einige wenige Tropfen Öl in die Zündkerzenöffnung.
- Ziehen Sie anschließend den Startergriff leicht, sodass das Öl die Innenseite des Motors bedeckt und ziehen Sie dann die Zündkerze fest.
- Lagern Sie das Gerät grundsätzlich in waagerechter Position oder mit der Motoreinheit nach unten zeigend. Andernfalls kann enthaltene Motoröl auslaufen. Achten Sie dabei auf einen sicheren Stand des Gerätes, um ein Umfallen und damit Verletzungen und Beschädigungen an Mensch oder Maschine zu vermeiden.
- Bewahren Sie den abgelassenen Kraftstoff in einen speziellen Behälter an einem gut belüfteten und schattigen Platz auf.

Maßnahmen nach einer längeren Lagerung

- Tauschen Sie nach einer längeren Lagerung vor dem Start des Motors das Öl aus (siehe S. 50). Öl zersetzt sich, auch wenn das Werkzeug nicht verwendet wird.

Fehlerposition

Problem	System	Beobachtung	Ursache
Motor startet nicht oder mit Schwierigkeiten	Zündungssystem	Zündfunken OK	Fehler in der Kraftstoffversorgung oder im Verdichtungssystem, mechanischer Defekt
		Kein Zündfunke	STOPP-Schalter betätigt, Verdrahtung fehlerhaft oder kurzgeschlossen, Zündkerze oder Zündkerzenstecker defekt, Zündmodul fehlerhaft
	Kraftstoffzufuhr	Kraftstofftank gefüllt	Falsche Choke-Position, Vergaser defekt, Kraftstoff-Zufuhrleitung verbogen oder blockiert, Kraftstoff verschmutzt
	Verdichtung	Keine Verdichtung beim Durchziehen	Zylinderkopfdichtung defekt, Kurbelwellendichtungen beschädigt, Zylinder oder Kolbenringe defekt oder ungeeignete Dichtung an der Zündkerze
Warmstartprobleme	Mechanischer Fehler	Starter greift nicht ein	Gebrochene Starterfeder, gebrochene Teile innerhalb des Motors
		Tank gefüllt, Zündfunken vorhanden	Vergaser verschmutzt, wurde gereinigt
Motor startet, geht jedoch aus	Kraftstoffzufuhr	Tank gefüllt	Fehlerhafte LeerlaufEinstellung, Vergaser verschmutzt Kraftstoff-Tankentlüftung verstopft, Kraftstoff-Zufuhrleitung unterbrochen, Kabel oder STOPP-Schalter defekt
Unzureichende Leistung	Möglicherweise sind mehrere Systeme gleichzeitig betroffen	Motorleerlauf zu gering	Luftfilter verschmutzt, Vergaser verschmutzt, Schalldämpfer verstopft, Auslasskanal im Zylinder verstopft

Position	Betriebsdauer	Vor Betrieb	Nach Schmierung	Taglich (10 h)	30 h	50 h	200 h	Abschalten / Pause	Siehe Seite
Motorenol	Inspizieren / Reinigen	○							45
	Austauschen					○*1			50
Festziehen von Teilen (Schraube, Mutter)	Inspizieren	○							52
Kraftstofftank	Reinigen / Inspizieren	○							—
	Kraftstoff ablassen							○*3	53
Gashebel	Funktion uberprufen		○						—
Stoppeschalter	Funktion uberprufen		○						48
Schneidwerkzeug	Inspizieren	○		○					44
Leerlaufdrehzahl	Inspizieren / Einstellen			○					48
Luftfilter	Reinigen			○					51
Zundkerze	Inspizieren			○					52
Kuhllufteinlass	Reinigen / Inspizieren			○					52
Kraftstoffleitung	Inspizieren			○					52
	Austauschen						⊙*2		—
Kraftstofffilter	Reinigen / Ersetzen					○			52
Abstand zwischen Lufteinlassventil und Luftauslassventil	Einstellen						⊙*2		—
Motoruberholung							⊙*2		—
Vergaser	Kraftstoff ablassen							○*3	53

*1 Nehmen Sie nach 20 Betriebsstunden den ersten Wechsel vor.

*2 Geben Sie die Inspektion nach 200 Betriebsstunden bei einem autorisierten Servicezentrum oder bei einer Motoren-Fachwerkstatt in Auftrag.

*3 Lassen Sie nach dem Leeren des Kraftstofftanks den Motor laufen, damit auch der Kraftstoff im Vergaser verbraucht wird.

FEHLERSUCHE

Überprüfen Sie ein Problem selbst, bevor Sie eine Reparatur anfordern. Falls eine Abnormalität auftritt, regeln Sie das Werkzeug anhand der Beschreibung in diesem Handbuch. Missbrauchen Sie das Werkzeug nicht und demontieren Sie keine Teile entgegen der Beschreibung. Wenden Sie sich für Reparaturen an ein autorisiertes Servicezentrum oder einen Vertreter vor Ort.

Abnormalitätsstatus	Mögliche Ursache (Fehlfunktion)	Abhilfe
Motor startet nicht	Anlasseinspritzpumpe nicht betätigt	Drücken Sie die Pumpe 7 bis 10 Mal
	Niedrige Ziehgeschwindigkeit des Starterseils	Ziehen Sie kräftig
	Kraftstoffmangel	Führen Sie Kraftstoff zu
	Verstopfter Kraftstofffilter	Reinigen
	Gebrochene Kraftstoffleitung	Begradigen Sie die Kraftstoffleitung
	Zersetzter Kraftstoff	Überalterter Kraftstoff erschwert das Starten. Ersetzen Sie den Kraftstoff durch neuen. (Empfohlenes Austauschintervall: 1 Monat)
	Zündkerzenstecker gelöst	Setzen Sie den Kerzenstecker fest auf
	Verschmutzte Zündkerze	Reinigen Sie die Zündkerze
	Abnormaler Abstand der Zündkerzenelektroden	Stellen Sie den Abstand ein
	Andere Abnormalität der Zündkerze	Setzen Sie eine neue Zündkerze ein
	Abnormaler Vergaser	Fordern Sie eine Inspektion und Wartung an.
	Starterseil kann nicht gezogen werden	Fordern Sie eine Inspektion und Wartung an.
	Abnormales Antriebssystem	Fordern Sie eine Inspektion und Wartung an.
Motor stoppt gleich Motordrehzahl erhöht sich nicht	Unzureichendes Aufwärmen	Führen Sie einen Aufwärmbetrieb durch
	Choke-Hebel ist auf „GESCHLOSSEN“ eingestellt, obwohl der Motor vorgewärmt wurde.	Stellen Sie den Hebel auf „OFFEN“ ein
	Verstopfter Kraftstofffilter	Reinigen oder Ersetzen
	Verschmutzter oder verstopfter Luftfilter	Reinigen Sie den Filter
	Abnormaler Vergaser	Fordern Sie eine Inspektion und Wartung an.
	Abnormales Antriebssystem	Fordern Sie eine Inspektion und Wartung an.
Das Schneidwerkzeug dreht sich nicht. ↓ Motor stoppt sofort	Das Schneidwerkzeug ist nicht ordnungsgemäß festgezogen.	Ziehen Sie das Schneidwerkzeug fest.
	Ein Zweig hat sich zwischen dem Schneidwerkzeug und dem Schutz verfangen.	Entfernen Sie die Fremdkörper.
	Das Antriebssystem arbeitet nicht korrekt.	Wenden Sie sich zwecks Inspektion und Reparatur an Ihr autorisiertes Makita Servicecenter.
Das Werkzeug vibriert unnormal. ↓ Motor stoppt sofort	Das Schneidwerkzeug ist defekt.	Ersetzen Sie das Schneidwerkzeug durch ein neues.
	Das Schneidwerkzeug ist nicht ordnungsgemäß festgezogen.	Ziehen Sie das Schneidwerkzeug fest.
	Ein Ende des Nylonseils ist zerrissen, wodurch der Nylon-Schneidkopf eine Unwucht aufweist.	Schieben Sie das Nylon-Schneidseil durch Tippen des Nylon-Schneidkopfes auf den Boden nach.
	Das Antriebssystem arbeitet nicht korrekt.	Wenden Sie sich zwecks Inspektion und Reparatur an Ihr autorisiertes Makita Servicecenter.
Das Schneidwerkzeug stoppt nicht. ↓ Motor stoppt sofort	Der Antrieb arbeitet nicht korrekt.	Siehe Betriebsanleitung zum Antrieb.
Motor stoppt nicht ↓ Betreiben Sie den Motor im Leerlauf und stellen Sie den Choke-Hebel auf GESCHLOSSEN ein.	Abgetrennter Steckverbinder	Schließen Sie den Steckverbinder an
	Abnormales Elektriksystem	Fordern Sie eine Inspektion und Wartung an.
Das Nylon-Schneidseil wird nicht nachgeschoben.	Das Seil ist aufgebraucht oder in der Spule verwickelt.	Wickeln Sie das Seil ab.
	Das Nylon-Schneidseil ist nicht auf der richtigen Länge abgeschnitten.	Wenden Sie sich zum Austauschen des Seilschneiders an Ihr autorisiertes Makita Servicecenter.
	Das Seil ist länger als der Schutz.	Wickeln Sie das Seil auf.

Wenn der Motor nach dem Aufwärmen nicht startet:

Falls bei den überprüften Elementen eine Abnormalität auftritt, öffnen Sie den Gashebel um 1/3 und starten Sie den Motor.

Complimenti per l'acquisto del presente utensile MAKITA per l'uso all'aperto. Siamo lieti di consigliare ai clienti questo prodotto MAKITA, frutto di un lungo programma di sviluppo e di numerosi anni di esperienza e conoscenza. Il presente opuscolo contiene riferimenti dettagliati alle diverse caratteristiche che ne dimostrano le eccellenti prestazioni. In questo modo sarà possibile ottenere i migliori risultati possibili dal prodotto MAKITA.



Indice	Pagina
Simboli.....	56
Istruzioni per la sicurezza.....	57
Dati tecnici.....	60
Denominazione dei componenti.....	61
Montaggio dell'impugnatura.....	62
Montaggio del dispositivo di protezione.....	62
Montaggio della testina di taglio in nylon.....	62
Prima dell'avviamento.....	63
Informazioni sul funzionamento e sullo spegnimento.....	65
La testina di taglio in nylon.....	66
Istruzioni per la manutenzione.....	68
Stoccaggio.....	71

SIMBOLI

Nel manuale di istruzioni sono utilizzati i simboli riportati di seguito.

	Leggere il manuale di istruzioni e attenersi alle avvertenze e alle precauzioni per la sicurezza		Indossare il casco di protezione e i dispositivi di protezione per occhi e orecchie.
	Prestare particolare cura e attenzione.		Velocità massima ammessa dell'utensile max 10000min ⁻¹
	Vietato		Carburante (benzina)
	Mantenere la distanza di sicurezza		Avviamento manuale del motore
	Pericolo di oggetti scagliati		Arresto di emergenza
	Vietato fumare		Pronto soccorso
	Divieto di fiamme libere		ACCENSIONE/AVVIAMENTO
	Indossare i guanti di protezione		SPEGNIMENTO/ARRESTO
	Indossare calzature pesanti con soles antiscivolo. Si consiglia l'uso di stivali con puntale in metallo.		Non utilizzare lame in metallo
	Allontanare persone e animali domestici dalla zona di lavoro.		

ISTRUZIONI PER LA SICUREZZA

Istruzioni generali

- È consigliabile leggere il presente manuale di istruzioni per acquisire familiarità con l'utensile. Gli operatori non informati possono mettere in pericolo se stessi e altre persone a seguito di un uso improprio.
- Si consiglia di concedere in prestito l'utensile solo a persone di comprovata esperienza. Consegnare sempre anche il manuale di istruzioni.
- Gli operatori alle prime armi devono richiedere le istruzioni di base al rivenditore per familiarizzare con l'utilizzo dei tagliabordi.
- L'uso dell'utensile non deve essere consentito ai bambini o comunque alle persone di età inferiore a 18 anni. Alle persone con almeno 16 anni può tuttavia essere consentito l'uso dell'utensile per scopi di addestramento, sempre sotto la supervisione di un istruttore qualificato.
- Utilizzare con la massima cura e attenzione.
- L'utensile deve essere azionato solo da persone in buone condizioni fisiche. Eseguire tutto il lavoro con calma e attenzione. L'utente si assume la responsabilità anche delle altre persone.
- Non utilizzare l'utensile dopo l'assunzione di alcol o droghe, né se ci si sente stanchi o indisposti.
- Le normative nazionali possono fissare limiti all'uso dell'utensile.

Uso previsto dell'utensile

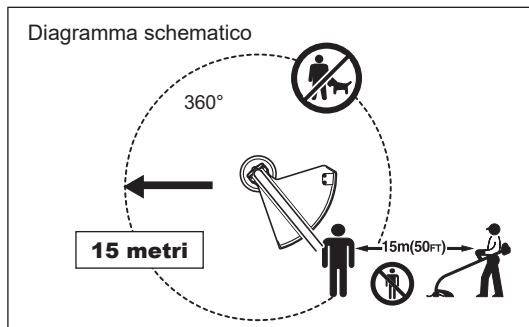
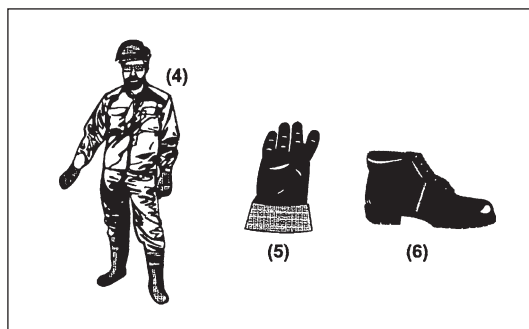
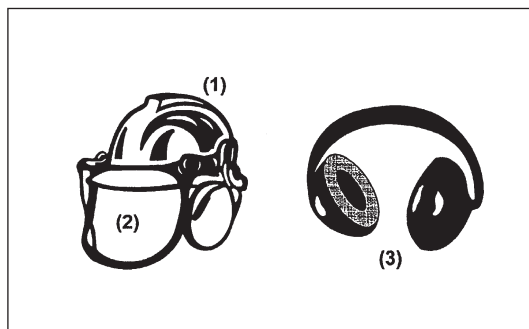
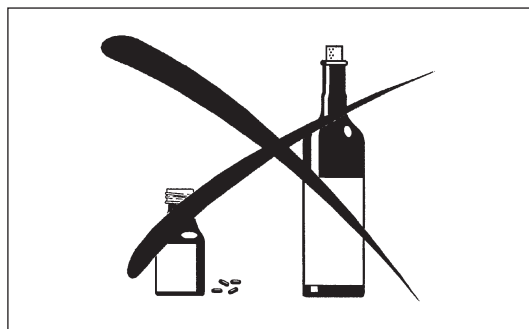
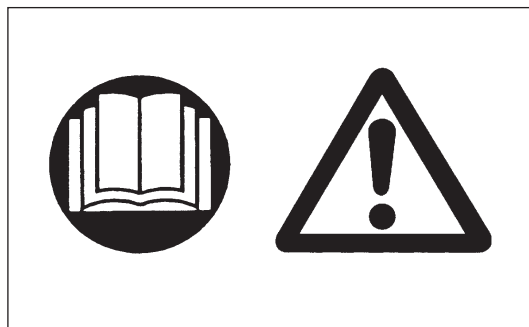
- L'utensile è destinato esclusivamente al taglio di erba ed erbacce. Non deve essere utilizzato per alcun altro scopo, ad esempio la rifinitura di bordi o la potatura di siepi, in quanto potrebbero verificarsi danni alla persona.

Dispositivi di protezione personali

- L'abbigliamento deve essere funzionale e adeguato, vale a dire aderente ma non di ostacolo. Non indossare gioielli o abiti che possono rimanere impigliati in cespugli o arbusti.
- Per evitare danni al capo, agli occhi, alle mani o ai piedi, nonché per proteggere l'udito, è indispensabile indossare i seguenti dispositivi e indumenti protettivi durante il lavoro.
- Indossare sempre un casco se esiste il pericolo di caduta di oggetti. Il casco di protezione (1) deve essere controllato periodicamente per verificare la presenza di danni e deve essere sostituito al più tardi ogni 5 anni. Utilizzare solo caschi di protezione omologati.
- La visiera (2) del casco (o gli occhiali di protezione) protegge il volto da detriti e sassi scagliati. Per evitare danni alla vista è fondamentale indossare sempre gli occhiali di protezione o una visiera durante il lavoro.
- Indossare dispositivi di protezione acustica adeguati per evitare danni all'udito (cuffie isolanti (3), tappi per le orecchie e così via).
- La tuta da lavoro integrale (4) protegge da pietre e detriti scagliati dall'utensile. Si consiglia fortemente di indossare una tuta da lavoro integrale.
- I guanti (5) sono parte dell'equipaggiamento prescritto e devono sempre essere indossati durante il lavoro.
- Indossare sempre calzature pesanti (6) con suola antiscivolo durante l'uso dell'utensile. Consentono la protezione dagli infortuni e garantiscono la corretta stabilità.

Avviamento del tagliabordi a benzina

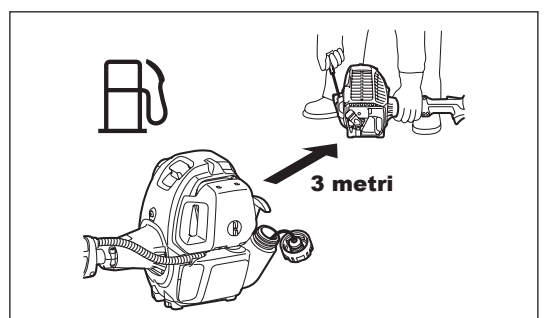
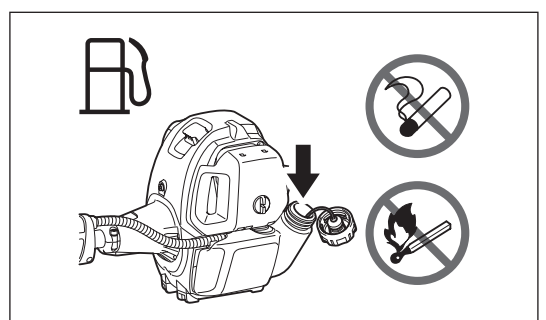
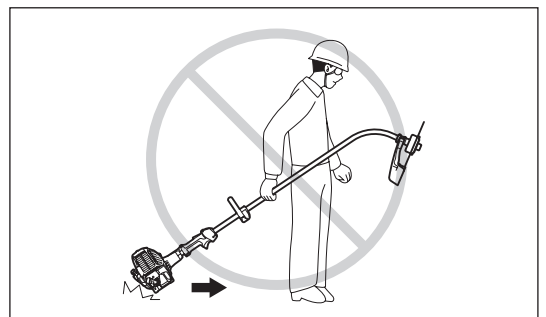
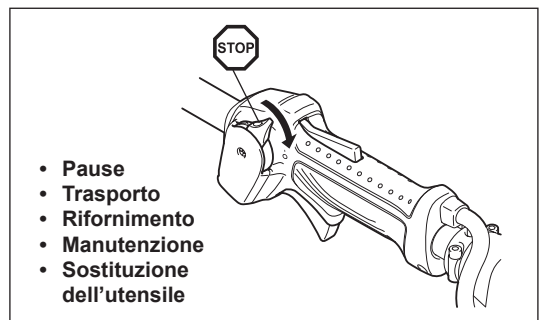
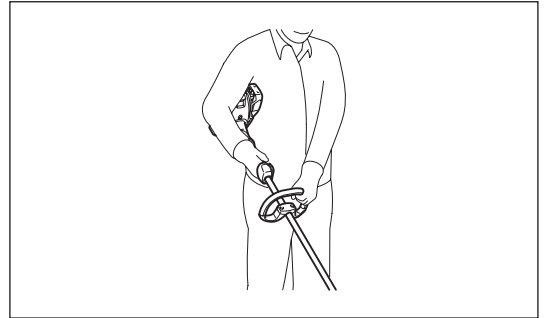
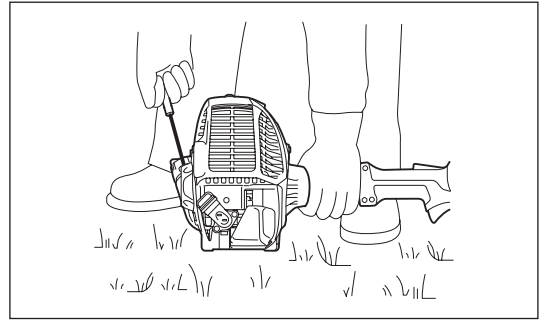
- Assicurarsi che non vi siano bambini o altre persone in un raggio di 15 m dal luogo di lavoro; prestare attenzione anche alla presenza di animali.
- Prima dell'uso, verificare sempre che l'apparecchio non presenti fattori di rischio per la sicurezza: Verificare la sicurezza dell'accessorio di taglio, quindi controllare che la leva dell'acceleratore possa essere azionata facilmente e che la relativa sicura funzioni correttamente.
- L'accessorio di taglio non deve ruotare quando il motore è al minimo. In caso di dubbi, rivolgersi al rivenditore per la regolazione. Controllare che le impugnature siano pulite e asciutte, quindi verificare la funzionalità dell'interruttore di avviamento e arresto.



- Avviare il tagliabordi a benzina nel pieno rispetto delle istruzioni.
- Non utilizzare altri metodi per avviare il motore.
- Utilizzare il tagliabordi a benzina e gli utensili solo per le operazioni specificate.
- Avviare il motore solo dopo aver montato interamente l'utensile. Il funzionamento del dispositivo è consentito solo dopo il montaggio di tutti gli accessori appropriati.
- Prima dell'avviamento, assicurarsi che l'accessorio di taglio non sia a contatto con corpi rigidi quali rami, pietre e così via, in quanto l'accessorio inizierà a ruotare subito dopo l'avviamento.
- Il motore deve essere spento immediatamente in caso di problemi del motore.
- Nel caso in cui l'accessorio di taglio colpisca pietre o altri corpi rigidi, è necessario spegnere immediatamente il motore e ispezionare l'accessorio.
- Controllare regolarmente la presenza di danni sull'accessorio di taglio (per rilevare eventuali crepe è sufficiente picchiettare leggermente).
- Se l'utensile cade o subisce un impatto violento, verificarne le condizioni prima di proseguire il lavoro. Verificare che l'impianto di alimentazione del carburante sia privo di perdite e che i dispositivi di sicurezza funzionino correttamente. In caso di danni o dubbi, richiedere l'ispezione e la riparazione presso il nostro centro di assistenza autorizzato.
- Durante l'uso, tenere sempre il tagliabordi a benzina con entrambe le mani. Non tenere mai il tagliabordi a benzina con una sola mano. Assicurarsi sempre di avere una buona presa a terra.
- Utilizzare l'utensile in maniera tale da evitare l'inalazione dei gas di scarico. Non azionare mai il motore in ambienti chiusi (pericolo di avvelenamento da gas). Il monossido di carbonio è un gas inodore.
- Spegnere il motore durante le pause o quando si lascia incustodito l'utensile, riponendolo in un luogo sicuro per impedire danni ad altre persone o all'utensile stesso.
- Non appoggiare il tagliabordi a benzina ancora caldo sull'erba secca o su materiali combustibili.
- Installare sempre la guardia dell'accessorio da taglio approvata sull'utensile stesso prima di avviare il motore. In caso contrario, il contatto con l'accessorio da taglio può provocare gravi lesioni personali.
- Durante il lavoro devono essere utilizzate tutti i dispositivi di protezione forniti con l'utensile.
- Non avviare il motore se la marmitta è difettosa.
- Spegnere il motore durante il trasporto.
- Verificare che l'utensile rimanga in una posizione sicura durante il trasporto in auto, onde evitare perdite di carburante.
- Durante il trasporto, assicurarsi che il serbatoio del carburante sia completamente vuoto.
- Durante l'operazione di scarico dell'utensile dall'autocarro, non lasciar cadere a terra il motore onde evitare gravi danni al serbatoio del carburante.
- Tranne che in caso di emergenza, non lasciar cadere o gettare l'utensile a terra: potrebbe danneggiarsi gravemente.
- Per spostare l'utensile è necessario sollevarlo sempre completamente dal suolo. Il trascinarsi del serbatoio del carburante è molto pericoloso e può causare danni o perdite di carburante, con conseguente pericolo di incendio.

Rifornimento

- Durante il rifornimento è fondamentale spegnere il motore, tenersi lontani dalle fiamme libere e non fumare.
- Evitare il contatto dei prodotti a base di oli minerali con la cute. Non inalare i vapori del carburante. Indossare sempre i guanti di protezione durante il rifornimento. Sostituire e pulire l'abbigliamento protettivo a intervalli regolari.
- Prestare attenzione a non lasciar fuoriuscire il carburante o l'olio, onde evitare la contaminazione del terreno (protezione dell'ambiente). Pulire immediatamente il tagliabordi a benzina in caso di fuoriuscite di carburante.
- Evitare il contatto del carburante con i capi di vestiario. Cambiarsi immediatamente in caso di contatto con il carburante (per evitare che gli abiti prendano fuoco).
- Controllare regolarmente il tappo del serbatoio del carburante per assicurarsi che sia correttamente serrato e che non perda.
- Serrare con cura il tappo del serbatoio del carburante. Cambiare luogo per avviare il motore (almeno 3 metri dal punto di rifornimento).
- Non effettuare il rifornimento in ambienti chiusi. I vapori del carburante si accumulano a livello del terreno (pericolo di esplosioni).
- Trasportare e conservare il carburante solo in contenitori omologati. Assicurarsi che il carburante riposto non sia accessibile ai bambini.



Modalità di funzionamento

- Utilizzare l'utensile solo in buone condizioni di illuminazione e visibilità. Durante la stagione invernale prestare attenzione alle aree scivolose o umide, al ghiaccio e alla neve (pericolo di scivolamento). Verificare sempre di avere un buon equilibrio.
- Non eseguire tagli a un'altezza superiore a quella della vita.
- Non utilizzare l'utensile da una scala.
- Non arrampicarsi sugli alberi per eseguire l'operazione di taglio.
- Non lavorare su superfici instabili.
- Rimuovere sabbia, pietre, chiodi, ecc. dall'area di lavoro.
- Prima del taglio è necessario che l'accessorio di taglio abbia raggiunto la massima velocità operativa.
- Far oscillare il tagliabordi a benzina in maniera uniforme. Se erba o sterpaglie restano impigliate tra l'accessorio da taglio e la guardia, arrestare sempre il motore prima di effettuare la pulizia. In caso contrario, una rotazione involontaria dell'accessorio può causare gravi lesioni personali.
- Riposarsi spesso per evitare la perdita di controllo causata dall'affaticamento. Si consiglia di fare una pausa di 10-20 minuti ogni ora.



Accessori di taglio

- Non utilizzare altri tipi di lame metalliche, comprese catene metalliche componibili con perno e lame con flagelli. In caso contrario, il contatto con la lama può causare gravi danni alla persona.

Vibrazione

- Se esposti a vibrazioni eccessive, gli operatori che soffrono di insufficienza venosa possono riportare danni ai vasi sanguigni o al sistema nervoso. Le vibrazioni possono causare i seguenti sintomi alle dita, alle mani o ai polsi: sonnolenza (torpore), formicolio, dolore, fitte acute, alterazione della pelle o del colorito. Consultare un medico non appena si manifestano tali sintomi.
- Per ridurre il rischio di "sindrome delle dita bianche da vibrazione", tenere le mani al caldo durante l'uso dell'utensile e mantenere l'utensile e gli accessori in buone condizioni.



Istruzioni per la manutenzione

- Per l'assistenza, rivolgersi al nostro centro servizi autorizzato utilizzando solo parti di ricambio originali. Una riparazione errata o una manutenzione insufficiente possono accorciare la vita utile dell'utensile, aumentando il rischio di incidenti.
- Verificare le condizioni dell'utensile, in particolare dell'accessorio di taglio e dei dispositivi di protezione, prima di iniziare il lavoro.
- Spegner il motore e staccare la candela per sostituire l'accessorio di taglio e per pulire l'utensile da taglio o l'accessorio di taglio stesso.
- Prestare attenzione all'ambiente. Evitare di azionare inutilmente l'acceleratore al fine di ridurre l'inquinamento e le emissioni acustiche. Regolare correttamente il carburatore.
- Pulire regolarmente l'utensile e controllare che tutte le viti e i dadi siano correttamente serrati.
- Non riporre l'utensile e non effettuare la manutenzione in prossimità di fiamme libere.
- Conservare sempre l'utensile in ambienti chiusi a chiave e dopo aver svuotato il serbatoio del carburante.



Rispettare le istruzioni di prevenzione degli incidenti fornite dalle associazioni di categoria e dalle compagnie di assicurazioni. Non apportare modifiche all'utensile, onde evitare di mettere a repentaglio la propria sicurezza.

Le attività di manutenzione o di riparazione a carico dell'operatore sono limitate a quelle descritte nel presente manuale di istruzioni. Qualsiasi altra operazione deve essere eseguita da un rappresentante autorizzato dell'assistenza. Utilizzare esclusivamente ricambi e accessori originali forniti da MAKITA.

L'uso di accessori e utensili non approvati può aumentare il pericolo di incidenti.

MAKITA declina ogni responsabilità per danni o incidenti causati dall'uso di accessori di taglio e relativi dispositivi di fissaggio non approvati.

Pronto soccorso

Assicurarsi che nelle vicinanze del luogo di lavoro sia disponibile una cassetta di pronto soccorso, necessaria qualora si verificano infortuni. Sostituire immediatamente qualunque articolo prelevato dalla cassetta di pronto soccorso.

Nel momento in cui si richiede assistenza è indispensabile fornire le seguenti informazioni:

- Luogo dell'incidente
- Che cosa è accaduto
- Numero di persone coinvolte
- Tipo di infortuni
- Nome e cognome



DATI TECNICI ER2650LH

Modello		ER2650LH	
Tipo di impugnatura		Impugnatura ad anello	
Dimensioni: lunghezza × larghezza × altezza (senza accessorio di taglio) mm		1.621 × 310 × 479	
Diametro di taglio mm		412	
Peso (senza protezione in plastica e accessorio di taglio) kg		4,8	
Volume (serbatoio del carburante) l		0,6	
Volume (serbatoio dell'olio) l		0,08	
Cilindrata del motore cm ³		25,4	
Prestazioni massime del motore kW		0,77 a 7.000 min ⁻¹	
Regime del motore alla velocità massima consigliata del mandrino min ⁻¹		10.000	
Massima frequenza di rotazione del mandrino min ⁻¹		7.900	
Velocità al minimo min ⁻¹		3.000	
Velocità di innesto della frizione min ⁻¹		3.900	
Carburatore		Tipo di diaframma	
Sistema di iniezione		Tipo di magneti senza contatto	
Candela tipo		NGK CMR4A	
Distanza tra gli elettrodi mm		0,7 - 0,8	
Vibrazioni in base a ISO 22867	Impugnatura destra (punto di presa posteriore)	a _{hv eq} m/s ²	8,2
		Variazione (K) m/s ²	0,9
	Impugnatura sinistra (punto di presa anteriore)	a _{hv eq} m/s ²	5,0
		Variazione (K) m/s ²	1,7
Livello di pressione sonora medio in base a ISO 22868	L _{PA eq} dBA	97,5	
	Variazione (K) dBA	1,8	
Livello di potenza sonora medio in base a ISO 22868	L _{WA eq} dBA	107,3	
	Variazione (K) dBA	2,5	
Carburante		Benzina per automobili	
Olio motore		Olio classificazione API, classe SF o superiore, oppure SAE 10W-30 (olio motore a quattro tempi per automobili)	

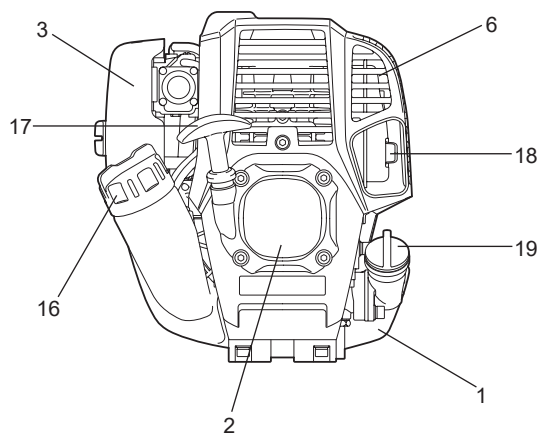
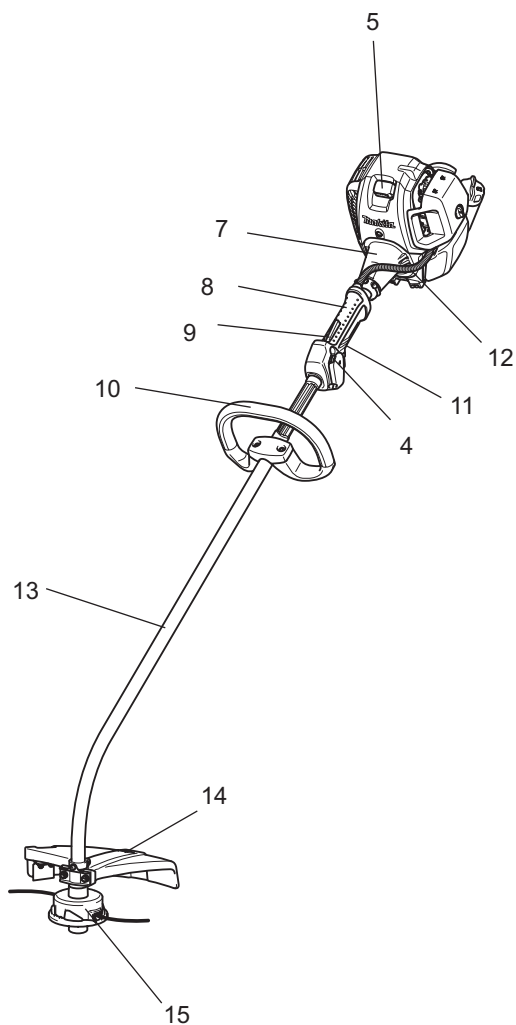
Solo per i paesi europei

Dichiarazione di conformità CE

La dichiarazione di conformità CE è inclusa nell'Allegato A di questo manuale di istruzioni.

DENOMINAZIONE DEI COMPONENTI

ER2650LH



IT	DENOMINAZIONE DEI COMPONENTI
1	Serbatoio del carburante
2	Avviamento con autoavvolgente
3	Filtro dell'aria
4	Interruttore I-O (accensione/spegnimento)
5	Candela
6	Marmitta
7	Scatola della frizione
8	Punto di presa posteriore
9	Sicura di accensione
10	Impugnatura
11	Leva dell'acceleratore
12	Cavo di comando
13	Albero
14	Dispositivo di protezione (guardia dell'accessorio da taglio)
15	Testina di taglio in nylon
16	Tappo del bocchettone di riempimento
17	Manopola di avviamento
18	Tubo di scarico
19	Tappo dell'olio

MONTAGGIO DELL'IMPUGNATURA

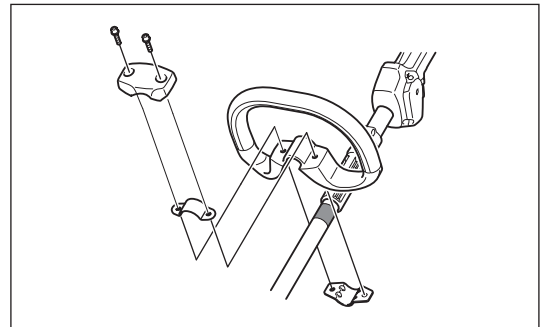
⚠ ATTENZIONE: Prima di effettuare qualunque operazione sull'utensile è fondamentale spegnere il motore e staccare la candela. Indossare sempre i guanti di protezione.

⚠ ATTENZIONE: Avviare il motore solo dopo aver montato interamente l'utensile.

Per gli utensili con impugnatura ad anello

- Fissare l'impugnatura ad anello all'albero, come mostrato nella figura.
- Assicurarsi che il distanziatore sull'albero sia posizionato tra le due impugnature. Non rimuovere o accorciare il distanziatore.

NOTA: In alcuni paesi, il distanziatore non è fornito in dotazione con l'utensile. In tal caso, posizionare l'impugnatura all'estremità della linea in corrispondenza dei simboli delle frecce.



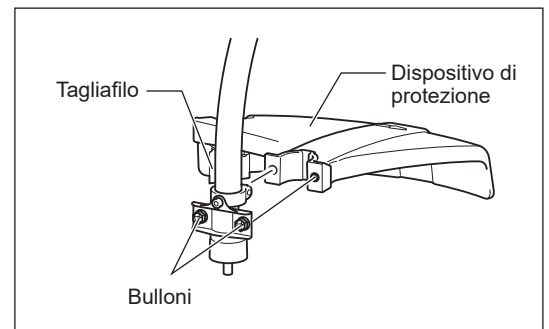
MONTAGGIO DEL DISPOSITIVO DI PROTEZIONE

Per soddisfare le vigenti normative sulla sicurezza occorre utilizzare esclusivamente le combinazioni utensile/dispositivo di protezione indicate nella tabella.

⚠ ATTENZIONE: Non toccare il tagliafilo sul dispositivo di protezione. Il contatto delle mani nude con il tagliafilo potrebbe causare danni alla persona.

Il dispositivo di protezione deve essere installato per mantenere la lunghezza del filo di taglio in nylon e per proteggere l'operatore da pietre e detriti scagliati dall'utensile. Procedere come segue per montare il dispositivo di protezione.

1. Posizionare il dispositivo di protezione in modo che la costa sull'albero penetri nella scanalatura sul dispositivo di protezione.
2. Serrare due bulloni.



MONTAGGIO DELLA TESTINA DI TAGLIO IN NYLON

⚠ AVVERTENZA: Non utilizzare lame di taglio.

Utilizzare esclusivamente testine di taglio in nylon originali MAKITA.

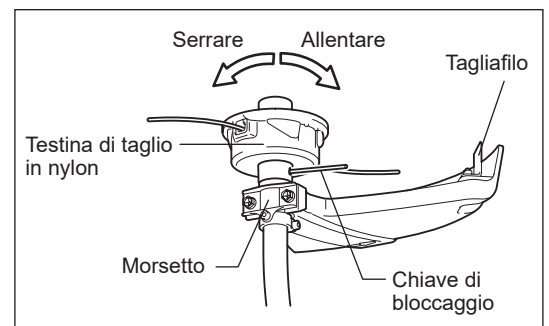
- Se la testina di taglio in nylon colpisce una pietra durante il lavoro è indispensabile spegnere il motore e controllare subito la testina di taglio in nylon.

⚠ ATTENZIONE: Non toccare il tagliafilo sul dispositivo di protezione. Il contatto delle mani nude con il tagliafilo potrebbe causare danni alla persona.

Procedere come segue per montare una testina di taglio in nylon.

1. Inserire la chiave di bloccaggio nel foro sul morsetto. Effettuare una rotazione premendo la chiave di bloccaggio fino a bloccare la rondella.
2. Avvitare una testina di taglio in nylon sull'albero ruotandola in senso orario. Assicurarsi che il montaggio sia ben saldo.
3. Rimuovere la chiave di bloccaggio.

Per rimuovere la testina di taglio in nylon è sufficiente ruotarla in senso antiorario.



PRIMA DELL'AVVIAMENTO

Ispezione e rabbocco dell'olio motore

- Effettuare la seguente procedura a motore freddo.
 - Posizionare il motore in piano, rimuovere il tappo dell'olio (Fig. 1) e verificare che il livello dell'olio sia compreso tra gli indicatori di limite superiore e inferiore del tubo dell'olio (Fig. 2).
 - Rabboccare l'olio fino all'indicatore di limite superiore, se l'olio è insufficiente (vicino all'indicatore di limite inferiore) (Fig. 3).
 - L'area che circonda gli indicatori esterni è trasparente, pertanto è possibile controllare la quantità d'olio all'interno senza dover rimuovere il tappo dell'olio. Tuttavia, la visibilità potrebbe essere compromessa se il tubo dell'olio è particolarmente sporco; in questo caso occorre controllare il livello dell'olio utilizzando la sezione a gradini all'interno del tubo.
 - Il tempo indicativo di rabbocco dell'olio è pari a circa 10 ore (prima che sia necessario rabboccare l'olio occorre effettuare 10 volte il rifornimento di benzina).
- Sostituire l'olio se cambia colore o viene a contatto con della sporcizia. Per informazioni sull'intervallo e sul metodo di sostituzione, vedere a P 68.

Olio consigliato: Olio SAE 10W-30 di classificazione API, classe SF o superiore (motore a quattro tempi per automobili)

Volume dell'olio: Circa 0,08 l

NOTA: Se il motore non viene tenuto in posizione verticale, l'olio potrebbe accumularsi e ristagnare in altre parti del motore. L'indicatore del livello dell'olio potrebbe fornire una lettura errata del livello.
Non rifornire di olio se il motore non è in posizione verticale. Se l'olio viene rabboccato oltre il limite, potrebbero verificarsi contaminazioni o incendi che producono fumo bianco.

Punto 1 della sostituzione dell'olio: "Tappo dell'olio"

- Rimuovere la polvere e la sporcizia in prossimità del bocchettone di rifornimento dell'olio, quindi rimuovere il tappo dell'olio.
- Evitare il contatto del tappo dell'olio rimosso con sabbia o polvere. Diversamente, la sabbia o la polvere che hanno aderito al tappo dell'olio possono provocare una circolazione irregolare dell'olio o determinare l'usura delle parti del motore, con conseguenti problemi.

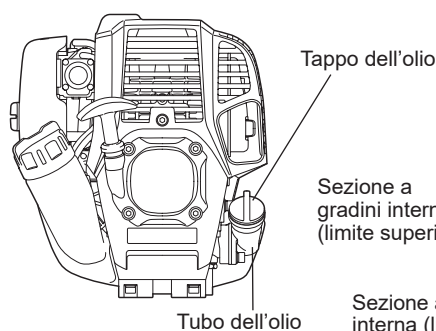


Fig. 1

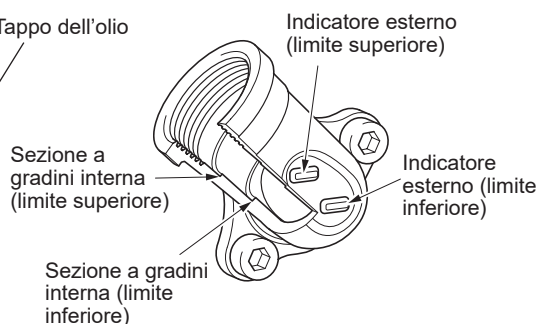


Fig. 2 Tubo dell'olio

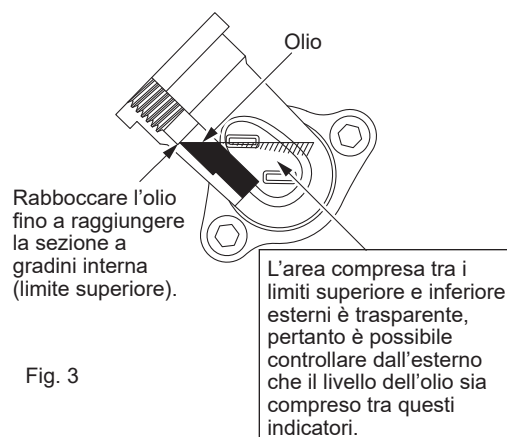
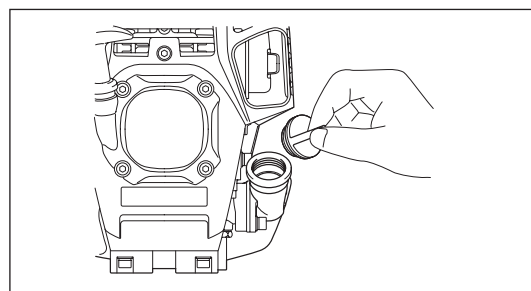
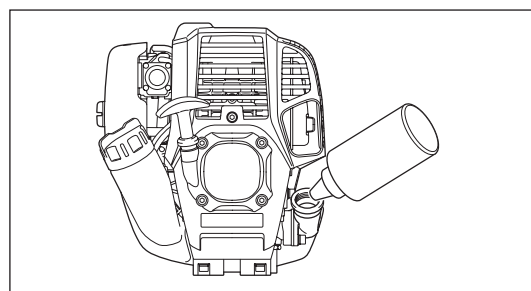


Fig. 3

(1) Rimuovere il tappo dell'olio mantenendo il motore in piano.



(2) Rabboccare con olio fino all'indicatore di limite superiore (vedere la Fig. 3). Utilizzare il flacone dell'olio per il rifornimento.



(3) Serrare il tappo dell'olio. Un serraggio insufficiente può causare perdite d'olio.

Nota

- Non sostituire l'olio se il motore è in posizione inclinata.
- Il rabbocco effettuato con il motore inclinato può portare a un eccessivo riempimento, causando la contaminazione dell'olio e/o la produzione di fumo bianco.

Punto 2 della sostituzione dell'olio: "Fuoriuscite di olio"

- L'olio che dovesse fuoriuscire dal serbatoio del carburante e dal gruppo principale del motore verrebbe aspirato dall'ingresso dell'aria di raffreddamento, contaminando il motore. Rimuovere l'olio fuoriuscito prima dell'avviamento.

RIFORNIMENTO

Come maneggiare il carburante

Il carburante deve essere maneggiato con la massima attenzione, in quanto può contenere sostanze simili ai solventi. Il rifornimento deve avvenire in un ambiente ben aerato o all'aria aperta. Non inalare i vapori e mantenere il carburante a distanza dal proprio corpo. Un contatto ripetuto o prolungato con il carburante può seccare la pelle, provocando fastidi o allergie. Qualora il carburante entri a contatto con gli occhi, lavare gli occhi con acqua fresca. Se l'irritazione persiste, consultare un medico.

Periodo di conservazione del carburante

Il carburante deve essere utilizzato entro 4 settimane, anche se viene conservato in contenitori specifici in zone ben ventilate e in ombra. In caso contrario il carburante può deteriorarsi entro un giorno.

CONSERVAZIONE DELL'UTENSILE E DEL SERBATOIO

- Conservare l'utensile e il serbatoio in un luogo fresco e non esposto alla luce diretta del sole.
- Non conservare il carburante in auto.

Carburante

Il motore è a quattro tempi. Utilizzare benzina senza piombo per automobili con almeno 87 ottani ((R+M)/2). Non deve contenere più del 10% di alcol (E-10).

Informazioni sul carburante

- Non utilizzare una miscela di benzina e olio motore. In caso contrario potrebbe verificarsi un accumulo eccessivo di carbonio con conseguenti problemi meccanici.
- L'uso di olio deteriorato può causare un avviamento irregolare.

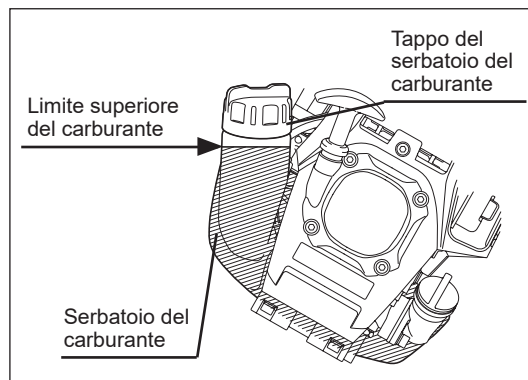
Rifornimento

⚠ AVVERTENZA: Prima del rifornimento è fondamentale spegnere il motore, allontanarsi dalle fiamme libere e non fumare.

Benzina utilizzata: Benzina senza piombo per automobili con almeno 87 ottani. Non più del 10% di alcol (E-10).

- Allentare leggermente il tappo del serbatoio per sfogare la pressione nel serbatoio.
- Rimuovere il tappo del serbatoio ed effettuare il rifornimento, scaricando l'aria inclinando il serbatoio in modo che il bocchettone sia orientato verso l'alto. Non rifornire di carburante fino alla parte superiore del serbatoio.
- Pulire la parte esterna del tappo del serbatoio per evitare la penetrazione di corpi estranei nel serbatoio del carburante.
- Serrare il tappo del serbatoio al termine del rifornimento.

- Se il tappo del serbatoio presenta danni o difetti è necessario sostituirlo.
- Il tappo del serbatoio si usura con il tempo. Sostituirlo ogni due o tre anni.
- Non versare carburante nell'apertura di rabbocco dell'olio.



INFORMAZIONI SUL FUNZIONAMENTO E SULLO SPEGNIMENTO

Rispettare le normative vigenti per la prevenzione degli infortuni.

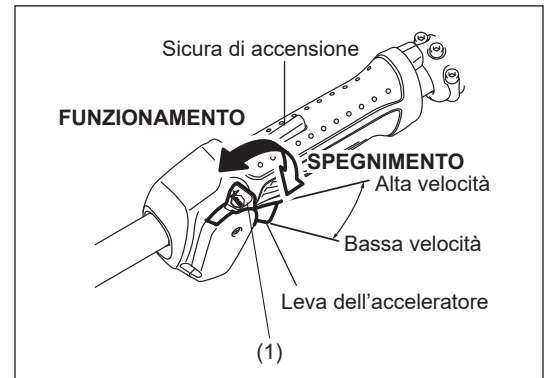


AVVIAMENTO

Allontanarsi di almeno 3 metri dal punto di rifornimento. Appoggiare l'utensile sul terreno, assicurandosi che l'accessorio di taglio non sia a contatto con il terreno o con qualunque altro oggetto.

A: Avviamento a freddo

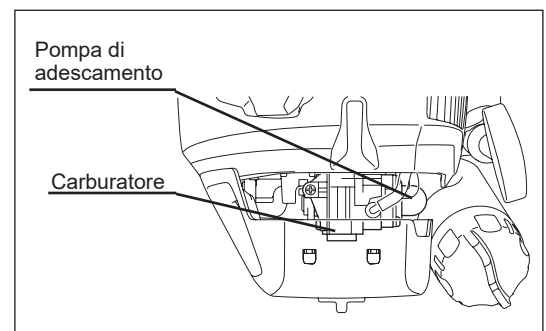
- 1) Appoggiare l'utensile in piano.
- 2) Portare l'interruttore I-O (1) nella posizione di funzionamento.



- 3) Pompa di adescamento

Continuare a premere la pompa di adescamento fino a quando il carburante non entra in circolo nella pompa. In generale, il carburante entra nella pompa di adescamento dopo 7-10 pressioni.

Se la pompa di adescamento viene premuta in maniera eccessiva, la benzina in eccesso ritorna nel serbatoio del carburante.



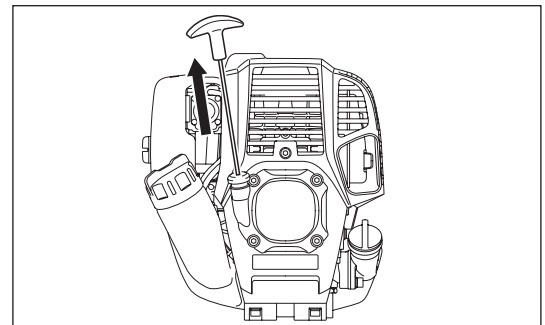
- 4) Starter manuale

Tirare delicatamente la manopola di avviamento fin quando non risulta difficile da tirare (punto di compressione). A questo punto, rilasciare la manopola e tirarla con forza.

Evitare di tirare completamente la corda. Una volta tirata la manopola di avviamento, non togliere immediatamente la mano. Tenere la manopola di avviamento fin quando non ritorna alla posizione originale.

- 5) Operazione di riscaldamento

Proseguire l'operazione di riscaldamento per 2-3 minuti.



NOTA: In caso di eccessivo afflusso di carburante, staccare la candela e tirare lentamente l'impugnatura di avviamento per eliminare il carburante in eccesso. Asciugare quindi la sezione degli elettrodi della candela.

B: Avviamento dopo l'operazione di riscaldamento

- 1) Premere più volte la pompa di adescamento.
- 2) Mantenere la leva dell'acceleratore nella posizione del minimo.
- 3) Tirare con forza lo starter manuale.
- 4) Se l'avviamento del motore risulta difficoltoso, aprire l'acceleratore di circa 1/3.

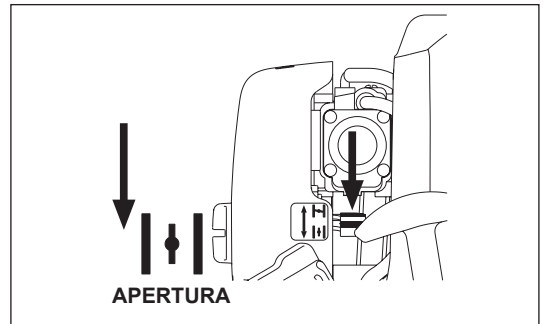
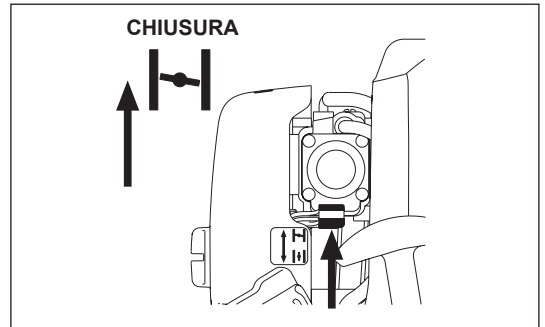
Se l'avviamento del motore risulta difficoltoso, ad esempio in inverno

Azionare la leva del dispositivo di avviamento con la seguente procedura durante l'avviamento del motore.

- Dopo aver svolto i passaggi da 1) a 3), portare la leva del dispositivo di avviamento nella posizione di chiusura.
- Eseguire il passaggio 4) e avviare il motore.
- Una volta avviato il motore, portare la leva del dispositivo di avviamento nella posizione di apertura.
- Eseguire il passaggio 5) e completare il riscaldamento.

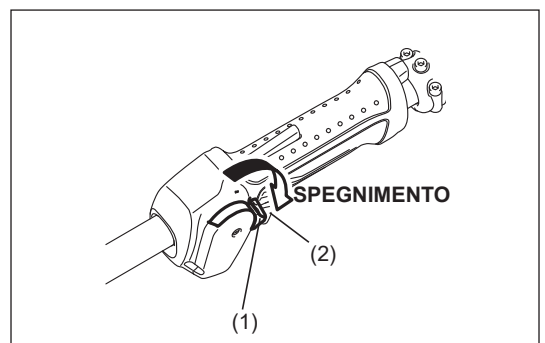
⚠ ATTENZIONE: Se l'utensile produce un suono di esplosione e il motore si ferma, oppure se il motore appena avviato entra in stallo prima che venga azionata la leva del dispositivo di avviamento, riportare tale leva nella posizione di apertura e tirare alcune volte la manopola di avviamento per avviare il motore.

⚠ ATTENZIONE: Se la leva del dispositivo di avviamento rimane nella posizione di chiusura mentre la manopola di avviamento viene tirata ripetutamente, è possibile che venga aspirato troppo carburante e che il motore risulti difficile da avviare.



SPEGNIMENTO

- 1) Rilasciare completamente la leva dell'acceleratore (2) e, una volta ridotto il regime del motore, portare l'interruttore I-O nella posizione di spegnimento. Il motore si spegne.
- 2) La testina di taglio potrebbe non fermarsi immediatamente; attendere che rallenti del tutto.

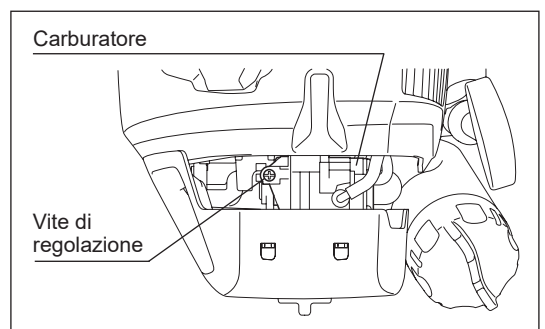


REGOLAZIONE DELLA ROTAZIONE A BASSA VELOCITÀ (MINIMO)

Se fosse necessario regolare la rotazione a bassa velocità (minimo), effettuare la modifica utilizzando la vite di regolazione del carburatore.

CONTROLLO DELLA ROTAZIONE A BASSA VELOCITÀ

- Impostare la rotazione a bassa velocità su 3.000 min⁻¹.
Se fosse necessario cambiare la velocità di rotazione a bassa velocità (minimo), regolare la vite mostrata a destra con un cacciavite a stella.
- Ruotare la vite di regolazione a destra per aumentare la rotazione del motore. Ruotare la vite di regolazione a sinistra per diminuire la rotazione del motore.
- Il carburatore viene generalmente regolato prima della spedizione. Dopo diversi rifornimenti di benzina potrebbe essere necessario regolare il regime minimo.



LA TESTINA DI TAGLIO IN NYLON

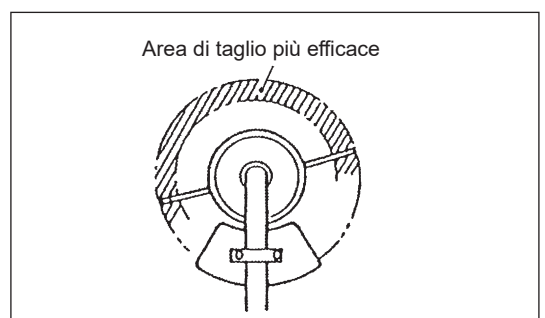
Per il taglio è necessario utilizzare la punta del filo di taglio in nylon.

Alimentazione del filo di taglio in nylon

Quando il filo di taglio in nylon è usurato e si è accorciato a causa dell'uso, è necessario che l'operatore lo alimenti manualmente.

Per alimentare il filo di taglio in nylon è sufficiente la testina di taglio in nylon sul terreno fino a ottenere una rotazione di circa 6.000 min⁻¹.

NOTA: Se il filo di taglio in nylon non viene alimentato è necessario riavvolgerlo.



Sostituzione del filo in nylon

⚠ AVVERTENZA: Assicurarsi che il coperchio della testina di taglio in nylon sia fissato correttamente sull'alloggiamento, come descritto di seguito. Il mancato fissaggio del coperchio può causare un distacco della testina di taglio in nylon, con conseguenti gravi danni alla persona.

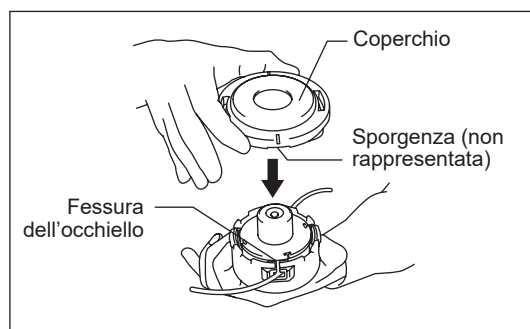
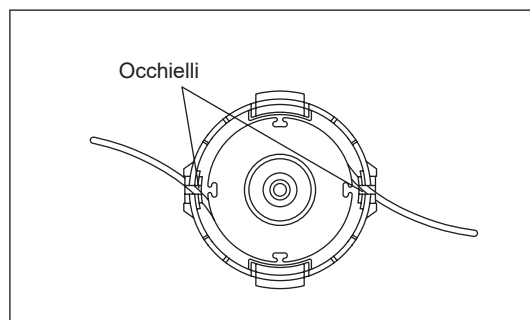
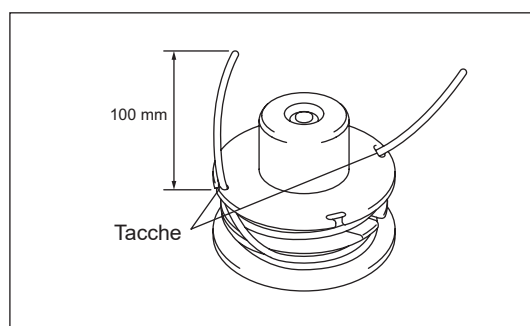
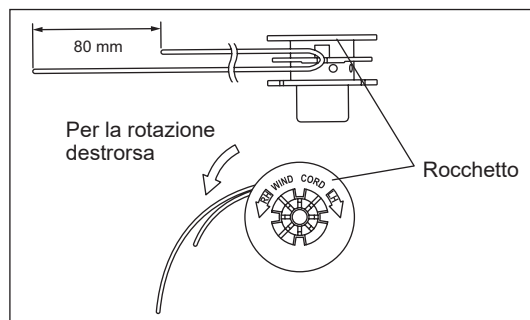
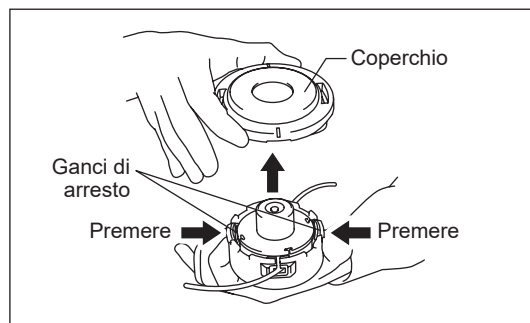
Premere i ganci di arresto dell'alloggiamento verso l'interno e sollevarli verso l'alto per rimuovere il coperchio. Gettare il filo di nylon rimanente.

Agganciare la parte centrale del nuovo filo di nylon alla tacca posta al centro del rocchetto tra i due canali forniti per il filo di nylon. Un capo del filo deve essere più lungo di circa 80 mm rispetto all'altro capo. Avvolgere saldamente entrambe le estremità intorno al rocchetto nella direzione indicata sulla testina per la direzione destrorsa (RH).

Avvolgere tutto il filo, tranne 100 mm, lasciando le estremità temporaneamente agganciate a una tacca sul lato del rocchetto.

Montare il rocchetto nel suo alloggiamento, in modo che le scanalature e le sporgenze sul rocchetto corrispondano a quelle sull'alloggiamento. Sganciare quindi le estremità del filo dalla loro posizione temporanea e passarle attraverso gli occhielli, in modo che fuoriescano dall'alloggiamento.

Allineare la sporgenza sul lato inferiore del coperchio con le fessure degli occhielli. Spingere saldamente il coperchio sull'alloggiamento per fissarlo. Assicurarsi che i ganci di arresto si estendano completamente sul coperchio.



ISTRUZIONI PER LA MANUTENZIONE

⚠ ATTENZIONE: Prima di effettuare qualunque operazione sull'utensile è fondamentale spegnere il motore e staccare la candela (vedere "Controllo della candela").
Indossare sempre i guanti di protezione.

Per garantire una lunga durata ed evitare danni all'utensile, è opportuno effettuare periodicamente le seguenti operazioni di manutenzione.

Controllo e manutenzione giornalieri

- Prima dell'uso, controllare l'utensile alla ricerca di viti allentate o parti mancanti. Prestare particolare attenzione alla regolazione della testina di taglio in nylon.
- Prima dell'uso, verificare che il passaggio dell'aria di raffreddamento e le alette del cilindro non siano intasati. Effettuare la pulizia, se necessario.
- Eseguire le seguenti operazioni ogni giorno dopo l'uso:
 - Pulire esternamente l'utensile e verificare la presenza di danni.
 - Pulire il filtro dell'aria. Se il lavoro avviene in ambienti particolarmente polverosi è bene pulire il filtro più volte al giorno.
 - Controllare eventuali danni alla testina di taglio in nylon e verificare che sia montata saldamente.
 - Controllare che vi sia una differenza sufficiente tra il minimo e la velocità di innesto, in modo che l'accessorio di taglio sia fermo quando il motore è al minimo (se necessario è possibile ridurre la velocità al minimo).
Se in condizioni di regime minimo l'utensile è ancora in funzione, rivolgersi al rappresentante autorizzato dell'assistenza di zona.
- Controllare il funzionamento dell'interruttore I-O, della sicura di accensione, della leva dell'acceleratore e del pulsante di bloccaggio.

SOSTITUZIONE DELL'OLIO MOTORE

L'olio motore deteriorato riduce la durata del motore. Controllare regolarmente l'olio e il relativo livello.



ATTENZIONE: In generale, il gruppo principale del motore e l'olio motore sono ancora caldi dopo lo spegnimento del motore. Per sostituire l'olio è necessario verificare che il gruppo principale del motore e l'olio motore si siano raffreddati. Diversamente, è possibile procurarsi ustioni.

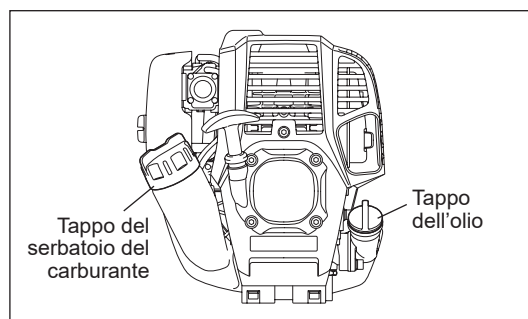
NOTA: Se l'olio viene rabboccato oltre il limite, potrebbero verificarsi contaminazioni o incendi che producono fumo bianco.

Intervallo di sostituzione: Inizialmente ogni 20 ore di funzionamento, successivamente ogni 50 ore di funzionamento.

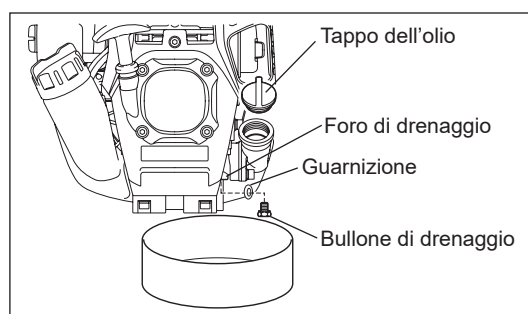
Olio consigliato: Olio SAE 10W-30 di classificazione API, classe SF o superiore (motore a quattro tempi per automobili)

Per la sostituzione attenersi alla seguente procedura.

- 1) Assicurarsi che il tappo del serbatoio del carburante sia ben serrato.
- 2) Posizionare un grande contenitore (ad esempio una vaschetta) sotto il foro di drenaggio.



- 3) Rimuovere il bullone di drenaggio e quindi il tappo dell'olio per scaricare l'olio dal foro di drenaggio. In questa fase è fondamentale evitare di perdere la guarnizione del bullone di drenaggio e di sporcare i componenti rimossi.



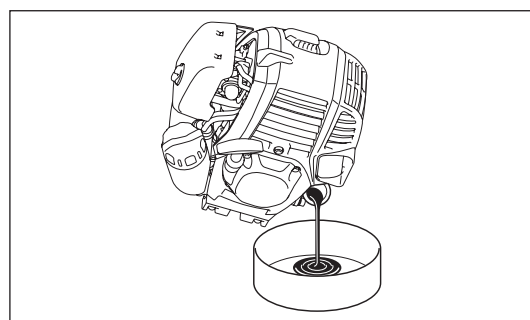
- 4) Una volta scaricato l'olio, montare la guarnizione e il bullone di drenaggio, poi serrare quest'ultimo in modo che non si allenti e causi perdite.

* Utilizzare un panno per rimuovere l'olio che ha aderito al bullone e all'utensile.

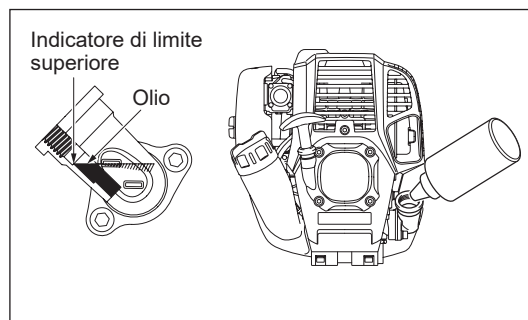
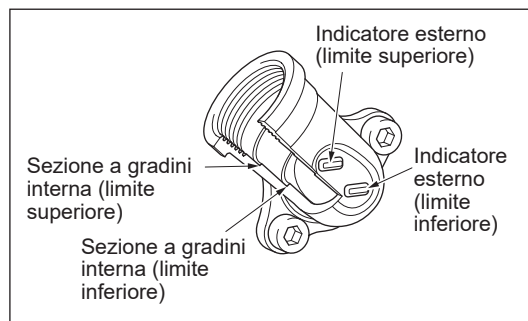
Metodo di drenaggio alternativo

Rimuovere il tappo dell'olio, inclinare l'utensile verso il foro di rabbocco e scaricare l'olio.

Raccogliere l'olio in un contenitore.



- 5) Posizionare il motore in piano e rabboccare gradatamente l'olio fino all'indicatore di limite superiore.
- 6) Dopo il rifornimento, serrare il tappo dell'olio in modo che non si allenti e causi perdite.
Se il tappo dell'olio non è correttamente serrato possono verificarsi perdite d'olio.



INFORMAZIONI SULL'OLIO

- Non gettare l'olio motore sostituito nella spazzatura, nel terreno o nei tombini. Lo smaltimento dell'olio è regolamentato dalla legge. Per lo smaltimento attenersi sempre a leggi e regolamenti in vigore. Per qualsiasi informazione rivolgersi al rappresentante autorizzato dell'assistenza.
- L'olio si deteriora anche se inutilizzato. Eseguire l'ispezione e la sostituzione a intervalli regolari (sostituire l'olio ogni sei mesi).

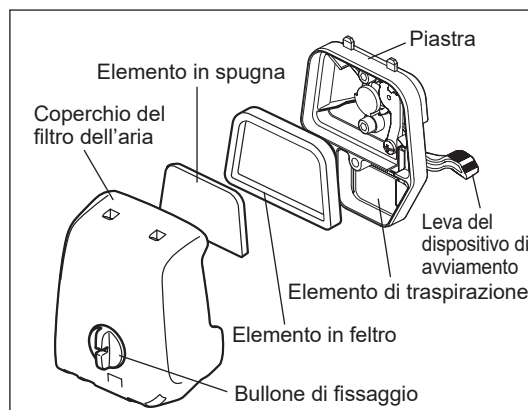
PULIZIA DEL FILTRO DELL'ARIA



AVVERTENZA: Spegner il motore, allontanarsi dalle fiamme libere e non fumare.

Intervallo di pulizia e ispezione: giornaliero (ogni 10 ore di funzionamento)

- Ruotare la leva del dispositivo di avviamento in modo che sia completamente chiusa e tenere il carburatore lontano da polvere e sporcizia.
- Allentare i bulloni di fissaggio.
- Rimuovere il coperchio del filtro dell'aria spingendo sul lato inferiore.
- Rimuovere gli elementi e batterli delicatamente per eliminare la sporcizia.
- Se gli elementi sono fortemente contaminati:
Rimuovere gli elementi, immergerli in acqua calda o in un detergente neutro diluito con acqua e lasciarli asciugare completamente. Non strizzarli o strofinarli durante il lavaggio.
- Lasciare asciugare completamente gli elementi prima di rimontarli.
Un'asciugatura insufficiente degli elementi può influire sul corretto avviamento del motore.
- Utilizzare un panno usa e getta per rimuovere l'eventuale olio presente sul coperchio del filtro dell'aria e sulla sezione di sfiato.
- Montare l'elemento di spugna nell'elemento di feltro.
Inserire gli elementi nella piastra in modo che la spugna sia rivolta verso il coperchio del filtro dell'aria.
- Subito dopo la pulizia, montare il coperchio del filtro e serrarlo con i bulloni di fissaggio. (Durante il rimontaggio è necessario inserire prima la pinza superiore e poi quella inferiore.)



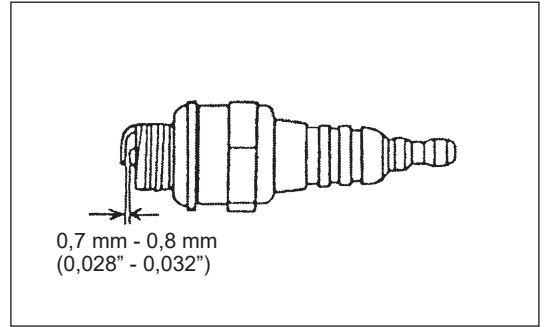
AVVISO:

- Pulire gli elementi più volte al giorno se la polvere che vi aderisce è eccessiva. Gli elementi sporchi riducono la potenza del motore e ne rendono difficile l'avviamento.
- Rimuovere l'olio presente sugli elementi. Se si continua a utilizzare gli elementi senza rimuovere l'olio in eccesso, l'olio all'interno del filtro dell'aria potrebbe fuoriuscire, contaminando l'ambiente.
- Non appoggiare gli elementi al suolo o in luoghi sporchi per evitare che raccolgano detriti o sporcizia, danneggiando il motore.
- Non pulire gli elementi con la benzina per non correre il rischio di danneggiarli.

CONTROLLO DELLA CANDELA

- Utilizzare esclusivamente la chiave universale in dotazione per rimuovere o montare la candela.
- La distanza tra i due elettrodi della candela deve essere compresa tra 0,7 e 0,8 mm. Se la distanza è superiore o inferiore è necessario procedere alla regolazione. Se la candela è ostruita dallo sporco o contaminata occorre pulirla accuratamente o sostituirla.

⚠ ATTENZIONE: Non toccare mai il connettore della candela mentre il motore è in funzione (pericolo di scossa elettrica ad alta tensione).



PULIZIA DEL FILTRO DEL CARBURANTE

⚠ AVVERTENZA: DIVIETO DI UTILIZZO DI INFIAMMABILI

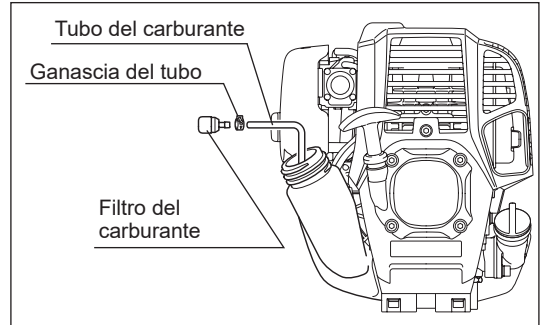
Intervallo di pulizia e ispezione: mensile (ogni 50 ore di funzionamento)

Testina di aspirazione nel serbatoio del carburante

Effettuare ispezioni periodiche del filtro del carburante attenendosi alla seguente procedura.

- (1) Rimuovere il tappo del serbatoio e svuotare il carburante. Ispezionare l'interno del serbatoio e rimuovere eventuali corpi estranei.
- (2) Servendosi di un gancio metallico, estrarre la testina di aspirazione attraverso l'apertura.
- (3) Se il filtro del carburante è leggermente ostruito, procedere alla pulizia agitando e battendolo delicatamente nella benzina. Per evitare di danneggiarlo, non strizzare o strofinare il filtro. La benzina usata per la pulizia deve essere smaltita in accordo alle legislazioni vigenti nel proprio paese.
Sostituire i filtri del carburante induriti o pesantemente ostruiti.
- (4) Dopo l'ispezione, la pulizia o la sostituzione, spingere il filtro del carburante a fondo nel serbatoio.

I filtri ostruiti o danneggiati possono causare un afflusso insufficiente di carburante al motore, riducendone la potenza. Sostituire il filtro del carburante con una frequenza almeno trimestrale, in modo da garantire un'erogazione costante di carburante al carburatore.



SOSTITUZIONE DEL TUBO DEL CARBURANTE

⚠ ATTENZIONE: DIVIETO DI UTILIZZO DI INFIAMMABILI

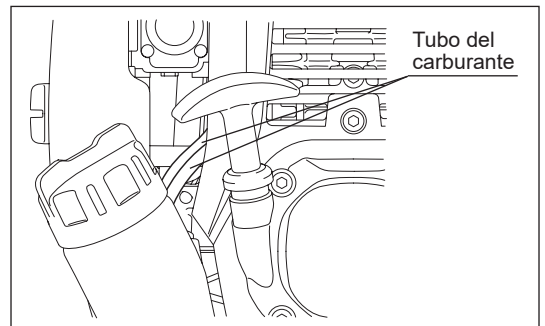
Intervallo di pulizia e ispezione: giornaliero (ogni 10 ore di funzionamento)

Sostituzione: annuale (ogni 200 ore di funzionamento)

Sostituire il tubo del carburante una volta l'anno, indipendentemente dalla frequenza di utilizzo. Le perdite di carburante possono dare luogo a incendi. Se vengono rilevate perdite durante l'ispezione, sostituire immediatamente il tubo del carburante.

ISPEZIONE DI BULLONI, DADI E VITI

- Serrare bulloni, dadi e viti allentati.
- Verificare che il tappo del carburante e il tappo dell'olio siano serrati. Verificare che non vi siano perdite di carburante e olio.
- Sostituire le parti danneggiate per garantire la sicurezza.



PULIZIA DEI COMPONENTI

- Mantenere il motore sempre pulito.
- Evitare il contatto delle alette del cilindro e della presa d'aria con polvere o sporcizia. La polvere e la sporcizia che aderiscono alle alette possono causare la perdita di cilindricità del pistone.

SOSTITUZIONE DELLE GUARNIZIONI

Sostituire le guarnizioni quando si rimonta il motore.

Qualunque attività di manutenzione o regolazione non descritta nel presente manuale deve essere affidata ai rappresentanti autorizzati dell'assistenza.

STOCCAGGIO



AVVERTENZA: Per scaricare il carburante, il motore deve essere spento e freddo. Subito dopo l'arresto, il motore è ancora caldo e può causare ustioni e incendi.



ATTENZIONE: Se l'utensile non deve essere utilizzato per un periodo prolungato, scaricare tutto il carburante dal serbatoio e dal carburatore e conservare l'utensile in un ambiente pulito e asciutto.

- Scaricare il carburante dal serbatoio e dal carburatore attenendosi alla procedura riportata di seguito:
 - 1) Rimuovere il tappo del serbatoio del carburante e scaricare completamente il carburante.
Se nel serbatoio del carburante permangono corpi estranei è necessario smontarlo completamente.
 - 2) Estrarre il filtro del carburante dall'apertura di rabbocco utilizzando un filo metallico.
 - 3) Premere la pompa di adescamento fino a scaricare tutto il carburante al suo interno, quindi scaricare il carburante penetrato nel serbatoio.
 - 4) Inserire il filtro nel serbatoio del carburante e serrare il relativo tappo.
 - 5) Lasciare il motore in funzione fino all'arresto.
- Staccare la candela e lasciar cadere diverse gocce di olio motore nel foro della candela.
- Tirare delicatamente l'impugnatura di avviamento per far circolare l'olio nel motore, quindi inserire la candela.
- In generale, riporre l'utensile in posizione orizzontale, o comunque posizionarlo in modo che il motore sporga dalla parte inferiore dell'utensile da taglio. In caso contrario potrebbero verificarsi perdite di olio motore dall'interno. Nella fase di stoccaggio, evitare con particolare attenzione che l'utensile possa cadere. In caso contrario potrebbero verificarsi danni alla persona.
- Conservare il carburante scaricato in un contenitore speciale posto in un ambiente ben aerato.

Attenzioni dopo una lunga conservazione

- Prima dell'avviamento dopo una fase di inutilizzo prolungata è opportuno sostituire l'olio (vedere a P 68). L'olio si deteriora anche se l'utensile rimane inutilizzato.

Posizione del guasto

Guasto	Sistema	Osservazione	Causa
Il motore non si avvia o si avvia con difficoltà	Sistema di iniezione	Scintilla di accensione presente Scintilla di accensione assente	Guasto nel sistema di compressione o di alimentazione del carburante, difetto meccanico Interruttore di spegnimento azionato, errore di cablaggio o cortocircuito, candela o connettore difettoso, modulo di iniezione guasto
	Alimentazione del carburante	Serbatoio del carburante pieno	Posizione del dispositivo di avviamento non corretta, carburatore difettoso, linea di alimentazione del carburante piegata o bloccata, carburante sporco
	Compressione	Nessuna compressione quando viene tirato il dispositivo	Guarnizione inferiore del cilindro difettosa, guarnizioni dell'albero motore danneggiate, anelli del cilindro o del pistone difettosi, tenuta difettosa della candela
	Guasto meccanico	Starter non innestato	Molla dello starter rotta, parti danneggiate all'interno del motore
Problemi nell'avviamento a caldo		Serbatoio pieno, scintilla di accensione presente	Carburatore contaminato, effettuarne la pulizia
Il motore si avvia ma si spegne immediatamente	Alimentazione del carburante	Serbatoio pieno	Regolazione del minimo errata, carburatore contaminato Apertura del serbatoio del carburante difettosa, linea di alimentazione del carburante interrotta, cavo o interruttore di spegnimento difettosi
Prestazioni insufficienti	Possono essere interessati più sistemi contemporaneamente	Minimo insufficiente del motore	Filtro dell'aria contaminato, carburatore contaminato, marmitta intasata, condotta di scarico del cilindro intasata

Componente	Tempo di funzionamento	Prima dell'uso	Dopo la lubrificazione	Ogni giorno (10 ore)	30 ore	50 ore	200 ore	Spegnimento/ sospensione del lavoro	P corrispondente
Olio motore	Ispezionare/ pulire	○							63
	Sostituire					○*1			68
Serraggio dei componenti (bulloni, dadi)	Ispezionare	○							70
Serbatoio del carburante	Pulire/ ispezionare	○							—
	Foro di drenaggio							○*3	71
Leva dell'acceleratore	Controllare il funzionamento		○						—
Interruttore di spegnimento	Controllare il funzionamento		○						66
Accessorio di taglio	Ispezionare	○		○					62
Rotazione a bassa velocità	Ispezionare/ regolare			○					66
Filtro dell'aria	Pulire			○					69
Candela	Ispezionare			○					70
Presa d'aria di raffreddamento	Pulire/ ispezionare			○					70
Tubo del carburante	Ispezionare			○					70
	Sostituire						◎*2		—
Filtro del carburante	Pulire/ sostituire					○			70
Distanza tra la valvola di ingresso e la valvola di uscita dell'aria	Regolare						◎*2		—
Surriscaldamento del motore							◎*2		—
Carburatore	Foro di drenaggio							○*3	71

*1 Eseguire la sostituzione inizialmente dopo 20 ore di funzionamento.

*2 Per l'ispezione a 200 ore di funzionamento, fare richiesta a un rappresentante autorizzato dell'assistenza o ad un'officina meccanica.

*3 Dopo aver svuotato il serbatoio del carburante, lasciare il motore in funzione e scaricare il carburante dal carburatore.

RISOLUZIONE DEI PROBLEMI

Prima di richiedere una riparazione è opportuno individuare il problema autonomamente. Se viene rilevata un'anomalia, controllare l'utensile secondo la descrizione nel presente manuale. Non smontare o manomettere i componenti non indicati nella descrizione. Per le riparazioni rivolgersi al rappresentante autorizzato dell'assistenza di zona.

Anomalia	Probabile causa (problema di funzionamento)	Soluzione
Il motore non si avvia	Impossibile utilizzare la pompa di adescamento	Premere da 7 a 10 volte
	Velocità di azionamento ridotta della corda di avviamento	Tirare con forza
	Mancanza di carburante	Alimentare il carburante
	Filtro del carburante intasato	Pulire
	Tubo del carburante rotto	Raddrizzare il tubo del carburante
	Carburante deteriorato	Il carburante deteriorato rende difficoltoso l'avviamento. Sostituire con carburante nuovo. (sostituzione consigliata: 1 mese)
	Candela staccata	Fissare saldamente
	Candela contaminata	Pulire
	Distanza anomala della candela	Regolare la distanza
	Altre anomalie della candela	Sostituire
	Carburatore anomalo	Richiedere l'ispezione e la manutenzione.
	Impossibile tirare la corda di avviamento	Richiedere l'ispezione e la manutenzione.
	Sistema di comando anomalo	Richiedere l'ispezione e la manutenzione.
Il motore si spegne improvvisamente Il regime del motore non aumenta	Riscaldamento insufficiente	Eseguire l'operazione di riscaldamento
	La leva del dispositivo di avviamento è nella posizione di chiusura anche se il motore è stato riscaldato.	Portarla nella posizione di apertura
	Filtro del carburante intasato	Pulizia o sostituzione
	Filtro dell'aria contaminato o intasato	Pulire
	Carburatore anomalo	Richiedere l'ispezione e la manutenzione.
L'accessorio di taglio non ruota.	L'accessorio di taglio non è serrato correttamente.	Serrare correttamente l'accessorio di taglio.
	Si è impigliato un ramoscello tra l'accessorio di taglio e il dispositivo di protezione.	Rimuovere il corpo estraneo.
↓		
Spegnere immediatamente il motore	Il sistema di comando non funziona correttamente.	Richiedere l'ispezione e la riparazione al centro assistenza autorizzato Makita.
L'unità vibra in modo anomalo.	L'accessorio di taglio è rotto.	Sostituire l'accessorio di taglio.
	L'accessorio di taglio non è serrato correttamente.	Serrare correttamente l'accessorio di taglio.
	Un'estremità del filo di taglio in nylon è rotta e la testina di taglio in nylon non è più bilanciata.	Alimentare il filo di taglio in nylon battendo la testina di taglio in nylon sul terreno.
	Il sistema di comando non funziona correttamente.	Richiedere l'ispezione e la riparazione al centro assistenza autorizzato Makita.
↓		
Spegnere immediatamente il motore		
L'accessorio di taglio non si ferma.	Il gruppo di alimentazione non funziona correttamente.	Consultare il manuale di istruzioni del gruppo di alimentazione.
↓		
Spegnere immediatamente il motore		
Il motore non si spegne	Connettore staccato	Fissare saldamente
	Impianto elettrico anomalo	Richiedere l'ispezione e la manutenzione.
↓		
Avviare il motore al minimo e portare la leva del dispositivo di avviamento nella posizione di chiusura		
Il filo di taglio in nylon non viene alimentato.	Il filo è terminato o è incastrato nel rocchetto.	Riavvolgere il filo.
	Il tagliafilo sul dispositivo di protezione è danneggiato o mancante.	Richiedere la sostituzione del tagliafilo al centro assistenza autorizzato Makita.
Il filo di taglio in nylon non è stato tagliato alla giusta lunghezza.	Il filo si estende oltre il dispositivo di protezione.	Riavvolgere il filo.

Se il motore non si avvia dopo l'operazione di riscaldamento:

Se non sono state rilevate anomalie è possibile aprire l'acceleratore di circa 1/3 e avviare il motore.

Hartelijk dank voor uw aankoop van dit gemotoriseerd tuingereedschap van MAKITA. Met trots bevelen wij u dit gereedschap van MAKITA van harte aan als resultaat van een langdurig ontwikkelingsprogramma en jarenlange kennis en ervaring.




















Lees deze handleiding met daarin nauwkeurige beschrijvingen van de diverse punten die zijn hoogstaande prestaties demonstreren. Hierdoor bent u in staat de best mogelijke resultaten te behalen die het gereedschap van MAKITA u kan bieden.



Inhoud	Pagina
Symbolen.....	74
Veiligheidsinstructies	75
Technische gegevens	78
Namen van onderdelen	79
De handgreep monteren.....	80
De beschermkap monteren	80
De nylondraad-snijkop monteren.....	80
Vóór het begin van het werk.....	81
Tips voor gebruik en procedure voor stoppen	83
De nylondraad-snijkop.....	84
Onderhoudsinstructies.....	86
Opslag	89

SYMBOLEN

Let op de volgende symbolen wanneer u de gebruiksaanwijzing leest.

	Lees de gebruiksaanwijzing en volg de waarschuwingen en veiligheidsvoorzorgsmaatregelen op!		Draag een veiligheidshelm, oog- en gehoorbescherming.
	Besteed bijzondere zorg en aandacht!		Toegestaan maximumtoerental max 10000min ⁻¹
	Verboden!		Brandstof (benzine)
	Houd afstand!		Motor handmatig starten
	Gevaar voor rondvliegende voorwerpen!		Noodstop
	Verboden te roken!		EHBO
	Geen open vuur!		AAN/START
	Veiligheidshandschoenen vereist!		UIT/STOP
	Draag stevige schoenen met antislipzolen. Veiligheidsschoenen met stalen neuzen worden aanbevolen.		Gebruik nooit een metalen snijblad
	Houd mensen en huisdieren weg van het werkgebied!		

VEILIGHEIDSINSTRUCTIES

Algemene instructies

- Lees deze gebruiksaanwijzing om u bekend te maken met de juiste manier van omgaan met het gereedschap. Gebruikers die onvoldoende geïnformeerd zijn, lopen de kans zichzelf en anderen in gevaar te brengen als gevolg van onjuist omgaan met het multifunctionele aandrijfsysteem.
- Het verdient aanbeveling het gereedschap uitsluitend uit te lenen aan mensen die bewezen hebben ervaren te zijn. Geef altijd de gebruiksaanwijzing mee.
- Onervaren gebruikers dienen de dealer te vragen om basisinstructies om zichzelf bekend te maken met het omgaan met een graskantmaaier.
- Laat geen kinderen of jonge mensen die jonger zijn dan 18 jaar met het gereedschap werken. Jongeren die ouder zijn dan 16 jaar mogen echter het gereedschap gebruiken om te oefenen terwijl ze onder toezicht staan van een gekwalificeerde begeleider.
- Gebruik het gereedschap met de hoogst mogelijke zorg en aandacht.
- Gebruik het gereedschap alleen als u in goede lichamelijke conditie bent. Werk altijd rustig en voorzichtig. De gebruiker is aansprakelijk ten opzichte van anderen.
- Gebruik dit gereedschap nooit na het gebruik van alcohol of drugs, of wanneer u zich moe of ziek voelt.
- Het gebruik van het gereedschap kan landelijk gereguleerd zijn.

Bedoeld gebruik van het gereedschap

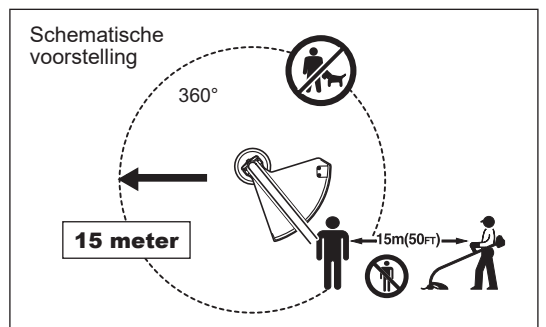
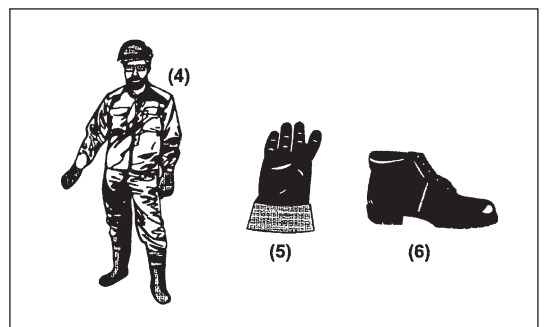
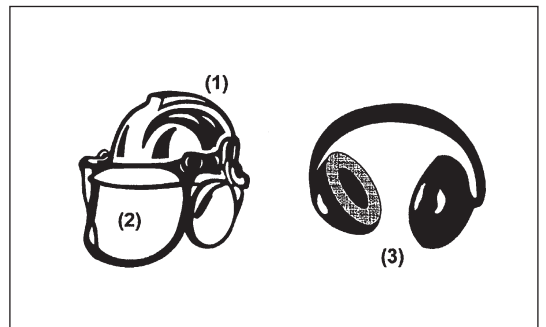
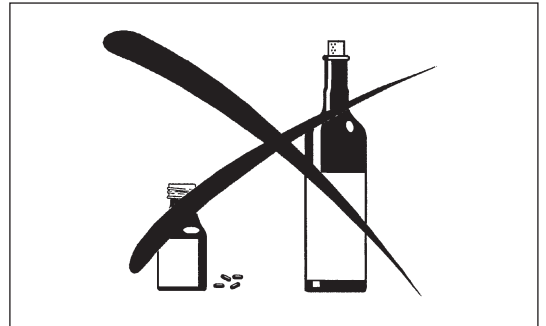
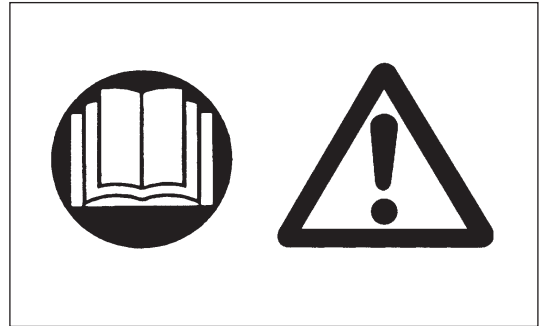
- Het gereedschap is uitsluitend bedoeld voor het maaien van gras en kleine onkruiden. Het mag niet worden gebruikt voor enig ander doel, zoals randen bijwerken of heggen snoeien, aangezien dit tot letsel kan leiden.

Persoonlijke-veiligheidsuitrusting

- De te dragen kleding dient functioneel en geschikt te zijn, d.w.z. nauwsluitend zonder te hinderen. Draag geen juwelen of kleding die in de struiken kunnen verstrikt raken.
- Om tijdens het gebruik letsels aan hoofd, ogen, handen of voeten te voorkomen en uw gehoor te beschermen, moeten de volgende veiligheidsuitrusting en beschermende kleding worden gebruikt terwijl u werkt.
- Draag altijd een helm wanneer het risico bestaat op vallende objecten. U moet de veiligheidshelm (1) regelmatig controleren op schade en uiterlijk na 5 jaar worden vervangen. Gebruik alleen goedgekeurde veiligheidshelmen.
- Het spatscherm (2) van de helm (of de veiligheidsbril) beschermt het gezicht tegen rondvliegend afval en opspringende stenen. Draag tijdens het gebruik altijd een veiligheidsbril of een spatscherm om letsel aan de ogen te voorkomen.
- Draag geschikte uitrusting om u te beschermen tegen het lawaai en gehoorbeschadiging te voorkomen (oorbeschermers (3), oordopjes, enz.).
- Een werkoverall (4) beschermt tegen rondvliegend afval en opspringende stenen. Wij raden u sterk aan een werkoverall te dragen.
- Handschoenen (5) maken deel uit van de voorgeschreven uitrusting en moeten altijd worden gedragen tijdens het gebruik.
- Draag tijdens gebruik van het gereedschap altijd stevige schoenen (6) met een antislipzool. Dit beschermt u tegen letsel en garandeert dat u stevig staat.

De benzinegraskantmaaier starten

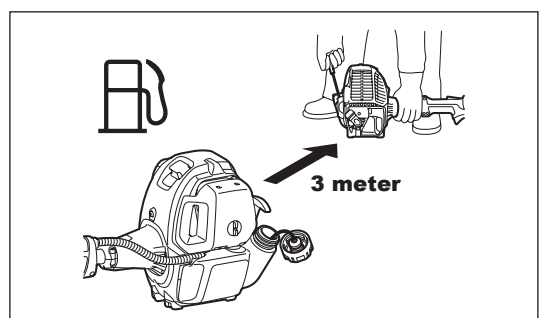
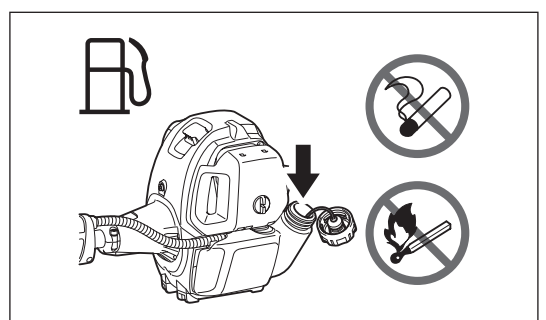
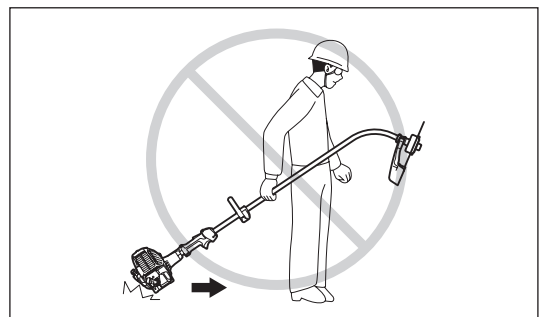
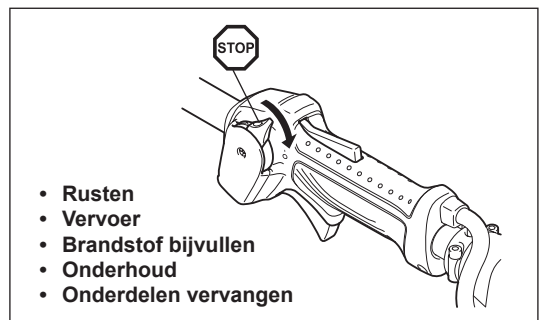
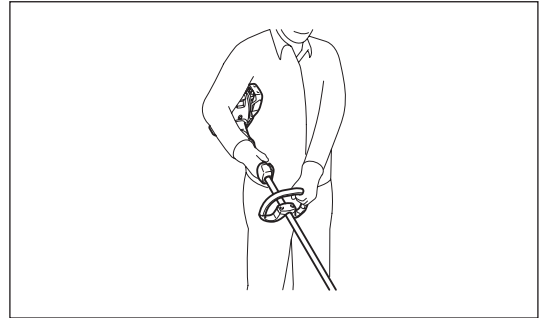
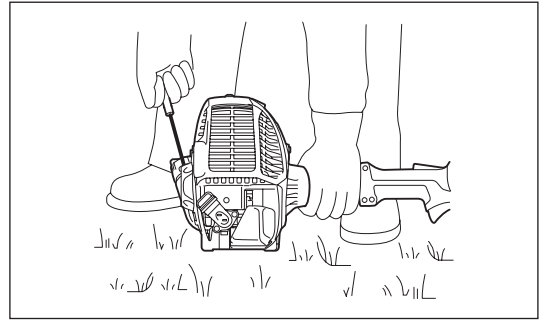
- Controleer of er geen kinderen of andere mensen aanwezig zijn binnen een werkbereik van 15 meter (50 feet) en let ook op of er geen dieren in de werkomgeving zijn.
- Controleer voor gebruik altijd of het gereedschap veilig is om te gebruiken. Controleer de bevestiging van het snijgereedschap, controleer of de gashendel gemakkelijk kan worden bediend, en controleer of de gashendelvergrendeling goed werkt.
- Het snijgereedschap mag niet draaien bij stationair motortoerental. Neem bij twijfel contact op met uw dealer voor afstelling. Controleer of de handgrepen schoon en droog zijn en test de werking van de stopschakelaar.



- Start de benzinegraskantmaaier alleen op de manier beschreven in de instructies.
- Gebruik geen enkele andere methode om de motor te starten!
- Gebruik de benzinegraskantmaaier en de gereedschappen uitsluitend voor de beschreven toepassingen.
- Start de motor van de benzinegraskantmaaier alleen nadat deze volledig is gemonteerd. Het gereedschap mag uitsluitend worden gebruikt nadat alle toepasselijke toebehoren zijn gemonteerd!
- Controleer vóór het starten of het snijgarnituur geen contact maakt met harde voorwerpen, zoals takken, stenen, enz., omdat tijdens het starten het snijgarnituur zal ronddraaien.
- De motor moet onmiddellijk uitgeschakeld worden in geval van enige motorstoring.
- Als het snijgarnituur stenen of andere objecten raakt, moet u de motor onmiddellijk uitschakelen en het snijgarnituur controleren.
- Controleer het snijgarnituur regelmatig op beschadiging (inspecteren op haarscheurtjes met de klopgekluidentest).
- Nadat tegen het gereedschap is gestoten of het is gevallen, controleert u de conditie van het gereedschap voordat u de werkzaamheden hervat. Controleer het brandstofsysteem op brandstoflekkage, en de bedieningselementen en veiligheidsvoorzieningen op een juiste werking. Als enige beschadiging zichtbaar is of u twijfelt, vraagt u ons erkende servicecentrum om inspectie en reparatie.
- Houd de benzinegraskantmaaier altijd met beide handen vast tijdens het gebruik. Houd de benzinegraskantmaaier nooit met slechts één hand vast tijdens het gebruik.
Zorg er altijd voor dat u stevig staat.
- Gebruik het gereedschap zo, dat u geen uitlaatgassen kunt inademen. Laat de motor nooit draaien in een gesloten vertrek (kans op gasverstikking). Koolmonoxide is een geurloos gas.
- Schakel de motor uit tijdens pauzes en wanneer u het gereedschap onbeheerd achterlaat, en leg hem op een veilige plaats om gevaar voor anderen en beschadiging van het gereedschap te voorkomen.
- Leg nooit een warme benzinegraskantmaaier op droog gras of enige andere ontvlambare materialen.
- Breng altijd een goedgekeurde beschermkap van het snijgarnituur aan op het gereedschap voordat u de motor start. Als u dat niet doet, kan aanraking van het snijgarnituur leiden tot ernstig persoonlijk letsel.
- De hele veiligheidsuitrusting en alle beschermkappen die bij het gereedschap zijn geleverd, moeten tijdens het werk worden gebruikt.
- Gebruik het gereedschap nooit met een defecte uitlaatdemper.
- Schakel de motor uit tijdens het vervoer.
- Leg tijdens vervoer per auto het gereedschap op een veilige plaats om te voorkomen dat er brandstof uit lekt.
- Wanneer u het gereedschap vervoert, moet u ervoor zorgen dat de brandstoftank volledig leeg is.
- Let erop dat bij het uitladen van het gereedschap uit de auto de motor niet op de grond valt omdat hierdoor de brandstoftank ernstig kan worden beschadigd.
- Behalve in noodgevallen mag u het gereedschap nooit op de grond laten vallen of weggooien omdat hierdoor het gereedschap zwaar beschadigd kan raken.
- Let erop dat u het volledige gereedschap van de grond tilt wanneer u het verplaatst. Het is bijzonder gevaarlijk de brandstoftank over de grond te slepen en dit zal beschadiging en lekkage veroorzaken die kan leiden tot brand.

Brandstof bijvullen

- Schakel de motor uit alvorens brandstof bij te vullen, blijf uit de buurt van open vuur en rook niet.
- Vermijd huidcontact met minerale-olieproducten. Adem de brandstofdampen niet in. Draag altijd veiligheidshandschoenen tijdens het bijvullen van de brandstof. Zorg dat u de beschermende kleding regelmatig vervangt en reinigt.
- Wees voorzichtig geen brandstof of olie te morsen om bodemverontreiniging te voorkomen (milieubescherming). Reinig de benzinegraskantmaaier onmiddellijk nadat brandstof erop is gemorst.
- Vermijd dat brandstof in aanraking komt met uw kleding. Kleed u onmiddellijk om als brandstof op uw kleding is gemorst (om te voorkomen dat de kleding vlam vat).
- Inspecteer de brandstofvuldop regelmatig om zeker te zijn dat de dop stevig kan worden aangedraaid en niet lekt.
- Draai de brandstofvuldop stevig vast. Verplaats het gereedschap voordat u de motor start (tenminste 3 meters afstand tot de plaats waar brandstof is bijgevuld.)
- Vul nooit brandstof bij in een gesloten vertrek. Brandstofdampen verzamelen zich vlak boven de vloer (risico van explosie.)
- Vervoer en bewaar brandstof alleen in goedgekeurde tanks. Zorg dat de opgeslagen brandstof niet toegankelijk is voor kinderen.



Gebruiksmethode

- Gebruik het gereedschap alleen bij goed licht en zicht. Wees in de winter bedacht op gladde of natte plaatsen, ijs en sneeuw (gevaar voor uitglijden). Zorg er altijd voor dat u stevig staat.
- Maai nooit boven heuphoogte.
- Werk nooit vanaf een ladder.
- Klim nooit in een boom om daar met het gereedschap te werken.
- Werk nooit op onstabiele oppervlakken.
- Verwijder zand, stenen, nagels, enz. die u binnen uw werkbereik vindt.
- Voordat u begint te maaien, moet het snijgarnituur op maximaal toerental draaien.
- Beweeg de benzinegraskantmaaier gelijkmatig heen en weer. Als gras of takken bekneld raken tussen het snijgarnituur en de beschermkap, zet u altijd de motor uit voordat u ze verwijderd. Als u dat toch doet, kan door onbedoeld draaien van het snijgarnituur ernstig letsel ontstaan.
- Neem een pauze om te voorkomen dat u door vermoeidheid de controle over het gereedschap verliest. Wij adviseren u ieder uur 10 tot 20 minuten te rusten.



Snijgarnituur

- Gebruik nooit metalen snijbladen, waaronder metalen meerdelige kettingen en vlegelmessen. Als u dat toch doet kan door aanraking van het snijblad ernstig letsel ontstaan.

Trillingen

- Personen met een slechte bloedsomloop die worden blootgesteld aan sterke trillingen, kunnen verwondingen aan bloedvaten of het zenuwstelsel oplopen. Trillingen kunnen de volgende symptomen veroorzaken in de vingers, handen of polsen: "slapen" (ongevoeligheid), tintelingen, pijn, stekend gevoel, veranderen van huidskleur of van de huid. Als een van deze symptomen zich voordoet, raadpleegt u uw huisarts!
- Om de kans op deze "witte-vingerziekte" te verkleinen, houdt u uw handen warm tijdens het werk en onderhoudt u het gereedschap en de accessoires goed.



Onderhoudsinstructies

- Laat uw gereedschap onderhouden door ons erkende servicecentrum dat altijd uitsluitend gebruikmaakt van originele vervangingsonderdelen. Onjuiste reparatie en slecht onderhoud kan de levensduur van het gereedschap verkorten en de kans op ongevallen vergroten.
- De toestand van het gereedschap, met name van het snijgarnituur en de veiligheidsuitrusting, moeten worden gecontroleerd voor aanvang van de werkzaamheden.
- Schakel de motor uit en trek de bougiekap eraf wanneer u het snijgarnituur vervangt, en wanneer u de maaier of het snijgarnituur schoonmaakt.
- Denk aan het milieu. Vermijd onnodig gebruik van de gashendel zodat minder uitlaatgassen en geluid worden geproduceerd. Stel de carburateur goed af.
- Maak het gereedschap regelmatig schoon en controleer of alle bouten en moeren stevig zijn vastgedraaid.
- Onderhoud of bewaar het gereedschap niet in de buurt van open vuur.
- Bewaar het gereedschap altijd in een afgesloten ruimte en met een lege brandstoftank.



Volg de relevante instructies voor het voorkomen van ongevallen die door de relevante beroepsverenigingen en verzekeringsmaatschappijen zijn uitgegeven.

Breng geen wijzigingen aan het gereedschap aan, omdat hiermee uw veiligheid gevaar loopt.

Het uitvoeren van onderhoud of reparaties door de gebruiker is beperkt tot de activiteiten die in de gebruiksaanwijzing zijn beschreven. Alle andere werkzaamheden moet worden uitgevoerd door een erkend servicecentrum. Gebruik uitsluitend originele vervangingsonderdelen en accessoires die zijn vervaardigd en geleverd door MAKITA.

Het gebruik van niet-goedgekeurde accessoires en gereedschappen leidt tot een verhoogde kans op ongevallen.

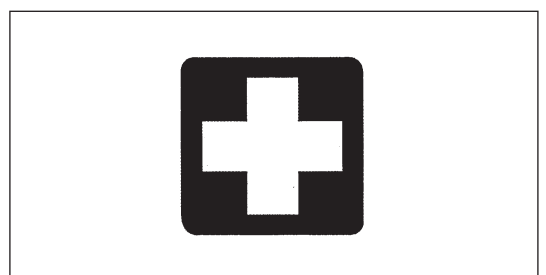
MAKITA aanvaardt geen enkele aansprakelijkheid voor ongevallen of schade veroorzaakt door het gebruik van een niet-goedgekeurd snijgarnituur, bevestigingsmiddelen voor snijgarnituur of accessoires.

EHBO

Zorg dat er altijd een EHBO-does beschikbaar is in de buurt waar er wordt gemaaid om eerste hulp te bieden bij eventuele ongevallen. Vervang onmiddellijk elk item dat uit de EHBO-does is genomen.

Geef de volgende informatie wanneer u hulp inroept:

- Plaats van het ongeval
- Beschrijving van het ongeval
- Aantal gewonden
- Soort letsels
- Uw naam



TECHNISCHE GEGEVENS ER2650LH

Model		ER2650LH		
Type handgreep		Beugelhandgreep		
Afmetingen: lengte x breedte x hoogte (zonder snijgarnituur)		mm	1.621 x 310 x 479	
Maaidiameter		mm	412	
Gewicht (zonder kunststofbeschermer en snijgarnituur)		kg	4,8	
Volume (brandstoftank)		l	0,6	
Volume (oliereservoir)		l	0,08	
Cilinderinhoud		cm ³	25,4	
Maximaal motorvermogen		kW	0,77 bij 7.000 min ⁻¹	
Motortoerental bij aanbevolen max. astoerental		min ⁻¹	10.000	
Maximaal astoerental		min ⁻¹	7.900	
Stationair toerental		min ⁻¹	3.000	
Toerental op aangrijppunt van koppeling		min ⁻¹	3.900	
Carburateur		Membraantype		
Ontstekingssysteem		Contactloos, magneettype		
Bougie		type	NGK CMR4A	
Elektrodenafstand		mm	0,7 - 0,8	
Trillingen volgens ISO 22867	Rechterhandgreep (Achterste handvat)	$a_{hv\ eq}$	m/s ²	8,2
		Onzekerheid (K)	m/s ²	0,9
	Linkerhandgreep (Voorste handvat)	$a_{hv\ eq}$	m/s ²	5,0
		Onzekerheid (K)	m/s ²	1,7
Gemiddeld geluidsdrukniveau volgens ISO 22868		$L_{PA\ eq}$	dB (A)	97,5
		Onzekerheid (K)	dB (A)	1,8
Gemiddeld geluidsvermogeniveau volgens ISO 22868		$L_{WA\ eq}$	dB (A)	107,3
		Onzekerheid (K)	dB (A)	2,5
Brandstof		Benzine voor auto's		
Motorolie		Olie van API-classificatie SF-klasse of beter, of olie SAE 10W-30 (4-taktmotorolie voor auto's)		

Alleen voor Europese landen

EU-verklaring van conformiteit

De EU-verklaring van conformiteit is opgenomen als Bijlage A in deze instructiehandleiding.

DE HANDGREEP MONTEREN

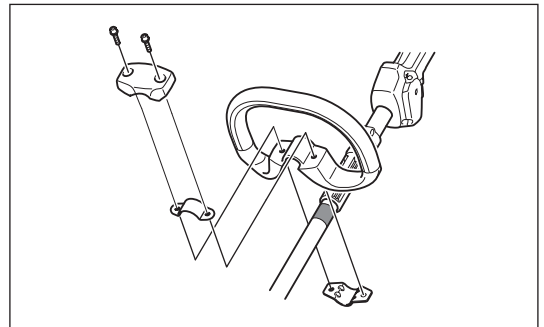
⚠ LET OP: Voordat u werkzaamheden uitvoert aan het gereedschap, moet u altijd de motor uitzetten en de bougiekap van de bougie aftrekken.
Draag altijd veiligheidshandschoenen!

⚠ LET OP: Start de motor alleen nadat hij volledig is gemonteerd.

Voor gereedschappen met een beugelhandgreep

- Bevestig de beugelhandgreep aan de schacht zoals afgebeeld.
- Zorg ervoor dat de afstandshouder zich op de schachtas bevindt tussen de beugelhandgreep en de achterhandgreep. Verwijder of verkort de afstandshouder niet.

OPMERKING: In sommige landen wordt de afstandshouder niet bij het gereedschap geleverd. Lijn in dat geval de handgreep uit met de verste lijn aangegeven door de pijlmarkeringen.



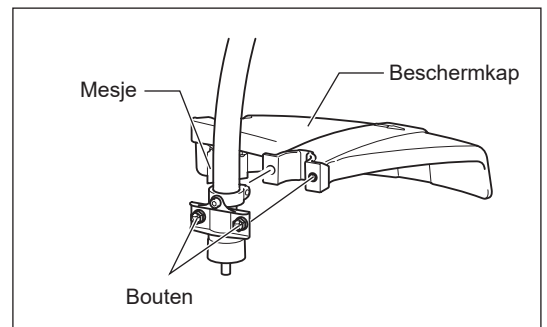
DE BESCHERMKAP MONTEREN

In naleving van de toepasselijke veiligheidsregels mogen uitsluitend de gereedschap/beschermkap-combinaties worden gebruikt die in de afbeelding worden aangegeven.

⚠ LET OP: Raak het mesje in de beschermkap niet aan. Als u het mesje met blote handen aanraakt, kunt u zich verwonden.

De beschermkap moet worden aangebracht om de nylondraad op de juiste lengte te houden en om de gebruiker te beschermen tegen opgeworpen stenen en vuil. Breng de beschermkap aan volgens de onderstaande stappen.

1. Plaats de beschermkap zodanig dat de rib op de schacht valt in de groef van de beschermkap.
2. Draai de twee bouten vast.



DE NYLONDRAAD-SNIJKOP MONTEREN

⚠ WAARSCHUWING: Gebruik nooit een snijblad.

Gebruik altijd een originele MAKITA-nylondraad-snijkop.

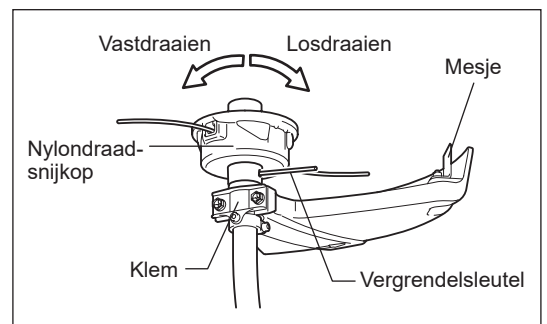
- Als de nylondraad-snijkop een steen raakt tijdens het gebruik, moet u de motor onmiddellijk uitzetten en de nylondraad-snijknop controleren.

⚠ LET OP: Raak het mesje in de beschermkap niet aan. Als u het mesje met blote handen aanraakt, kunt u zich verwonden.

Breng een nylondraad-snijkop aan volgens de onderstaande stappen.

1. Steek de vergrendelsleutel in het gat in de klem. Draai hem rond terwijl u de vergrendelsleutel naar binnen duwt tot ze zijn vergrendeld.
2. Schroef een nylondraad-snijkop op de schacht door het rechtsom te draaien. Controleer of hij stevig is gemonteerd.
3. Haal de vergrendelsleutel eruit.

Om de nylondraad-snijkop eraf te halen, draait u hem linksom.



VÓÓR HET BEGIN VAN HET WERK

Controleren en bijvullen van de motorolie

- Voer de volgende procedure uit bij koude motor.
- Plaats de motor horizontaal, draai de olievuldop eraf (zie afb. 1) en controleer of het oliepeil tussen de inwendige randen in de oliebus voor de boven- en ondergrens van het oliepeil staat (zie afb. 2).
- Vul motorolie bij tot aan de markering van de bovengrens als er te weinig motorolie in zit (het oliepeil is dicht bij de ondergrens) (zie afb. 3).
- Het gebied tussen de markeringen op de buitenkant is doorzichtig zodat het oliepeil van buitenaf kan worden gecontroleerd zonder de olievuldop eraf te hoeven draaien. Echter, wanneer de oliebus erg vuil is geworden, kan deze ondoorzichtig zijn en moet het oliepeil worden gecontroleerd aan de hand van de inwendige randen binnenin de oliebus.
- Ter informatie, na ongeveer iedere 10 bedrijfsuren moet olie worden bijgevuld (10 keer of 10 tanks vol brandstof voordat olie moet worden bijgevuld).
Als de olie door vuil van kleur is veranderd, ververs u de vuile olie door nieuwe. (Raadpleeg pagina 86 voor informatie over de verversingsinterval en verversingsprocedure.)

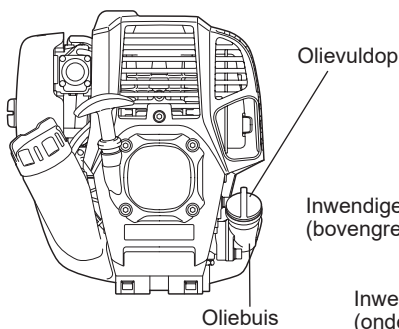
Aanbevolen olie: SAE 10W-30 olie van API-classificatie, SF-klasse of beter (4-taktmotorolie voor auto's)

Hoeveelheid olie: Ongeveer 0,08 liter

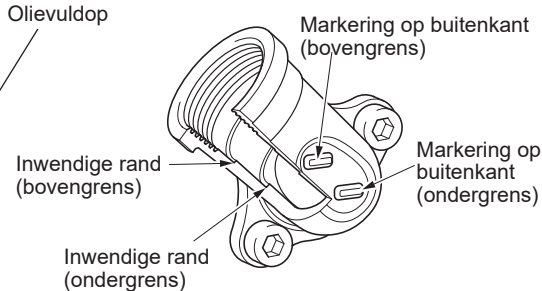
OPMERKING: Als de motor niet horizontaal wordt gehouden, kan olie naar andere delen van de motor stromen. De oliepeilstok kan een onjuiste uitlezing van het oliepeil aangeven.
Vul geen olie bij als de motor niet horizontaal staat. Als de olie tot boven het bovenste merkteken wordt bijgevuld, kan de olie gemorst worden en vlam vatten waarbij witte rook vrijkomt.

Tip 1 bij het verversen van de olie: "Olievuldop"

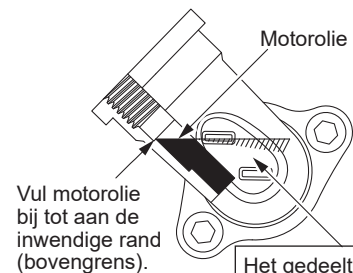
- Verwijder stof of vuil rondom de olievulopening en draai de olievuldop eraf.
- Zorg ervoor dat geen zand of stof op de olievuldop komt. Als dit toch gebeurt, kan het zand of stof dat aan de olievuldop kleeft leiden tot een onregelmatige oliecirculatie of slijtage van de motoronderdelen, waardoor storingen kunnen ontstaan.



Afb. 1

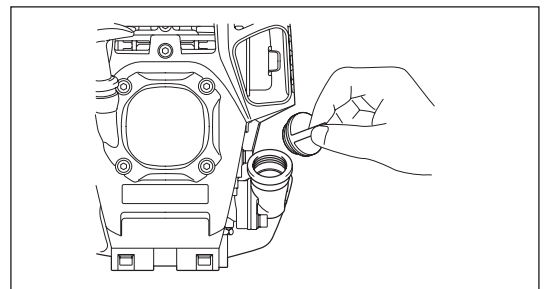


Afb. 2 Oliebus

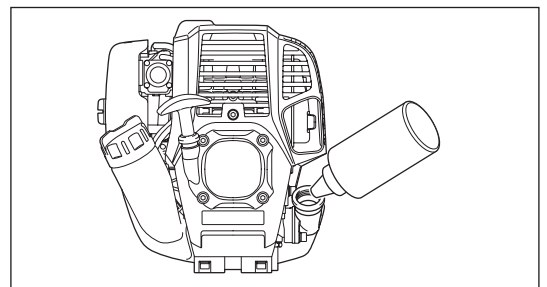


Afb. 3

(1) Houd de motor horizontaal en draai de olievuldop eraf.



(2) Vul motorolie bij tot aan de markering van de bovengrens (zie afb. 3).
Gebruik voor het bijvullen een oliefles.



(3) Draai de olievuldop stevig vast. Bij onvoldoende vastdraaien kan olie eruit lekken.

Opmerking

- Ververs de olie niet met de motor in een gekantelde positie.
- Als olie wordt bijgevoerd terwijl de motor is gekanteld, kan te veel olie worden bijgevoerd waardoor verontreiniging en/of witte rook wordt veroorzaakt.

Tip 2 bij het verversen van de olie: "Olielekkage"

- Als olie eruit lekt tussen de brandstoftank en het motorblok, wordt de olie via de koelluchtinlaatopening naar binnen gezogen waardoor de motor verontreinigd raakt. Veeg gelekte olie af voordat u met het werk begint.

BRANDSTOF BIJVULLEN

Omgaan met brandstof

Het is noodzakelijk uiterst voorzichtig om te gaan met brandstof. Brandstof kan stoffen bevatten die ook in oplosmiddelen voorkomen. Het bijvullen van brandstof moet gebeuren in een vertrek met een voldoende goede ventilatie of in de open lucht. Adem nooit brandstofdampen in en houd afstand tot de brandstof. Als uw huid herhaaldelijk in aanraking komt met brandstof gedurende een lange tijd, wordt uw huid droog, waardoor een huidziekte of allergie kan ontstaan. Als brandstof in uw oog komt, spoelt u uw oog uit met schoon water. Als uw oog daarna blijft irriteren, raadpleegt u een dokter.

Bewaartermijn van brandstof

Brandstof dient binnen een periode van 4 weken te worden gebruikt, ook wanneer de brandstof wordt bewaard in een speciale jerrycan op een goed geventileerde en schaduwrijke plaats.

Anders kan de brandstof binnen één dag verslechteren.

OPSLAG VAN MAAIER EN JERRYCAN

- Bewaar het gereedschap en de jerrycan op een koele plaats uit direct zonlicht.
- Bewaar brandstof nooit in een auto.

Brandstof

De motor is een viertaktmotor. Gebruik uitsluitend loodvrije benzine voor auto's met een octaangehalte van 87 of hoger ((R+M)/2). De benzine mag niet meer dan 10% alcohol bevatten (E-10).

Tips voor het omgaan met brandstof

- Gebruik nooit mengsmering, waarin motorolie zit. Als u dat doet, zal buitensporige koolafzetting of mechanische storing optreden.
- Als verslechterde olie wordt gebruikt, zal dat leiden tot onregelmatig starten.

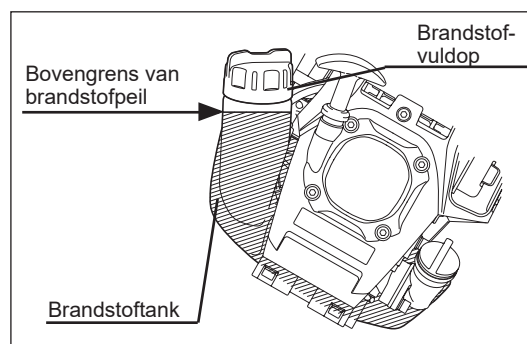
Brandstof bijvullen

⚠ WAARSCHUWING: Schakel de motor uit alvorens brandstof bij te vullen, blijf uit de buurt van open vuur en rook niet.

Gebruikte benzine: Loodvrije benzine voor auto's met een octaangehalte van 87 of hoger. Niet meer dan 10% alcohol (E-10).

- Draai de brandstofvuldop een klein stukje los en de druk in de brandstoftank af te laten.
- Draai de brandstofvuldop eraf, vul brandstof bij en laat de lucht uit de brandstoftank stromen door de brandstoftank iets te kantelen zodat de brandstofvulopening recht omhoog wijst. NIET bijvullen tot in de vulopening van de brandstoftank.
- Veeg de buitenkant van de brandstofvuldop goed schoon om te voorkomen dat vuil in de brandstoftank terecht komt.
- Na het bijvullen van brandstof draait u de brandstofvuldop weer vast.

- Als enige onvolkomenheid of schade aan de brandstofvuldop wordt geconstateerd, moet deze worden vervangen.
- De brandstofvuldop is na verloop van tijd versleten. Vervang de brandstofvuldop iedere twee of drie jaar.
- GEEN brandstof bijvullen in de olievlopening.



TIPS VOOR GEBRUIK EN PROCEDURE VOOR STOPPEN

Volg de toepasselijke voorschriften voor ongevalpreventie!

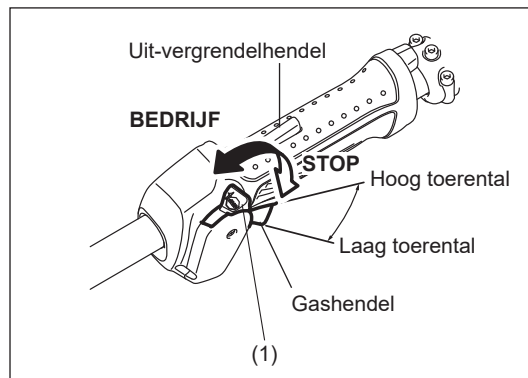


STARTEN

Houd ten minste 3 meters afstand tot de plaats waar brandstof is bijgevuld. Plaats het gereedschap op de grond en zorg ervoor dat de snijgarnituur de grond of andere voorwerpen niet raakt.

A: Startprocedure bij koude motor

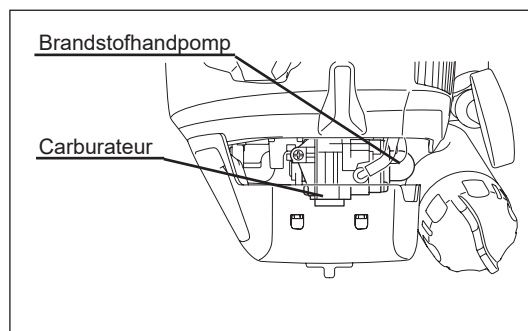
- 1) Plaats het gereedschap op een vlakke ondergrond.
- 2) Zet de stopschakelaar (1) in de stand **BEDRIJF**.



- 3) Brandstofhandpomp

Blijf op de brandstofhandpomp drukken tot de brandstof in de brandstofhandpomp stroomt. (Over het algemeen stroomt de brandstof in de brandstofhandpomp na 7 tot 10 keer duwen.)

Als te vaak op de brandstofhandpomp wordt gedrukt, vloeit het overschot aan brandstof terug naar de brandstoftank.



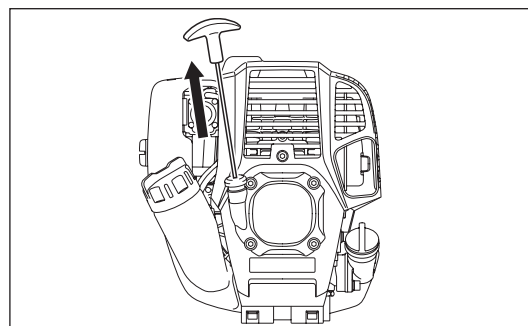
- 4) Trekstartinrichting

Trek voorzichtig aan de trekstarthandgreep tot u weerstand voelt (compressiepunten). Laat de trekstarthandgreep terugtrekken en trek er vervolgens krachtig aan.

Trek nooit door tot aan het einde van het trekstartkoord. Nadat aan de trekstarthandgreep is getrokken, mag u hem niet onmiddellijk loslaten. Houd de trekstarthandgreep vast tot het trekstartkoord is opgewonden in de trekstartinrichting.

- 5) Opwarmen

Laat de motor gedurende 2 tot 3 minuten opwarmen.



OPMERKING: In geval van een overmatige brandstoftoevoer (verzuipen), verwijdert u de bougie en trekt u langzaam aan de trekstarthandgreep om overtollige brandstof te verwijderen. Maak ook het elektrodengedeelte van de bougie droog.

B: Startprocedure bij warme motor

- 1) Druk herhaaldelijk op de brandstofhandpomp.
- 2) Laat de gashendel in de stand voor stationair draaien staan.
- 3) Trek krachtig aan de trekstarthandgreep.
- 4) Als de motor moeilijk te starten is, zet u de chokehendel ongeveer 1/3 open.

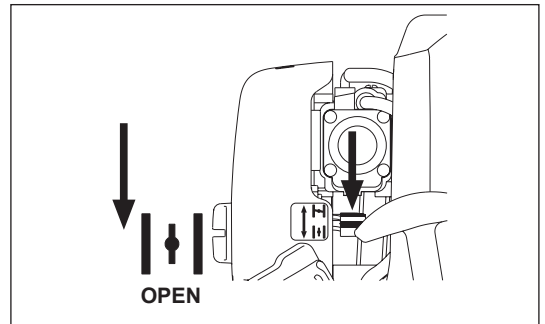
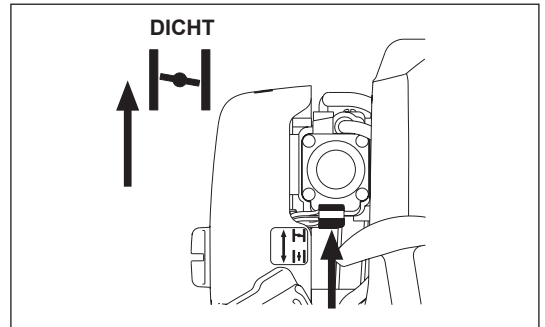
Wanneer de motor moeilijk te starten is, zoals in de winter

Gebruik de chokehendel volgens de volgende procedure om de motor te starten.

- Nadat de stappen 1) tot en met 3) van de startprocedure zijn uitgevoerd, zet u de chokehendel in de stand DICHT.
- Voer stap 4) van de startprocedure uit en start de motor.
- Nadat de motor is gestart, zet u de chokehendel in de stand OPEN.
- Voer stap 5) van de startprocedure uit en voltooi het opwarmen.

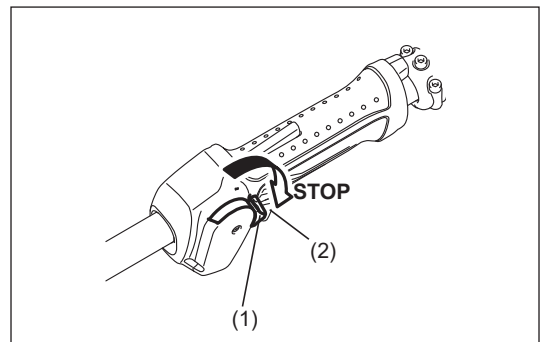
⚠ LET OP: Wanneer een dreun (geluid van een explosie) wordt gehoord en de motor afslaat, of de zojuist gestarte motor afslaat voordat de chokehendel wordt bediend, zet u de chokehendel terug in de stand OPEN, en trekt u weer enkele keren aan de trekstarthandgreep om de motor te starten.

⚠ LET OP: Als de chokehendel in de stand DICHT blijft staan en alleen enkele keren aan de trekstarthandgreep wordt getrokken, wordt te veel brandstof aangezogen en zal de motor moeilijk te starten zijn.



STOP

- 1) Laat de gashendel (2) volledig los en, nadat het motortoerental is afgenomen, duw de stopschakelaar (1) naar de stand "STOP" om de motor uit te schakelen.
- 2) Bedenk dat het snijgarnituur wellicht niet onmiddellijk stopt en laat het volledig uitdraaien.

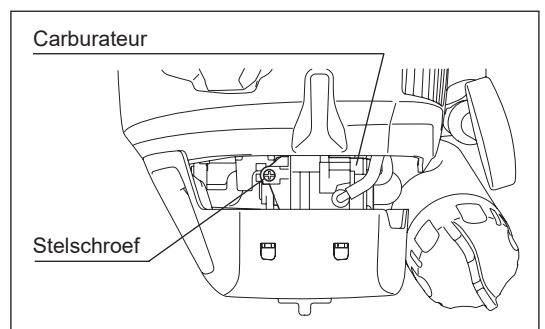


HET LAAG TOERENTAL (VOOR STATIONAIR DRAAIEN) AFSTELLEN

Als het nodig is het laag toerental (voor stationair draaien) af te stellen, doet u dit met behulp van de stelschroef op de carburateur.

HET LAAG TOERENTAL CONTROLEREN

- Stel het laag toerental af op 3.000 toeren min⁻¹.
Als het nodig is het laag (stationair) toerental af te stellen, gebruikt u een kruiskopschroevendraaier en draait u de stelschroef in de afbeelding rechts.
- Draai de stelschroef rechtsonder om het motortoerental te verhogen. Draai de stelschroef linksom om het motortoerental te verlagen.
- De carburator is over het algemeen goed afgesteld vóór aflevering aan de klant. Na enkele keren benzine bijgevuld te hebben, kan het nodig zijn het stationair toerental af te stellen.



DE NYLONDRAAD-SNIJKOP

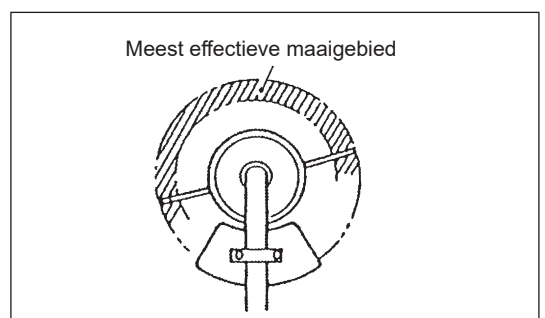
Gebruik tijdens het werk de punt van de nylondraad om te maaien.

De nylondraad aanvoeren

Als de nylondraad versleten en kort is geworden door het maaien, moet de gebruiker deze handmatig aanvoeren.

Om de nylondraad aan te voeren, stoot u de snijkop tegen de grond terwijl deze ronddraait met ongeveer 6.000 min⁻¹.

OPMERKING: Als de nylondraad niet wordt aangevoerd, wikkelt u deze opnieuw op.



De nylondraad vervangen

⚠ WAARSCHUWING: Controleer of het deksel van de nylondraad-snijkop goed op de behuizing is bevestigd, zoals hieronder beschreven. Als u het deksel niet stevig bevestigt, kan de nylondraad-snijkop uit elkaar vliegen en ernstig persoonlijk letsel veroorzaken.

Druk de vergrendelknoppen van de behuizing naar binnen om het deksel eraf te tillen. Gooi eventueel resterende nylondraad weg.

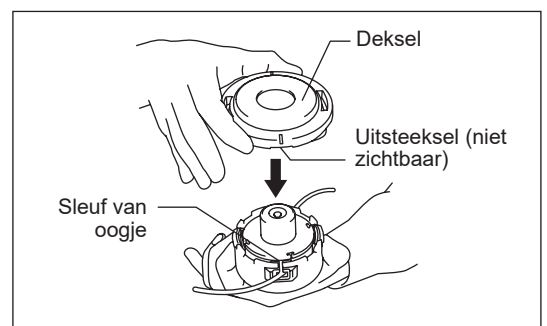
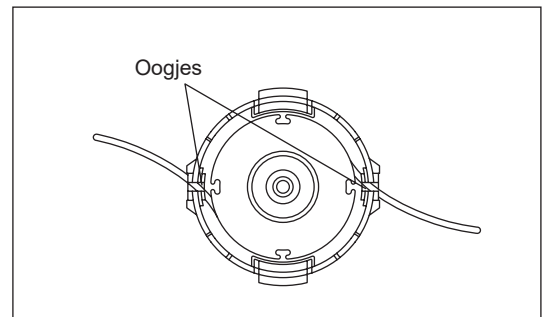
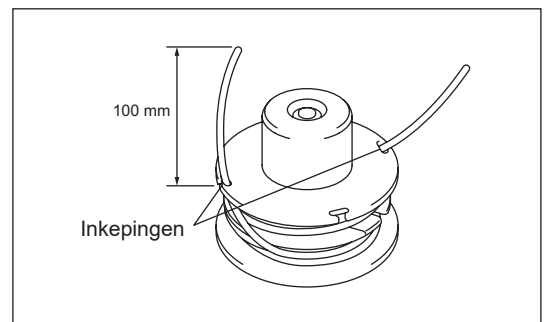
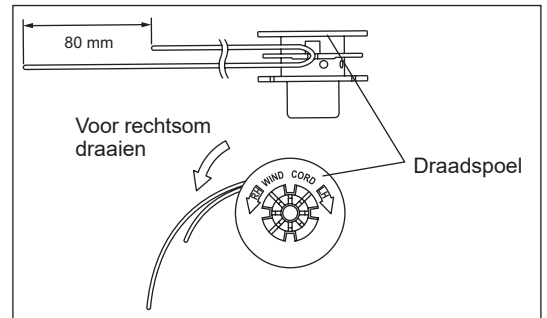
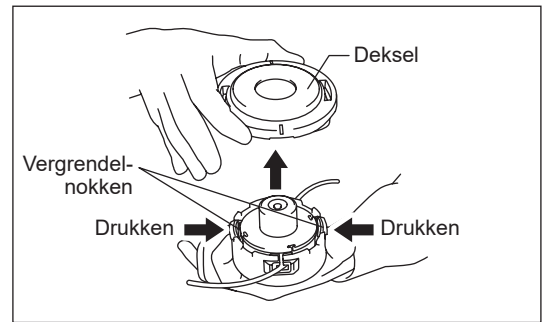
Haak het midden van de nieuwe nylondraad in de inkeping in het midden van de draadspoel tussen de 2 kanalen waarin de nylondraad moet worden opgewikkeld. Eén uiteinde van de nylondraad moet ongeveer 80 mm langer zijn dan het andere uiteinde.

Wikkel beide uiteinden stevig op de draadspoel in de richting aangegeven op de snijkop met RH voor rechterwikkeldrichting.

Wikkel op 100 mm na de volledige lengte van de nylondraad op de draadspoel, en haak de uiteinden tijdelijk in de inkeping in de zijkant van de draadspoel.

Plaats de draadspoel zodanig in de behuizing dat de groeven en uitsteeksels op de draadspoel overeenkomen met die in de behuizing. Maak nu de uiteinden van de nylondraad los uit hun tijdelijke positie en voer de nylondraden door de oogjes zodat ze uit de behuizing steken.

Lijn het uitsteeksel op de onderkant van het deksel uit met de sleuven naar de oogjes. Druk daarna het deksel stevig op de behuizing zodat hij wordt vergrendeld. Controleer of de vergrendelknoppen zich volledig spreiden in het deksel.



ONDERHOUDSINSTRUCTIES

⚠ LET OP: Voordat u werkzaamheden uitvoert aan het gereedschap, moet u altijd de motor uitschakelen en de bougiekap van de bougie aftrekken (zie "De bougie controleren").
Draag altijd veiligheidshandschoenen!

Om een lange levensduur te garanderen en eventuele schade aan het gereedschap te voorkomen, moeten de volgende onderhoudswerkzaamheden regelmatig uitgevoerd worden.

Dagelijkse controle en onderhoud

- Controleer het gereedschap voor het gebruik op losse bouten of ontbrekende onderdelen. Let er met name goed op of de nylon-snijkop goed vastgedraaid is.
- Controleer voor gebruik altijd op verstopping van de koelluchtinlaatopening en de koelribben van de cilinder. Maak deze plaatsen zo nodig schoon.
- Voer de volgende werkzaamheden dagelijks uit na het gebruik:
 - Reinig de buitenkant van het gereedschap en inspecteer op beschadigingen.
 - Maak het luchtfilter schoon. Als onder extreem stoffige omstandigheden wordt gewerkt, moet het filter meerdere keren per dag worden gereinigd.
 - Controleer de nylondraad-snijkop op schade en controleer of hij stevig bevestigd is.
 - Controleer of er voldoende verschil is tussen het stationair toerental en het aangrijptoerental om zeker te zijn dat het snijgarnituur stilstaat wanneer de motor stationair draait (verlaag zo nodig het stationair toerental).
In het geval het hulpstuk bij stationair toerental blijft draaien, neemt u contact op met het dichtstbijzijnde, erkende servicecentrum.
- Controleer de werking van de stopschakelaar, de uit-vergrendelhendel, de gashendel, en de vergrendelingsknop.

MOTOROLIE VERVERSEN

Verslechterde motorolie verkort de levensduur van de motor. Controleer de olie en het oliepeil regelmatig.



LET OP: Over het algemeen zijn de motor zelf en de motorolie heet kort nadat de motor is uitgeschakeld. Alvorens de motorolie te verversen, controleert u op de motor zelf en de motorolie voldoende zijn afgekoeld. Als u dit niet doet, bestaat de kans op verbranding.

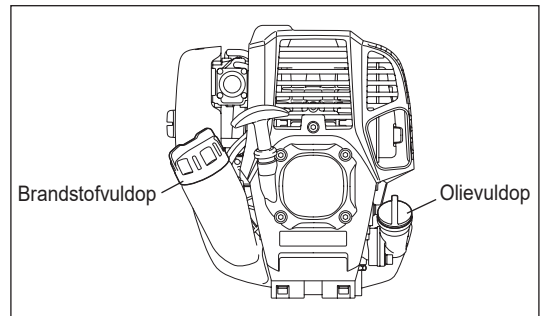
OPMERKING: Als de olie tot boven het bovenste merkteken wordt bijgevuld, kan de olie gemorst worden en vlam vatten waarbij witte rook vrijkomt.

Verversingsinterval: Na de eerste 20 bedrijfsuren en vervolgens na iedere 50 bedrijfsuren.

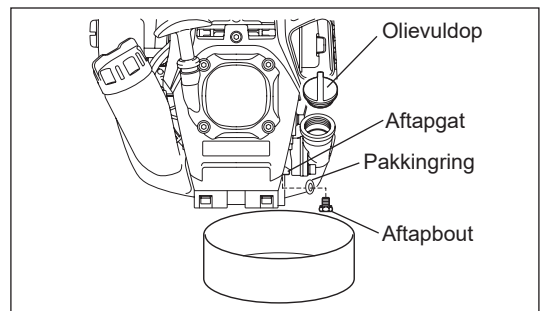
Aanbevolen olie: SAE 10W-30 olie van API-classificatie, SF-klasse of beter (4-taktmotorolie voor auto's)

Volg de onderstaande procedure om de olie te verversen.

- 1) Controleer of de brandstofvuldop stevig vastgedraaid is.
- 2) Plaats een grote opvangbak (pan, enz.) onder het aftapgat.



- 3) Verwijder de aftapbout en draai daarna de olievuldop eraf om de motorolie af te tappen uit het aftapgat. Wees hierbij voorzichtig de pakkingring van de aftapbout niet kwijt te raken en de verwijderde onderdelen niet vuil te maken.



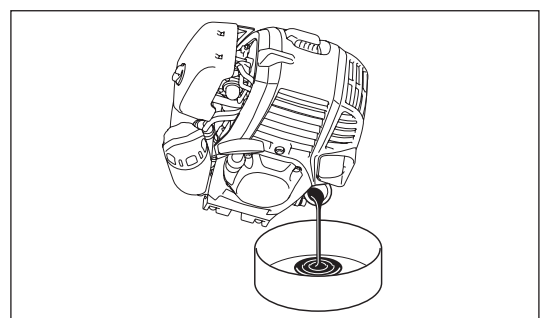
- 4) Nadat de motorolie is afgetapt, plaatst u de aftapbout en pakkingring en draait u de aftapbout stevig vast, zodat deze niet kan losraken en gaan lekken.

* Gebruik een poetsdoek om de motorolie die aan de aftapbout en het gereedschap zit volledig af te vegen.

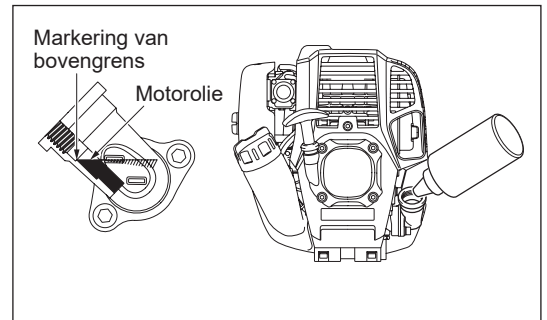
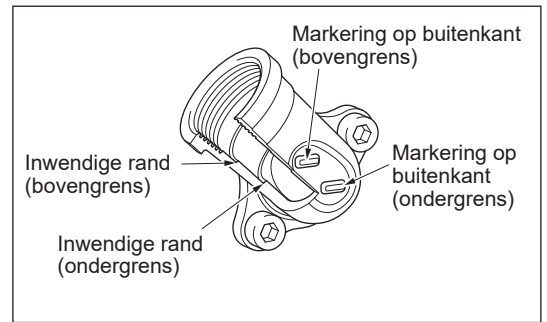
Alternatieve methode voor het aftappen van de motorolie

Draai de olievuldop eraf, kantel het gereedschap in de richting van de olievulopening en tap de olie af.

Vang de motorolie op in een opvangbak.



- 5) Plaats de motor horizontaal en vul geleidelijk nieuwe motorolie bij tot aan de markering van de bovengrens.
- 6) Draai na het bijvullen de olievuldop stevig vast, zodat deze niet kan losraken en gaan lekken.
Als de olievuldop niet stevig wordt vastgedraaid, kan deze gaan lekken.



TIPS VOOR HET OMGAAN MET OLIE

- Gooi verbruikte motorolie nooit weg met het afval, op de grond, of in een rioolput. Het weggooien van olie is bij wet geregeld. Houd u bij het weggooien altijd aan de betreffende wetten en regelgeving. In het geval u hierover vragen heeft, neemt u contact op met een erkend servicecentrum.
- Olie verslechtert, ook wanneer de olie niet wordt gebruikt. Controleer en ververs de olie regelmatig (ververs de olie iedere 6 maanden).

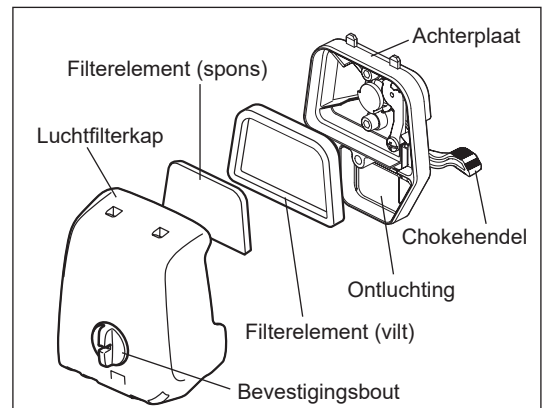
HET LUCHTFILTER REINIGEN



WAARSCHUWING: Schakel de motor uit, blijf uit de buurt van open vuur en rook niet.

Controle- en reinigingsinterval: Dagelijks (iedere 10 bedrijfsuren)

- Zet met de chokehendel de choke helemaal dicht en houd de carburateur vrij van stof of vuil.
- Draai de bevestigingsbout los.
- Verwijder de luchtfilterkap door aan de onderkant te trekken.
- Verwijder de luchtfilterelementen en tik ertegen om het vuil te verwijderen.
- Als de luchtfilterelementen zwaar verontreinigd zijn:
Verwijder de luchtfilterelementen, dompel ze in warm water of in een oplossing van een mild schoonmaakmiddel in water, en droog ze grondig. Knijp er niet in en wrijf er niet over tijdens het wassen.
- Alvorens de luchtfilterelementen terug te plaatsen, moeten deze grondig droog zijn. Als de luchtfilterelementen onvoldoende droog worden teruggeplaatst, kan dat leiden tot moeilijk starten.
- Veeg olie die rondom de luchtfilterkap en de ontluchting zit af met een poetsdoek.
- Plaats het filterelement (spons) in het filterelement (vilt). Plaats de filterelementen zodanig in de achterplaat dat de spons aan de kant van de luchtfilterkap zit.
- Plaats de luchtfilterkap onmiddellijk terug en zet hem vast met de bevestigingsbouten. (Plaats bij het monteren eerst de bovenrand en daarna de onderrand.)



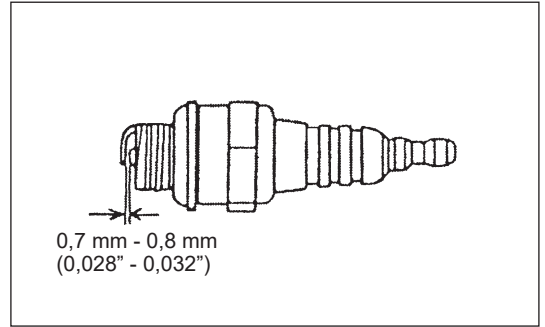
OPMERKING:

- Reinig de luchtfilterelementen meerdere keren per dag als onder extreem stoffige omstandigheden wordt gewerkt. Vervuilde luchtfilterelementen verlagen het motorvermogen en bemoeilijken het starten van de motor.
- Verwijder de olie op de luchtfilterelementen. Als u blijft doorwerken terwijl de luchtfilterelementen vervuild zijn met olie, kan de olie buiten het luchtfilter terechtkomen en tot milieuverontreiniging leiden.
- Plaats de luchtfilterelementen niet op de grond of op een vieze plaats. Er kan dan vuil of rommel aan blijven plakken waardoor de motor kan worden beschadigd.
- Gebruik nooit brandstof om de luchtfilterelementen te reinigen. Ze kunnen door de brandstof worden beschadigd.

DE BOUGIE CONTROLEREN

- Gebruik alleen de bijgeleverde moersleutel om de ontstekingsbougie te verwijderen of te installeren.
- De afstand tussen de twee elektroden van de bougie moet 0,7 tot 0,8 mm (0,028" - 0,032") bedragen. Als de afstand te groot of te klein is, moet u deze aanpassen. Als de elektroden van de bougie verstopt of vervuild zijn, moet u deze grondig schoonmaken of de bougie vervangen.

⚠ LET OP: Raak de bougiekap nooit aan terwijl de motor draait (gevaar van elektrische schok door hoogspanning).



HET BRANDSTOFFILTER REINIGEN

⚠ WAARSCHUWING: STRENG VERBODEN VOOR ONTBRANDBARE MATERIELEN

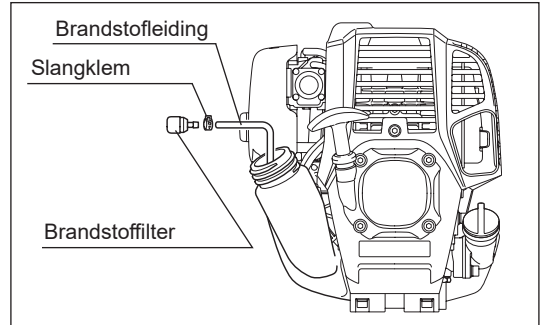
Controle- en reinigingsinterval: Maandelijks (iedere 50 bedrijfsuren)

Zuigkop in brandstoftank

Controleer het brandstoffilter regelmatig. Volg de onderstaande stappen om het brandstoffilter te controleren.

- (1) Verwijder de brandstoftankvuldop en tap de brandstof af totdat de brandstoftank leeg is. Controleer de binnenkant van de brandstoftank op eventuele vreemde stoffen. Als u iets vindt, verwijdert u dit.
- (2) Gebruik een draadhaak om de zuigkop uit de brandstofvulopening te trekken.
- (3) Als het brandstoffilter enigszins verstopt is, reinigt u het. Om het te reinigen, schudt u het en tikt u ertegen in de brandstof. Om beschadiging te voorkomen, knijpt u er niet in en wrijft u er niet over. De brandstof die is gebruikt voor het reinigen moet worden weggegooid volgens de methode beschreven in de regelgeving van uw land.
Als het brandstoffilter hard of ernstig verstopt is, vervangt u het.
- (4) Na het controleren, reinigen of vervangen van het brandstoffilter, duwt u het zo ver mogelijk omlaag tot onderin de brandstoftank.

Een verstopt of beschadigd brandstoffilter kan leiden tot onvoldoende brandstof toevoer en minder motorvermogen. Vervang het brandstoffilter ten minste iedere drie maanden om verzekerd te zijn van een goede brandstof toevoer naar de carburateur.

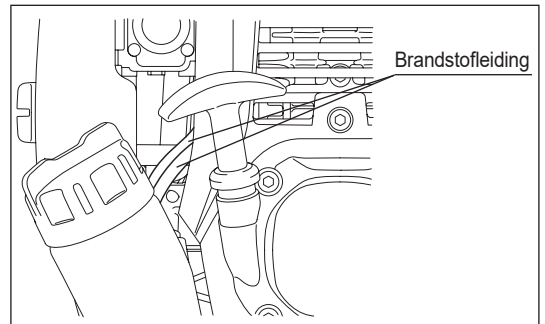


DE BRANDSTOFLEIDING VERVANGEN

⚠ LET OP: STRENG VERBODEN VOOR ONTBRANDBARE MATERIELEN

Controle- en reinigingsinterval: Dagelijks (iedere 10 bedrijfsuren)
Vervanging: Jaarlijks (iedere 200 bedrijfsuren)

Vervang de brandstofleiding ieder jaar, ongeacht de gebruiksfrequentie. Brandstoflekkage kan brand veroorzaken. Als tijdens de inspectie een lekkage wordt gevonden, vervangt u de brandstofleiding onmiddellijk.



DE BOUTEN, MOEREN EN SCHROEVEN INSPECTEREN

- Draai losse bouten, moeren, enz., weer vast.
- Controleer of de brandstofvuldop en olievuldop goed vastgedraaid zijn. Controleer op brandstof- en olie lekkage.
- Vervang beschadigde onderdelen door nieuwe voor een veilig gebruik.

DE ONDERDELEN REINIGEN

- Houd de motor altijd schoon.
- Houd de koelribben van de cilinder en de luchtinlaat vrij van stof en vuil. Stof en vuil dat zich tussen de koelribben ophoopt, zal leiden tot het vastlopen van de zuiger.

DE AFDICHTINGEN EN PAKKINGEN VERVANGEN

Bij het weer in elkaar zetten van de motor moeten altijd de afdichtingen en pakkingen worden vervangen door nieuwe. Alle onderhouds- of afstelwerkzaamheden die niet in deze gebruiksaanwijzing zijn beschreven, mogen alleen worden uitgevoerd door een erkend servicecentrum.

OPSLAG



WAARSCHUWING: Controleer of de motor is uitgeschakeld en afgekoeld voordat u begint met het aftappen van de brandstof. Vlak na het uitschakelen van de motor, kan deze nog heet zijn en brandwonden, ontbranding of brand veroorzaken.



LET OP: Als het gereedschap gedurende een lange tijd niet gebruikt gaat worden, tapt u alle brandstof uit de brandstoftank en carburateur, en slaat u het op een droge, schone plaats op.

- Tap de brandstof af uit de brandstoftank en carburateur aan de hand van de volgende procedure:
 - 1) Draai de brandstofvuldop eraf en tap de brandstof volledig af.
Als een vreemde substantie is achtergebleven in de brandstoftank, verwijdert u deze volledig.
 - 2) Trek met behulp van een draadhaak het brandstoffilter uit de brandstofvulopening.
 - 3) Druk op de brandstofhandpomp totdat de brandstof daaruit en in de brandstoftank stroomt.
 - 4) Plaats het brandstoffilter in de brandstoftank en draai de brandstofvuldop stevig vast.
 - 5) Laat de motor vervolgens draaien tot deze afslaat.
- Verwijder de bougie en breng enkele druppels motorolie via het bougiegat in de cilinder.
- Trek voorzichtig aan de trekstarthandgreep zodat de motorolie zich door de motor verspreidt, en monteer daarna de bougie weer.
- Algemeen gesproken dient het gereedschap horizontaal te worden opgeborgen, of in het geval dit niet mogelijk is, bergt u het gereedschap zodanig op dat de motor lager geplaatst is dan het snijgarnituur omdat anders motorolie van binnenuit kan lekken. Let goed op hoe het gereedschap wordt opgeborgen om te voorkomen dat het gereedschap valt. Als u dit niet doet, kan dat leiden tot persoonlijk letsel.
- Bewaar de afgetapte brandstof in een speciale jerrycan op een goed geventileerde plaats in de schaduw.

Aandachtspunt na langdurige opslag

- Alvorens de motor na langdurige stilstand opnieuw te starten, moet de olie worden ververs (zie pag. 86). De olie verslechtert terwijl het gereedschap niet in gebruik is.

Storingzoeken

Probleem	Systeem	Waarneming	Oorzaak
Motor start niet of moeilijk	Ontstekingsstelsel	Ontstekingsvonk OK	Fout in brandstoftoevoer of compressiesysteem, mechanisch defect
		Geen ontstekingsvonk aanwezig	Stopschakelaar ingeschakeld, bedradingsfout of kortsluiting, bougie of bougiekap defect, ontstekingsmodule defect
	Brandstoftoevoersysteem	Brandstoftank is vol	Onjuiste stand van chokehendel, carburateur defect, brandstofleiding geknikt of verstopt, brandstof vuil
	Compressie	Geen compressie bij aantrekken	Cilindervoetpakking defect, krukasafdichtingen beschadigd, cilinder of zuigerveren defect, of slechte afdichting van bougie
Problemen bij starten van warme motor	Mechanisch defect	Starter grijpt niet aan	Gebroken startveer, gebroken onderdelen binnenin de motor
		Brandstoftank vol, ontstekingsvonk aanwezig	Carburateur is vervuild. Laat deze schoonmaken.
Motor start, maar slat af	Brandstoftoevoersysteem	Brandstoftank is vol	Verkeerde afstelling stationair draaien, carburateur vervuild Ontluchting brandstoftank defect, brandstofleiding niet open, gaskabel of stopschakelaar defect
Onvoldoende prestaties	Mogelijk zijn meerdere systemen tegelijk de oorzaak	Slecht stationair lopen	Luchtfilter is vervuild, carburateur is vervuild, uitlaatdemper is verstopt, uitlaatkanaal in de cilinder is verstopt

Item	Gebruikstijd	Voor gebruik	Na smeren	Dagelijks (10 uur)	30 uur	50 uur	200 uur	Uitschakelen/ rusten	Zie pagina
Motorolie	Inspecteren/ reinigen	○							81
	Vervang					○*1			86
Vastdraaien (bouten, moeren, enz.)	Inspecteren	○							88
Brandstoftank	Reinigen/ inspecteren	○							—
	Brandstof aftappen							○*3	89
Gashendel	Werking controleren		○						—
Stopschakelaar	Werking controleren		○						84
Snijgarnituur	Inspecteren	○		○					80
Laag toerental	Inspecteren/ afstellen			○					84
Luchtfilter	Schoonmaken			○					87
Bougie	Inspecteren			○					88
Koelluchtinlaat	Reinigen/ inspecteren			○					88
Brandstofleiding	Inspecteren			○					88
	Vervang						◎*2		—
Brandstoffilter	Reinigen/ vervangen					○			88
Afstand tussen luchtinlaatklep en luchtuitlaatklep	Stel af						◎*2		—
Motor reviseren							◎*2		—
Carburateur	Brandstof aftappen							○*3	89

*1 Eerste keer ververset na 20 bedrijfsuren.

*2 Vraag een erkend servicecentrum of een machinewerkplaats om de inspectie na 200 bedrijfsuren uit te voeren.

*3 Na het aftappen van de brandstoftank, laat u de motor draaien om de brandstof in de carburateur op te gebruiken.

PROBLEMEN OPLOSSEN

Alvorens een verzoek voor reparatie in te dienen, controleer u de storing zelf aan de hand van de onderstaande tabel. Als een probleem is gevonden, repareert u het gereedschap aan de hand van de beschrijvingen in deze gebruiksaanwijzing. Probeer nooit enig onderdeel te demonteren of repareren in strijd met de beschrijvingen. Voor reparatie neemt u contact op met een erkend servicecentrum of uw plaatselijke dealer.

Probleemomschrijving	Mogelijke oorzaak (storing)	Oplossing
Motor start niet	De brandstofhandpomp werd niet ingedrukt	Druk deze 7 tot 10 keer in
	Te zwak trekken aan de trekstarthandgreep	Trek krachtig
	Gebrek aan brandstof	Vul brandstof bij
	Verstopt brandstoffilter	Schoonmaken
	Gebroken brandstofleiding	Maak de brandstofleiding recht
	Verslechterde brandstof	De verslechterde brandstof bemoeilijkt het starten. Vervang de brandstof door nieuwe. (Aanbevolen vervangingsinterval: 1 maand)
	Bougiekap ligt eraf	Bevestig stevig
	Vervuilde bougie	Schoonmaken
	Verkeerde elektrodenafstand van bougie	Stel de elektrodenafstand af
	Ander probleem met de bougie	Vervang
	Probleem met de carburateur	Dien een verzoek in voor inspectie en onderhoud.
	Trekstarthandgreep kan niet worden getrokken	Dien een verzoek in voor inspectie en onderhoud.
	Probleem met aandrijving	Dien een verzoek in voor inspectie en onderhoud.
Motor slaat snel af Motortoerental neemt niet toe	Onvoldoende opgewarmd	Warm de motor op
	Chokehendel staat in de stand DICHT ondanks dat de motor opgewarmd is	Zet in de stand OPEN
	Verstopt brandstoffilter	Reinig of vervang
	Vervuild of verstopt luchtfilter	Schoonmaken
	Probleem met de carburateur	Dien een verzoek in voor inspectie en onderhoud.
	Probleem met aandrijving	Dien een verzoek in voor inspectie en onderhoud.
Het snijgarnituur draait niet. ↓ Motor slaat onmiddellijk af	Het snijgarnituur is niet stevig bevestigd.	Draai het snijgarnituur stevig vast.
	Een twijg zit klem tussen het snijgarnituur en de beschermkap.	Verwijder het vreemde voorwerp.
	De aandrijving werkt niet goed.	Vraag een erkend Makita-servicecentrum om het te inspecteren en repareren.
Het gereedschap trilt abnormaal sterk. ↓ Motor slaat onmiddellijk af	Het snijgarnituur is kapot.	Vervang het snijgarnituur door een nieuwe.
	Het snijgarnituur is niet stevig bevestigd.	Draai het snijgarnituur stevig vast.
	Eén uiteinde van de nylonraden is gebroken en de snijkop is uit balans geraakt.	Voer de nylondraad aan door de snijkop op de grond te stoten.
	De aandrijving werkt niet goed.	Vraag een erkend Makita-servicecentrum om het te inspecteren en repareren.
Het snijgarnituur stopt niet. ↓ Motor slaat onmiddellijk af	Het aandrijfsysteem werkt niet goed.	Raadpleeg de gebruiksaanwijzing van het aandrijfsysteem.
Motor slaat niet af ↓ Laat de motor stationair draaien en zet de chokehendel in de stand DICHT.	Stekker losgeraakt	Bevestig stevig
	Probleem met elektrisch systeem	Dien een verzoek in voor inspectie en onderhoud.
De nylondraad wordt niet aangevoerd.	De nylondraad is opgebruikt of binnenin de draadspool in de knoop geraakt.	Wikkel de nylondraad opnieuw op.
De nylondraad is niet op de juiste lengte afgesneden.	Het mesje in de beschermkap is beschadigd of ontbreekt.	Vraag een erkend Makita-servicecentrum om het mesje te vervangen.
	De nylondraad steekt buiten de beschermkap uit.	Wikkel de nylondraad opnieuw op.

Als de motor niet start ondanks dat deze opgewarmd is:

Als bij het doorlopen van de controlepunten geen probleem wordt gevonden, zet u de chokehendel ongeveer 1/3 open en start u de motor.

Muchas gracias por comprar el equipo motorizado para exteriores de MAKITA. Nos complace recomendarle el producto MAKITA, que es el resultado de un largo programa de desarrollo y muchos años de investigación y experiencia. Lea este folleto que explica en detalle los diferentes aspectos que demostrarán su excelente rendimiento. Le ayudará a obtener los mejores resultados posibles del producto de MAKITA.



Tabla de contenido	Página
Símbolos.....	92
Instrucciones de seguridad.....	93
Datos técnicos.....	96
Denominación de las piezas.....	97
Montaje del asidero.....	98
Montaje del protector.....	98
Montaje del cabezal de corte de nylon.....	98
Antes del uso.....	99
Aspectos del manejo y cómo parar la máquina.....	101
Cabezal de corte de nylon.....	102
Instrucciones de servicio.....	104
Almacenamiento.....	107

SÍMBOLOS

Cuando lea el manual de instrucciones se encontrará con los siguientes símbolos.

	Lea el manual de instrucciones y respete las advertencias y las precauciones de seguridad		Utilice un casco de seguridad y protección para los ojos y oídos.
	Preste especial cuidado y atención		Máxima velocidad permitida de la herramienta
	Prohibido		Combustible (Gasolina)
	Mantenga la distancia		Encendido manual del motor
	Peligro de que salgan despedidos objetos		Parada de emergencia
	No fume		Primeros auxilios
	No la acerque a llamas		ENCENDIDO/ARRANQUE
	Deben utilizarse guantes protectores		APAGADO/PARADA
	Utilice botas robustas con suela antideslizante. Se recomienda utilizar botas de seguridad con puntera de acero		Nunca utilice cuchillas de metal
	Mantenga el área de operaciones libre de personas y animales		

INSTRUCCIONES DE SEGURIDAD

Instrucciones generales

- Lea este manual de instrucciones para familiarizarse con el manejo del equipo. Los usuarios con una información insuficiente se pondrán en riesgo a ellos mismos y pondrán en riesgo a otros a causa de un manejo incorrecto.
- Se recomienda prestar el equipo solamente a personas con experiencia comprobada. Entregue siempre el manual de instrucciones.
- Los usuarios que utilizan por primera vez la máquina deben pedir al distribuidor instrucciones básicas para familiarizarse con el manejo de desbrozadoras.
- No se debe permitir que los niños o las personas de menos de 18 años utilicen este equipo. No obstante, las personas de más de 16 años pueden usar el dispositivo con finalidades de aprendizaje bajo la supervisión de un instructor cualificado.
- Utilice el equipo con el máximo cuidado y la máxima atención.
- Utilícelo solamente si se encuentra en buen estado físico. Realice todo el trabajo con calma y con cuidado. El usuario tiene que aceptar la responsabilidad por otros.
- Nunca utilice este equipo tras consumir alcohol o medicamentos o si se siente cansado o enfermo.
- Las normativas nacionales pueden restringir el uso de la máquina.

Uso previsto de la máquina

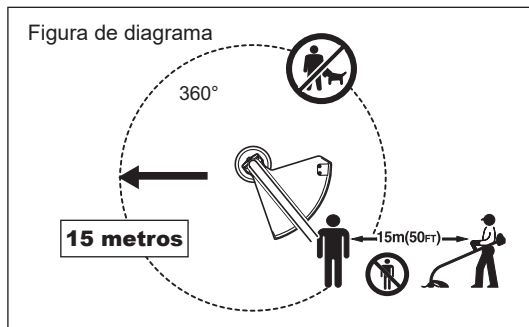
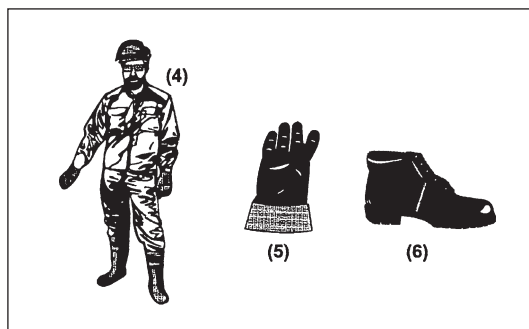
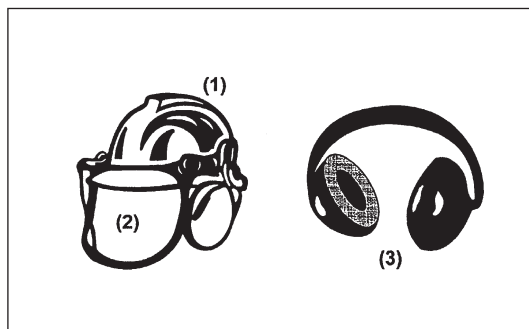
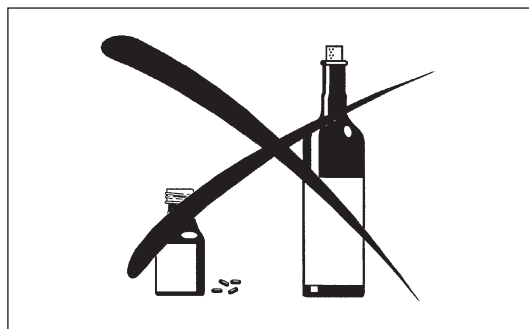
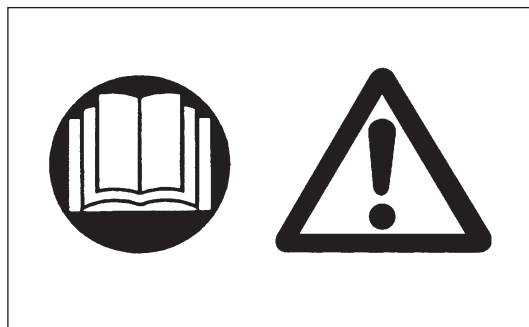
- Este equipo solamente se ha diseñado para cortar hierba y malas hierbas pequeñas. No se debe utilizar con ninguna otra finalidad, como canteado o cortado de setos, ya que se podrían causar lesiones.

Equipo de protección personal

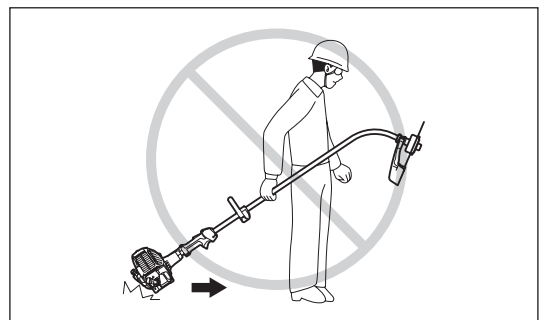
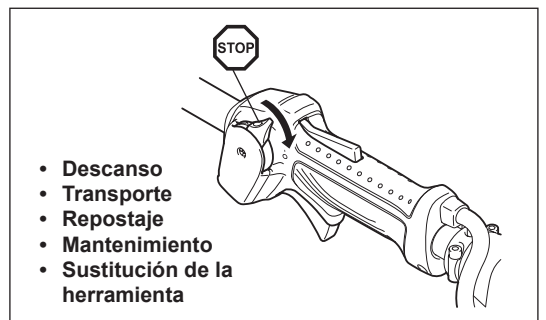
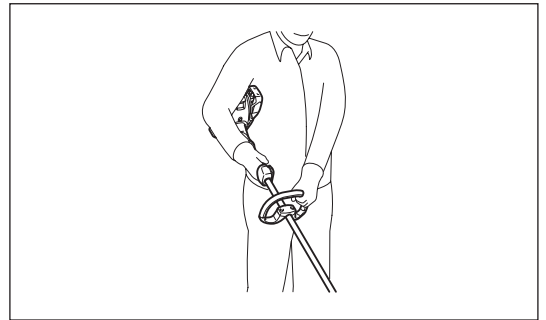
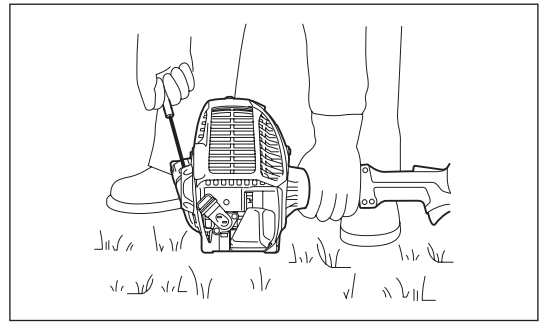
- Debe llevarse ropa funcional y apropiada, es decir, debe ser ajustada pero sin que sea incómoda. No lleve joyas ni prendas que puedan engancharse en arbustos o maleza.
- Para evitar lesiones en la cabeza, los ojos, las manos o los pies y para proteger los oídos, debe llevarse el siguiente equipo y la siguiente ropa de protección durante las operaciones.
- Utilice siempre un casco cuando haya riesgo de caída de objetos. Debe comprobarse periódicamente si el casco protector (1) tiene algún daño y se debe sustituir como máximo después de 5 años. Utilice solamente cascos protectores homologados.
- El visor (2) del casco (o, como alternativa, las gafas de seguridad) protege la cara de piedras y objetos que salen despedidos. Durante las operaciones utilice gafas de seguridad o un visor para evitar lesiones en los ojos.
- Utilice un equipo de protección acústica adecuado para evitar daños en el oído (protectores de oído (3), tapones para los oídos, etc.).
- El mono de trabajo (4) protege contra piedras y otros objetos que salen despedidos. Recomendamos utilizar un mono de trabajo.
- Los guantes (5) son parte del equipo obligatorio y siempre se deben utilizar durante las operaciones.
- Cuando utilice el equipo, utilice siempre zapatos robustos (6) con una suela que no resbale. De esta manera se protegerá contra lesiones y se asegurará de que los pies estén en una posición firme.

Puesta en marcha de la desbrozadora

- Asegúrese de que no haya niños u otras personas en un área de trabajo de 15 metros (50 pies) y preste atención también a cualquier animal que pueda estar cerca del lugar de trabajo.
- Antes del uso, compruebe que el equipo permita realizar las operaciones con seguridad: Compruebe la seguridad del accesorio de corte, el accionamiento sencillo de la palanca de la mariposa de gases y el correcto funcionamiento del bloqueo de la palanca de la mariposa de gases.
- No se permite el giro del accesorio de corte mientras funciona en vacío. Consulte los ajustes con su distribuidor en caso de duda. Compruebe que los asideros estén limpios y secos y pruebe el funcionamiento del interruptor de arranque/parada.

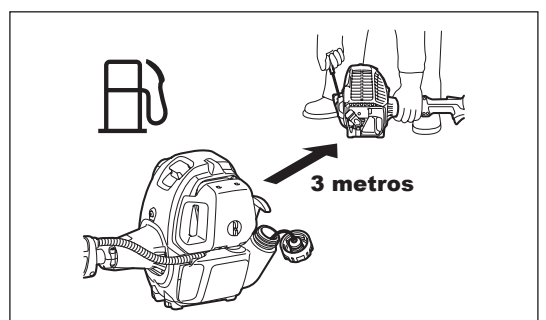
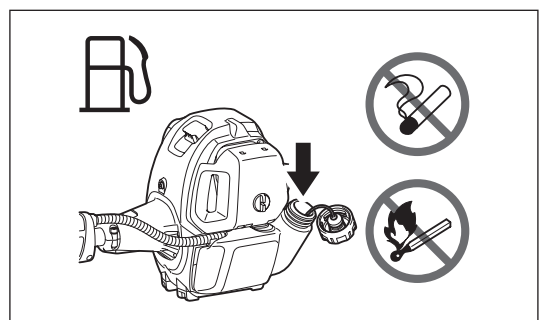


- Ponga en marcha la desbrozadora únicamente de acuerdo con las instrucciones.
- No utilice ningún otro método para poner en marcha el motor.
- Utilice la desbrozadora y las herramientas únicamente para las aplicaciones especificadas.
- Ponga en marcha el motor únicamente después de montar todo el conjunto. Solamente se permite utilizar el dispositivo después de conectar todos los accesorios adecuados.
- Antes de la puesta en marcha, asegúrese de que el accesorio de corte no esté en contacto con objetos duros tales como ramas, piedras, etc. ya que el accesorio de corte girará al poner en marcha la máquina.
- El motor se debe apagar inmediatamente si experimenta algún problema.
- Si el accesorio de corte golpea piedras u otros objetos duros, apague el motor inmediatamente e inspecciónelo.
- Inspeccione periódicamente el accesorio de corte para comprobar si hay daños (compruebe si hay grietas finas mediante pruebas de sonido).
- Si el equipo recibe un fuerte impacto o cae, compruebe su estado antes de continuar con el trabajo. Compruebe si hay fugas en el sistema de combustible y si los dispositivos de seguridad funcionan correctamente. Si hay daños o en caso de duda, solicite a nuestro centro de servicio autorizado que realice una inspección y reparación.
- Durante el manejo, sujete siempre la desbrozadora con ambas manos. Nunca sujete la desbrozadora con una mano durante el uso. Asegúrese siempre de que sus pies se encuentran en una posición segura.
- Utilice el equipo de forma que no inhale los gases de escape. Nunca haga funcionar el motor en lugares cerrados (riesgo de envenenamiento por gas). El monóxido de carbono es un gas inodoro.
- Apague el motor cuando descanse y cuando deje el equipo sin atender, y deje la herramienta en un lugar seguro para evitar un peligro para otras personas o que se dañe la herramienta.
- No deje nunca la desbrozadora sobre hierba seca o materiales combustibles.
- Instale siempre la protección del accesorio de corte aprobada en el equipo antes de poner en marcha el motor. De lo contrario, el contacto con el accesorio de corte puede provocar lesiones graves.
- Todas las piezas de protección y las protecciones suministradas con la máquina deben utilizarse durante el funcionamiento.
- Nunca haga funcionar el motor con un silenciador de escape defectuoso.
- Apague el motor durante el transporte.
- Asegúrese de que el equipo esté en una posición segura durante el transporte en un vehículo para evitar fugas de combustible.
- Durante el transporte, asegúrese de que el depósito de combustible esté completamente vacío.
- Cuando descargue el equipo de un camión, nunca deje caer el motor al suelo, ya que se puede dañar gravemente el depósito de combustible.
- Excepto en caso de emergencia, nunca deje caer ni lance el equipo hacia el suelo, ya que el equipo se puede dañar gravemente.
- No olvide levantar todo el equipo del suelo cuando lo mueva. Arrastrar el depósito de combustible es muy peligroso y causará daños, fugas de combustible y posiblemente un incendio.



Repostaje

- Apague el motor durante el repostaje, manténgase alejado de las llamas y no fume.
- Evite el contacto de la piel con productos de aceite mineral. No inhale el vapor de combustible. Utilice siempre guantes de protección durante el repostaje. Cambie y limpie regularmente la ropa protectora.
- Tenga cuidado de no derramar combustible o aceite para evitar la contaminación del suelo (protección medioambiental). Limpie la desbrozadora inmediatamente después del derrame de combustible.
- Evite el contacto del combustible con su ropa. Cambie la ropa inmediatamente si se ha derramado combustible sobre ella (para evitar que la ropa se incendie).
- Inspeccione periódicamente la tapa del depósito de combustible para asegurarse de que se puede apretar firmemente y que no tiene fugas.
- Apriete con cuidado la tapa del depósito de combustible. Cambie de lugar para poner en marcha el motor (como mínimo a 3 metros de distancia del lugar de repostaje).
- Nunca reposte en lugares cerrados. Los vapores de combustible se acumulan a nivel del suelo (riesgo de explosiones).
- El combustible solamente se debe transportar y almacenar en recipientes homologados. Asegúrese de que el combustible almacenado no esté al alcance de los niños.



Método de trabajo

- Utilice la desbrozadora únicamente con buenas condiciones de iluminación y visibilidad. Durante el invierno tenga cuidado con las áreas húmedas o resbaladizas, hielo y nieve (riesgo de resbalar). Asegúrese siempre de que sus pies se encuentran en una posición segura.
- No corte nunca por encima de la altura de la cintura.
- Nunca se suba a una escalera.
- No se suba a árboles mientras realice la operación de corte.
- No trabaje nunca en superficies inestables.
- Elimine la arena, piedras, clavos, etc. que se encuentren en el área de trabajo.
- Antes de comenzar a cortar, el accesorio de corte debe alcanzar la velocidad de trabajo completa.
- Balancee la desbrozadora uniformemente.
Si se atascan césped o ramas entre el accesorio de corte y la protección, detenga siempre el motor antes de la limpieza. De lo contrario, el giro accidental del accesorio puede provocar lesiones graves.
- Descanse para evitar la pérdida de control causada por la fatiga.
Recomendamos descansar de 10 a 20 minutos cada hora.



Accesorios de corte

- Nunca utilice cuchillas de metal, incluyendo cadenas oscilantes de varias piezas de metal y cuchillas trilladoras. De lo contrario, el contacto con la cuchilla puede provocar lesiones graves.

Vibración

- Las personas con problemas circulatorios que están expuestas a vibraciones excesivas pueden sufrir lesiones en los vasos sanguíneos o en el sistema nervioso. La vibración puede provocar los siguientes síntomas en los dedos, manos o muñecas: “adormecimiento”, hormigueo, dolor, sensación punzante, alteración del color de la piel o de la piel. Si sufre alguno de estos síntomas, acuda a un médico.
- Para reducir el riesgo de “enfermedad de dedos blancos”, mantenga las manos calientes durante el uso y realice un buen mantenimiento del equipo y los accesorios.



Instrucciones de mantenimiento

- Haga que su equipo sea sometido a tareas de mantenimiento en nuestro centro de servicio autorizado, utilizando siempre y de forma exclusiva recambios originales. Una reparación incorrecta y un mantenimiento deficiente pueden acortar la vida útil del equipo y aumentar el riesgo de accidentes.
- Antes de iniciar el trabajo se debe comprobar el estado del equipo, especialmente de los dispositivos de protección del accesorio de corte.
- Apague el motor y quite el conector de la bujía cuando sustituya los accesorios de corte y también cuando limpie la herramienta o el accesorio de corte.
- Preste atención al medioambiente. Evite el uso innecesario de la palanca de la mariposa de gases para reducir la contaminación y las emisiones de ruido. Ajuste el carburador correctamente.
- Limpie el equipo periódicamente y compruebe que todos los tornillos y tuercas estén bien apretados.
- Nunca repare o almacene el equipo cerca de llamas vivas.
- Guarde siempre el equipo en habitaciones cerradas con llave y con el depósito de combustible vacío.



Respete las instrucciones aplicables de prevención de accidentes emitidas por las compañías de seguros y las asociaciones comerciales relevantes.

No realice ninguna modificación en el equipo, ya que esto pondría en peligro su seguridad.

Los trabajos de mantenimiento o reparación que puede realizar el usuario se limitan a las actividades descritas en este manual de instrucciones. Todos los demás trabajos los realiza un agente de servicio autorizado. Utilice únicamente accesorios y piezas de repuesto genuinos suministrados por MAKITA.

El uso de accesorios y herramientas que no se hayan aprobado implica un mayor riesgo de accidentes.

MAKITA no acepta ninguna responsabilidad por los accidentes o los daños causados por el uso de accesorios de corte no aprobados, por la reparación de los accesorios de corte o por accesorios.

Primeros auxilios

En caso de accidente, asegúrese de que cerca del lugar en el que se realicen las operaciones de corte esté disponible un botiquín de primeros auxilios. Reponga inmediatamente cualquier artículo que tome del botiquín de primeros auxilios.

Cuando solicite ayuda, proporcione la siguiente información:

- Lugar del accidente
- Qué ha ocurrido
- Número de personas heridas
- Tipo de lesiones
- Su nombre



DATOS TÉCNICOS DE ER2650LH

Modelo		ER2650LH		
Tipo de asidero		Asidero circular		
Dimensiones: largo x ancho x alto (sin accesorio de corte)		mm	1.621 x 310 x 479	
Diámetro de corte		mm	412	
Peso (sin protector de plástico ni accesorio de corte)		kg	4,8	
Volumen (depósito de combustible)		L	0,6	
Volumen (depósito de aceite)		L	0,08	
Cilindrada del motor		cm ³	25,4	
Potencia máxima del motor		kw	0,77 a 7.000 min ⁻¹	
Velocidad del motor a la velocidad máxima recomendada del husillo		min ⁻¹	10.000	
Frecuencia de giro máxima del husillo		min ⁻¹	7.900	
Velocidad de ralentí		min ⁻¹	3.000	
Velocidad de acoplamiento de embrague		min ⁻¹	3.900	
Carburador		Tipo de diafragma		
Sistema de encendido		Sin contacto, tipo magnético		
Bujía		tipo	NGK CMR4A	
Separación entre electrodos		mm	0,7 - 0,8	
Vibración de acuerdo con ISO 22867	Asidero derecho (Empuñadura trasera)	$a_{hv\ eq}$	m/s ²	8,2
		Incertidumbre (K)	m/s ²	0,9
	Asidero izquierdo (Empuñadura delantera)	$a_{hv\ eq}$	m/s ²	5,0
		Incertidumbre (K)	m/s ²	1,7
Nivel de presión acústica media según ISO 22868		$L_{PA\ eq}$	dBA	97,5
		Incertidumbre K	dBA	1,8
Nivel de potencia acústica media según ISO 22868		$L_{WA\ eq}$	dBA	107,3
		Incertidumbre K	dBA	2,5
Combustible		Gasolina de automoción		
Aceite de motor		Aceite de clasificación API, clase SF o superior, SAE 10W-30 (aceite para motor de 4 tiempos de automoción)		

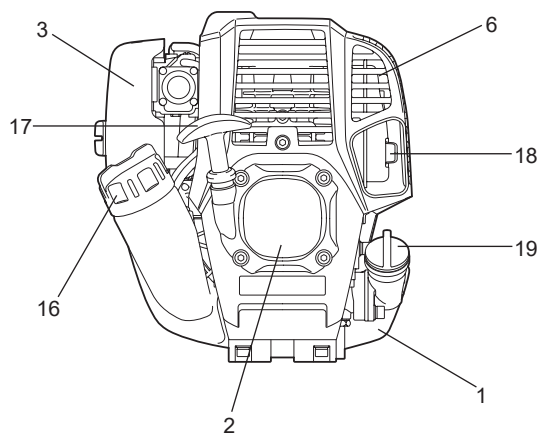
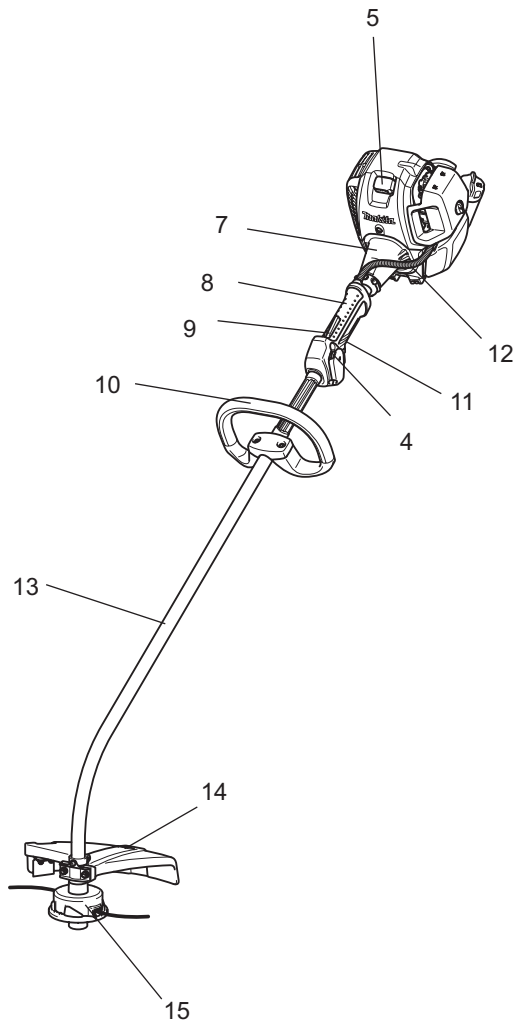
Sólo para países europeos

Declaración de conformidad de la CE

La Declaración de conformidad de la CE se incluye como Anexo A en este manual de instrucciones.

DENOMINACIÓN DE LAS PIEZAS

ER2650LH



E	DENOMINACIÓN DE LAS PIEZAS
1	Depósito de combustible
2	Arrancador de retroceso
3	Filtro de aire
4	Interruptor I-O (encendido/apagado)
5	Bujía
6	Silenciador de escape
7	Caja del embrague
8	Empuñadura trasera
9	Palanca de desbloqueo
10	Asidero
11	Palanca de la mariposa de gases
12	Cable de control
13	Eje
14	Protector (protección del accesorio de corte)
15	Cabezal de corte de nylon
16	Tapa para el llenado de combustible
17	Empuñadura de arranque
18	Tubo de escape
19	Tapa de aceite

MONTAJE DEL ASIDERO

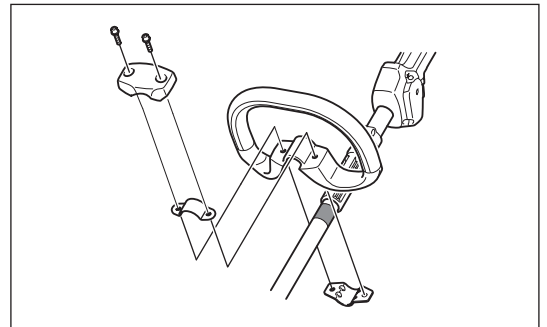
⚠ PRECAUCIÓN: Antes de realizar un trabajo en el equipo, detenga siempre el motor y desconecte el conector de la bujía. Utilice siempre guantes de protección.

⚠ PRECAUCIÓN: Ponga en marcha el equipo únicamente después de haberlo montado completamente.

Para máquinas con asidero circular

- Fije el asidero circular en el eje tal y como se muestra.
- Asegúrese de que el separador del tubo del eje se encuentre entre el ensamblaje de la empuñadura y la otra empuñadura. No retire ni encoja el separador.

NOTA: En algunos países, el separador no se proporciona con la herramienta. En ese caso, alinee el asidero más allá de la línea que se indica con marcas de flecha.



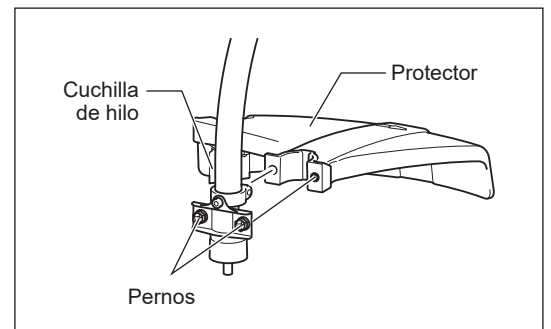
MONTAJE DEL PROTECTOR

Para cumplir con las disposiciones de seguridad apropiadas, solamente se deben utilizar las combinaciones de herramienta/ protector indicadas en la tabla.

⚠ PRECAUCIÓN: No toque la cuchilla de hilo del protector. Si toca la cuchilla de hilo con las manos desnudas puede sufrir lesiones.

Se debe instalar el protector para mantener la longitud del hilo de corte de nylon y proteger al operario de piedras y pequeños fragmentos que puedan salir despedidos. Instale el protector siguiendo estos pasos.

1. Ajuste el protector de forma que el montante del eje encaje en la ranura del protector.
2. Apriete los dos pernos.



MONTAJE DEL CABEZAL DE CORTE DE NYLON

⚠ ADVERTENCIA: Nunca utilice cuchillas de corte.

Asegúrese de utilizar un cabezal de corte de nylon auténtico de MAKITA.

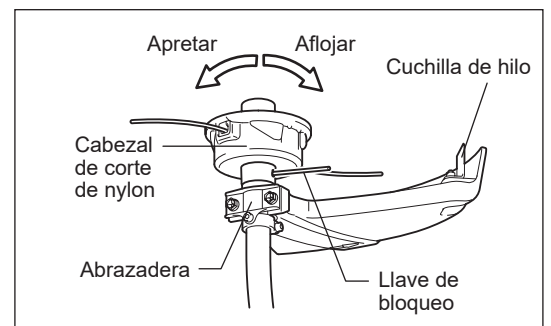
- Si el cabezal de corte de nylon golpea una piedra durante el uso, detenga la herramienta y compruebe la cuchilla inmediatamente.

⚠ PRECAUCIÓN: No toque la cuchilla de hilo del protector. Si toca la cuchilla de hilo con las manos desnudas puede sufrir lesiones.

Monte un cabezal de corte de nylon siguiendo estos pasos.

1. Inserte la llave de bloqueo a través del orificio de la abrazadera. Gírela empujando la llave de bloqueo hasta que se bloquee.
2. Atornille el cabezal de corte de nylon en el eje girándolo en el sentido de las agujas del reloj. Asegúrese de que esté montado de forma segura.
3. Retire la llave de bloqueo.

Para extraer el cabezal de corte de nylon, gírelo en el sentido contrario a las agujas del reloj.



Inspección y rellenado del aceite de motor

- Realice el siguiente procedimiento con el motor frío.
- Coloque el motor en una posición nivelada, retire la tapa de aceite (Fig. 1) y compruebe si hay aceite en el intervalo entre las marcas de límite superior e inferior del tubo de aceite (Fig. 2).
- Rellene aceite hasta la marca de límite superior si la cantidad de aceite es insuficiente (el nivel de aceite está cerca de la marca de límite inferior) (Fig. 3).
- El área que rodea las marcas externas es transparente, por lo que la cantidad de aceite se puede comprobar sin tener que retirar la tapa de aceite. No obstante, si el tubo de aceite está extremadamente sucio, la visibilidad puede ser nula y el nivel de aceite se tendrá que comprobar con la sección graduada del interior del tubo de aceite.
- Como referencia, el tiempo de rellenado de aceite es de unas 10 horas (10 veces o 10 depósitos de combustible hasta que se deba rellenar el aceite).
Si el aceite cambia de color o se mezcla con suciedad, sustitúyalo con uno nuevo. (Para conocer el intervalo y el método de sustitución, consulte la P 104)

Aceite recomendado: Aceite SAE 10W-30 de Clasificación API, Clase SF o superior (motor de 4 tiempos para automoción)

Volumen de aceite: Aprox. 0,08 L

NOTA: Si el motor no se mantiene en posición vertical, el aceite se puede acumular en otras partes del motor. El medidor de nivel de aceite puede dar una lectura incorrecta del nivel de aceite.

No rellene aceite si el motor no está en posición vertical. Si se llena aceite por encima del límite, puede contaminarse o incendiarse y provocar un humo blanco.

Punto 1 de la sustitución de aceite: “Tapa de aceite”

- Retire el polvo o la suciedad de alrededor de la abertura de rellenado de aceite y extraiga la tapa de aceite.
- Mantenga la tapa de aceite libre de tierra o suciedad. De lo contrario, la tierra o la suciedad que se adhieran a la tapa de aceite pueden causar una circulación irregular de aceite o un desgaste en las piezas del motor, lo que puede provocar problemas.

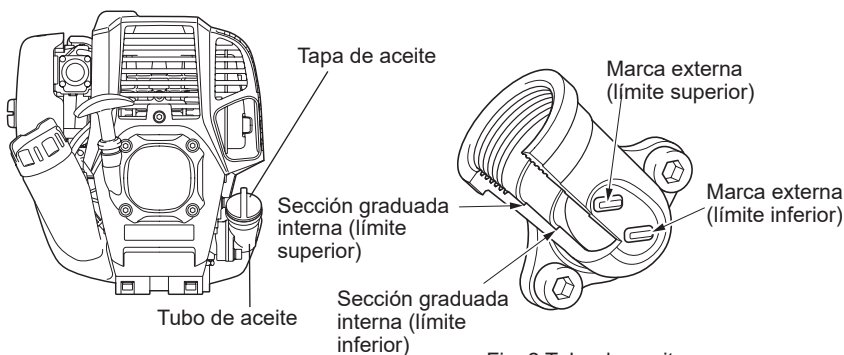


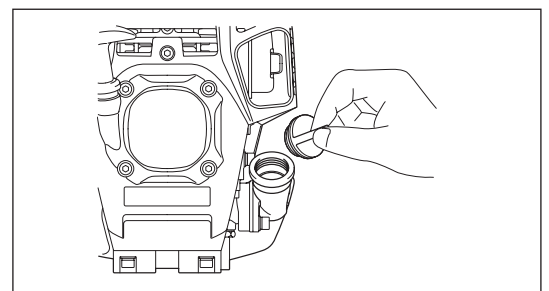
Fig. 1

Fig. 2 Tubo de aceite

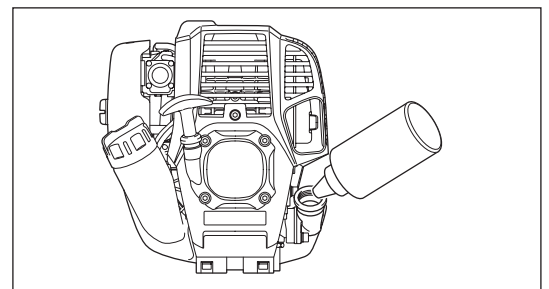
Fig. 3

El área entre los límites superior e inferior externos es transparente, de forma que el nivel de aceite se puede comprobar externamente con esas marcas.

- (1) Mantenga el motor nivelado y extraiga la tapa de aceite.



- (2) Rellene aceite hasta la marca de límite superior. (consulte la Fig. 3)
Utilice una botella de aceite cuando rellene.



- (3) Apriete firmemente la tapa de aceite. Un apriete insuficiente puede causar fugas de aceite.

Nota

- No rellene aceite con el motor en una posición inclinada.
- Si se rellena aceite con el motor inclinado se producirá un exceso de llenado, que provocará contaminación por aceite y/o humo blanco.

Punto 2 de la sustitución de aceite: “Si se derrama aceite”

- Si se derrama aceite entre el depósito de combustible y la unidad principal del motor, el aceite se succiona a través de la abertura de entrada de aire, lo que contaminará el motor. Asegúrese de limpiar el aceite derramado antes de empezar a utilizar la herramienta.

REPOSTAJE

Manejo del combustible

Tenga el máximo cuidado cuando maneje el combustible. El combustible puede contener sustancias similares a los disolventes. Reposte en una habitación bien ventilada o al aire libre. No inhale el vapor de combustible y evite cualquier contacto con el combustible. El contacto prolongado de la piel con estos productos hará que la piel se reseque, lo que puede provocar enfermedades en la piel o alergias. Si el combustible entra en contacto con los ojos, límpielos con agua potable. Si sus ojos siguen irritados, acuda inmediatamente a un médico.

Período de almacenamiento del combustible

El combustible debe utilizarse en un período de 4 semanas, aunque se conserve en un contenedor especial a la sombra en una zona bien ventilada.

De lo contrario, el combustible se puede deteriorar en un día.

ALMACENAMIENTO DE LA MÁQUINA Y DEL DEPÓSITO DE RELLENADO

- Mantenga la máquina y el depósito en un lugar fresco alejado de la luz directa del sol.
- Nunca guarde combustible en un vehículo.

Combustible

El motor es un motor de cuatro tiempos. Asegúrese de utilizar gasolina de automoción sin plomo de 87 octanos o más ((R+M)/2). No puede contener más de un 10% de alcohol (E-10).

Observaciones sobre el combustible

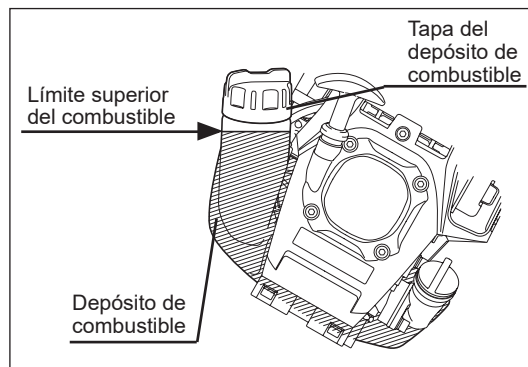
- Nunca utilice una mezcla de gasolina que contenga aceite de motor. De lo contrario, provocará una acumulación excesiva de carbonilla o problemas mecánicos.
- El uso de aceite deteriorado provocará un arranque irregular.

Repostaje

⚠ ADVERTENCIA: Apague el motor antes del repostaje, manténgase alejado de las llamas y no fume.

Gasolina utilizada: Gasolina de automoción sin plomo, de 87 octanos o más. No más de un 10% de alcohol (E-10).

- Afloje la tapa del depósito un poco para reducir la presión del depósito.
 - Suelte la tapa del depósito y reposte, descargando el aire inclinando el depósito de combustible de forma que la abertura de repostaje esté orientada hacia arriba. No rellene combustible hasta la parte superior del depósito.
 - Limpie bien la parte exterior de la tapa del depósito para evitar que entren objetos extraños en el depósito de combustible.
 - Tras el repostaje, apriete firmemente la tapa del depósito.
-
- Si hay defectos o daños en la tapa del depósito, sustitúyala.
 - La tapa del depósito se desgasta con el paso del tiempo. Sustitúyala cada dos o tres años.
 - NO rellene combustible en la abertura de relleno de aceite.



ASPECTOS DEL MANEJO Y CÓMO PARAR LA MÁQUINA

Respete las normativas de prevención de accidentes aplicables.

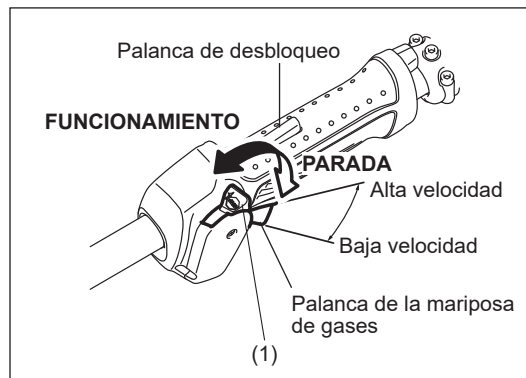


ARRANQUE

Aléjese 3 m como mínimo del lugar de repostaje. Coloque la unidad en el suelo, teniendo cuidado de que el accesorio de corte no entre en contacto con el suelo o con otros objetos.

A: Arranque en frío

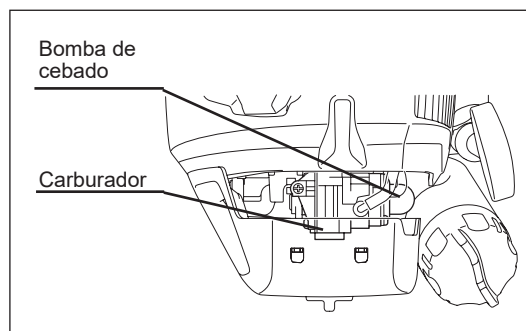
- 1) Coloque la máquina sobre una superficie plana.
- 2) Ajuste el interruptor I-O (1) en FUNCIONAMIENTO.



- 3) Bomba de cebado

Siga accionando la bomba de cebado hasta que el combustible entre en ella. (En general, el combustible entra en la bomba de cebado con 7 a 10 pulsaciones.)

Si se acciona la bomba de cebado en exceso, el exceso de gasolina vuelve al depósito de combustible.



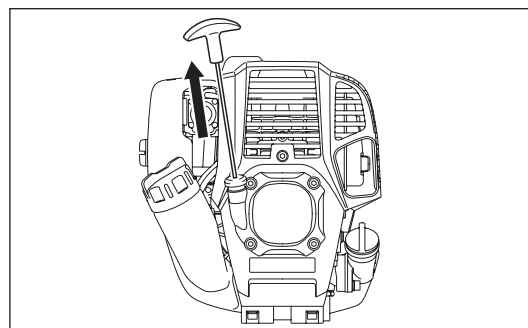
- 4) Arrancador de retroceso

Tire lentamente de la empuñadura de arranque hasta que note cierta resistencia (punto de compresión). A continuación devuelva la empuñadura de arranque a su posición y tire con fuerza de ella.

Nunca tire por completo de la cuerda de arranque. Cuando haya tirado de la empuñadura de arranque, no la suelte inmediatamente. Sujete la empuñadura de arranque hasta que vuelva a su posición original.

- 5) Operación de calentamiento

Continúe con la operación de calentamiento durante 2 ó 3 minutos.



NOTA: Si se produce una entrada excesiva de combustible (inundación), extraiga la bujía y tire lentamente de la empuñadura de arranque para eliminar el exceso de combustible. Asimismo, seque la sección del electrodo de la bujía.

B: Arranque después de la operación de calentamiento

- 1) Pulse la bomba de cebado repetidamente.
- 2) Mantenga la palanca de la mariposa de gases en la posición de ralentí.
- 3) Tire del arrancador de retroceso con fuerza.
- 4) Si resulta difícil arrancar el motor, abra la mariposa de gases 1/3.

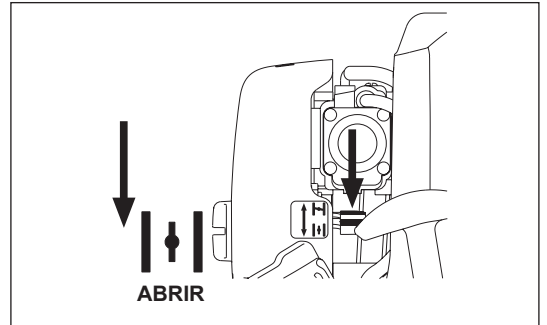
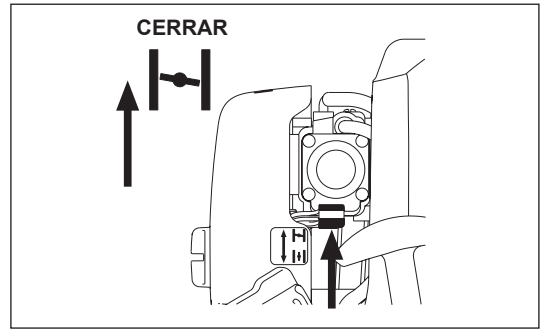
En ocasiones, como en invierno, cuando resulte difícil poner en marcha el motor

Utilice la palanca del estrangulador con el siguiente procedimiento cuando ponga en marcha el motor.

- Tras aplicar los pasos de arranque 1) a 3), ajuste la posición de la palanca del estrangulador en la posición CERRAR.
- Aplique el paso de arranque 4) y ponga en marcha el motor.
- Cuando haya puesto en marcha el motor, ajuste la palanca del estrangulador en la posición ABRIR.
- Aplique el paso 5) de arranque y complete el calentamiento.

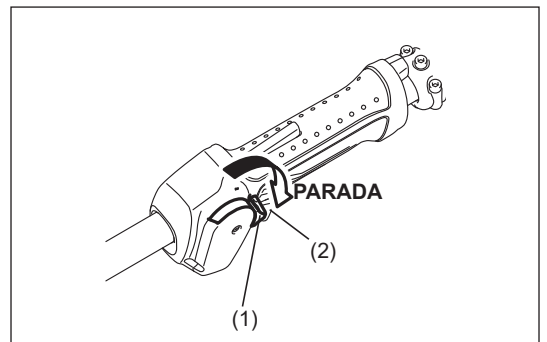
⚠ PRECAUCIÓN: Si se oye un estallido (sonido de explosión) y el motor se detiene, o el motor que se acaba de poner en marcha se cala antes de accionar la palanca del estrangulador, devuelva la palanca del estrangulador a la posición ABRIR y tire de la empuñadura de arranque unas cuantas veces para poner en marcha el motor.

⚠ PRECAUCIÓN: Si la palanca del estrangulador se coloca en la posición CERRAR y se tira repetidamente de la empuñadura de arranque, se succionará demasiado combustible y el motor tendrá dificultades para ponerse en marcha.



PARADA

- 1) Suelte la palanca de la mariposa de gases (2) completamente y, cuando se hayan reducido las RPM del motor, ajuste el interruptor I-O en la posición "PARADA" para detener el motor.
- 2) Tenga en cuenta que es posible que el cabezal de corte no se detenga inmediatamente y permita que reduzca su velocidad hasta detenerse.

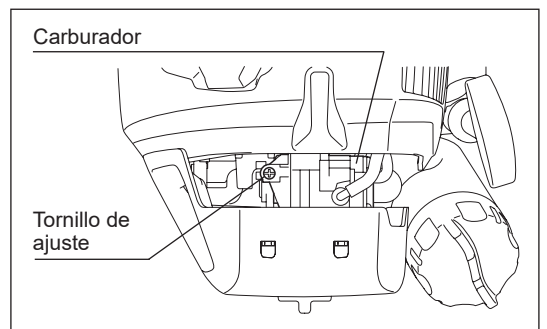


AJUSTE DE LA ROTACIÓN DE BAJA VELOCIDAD (RALENTÍ)

Cuando sea necesario ajustar la rotación a baja velocidad (ralentí), hágalo mediante el tornillo de ajuste del carburador.

COMPROBACIÓN DE LA ROTACIÓN A BAJA VELOCIDAD

- Ajuste la rotación a baja velocidad en 3.000 min⁻¹. Si resulta necesario cambiar la velocidad de giro baja (ralentí), utilice un destornillador de punta Phillips en el tornillo que se muestra en la ilustración de la derecha.
- Gire el tornillo de ajuste hacia la derecha y aumentará la rotación del motor. Gire el tornillo de ajuste hacia la izquierda y se reducirá la rotación del motor.
- El carburador se suele ajustar antes del envío. Tras gastar varios depósitos de gasolina, es posible que se tengan que volver a ajustar las RPM al ralentí.



CABEZAL DE CORTE DE NYLON

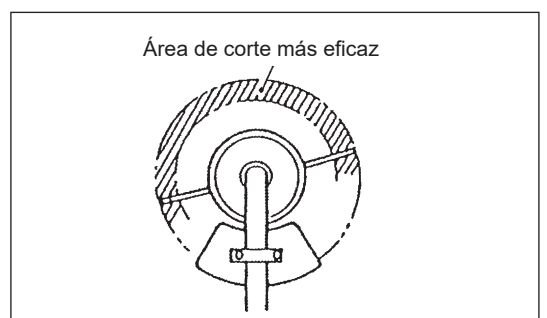
Durante el uso, utilice la punta del hilo de corte de nylon para realizar el corte.

Extensión del hilo de corte de nylon

A medida que el hilo de corte de nylon se gasta y se acorta con la operación de corte, el operario debe extenderlo manualmente.

Para extender el hilo de corte de nylon, golpee suavemente el cabezal de corte de nylon contra el suelo mientras gira aproximadamente a 6.000 min⁻¹.

NOTA: Si el hilo de corte de nylon no se extiende, rebóbinelo.



Reemplazo del hilo de nylon

⚠ ADVERTENCIA: Asegúrese de que la cubierta del cabezal de corte de nylon esté fijada al alojamiento correctamente como se describe más abajo. Si la cubierta no se fija correctamente, el cabezal de corte de nylon puede salir despedido y provocar graves lesiones personales.

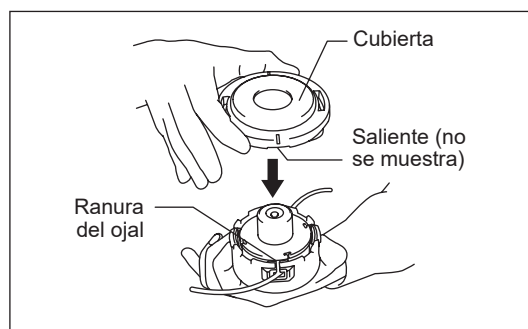
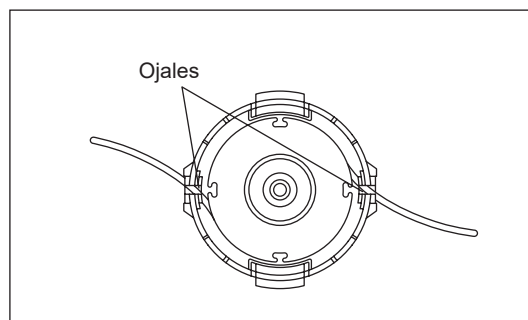
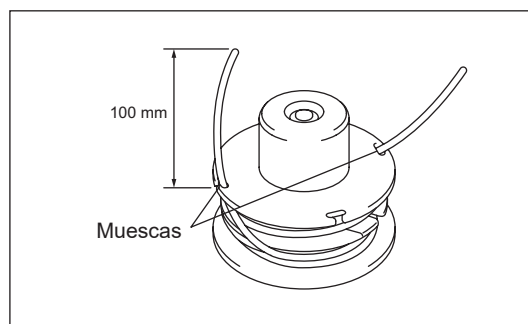
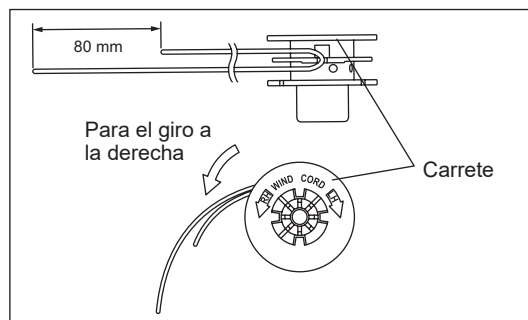
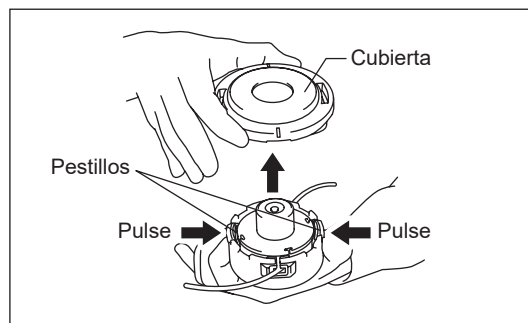
Presione hacia dentro los pestillos del alojamiento y tire hacia arriba para extraer la cubierta. Descarte el hilo de nylon restante.

Enganche la mitad del nuevo hilo de nylon en la muesca que se encuentra en el centro del carrete entre los 2 canales proporcionados para el hilo de nylon. Un lado del hilo debe ser unos 80 mm más largo que el otro lado. Enrolle ambos extremos firmemente alrededor del carrete en la dirección marcada en el cabezal para la dirección derecha, indicada con RH.

Enrolle la totalidad del hilo, excepto unos 100 mm, dejando los extremos temporalmente enganchados alrededor de la muesca del lateral del carrete.

Monte el carrete en el alojamiento de forma que las ranuras y los salientes del carrete coincidan con los del alojamiento. Ahora desenganche los extremos del hilo de su posición temporal y haga pasar los hilos por los ojales hasta que sobresalgan del alojamiento.

Alinee el saliente del lado inferior de la cubierta con las ranuras de los ojales. A continuación, presione firmemente la cubierta en el alojamiento para fijarla. Asegúrese de que los pestillos están totalmente extendidos en la cubierta.



INSTRUCCIONES DE SERVICIO

- ⚠ PRECAUCIÓN:** Antes de realizar algún trabajo en el equipo, detenga siempre el motor y desconecte el conector de la bujía (consulte "comprobación de la bujía").
Utilice siempre guantes de protección.

Para garantizar una larga vida útil y para evitar daños en el equipo, realice las siguientes operaciones de mantenimiento periódicamente.

Inspección diaria y mantenimiento

- Antes de la puesta en funcionamiento, compruebe la máquina por si tiene tornillos flojos o si faltan piezas. Preste especial atención al apriete del cabezal de corte de nylon.
- Antes de la puesta en funcionamiento, compruebe siempre que el conducto de paso de aire de refrigeración y las aletas del cilindro no estén obstruidas
Límpielos si es necesario.
- Realice diariamente las siguientes operaciones tras el uso:
 - Limpie el equipo externamente y busque si hay daños.
 - Limpie el filtro de aire. Cuando trabaje en condiciones extremas de polvo, limpie el filtro varias veces al día.
 - Compruebe si el cabezal de corte de nylon está estropeado y asegúrese de que se haya montado firmemente.
 - Compruebe que haya una diferencia suficiente entre la velocidad de ralentí y la velocidad de trabajo para garantizar que el accesorio de corte esté parado mientras el motor funciona al ralentí (si es necesario, reduzca la velocidad de ralentí).
Si en las condiciones de ralentí la herramienta sigue funcionando, consulte con su agente de servicio autorizado más cercano.
- Compruebe el funcionamiento del interruptor I-O, la palanca de desbloqueo, la palanca de la mariposa de gases y el botón de bloqueo.

SUSTITUCIÓN DEL ACEITE DEL MOTOR

Un aceite de motor deteriorado acortará la vida útil del motor. Asegúrese de comprobar el aceite y el nivel periódicamente.



ATENCIÓN: En general, la unidad principal del motor y el aceite de motor permanecen calientes después de apagar el motor. Al reemplazar el aceite, asegúrese de que la unidad principal del motor y el aceite de motor se hayan enfriado suficientemente. De lo contrario, puede haber un riesgo de quemaduras.

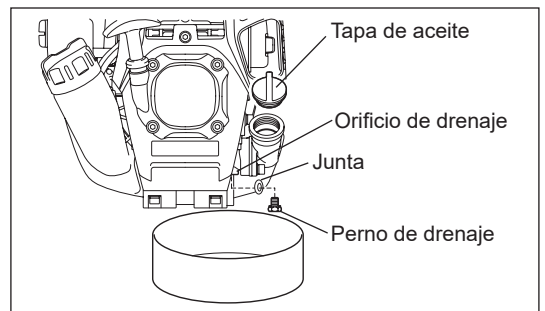
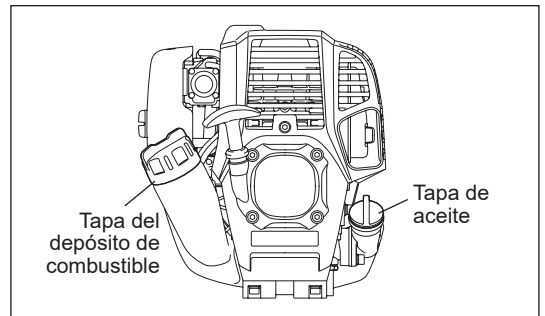
NOTA: Si se llena aceite por encima del límite, puede contaminarse o incendiarse y provocar un humo blanco.

Intervalo de sustitución: Después de las primeras 20 horas de funcionamiento, seguidas por el intervalo de cada 50 horas de funcionamiento.

Aceite recomendado: Aceite SAE10W-30 de Clasificación API Clase SF o superior (aceite de motor de 4 tiempos para automoción)

Para el reemplazo, siga este procedimiento.

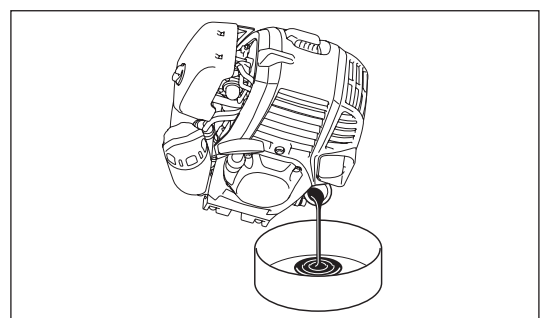
- 1) Asegúrese de que la tapa del depósito de combustible esté apretada de forma segura.
- 2) Coloque un contenedor grande (bandeja, etc.) debajo del orificio de drenaje.
- 3) Retire el perno de drenaje y la tapa de aceite para drenar el aceite por el orificio de drenaje.
En este punto, asegúrese de no perder la junta del perno de drenaje y de no ensuciar ninguno de los componentes retirados.
- 4) Cuando se haya drenado todo el aceite, instale la junta y el perno de drenaje y apriete firmemente el perno de drenaje, de forma que no se afloje y no provoque fugas.
* Utilice un paño para limpiar el aceite que pueda haber quedado en el perno y el equipo.



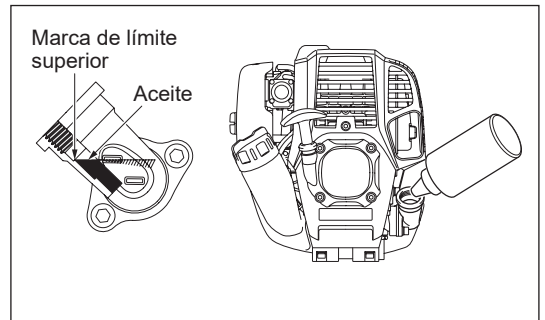
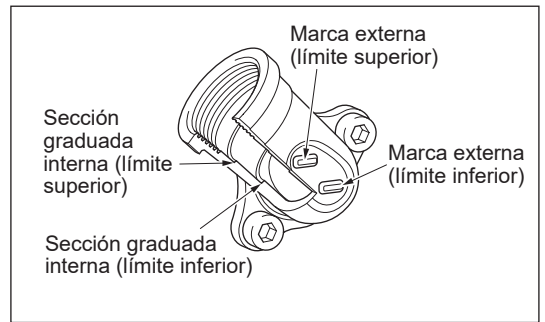
Método de drenaje alternativo

Retire la tapa de aceite, incline el equipo hacia el orificio de rellenado de aceite y drene el aceite.

Recoja el aceite en el contenedor.



- 5) Coloque el motor en una posición nivelada y rellene gradualmente hasta la marca de límite superior con aceite nuevo.
- 6) Tras el llenado, apriete firmemente la tapa de aceite, de forma que no se afloje y no provoque fugas.
Si la tapa de aceite no se aprieta firmemente, puede provocar fugas.



ASPECTOS SOBRE EL ACEITE

- Nunca deseche el aceite de motor reemplazado en la basura convencional, en el suelo o en la red de alcantarillado. La eliminación de los desechos de aceite está regulada por ley. Para eliminar esos desechos, siga las leyes y normativas aplicables. Si tiene alguna duda, póngase en contacto con un agente de servicio autorizado.
- El aceite se deteriorará aunque se guarde sin utilizar. Realice la inspección y el reemplazo a intervalos periódicos (reemplace con aceite nuevo cada 6 meses).

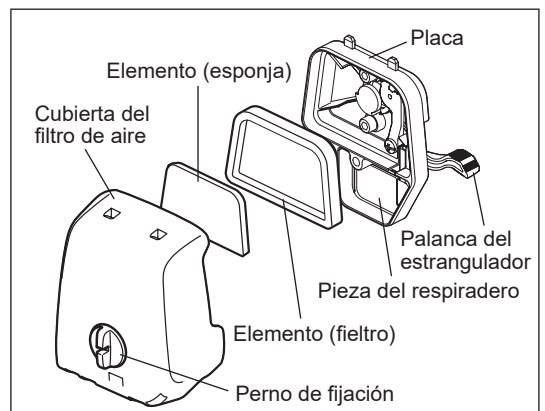
LIMPIEZA DEL FILTRO DE AIRE



ADVERTENCIA: Apague el motor, manténgase alejado de las llamas y no fume.

Intervalo de limpieza e inspección: Diariamente (cada 10 horas de uso)

- Gire la palanca del estrangulador hasta el lado de cierre total y mantenga el carburador alejado del polvo o de la suciedad.
- Afloje el perno de fijación.
- Retire la cubierta del filtro de aire tirando de su lado inferior.
- Retire los elementos y golpéelos suavemente para eliminar la suciedad.
- Si los elementos están muy contaminados:
Retire los elementos, sumérjalos en agua templada o en agua con detergente neutro diluido y séquelos completamente. No los apriete ni los frote cuando los limpie.
- Antes de acoplar los elementos, asegúrese de secarlos completamente. Un secado insuficiente de los elementos puede dificultar la puesta en marcha.
- Retire el aceite adherido alrededor de la cubierta del filtro de aire y la parte del conducto de ventilación con un paño desechable.
- Encaje el elemento (esponja) en el elemento (fieltro).
Encaje los elementos en la placa de forma que la esponja mire hacia la cubierta del filtro de aire.
- Acople inmediatamente la cubierta del filtro y apriétela con los pernos de fijación. (Cuando realice el montaje, coloque primero la pinza superior y después la pinza inferior.)



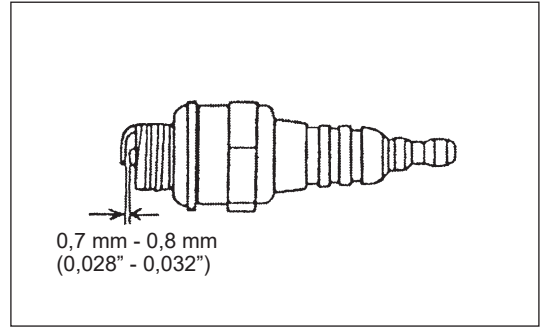
AVISO:

- Limpie los elementos varias veces al día, si se adhiere un exceso de suciedad. Los elementos sucios reducen la potencia del motor y dificultan la puesta en marcha del motor.
- Retire el aceite de los elementos. Si se continúa con las operaciones con los elementos sucios de aceite, el aceite del filtro de aire puede caer fuera y provocar una contaminación del medio ambiente.
- No coloque los elementos en el suelo o en un lugar sucio. De lo contrario, acumularán suciedad y el motor se puede dañar.
- Nunca utilice combustible para limpiar los elementos. El combustible los puede dañar.

COMPROBACIÓN DE LA BUJÍA

- Utilice solamente la llave de vaso suministrada para quitar o poner la bujía.
- La holgura entre los dos electrodos de la bujía debe ser de 0,7- 0,8 mm (0,028" - 0,032"). Si la holgura es demasiado grande o pequeña, ajústela. Si la bujía está obstruida o contaminada, límpiela minuciosamente o reemplácela.

⚠ PRECAUCIÓN: Nunca toque el conector de la bujía mientras el motor está funcionando (peligro de recibir una descarga eléctrica de alta tensión).



LIMPIEZA DEL FILTRO DE COMBUSTIBLE

⚠ ADVERTENCIA: LOS MATERIALES INFLAMABLES ESTÁN ESTRICAMENTE PROHIBIDOS

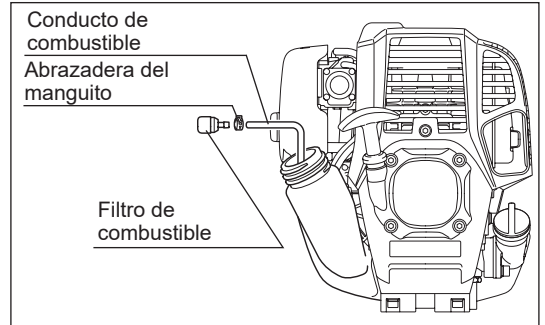
Intervalo de limpieza e inspección: Mensualmente (cada 50 horas de uso)

Cabezal de succión en el depósito de combustible

Compruebe el filtro de combustible periódicamente. Para comprobar el filtro de combustible, siga estos pasos.

- (1) Retire la tapa del depósito de combustible y drene el combustible hasta vaciar el depósito. Compruebe si hay materiales extraños en el interior del depósito. Si los hubiera, retírelos.
- (2) Extraiga el cabezal de succión mediante un gancho de alambre a través de la apertura del depósito.
- (3) Si el filtro de combustible está ligeramente obstruido, límpielo. Para limpiarlo, sacúdalo y golpéelo suavemente en combustible. Para evitar daños, no lo apriete ni lo frote. El combustible que se utiliza para la limpieza se debe desechar de acuerdo con el método especificado por la legislación de su país. Si el filtro de combustible se ha endurecido o está muy obstruido, sustitúyalo.
- (4) Tras comprobarlo, limpiarlo o sustituirlo, empuje el filtro de combustible completamente hasta el fondo del depósito de combustible.

Un filtro de combustible obstruido o dañado puede provocar un suministro insuficiente de combustible y puede reducir la potencia del motor. Sustituya el filtro de combustible como mínimo trimestralmente para garantizar un suministro de combustible satisfactorio al carburador.



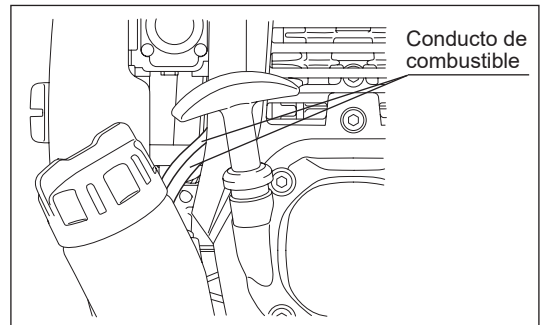
REEMPLAZO DEL CONDUCTO DE COMBUSTIBLE

⚠ PRECAUCIÓN: LOS MATERIALES INFLAMABLES ESTÁN ESTRICAMENTE PROHIBIDOS

Intervalo de limpieza e inspección: Diariamente (cada 10 horas de uso)

Reemplazo: Anualmente (cada 200 horas de uso)

Reemplace el conducto de combustible cada año, independientemente de la frecuencia de utilización. La fuga de combustible puede provocar un incendio. Si se detecta una fuga durante la inspección, reemplace el conducto de combustible inmediatamente.



INSPECCIÓN DE LOS PERNOS, LAS TUERCAS Y LOS TORNILLOS

- Reapriete los pernos, tuercas, etc. flojos.
- Compruebe si la tapa de combustible y la tapa de aceite se han apretado firmemente. Compruebe si hay fugas de combustible y aceite.
- Reemplace las piezas dañadas con piezas nuevas para garantizar un uso seguro.

LIMPIEZA DE LAS PIEZAS

- Mantenga siempre limpio el motor.
- Mantenga las aletas del cilindro y la entrada de aire libres de polvo o suciedad. El polvo o la suciedad adheridos a las aletas provocarán el gripado del pistón.

REEMPLAZO DE LAS JUNTAS Y RETENES

Cuando vuelva a montar el motor, asegúrese de reemplazar las juntas y los retenes por unos nuevos.

Cualquier mantenimiento o trabajo de ajuste que no se describa en este manual solamente deben realizarlo agentes de servicio autorizados.

ALMACENAMIENTO



ADVERTENCIA: Cuando drene el combustible, asegúrese de detener el motor y comprobar que se haya enfriado.
El motor puede estar aún caliente justo después de detenerlo y puede causar quemaduras, es inflamable y puede provocar un fuego.



ATENCIÓN: Cuando la herramienta no se vaya a usar durante mucho tiempo, drene todo el combustible del depósito de combustible y el carburador y manténgalo en un lugar seco y limpio.

- Drene el combustible del depósito de combustible y del carburador de acuerdo con el siguiente procedimiento:
 - 1) Extraiga la tapa del depósito de combustible y drene el combustible completamente.
Si queda algún objeto extraño en el depósito de combustible, retírelo completamente.
 - 2) Extraiga el filtro de combustible de la abertura de relleno mediante un alambre.
 - 3) Presione la bomba de combustible hasta que se haya drenado el combustible y drene el combustible que entra en el depósito de combustible.
 - 4) Coloque el filtro en el depósito de combustible y fije firmemente la tapa del depósito de combustible.
 - 5) A continuación, continúe con la máquina encendida hasta que el motor se detenga.
- Extraiga la bujía y aplique varias gotas de aceite de motor a través del orificio de la bujía.
- Tire suavemente de la empuñadura de arranque para que el aceite de motor se extienda por el motor y, a continuación, vuelva a colocar la bujía.
- En general, almacene la máquina en posición horizontal, o si no es posible, coloque la máquina de forma que el motor quede debajo de la herramienta de corte. De lo contrario puede verse aceite de motor desde el interior. Preste especial atención a cómo se almacena la máquina para evitar que caiga. De lo contrario, se pueden provocar lesiones personales.
- Mantenga el combustible drenado en un contenedor especial en una zona a la sombra y bien ventilada.

Atención tras un almacenamiento prolongado

- Antes de poner en marcha la herramienta tras estar apagada durante un período de tiempo prolongado, asegúrese de reemplazar el aceite (consulte la P 104). El aceite se deteriorará durante el tiempo que la máquina haya permanecido sin utilizar.

Localización de averías

Avería	Sistema	Observación	Causa
El motor no se enciende o lo hace con dificultad	Sistema de encendido	Chispa de encendido correcta No hay chispa de encendido	Avería en el sistema de suministro de combustible o compresión, defecto mecánico Se ha utilizado el interruptor de PARADA, avería del cableado o cortocircuito, bujía o conector defectuoso, módulo de encendido defectuoso
	Suministro de combustible	Depósito de combustible lleno	Posición incorrecta del estrangulador, carburador defectuoso, línea de suministro de combustible doblada o bloqueada, combustible sucio
	Compresión	No hay compresión	La junta inferior del cilindro es defectuosa, los retenes del cigüeñal están dañados, el cilindro o los segmentos del pistón están dañados o el sellado de la bujía es incorrecto
Problemas de arranque en caliente	Avería mecánica	El arrancador no funciona	Muelle del arrancador roto, piezas rotas dentro del motor
		Depósito lleno, se produce la chispa de encendido	Carburador contaminado, límpielo
El motor arranca pero se para	Suministro de combustible	Depósito lleno	Ajuste del ralentí incorrecto, carburador sucio Ventilación del depósito de combustible defectuosa, línea de suministro de combustible interrumpida, cable o interruptor de PARADA defectuoso
Rendimiento insuficiente	Varios sistemas pueden verse afectados simultáneamente	Bajo ralentí del motor	Filtro de aire sucio, carburador sucio, silenciador obstruido, conducto de escape del cilindro obstruido

Tiempo de funcionamiento		Antes del uso	Después de la lubricación	Diariamente (10 h)	30 h	50 h	200 h	Apagado/descanso	P correspondiente
Elemento									
Aceite de motor	Inspeccione/limpie	○							99
	Debe sustituirse					○*1			104
Apretar piezas (perno, tuerca)	Inspeccione	○							106
Depósito de combustible	Limpiar/inspeccione	○							—
	Vacíe el combustible							○*3	107
Palanca de la mariposa de gases	Compruebe el funcionamiento		○						—
Interruptor de parada	Compruebe el funcionamiento		○						102
Accesorio de corte	Inspeccione	○		○					98
Rotación a baja velocidad	Inspeccione/ajuste			○					102
Filtro de aire	Limpiar			○					105
Bujía	Inspeccione			○					106
Entrada de aire de refrigeración	Limpiar/inspeccione			○					106
Conducto de combustible	Inspeccione			○					106
	Debe sustituirse						◎*2		—
Filtro de combustible	Limpiar/Reemplace					○			106
Holgura entre la válvula de entrada de aire y la válvula de descarga de aire	Ajuste						◎*2		—
Revisión del motor							◎*2		—
Carburador	Vacíe el combustible							○*3	107

*1 Realice la sustitución inicial tras 20 h de uso.

*2 Para la inspección de las 200 horas de uso, contacte con un Agente de servicio autorizado de Makita o un taller mecánico.

*3 Tras vaciar el depósito de combustible, continúe haciendo funcionar el motor y drene el combustible del carburador.

LOCALIZACIÓN Y SOLUCIÓN DE AVERÍAS

Antes de realizar una solicitud de reparación, compruebe usted mismo el problema. Si encuentra una anomalía, controle la máquina de acuerdo con la descripción de este manual. Nunca manipule ni desmonte ninguna pieza de forma contraria a la descripción. Si es necesario realizar reparaciones, póngase en contacto con un agente de servicio autorizado o un distribuidor local.

Estado anómalo	Causa probable (mal funcionamiento)	Solución
El motor no se enciende	No se ha accionado la bomba de cebado	Púlsela de 7 a 10 veces
	Se ha tirado del cable del arrancador a baja velocidad	Tire con fuerza
	Falta de combustible	Reposte combustible
	Filtro de combustible obstruido	Limpiar
	Tubo de combustible roto	Enderece el tubo de combustible
	Combustible deteriorado	El combustible deteriorado hace que la puesta en marcha sea más difícil. Reemplácelo con combustible nuevo. (Reemplazo recomendado: 1 mes)
	Tapa de la bujía suelta	Acóplela firmemente
	Bujía sucia	Limpiar
	Holgura anómala de la bujía	Ajústela
	Otras anomalías de la bujía	Debe sustituirse
	Anomalía del carburador	Solicite que se realice la inspección y mantenimiento.
	No se puede tirar de la cuerda del arrancador	Solicite que se realice la inspección y mantenimiento.
	Anomalía del sistema de transmisión	Solicite que se realice la inspección y mantenimiento.
El motor se para al poco tiempo La velocidad del motor no aumenta	Calentamiento insuficiente	Realice la operación de calentamiento
	La palanca del estrangulador está ajustada en "CERRAR" aunque el motor se ha calentado.	Ajústela en "ABRIR"
	Filtro de combustible obstruido	Debe limpiarse o sustituirse
	Filtro de aire sucio u obstruido	Limpiar
	Anomalía del carburador	Solicite que se realice la inspección y mantenimiento.
	Anomalía del sistema de transmisión	Solicite que se realice la inspección y mantenimiento.
El accesorio de corte no gira. ↓ Pare el motor inmediatamente	El accesorio de corte no se ha apretado firmemente.	Apriete el accesorio de corte firmemente.
	Hay una pequeña rama atrapada entre el accesorio de corte y el protector.	Retire el objeto extraño.
	El sistema de transmisión no funciona correctamente.	Solicite a un centro de servicio autorizado de Makita una inspección y reparación.
La unidad vibra de forma anómala. ↓ Pare el motor inmediatamente	El accesorio de corte está roto.	Sustituya el accesorio de corte con uno nuevo.
	El accesorio de corte no se ha apretado firmemente.	Apriete el accesorio de corte firmemente.
	Un extremo del hilo de corte de nylon se ha roto y el cabezal de corte de nylon está desequilibrado.	Extienda el hilo de corte de nylon golpeando suavemente el cabezal de corte contra el suelo.
	El sistema de transmisión no funciona correctamente.	Solicite a un centro de servicio autorizado de Makita una inspección y reparación.
El accesorio de corte no se detiene. ↓ Pare el motor inmediatamente	El grupo motor no funciona correctamente.	Consulte el manual de instrucciones del grupo motor.
El motor no se para ↓ Haga funcionar el motor al ralentí y ajuste la palanca de la mariposa de gases en CERRAR	Conector desconectado	Acóplelo firmemente
	Anomalía del sistema eléctrico	Solicite que se realice la inspección y mantenimiento.
El hilo de corte de nylon no se extiende.	Se ha usado todo el hilo o está enredado en el carrete.	Rebobine el hilo.
El hilo de corte de nylon no se corta a la longitud correcta.	Falta la cuchilla de hilo del protector o está dañada.	Solicite a un centro de servicio autorizado de Makita que sustituya la cuchilla de hilo.
	El hilo se extiende más allá del protector.	Rebobine el hilo.

Cuando el motor no se ponga en marcha tras la operación de calentamiento:

Si no hay ninguna anomalía en los elementos comprobados, abra la mariposa de gases 1/3 y ponga en marcha el motor.

Obrigado por ter adquirido o Equipamento Eléctrico para Exteriores da MAKITA. Temos o orgulho de recomendar um produto MAKITA que é o resultado de um longo programa de desenvolvimento e muitos anos de conhecimento e experiência.

Leia esta brochura cuidadosamente que se refere em pormenor aos vários pontos que irão demonstrar o fantástico desempenho. Irá ajudá-lo a obter os melhores resultados possíveis do seu produto MAKITA.



Índice	Página
Símbolos.....	110
Instruções de segurança	111
Dados técnicos	114
Designação de peças	115
Montagem da pega.....	116
Montagem do protector	116
Montagem da cabeça de corte em nylon	116
Antes de iniciar o funcionamento	117
Pontos sobre o funcionamento e como parar.....	119
A cabeça de corte em nylon	120
Instruções de serviço.....	122
Armazenamento	125

SÍMBOLOS

Tome atenção aos seguintes símbolos ao ler o manual de instruções.

	Leia o manual de instruções e siga os avisos e as precauções de segurança!		Use um capacete e protecção para os olhos e ouvidos.
	Tenha um cuidado e atenção especiais!		Velocidade máxima admissível da ferramenta
	Proibido!		Combustível (Gasolina)
	Mantenha-se afastado!		Arranque manual do motor
	Perigo de objectos voadores!		Paragem de emergência
	Proibido fumar!		Primeiros-socorros
	Sem chamas abertas!		LIGAR/ARRANCAR
	Deve utilizar luvas de protecção!		DESLIGAR/PARAR
	Use botas resistentes com solas não derrapantes. Recomenda-se a utilização de botas de segurança com biqueira de aço!		Nunca utilize lâminas metálicas
	Mantenha a área de funcionamento livre de pessoas e animais!		

INSTRUÇÕES DE SEGURANÇA

Instruções gerais

- Leia este manual de instruções para se familiarizar com o manuseamento do equipamento. Utilizar este equipamento sem entender como operá-lo correctamente pode resultar em ferimentos graves em si ou em outros.
- É aconselhável emprestar o equipamento apenas a pessoas que demonstraram ter experiência. Empréstimo sempre este manual de instruções ao mesmo tempo.
- Se é a primeira vez que utiliza uma roçadeira, consulte o seu revendedor para instruções básicas.
- Crianças e pessoas novas com menos de 18 anos não devem operar este equipamento. Pessoas com mais de 16 anos podem, no entanto, utilizar o dispositivo para efeitos de treino, apenas durante a supervisão de um formador qualificado.
- Utilize com o máximo de cuidado e atenção.
- Opere apenas se estiver em boas condições físicas. Efectue todos os trabalhos com calma e cuidado. O utilizador deve aceitar a responsabilidade pelos que estão em sua volta.
- Nunca utilize o equipamento após o consumo de álcool ou drogas, ou se estiver cansado ou doente.
- As regulamentações nacionais podem proibir a utilização da máquina.

Utilização pretendida da máquina

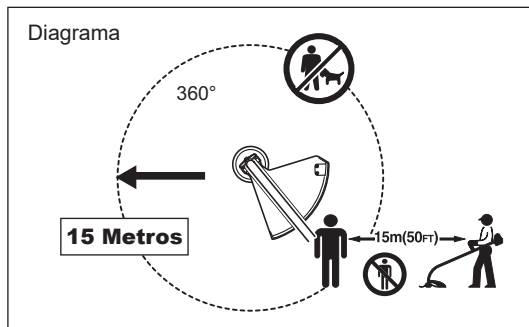
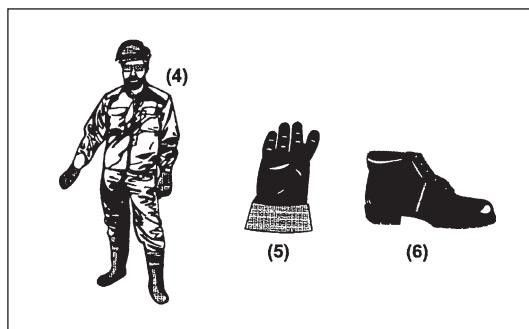
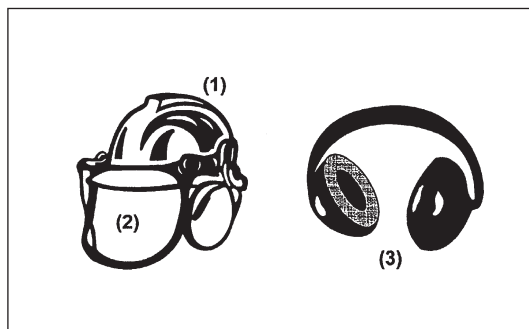
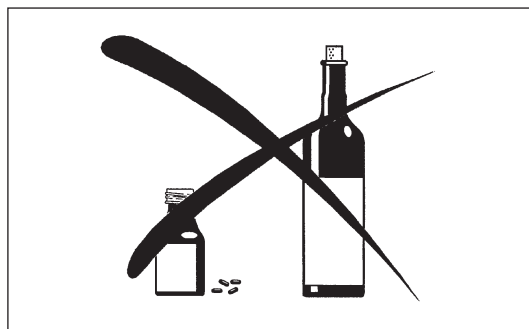
- Este equipamento destina-se apenas a cortar relva e ervas daninhas pequenas. Não deve ser utilizado para outros fins como aparar sebes, uma vez que pode causar ferimentos.

Equipamento de protecção pessoal

- Utilize sempre roupas que sejam funcionais e apropriadas ao seu trabalho, isto é, que fiquem justas mas não demasiado apertadas ao ponto de causar um movimento desconfortável. Não utilize joalharia ou roupas que possam ficar presas nos arbustos.
- Para evitar ferimentos na cabeça, olhos, mãos ou pés, assim como para proteger a sua audição, deve utilizar o seguinte equipamento e roupa de protecção durante o funcionamento.
- Utilize um capacete sempre que existir risco de queda de objectos. Deve verificar regularmente se existem danos no capacete protector (1) e deve substituí-lo, no mínimo, após 5 anos. Utilize apenas capacetes protectores aprovados.
- O visor (2) do capacete (ou óculos, em alternativa) protege a face de resíduos e pedras. Durante a utilização, utilize sempre óculos ou um visor para evitar ferimentos oculares.
- Use equipamento de protecção contra ruído adequado para evitar deficiências auditivas (protector auditivo (3), tampões para os ouvidos etc.).
- Os fatos-macaco (4) protegem contra pedras e resíduos. Recomendamos vivamente que o utilizador use fatos-macaco.
- As luvas (5) fazem parte do equipamento indicado e devem ser sempre utilizadas durante a utilização.
- Ao usar o equipamento, use sempre sapatos resistentes (6) com uma sola não derrapante. Estes sapatos protegem contra ferimentos e asseguram um bom apoio.

Iniciar a Roçadeira A Gasolina

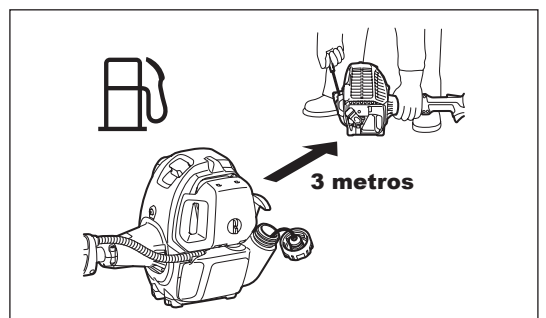
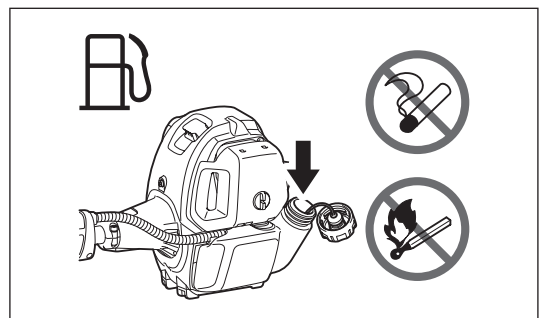
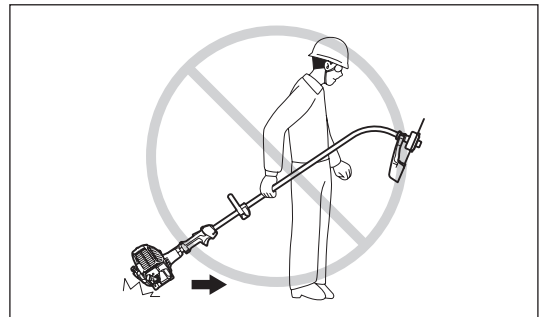
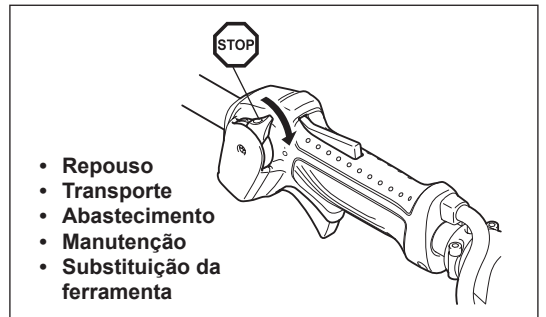
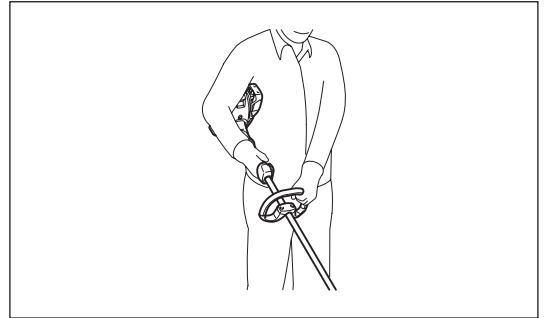
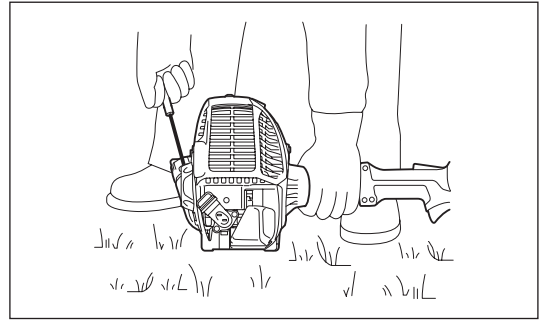
- Certifique-se de que não há crianças ou outras pessoas a trabalhar num raio de 15 metros (50 pés), tome também atenção a animais nas proximidades.
- Antes da utilização, certifique-se sempre de que o equipamento está seguro: Certifique-se de que o implemento de corte é seguro, de que a alavanca do acelerador pode ser operada facilmente e de que o bloqueio da alavanca do acelerador está a funcionar correctamente.
- A rotação do implemento de corte durante a marcha lenta é proibida. Consulte o seu revendedor se achar que o equipamento pode precisar de ajustes. Certifique-se de que as pegas estão limpas e secas e de que o botão de arranque/paragem está a funcionar correctamente.



- Ligue a Roçadeira A Gasolina apenas de acordo com as instruções.
- Não utilize outros métodos para arrancar o motor!
- Utilize a Roçadeira A Gasolina e as ferramentas apenas para essas aplicações como especificado.
- Ligue o motor apenas após a conclusão da montagem. Não opere o equipamento até que todos os acessórios apropriados estejam fixos!
- Antes de arrancar, certifique-se de que o implemento de corte não está em contacto com objectos duros como ramos, pedras etc., uma vez que o implemento de corte irá rodar ao arrancar.
- Desligue o motor imediatamente se ocorrer algum tipo de problema no motor.
- Caso o implemento de corte atinja pedras ou outros objectos duros, desligue imediatamente o motor e inspecione o implemento de corte.
- Inspeccione o implemento de corte em intervalos curtos regulares para se certificar de que não está danificada (detecção de fissuras utilizando o teste do toque).
- Se o equipamento sofrer um impacto ou queda, verifique o seu estado antes de continuar a trabalhar. Verifique o sistema de combustível por fugas de combustível e os comandos e dispositivos de segurança por avarias. Se existirem danos ou dúvidas, solicite o nosso centro de assistência autorizado para a inspecção e reparação.
- Durante o funcionamento, segure sempre a Roçadeira A Gasolina com ambas as mãos. Nunca segure na Roçadeira A Gasolina com uma mão durante a utilização. Certifique-se sempre de que tem um apoio seguro.
- Opere o equipamento de maneira a evitar a inalação dos gases de escape. Nunca arranque o motor num espaço fechado (risco de envenenamento por gás). O monóxido de carbono é um gás sem odor.
- Desligue sempre o motor quando estiver em repouso, ou se pretende deixar o equipamento sem vigilância, e coloque-o num local seguro para evitar ferimentos a outras pessoas e danos no equipamento.
- Nunca coloque a Roçadeira A Gasolina sobre a relva seca ou em quaisquer outros materiais combustíveis.
- Instale sempre o resguardo do implemento de corte aprovado no equipamento antes de ligar o motor. Caso contrário, o contacto com o implemento de corte pode causar ferimentos graves.
- Todas as instalações de protecção e resguardos fornecidos com esta máquina devem ser usados durante o funcionamento.
- Nunca opere o motor se o silenciador de escape estiver avariado.
- Desligue o motor durante o transporte.
- Certifique-se de que o equipamento está seguro durante o transporte automóvel, de modo a evitar fugas de combustível.
- Durante o transporte, certifique-se de que o depósito de combustível está totalmente vazio.
- Quando descarregar o equipamento, nunca deixe cair o motor no chão, uma vez que tal pode danificar gravemente o depósito de combustível.
- Excepto em caso de emergência, nunca deixe cair nem atire o equipamento ao chão uma vez que isto pode danificá-lo gravemente.
- Lembre-se de levantar todo o equipamento do chão ao movê-lo. Arrastar o equipamento no seu depósito de combustível é muito perigoso e pode causar uma fuga de combustível, o que pode resultar num incêndio.

Abastecimento

- Desligue o motor durante o reabastecimento de combustível, mantenha-se longe das chamas abertas e não fume.
- Certifique-se de que produtos de óleo mineral não entram em contacto com a pele. Não inale o vapor do combustível. Use sempre luvas protectoras durante o reabastecimento. Mude e limpe a roupa protectora em intervalos regulares.
- Para evitar contaminação do solo (protecção ambiental), certifique-se de que não derrama combustível ou óleo no chão. Limpe a Roçadeira A Gasolina imediatamente após o derramamento de combustível.
- Certifique-se de que o combustível não entra em contacto com as roupas. Se o combustível entrar em contacto com as suas roupas, mude essas roupas imediatamente (para evitar um incêndio).
- Inspeccione a tampa de combustível em intervalos regulares para se certificar de que está bem seguro e não pinga.
- Aperte, com cuidado, a tampa do depósito de combustível. Mude de local para arrancar o motor (pelo menos a 3 metros de distância de onde reabasteceu).
- Nunca reabasteça num espaço fechado. Os vapores de combustível acumulam ao nível do solo (risco de explosões).
- Transporte e armazene o combustível apenas em recipientes aprovados. Certifique-se de que o combustível armazenado não é acessível a crianças.



Método de funcionamento

- Utilize apenas com boa luz e visibilidade. Durante a época de Inverno, tenha cuidado com áreas escorregadias ou molhadas, gelo e neve (risco de escorregar). Certifique-se sempre de que tem um apoio seguro.
- Nunca corte acima da altura dos ombros.
- Nunca suba para uma escada.
- Nunca trepe árvores para efectuar uma operação de corte.
- Nunca trabalhe em superfícies instáveis.
- Remova areia, pedras, pregos etc encontrados na área de trabalho.
- Antes de começar a cortar, certifique-se de que o implemento de corte atingiu a velocidade de funcionamento completa.
- Oscile a Roçadeira A Gasolina de maneira uniforme. Se relva ou ramos ficarem presos entre o implemento de corte e o resguardo, desligue sempre o motor antes da limpeza. Caso contrário, a rotação não intencional do implemento pode provocar ferimentos graves.
- Descanse para evitar a perda de controlo causada pela fadiga. É aconselhável descansar 10 a 20 minutos por cada hora.



Implementos de corte

- Nunca utilize lâminas metálicas incluindo correntes oscilantes metálicas de várias peças e lâminas tipo mangual. Caso contrário, o contacto com a lâmina pode provocar ferimentos graves.

Vibração

- As pessoas com má circulação que sejam expostas a vibrações excessivas podem sofrer ferimentos nos vasos sanguíneos ou no sistema nervoso. As vibrações podem causar os seguintes sintomas nos dedos, mãos ou pulsos: “Adormecimento” (falta de sensação), formigamento, dor, sensação de picadas, alteração da cor da pele ou da própria pele. Se ocorrer qualquer um destes sintomas, consulte um médico!
- Para reduzir o risco de “doença de Raynaud”, mantenha as suas mãos quentes durante a operação e tenha sempre o equipamento e os acessórios limpos.



Instruções de manutenção

- Solicite o nosso centro de assistência autorizado para efectuar a manutenção do equipamento, utilizando sempre peças de reposição genuínas. Uma reparação incorrecta e uma manutenção fraca podem encurtar a vida útil do equipamento e aumentar o risco de acidentes.
- O estado do equipamento, em particular do implemento de corte dos dispositivos de protecção e tem de ser verificado antes de iniciar o trabalho.
- Desligue o motor e remova o conector da vela de ignição ao substituir ou afiar os implementos de corte, e também ao limpar a roçadeira ou implemento de corte.
- Tenha cuidado com o ambiente. Evite utilizar desnecessariamente o acelerador para reduzir as emissões de poluição e ruído. Afine correctamente o carburador.
- Limpe o equipamento em intervalos regulares e certifique-se de que todos os parafusos estão bem apertados.
- Nunca efectue manutenção ou guarde o equipamento perto de chamas.
- Guarde sempre o equipamento em salas fechadas e com um depósito de combustível esvaziado.



Observe as instruções de prevenção de acidentes relevantes emitidas pelas associações comerciais relevantes e companhias de seguros. Não efectue quaisquer modificações no equipamento, pois isto estará a comprometer a sua segurança.

O desempenho do trabalho de manutenção ou reparação pelo utilizador é limitado às actividades descritas no manual de instruções. O resto do trabalho deverá ser efectuado por um Agente de Serviço Autorizado. Utilize apenas partes sobressalentes genuínas e acessórios lançados e fornecidos pela MAKITA.

Utilizar acessórios e ferramentas não aprovados provocará um risco maior de acidentes.

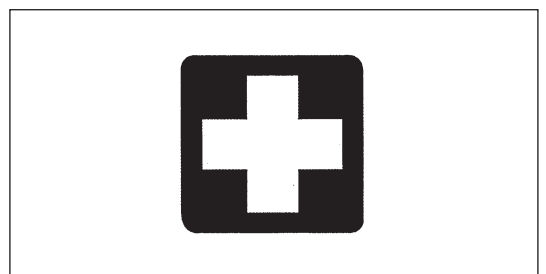
A MAKITA não aceitará qualquer responsabilização por acidentes ou danos provocados pela utilização de implementos de corte não aprovados e dispositivos de fixação de implementos de corte ou acessórios.

Primeiros-socorros

Em caso de acidente, certifique-se de que uma caixa de primeiros socorros está disponível nas proximidades das operações de corte. Substitua imediatamente qualquer item retirado da caixa de primeiros socorros.

Ao pedir ajuda, forneça a seguinte informação:

- Local do acidente
- O que aconteceu?
- Número de pessoas feridas
- Tipo de ferimentos
- O seu nome



DADOS TÉCNICOS ER2650LH

Modelo		ER2650LH		
Tipo de pega		Pega fechada		
Dimensões: comprimento x largura x altura (sem o implemento de corte)		mm	1.621 x 310 x 479	
Diâmetro de corte		mm	412	
Massa (sem resguardo de plástico e implemento de corte)		kg	4,8	
Volume (depósito de combustível)		L	0,6	
Volume (depósito de óleo)		L	0,08	
Deslocamento do motor		cm ³	25,4	
Desempenho máximo do motor		kw	0,77 a 7.000 min ⁻¹	
Velocidade do motor a velocidade de rotação máxima recomendada		min ⁻¹	10.000	
Rotação de frequência máxima do eixo		min ⁻¹	7.900	
Velocidade em marcha lenta		min ⁻¹	3.000	
Velocidade da embraiagem		min ⁻¹	3.900	
Carburador		Tipo diafragma		
Sistema de ignição		Tipo íman sem contacto		
Vela de ignição		tipo	NGK CMR4A	
Separação de eléctrodos		mm	0,7 - 0,8	
Vibração por ISO 22867	Pega direita (Cabo traseiro)	$a_{hv\ eq}$	m/s ²	8,2
		Incerteza K	m/s ²	0,9
	Pega esquerda (Cabo dianteiro)	$a_{hv\ eq}$	m/s ²	5,0
		Incerteza K	m/s ²	1,7
Nível de pressão sonora de acordo com ISO 22868		$L_{PA\ eq}$	dBA	97,5
		Incerteza K	dBA	1,8
Média do nível de potência sonora de acordo com ISO 22868		$L_{WA\ eq}$	dBA	107,3
		Incerteza K	dBA	2,5
Combustível		Gasolina		
Óleo do motor		Óleo de classe SF ou superior com classificação API ou 10W-30 SAE (óleo para motor a 4 tempos de automóvel)		

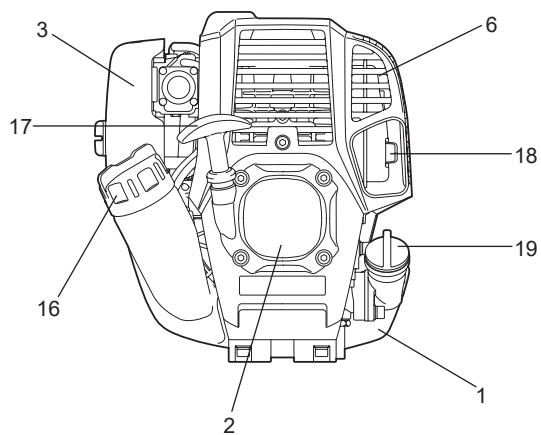
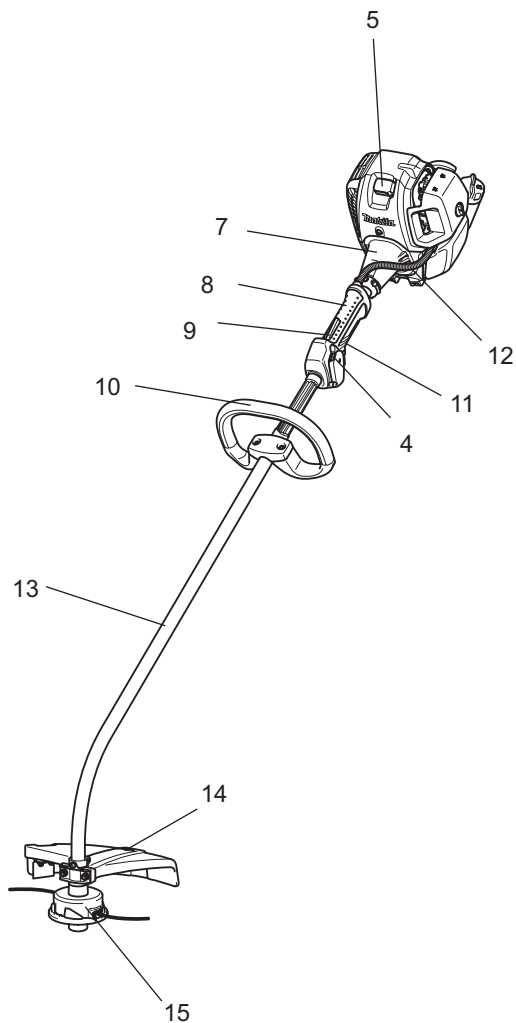
Apenas para países europeus

Declaração de conformidade CE

A declaração de conformidade CE está incluída como Anexo A neste manual de instruções.

DESIGNAÇÃO DE PEÇAS

ER2650LH



P	DESIGNAÇÃO DE PEÇAS
1	Depósito de combustível
2	Arrancador de rebobinamento
3	Filtro
4	Botão I-O (ligar/desligar)
5	Vela de ignição
6	Silenciador de escape
7	Embraiagem
8	Cabo traseiro
9	Alavanca de bloqueio
10	Pega
11	Alavanca do acelerador
12	Cabo de controlo
13	Eixo
14	Protector (Resguardo do implemento de corte)
15	Cabeça de corte em nylon
16	Tampa do abastecedor de combustível
17	Manípulo de arranque
18	Tubo de escape
19	Tampão de óleo

MONTAGEM DA PEGA

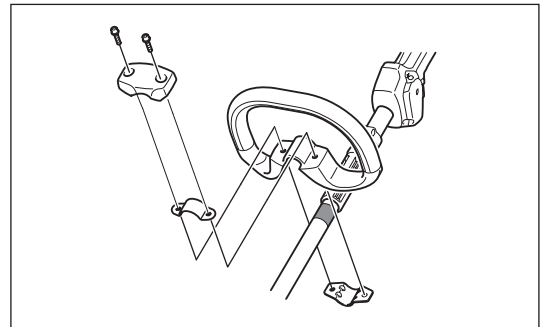
⚠ PRECAUÇÃO: Antes de efectuar qualquer trabalho no equipamento, desligue sempre o motor e retire o conector da vela de ignição da vela de ignição.
Use sempre luvas de protecção!

⚠ PRECAUÇÃO: Ligue o motor unicamente após a montagem completa.

Para máquinas com modelos de pega fechada

- Fixe a pega fechada no eixo, como mostrado.
- Certifique-se de que o espaçador no tubo do eixo está situado entre o conjunto da pega e a outra pega. Não remova nem encolha o espaçador.

NOTA: Em certos países, o espaçador não é fornecido com a ferramenta.
Nesse caso, alinhe a pega com o lado mais afastado da linha, indicado pelas setas.



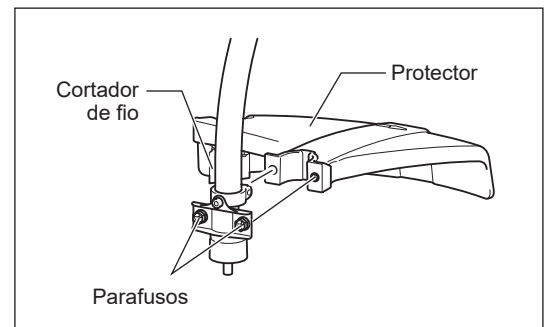
MONTAGEM DO PROTECTOR

Para obedecer às provisões de segurança aplicáveis, apenas devem ser utilizadas as combinações de ferramenta/protector indicadas na tabela.

⚠ PRECAUÇÃO: Não toque no cortador de fio no protector. Tocar no cortador de fio com as mãos desprotegidas pode resultar em ferimentos.

O protector deve estar instalado para manter o comprimento do fio de corte em nylon e proteger o operador contra a projecção de pedras e detritos. Coloque o protector da seguinte forma.

1. Coloque o protector de forma a que a saliência no eixo encaixe na ranhura no protector.
2. Aperte os dois parafusos.



MONTAGEM DA CABEÇA DE CORTE EM NYLON

⚠ AVISO: Nunca utilize lâminas de corte.

Certifique-se de que utiliza cabeças de corte em nylon da MAKITA genuínas.

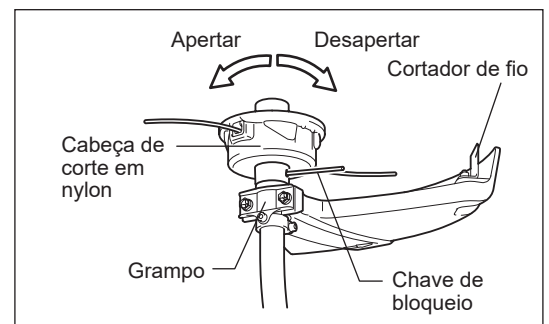
- Se a cabeça de corte em nylon for de encontro a uma pedra durante o funcionamento, pare o motor e verifique a cabeça de corte em nylon imediatamente.

⚠ PRECAUÇÃO: Não toque no cortador de fio no protector. Tocar no cortador de fio com as mãos desprotegidas pode resultar em ferimentos.

Coloque a cabeça de corte em nylon da seguinte forma.

1. Insira a chave de bloqueio através do orifício no grampo. Rode-os enquanto prime a chave de bloqueio, até que tranquem.
2. Aperte uma cabeça de corte em nylon no eixo, rodando para a direita. Certifique-se de que está bem fixa.
3. Retire a chave de bloqueio.

Para remover a cabeça de corte em nylon, rode-a para a esquerda.



ANTES DE INICIAR O FUNCIONAMENTO

Inspecção e reabastecimento de óleo do motor

- Execute o procedimento seguinte, com o motor arrefecido.
- Defina o nível do motor, retire o tampão de óleo (Fig. 1) e verifique se existe ou não óleo no intervalo entre as marcas de limite superior e inferior do tubo de óleo (Fig. 2).
- Abasteça com óleo até à marca do limite superior se o óleo for insuficiente (o nível de óleo está próximo da marca do limite inferior) (Fig. 3).
- A área em redor das marcas externas é transparente, por isso, a quantidade de óleo no interior pode ser verificada sem ter de retirar o tampão de óleo. No entanto, se o tubo de óleo ficar extremamente sujo, pode perder a visibilidade e terá de verificar o nível de óleo na secção escalonada no interior do tubo de óleo.
- Para referência, o tempo de abastecimento de óleo é cerca de 10 h (10 vezes ou 10 depósitos de gás antes de ser necessário encher com óleo).
Se o óleo mudar de cor ou misturar-se com sujidade, substitua por um óleo novo. (Para o intervalo e método de substituição, consulte P 122)

Óleo recomendado: Óleo 10W-30 SAE de classificação API, Classe SF ou superior (motor a 4 tempos para automóvel)

Volume de óleo: Aprox. 0,08 L

NOTA: Se o motor não estiver na vertical, o óleo pode acumular-se noutras partes do motor. O manómetro do nível do óleo pode indicar uma leitura incorrecta do nível do óleo.

Não encha com óleo se o motor não estiver na vertical. Se o óleo estiver acima do limite, o óleo pode estar contaminado ou pode incendiar-se com fumo branco.

Ponto 1 sobre a Substituição do óleo: “Tampão de óleo”

- Retire qualquer sujidade perto da entrada de abastecimento do óleo e desencaixe o tampão de óleo.
- Mantenha o tampão de óleo limpo. Caso contrário, qualquer sujidade que adira ao tampão de óleo pode causar uma circulação de óleo irregular ou desgaste nas peças do motor, que irá resultar em problemas.

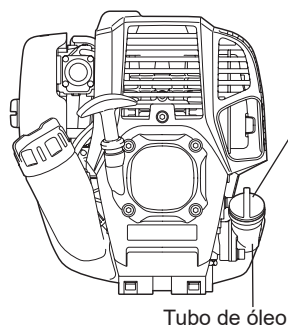


Fig. 1

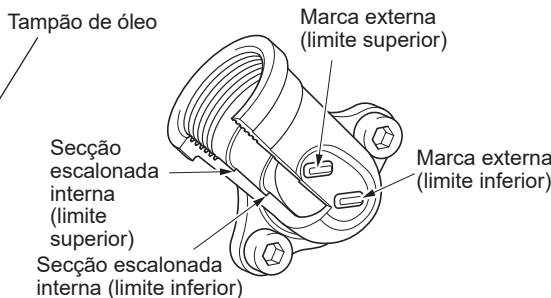


Fig. 2 Tubo de óleo

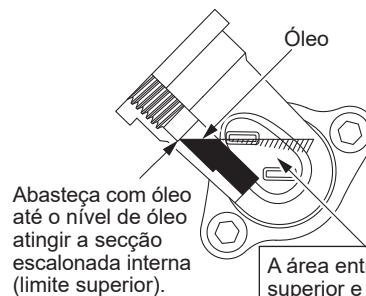
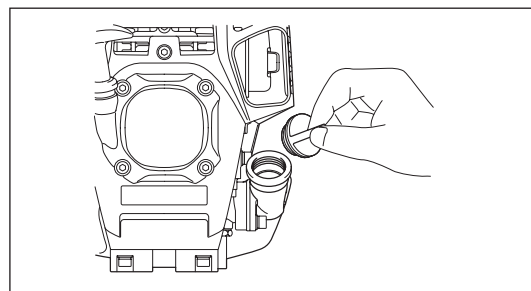


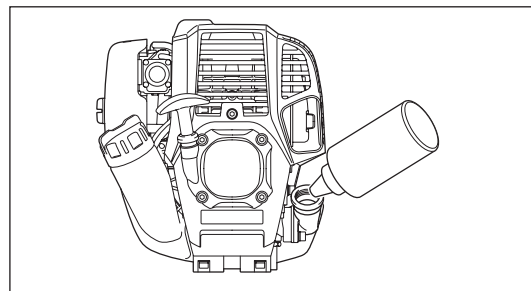
Fig. 3

A área entre os limites superior e inferior externos é transparente, por isso, o nível de óleo pode ser verificado externamente através destas marcas.

(1) Mantenha o motor nivelado e desencaixe o tampão de óleo.



(2) Abasteça com óleo até à marca do limite superior. (consulte a Fig. 3)
Utilize uma garrafa de óleo quando encher.



(3) Aperte de forma segura o tampão de óleo. Um aperto insuficiente pode causar fugas de óleo.

Nota

- Não substitua o óleo com o motor numa posição inclinada.
- Abastecer com óleo enquanto o motor está inclinado resulta no abastecimento excessivo que causa contaminação de óleo e/ou fumo branco.

Ponto 2 sobre a Substituição do óleo: “Em caso de derrames de óleo”

- Em caso de derrames de óleo entre o depósito de combustível e a unidade principal do motor, o óleo é aspirado pela porta de entrada do ar de refrigeração, que irá contaminar o motor. Certifique-se de que limpa o óleo derramado antes de iniciar o funcionamento.

ABASTECIMENTO

Lidar com o combustível

É necessário muito cuidado ao lidar com o combustível. O combustível pode conter substâncias semelhantes a solventes. O abastecimento tem de ser executado numa sala bem ventilada ou no exterior. Não inale vapores do combustível e evite qualquer contacto de combustível ou óleo com a sua pele. O contacto prolongado da sua pele com o combustível fará com que a sua pele fique extremamente seca, o que pode resultar em doenças de pele ou alergia. Se entrar combustível nos seus olhos, lave-os imediatamente com água limpa. Se os seus olhos ainda estiverem irritados, consulte imediatamente um médico.

Período de abastecimento de combustível

O combustível deve ser utilizado num período de 4 semanas, mesmo se for mantido num recipiente especial num local bem ventilado e à sombra.

Caso contrário, o combustível pode deteriorar-se num dia.

ARMAZENAMENTO DA MÁQUINA E DEPÓSITO DE ABASTECIMENTO

- Mantenha a máquina e o depósito num local fresco sem luz solar directa.
- Nunca mantenha o combustível num carro.

Combustível

O motor é um motor a quatro tempos. Utilize gasolina para automóveis sem chumbo com 87 ou mais octanas ((R+M)/2). Não pode conter mais de 10% de álcool (E-10).

Observações sobre o combustível

- Nunca utilize uma mistura de gasolina com óleo do motor. Caso contrário, causa uma acumulação excessiva de carbono ou problemas mecânicos.
- A utilização de óleo deteriorado irá causar um arranque irregular.

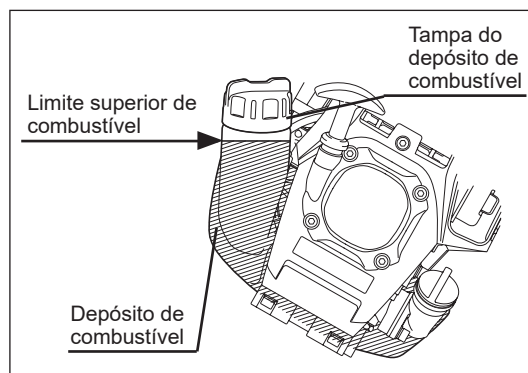
Abastecimento

⚠ AVISO: Desligue o motor antes do reabastecimento de combustível, mantenha-se longe das chamas abertas e não fume.

Gasolina usada: Gasolina para automóveis sem chumbo, 87 ou mais octanas. Não superior a 10% de álcool (E-10).

- Solte um pouco a tampa do depósito para libertar a pressão do depósito.
- Desencaixe a tampa do depósito e abasteça, descarregar o ar inclinando o depósito de combustível de modo a que a entrada de abastecimento esteja na vertical. **NÃO** encha o combustível até cima do depósito.
- Limpe rigorosamente a área fora da tampa do depósito para evitar que entre sujidade no depósito de combustível.
- Após o abastecimento, aperte bem a tampa do depósito.

- Se a tampa do depósito tiver falhas ou danos, substitua-a.
- O tampão do depósito desgasta-se ao longo do tempo. Substitua-o a cada dois a três anos.
- **NÃO** coloque combustível no orifício de enchimento de óleo.



PONTOS SOBRE O FUNCIONAMENTO E COMO PARAR

Leia os regulamentos sobre prevenção de acidentes aplicáveis!

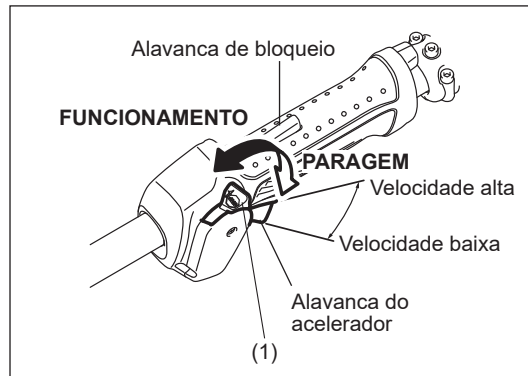


INÍCIO

Desloque no mínimo 3 m longe do local de abastecimento. Coloque a unidade no chão, tendo cuidado para que o implemento de corte não entre em contacto com o chão ou quaisquer outros objectos.

A: Arranque a frio

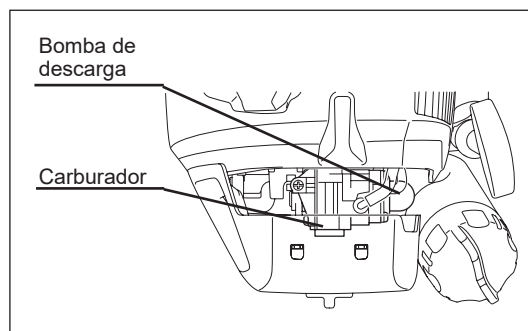
- 1) Monte esta máquina num espaço plano.
- 2) Regule o botão I-O (1) para FUNCIONAMENTO.



- 3) Bomba de descarga

Continue a empurrar a bomba de descarga até o combustível entrar na bomba de descarga. (Normalmente, o combustível entra na bomba de descarga após 7 a 10 empurrões.)

Se a bomba de descarga for empurrada em demasia, um excesso de gasolina regressa ao depósito de combustível.



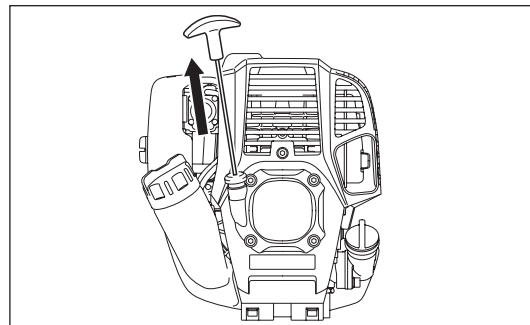
- 4) Fio de arranque

Puxe o manípulo de arranque suavemente até ficar difícil de puxar (ponto de compressão). De seguida, alivie o manípulo de arranque e puxe com força.

Nunca puxe a corda ao máximo. Assim que o manípulo de arranque for puxado, nunca solte a mão imediatamente. Segure o manípulo de arranque até este voltar ao ponto de origem.

- 5) Operação de aquecimento

Continue a operação de aquecimento durante 2 a 3 minutos.



NOTA: Em caso de entrada excessiva de combustível (afogamento), remova a vela de ignição e puxe a pega de arranque lentamente para remover o combustível em excesso. Também deverá limpar a secção dos eléctrodos da vela de ignição.

B: Arranque após operação de aquecimento

- 1) Empurre a bomba de descarga repetidamente.
- 2) Mantenha a alavanca do acelerador na posição de marcha lenta.
- 3) Puxe o fio de arranque com força.
- 4) Se for difícil arrancar o motor, abra o regulador de velocidade cerca de 1/3.

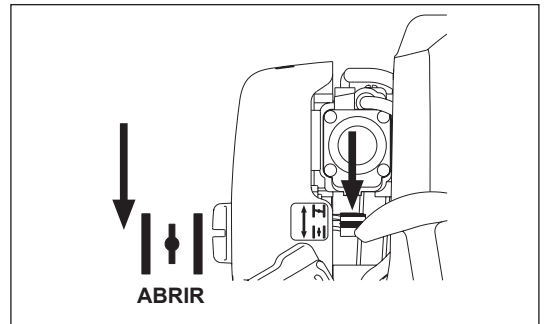
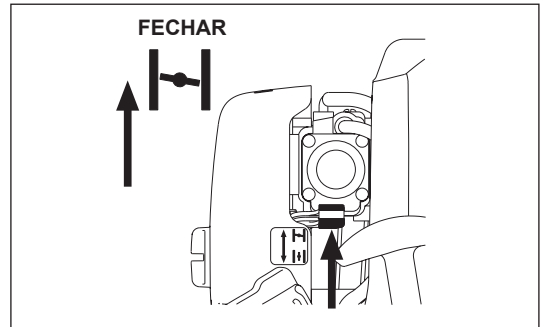
Em certos períodos, como o Inverno, quando é difícil ligar o motor

Utilize a alavanca do afogador com o procedimento seguinte ao ligar o motor.

- Após implementar os passos de arranque 1) a 3), coloque a alavanca do afogador na posição FECHAR.
- Implemente o passo de arranque 4) e ligue o motor.
- Assim que o motor arrancar, coloque a alavanca do afogador na posição ABRIR.
- Implemente o passo de arranque 5) e conclua o aquecimento.

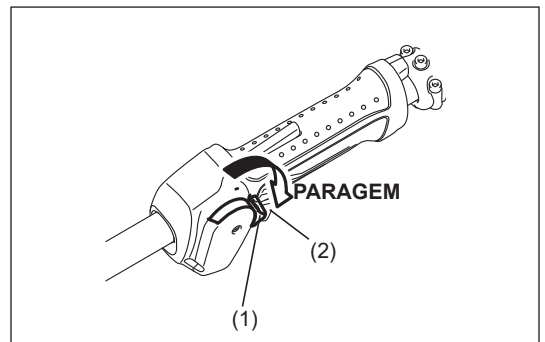
⚠ PRECAUÇÃO: Se ouvir um estouro (som explosivo) e o motor parar ou se o motor acabado de ligar parar antes de utilizar a alavanca do afogador, coloque a alavanca do afogador na posição ABRIR e puxe o manípulo de arranque algumas vezes para ligar o motor.

⚠ PRECAUÇÃO: Se a alavanca do afogador permanecer na posição FECHAR e se simplesmente puxar várias vezes o manípulo de arranque, será aspirado demasiado combustível e o motor terá dificuldades ao ligar.



PARAR

- 1) Solte totalmente a alavanca do acelerador (2) e quando as rpm do motor tiverem baixado, regule o botão I-O para PARAGEM, o motor irá parar.
- 2) Note que a cabeça de corte poderá não parar imediatamente e deixe sempre que ela abrande e pare completamente por si própria.

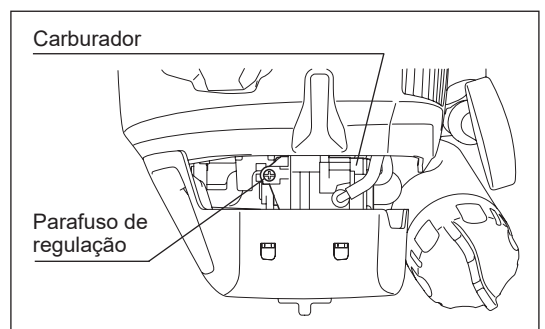


AJUSTE DE ROTAÇÃO DE BAIXA VELOCIDADE (MARCHA LENTA)

Quando é necessário ajustar a rotação de baixa velocidade (marcha lenta), efectue através do parafuso de regulação do carburador.

VERIFICAÇÃO DA ROTAÇÃO DE BAIXA VELOCIDADE

- Regule a rotação de baixa velocidade para 3.000 min⁻¹. Se for necessário alterar a rotação de baixa velocidade (ralenti), utilize uma chave de fendas phillips no parafuso ilustrado à direita.
- Rode o parafuso de regulação para a direita e a rotação do motor irá aumentar. Rode o parafuso de regulação para a esquerda e a rotação do motor irá diminuir.
- O carburador é normalmente regulado antes do envio. Após vários depósitos de gasolina, pode ser necessário reajustar as rotações.



A CABEÇA DE CORTE EM NYLON

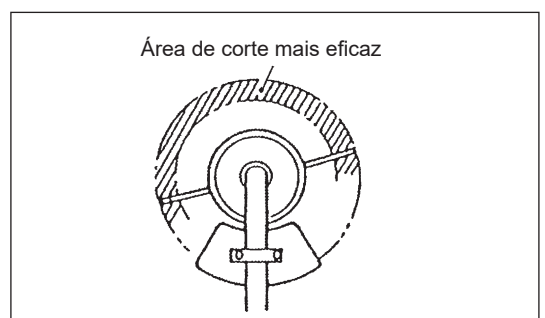
Durante o funcionamento, utilize a ponta do fio de corte em nylon para cortar.

Alimentar o fio de corte em nylon

À medida que o fio de corte em nylon se gasta e fica mais curto com a operação de corte, o operador tem de o alimentar manualmente.

Para alimentar o fio de corte em nylon, toque a cabeça de corte em nylon no chão enquanto estiver a rodar a cerca de 6.000 min⁻¹.

NOTA: Se o fio de corte em nylon não sair, rebobine-o.



Substituir o fio de nylon

⚠ AVISO: Certifique-se de que a tampa da cabeça de corte em nylon está fixa à armação adequadamente, como descrito abaixo. A má fixação da tampa pode fazer com que a cabeça de corte em nylon seja projectada resultando em ferimentos pessoais graves.

Pressione os entalhes da armação e levante para retirar a tampa. Elimine qualquer fio de nylon restante.

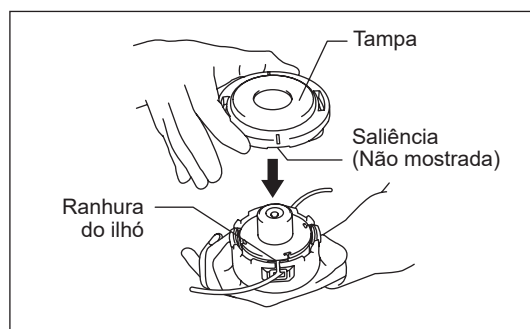
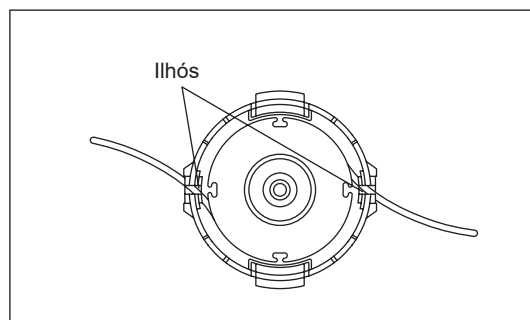
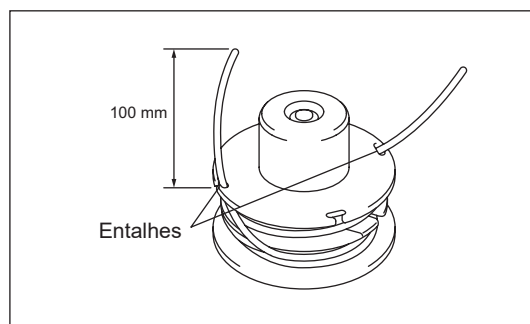
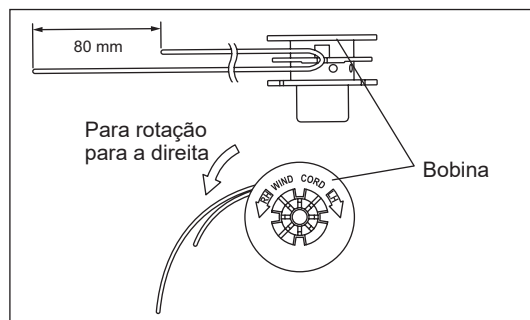
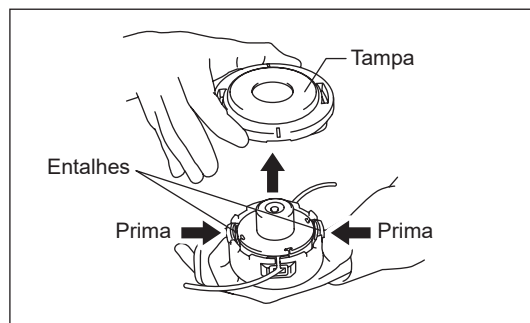
Engate o meio do novo fio de nylon no entalhe situado no centro da bobina entre os 2 canais fornecidos para o fio de nylon. Um lado do fio deve ser cerca de 80 mm maior do que o outro lado.

Enrole ambas as extremidades na bobina no sentido marcado na cabeça para direcção para a direita, indicada por RH.

Enrole tudo excepto cerca de 100 mm dos fios, deixando as extremidades temporariamente presa através do entalhe no lado da bobina.

Monte a bobina na armação para que as ranhuras e as saliências na bobina correspondam com as da armação. Agora, desengate as extremidades do fio da posição temporária e forneça os fios pelos ilhós para saírem pela armação.

Alinhe a saliência no lado inferior da tampa com as ranhuras dos ilhós. De seguida, empurre firmemente na armação para a fixar. Certifique-se de que os entalhes estão totalmente espalhados na tampa.



INSTRUÇÕES DE SERVIÇO

- ⚠ PRECAUÇÃO:** Antes de efectuar qualquer trabalho no equipamento, desligue sempre o motor e retire a tampa da vela de ignição (ver “verificar a vela de ignição”).
Use sempre luvas de protecção!

Para garantir um longo tempo de funcionamento e para evitar quaisquer danos no equipamento, as seguintes operações de serviço devem ser executadas em intervalos regulares.

Inspecção e manutenção diárias

- Antes do funcionamento, verifique se existem parafusos soltos na máquina ou se faltam peças. Tome atenção ao aperto da cabeça de corte em nylon.
- Antes do funcionamento, verifique sempre a passagem de ar de refrigeração e as alhetas do cilindro por obstruções. Limpe-as se necessário.
- Efectue o seguinte trabalho diariamente após a utilização:
 - Limpe o equipamento externamente e inspecione por danos.
 - Limpe o filtro de ar. Ao trabalhar em condições de muito pó, limpe o filtro várias vezes por dia.
 - Verifique se a cabeça de corte em nylon está danificada e certifique-se de que está devidamente montada.
 - Verifique se existe diferença suficiente entre as velocidades de marcha lenta e de embraiagem para se certificar de que o implemento de corte está num ponto de imobilização enquanto o motor está em marcha lenta (se necessário, reduza a velocidade de marcha lenta). Se em condições de marcha lenta a ferramenta ainda continuar a funcionar, consulte o Agente de Serviço Autorizado mais próximo.
- Verifique o funcionamento do botão I-O, a alavanca de bloqueio, a alavanca do acelerador e o botão de bloqueio.

SUBSTITUIÇÃO DO ÓLEO DO MOTOR

Um óleo do motor deteriorado diminuirá a vida do motor. Certifique-se de que verifica regularmente o óleo e o nível.



ATENÇÃO: Normalmente, a unidade principal do motor e o óleo do motor ainda permanecem quentes logo após a paragem do motor. Quando da substituição do óleo, certifique-se de que a unidade principal do motor e o óleo do motor estão suficientemente arrefecidos. Caso contrário, pode existir um risco de queimadura.

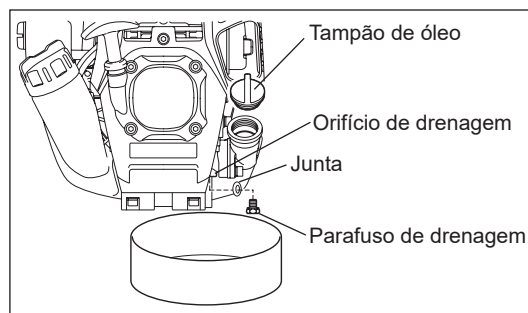
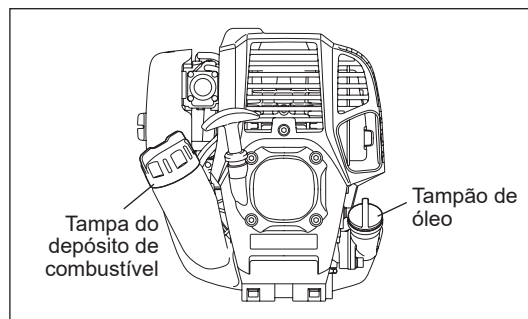
NOTA: Se o óleo estiver acima do limite, pode estar contaminado ou pode incendiar-se com fumo branco.

Intervalo de substituição: Após 20 horas de funcionamento, seguido de 50 horas de funcionamento.

Óleo recomendado: Óleo 10W-30 SAE de classificação API, Classe SF ou superior (motor a 4 tempos para automóvel)

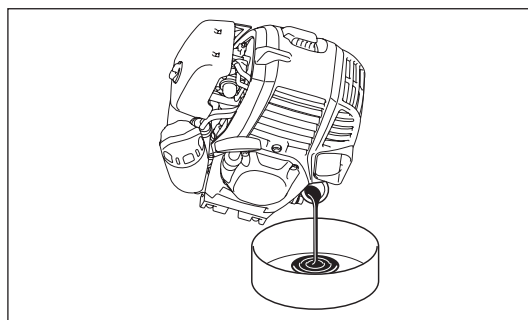
Aquando da substituição, execute o procedimento seguinte.

- 1) Certifique-se de que a tampa do depósito de combustível está bem apertada.
- 2) Coloque um recipiente grande sob o orifício de purga.
- 3) Remova o parafuso de drenagem e retire o tampão de óleo para drenar o óleo a partir do orifício de drenagem.
Neste momento, certifique-se de que não solta a junta do parafuso de drenagem ou que nenhum dos componentes removidos fica sujo.
- 4) Quando todo o óleo tiver sido drenado, instale a junta e o parafuso de drenagem e aperte bem o parafuso de drenagem, de forma a que não fique solto nem cause fugas.
* Utilize um pano para limpar qualquer óleo no parafuso e equipamento.

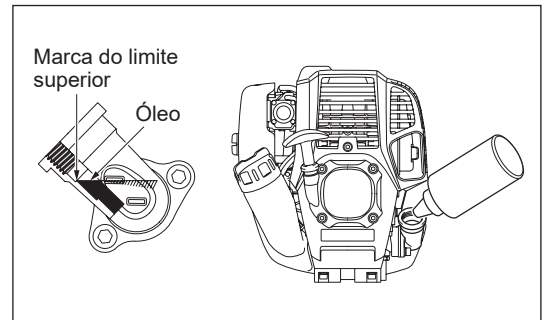
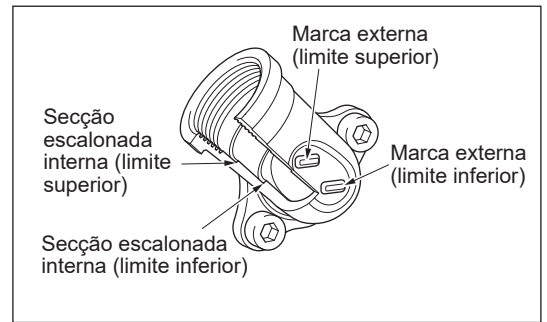


Método de purga alternativo

Retire o tampão de óleo, incline o equipamento na direcção do orifício de enchimento de óleo e purgue o óleo.
Recolha o óleo num recipiente.



- 5) Defina o nível do motor e abasteça gradualmente até à marca do limite superior com óleo novo.
- 6) Depois de encher, aperte o tampão de óleo, de forma a que não se solte e provoque fugas.
Se o tampão de óleo não estiver bem fixa, pode ter uma fuga.



PONTOS SOBRE O ÓLEO

- Nunca elimine o óleo do motor substituído no lixo, terra ou sarjeta. A eliminação do óleo está regulada por lei. Aquando da eliminação, siga sempre as respectivas leis e regulações. Para quaisquer pontos que permaneçam desconhecidos, contacte o Agente de Serviço Autorizado.
- O óleo irá deteriorar mesmo quando não é utilizado. Execute a inspeção e a substituição a intervalos regulares (substitua por óleo novo a cada 6 meses).

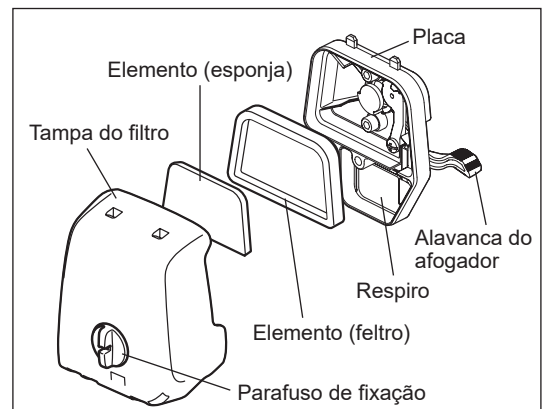
LIMPEZA DO FILTRO



AVISO: Desligue o motor, mantenha-se longe das chamas abertas e não fume.

Intervalo de limpeza e inspeção: Diariamente (a cada 10 horas de funcionamento)

- Rode a alavanca do afogador para o lado totalmente fechado e mantenha o carburador longe de qualquer pó ou sujidade.
- Desaperte o parafuso de fixação.
- Retire a tampa do filtro de ar ao puxar pelo seu lado inferior.
- Retire os elementos e bata neles para remover a sujidade.
- Se os elementos estiverem muito contaminados:
Remova os elementos, mergulhe-os em água quente ou em detergente neutro diluído em água e seque-os por completo. Não os esprema nem os esfregue ao lavar.
- Antes de instalar os elementos, certifique-se de que os seque por completo. Uma secagem insuficiente dos elementos pode resultar em arranques difíceis.
- Limpe o óleo em torno da tampa do filtro de óleo e do respiro com desperdícios.
- Instale o elemento (esponja) no elemento (feltro).
Instale os elementos na placa de modo a que a esponja esteja virada para a tampa do filtro.
- Instale imediatamente a tampa do filtro e aperte-a com parafusos de fixação.
(Aquando da montagem, primeiro coloque a garra superior e, de seguida, a garra inferior.)



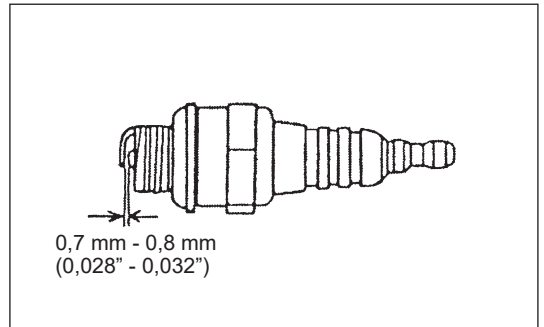
AVISO:

- Limpe os elementos várias vezes ao dia, se houver demasiado pó agarrado. Os elementos sujos reduzem a potência do motor e tornam os arranques difíceis.
- Retire o óleo dos elementos. Se a operação continuar com os elementos ainda com óleo, o óleo no filtro de ar pode cair fora, resultando na contaminação do ambiente.
- Não coloque os elementos no solo ou num local sujo. Caso contrário, apanham sujidade ou resíduos e podem danificar o motor.
- Nunca utilize combustível para limpar os elementos. O combustível pode danificá-los.

VERIFICAR A VELA DE IGNIÇÃO

- Utilize apenas a chave universal fornecida para remover ou instalar a vela de ignição.
- O espaço entre os dois eléctrodos da vela de ignição deverá estar a 0,7 – 0,8 mm. Se o espaço for demasiado largo ou estreito, ajuste-o. Se a vela de ignição estiver entupida ou contaminada, limpe-a rigorosamente ou substitua-a.

⚠ PRECAUÇÃO: Nunca toque no conector da vela de ignição enquanto o motor estiver a trabalhar (perigo de choque eléctrico de alta tensão).



LIMPEZA DO FILTRO DE COMBUSTÍVEL

⚠ AVISO: INFLAMÁVEIS ESTRITAMENTE PROIBIDOS

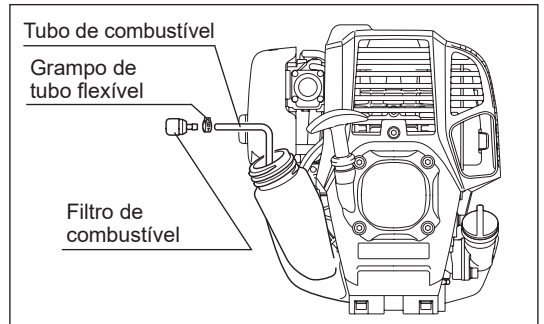
Intervalo de limpeza e inspecção: Mensalmente (a cada 50 horas de funcionamento)

Cabeça de sucção no depósito de combustível

Verifique periodicamente o filtro de combustível. Para verificar o filtro de combustível, siga os passos abaixo.

- (1) Retire a tampa do depósito de combustível, purgue o combustível para esvaziar o depósito. Verifique o interior do depósito por quaisquer materiais estranhos. Caso existam, remova-os.
- (2) Retire a cabeça de sucção ao utilizar um gancho de arame através da abertura do depósito.
- (3) Se o filtro de combustível estiver ligeiramente entupido, limpe-o. Para limpá-lo, abane-o ligeiramente e mergulhe-o em combustível. Para evitar danos, não o esprema nem o esfregue. O combustível utilizado para a limpeza tem de ser eliminado de acordo com o método especificado pelas regulamentações no seu país.
Se o filtro de combustível ficar rígido ou altamente entupido, substitua-o.
- (4) Após verificar, limpar ou substituir, introduza o filtro de combustível ao máximo até ao fundo do depósito de combustível.

Um filtro de combustível entupido ou danificado pode causar um fornecimento insuficiente de combustível e reduzir a potência do motor. Substitua o filtro de combustível, no mínimo, a cada três meses para garantir um fornecimento adequado de combustível para o carburador.



SUBSTITUIÇÃO DO TUBO DE COMBUSTÍVEL

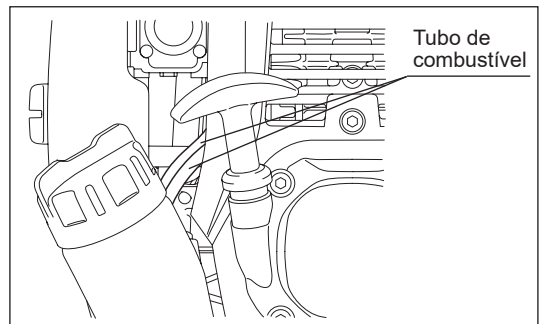
⚠ PRECAUÇÃO: INFLAMÁVEIS ESTRITAMENTE PROIBIDOS

Intervalo de limpeza e inspecção: Diariamente (a cada 10 horas de funcionamento)

Substituição: Anualmente (a cada 200 horas de funcionamento)

Substitua o tubo de combustível todos os anos, independentemente da frequência de funcionamento. As fugas de combustível podem provocar um incêndio.

Se detectar alguma fuga durante a inspecção, substitua o tubo de combustível imediatamente.



INSPECÇÃO DE PARAFUSOS E PORCAS

- Reaperte parafusos e porcas desapertados, etc.
- Verifique se as tampas do combustível e do óleo estão bem apertadas. Inspeccione por fugas de combustível e óleo.
- Substitua as peças danificadas por peças novas para um funcionamento seguro.

LIMPEZA DAS PEÇAS

- Mantenha sempre o motor limpo.
- Mantenha as alhetas do cilindro e a entrada de ar livres de pó ou sujidade. O pó ou a sujidade que adira às alhetas irá causar falha do êmbolo.

SUBSTITUIÇÃO DAS JUNTAS E EMPANQUES

Aquando da desmontagem do motor, certifique-se de que substitui as juntas e os empanques por uns novos.

Qualquer manutenção ou ajuste que não esteja incluído e descrito neste manual deve ser efectuado apenas pelos Agentes de Serviço Autorizados.

ARMAZENAMENTO



AVISO: Quando purgar o combustível, certifique-se de que pára o motor e deixa o motor arrefecer. Logo após a paragem do motor, este pode ainda estar quente correndo o risco de queimaduras, inflamabilidade e incêndio.



ATENÇÃO: Quando a máquina não é utilizada durante um longo período, purgue todo o combustível do depósito de combustível e carburador e guarde-a num local seco e limpo.

- Purgue o combustível do depósito de combustível e carburador de acordo com o procedimento seguinte:
 - 1) Retire a tampa do depósito de combustível e purgue o combustível por completo. Se restar algumas substâncias estranhas no depósito de combustível, retire-as por completo.
 - 2) Retire o filtro de combustível da entrada de abastecimento utilizando um fio.
 - 3) Empurre a bomba de descarga até purgar combustível e purgue o combustível que entra no depósito de combustível.
 - 4) Coloque novamente o filtro no depósito de combustível e aperte bem a tampa do depósito de combustível.
 - 5) De seguida, continue a operar o motor até parar.
- Retire a vela de ignição e goteje várias gotas de óleo do motor pelo orifício da vela de ignição.
- Puxe suavemente a pega de arranque para que o óleo do motor se espalhe pelo motor e encaixe a vela de ignição.
- No geral, armazene a máquina numa posição horizontal ou, se não for possível, coloque a máquina de modo a que motor fique abaixo da ferramenta de corte. Caso contrário, pode ocorrer uma fuga de óleo do motor. Preste atenção à forma como armazena a máquina para evitar que esta caia. Caso contrário, pode resultar em ferimentos pessoais.
- Guarde o combustível purgado num recipiente especial num local bem ventilado.

Atenção após armazenamento de longa duração

- Antes do arranque após paragem de longa duração, certifique-se de que substitui o óleo (consulte P 122). O óleo irá deteriorar enquanto a máquina não é utilizada.

Identificação de falhas

Avaria	Sistema	Observação	Causa
O motor não arranca ou arranca com dificuldade	Sistema de ignição	Ignição por vela O.K.	Avaria no fornecimento de combustível ou sistema de compressão, defeito mecânico
		Sem ignição por vela	Funcionamento através do botão STOP, avaria na cablagem ou curto-circuito, vela de ignição ou conector defeituoso, módulo de ignição avariado
	Fornecimento de combustível	Depósito de combustível enchido	Posição do afogador incorrecta, carburador defeituoso, linha de fornecimento do combustível dobrada ou bloqueada, combustível sujo
	Compressão	Sem compressão quando parada	Junta inferior do cilindro defeituosa, vedantes da cambota danificados, anéis do pistão ou do cilindro defeituosos ou vedação imprópria da vela de ignição.
Problemas no arranque a quente	Avaria mecânica	Dispositivo de arranque não engrenado	Mola do dispositivo de arranque partida, peças partidas dentro do motor
		Depósito cheio vela de ignição existente	Carburador contaminado, limpe-o
O motor arranca mas morre	Fornecimento de combustível	Depósito cheio	Ajuste da marcha lenta incorrecto, carburador contaminado Ventilação do depósito de combustível defeituosa, linha de fornecimento de combustível interrompida, cabo ou botão STOP avariado
Desempenho insuficiente	Vários sistemas podem estar afectados em simultâneo	Marcha lenta do motor fraca	Filtro de ar contaminado, carburador contaminado, silenciador entupido, conduta de escape no cilindro entupida

Item	Tempo de funcionamento								P correspondente
		Antes do funcionamento	Após lubrificação	Diária (10h)	30h	50h	200h	Paragem/repouso	
Óleo do motor	Inspeccione/limpe	○							117
	Substitua					○*1			122
Peças de aperto (parafuso, porca)	Inspeccione	○							124
Depósito de combustível	Limpe/inspeccione	○							—
	Drenar o combustível							○*3	125
Alavanca do acelerador	Verifique função		○						—
Interruptor de paragem	Verifique função		○						120
Implemento de corte	Inspeccione	○		○					116
Rotação a baixa velocidade	Inspeccione/ajuste			○					120
Filtro	Limpe			○					123
Vela de ignição	Inspeccione			○					124
Entrada de ar de arrefecimento	Limpe/inspeccione			○					124
Tubo de combustível	Inspeccione			○					124
	Substitua						◎*2		—
Filtro de combustível	Limpe/substitua					○			124
A folga entre a válvula de entrada de ar e a válvula de descarga de ar	Ajuste						◎*2		—
Revisão do motor							◎*2		—
Carburador	Drenar o combustível							○*3	125

*1 Efectue a substituição inicial após 20 horas de funcionamento.

*2 Para a inspecção após 200 horas de funcionamento, dirija-se junto de um Agente de Assistência Autorizado ou oficina.

*3 Depois de esvaziar o depósito de combustível, continue com o motor a trabalhar e drene o combustível no carburador.

RESOLUÇÃO DE PROBLEMAS

Antes de efectuar um pedido para reparações, verifique você mesmo o problema. Se encontrar uma anomalia, controle a máquina de acordo com a descrição neste manual. Nunca altere nem desmonte qualquer peça contrária à descrição. Para reparações, contacte o Agente de Serviço Autorizado ou concessionário local.

Estado de anomalia	Causa provável (avaria)	Solução
O motor não arranca	Falha ao operar a bomba de descarga	Empurre 7 a 10 vezes
	Velocidade de puxo baixa da corda de arranque	Puxe com força
	Falta de combustível	Forneça combustível
	Filtro de combustível obstruído	Limpe
	Tubo de combustível quebrado	Endireite o tubo de combustível
	Combustível deteriorado	O combustível deteriorado torna o arranque mais difícil. Substitua por combustível novo. (Substituição recomendada: 1 mês)
	Tampa da vela desencaixada	Encaixe bem
	Vela de ignição contaminada	Limpe
	Folga anómala da vela de ignição	Ajuste a folga
	Outra anomalia da vela de ignição	Substitua
	Carburador anómalo	Peça uma inspecção e manutenção.
	A corda de arranque não pode ser puxada	Peça uma inspecção e manutenção.
	Sistema de accionamento anómalo	Peça uma inspecção e manutenção.
O motor pára rapidamente A velocidade do motor não aumenta	Aquecimento insuficiente	Execute a operação de aquecimento
	A alavanca do afogador está regulada para "FECHAR" apesar do motor estar quente.	Regule para "ABRIR"
	Filtro de combustível obstruído	Limpe ou substitua
	Filtro contaminado ou obstruído	Limpe
	Carburador anómalo	Peça uma inspecção e manutenção.
	Sistema de accionamento anómalo	Peça uma inspecção e manutenção.
O implemento de corte não roda. ↓ Pare o motor imediatamente	O implemento de corte não está bem apertado.	Aperte bem o implemento de corte.
	Ficou preso um galho entre o implemento de corte e o protector.	Retire as substâncias estranhas.
	O sistema de accionamento não funciona correctamente.	Peça ao centro de assistência autorizado Makita inspeccionar e reparar.
A unidade vibra de forma anómala. ↓ Pare o motor imediatamente	O implemento de corte está partido.	Substitua o implemento de corte por um novo.
	O implemento de corte não está bem apertado.	Aperte bem o implemento de corte.
	Uma extremidade do fio de corte em nylon quebrou e a cabeça de corte em nylon ficou desequilibrada.	Alimente o fio de corte de nylon tocando a cabeça de corte em nylon no chão.
	O sistema de accionamento não funciona correctamente.	Peça ao centro de assistência autorizado Makita inspeccionar e reparar.
O implemento de corte não pára. ↓ Pare o motor imediatamente	A unidade de alimentação não funciona correctamente.	Consulte o manual de instruções da unidade de alimentação.
O motor não pára ↓ Coloque o motor em marcha lenta e regule a alavanca do afogador para FECHAR	Conector desencaixado	Encaixe bem
	Sistema eléctrico anómalo	Peça uma inspecção e manutenção.
O fio de corte em nylon não é alimentado.	O fio está gasto ou emaranhado na bobina.	Rebobine o fio.
O fio de corte em nylon não tem o comprimento correcto.	O cortador de fio no protector está danificado ou em falta.	Peça ao centro de assistência autorizado Makita para substituir o cortador de fio.
	O fio está para lá do protector.	Rebobine o fio.

Quando o motor não arranca após a operação de aquecimento:

Se não encontrar nenhuma anomalia nos itens de verificação, abra o regulador de velocidade cerca de 1/3.

















Tak fordi du har købt en MAKITA udendørsmaskine. Vi er glade for at kunne anbefale dig dette MAKITA-produkt, der er resultatet af et langt udviklingsprogram og mange års viden og erfaring. Læs venligst dette hæfte der i detaljer gennemgår de forskellige punkter, som demonstrerer maskinens fremragende ydeevne. Det vil gøre dig i stand til at opnå det bedst mulige resultat med dit MAKITA-produkt.



Indhold	Side
Symboler	128
Sikkerhedsanvisninger	129
Tekniske data.....	132
Delenes betegnelser.....	133
Montering af håndtag.....	134
Montering af afskærmning.....	134
Montering af nylontrimmerhoved	134
Inden anvendelse	135
Punkter vedrørende betjening og stopprocedure	137
Nylontrimmerhovedet	138
Vedligeholdelsesinstruktioner	140
Opbevaring	143

SYMBOLER

Du skal være opmærksom på følgende symboler, når du læser brugsanvisningen.

	Læs brugsanvisningen og overhold advarsels- og sikkerhedsforholdsreglerne!		Bær hjelm, øjen- og høreværn.
	Vær særlig forsigtig og opmærksom!		Maksimal tilladelig hastighed for værktøj max 10000min ⁻¹
	Forbudt!		Brændstof (Benzin)
	Hold afstand!		Manuel start af motor
	Risiko for flyvende genstande!		Nødstop
	Rygning forbudt!		Førstehjælp
	Brug af åben ild forbudt!		TÆNDT/START
	Der skal anvendes beskyttelseshandsker!		SLUKKET/STOP
	Anvend kraftige støvler med skridsikre såler. Sikkerhedssko med stål-næse anbefales!		Anvend aldrig metallringer
	Hold arbejdsområdet fri for personer og dyr!		

SIKKERHEDSANVISNINGER

Generelle retningslinjer

- Læs denne brugsanvisning så du bliver fortrolig med håndteringen af maskinen. Brugere, som ikke kender tilstrækkeligt til anvendelsen, er til fare for dem selv og andre pga. forkert håndtering af maskinen.
- Det anbefales kun at udlåne maskinen til personer, som har erfaring med håndtering af sådanne maskiner. Overdrag altid brugsanvisningen.
- Førstegangsbrugere bør bede forhandleren om grundlæggende instrukser for at få kendskab til håndteringen af en trådtrimmer.
- Børn og personer under 18 år må ikke anvende maskinen. Personer over 16 må anvende maskinen til træningsformål under vejledning af en kvalificeret underviser.
- Anvend maskinen med allerstørste omhu og opmærksomhed.
- Anvend kun maskinen hvis du er ved godt helbred. Udfør alt arbejde roligt og forsigtigt. Brugeren har ansvaret for andre.
- Anvend aldrig denne maskine efter indtagelse af alkohol eller medicin, eller hvis du føler dig træt eller dårligt tilpas.
- Nationale bestemmelser kan begrænse brugen af maskinen.

Beregnet brug af maskinen

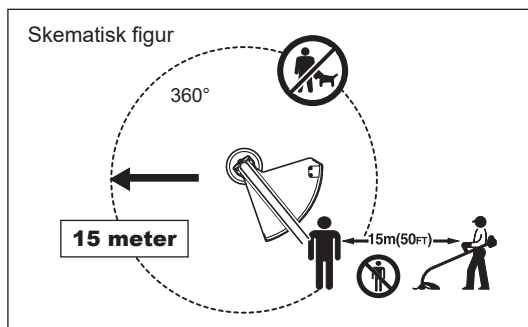
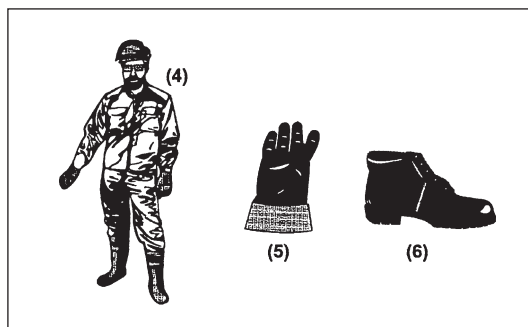
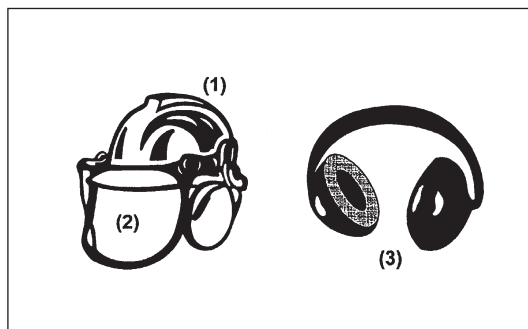
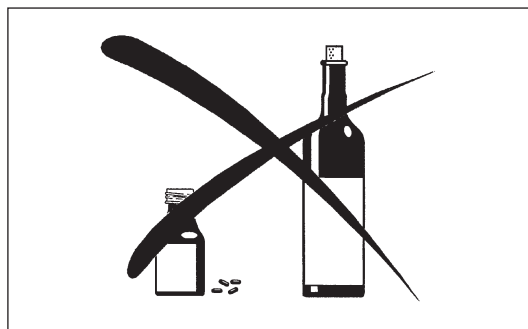
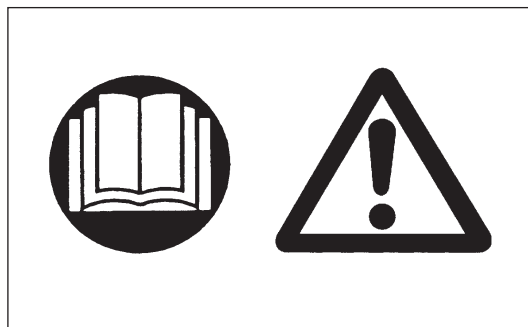
- Denne maskine er kun beregnet til klipning af græs og mindre ukrudt. Den må ikke bruges til andre formål som f.eks. kantafretning eller hækkeklipning, eftersom det kan medføre personskader.

Personligt sikkerhedsudstyr

- Der skal bæres funktionelt og passende tøj, dvs. det bør sidde tæt, men ikke være til hindring. Bær ikke smykker eller tøj, der kan sidde fast i buske eller krat.
- For at undgå skader på hoved, øjne, hænder eller fødder samt for at beskytte din hørelse, skal du altid bære følgende sikkerhedsudstyr og beskyttelsesbeklædning under anvendelsen.
- Bær altid en hjelm på steder hvor der er risiko for, at ting falder ned. Beskyttelseshjelm (1) skal med jævne mellemrum efterses for skader, og skal udskiftes mindst hvert 5 år. Brug kun godkendte beskyttelseshjelme.
- Hjelmens visir (2) (eller alternativt beskyttelsesbriller) beskytter ansigtet mod flyvende afskårne dele og sten. Der skal der altid anvendes beskyttelsesbriller eller et visir under anvendelsen for at forhindre øjenskader.
- Anvend passende midler til beskyttelse mod støj for at undgå hørenedsættelse (hørevern (3) ørepropper m.v.).
- Arbejdsoveralls (4) beskytter mod flyvende sten og afskårne stykker. Vi anbefaler på det kraftigste, at brugeren anvender arbejdsoveralls.
- Handsker (5) er en del af det foreskrevne udstyr og skal altid bæres under anvendelsen.
- Når du anvender maskinen, skal du altid have solide sko (6) med skridsikre såler på. Dette beskytter mod skader og sikrer et godt fodfæste.

Start af den benzindrevne trådtrimmer

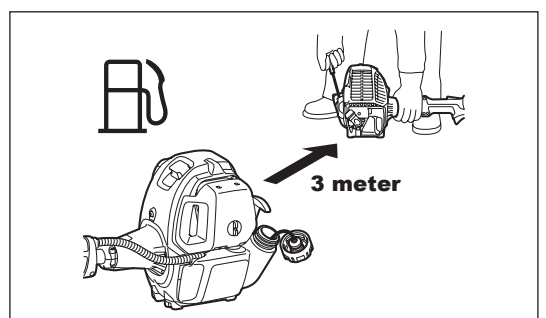
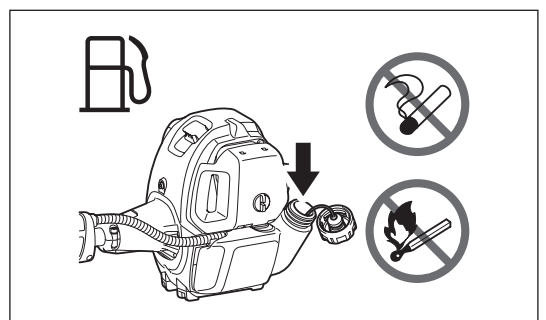
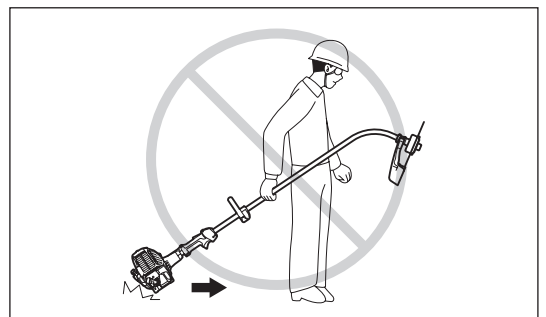
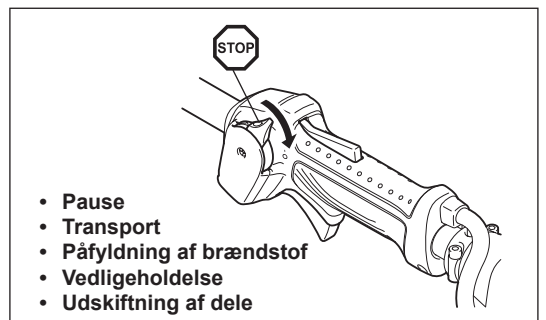
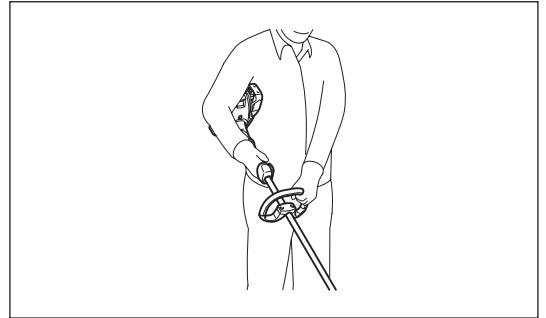
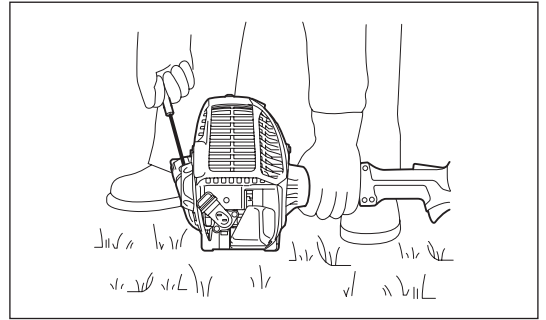
- Sørg venligst for, at der ikke er nogen børn eller andre personer inden for et arbejdsområde på 15 meter, samt vær opmærksom på eventuelle dyr i nærheden af arbejdsområdet.
- Før arbejdet påbegyndes, skal du altid kontrollere, at maskinen er klar til drift: Kontroller sikkerheden af skæreudstyret, om gashåndtaget glider nemt, samt kontroller at gashåndtagslåsen virker.
- Skæreudstyret må ikke rotere i tomgang. Forhør dig hos din forhandler angående justering, hvis du er i tvivl. Sørg for, at håndtagene er rene og tørre og test funktionen af start/stop-kontakten.



- Start kun den benzindrevne trådtrimmer som beskrevet i brugsanvisningen.
- Benyt ikke andre metoder til at starte motoren med!
- Brug kun den benzindrevne trådtrimmer og værktøjerne til de specificerede anvendelser.
- Start kun motoren, når monteringen er fuldstændig udført. Det er kun tilladt at anvende maskinen, efter alt tilbehøret er monteret!
- Inden du starter, skal du sikre dig, at skæreudstyret ikke er i kontakt med hårde objekter som f.eks. grene, sten eller lignende, eftersom skæreudstyret drejer rundt, når du starter.
- Motoren skal øjeblikkeligt slås fra i tilfælde af motorproblemer.
- Skulle skæreudstyret ramme sten eller andre hårde objekter, skal du straks slukke for motoren og efterse skæreudstyret.
- Efterse skæreudstyret for skader med korte jævne mellemrum (efterse for hårridser vha. banke-støj-testen).
- Hvis maskinen bliver udsat for stærkt tryk eller tabes, skal du kontrollere dens tilstand, inden du fortsætter arbejdet. Kontroller brændstofsyste­met for brændstoflækage samt betjenings- og sikkerhedsudstyr for funktionsfejl. Hvis der er nogen skader eller tvivlsspørgsmål, skal du bede vores autoriserede servicecenter om at foretage eftersyn og reparation.
- Den benzindrevne trådtrimmer skal altid holdes med begge hænder under brug. Hold aldrig den benzindrevne trådtrimmer med kun én hånd under brug. Sørg altid for at have et godt fodfæste.
- Anvend maskinen på en sådan måde, at du undgår at indånde udstødningsgasserne. Lad aldrig motoren køre i indelukkede rum (risiko for gasforgiftning). Kulilte er en lugtfri gas.
- Sluk for motoren under pauser og når maskinen efterlades uden opsyn, og placer den på et sikkert sted for at forhindre at den er til fare for andre, eller maskinen beskadiges.
- Læg aldrig den varme benzindrevne trådtrimmer på tørt græs eller andet letantændeligt materiale.
- Monter altid den godkendte skærm for skæreudstyret på maskinen, inden du starter motoren. Ellers kan kontakt med skæreudstyret muligvis medføre alvorlig personskade.
- Alle sikkerhedsinstallationer og skærme, der følger med maskinen, skal anvendes under betjeningen.
- Anvend aldrig motoren med en defekt lyddæmper.
- Sluk for motoren under transport.
- Sørg for at placere maskinen sikkert under biltransport for at undgå brændstoflækage.
- Sørg for at brændstoftanken er helt tom under transport.
- Når maskinen tages af vognen, må motoren aldrig tabes på jorden, eftersom dette kan medføre alvorlig beskadigelse af brændstoftanken.
- Undtagen i nødstilfælde må du aldrig tabe eller kaste maskinen ned på jorden, ellers kan dette beskadige maskinen alvorligt.
- Husk altid at løfte hele maskinen op fra jorden, når du flytter den. Det er yderst farligt at trække brændstoftanken hen over jorden, og det kan forårsage skader samt lækage af brændstof, der muligvis kan medføre brandudvikling.

Påfyldning af brændstof

- Sluk for motoren under påfyldning af brændstof, hold maskinen væk fra åben ild, samt undlad ryge.
- Undgå hudkontakt med mineralske olieprodukter. Indånd ikke brændstofdampe. Bær altid beskyttelseshandsker under påfyldning af brændstof. Skift og rens beskyttelsesbeklædningen med jævne mellemrum.
- Pas på ikke at spilde hverken brændstof eller olie for at forhindre forurening af jorden (miljøbeskyttelse). Rengør straks den benzindrevne trådtrimmer, efter der er spildt brændstof.
- Undgå at få brændstof på tøjet. Skift øjeblikkeligt tøj, hvis der kommer brændstof på (for at undgå at der går ild i tøjet).
- Efterse brændstofdækslet med jævne mellemrum for at sikre, at det kan lukkes ordentligt, og der ikke lækker brændstof ud.
- Stram omhyggeligt brændstoftankens dæksel til. Skift sted inden motoren startes (mindst 3 meter væk fra stedet for brændstofpåfyldningen).
- Påfyld aldrig brændstof i lukkede rum. Der kan ophobes brændstofdampe i jordhøjde (risiko for eksplosion).
- Foretag kun transport og opbevaring af brændstof i godkendte beholdere. Sørg for, at brændstof opbevares således, at børn ikke har adgang til det.



Betjeningsmetode

- Brug kun maskinen i god belysning og med godt udsyn. I vintersæsonen skal du være på vagt overfor glatte eller våde områder, is og sne (der er risiko for at falde). Sørg altid for at have et godt fodfæste.
- Skær aldrig over hoftehøjde.
- Stå aldrig på en stige med maskinen.
- Kravl aldrig op i træer for at klippe eller skære.
- Arbejd aldrig på ustabile overflader.
- Fjern sand, sten, søm m.v. som findes inden for arbejdsområdet.
- Inden foretagelse af skærearbejde skal skæreudstyret have nået op på fuld arbejdshastighed.
- Foretag ensartet svingning af den benzindrevne trådtrimmer. Hvis der sætter sig græs eller grene fast mellem skæreudstyret og afskærmningen, skal du altid standse motoren inden rengøring. Ellers kan utilsigtet rotation af udstyr muligvis forårsage alvorlige personskader.
- Hold pauser for at forhindre tab af kontrol pga. træthed. Vi anbefaler, at du tager en 10 til 20 minutters pause hver time.



Skæreudstyr

- Brug aldrig andre metalklinger, herunder pivoterende flerstykkede metalkæder og tærseklinger. Ellers kan kontakt med klinger forårsage alvorlige personskader.

Vibration

- Personer med dårligt blodomløb, der udsættes for kraftige vibrationer, risikerer beskadigelse af blodkar eller nervesystemet. Vibrationer kan medføre følgende symptomer i fingre, hænder eller håndled: Leddet "sover" (følelseløshed), prikken, smerte, stikken, ændring af hudfarven eller af huden. Søg læge, hvis nogle af disse symptomer opstår!
- For at reducere risikoen for "hvide fingre" skal du holde dine hænder varme under anvendelsen og vedligeholde maskinen og tilbehøret på ordentlig vis.



Vedligeholdelsesvejledning

- Få din maskine serviceeret af dit autoriserede servicecenter og anvend altid kun originale reservedele. Forkert reparation og dårlig vedligeholdelse kan forkorte maskinens levetid og forøge risikoen for uheld.
- Maskinens tilstand, især beskyttelsesanordningerne for skæreudstyret, skal kontrolleres inden brug.
- Sluk for motoren og fjern tændrørshætten, når du udskifter eller sliber skæreudstyr, samt også når du rengør kniven eller skæreudstyret.
- Vær opmærksom på omgivelserne. Undgå unødvendig aktivering af gashåndtaget for mindre luft- og støjforurening. Foretag korrekt justering af karburatoren.
- Rengør maskinen med jævne mellemrum og kontroller, at alle skruer og møtrikker er strammet ordentligt til.
- Foretag aldrig service eller opbevaring af maskinen i nærheden af åben ild.
- Opbevar altid maskinen på et aflåst sted og med en tom brændstoftank.



Overhold de relevante vejledninger angående ulykkesforebyggelse som udgives af de pågældende brancheforeninger og forsikringsfirmaer. Af sikkerhedshensyn skal man ikke foretage ændringer på maskinen.

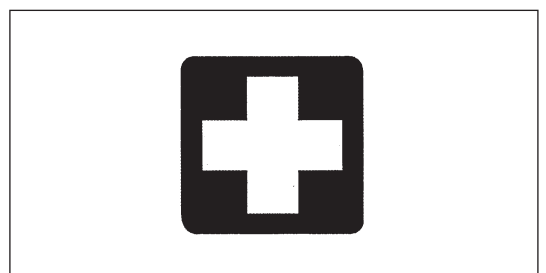
Udførslen af vedligeholdelsesarbejde eller reparationer af brugeren er begrænset til de ting, der er beskrevet i brugsanvisningen. Alt andet arbejde skal udføres af en godkendt serviceagent. Brug kun ægte reservedele og tilbehør som forhandles og leveres af MAKITA. Brug af ikke-godkendt tilbehør og værktøjer kan forøge risikoen for uheld. MAKITA påtager sig intet ansvar for ulykker eller skader, der er opstået på grund af brug af ikke-godkendt skæreudstyr, fastgørelsesmidler til skæreudstyr eller tilbehør.

Førstehjælp

I tilfælde af en ulykke skal du sørge for at have en førstehjælpskasse i nærheden af det sted, hvor du udfører skærearbejde. Erstat straks de ting der benyttes fra førstehjælpskassen.

Oplys venligst følgende hvis du tilkalder hjælp:

- Sted for ulykke
- Hvad der er sket
- Antallet af tilskadede personer
- Hvilke skader det drejer sig om
- Dit navn



TEKNISKE DATA ER2650LH

Model		ER2650LH		
Håndtagstype		Bøjlehåndtag		
Mål: længde x bredde x højde (uden skæreudstyr)	mm	1.621 x 310 x 479		
Skærediameter	mm	412		
Vægt (uden plasticskærm og skæreudstyr)	kg	4,8		
Volumen (brændstoftank)	l	0,6		
Volumen (oliebeholder)	l	0,08		
Motorvolumen	cm ³	25,4		
Maksimal motorydelse	kw	0,77 ved 7.000 min ⁻¹		
Motorhastighed ved anbefalet maksimal spindelhastighed	min ⁻¹	10.000		
Spindelens maksimale omdrejningsfrekvens	min ⁻¹	7.900		
Tomgangshastighed	min ⁻¹	3.000		
Omdrejningstal ved indkobling	min ⁻¹	3.900		
Karburator		Membrantype		
Tænding		Magnettype uden kontakt		
Tændrør	type	NGK CMR4A		
Elektrodeafstand	mm	0,7 - 0,8		
Vibration pr. ISO 22867	Højre håndtag (Bagerste greb)	$a_{hv\ eq}$	m/s ²	8,2
		Usikkerhed K	m/s ²	0,9
	Venstre håndtag (Forreste greb)	$a_{hv\ eq}$	m/s ²	5,0
		Usikkerhed K	m/s ²	1,7
Gennemsnitligt lydtryksniveau iht. ISO 22868	$L_{PA\ eq}$	dBA	97,5	
	Usikkerhed K	dBA	1,8	
Gennemsnitligt lydstyrkeniveau iht. ISO 22868	$L_{WA\ eq}$	dBA	107,3	
	Usikkerhed K	dBA	2,5	
Brændstof		Almindelig benzin		
Motorolie		API grad SF-klasse eller højere, SAE 10W-30-olie (4-takts bilmotorolie)		

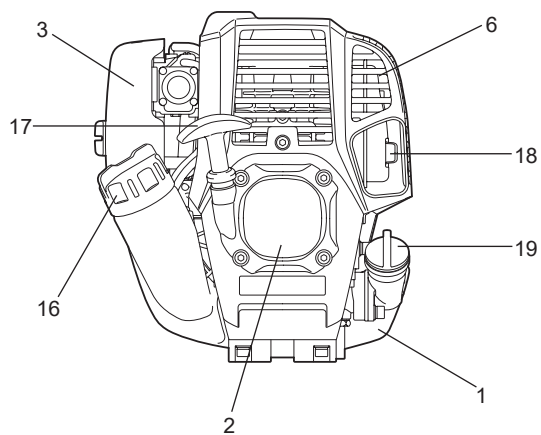
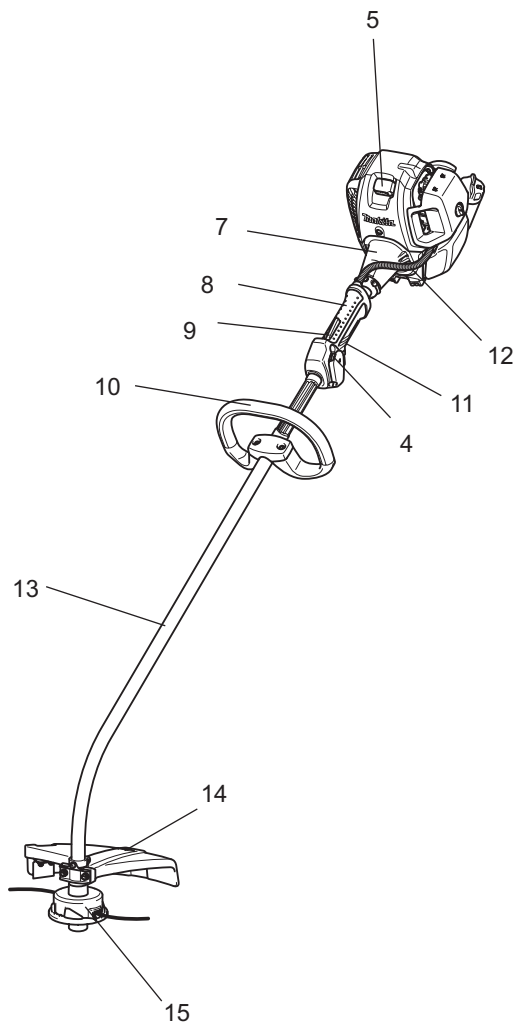
Kun for lande i Europa

EF-overensstemmelseserklæring

EF-overensstemmelseserklæringen er inkluderet som appendiks A til denne betjeningsvejledning.

DELENES BETEGNELSER

ER2650LH



DK	DELENES BETEGNELSER
1	Brændstoftank
2	Startsnor
3	Luffilter
4	I-O kontakt (tænd/sluk)
5	Tændrør
6	Lyddæmper
7	Koblingshus
8	Bagerste greb
9	Lås-fra-mekanisme
10	Håndtag
11	Gashåndtag
12	Styrekabel
13	Skaft
14	Afskærmning (Skærm for skæreudstyr)
15	Nylontrimmerhoved
16	Brændstofdæksel
17	Starthåndtag
18	Udstødningsrør
19	Oljedæksel

MONTERING AF HÅNDTAG

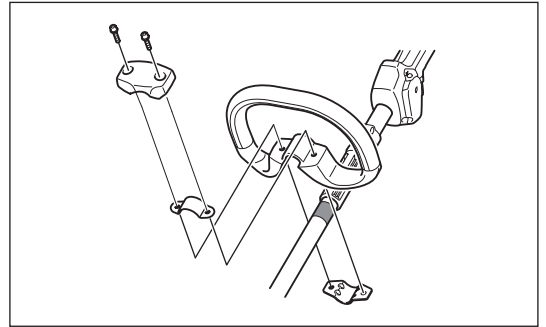
⚠ FORSIGTIG: Inden du udfører arbejde på maskinen, skal du altid stoppe motoren og fjerne tændørshætten fra tændrøret. Bær altid beskyttelseshandsker!

⚠ FORSIGTIG: Start kun maskinen efter den er helt samlet.

Til maskiner med bøjlehåndtag

- Fastgør bøjlehåndtaget på skaftet som vist.
- Sørg for at afstandsstykket på skaftet er placeret mellem grebets montering og det andet greb. Du må hverken fjerne eller formindske afstandsstykket.

BEMÆRK: I visse lande følger afstandsstykket ikke med maskinen. I det tilfælde skal du rette håndtaget ind med den fjerne side af linjen, der angives med pilemærkerne.



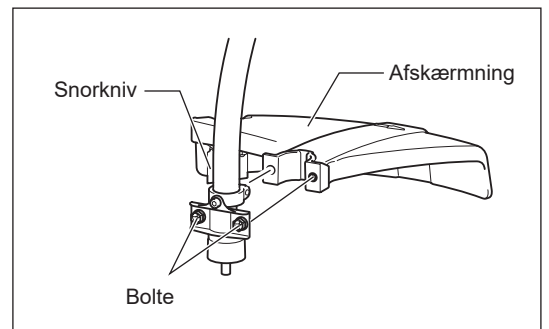
MONTERING AF AFSKÆRMNING

For at leve op til de gældende sikkerhedsbestemmelser må der kun anvendes de kombinationer af værktøj/afskærmning, som er angivet i tabellen.

⚠ FORSIGTIG: Rør ikke ved snorkniven på afskærmningen. Hvis du rører ved snorkniven med bare hænder, kan det medføre tilskadekomst.

Afskærmningen skal installeres for at bevare længden af nylontrimmersnoren og beskytte brugeren mod udkastede sten og afskårne stykker. Installer afskærmningen i henhold til følgende trin.

1. Placer afskærmningen så stiveren på skaftet passer ind i rillen på afskærmningen.
2. Spænd to bolte.



MONTERING AF NYLONTRIMMERHOVED

⚠ ADVARSEL: Anvend aldrig klinger.

Sørg for, at du anvender et ægte MAKITA-nylontrimmerhoved.

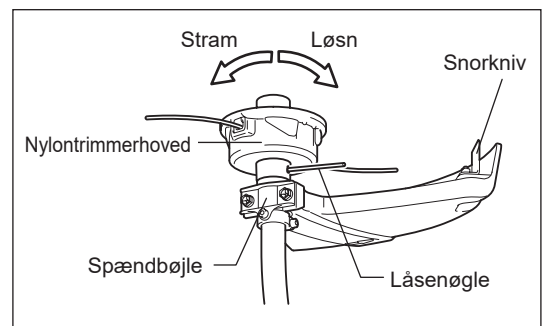
- Hvis nylontrimmerhovedet rammer mod en sten under arbejdet, skal du stoppe motoren og øjeblikkeligt undersøge nylontrimmerhovedet.

⚠ FORSIGTIG: Rør ikke ved snorkniven på afskærmningen. Hvis du rører ved snorkniven med bare hænder, kan det medføre tilskadekomst.

Monter et nylontrimmerhoved i henhold til følgende trin.

1. Sæt låsenøglen ind gennem hullet i spændbøjlen. Roter dem ved at trykke på låsenøglen, indtil de er låst.
2. Skru et nylontrimmerhoved på skaftet ved at dreje det med uret. Sørg for at det ordentligt monteret.
3. Fjern låsenøglen.

For at fjerne nylontrimmerhovedet skal du dreje det mod uret.



INDEN ANVENDELSE

Eftersyn og opfyldning af motorolie

- Udfør den følgende procedure med afkølet motor.
- Hold motoren vandret, fjern oliedækslet (Fig. 1) og kontroller om der er olie i området mellem olierørets mærker for øvre og nedre grænse (Fig. 2).
- Påfyld olie op til mærket for den øvre grænse, hvis der mangler olie (oliestanden er tæt på mærket for den nedre grænse) (Fig. 3).
- Området omkring de udvendige mærker er gennemsigtigt, så den indvendige oliemængde kan kontrolleres, uden at oliedækslet behøves at tages af. Men hvis olierøret bliver meget beskidt, kan det blive svært at se udefra, og oliestanden må kontrolleres vha. det trindelte afsnit inden i olierøret.
- Som reference skal der påfyldes olie hver 10 timer (10 gange eller 10 beholdere med benzin før der behøves oliepåfyldning). Hvis olien skifter farve, eller der kommer snavs i, skal den udskiftes med ny olie. (For udskiftningsinterval og metode, se side 140)

Anbefalet olie: SAE 10W-30 olie under API-klassifikation, klasse SF eller højere (4-takts bilmotor)

Olievolumen: Ca. 0,08 l

BEMÆRK: Hvis motoren ikke holdes i oprejst stilling, kan der ophobes olie i andre dele motoren. Oliestandsmåleren kan give en forkert læsning af oliestanden.

Fyld ikke olie på, hvis motoren ikke er i oprejst stilling. Hvis der påfyldes olie over grænsen, kan olien blive beskidt og eventuelt antændes med afgivelse af hvid røg til følge.

Punkt 1 i Udskiftning af olie: "Oliedæksel"

- Fjern støv og snavs i nærheden af oliepåfyldningsåbningen og fjern oliedækslet.
- Sørg for at holde det aftagne oliedæksel fri for sand og støv. I modsat fald kan sand eller støv, der sidder fast på oliedækslet medføre irregulær olieциrculation eller slid på motordelene, hvilket kan forårsage problemer.

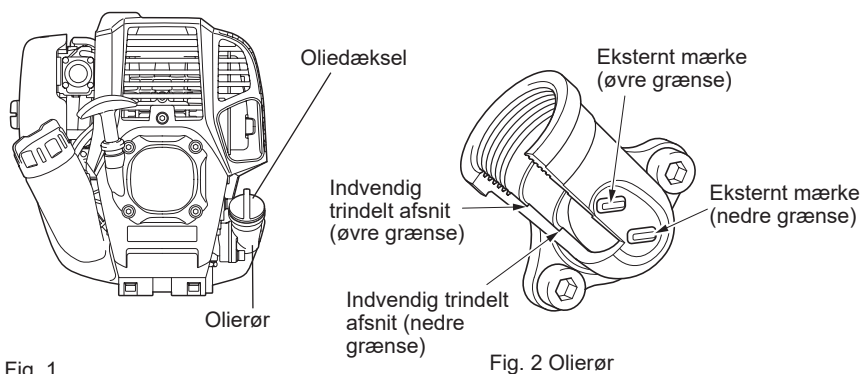


Fig. 1

Fig. 2 Olierør

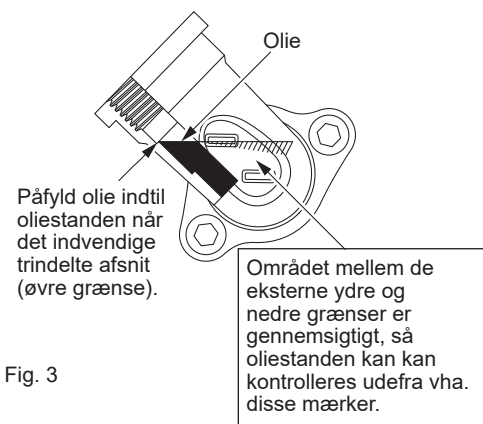
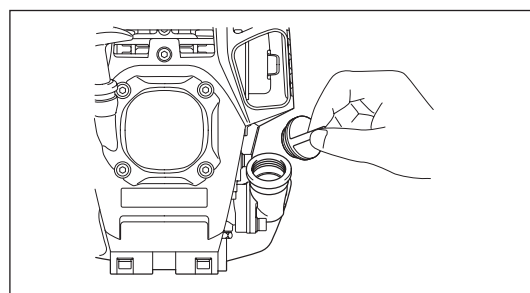
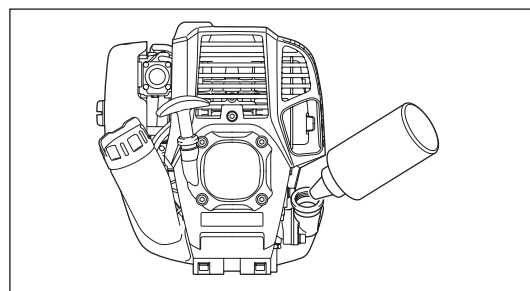


Fig. 3

(1) Hold motoren vandret og fjern oliedækslet.



(2) Påfyld olie op til mærket for den øverste grænse. (se Fig. 3)
Brug en olieflaske ved påfyldning.



(3) Stram oliedækslet ordentligt til. Der kan spildes olie, hvis det ikke strammes ordentligt.

Bemærk

- Skift ikke olie, mens motoren er i en vippet position.
- Påfyldes der olie, mens motoren er vippet, medfører det overopfyldning, hvilket forårsager olieforurening og/eller hvid røg.

Punkt 2 i Udskiftning af olie: "Hvis der spildes olie"

- Hvis der spildes olie mellem brændstoftanken og motoren, suges olien ind gennem luftafkølingsindtaget, hvilket kan forurene motoren. Sørg for at tørre spildt olie af inden start af maskinen.

PÅFYLDNING AF BRÆNDSTOF

Håndtering af brændstof

Det er nødvendigt at håndtere brændstof med stor forsigtighed. Brændstof kan indeholde substanser, der minder om opløsningsmidler. Påfyldning af brændstof skal udføres i et tilstrækkeligt ventileret rum eller i fri luft. Indhaler aldrig brændstofdampe og hold brændstof væk fra dig. Hvis du rører gentagne gange ved brændstof, eller i lang tid, bliver huden tør, og det kan muligvis medføre hudsygdomme eller allergi. Hvis du får brændstof i øjet, skal du rense øjet med rent vand. Hvis det stadig er irriteret, skal du kontakte en læge.

Opbevaringsperiode for brændstof

Brændstof bør opbruges inden for 4 uger, selvom det opbevares i en særlig beholder på et veludluftet sted afskærmet fra solen. Ellers kan brændstoffet nedbrydes på én dag.

OPBEVARING AF MASKINE OG GENOPFYLDNINGSTANK

- Opbevar maskinen og tanken på et køligt sted uden for direkte sollys.
- Opbevar det aldrig i en bil.

Brændstof

Motoren er en firetakts motor. Sørg for, at anvende almindelig blyfri benzin, oktan 87 eller højere ((R+M)/2). Det må ikke indeholde mere end 10 % alkohol (E-10).

Punkter angående brændstof

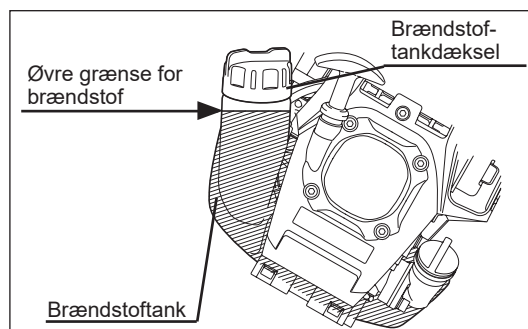
- Brug aldrig en benzinblanding der indeholder motorolie. I modsat fald vil det medføre en for stor kulophobning eller mekaniske problemer.
- Brug af gammel olie medfører startproblemer.

Påfyldning af brændstof

⚠ ADVARSEL: Sluk for motoren inden påfyldning af brændstof, hold maskinen væk fra åben ild, samt undlad ryge.

Anvendt benzin: Almindelig blyfri benzin, oktan 87 eller højere. Ikke mere end 10 % alkohol (E-10).

- Løsn tankdækslet en lille smule for at udligne trykket i tanken.
 - Tag tankdækslet af, påfyld brændstof og luk luften ud ved at tippe brændstoftanken sådan at brændstofåbningen vender opad. Fyld IKKE brændstof op til kanten af tanken.
 - Tør ydersiden af tankdækslet af for at forhindre snavs i at trænge ind i brændstoftanken.
 - Efter påfyldning af brændstof strammes tankdækslet ordentligt til.
- Hvis der er revner eller skader på tankdækslet, skal det udskiftes.
 - Tankdækslet slides med tiden. Udskift det hvert andet eller tredje år.
 - Fyld IKKE brændstof i oliepåfyldningsåbningen.



PUNKTER VEDRØRENDE BETJENING OG STOPPROCEDURE

Overhold de gældende bestemmelser for ulykkesforebyggelse!

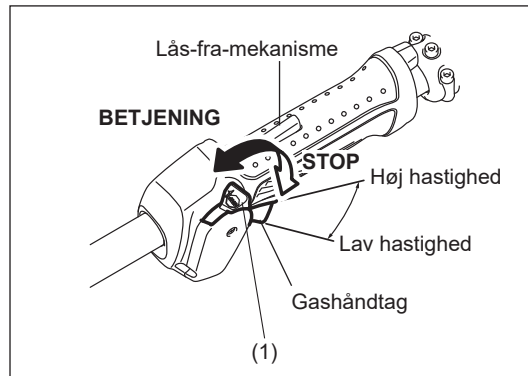


START

Gå mindst 3 m væk fra stedet for brændstofpåfyldningen. Placer enheden på jorden mens du passer på, at skæreudstyret ikke kommer i kontakt med jorden eller andre genstande.

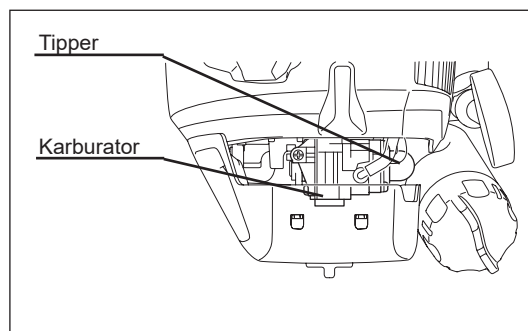
A: Koldstart

- 1) Placer maskinen på et plant område.
- 2) Sæt I-O kontakten (1) på BETJENING.



- 3) Tipper

Fortsæt med at trykke på tipperen indtil der kommer brændstof ind i tipperen. (Normalt kommer der brændstof ind i tipperen efter 7 til 10 tryk.) Hvis der trykkes for meget på tipperen, vender det overskydende brændstof tilbage til brændstoftanken.



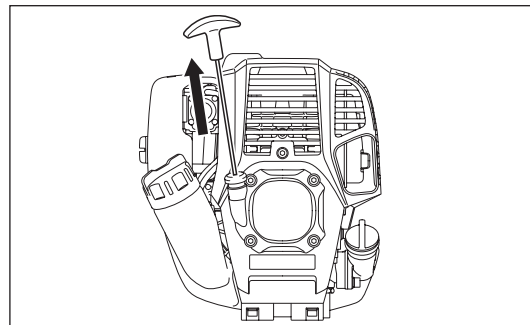
- 4) Rekylstarter

Træk forsigtigt i starthåndtaget indtil det bliver hårdt at trække i (kompressionspunktet). Før derefter starthåndtaget tilbage, og træk hårdt i det.

Træk aldrig snoren helt ud. Når først starthåndtaget er trukket, må du aldrig slippe med det samme. Hold i starthåndtaget indtil det vender tilbage til den oprindelige position.

- 5) Opvarmning

Fortsæt opvarmning i 2 til 3 minutter.



BEMÆRK: Hvis der er opstået et for stort brændstofindtag (oversvømmelse), skal du fjerne tændrøret og trække langsomt i starthåndtaget for at fjerne det overskydende brændstof. Tør også tændrørets elektrodedel af.

B: Opstart efter opvarmning

- 1) Tryk gentagne gange på tipperen.
- 2) Hold gashåndtaget på tomgangspositionen.
- 3) Træk hårdt i rekylstarteren.
- 4) Hvis det er svært at starte motoren, skal du åbne gashåndtaget med cirka en 1/3.

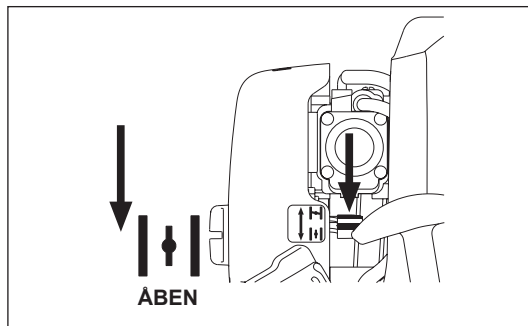
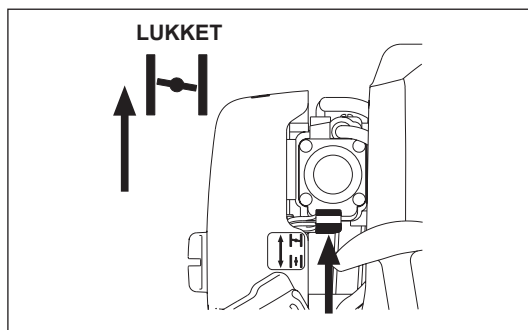
Når det er vanskeligt at starte motoren som f.eks. om vinteren

Betjen chokerhåndtaget vha. den følgende procedure, når motoren startes.

- Efter udførelse af starttrinene 1) til 3) skal du indstille chokerhåndtaget på LUKKET-positionen.
- Udfør starttrin 4) og start motoren.
- Når først motoren starter, indstilles chokerhåndtaget på ÅBEN-positionen.
- Udfør starttrin 5) og gennemfør opvarmningen.

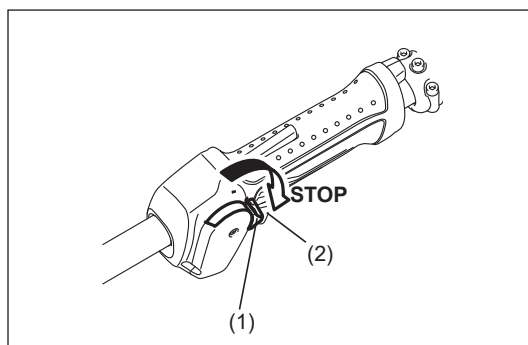
⚠ FORSIGTIG: Hvis der høres et knald (eksploderende lyd), og motoren stopper, eller den netop startede motor går i stå, inden chokerhåndtaget betjenes, sættes chokerhåndtaget tilbage på ÅBEN-positionen, hvorefter du skal trække et par gange i starthåndtaget igen for at starte motoren.

⚠ FORSIGTIG: Hvis chokerhåndtaget lades være i LUKKET-positionen, og der blot trækkes gentagne gange i starthåndtaget, suges der for meget brændstof ind, og det bliver svært at starte motoren.



STOPPROCEDURE

- 1) Slip gashåndtaget (2) helt, og når motorens omdrejninger er faldet, skal du skubbe I-O kontakten over på STOP for at standse motoren.
- 2) Vær opmærksom på at skærehovedet muligvis ikke stopper øjeblikkeligt, og giv det tid til at bremse helt ned.

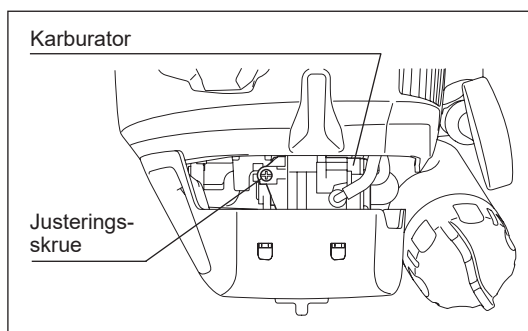


JUSTERING AF OMDREJNINGER VED LAV HASTIGHED (TOMGANG)

Når det er nødvendigt at justere omdrejningerne ved lav hastighed (tomgang), skal du justere på karburatorens justerings skrue.

KONTROL AF OMDREJNINGER VED LAV HASTIGHED

- Indstil omdrejningerne ved lav hastighed til 3.000 min⁻¹. Hvis det er nødvendigt at ændre omdrejningerne ved lav hastighed (tomgang), skal du anvende en phillips-skruetrækker til skruen illustreret til højre.
- Drej justeringsskruen til højre for at forøge motoromdrejningerne. Drej justeringsskruen til venstre for at sænke motoromdrejningerne.
- Karburatoren justeres almindeligvis inden afsendelse. Efter adskillige tanke benzin er det muligvis nødvendigt at justere omdrejningerne.



NYLONTRIMMERHOVEDET

Under anvendelsen skal du bruge spidsen af nylontrimmersnoren til at skære med.

Fremføring af nylontrimmersnoren

Efterhånden som nylontrimmersnoren slides og forkortes under arbejdet, er brugeren nødt til at fremføre den manuelt.

For at fremføre nylontrimmersnoren skal du banke nylontrimmerhovedet ned i jorden, mens det roterer rundt 6.000 min⁻¹.

BEMÆRK: Hvis nylontrimmersnoren ikke fremføres, skal den spoles tilbage.



Udskiftning af nylonsnor

⚠ ADVARSEL: Sørg for, at nylontrimmerhovedets dæksel er ordentligt fastgjort til huset som beskrevet nedenfor. Fastgøres dækslet ikke ordentligt, kan det medføre, at nylontrimmerhovedet flyver af med alvorlige personskader til følge.

Tryk ind på klemmekanismerne på huset og løft op for at fjerne dækslet. Smid den resterende nylonsnor ud.

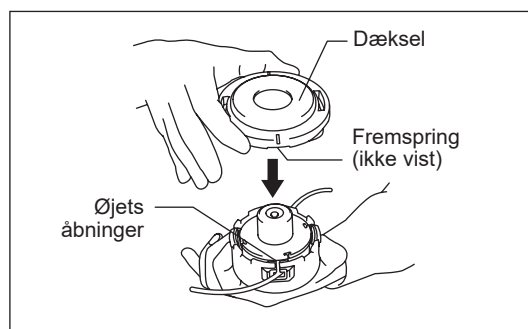
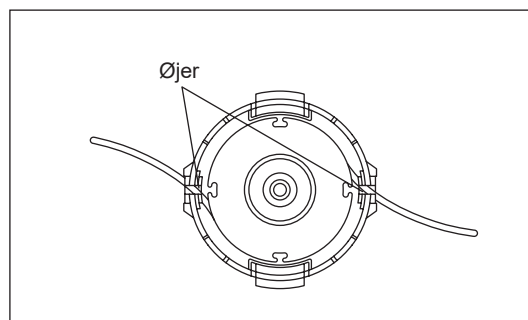
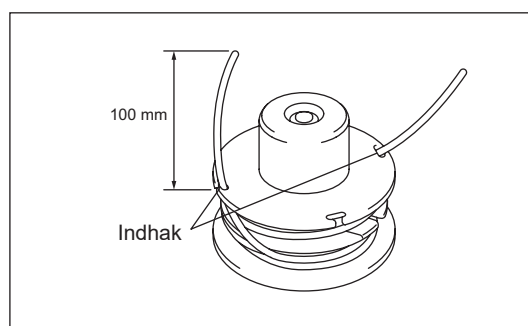
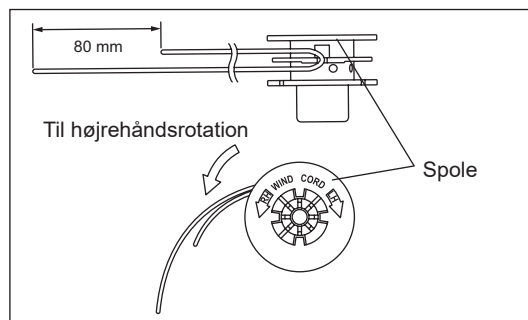
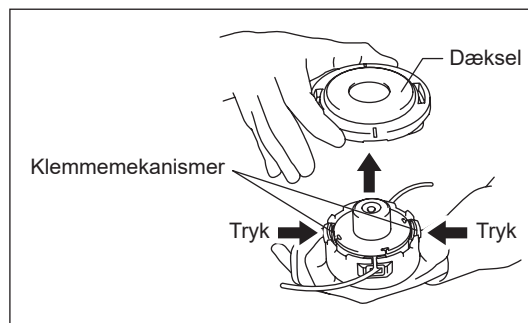
Hægt midten af den nye nylonsnor på indhakkets i midten af spolen mellem de 2 kanaler til nylonsnoren. Den ene side af snoren bør være cirka 80 mm længere end den anden side.

Vikl begge ender tæt omkring spolen i den retning på hovedet som er markeret for højrehåndsrotation, angivet med RH.

Vikl snorene helt op på nær cirka 100 mm, og lad midlertidigt enderne være hæftet gennem indhakkets på siden af spolen.

Monter spolen i huset sådan at rillerne og fremspringene på spolen matcher dem i huset. Hægt derefter enderne på snoren af fra deres midlertidige placering og før snorene gennem øjerne, sådan at de kommer ud af huset.

Ret fremspringet på undersiden af dækslet ind med øjernes åbninger. Tryk derefter dækslet ordentligt ind på huset, sådan at det sidder fast. Sørg for, at klemmekanismerne hæfter dækslet ordentligt fast.



VEDLIGEHOVELSESINSTRUKTIONER

- ⚠ FORSIGTIG:** Inden du udfører noget arbejde på maskinen, skal du altid stoppe motoren og fjerne tændrørshætten fra tændrøret (se "kontrol af tændrøret").
Bær altid beskyttelseshandsker!

Udfør følgende vedligeholdelse med jævne mellemrum for at sikre en lang brugslevetid og for at undgå skader på maskinen.

Dagligt eftersyn og vedligeholdelse

- Kontroller inden brug maskinen for løse skrue eller manglende dele. Vær især opmærksom på spændingen af nylon snoren.
- Inden anvendelse, kontroller altid for tilstopning af luftafkølingskanalen og cylinderrubberne. Rengør dem om nødvendigt.
- Udfør dagligt følgende vedligeholdelse efter brug:
 - Rengør maskinen udvendigt og undersøg for skader.
 - Rens luftfilteret. Rens filteret flere gange om dagen, når du arbejder i ekstremt støvede omgivelser.
 - Kontroller nylontrimmerhovedet for skader og sørg for, at det er ordentligt monteret.
 - Kontroller, om der er tilstrækkelig forskel mellem tomgang- og arbejdshastigheder for at sikre, at skæredstyret ikke bevæger sig, når motoren er i tomgang (hvis det er nødvendigt, skal du reducere tomgangshastigheden). Hvis værktøjet stadig kører under tomgang, skal du konsultere den nærmeste godkendte serviceagent.
- Kontroller funktionen af I-O kontakten, lås-fra-mekanismen, gashåndtaget og låseknappen.

UDSKIFTNING AF MOTOROLIE

Gammel motorolie vil forkorte motorens levetid. Sørg for at kontrollere olie og niveau regelmæssigt.



BEMÆRK: Generelt er motoren og motorolie stadig meget varm lige efter, at motoren er stoppet. Ved udskiftning af olien skal du sørge for, at motoren og motorolie er tilstrækkeligt afkølet. Ellers er der risiko for forbrænding.

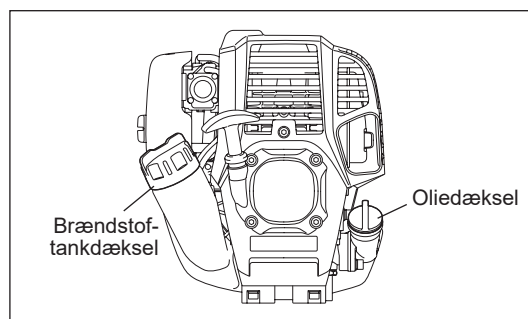
BEMÆRK: Hvis der påfyldes olie over grænsen, kan olien blive beskidt og eventuelt antændes med afgivelse af hvid røg til følge.

Udskiftningsinterval: Først efter 20 driftstimer, efterfulgt af hver 50 driftstimer.

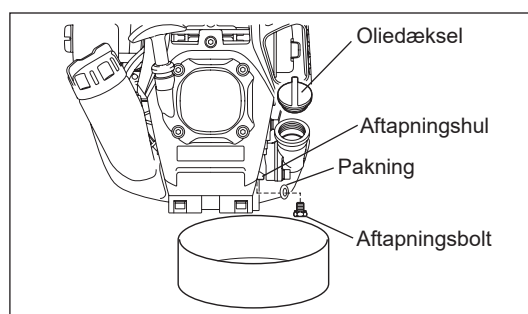
Anbefalet olie: SAE 10W-30 olie under API-klassifikation, klasse SF eller højere (4-takts bilmotor)

For udskiftning, udfør følgende procedure.

- 1) Kontrollér, at brændstoftankdækslet er strammet ordentligt til.
- 2) Placer en stor beholder (skål e.l.) under aftapningshullet.

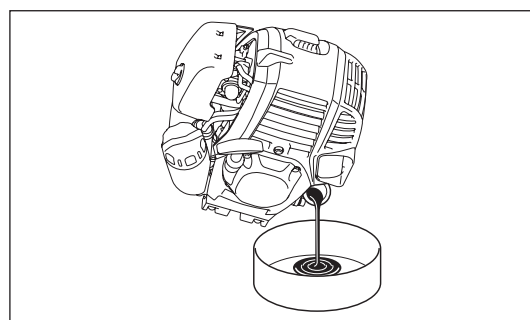


- 3) Fjern aftapningsbolten og fjern derefter oliedækslet for at tappe olien ud af aftapningshullet. Du skal passe på ikke at miste pakningen til aftapningsbolten, og sørge for at de aftagne komponenter ikke bliver beskidte.
- 4) Når først al olien er blevet tappet af, skal du montere pakningen og aftapningsbolten, og stramme aftapningsbolten ordentligt til, så den ikke løsner sig og forårsager lækager.
* Brug en klud til tørre al eventuel olie af bolt og maskine.

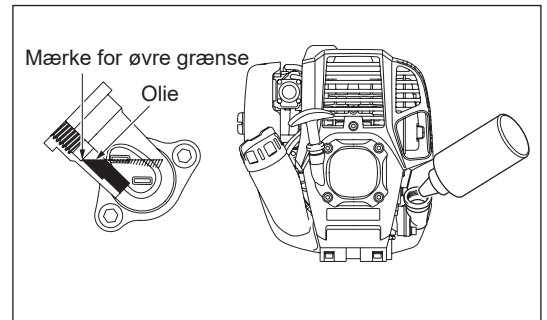
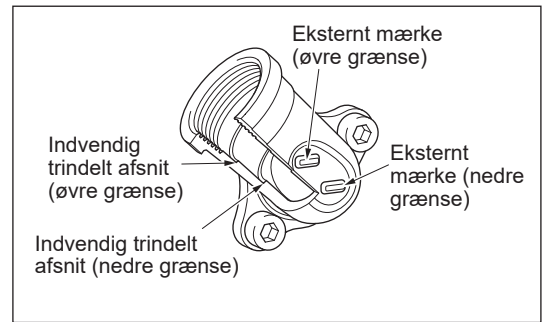


Alternativ aftapningsmetode

Fjern oliedækslet, vip maskinen mod oliepåfyldningshullet og tap olien af. Opsaml olien i en beholder.



- 5) Hold motoren vandret og påfyld gradvist ny olie op til mærket for den øvre grænse.
- 6) Efter påfyldning skrues oliedækslet ordentligt fast, så det ikke løsner sig og forårsager lækager.
Hvis oliedækslet ikke skrues ordentligt på, kan olien lække ud.



PUNKTER VEDRØRENDE OLIE

- Smid aldrig skiftet motorolie ud sammen med almindeligt affald, på jorden eller i kloakken. Bortskaffelse af olie er reguleret via loven. De relevante love og bestemmelser skal altid følges ved bortskaffelse af olie. Kontakt en godkendt serviceagent ved tvivlspørgsmål.
- Olien nedbrydes, selvom den ikke bruges. Udfør eftersyn og udskiftning med jævne intervaller (udskift med ny olie hver 6. måned).

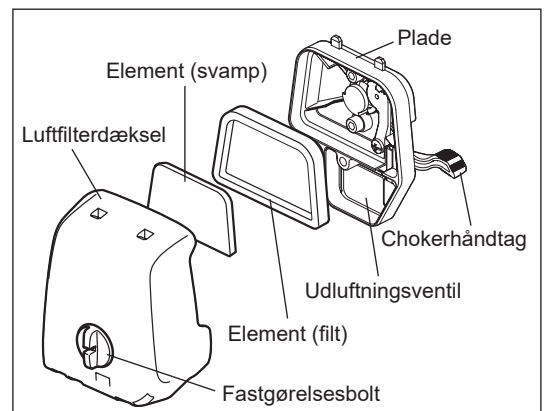
RENGØRING AF LUFTFILTER



ADVARSEL: Sluk for motoren, hold maskinen væk fra åben ild, samt undlad ryge.

Interval for rengøring og eftersyn: Dagligt (hver 10. driftstime)

- Drej chokerhåndtaget helt over til den lukkede side og hold karburatoren fri fra støv og snavs.
- Løsn fastgørelsesbolten.
- Tag luftfilterdækslet af ved at trække i dets underside.
- Tag elementerne af og bank dem let for at fjerne snavs.
- Hvis elementerne er meget beskidte:
Tag elementerne af, dyp dem ned i varmt vand eller et neutralt rengøringsmiddel fortyndet med vand, og tør dem fuldstændigt. Undgå at klemme eller gnide dem under vask.
- Sørg for, at elementerne er helt tørre, inden du sætter dem på igen.
Utilstrækkelig tørring af elementerne kan gøre det svært at starte.
- Tør derefter olie, der sidder omkring luftfilterdækslet og udluftningsventilen af med en klud.
- Pas elementet (svampen) ind i elementet (filt).
Pas elementerne ind i pladen så svampen peger mod luftfilterdækslet.
- Monter straks luftfilterdækslet og spænd det fast med fastgørelsesbolte. (Ved genmonteringen placeres den øvre tap først og derefter den nedre tap.)



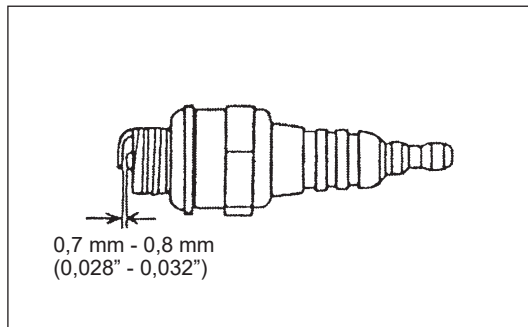
BEMÆRK:

- Rengør elementerne flere gange om dagen, hvis der sætter sig meget støv i det. Beskidte elementer reducerer motorkraften, og gør det sværere at starte motoren.
- Fjern olie på elementerne. Hvis maskinen fortsat anvendes, uden at elementerne rengøres for olie, kan olien i luftfilteret muligvis falde ud og resultere i forurening af miljøet.
- Placer ikke elementerne på jorden eller på et beskidt sted. Ellers kan de opsamle støv eller snavs, hvilket kan beskadige motoren.
- Brug aldrig brændstof til rengøring af elementerne. Brændstof kan beskadige dem.

KONTROL AF TÆNDRØRET

- Anvend kun den medfølgende skiftenøgle til at afmontere og montere tændrøret med.
- Afstanden mellem tændrørets to elektroder bør være på 0,7 - 0,8 mm (0,028" - 0,032"). Hvis afstanden er for stor eller for lille, skal du justere den. Hvis tændrøret er sodet til eller beskidt, skal du rense det ordentligt og eller udskifte det.

⚠ FORSIGTIG: Rør aldrig ved tændrørshætten, mens motoren kører (der er risiko for elektrisk stød med høj spænding).



RENGØRING AF BRÆNDSTOFFILTER

⚠ ADVARSEL: LETANTÆNDELIGE STOFFER ER STRENGT FORBUDT

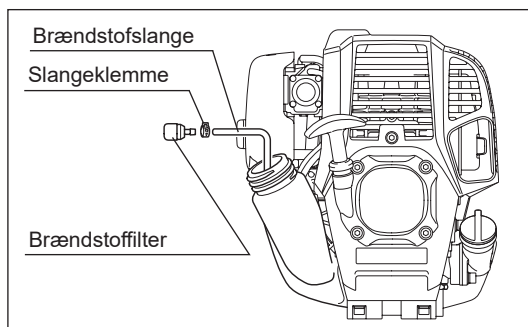
Interval for rengøring og eftersyn: Hver måned (hver 50. driftstime)

Sugehoved i brændstoftanken

Kontroller jævnligt brændstoffilteret. For at kontrollere brændstoffilteret skal du følge trinene nedenfor.

- (1) Tag tankdækslet af og tøm tanken for brændstof. Kontroller tanken indvendigt for fremmedlegemer. Fjern dem, hvis der er nogen.
- (2) Brug en trådkrog til at trække sugehovedet ud gennem tankåbningen.
- (3) Hvis brændstoffilteret er lettere tilstoppet, skal det rengøres. Rengør det ved at ryste det forsigtigt og banke det let i brændstof. For at undgå beskadigelse skal du ikke klemme eller gnide det. Det brændstof, der anvendes til rengøring, skal bortskaffes i henhold til den metode, som er anført i bestemmelserne for dit land. Hvis brændstoffilteret bliver hårdt eller meget tilstoppet, skal det udskiftes.
- (4) Efter kontrol, rengøring eller udskiftning skal du trykke brændstoffilteret helt ned i bunden af brændstoftanken.

Et tilstoppet eller beskadiget brændstoffilter kan medføre utilstrækkelig brændstofforsyning og reducere motorkraften. Udskift brændstoffilteret mindst én gang i kvartalet for at sikre tilfredsstillende brændstofførelse til karburatoren.



UDSKIFTNING AF BRÆNDSTOFSLANGE

⚠ FORSIGTIG: LETANTÆNDELIGE STOFFER ER STRENGT FORBUDT

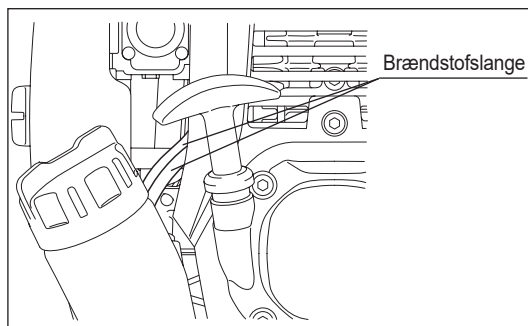
Interval for rengøring og eftersyn: Dagligt (hver 10. driftstime)

Udskiftning: Årligt (hver 200. driftstime)

Udskift brændstofslangen hvert år uanset antallet af driftstimer.

Brændstoflækage kan føre til brand.

Hvis der opdages utætheder under inspektion, skal brændstofslangen straks udskiftes.



EFTERSYN AF BOLTE, MØTRIKKER OG SKRUER

- Efterspænd løse bolte, møtrikker osv.
- Kontroller, at brændstofdækslet og oliedækslet er strammet ordentligt til. Kontroller for brændstof- og olielækage.
- Udskift beskadigede dele med nye for sikker betjening.

RENGØRING AF DELE

- Hold altid motoren ren.
- Hold altid cylinderribberne og luftindtaget fri for støv og snavs. Støv eller snavs, der sidder fast på ribberne, kan forårsage stempelstop.

UDSKIFTNING AF TÆTNINGER OG PAKNINGER

Når motoren samles igen, skal du sørge for at udskifte tætningerne og pakningerne med nye.

Alt vedligeholdelses- eller justeringsarbejde, der ikke er inkluderet og beskrevet i denne brugsanvisning, må kun udføres af autoriserede serviceagenter.

OPBEVARING



ADVARSEL: Når maskinen skal tømmes for brændstof, skal du sørge for at stoppe motoren og sikre dig, at motoren er kølet af.
Når motoren lige er stoppet, er den stadig varm, og der er risiko for forbrændinger, antændelighed og brand.



BEMÆRK: Når maskinen ikke skal anvendes i længere tid, skal du tømme al brændstoffet ud af tanken og karburatoren, og opbevare den på et tørt og rent sted.

- Tøm brændstoftanken og karburatoren for brændstof i henhold til den følgende procedure:
 - 1) Tag tankdækslet af og tøm alt brændstoffet ud.
Hvis der er fremmedlegemer/snavs tilbage i brændstoftanken, skal det fjernes fuldstændigt.
 - 2) Træk brændstoffilteret ud gennem påfyldningsåbningen med en metaltråd.
 - 3) Tryk på tipperen indtil brændstoffet er tømt ud fra den, og udtøm derefter det brændstof der kom ind brændstoftanken.
 - 4) Placer filteret tilbage i brændstoftanken og stram brændstoftankdækslet ordentligt til.
 - 5) Lad derefter motoren køre indtil den stopper.
- Fjern tændrøret og dryp adskillige dråber motorolie ned gennem tændrørshullet.
- Træk forsigtigt i starthåndtaget så motorolien spredes ud i motoren, og sæt tændrøret på.
- Maskinen bør generelt opbevares i vandret position, og hvis det ikke er muligt, så skal maskinen placeres, så motoren er under skæreværktøjet. Ellers kan der lække motorolie indefra. Vær meget opmærksom på opbevaringen af maskinen så den ikke vælter. Ellers kan det muligvis medføre personskader.
- Opbevar det udtømte brændstof i særlig beholder på et sted i skygge med god ventilation.

Bemærk efter lang tids opbevaring

- Inden start efter lang tids opbevaring skal du sørge for at udskifte olien (se S 140). Olien nedbrydes, mens maskinen ikke anvendes.

Lokalisering af fejl

Fejl	System	Observation	Årsag
Motoren starter ikke, eller har svært ved det	Tænding	Tændingsgnist OK	Fejl i brændstofføforslen eller kompressionssystemet, mekanisk fejl
		Ingen tændingsgnist	Betjening af STOP-kontakten, fejl i ledningsnettet eller kortslutning, tændrør eller tændrørshætte defekt, fejl i tændmodul
	Brændstofføforsel	Brændstoftank fuld	Forkert chokerposition, karburator defekt, brændstofslange bøjet eller blokeret, brændstof beskidt
	Kompression	Ingen kompression ved træk	Cylinderbundpakning defekt, beskadigede krumtapakselpakninger, cylinder eller stempelringe beskadigede eller tændrørspakning ikke tæt
Problemer ved varmstart Motor starter, men dør	Mekanisk fejl	Starter griber ikke fat	Starterfjederen er i stykker, dele inde i motoren er i stykker
	Brændstofføforsel	Fuld tank, med tændgnist Brændstof i tanken	Snævset karburator, få den rensat Forkert tomgangsjustering, karburator snævset Tankudluftningsventil defekt, brændstofslangen afbrudt, kabel eller STOP-kontakt defekt
Manglende ydeevne	Flere systemer kan være samtidigt påvirkede	Dårlig motortomgang	Luftfilter snævset, karburator snævset, lyddæmper tilstoppet, udstødningskanal i cylinderen tilstoppet

Del \ Driftstid		Inden brug	Efter smøring	Dagligt (10 t)	30 t	50 t	200 t	Sluk/pause	Se side
Motorolie	Efterse/rengør	○							135
	Udskift					○*1			140
Fastgørende dele (bolte, møtrikker)	Efterse	○							142
Brændstoftank	Rengør/efterse	○							—
	Tøm for brændstof							○*3	143
Gashåndtag	Kontroller funktion		○						—
Stop-kontakt	Kontroller funktion		○						138
Skæreudstyr	Efterse	○		○					134
Omdrejninger ved lav hastighed	Efterse/juster			○					138
Luftfilter	Rengør			○					141
Tændrør	Efterse			○					142
Køleluftindtag	Rengør/efterse			○					142
Brændstofslange	Efterse			○					142
	Udskift						◎*2		—
Brændstoffilter	Rengør/udskift					○			142
Afstand mellem luftindtagsventilen og luftudledningsventilen	Juster						◎*2		—
Motoreftersyn							◎*2		—
Karburator	Tøm for brændstof							○*3	143

*1 Foretag udskiftning første gang efter 20 timers drift.

*2 Bed en autoriseret serviceagent eller et maskinværksted om at foretage eftersyn ved 200 driftstimer.

*3 Efter tømning af brændstoftanken skal du lade motoren fortsætte med at køre og udtømme brændstoffet i karburatoren.

FEJLFINDING

Kontroller selv for fejl, inden du anmoder om reparation. Hvis du finder noget unormalt, skal du kontrollere maskinen i henhold til beskrivelsen i denne brugsanvisning. Undlad at pille ved eller afmontere dele i strid med beskrivelsen. Kontakt en godkendt serviceagent eller lokal forhandler.

Problem	Sandsynlig årsag (funktionsfejl)	Afhjælpning
Motoren starter ikke	Tipperen er ikke blevet anvendt	Tryk 7 til 10 gange
	Langsom træk hastighed ved træk i startersnoren	Træk hårdt til
	Mangel på brændstof	Påfyld brændstof
	Tilstoppet brændstoffilter	Rengør
	Knækket brændstofslange	Ret brændstofslangen ud
	Gammelt brændstof	Gammelt brændstof gør det svært at starte. Udskift med nyt brændstof. (Anbefalet udskiftning: 1 måned)
	Aftaget tændrørshætte	Sæt den ordentligt på
	Snavset tændrør	Rengør
	Unormal tændrørsafstand	Juster afstanden
	Andre problemer med tændrør	Udskift
	Unormal karburator	Anmod om eftersyn og vedligeholdelse.
	Startersnor kan ikke trækkes ud	Anmod om eftersyn og vedligeholdelse.
	Unormalt drivsystem	Anmod om eftersyn og vedligeholdelse.
Motoren stopper hurtigt Motorhastigheden stiger ikke	Utilstrækkelig opvarmning	Foretag opvarmning
	Chokerhåndtaget er sat på "LUKKET"-positionen, selvom motoren er varmet op.	Sæt den til "ÅBEN"
	Tilstoppet brændstoffilter	Rengør eller udskift
	Snavset og tilstoppet luftfilter	Rengør
	Unormal karburator	Anmod om eftersyn og vedligeholdelse.
	Unormalt drivsystem	Anmod om eftersyn og vedligeholdelse.
Skæreudstyret roterer ikke. ↓ Stop straks motoren	Skæreudstyret er ikke strammet ordentligt.	Stram skæreudstyret ordentligt.
	Der sidder en gren fast mellem skæreudstyret og afskærmningen.	Fjern fremmedlegemerne.
	Drivsystemet fungerer ikke ordentligt.	Bed et autoriseret Makita-servicecenter om at efterse og reparere det.
Enheden vibrerer unormalt. ↓ Stop straks motoren	Skæreudstyret er i stykker.	Udskift skæreudstyret med et nyt.
	Skæreudstyret er ikke strammet ordentligt.	Stram skæreudstyret ordentligt.
	Den ene ende af nylontrimmersnoren er knækket, og nylontrimmerhovedet er blevet ubalanceret.	Fremfør nylontrimmersnoren ved at banke nylontrimmerhovedet ned i jorden.
	Drivsystemet fungerer ikke ordentligt.	Bed et autoriseret Makita-servicecenter om at efterse og reparere det.
Skæreudstyret stopper ikke. ↓ Stop straks motoren	Drivenheden fungerer ikke ordentligt.	Se i brugsanvisningen til drivenheden.
Motoren stopper ikke ↓ Kør motoren i tomgang og sæt chokerhåndtaget til LUKKET	Løsrevet kontakt	Sæt den ordentligt på
	Unormalt el-system	Anmod om eftersyn og vedligeholdelse.
Nylontrimmersnoren fremføres ikke.	Snoren er opbrugt eller snoet i spolen.	Spol snoren tilbage.
	Snorkniven på afskærmningen er beskadiget eller mangler.	Bed et autoriseret Makita-servicecenter om at udskifte snorkniven.
	Snoren går længere ud end afskærmningen.	Spol snoren tilbage.

Når motoren ikke starter efter foretagelse af opvarmning:

Hvis der ikke er fundet noget unormalt blandt de kontrollerede punkter, skal du åbne gashåndtaget cirka 1/3 og starte motoren.

Σας ευχαριστούμε πολύ που αγοράσατε αυτή τη μηχανοκίνητη συσκευή εξωτερικού χώρου της MAKITA. Βρισκόμαστε στην ευχάριστη θέση να σας συστήσουμε αυτό το προϊόν της MAKITA, το οποίο είναι το αποτέλεσμα ενός μακρού προγράμματος ανάπτυξης και πολλών χρόνων γνώσεων και εμπειρίας. Παρακαλώ διαβάστε αυτό το φυλλάδιο το οποίο αναφέρεται λεπτομερώς στα διάφορα σημεία που θα επιδείξουν την εξαιρετική του απόδοση. Αυτό θα σας βοηθήσει να αποκτήσετε τα καλύτερα δυνατά αποτελέσματα από αυτό το προϊόν της MAKITA.



Πίνακας περιεχομένων

Σελίδα

Σύμβολα	146
Οδηγίες ασφαλείας	147
Τεχνικά στοιχεία	150
Καθορισμός εξαρτημάτων	151
Στερέωση του χερουλιού	152
Στερέωση του προφυλακτήρα	152
Στερέωση της νάιλον κεφαλής κοπής	152
Πριν από το ξεκίνημα της λειτουργίας	153
Σημειώσεις για το χειρισμό και πως να γίνει το σταμάτημα	155
Η νάιλον κεφαλή κοπής	156
Οδηγίες σέρβις	158
Αποθήκευση	161

ΣΥΜΒΟΛΑ

Χρειάζεται να προσέξετε τα παρακάτω σύμβολα όταν διαβάσετε το εγχειρίδιο οδηγιών.

	Διαβάστε το εγχειρίδιο οδηγιών και ακολουθήστε τις προειδοποιήσεις και τα μέτρα ασφαλείας!		Να φοράτε προστατευτικό κράνος και προστατευτικά ματιών και αυτιών.
	Δώστε ιδιαίτερη φροντίδα και προσοχή!		Ανώτερη επιτρεπτή ταχύτητα του εργαλείου max 10000min ⁻¹
	Απαγορεύεται!		Καύσιμο (Βενζίνη)
	Διατηρήστε μια απόσταση!		Κινητήρας-χειροκίνητη εκκίνηση
	Κίνδυνος εκτίναξης αντικειμένων!		Διακοπή έκτακτης ανάγκης
	Απαγορεύεται το κάπνισμα!		Πρώτες βοήθειες
	Όχι γυμνές φλόγες!		ΕΝΕΡΓΟΠΟΙΗΣΗ/ΕΚΚΙΝΗΣΗ
	Πρέπει να φοριούνται προστατευτικά γάντια!		ΑΠΕΝΕΡΓΟΠΟΙΗΣΗ/ΣΤΑΜΑΤΗΜΑ
	Φοράτε ανθεκτικές μπότες με αντιολισθητικές σόλες. Συνιστανται μπότες ασφαλείας με ενίσχυση στα άκρα των δακτύλων!		Ποτέ μην χρησιμοποιήσετε μεταλλικές λάμες.
	Κρατήστε μακριά από την περιοχή εργασίας όλα τα άτομα και τα ζώα!		

Γενικές οδηγίες

- Διαβάστε αυτό το εγχειρίδιο οδηγιών για να εξοικειωθείτε με τον χειρισμό της συσκευής. Οι χρήστες οι οποίοι δεν διαθέτουν επαρκή ενημέρωση θα θέσουν σε κίνδυνο τους εαυτούς τους και τους άλλους λόγω του ακατάλληλου χειρισμού.
- Συνιστάται να δανείζετε τη συσκευή μόνο στα άτομα που έχουν αποδεδειγμένη εμπειρία στο χειρισμό της. Πάντοτε να παραδίδεται το εγχειρίδιο οδηγιών.
- Οι χρήστες που το χρησιμοποιούν για πρώτη φορά θα πρέπει να ζητούν από τον μεταπωλητή τις βασικές οδηγίες για να εξοικειωθούν με το χειρισμό των χλοοκοπτικών.
- Στα παιδιά και στα νεαρά άτομα κάτω των 18 ετών δεν θα πρέπει να τους επιτρέπεται η χρήση της συσκευής. Τα άτομα με ηλικία πάνω από 16 ετών θα μπορούσαν να χρησιμοποιήσουν την συσκευή για εκπαιδευτικούς σκοπούς, κάτω από την επίβλεψη ενός έμπειρου εκπαιδευτή.
- Χρησιμοποιήστε με τη μεγαλύτερη δυνατή φροντίδα και προσοχή.
- Χειριστείτε μόνο όταν βρίσκεστε σε καλή φυσική κατάσταση. Εκτελέστε όλες τις εργασίες με ηρεμία και προσοχή. Ο χρήστης θεωρείται υπεύθυνος για τους άλλους.
- Ποτέ να μην χρησιμοποιήσετε αυτή τη συσκευή μετά από την κατανάλωση αλκοόλ ή φαρμάκων, ή εάν αισθάνεστε κουρασμένοι ή είστε ασθενείς.
- Η εθνική νομοθεσία μπορεί να περιορίζει τη χρήση του μηχανήματος.

Προοριζόμενη χρήση του μηχανήματος

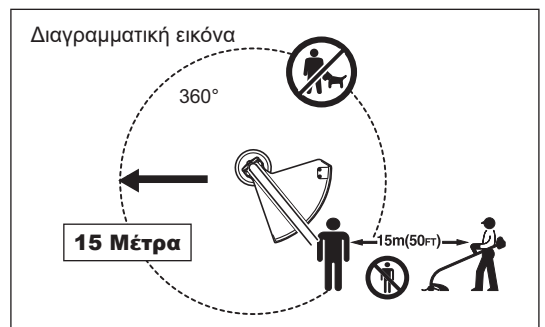
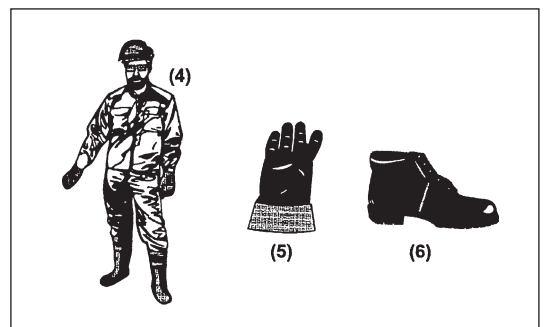
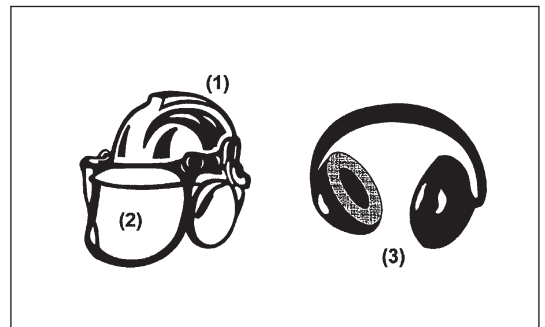
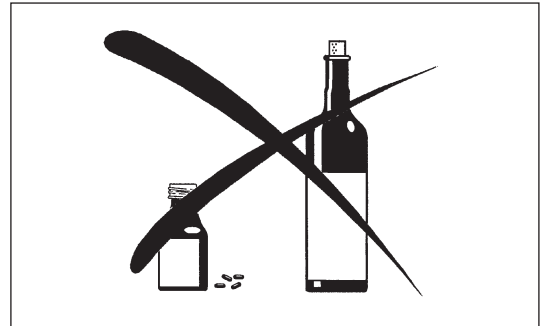
- Η συσκευή αυτή προορίζεται μόνο για την κοπή γρασιδιού και ελαφριάς βλάστησης. Δεν πρέπει να χρησιμοποιηθεί για άλλους σκοπούς όπως κοπή άκρων ή φρακτών επειδή μπορεί να προκαλέσει τραυματισμό.

Προσωπικός προστατευτικός εξοπλισμός

- Ο ρουχισμός που φοράτε θα πρέπει να είναι λειτουργικός και κατάλληλος, δηλαδή να είναι εφαρμοστός αλλά να μην σας παρεμποδίζει. Μην φοράτε κοσμήματα ή ρούχα τα οποία μπορούν να μπλεχτούν μέσα στους θάμνους ή στους βάλτους.
- Για την προστασία του τραυματισμού της κεφαλής, των ματιών, ή των ποδιών καθώς επίσης και την προστασία της ακοής κατά την λειτουργία, θα πρέπει να χρησιμοποιηθεί ο παρακάτω προστατευτικός εξοπλισμός και ο προστατευτικός ρουχισμός κατά τον χειρισμό της συσκευής.
- Πάντοτε να φοράτε κράνος όπου υπάρχει ο κίνδυνος της πτώσης αντικειμένων. Το κράνος (1) θα πρέπει να ελέγχεται για την ύπαρξη ζημιών κατά τακτικά χρονικά διαστήματα και θα πρέπει να αντικατασταθεί τουλάχιστον μετά από 5 χρόνια. Χρησιμοποιείτε μόνο εγκεκριμένα προστατευτικά κράνη.
- Η προσωπίδα (2) του κράνου (ή εναλλακτικά προστατευτικά γυαλιά) προστατεύει το πρόσωπο από τα θραύσματα και τις πέτρες που ίπτανται. Κατά τον χειρισμό, πάντοτε να φοράτε προστατευτικά γυαλιά ή προσωπίδα για την αποφυγή του τραυματισμού των ματιών.
- Φοράτε τον απαραίτητο εξοπλισμό προστασίας ενάντια στο θόρυβο για την αποφυγή πρόκλησης βλάβης στην ακοή (προστατευτικά επικαλύμματα αυτιών (3), ωτοασπίδες κτλ.).
- Η φόρμα εργασίας (4) προστατεύει από τις πέτρες και τα θραύσματα που ίπτανται. Σας συστήνουμε ανεπιφύλακτα την χρήση της φόρμας εργασίας από το χρήστη.
- Τα γάντια (5) αποτελούν μέρος του συνιστώμενου εξοπλισμού και πρέπει πάντοτε να φοριούνται κατά το χειρισμό.
- Κατά την χρήση της συσκευής, πάντοτε να φοράτε ανθεκτικά παπούτσια (6) με αντιολισθητικές σόλες. Αυτά προστατεύουν έναντι των τραυματισμών και διασφαλίζουν το καλό πάτημα.

Εκκίνηση του βενζινοκίνητου χλοοκοπτικού

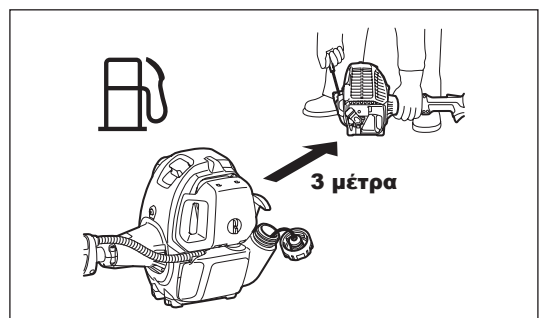
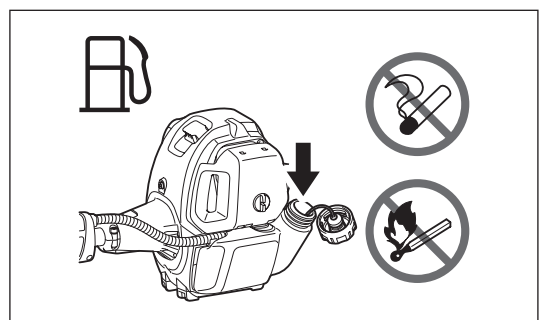
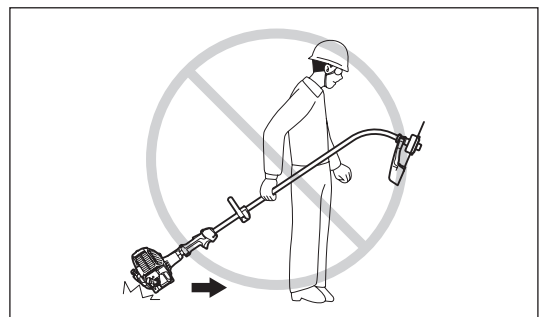
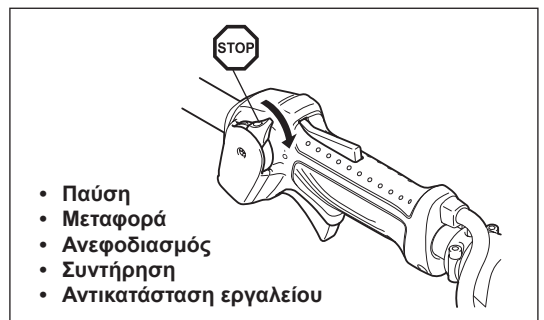
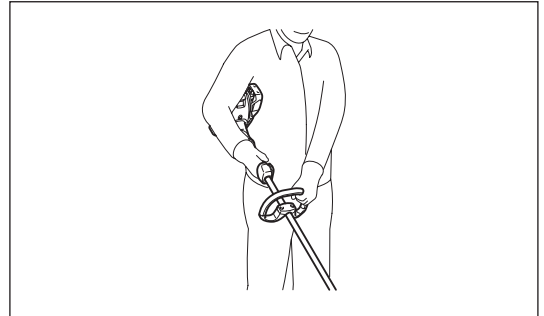
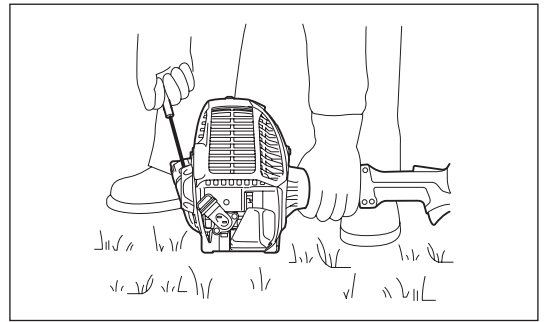
- Φροντίστε ώστε να μην υπάρχουν παιδιά ή άλλα άτομα μέσα σε μια απόσταση εργασίας 15 μέτρων (50 ποδιών), επίσης δώστε προσοχή στα οποιαδήποτε ζώα μέσα στην περιοχή εργασίας.
- Πριν από τη χρήση ελέγχετε πάντοτε ότι η συσκευή είναι ασφαλής για εργασία: Ελέγξτε την ασφάλεια του κοπτικού προσαρτήματος, το μοχλό του γκαζιού για την ευκολία δράσης και ελέγξτε την κατάλληλη λειτουργικότητα της ασφάλειας του μοχλού του γκαζιού.
- Απαγορεύεται η περιστροφή του κοπτικού προσαρτήματος κατά το ρελαντί. Εάν έχετε αμφιβολία απευθυνθείτε στον μεταπωλητή σας για τη ρύθμιση. Ελέγξτε τα χερούλια ώστε να είναι καθαρά και ξηρά και δοκιμάστε τη λειτουργία του διακόπτη εκκίνησης/σταματήματος.



- Ξεκινήστε το βενζινοκίνητο χλοοκοπτικό μόνο σύμφωνα με τις οδηγίες.
- Μην χρησιμοποιήσετε οποιοσδήποτε άλλες μεθόδους για να ξεκινήσετε τον κινητήρα!
- Χρησιμοποιήστε το βενζινοκίνητο χλοοκοπτικό και τα εργαλεία μόνο για τις καθορισμένες εφαρμογές.
- Ξεκινήστε τον κινητήρα μόνο αφότου ολοκληρωθεί πλήρως η συναρμολόγηση. Η λειτουργία της συσκευής επιτρέπεται μόνο αφότου συνδεθούν όλα τα κατάλληλα εξαρτήματα!
- Πριν το ξεκίνημα, βεβαιωθείτε ότι το κοπτικό προσάρτημα δεν βρίσκεται σε επαφή με σκληρά αντικείμενα όπως κλαδιά, πέτρες κτλ επειδή το κοπτικό προσάρτημα θα περιστραφεί κατά την εκκίνηση.
- Ο κινητήρας σβήνει αμέσως στην περίπτωση που συμβούν μηχανικά προβλήματα.
- Εάν το κοπτικό προσάρτημα χτυπήσει πέτρες ή άλλα σκληρά αντικείμενα, αμέσως κλείστε τον κινητήρα και επιθεωρήστε το κοπτικό προσάρτημα.
- Επιθεωρείτε το κοπτικό προσάρτημα για ζημιά ανά τακτά και σύντομα διαστήματα (διάγνωση λεπτών ρωγμών χρησιμοποιώντας το τεστ ήχου που παράγεται από την κρούση).
- Εάν η συσκευή χτυπήσει δυνατά κατά την πτώση, ελέγξτε την κατάσταση πριν συνεχίσετε την εργασία. Ελέγξτε το σύστημα καυσίμου για ύπαρξη διαρροής καυσίμου αλλά και τα χειριστήρια και τις διατάξεις ασφαλείας για ύπαρξη δυσλειτουργίας. Εάν υπάρχει οποιαδήποτε ζημιά ή αν έχετε αμφιβολίες, επικοινωνήστε με το δικό μας εξουσιοδοτημένο κέντρο εξυπηρέτησης για επιθεώρηση και επισκευή.
- Κατά τον χειρισμό, πάντοτε να κρατάτε το βενζινοκίνητο χλοοκοπτικό και με τα δυο σας χέρια. Ποτέ να μην κρατάτε το βενζινοκίνητο χλοοκοπτικό με το ένα χέρι κατά τη χρήση.
Πάντοτε να έχετε ένα ασφαλές πάτημα.
- Να χειρίζεστε τη συσκευή με τέτοιο τρόπο ώστε να αποφεύγετε την εισπνοή των καυσαερίων. Ποτέ να μην λειτουργήσετε τον κινητήρα σε κλειστά δωμάτια (υπάρχει κίνδυνος δηλητηρίασης από αέρια). Το μονοξείδιο του άνθρακα είναι ένα άσπρο αέριο.
- Σβήνετε τον κινητήρα όταν σταματάτε κατά την ανάπαυση και όταν παραμένει η συσκευή χωρίς επίβλεψη, και τοποθετήστε τη σε ένα ασφαλές χώρο για την αποφυγή πρόκλησης κινδύνου σε άλλους ή ζημιές στο μηχανήμα.
- Ποτέ να μην τοποθετείτε το βενζινοκίνητο χλοοκοπτικό όταν είναι ζεστό πάνω σε ξερά χόρτα ή πάνω σε άλλα εύφλεκτα υλικά.
- Πάντοτε να εγκαθιστάτε τον εγκεκριμένο προφυλακτήρα του κοπτικού προσαρτήματος πάνω στη συσκευή πριν την εκκίνηση του κινητήρα. Διαφορετικά η επαφή με το κοπτικό προσάρτημα μπορεί να προκαλέσει σοβαρό τραυματισμό.
- Όλα τα προστατευτικά συγκροτήματα και προφυλακτήρες που παρέχονται με το μηχανήμα πρέπει να χρησιμοποιούνται κατά τη λειτουργία.
- Ποτέ να μην χειρίζεστε τον κινητήρα με ένα σιγαστήρα της εξάτμισης που έχει πάθει ζημιά.
- Κλείστε τον κινητήρα κατά την μεταφορά.
- Διασφαλίστε την ασφαλή τοποθέτηση της συσκευής κατά την μεταφορά με αυτοκίνητο για την αποφυγή της διαρροής καυσίμου.
- Κατά την μεταφορά, διασφαλίστε ότι το ρεζερβουάρ καυσίμου είναι εντελώς άδειο.
- Κατά την εκφόρτωση της συσκευής από την καρότσα, ποτέ να μην ρίξετε κάτω τον κινητήρα στο έδαφος επειδή αν το κάνετε αυτό μπορεί να προκληθεί σοβαρή βλάβη στο ρεζερβουάρ καυσίμου.
- Εκτός από την περίπτωση της έκτακτης ανάγκης, ποτέ να μην ρίξετε ή να πετάξετε τη συσκευή στο έδαφος επειδή αν το κάνετε αυτό μπορεί να προκληθεί σοβαρή ζημιά στη συσκευή.
- Θυμηθείτε να σηκώνετε ολόκληρο τον κινητήρα από το έδαφος όταν μετακινείτε τη συσκευή. Το σύρσιμο του ρεζερβουάρ καυσίμου είναι πολύ επικίνδυνο και θα προκαλέσει ζημιά και διαρροή καυσίμου, προκαλώντας πιθανόν την πυρκαγιά.

Ανεφοδιασμός

- Κατά τον ανεφοδιασμό καυσίμου σβήστε τον κινητήρα, να είστε μακριά από τις γυμνές φλόγες και να μην καπνίζετε.
- Αποφύγετε την επαφή του δέρματος με προϊόντα ορυκτών λαδιών. Μην εισπνέετε τον ατμό του καυσίμου. Πάντοτε να φοράτε προστατευτικά γάντια κατά τον ανεφοδιασμό καυσίμου. Αλλάζετε και καθαρίζετε τον προστατευτικό ρουχισμό σε τακτικά διαστήματα.
- Δώστε προσοχή ώστε να μην ρίξετε κάτω καύσιμο ή λάδια για την αποφυγή της ρύπανσης του εδάφους (προστασία του περιβάλλοντος). Καθαρίστε το βενζινοκίνητο χλοοκοπτικό αμέσως μετά την διασπορά του καυσίμου.
- Αποφύγετε την οποιαδήποτε επαφή του καυσίμου με τα ρούχα σας. Αλλάξτε το ρουχισμό σας αμέσως μετά την πτώση του καυσίμου επάνω του (για την αποφυγή της πρόκλησης φωτιάς στα ρούχα σας).
- Επιθεωρήστε την τάπα του καυσίμου ανά τακτά διαστήματα για να διασφαλίσετε ότι μπορεί να στερεωθεί σταθερά και ότι δεν παρουσιάζει διαρροή.
- Προσεκτικά σφίξτε την τάπα του ρεζερβουάρ καυσίμου. Αλλάξτε θέση για την εκκίνηση του κινητήρα (τουλάχιστον 3 μέτρα μακριά από τον χώρο του ανεφοδιασμού).
- Ποτέ να μην ανεφοδιάζετε σε κλειστά δωμάτια. Οι ατμοί του καυσίμου συσσωρεύονται στο επίπεδο του εδάφους (κίνδυνος εκρήξεων).
- Να μεταφέρετε και να αποθηκεύετε το καύσιμο σε κατάλληλα δοχεία. Φροντίστε ώστε το αποθηκευμένο καύσιμο να μην είναι προσβάσιμο στα παιδιά.



Μέθοδος Λειτουργίας

- Χρησιμοποιήστε μόνο κάτω από καλό φωτισμό και ορατότητα. Κατά τη διάρκεια της εποχής του χειμώνα δώστε προσοχή στις περιοχές που είναι υγρές και γλιστρούν, πάγος και χιόνι (κίνδυνος ολισθηρότητας). Πάντοτε να έχετε ένα ασφαλές πάτημα.
- Ποτέ μην κόβετε επάνω από το ύψος της μέσης σας.
- Ποτέ να μην στέκεστε πάνω σε μια σκάλα.
- Ποτέ να μην σκαρφαλώνετε σε δέντρα για να εκτελέσετε εργασίες κοπής.
- Ποτέ να μην εργάζεστε πάνω σε ασταθείς επιφάνειες.
- Αφαιρέστε την άμμο, τις πέτρες, τα καρφιά κτλ που βρίσκονται μέσα στο εύρος της περιοχής εργασίας.
- Πριν το ξεκίνημα της κοπής, το κοπτικό προσάρτημα θα πρέπει να έχει αποκτήσει την πλήρη ταχύτητα λειτουργίας.
- Ταλαντώνετε το βενζινοκίνητο χλοοκοπτικό ομοιόμορφα. Αν γρασίδι ή κλαδιά μπλεχτούν μεταξύ του κοπτικού προσαρτήματος και του προφυλακτήρα, να σταματάτε πάντοτε τον κινητήρα πριν από τον καθαρισμό. Διαφορετικά η ακούσια περιστροφή του προσαρτήματος μπορεί να προκαλέσει σοβαρό τραυματισμό.
- Ξεκουραστείτε για να μην χάσετε τον έλεγχο λόγω κόπωσης. Σας συνιστούμε να κάνετε 10 έως 20 λεπτά διάλειμμα κάθε ώρα.

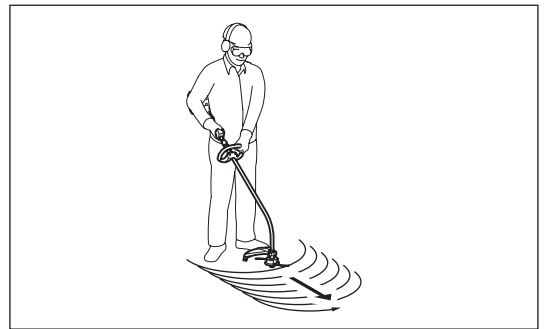


Προσαρτήματα κοπής

- Ποτέ να μην χρησιμοποιήσετε μεταλλικές λάμες συμπεριλαμβανομένων των μεταλλικών περιστροφικών αλυσίδων πολλαπλών τμημάτων και των αλυσιστικών λαμών. Διαφορετικά η επαφή με τη λάμα μπορεί να προκαλέσει σοβαρό τραυματισμό.

Δόνηση

- Τα άτομα με κακό κυκλοφορικό σύστημα τα οποία εκτίθενται σε υπερβολικούς κραδασμούς μπορεί να παρουσιάσουν βλάβη στα αιμοφόρα αγγεία ή στο νευρικό σύστημα. Οι κραδασμοί ενδέχεται να προκαλέσουν τα ακόλουθα συμπτώματα στα δάχτυλα, τα χέρια ή τους καρπούς: "Κοίμισμα" (μούδιασμα), μυρμηγκιασμα, πόνος, σουβλιές, αλλαγή χρώματος ή υφής του δέρματος. Εάν έχετε οποιαδήποτε από αυτά τα συμπτώματα, επισκεφτείτε ένα γιατρό!
- Για την ελάττωση του κινδύνου της "ασθένειας των άστρων δακτύλων", διατηρήστε τα χέρια σας ζεστά κατά την λειτουργία και διατηρήστε σε καλή κατάσταση τη συσκευή και τα εξαρτήματα.



Οδηγίες συντήρησης

- Επισκευάζετε τη συσκευή σας στο δικό μας εξουσιοδοτημένο κέντρο σέρβις, χρησιμοποιώντας πάντοτε αυθεντικά ανταλλακτικά. Η λανθασμένη επισκευή και η φτωχή συντήρηση μπορεί να μειώσει την διάρκεια της ωφέλιμης ζωής της συσκευής και να αυξήσει τον κίνδυνο ατυχημάτων.
- Η κατάσταση της συσκευής, ιδιαίτερα του κοπτικού προσαρτήματος των προστατευτικών συσκευών, θα πρέπει να ελέγχεται πριν από την έναρξη της εργασίας.
- Κλείστε τον κινητήρα και αφαιρέστε το σύνδεσμο του μπουζί κατά την αντικατάσταση ή το ακόνισμα των κοπτικών προσαρτημάτων και επίσης κατά τον καθαρισμό του κόφτη ή του κοπτικού προσαρτήματος.
- Δώστε προσοχή στο περιβάλλον. Αποφύγετε την άσκοπη λειτουργία του γκαζιού για λιγότερη ρύπανση και εκπομπές θορύβου. Ρυθμίστε το καρμπυρατέρ σωστά.
- Καθαρίστε τη συσκευή ανά τακτά διαστήματα και ελέγξτε ότι όλες οι βίδες και τα παξιμάδια είναι καλά σφιγμένα.
- Ποτέ να μην κάνετε τη συντήρηση ή την αποθήκευση της συσκευής κοντά σε γυμνές φλόγες.
- Πάντοτε να αποθηκεύετε τη συσκευή σε κλειδωμένα δωμάτια με άδειο το ρεζερβουάρ καυσίμου.



Τηρήστε τις σχετικές οδηγίες αποτροπής ατυχήματος που εκδίδονται από τις σχετικές εμπορικές ενώσεις και από τις ασφαλιστικές εταιρίες. Μην εκτελέσετε καμιά τροποποίηση στη συσκευή επειδή αυτό θα θέσει σε κίνδυνο την ασφάλειά σας.

Η εκτέλεση των εργασιών συντήρησης και επισκευής από το χρήστη περιορίζονται τις δραστηριότητες που περιγράφονται στο εγχειρίδιο οδηγιών. Όλες οι άλλες εργασίες πρέπει να γίνονται από ένα εξουσιοδοτημένο αντιπρόσωπο του σέρβις. Χρησιμοποιήστε μόνο τα αυθεντικά ανταλλακτικά και αξεσουάρ που διατίθενται και παρέχονται από τη MAKITA. Η χρήση μη εγκεκριμένων εξαρτημάτων και εργαλείων συνεπάγεται τον αυξημένο κίνδυνο ατυχημάτων. Η MAKITA δεν θα δεχθεί την οποιαδήποτε ευθύνη για ατυχήματα ή φθορά που προκλήθηκε από τη χρήση μη εγκεκριμένων κοπτικών προσαρτημάτων και συσκευών στερέωσης των κοπτικών προσαρτημάτων ή αξεσουάρ.

Πρώτες βοήθειες

Για την περίπτωση ατυχήματος, φροντίστε να υπάρχει διαθέσιμο ένα κουτί πρώτων βοηθειών στην περιοχή όπου εκτελούνται οι εργασίες κοπής. Αντικαταστήστε αμέσως το οποιοδήποτε αντικείμενο που πάρθηκε από το κουτί των πρώτων βοηθειών.

Όταν ζητάτε βοήθεια, παρακαλώ παράσχετε τις ακόλουθες πληροφορίες:

- Τόπος του ατυχήματος
- Τι συνέβη
- Αριθμός τραυματισμένων ατόμων
- Είδος των τραυμάτων
- Το όνομά σας



ΤΕΧΝΙΚΑ ΣΤΟΙΧΕΙΑ ER2650LH

Μοντέλο		ER2650LH		
Τύπος χερουιού		Χερούλι σε σχήμα βρόγχου		
Διαστάσεις: μήκος x πλάτος x ύψος (χωρίς το κοπτικό προσάρτημα)	χιλ	1.621 x 310 x 479		
Διάμετρος κοπής	χιλ	412		
Βάρος (χωρίς πλαστικό προφυλακτήρα και κοπτικό προσάρτημα)	κιλά	4,8		
Όγκος (ρεζερβουάρ καυσίμου)	L	0,6		
Όγκος (ρεζερβουάρ λαδιού)	L	0,08		
Εκτόπισμα κινητήρα	cm ³	25,4		
Μέγιστη απόδοση κινητήρα	kw	0,77 στις 7.000 min ⁻¹		
Ταχύτητα κινητήρα στη συνιστώμενη μέγιστη ταχύτητα του άξονα	min ⁻¹	10.000		
Μέγιστη περιστροφική συχνότητα της ατράκτου	min ⁻¹	7.900		
Ταχύτητα ρελαντί	min ⁻¹	3.000		
Ταχύτητα εμπλοκής συμπλέκτη	min ⁻¹	3.900		
Καρμπιρατέρ		Τύπου διαφράγματος		
Σύστημα ανάφλεξης		Χωρίς επαφή, μαγνητικού τύπου		
Μπουζί	τύπος	NGK CMR4A		
Διάκενο ηλεκτροδίων	χιλ	0,7 - 0,8		
Δόνηση σύμφωνα με το ISO 22867	Δεξιό χερούλι (Πίσω λαβή)	$a_{hv\ eq}$	m/s ²	8,2
		Αβεβαιότητα K	m/s ²	0,9
	Αριστερό χερούλι (Μπροστινή λαβή)	$a_{hv\ eq}$	m/s ²	5,0
		Αβεβαιότητα K	m/s ²	1,7
Στάθμη ηχητικής πίεσης αντιπροσωπευτική του ISO 22868		$L_{PA\ eq}$	dBA	97,5
		Αβεβαιότητα K	dBA	1,8
Στάθμη ηχητικής ισχύος αντιπροσωπευτική του ISO 22868		$L_{WA\ eq}$	dBA	107,3
		Αβεβαιότητα K	dBA	2,5
Καύσιμο		Βενζίνη αυτοκινήτου		
Λάδι κινητήρα		Λάδι κατηγορίας API κλάσης SF ή υψηλότερης ή λάδι 10W-30 του SAE (λάδι 4-χρονου κινητήρα για αυτοκίνητα)		

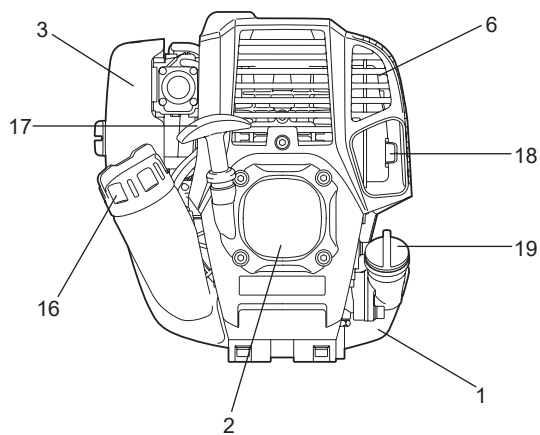
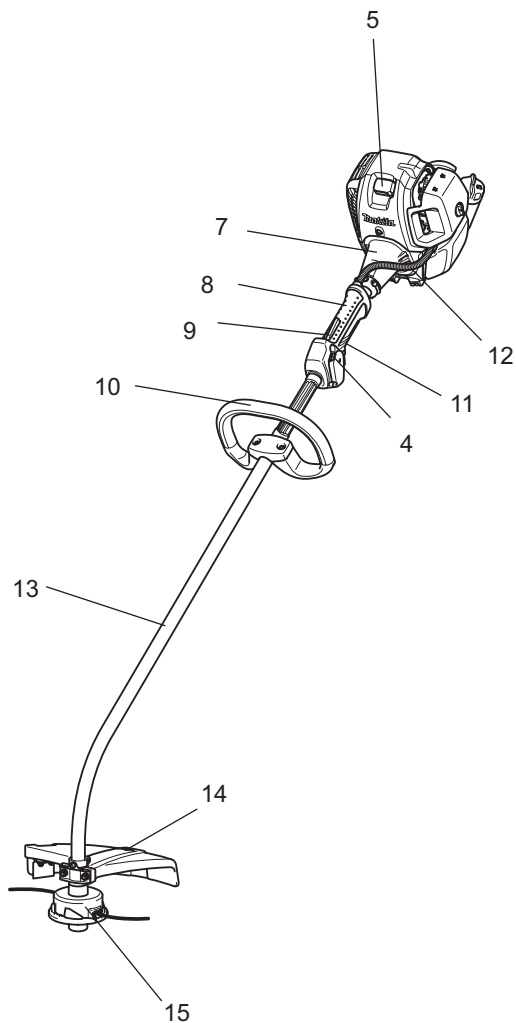
Για τις ευρωπαϊκές χώρες μόνο

ΕΚ – Δήλωση συμμόρφωσης

Η δήλωση συμμόρφωσης ΕΚ περιλαμβάνεται ως παράρτημα Α σε αυτό το εγχειρίδιο οδηγιών.

ΚΑΘΟΡΙΣΜΟΣ ΕΞΑΡΤΗΜΑΤΩΝ

ER2650LH



GR	ΚΑΘΟΡΙΣΜΟΣ ΕΞΑΡΤΗΜΑΤΩΝ
1	Ρεζερβουάρ καυσίμου
2	Εκκινητήρας ανατύλιξης
3	Φίλτρο αέρα
4	I-O διακόπτης (ανοικτός/κλειστός)
5	Μπουζί
6	Σιγαστήρας εξάτμισης
7	Θήκη συμπλέκτη
8	Πίσω λαβή
9	Μοχλός κλειδώματος
10	Χερούλι
11	Μοχλός γκαζιού
12	Καλώδιο χειρισμού
13	Άξονας
14	Προφυλακτήρας (Προφυλακτήρας κοπτικού προσαρτήματος)
15	Νάιλον κεφαλή κοπής
16	Τάπα πληρωτή καυσίμου
17	Λαβή εκκινητήρα
18	Σωλήνας εξάτμισης
19	Τάπα λαδιού

ΣΤΕΡΕΩΣΗ ΤΟΥ ΧΕΡΟΥΛΙΟΥ

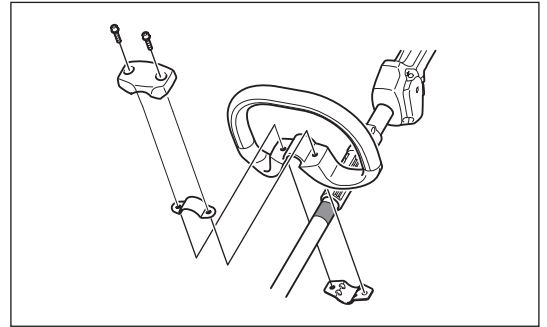
⚠ ΠΡΟΣΟΧΗ: Πριν κάνετε την οποιαδήποτε εργασία πάνω στη συσκευή, πάντοτε να σταματάτε τον κινητήρα και να αποσυνδέετε το σύνδεσμο του μπουζί από το μπουζί.
Να φοράτε πάντα προστατευτικά γάντια!

⚠ ΠΡΟΣΟΧΗ: Να ξεκινάτε τον κινητήρα μόνο μετά την πλήρη συναρμολόγηση.

Για μηχανήματα με χερούλι σε σχήμα βρόγχου

- Στερεώστε το χερούλι σχήματος βρόγχου πάνω στον άξονα όπως δείχνεται.
- Βεβαιωθείτε ότι το διαχωριστικό στον άξονα του σωλήνα βρίσκεται μεταξύ του συγκροτήματος της λαβής και της άλλης λαβής. Μην αφαιρέσετε ή συμπίψτετε το διαχωριστικό.

ΣΗΜΕΙΩΣΗ: Σε ορισμένες χώρες, το διαχωριστικό δεν παρέχεται με το εργαλείο. Στην περίπτωση αυτή, ευθυγραμμίστε το χερούλι στην πιο πέρα πλευρά της γραμμής που υποδεικνύεται από τα σημάδια των βελών.



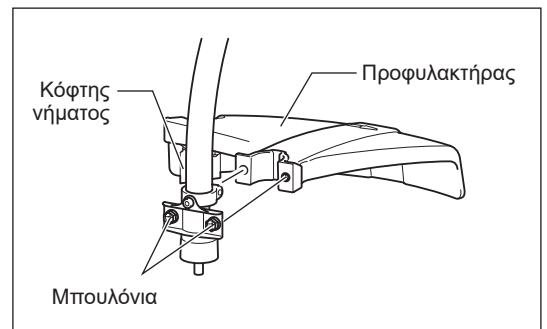
ΣΤΕΡΕΩΣΗ ΤΟΥ ΠΡΟΦΥΛΑΚΤΗΡΑ

Για εναρμόνιση με τις διατάξεις ασφαλείας, πρέπει να χρησιμοποιηθούν μόνο οι συνδυασμοί εργαλείου/προφυλακτήρα που αναφέρονται στον πίνακα.

⚠ ΠΡΟΣΟΧΗ: Μην αγγίζετε τον κόφτη του νήματος στον προφυλακτήρα. Το άγγιγμα του κόφτη του νήματος με γυμνά χέρια μπορεί να προκαλέσει τραυματισμό.

Ο προφυλακτήρας πρέπει να τοποθετηθεί για να διατηρήσει το μήκος του νάιλον κοπτικού νήματος και για να προστατεύει τον χειριστή από τις εκτινασόμενες πέτρες και θραύσματα. Συναρμολογήστε τον προφυλακτήρα σύμφωνα με τα παρακάτω βήματα.

1. Τοποθετήστε τον προφυλακτήρα έτσι ώστε η ράβδωση του άξονα να ταιριάζει με την εγκοπή στον προφυλακτήρα.
2. Σφίξτε τα δυο μπουλόνια.



ΣΤΕΡΕΩΣΗ ΤΗΣ ΝΑΙΛΟΝ ΚΕΦΑΛΗΣ ΚΟΠΗΣ

⚠ ΠΡΟΕΙΔΟΠΟΙΗΣΗ: Ποτέ μην χρησιμοποιήσετε κοπτικές λάμες.

Φροντίστε να χρησιμοποιήσετε μια αυθεντική νάιλον κεφαλή κοπής της ΜΑΚΙΤΑ.

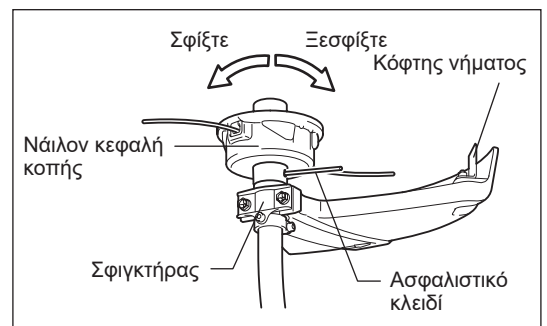
– Εάν η νάιλον κεφαλή κοπής χτυπήσει μια πέτρα κατά τη λειτουργία, σταματήστε τον κινητήρα και ελέγξτε αμέσως την κεφαλή κοπής.

⚠ ΠΡΟΣΟΧΗ: Μην αγγίζετε τον κόφτη του νήματος στον προφυλακτήρα. Το άγγιγμα του κόφτη του νήματος με γυμνά χέρια μπορεί να προκαλέσει τραυματισμό.

Στερεώστε την νάιλον κεφαλή κοπής σύμφωνα με τα παρακάτω βήματα.

1. Εισάγετε το ασφαλιστικό κλειδί μέσα από την τρύπα στο σφιγκτήρα. Περιστρέψτε τα σπρώχνοντας προς τα μέσα το ασφαλιστικό κλειδί ως ότου να κλειδώσουν.
2. Βιδώστε μια νάιλον κεφαλή κοπής πάνω στον άξονα περιστρέφοντάς την δεξιόστροφα. Βεβαιωθείτε ότι είναι ασφαλώς στερεωμένη.
3. Αφαιρέστε το ασφαλιστικό κλειδί.

Για να αφαιρέσετε τη νάιλον κεφαλή κοπής, περιστρέψτε την αριστερόστροφα.



ΠΡΙΝ ΑΠΟ ΤΟ ΞΕΚΙΝΗΜΑ ΤΗΣ ΛΕΙΤΟΥΡΓΙΑΣ

Έλεγχος και αναπλήρωση του λαδιού του κινητήρα

- Εκτελέστε την παρακάτω διαδικασία, με κρύο τον κινητήρα.
- Ορίστε το επίπεδο του κινητήρα, αφαιρέστε την τάπα λαδιού (Εικ. 1) και στη συνέχεια, ελέγξτε για να δείτε το εύρος μεταξύ των σημάνσεων του ανώτερου και του κατώτερου ορίου του σωλήνα λαδιού (Εικ. 2).
- Γεμίστε με λάδι έως το ανώτερο σημείο ορίου εάν το λάδι δεν είναι επαρκές (η στάθμη του λαδιού βρίσκεται κοντά στο κατώτερο όριο) (Εικ. 3).
- Η περιοχή που περιβάλλει τις εξωτερικές σημάνσεις είναι διαφανής, έτσι ώστε η ποσότητα του λαδιού στο εσωτερικό μπορεί να ελεγχθεί χωρίς να χρειάζεται να αφαιρέσετε την τάπα λαδιού. Όμως εάν ο σωλήνας λαδιού γίνει πάρα πολύ βρώμικος, η ορατότητα μπορεί να χαθεί και τότε η στάθμη του λαδιού θα πρέπει να ελεγχθεί έναντι του κλιμακωτού τμήματος στο εσωτερικό της σωλήνας λαδιού.
- Ως αναφορά, ο χρόνος αναπλήρωσης του λαδιού είναι 10 ώρες περίπου (10 φορές ή 10 ρεζερβουάρ βενζίνης πριν την αναπλήρωση του λαδιού).
Εάν αλλάξει το χρώμα του λαδιού ή αναμειχθεί με βρωμιά, αντικαταστήστε το με καινούργιο. (Για το διάστημα και την μέθοδο αντικατάστασης, ανατρέξτε στη Σ 158)

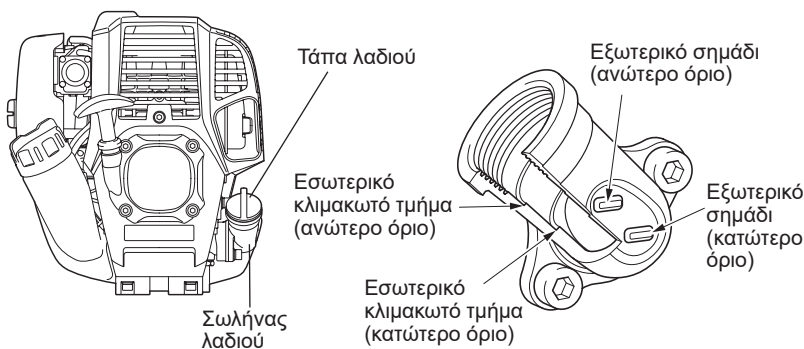
Συνιστώμενο λάδι: SAE 10W-30 λάδι Κατηγορίας API, Κλάση SF ή υψηλότερη (4-χρονος κινητήρας για αυτοκίνητα)

Όγκος λαδιού: Περίπου 0,08L

ΣΗΜΕΙΩΣΗ: Αν ο κινητήρας δεν διατηρείται σε όρθια θέση, το λάδι μπορεί να μαζευτεί σε άλλα μέρη του κινητήρα. Ο μετρητής της στάθμης του λαδιού μπορεί να δείχνει μια λανθασμένη στάθμη λαδιού.
Μην γεμίσετε με λάδι εάν ο κινητήρας δεν είναι σε όρθια θέση. Εάν το λάδι γεμίσει πάνω από το όριο, το λάδι μπορεί να ρυπανθεί ή να πιώσει φωτιά με άσπρο καπνό.

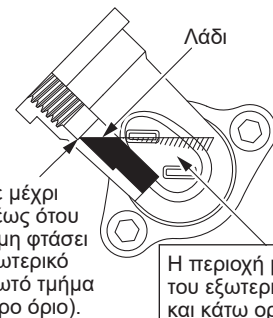
1η παρατήρηση στην αντικατάσταση του λαδιού: “Τάπα λαδιού”

- Αφαιρέστε τη σκόνη ή την βρωμιά κοντά στην τρύπα ανεφοδιασμού του λαδιού, και αποσυνδέστε την τάπα λαδιού.
- Διατηρήστε την τάπα λαδιού που έχετε βγάλει καθαρή από άμμο και σκόνη. Διαφορετικά, η οποιαδήποτε άμμος ή σκόνη κολλήσει στην τάπα λαδιού μπορεί να προκαλέσει την μη φυσιολογική κυκλοφορία του λαδιού ή την φθορά των τμημάτων του κινητήρα, το οποίο θα προκαλέσει προβλήματα.



Εικ. 1

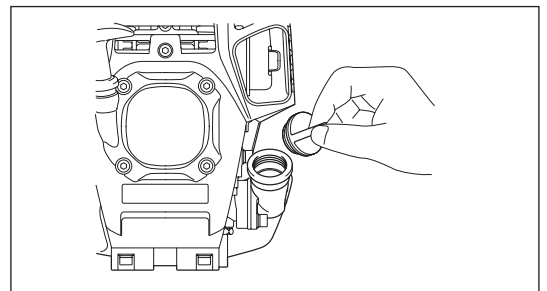
Εικ. 2 Σωλήνας λαδιού



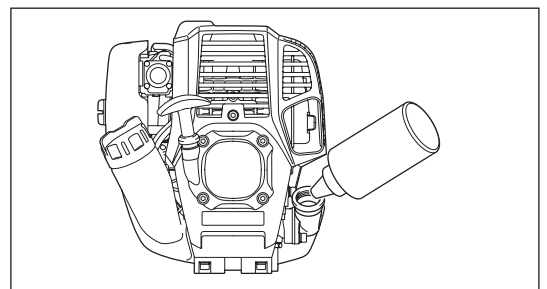
Εικ. 3

Η περιοχή μεταξύ του εξωτερικού πάνω και κάτω ορίου είναι διαφανής, έτσι η στάθμη του λαδιού μπορεί να ελέγχεται μεταξύ αυτών των δυο σημάνσεων.

(1) Κρατήστε τον κινητήρα επίπεδο και αποσυνδέστε την τάπα λαδιού.



(2) Γεμίστε με λάδι έως την ένδειξη του ανώτερου ορίου. (δείτε Εικ. 3)
Χρησιμοποιήστε το μπουκάλι λαδιού κατά το γέμισμα.



(3) Σφίξτε καλά την τάπα λαδιού. Το ανεπαρκές σφίξιμο μπορεί να προκαλέσει τη διαρροή λαδιού.

Σημείωση

- Μην αντικαταστήσετε το λάδι έχοντας τον κινητήρα υπό κλίση.
- Το γέμισμα με του λαδιού με τον κινητήρα υπό κλίση προσθέτει μια ποσότητα λαδιού μεγαλύτερη από την κανονική που προκαλεί την ρύπανση του λαδιού και/ή τον άσπρο καπνό.

2η παρατήρηση στην αντικατάσταση του λαδιού: “Εάν το λάδι χυθεί έξω”

- Εάν το λάδι χυθεί έξω μεταξύ του ρεζερβουάρ καυσίμου και της κύριας μονάδας του κινητήρα, το λάδι απορροφάται μέσα στη θύρα εισαγωγής του ψυκτικού αέρα, και θα προκληθεί ρύπανση του κινητήρα. Φροντίστε να σκουπίσετε το λάδι που έχει χυθεί πριν την έναρξη της λειτουργίας.

ΑΝΕΦΟΔΙΑΣΜΟΣ

Χειρισμός καυσίμου

Είναι απαραίτητο να χειρίζεστε το καύσιμο με τη μεγαλύτερη δυνατή προσοχή. Το καύσιμο μπορεί να περιέχει ουσίες όμοιες με τους διαλύτες. Ο ανεφοδιασμός πρέπει να γίνεται σε ένα επαρκώς αεριζόμενο δωμάτιο ή σε ένα ανοικτό χώρο. Ποτέ να μην εισπνέετε τους ατμούς του καυσίμου και κρατήστε μακριά σας το καύσιμο. Εάν αγγίξετε το καύσιμο επαναλαμβανόμενα για μακρό χρονικό διάστημα το δέρμα γίνεται ξηρό, και μπορεί να προκαλέσει ασθένεια του δέρματος ή αλλεργία. Εάν το καύσιμο μπει στο μάτι καθαρίστε το με καθαρό νερό. Εάν το μάτι σας παραμείνει ερεθισμένο, συμβουλευτείτε το γιατρό σας.

Χρονική περίοδος αποθήκευσης του καυσίμου

Το καύσιμο πρέπει να χρησιμοποιείται μέσα σε μια περίοδο 4 εβδομάδων, ακόμη και αν είναι φυλαγμένο σε ειδικό δοχείο σε μια καλά αεριζόμενη σκιερή περιοχή.

Διαφορετικά, το καύσιμο μπορεί να αλλοιωθεί σε μια μέρα.

ΑΠΟΘΗΚΕΥΣΗ ΤΟΥ ΜΗΧΑΝΗΜΑΤΟΣ ΚΑΙ ΤΟΥ ΔΟΧΕΙΟΥ ΑΝΕΦΟΔΙΑΣΜΟΥ

- Φυλάξτε το μηχάνημα και το δοχείο σε ένα ψυχρό χώρο μακριά από το απευθείας ηλιακό φως.
- Ποτέ να μην τοποθετείτε το καύσιμο σε ένα αμάξι.

Καύσιμο

Ο κινητήρας είναι ένας τετράχρονος κινητήρας. Φροντίστε να χρησιμοποιήσετε βενζίνη αυτοκινήτου 87 οκτανίων ή περισσότερων ((R+M)/2). Δεν πρέπει να περιέχει περισσότερο από 10% αλκοόλη (E-10).

Σημειώσεις για το καύσιμο

- Ποτέ να μην χρησιμοποιήσετε ένα μείγμα βενζίνης που περιέχει λάδι μηχανής. Διαφορετικά, θα προκληθεί υπερβολική συσσώρευση άνθρακα ή μηχανικά προβλήματα.
- Η χρήση αλλοιωμένου λαδιού θα προκαλέσει τη μη φυσιολογική εκκίνηση.

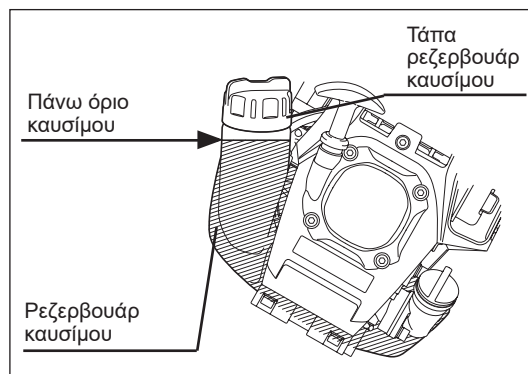
Ανεφοδιασμός

⚠ ΠΡΟΕΙΔΟΠΟΙΗΣΗ: Σβήστε τον κινητήρα πριν τον ανεφοδιασμό με καύσιμα, να είστε μακριά από τις γυμνές φλόγες και να μην καπνίζετε.

Χρησιμοποιούμενη βενζίνη: Αμόλυβδη βενζίνη αυτοκινήτων, 87 οκτάνια ή περισσότερα. Όχι περισσότερο από 10% αλκοόλη (E-10).

- Ξεσφίξτε λίγο την τάπα του ρεζερβουάρ για να εκτονωθεί η πίεση του ρεζερβουάρ.
- Αποσπάστε την τάπα του ρεζερβουάρ, και ανεφοδιάστε, εκτονώνοντας τον αέρα γέρνοντας το ρεζερβουάρ καυσίμου έτσι ώστε η τρύπα ανεφοδιασμού να βλέπει προς τα πάνω. ΜΗΝ γεμίσετε με καύσιμο έως το χείλος του ρεζερβουάρ.
- Σκουπίστε καλά το εξωτερικό της τάπας του ρεζερβουάρ για να αποτρέψετε στα ξένα σώματα να μπουν μέσα στο ρεζερβουάρ καυσίμου.
- Μετά τον ανεφοδιασμό, σφίξτε καλά την τάπα του ρεζερβουάρ.

- Εάν υπάρχει κάποια ανωμαλία ή ζημιά στην τάπα του ρεζερβουάρ, αντικαταστήστε τη.
- Η τάπα του ρεζερβουάρ φθείρεται με το πέρασμα του χρόνου. Αντικαταστήστε τη κάθε δυο ή τρία χρόνια.
- ΜΗΝ ρίξετε καύσιμο στην τρύπα πλήρωσης λαδιού.



ΣΗΜΕΙΩΣΕΙΣ ΓΙΑ ΤΟ ΧΕΙΡΙΣΜΟ ΚΑΙ ΠΩΣ ΝΑ ΓΙΝΕΙ ΤΟ ΣΤΑΜΑΤΗΜΑ

Να τηρείτε τους ισχύοντες κανονισμούς πρόληψης ατυχημάτων!

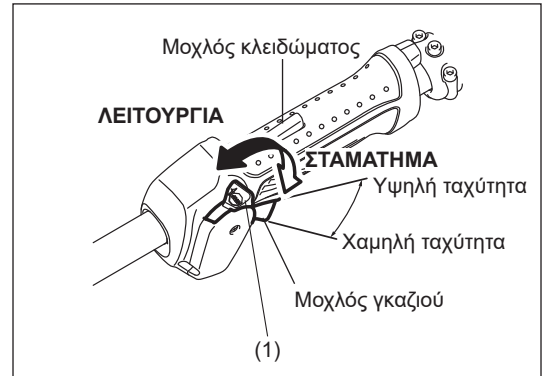


ΞΕΚΙΝΗΜΑ

Μετακινηθείτε τουλάχιστον 3 μέτρα μακριά από το σημείο ανεφοδιασμού με καύσιμο. Τοποθετήστε τη συσκευή στο έδαφος προσέχοντας ώστε το κοπτικό προσάρτημα να μην έρχεται σε επαφή με το έδαφος ή με άλλα αντικείμενα.

A: Εκκίνηση εν ψυχρώ

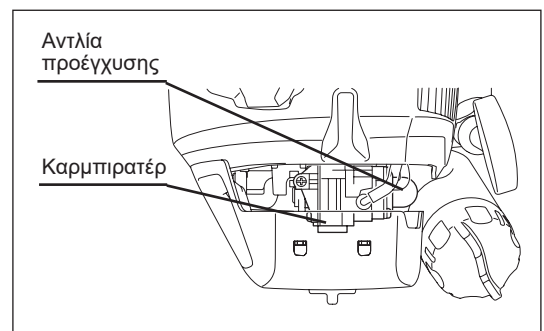
- 1) Τοποθετήστε αυτό το μηχανήμα σε μια επίπεδη επιφάνεια.
- 2) Τοποθετήστε το διακόπτη I-O (1) στη θέση ΛΕΙΤΟΥΡΓΙΑ.



- 3) Αντλία προέγχυσης

Συνεχίστε να σπρώχνεται την αντλία προέγχυσης έως ότου το καύσιμο να εισέλθει μέσα στην αντλία προέγχυσης. (Γενικά, το καύσιμο εισέρχεται μέσα στην αντλία προέγχυσης με 7 έως 10 σπρωξίματα.)

Εάν η αντλία προέγχυσης σπρωχτεί υπερβολικά, η περίσσεια ποσότητα βενζίνης επιστρέφει στο ρεζερβουάρ καυσίμου.



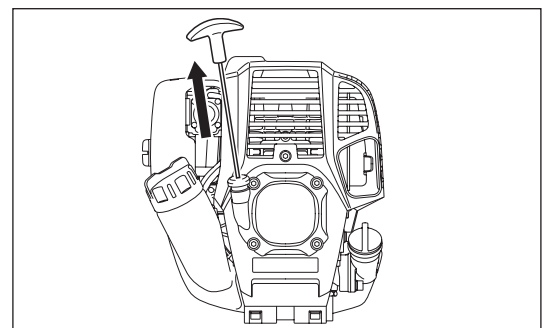
- 4) Εκκινητήρας ανατύλιξης

Τραβήξτε τη λαβή του εκκινητήρα ελαφρά έως ότου καταστεί δύσκολο το τράβηγμα (σημείο συμπίεσης). Στην συνέχεια επιστρέψτε τη λαβή εκκίνησης, και τραβήξτε την δυνατά.

Ποτέ να μην τραβήξετε το σχοινί μέχρι τέρμα. Όταν τραβηχτεί η λαβή του εκκινητήρα, ποτέ να μην ελευθερώσετε το χέρι σας αμέσως. Κρατήστε τη λαβή του εκκινητήρα έως ότου να επιστρέψει στο αρχικό της σημείο.

- 5) Λειτουργία προθέρμανσης

Συνεχίστε τη λειτουργία προθέρμανσης για 2 έως 3 λεπτά.



ΣΗΜΕΙΩΣΗ: Εάν εισέλθει υπερβολική ποσότητα καυσίμου (μπούκωμα), αφαιρέστε το μπουζί και τραβήξτε το χερούλι του εκκινητήρα αργά για να αφαιρέσετε το υπερβολικό καύσιμο. Επίσης, στεγνώστε το τμήμα του ηλεκτροδίου του μπουζιού.

B: Εκκίνηση μετά την λειτουργία προθέρμανσης

- 1) Σπρώξτε επαναλαμβανόμενα την αντλία προέγχυσης.
- 2) Κρατήστε τον μοχλό του γκαζιού στη θέση του ρελαντί.
- 3) Τραβήξτε γερά τον εκκινητήρα ανατύλιξης.
- 4) Εάν είναι δύσκολη η εκκίνηση του κινητήρα, ανοίξτε το γκάζι στο 1/3 περίπου.

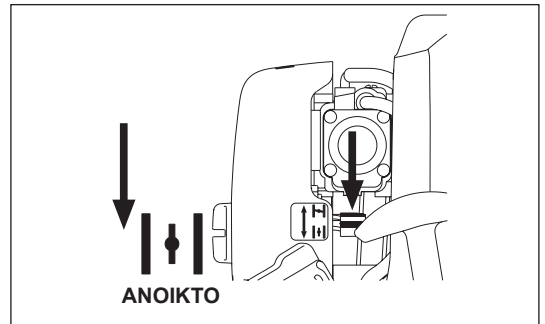
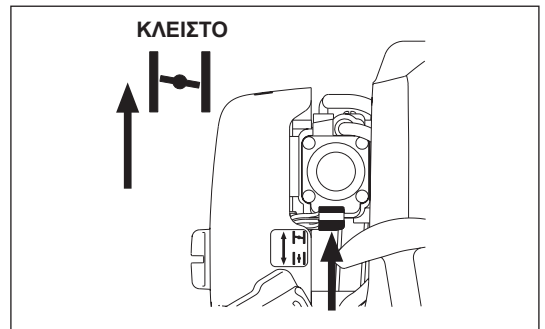
Σε κάποιες φορές, όπως το χειμώνα, που η εκκίνηση του κινητήρα είναι δύσκολη

Λειτουργήστε το μοχλό του τσοκ με την ακόλουθη διαδικασία κατά την εκκίνηση του κινητήρα.

- Αφού εκτελέσετε τα βήματα της εκκίνησης 1) έως 3), τοποθετήστε το μοχλό του τσοκ στην ΚΛΕΙΣΤΗ θέση.
- Εκτελέστε το βήμα εκκίνησης 4) και ξεκινήστε τον κινητήρα.
- Όταν ξεκινήσει ο κινητήρας, τοποθετήστε τον μοχλό του τσοκ στην ΑΝΟΙΚΤΗ θέση.
- Εκτελέστε το βήμα εκκίνησης 5) και ολοκληρώστε το ζέσταμα.

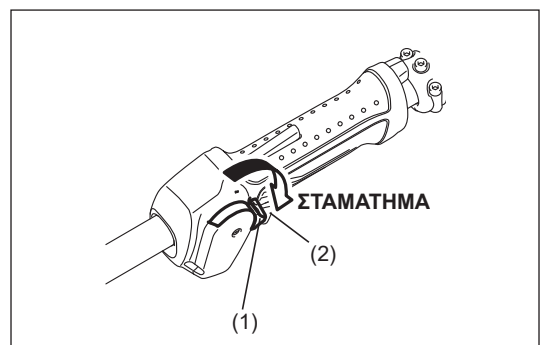
⚠ ΠΡΟΣΟΧΗ: Αν ακουστεί ένα μπαγκ (εκρηκτικός θόρυβος) και σταματήσει ο κινητήρας, ή αν σταματήσει ο κινητήρας πριν από το χειρισμό του μοχλού του τσοκ, επιστρέψτε τον μοχλό του τσοκ στην ΑΝΟΙΚΤΗ θέση και στη συνέχεια, τραβήξτε τη λαβή του εκκινητήρα μερικές φορές για να ξεκινήσει ο κινητήρας.

⚠ ΠΡΟΣΟΧΗ: Αν ο μοχλός του τσοκ παραμείνει στην ΚΛΕΙΣΤΗ θέση, και η λαβή εκκινητήρα απλά τραβηχτεί επαναλαμβανόμενα, θα εισέλθει παραπάνω ποσότητα καυσίμου και ο κινητήρας θα είναι δύσκολο να ξεκινήσει.



ΣΤΑΜΑΤΗΜΑ

- 1) Αφήστε εντελώς το μοχλό του γκαζιού (2), και μετά όταν οι στροφές του κινητήρα χαμηλώσουν, ρυθμίστε το διακόπτη I-O στη θέση ΣΤΑΣΗΣ και ο κινητήρας τώρα θα σταματήσει.
- 2) Έχετε υπόψη ότι η κεφαλή κοπής μπορεί να μην σταματήσει αμέσως και αφήστε την να σταματήσει εντελώς.

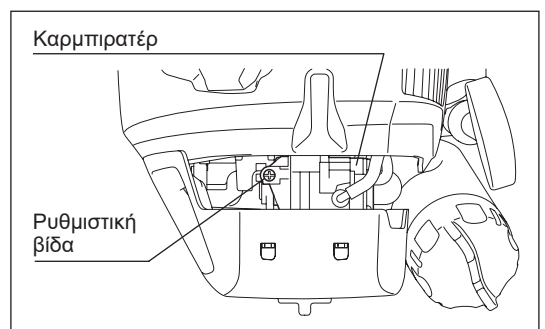


ΡΥΘΜΙΣΗ ΤΗΣ ΠΕΡΙΣΤΡΟΦΗΣ ΧΑΜΗΛΗΣ ΤΑΧΥΤΗΤΑΣ (ΡΕΛΑΝΤΙ)

Όταν είναι απαραίτητο να ρυθμίσετε την περιστροφή χαμηλής ταχύτητας (ρελαντί), εκτελέστε την από τη βίδα ρύθμισης του καρμπυρατέρ.

ΕΛΕΓΧΟΣ ΤΗΣ ΠΕΡΙΣΤΡΟΦΗΣ ΧΑΜΗΛΗΣ ΤΑΧΥΤΗΤΑΣ

- Ρυθμίστε την περιστροφή χαμηλής ταχύτητας στις 3.000 min⁻¹. Εάν είναι απαραίτητο να αλλάξετε την χαμηλή περιστροφική ταχύτητα (ρελαντί), χρησιμοποιήστε ένα κατσαβίδι για βίδες κεφαλής Phillips πάνω στη βίδα που δείχνεται στα δεξιά.
- Στρέψτε την ρυθμιστική βίδα προς τα δεξιά, και η περιστροφή του κινητήρα θα αυξηθεί. Στρέψτε την ρυθμιστική βίδα προς τα αριστερά, και η περιστροφή του κινητήρα θα μειωθεί.
- Το καρμπυρατέρ είναι γενικά ρυθμισμένο πριν την αποστολή. Μετά από την κατανάλωση ορισμένων ρεζερβουάρ βενζίνης οι σαλ του ρελαντί ενδεχομένως και χρειάζονται ρύθμιση.



Η ΝΑΪΛΟΝ ΚΕΦΑΛΗ ΚΟΠΗΣ

Κατά τη λειτουργία, χρησιμοποιήστε την άκρη του νάιλον κοπτικού νήματος για την κοπή.

Τροφοδοσία του νάιλον κοπτικού νήματος

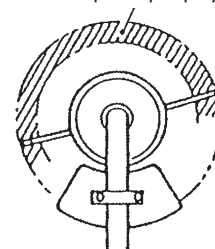
Επειδή το νάιλον κοπτικό νήμα φθείρεται και γίνεται κοντύτερο με τη λειτουργία κοπής, απαιτείται η χειροκίνητη τροφοδοσία του από το χειριστή.

Για την τροφοδοσία του νάιλον κοπτικού νήματος, κτυπήστε την κεφαλή κοπής στο έδαφος καθώς αυτή περιστρέφεται στις 6.000 min⁻¹.

ΣΗΜΕΙΩΣΗ: Αν το νάιλον κοπτικό νήμα δεν τροφοδοτείται προς τα έξω, επανατυλίξτε το.



Η πιο αποτελεσματική περιοχή κοπής



Αντικατάσταση του νάιλον νήματος

⚠ ΠΡΟΕΙΔΟΠΟΙΗΣΗ: Φροντίστε ώστε το κάλυμμα της νάιλον κεφαλής κοπής να είναι στερεωμένο κατάλληλα στη θήκη όπως περιγράφεται παρακάτω. Αν δεν ασφαλίσετε κατάλληλα το κάλυμμα, μπορεί να προκληθεί η εκτόξευση της νάιλον κεφαλής κοπής προκαλώντας το σοβαρό προσωπικό τραυματισμό.

Πιέστε τα μάνδαλα στη θήκη προς τα μέσα και ανυψώστε για να αφαιρέσετε το κάλυμμα. Απορρίψτε το οποιαδήποτε νάιλον νήμα που έχει απομείνει.

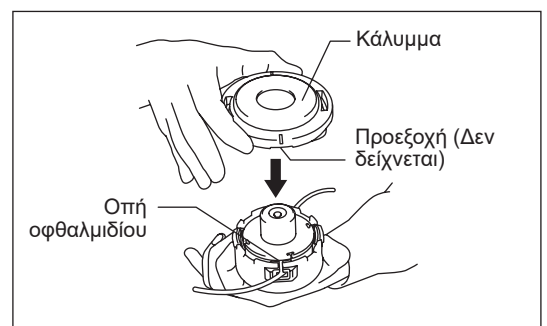
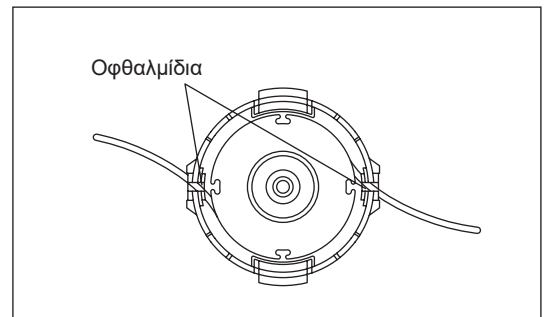
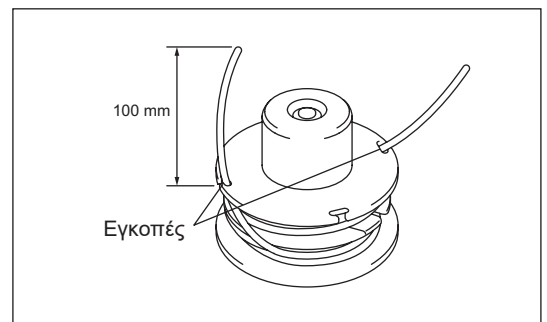
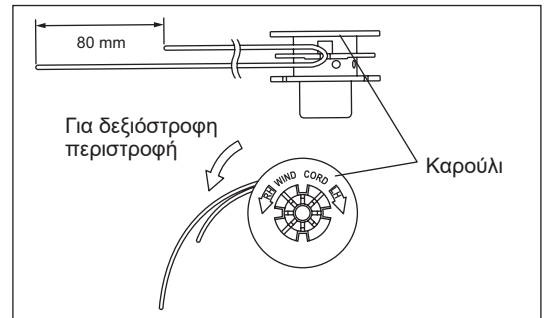
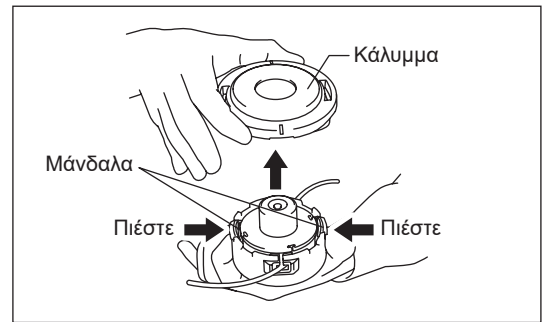
Αγκιστρώστε το κέντρο του καινούργιου νάιλον νήματος στην εγκοπή στο κέντρο του καρουλιού ανάμεσα στα 2 κανάλια που παρέχονται για το νάιλον νήμα. Η μια πλευρά του νήματος πρέπει να είναι 80 χιλ μακρύτερη από την άλλη πλευρά.

Τυλίξτε και τα δυο άκρα καλά γύρω από το καρούλι προς την διεύθυνση που δείχνεται πάνω στην κεφαλή για δεξιόστροφη κατεύθυνση που υποδεικνύεται από το RH.

Τυλίξτε γύρω όλο το νήμα εκτός από ένα μήκος 100 χιλ, αφήνοντας προσωρινά τα αγκιστρωμένα άκρα μέσα στην εγκοπή στο πλάι του καρουλιού.

Στερεώστε το καρούλι μέσα στη θήκη έτσι ώστε οι αυλακώσεις και οι προεξοχές του καρουλιού να ταιριάζουν με αυτές της θήκης. Τώρα, απαγκιστρώστε τα άκρα του νήματος από την προσωρινή τους θέση και περάστε τα νήματα μέσα στα οφθαλμίδια για να βγουν έξω από την θήκη.

Ταιριάστε την προεξοχή στην κάτω πλευρά του καλύμματος με τις εγκοπές των οφθαλμιδίων. Στη συνέχεια σπρώξτε το κάλυμμα καλά πάνω στην θήκη για το ασφαλίσετε. Φροντίστε ώστε τα μάνταλα να εκτίνονται πλήρως πάνω στο κάλυμμα.



ΠΡΟΣΟΧΗ: Πριν κάνετε την οποιαδήποτε εργασία πάνω στη συσκευή, πάντοτε να σταματάτε τον κινητήρα και να αποσυνδέετε την πίπα του μπουζί από το μπουζί (δείτε την ενότητα “έλεγχος του μπουζί”).
Να φοράτε πάντα προστατευτικά γάντια!

Για την διασφάλιση της μεγάλης διάρκειας ζωής και της αποφυγής της ζημιάς στη συσκευή, εκτελείτε κατά τακτά διαστήματα τις παρακάτω εργασίες συντήρησης.

Καθημερινός έλεγχος και συντήρηση

- Πριν την λειτουργία, ελέγξτε την συσκευή για ξεσφιγμένες βίδες ή εξαρτήματα που λείπουν. Δώστε ιδιαίτερη προσοχή στο σφίξιμο της νάιλον κεφαλής κοπής.
- Πριν από την λειτουργία, πάντοτε να ελέγχετε για την ύπαρξη βουλώματος στους αεραγωγούς ψύξης και στα πτερύγια του κυλίνδρου. Καθαρίστε τα εάν είναι απαραίτητο.
- Εκτελέστε τις παρακάτω εργασίες συντήρησης καθημερινά μετά την χρήση:
 - Καθαρίστε εξωτερικά τη συσκευή και επιθεωρήστε τη για την ύπαρξη ζημιάς.
 - Καθαρίστε το φίλτρο αέρα. Κατά την εργασία υπό συνθήκες με πολύ σκόνη, καθαρίστε το φίλτρο αρκετές φορές την μέρα.
 - Ελέγξτε την νάιλον κεφαλή κοπής για ζημιά και βεβαιωθείτε ότι είναι καλά στερεωμένη.
 - Ελέγξτε για να διαπιστώσετε ότι υπάρχει επαρκής διαφορά μεταξύ των ταχυτήτων του ρελαντί και της λειτουργίας και να διασφαλίσετε ότι το κοπτικό προσάρτημα είναι σταματημένο όταν ο κινητήρας βρίσκεται στο ρελαντί (εάν είναι απαραίτητο, ελαττώστε την ταχύτητα του ρελαντί). Εάν στο ρελαντί το εργαλείο συνεχίσει να λειτουργεί, συμβουλευτείτε τον εξουσιοδοτημένο αντιπρόσωπο του σέρβις.
- Ελέγξτε για να διαπιστώσετε ότι ο διακόπτης I-O, ο μοχλός κλειδώματος, ο μοχλός γκαζιού, και το κουμπί ασφάλισης λειτουργούν σωστά.

ΑΝΤΙΚΑΤΑΣΤΑΣΗ ΤΟΥ ΛΑΔΙΟΥ ΤΟΥ ΚΙΝΗΤΗΡΑ

Το αλλοιωμένο λάδι θα μειώσει τη διάρκεια ζωής του κινητήρα. Φροντίστε να ελέγχετε το λάδι και τη στάθμη τακτικά.



ΠΡΟΣΟΧΗ: Γενικά, η κύρια μονάδα του κινητήρα και το λάδι του κινητήρα παραμένουν ακόμη ζεστά αμέσως μετά το σταμάτημα του κινητήρα. Κατά την αντικατάσταση του λαδιού, βεβαιωθείτε ότι η κύρια μονάδα του κινητήρα και το λάδι του κινητήρα έχουν επαρκώς κρυώσει. Διαφορετικά υπάρχει ο κίνδυνος εγκαύματος.

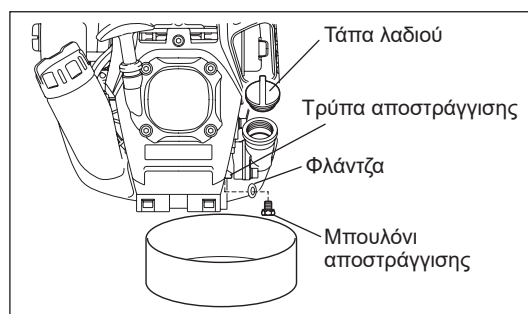
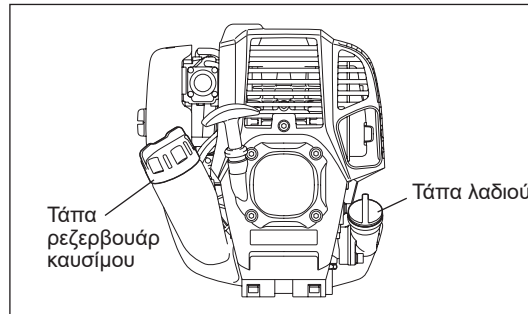
ΣΗΜΕΙΩΣΗ: Εάν το λάδι γεμίσει πάνω από το όριο, το λάδι μπορεί να ρυπανθεί ή να πιάσει φωτιά με άσπρο καπνό.

Διάστημα αντικατάστασης: Μετά από τις πρώτες 20 ώρες λειτουργίας και ακολούθως κάθε 50 ώρες λειτουργίας.

Συνιστώμενο λάδι: SAE 10W-30 λάδι Κατηγορίας API Κλάση SF ή υψηλότερη (4-χρονος κινητήρας για αυτοκίνητα)

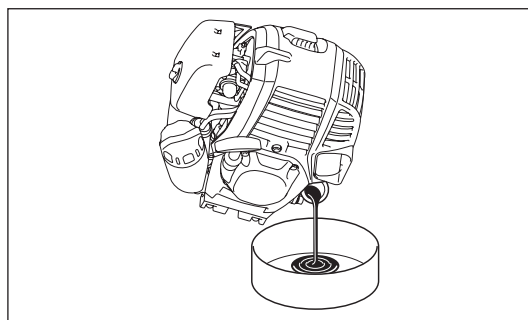
Κατά την αντικατάσταση εκτελέστε την παρακάτω διαδικασία.

- 1) Φροντίστε ώστε η τάπα του ρεζερβουάρ καυσίμου να είναι καλά σφιγμένη.
- 2) Τοποθετήστε ένα μεγάλο δοχείο (λεκάνη, κτλ) κάτω από την τρύπα αποστράγγισης.
- 3) Αφαιρέστε το μπουλόνι αποστράγγισης και στη συνέχεια αφαιρέστε την τάπα του λαδιού για να αποστραγγιστεί το λάδι από την τρύπα αποστράγγισης.
Τη στιγμή αυτή, φροντίστε ώστε να μην χάσετε τη φλάντζα του μπουλονιού αποστράγγισης ή να μην κολλήσει βρωμιά πάνω στα εξαρτήματα που έχουν αφαιρεθεί.
- 4) Όταν αποστραγγιστεί όλο το λάδι, τοποθετήστε τη φλάντζα και το μπουλόνι αποστράγγισης και στερεώστε καλά το μπουλόνι αποστράγγισης έτσι ώστε να μην μπορεί να ξεσφίξει και να προκαλέσει διαρροές.
* Χρησιμοποιώντας ένα ύφασμα σκουπίστε το λάδι που τυχόν υπάρχει πάνω στο μπουλόνι ή στη συσκευή.

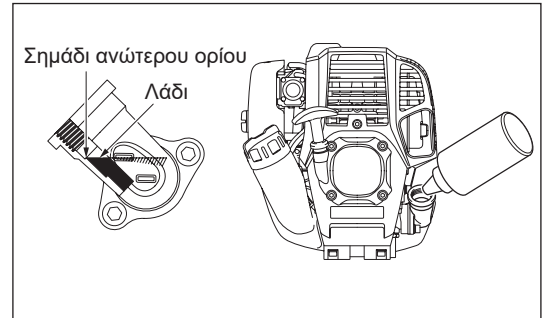
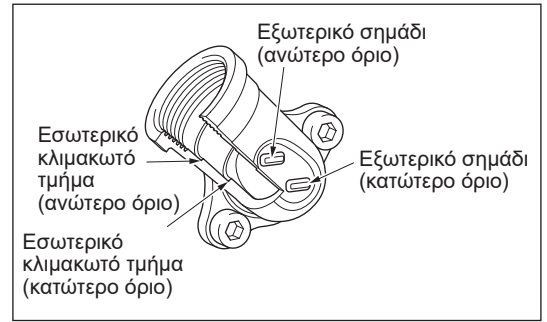


Εναλλακτική μέθοδος αποστράγγισης

Αφαιρέστε τη τάπα του λαδιού, δώστε κλίση στη συσκευή προς το μέρος της τρύπας του πληρωτή λαδιού και στη συνέχεια, αποστραγγίστε έξω το λάδι. Συλλέξτε το λάδι στο δοχείο.



- 5) Τοποθετήστε επίπεδα τον κινητήρα και στη συνέχεια, γεμίστε βαθμιαία έως τη σήμανση του ανώτερου ορίου με καινούργιο λάδι.
- 6) Μετά το γέμισμα, σφίξτε καλά την τάπα του λαδιού έτσι ώστε να μην ξεσφίξει και προκαλέσει διαρροές.
Εάν η τάπα του λαδιού δεν στερεωθεί καλά μπορεί να προκληθεί διαρροή.



ΣΗΜΕΙΩΣΕΙΣ ΓΙΑ ΤΟ ΛΑΔΙ

- Ποτέ να μην πετάξετε το παλιό λάδι στα σκουπίδια, στο έδαφος ή στην αποχέτευση. Η απόρριψη του λαδιού υπόκειται στην νομοθεσία. Κατά την απόρριψη, πάντοτε να ακολουθείτε τους σχετικούς νόμους και κανονισμούς. Εάν δεν γνωρίζετε κάποια στοιχεία, επικοινωνήστε με τον εξουσιοδοτημένο αντιπρόσωπο του σέρβις.
- Το λάδι θα αλλοιωθεί ακόμη και αν το φυλάξετε αχρησιμοποίητο. Εκτελέστε τον έλεγχο και την αντικατάσταση σε τακτά διαστήματα (αντικαταστήστε με καινούργιο λάδι κάθε 6 μήνες).

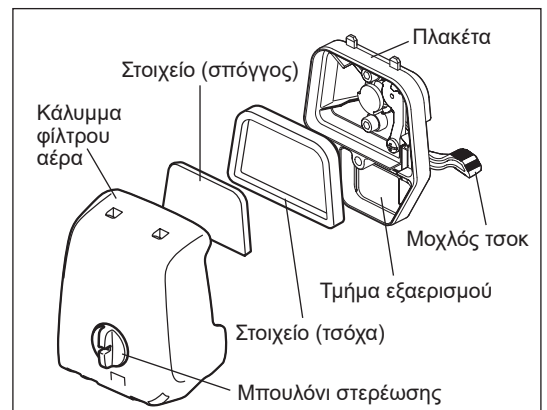
ΚΑΘΑΡΙΣΜΟΣ ΦΙΛΤΡΟΥ ΑΕΡΑ



ΠΡΟΕΙΔΟΠΟΙΗΣΗ: Σβήστε τον κινητήρα, να είστε μακριά από τις γυμνές φλόγες και να μην καπνίζετε.

Χρονικό διάστημα καθαρισμού και επιθεώρησης: Καθημερινά (κάθε 10 ώρες λειτουργίας)

- Στρέψτε το μοχλό του τσοκ στην πλήρως κλειστή πλευρά και κρατήστε το καρμπυρατέρ καθαρό από βρωμιά ή σκόνη.
- Ξεσφίξτε το μπουλόνι στερέωσης.
- Αφαιρέστε το κάλυμμα του φίλτρου αέρα τραβώντας την πίσω πλευρά του.
- Αφαιρέστε τα στοιχεία και χτυπήστε τα ελαφρά για να αφαιρέσετε τις βρωμιές.
- Εάν τα στοιχεία είναι πάρα πολύ ρυπαρά:
Αφαιρέστε τα στοιχεία, βυθίστε τα σε ζεστό νερό ή σε νερό με διαλυμένο ουδέτερο απορρυπαντικό, και στεγνώστε τα εντελώς. Μην τα πιέζετε και μην τα τρίβετε κατά το πλύσιμο.
- Πριν συνδέσετε τα στοιχεία, φροντίστε να τα στεγνώστε αμέσως. Το ανεπαρκές στέγνωμα των στοιχείων μπορεί να οδηγήσει στη δυσκολία στην εκκίνηση.
- Σκουπίστε με ένα άχρηστο πανί το λάδι που είναι κολλημένο γύρω από το κάλυμμα του φίλτρου αέρα και το τμήμα του τμήματος αερισμού.
- Τοποθετήστε το στοιχείο (σπόγγος) μέσα στο στοιχείο (τσόχα). Τοποθετήστε τα στοιχεία μέσα στην πλακέτα έτσι ώστε ο σπόγγος να βλέπει προς το κάλυμμα του φίλτρου αέρα.
- Αμέσως συνδέστε το κάλυμμα του φίλτρου και σφίξτε το με τα μπουλόνια στερέωσης. (Κατά την επανατοποθέτηση, πρώτα τοποθετήστε την πάνω προεξοχή, και στη συνέχεια την κάτω προεξοχή.)



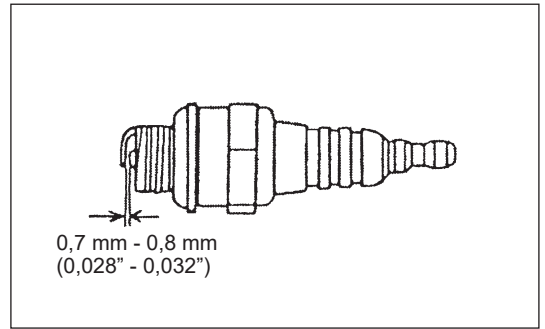
ΣΗΜΕΙΩΣΕΙΣ:

- Καθαρίστε τα στοιχεία αρκετές φορές την ημέρα, εάν κολλάει πάνω τους υπερβολική σκόνη. Τα βρώμικα στοιχεία μειώνουν την ισχύ του κινητήρα και δυσχεραίνουν την εκκίνηση του κινητήρα.
- Αφαιρέστε το λάδι από τα στοιχεία. Εάν συνεχιστεί η λειτουργία με τα στοιχεία να παραμένουν βρώμικα από λάδι, το λάδι από το φίλτρο αέρα μπορεί να πέσει έξω, ρυπαίνοντας έτσι το περιβάλλον.
- Μην τοποθετείτε τα στοιχεία στο έδαφος ή σε βρώμικο σημείο.
Διαφορετικά, μαζεύουν σκόνη ή θραύσματα και μπορεί να προκληθεί βλάβη στον κινητήρα.
- Ποτέ να μην χρησιμοποιείτε καύσιμα για τον καθαρισμό των στοιχείων. Τα καύσιμα μπορεί να προκαλέσουν βλάβη σε αυτά.

ΕΛΕΓΧΟΣ ΤΟΥ ΜΠΟΥΖΙ

- Χρησιμοποιήστε μόνο το παρεχόμενο κλειδί γενικής χρήσης για την αφαίρεση ή την τοποθέτηση του μπουζί.
- Το διάκενο μεταξύ των δυο ηλεκτροδίων του μπουζί πρέπει να είναι 0,7 - 0,8 mm (0,028" - 0,032"). Διορθώστε το διάκενο εάν είναι πολύ μεγάλο ή μικρό. Εάν το μπουζί είναι βουλωμένο ή ρυπαρό, καθαρίστε το καλά ή αντικαταστήστε το.

⚠ ΠΡΟΣΟΧΗ: Ποτέ να μην αγγίζετε το σύνδεσμο του μπουζί καθώς λειτουργεί ο κινητήρας (υπάρχει κίνδυνος ηλεκτροπληξίας από την υψηλή τάση).



ΚΑΘΑΡΙΣΜΑ ΦΙΛΤΡΟΥ ΚΑΥΣΙΜΟΥ

⚠ ΠΡΟΕΙΔΟΠΟΙΗΣΗ: ΟΙ ΕΥΦΛΕΚΤΕΣ ΟΥΣΙΕΣ ΑΠΑΓΟΡΕΥΟΝΤΑΙ ΑΥΣΤΗΡΑ

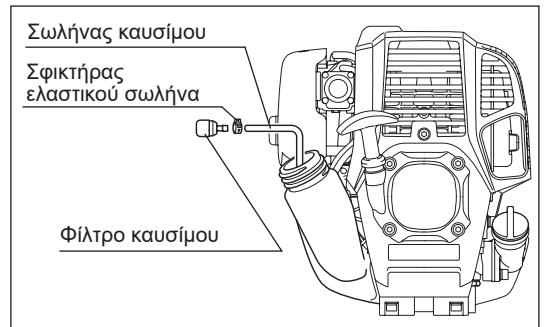
Χρονικό διάστημα καθαρισμού και επιθεώρησης: Μηνιαία (κάθε 50 ώρες λειτουργίας)

Κεφαλή αναρρόφησης στο ρεζερβουάρ καυσίμου

Ελέγξτε περιοδικά το φίλτρο καυσίμου. Για να ελέγξετε το φίλτρο καυσίμου, ακολουθήστε τα παρακάτω βήματα.

- (1) Αφαιρέστε το καπάκι του ρεζερβουάρ καυσίμου, και αποστραγγίστε το καύσιμο για να αδειάσετε το ρεζερβουάρ. Ελέγξτε το εσωτερικό του ρεζερβουάρ για τυχόν ξένα υλικά. Εάν υπάρχουν, αφαιρέστε τα.
- (2) Χρησιμοποιήστε ένα συρματένιο άγκιστρο και τραβήξτε έξω την κεφαλή αναρρόφησης μέσα από το άνοιγμα του ρεζερβουάρ.
- (3) Εάν το φίλτρο καυσίμου έχει βουλώσει ελαφρώς, καθαρίστε το. Για να το καθαρίσετε, ανακινήστε το μαλακά και χτυπήστε το ελαφρά στο καύσιμο. Για την αποφυγή ζημιάς, μην το πιέσετε ή το τρίψετε. Το καύσιμο που χρησιμοποιείται για τον καθαρισμό πρέπει να απορρίπτεται σύμφωνα με τη μέθοδο που καθορίζεται από τους κανονισμούς της χώρας σας. Εάν το φίλτρο καυσίμου έχει σκληρύνει ή βουλώσει πολύ, αντικαταστήστε το.
- (4) Μετά τον έλεγχο, τον καθαρισμό ή την αντικατάσταση, πιέστε το φίλτρο καυσίμου μέχρι τέρμα στο κάτω μέρος του ρεζερβουάρ καυσίμου.

Το βουλωμένο ή φθαρμένο φίλτρο καυσίμου μπορεί να προκαλέσει ανεπαρκή τροφοδοσία καυσίμου και να μειώσει την ισχύ του κινητήρα. Αντικαταστήστε το φίλτρο καυσίμου τουλάχιστον κάθε τρεις μήνες για να εξασφαλίσετε την ικανοποιητική τροφοδοσία καυσίμου στο καρμπιρατέρ.



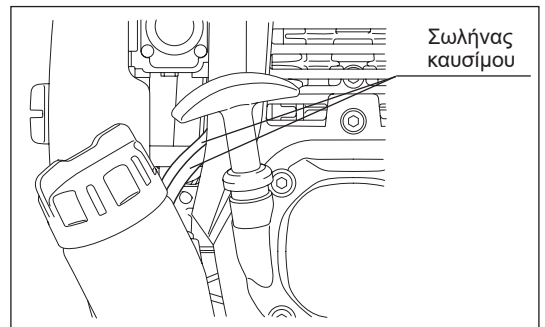
ΑΝΤΙΚΑΤΑΣΤΑΣΗ ΤΗΣ ΣΩΛΗΝΑΣ ΚΑΥΣΙΜΟΥ

⚠ ΠΡΟΣΟΧΗ: ΟΙ ΕΥΦΛΕΚΤΕΣ ΟΥΣΙΕΣ ΑΠΑΓΟΡΕΥΟΝΤΑΙ ΑΥΣΤΗΡΑ

Χρονικό διάστημα καθαρισμού και επιθεώρησης: Καθημερινά (κάθε 10 ώρες λειτουργίας)

Αντικατάσταση: Ετήσια (κάθε 200 ώρες λειτουργίας)

Αντικαταστήστε την σωλήνα καυσίμου κάθε χρόνο, ανεξάρτητα από την συχνότητα χρήσης. Η διαρροή καυσίμου μπορεί να οδηγήσει στην πυρκαγιά. Εάν ανιχνευτεί η οποιαδήποτε διαρροή κατά την επιθεώρηση, αντικαταστήστε αμέσως την σωλήνα καυσίμου.



ΕΠΙΘΕΩΡΗΣΗ ΜΠΟΥΛΟΝΙΩΝ, ΠΑΞΙΜΑΔΙΩΝ ΚΑΙ ΒΙΔΩΝ

- Σφίξτε ξανά τα χαλαρά μπουλόνια, παξιμάδια κτλ.
- Ελέγξτε το σφίξιμο της τάπας καυσίμου και της τάπας λαδιού. Ελέγξτε την περίπτωση διαρροής καυσίμου και λαδιού.
- Αντικαταστήστε τα φθαρμένα εξαρτήματα με καινούργια για μια ασφαλή λειτουργία.

ΚΑΘΑΡΙΣΜΟΣ ΕΞΑΡΤΗΜΑΤΩΝ

- Πάντοτε να διατηρείτε τον κινητήρα καθαρό.
- Διατηρήστε τα πτερύγια του κυλίνδρου και την είσοδο του αέρα καθαρά από σκόνη ή βρωμιά. Η κολλημένη σκόνη ή βρωμιά στα πτερύγια θα προκαλέσει το σφίγνυμα του πιστονιού.

ΑΝΤΙΚΑΤΑΣΤΑΣΗ ΦΛΑΝΤΖΩΝ ΚΑΙ ΣΤΟΙΧΕΙΩΝ ΣΥΝΑΡΜΟΛΟΓΗΣΗΣ

Κατά την επανασυναρμολόγηση του κινητήρα, φροντίστε να αντικαταστήσετε όλες τις φλάντζες και τα στοιχεία συναρμολόγησης με καινούργια. Η οποιαδήποτε εργασία συντήρησης που δεν συμπεριλαμβάνεται και δεν περιγράφεται σε αυτό το εγχειρίδιο θα πρέπει να εκτελείται μόνο από τους εξουσιοδοτημένους αντιπροσώπους του σέρβις.

ΑΠΟΘΗΚΕΥΣΗ



ΠΡΟΕΙΔΟΠΟΙΗΣΗ: Κατά την αποστράγγιση του καυσίμου, φροντίστε να είναι σταματημένος ο κινητήρας και να είναι κρύος. Μετά το σταμάτημα, ο κινητήρας μπορεί να είναι ακόμη ζεστός με την πιθανότητα πρόκλησης εγκαύματος, αναφλεξιμότητας και πυρκαγιάς.



ΠΡΟΣΟΧΗ: Όταν το μηχάνημα πρόκειται να μείνει εκτός λειτουργίας για μεγάλο χρονικό διάστημα, αποστραγγίστε όλο το καύσιμο από το ρεζερβουάρ καυσίμου και το καρμπυρατέρ, και στην συνέχεια φυλάξτε το σε ένα ξηρό και καθαρό μέρος.

- Αποστραγγίστε το καύσιμο από το ρεζερβουάρ καυσίμου και το καρμπυρατέρ σύμφωνα με την παρακάτω διαδικασία:
 - 1) Αφαιρέστε το καπάκι του ρεζερβουάρ καυσίμου, και αποστραγγίστε εντελώς το καύσιμο. Εάν υπάρχει το οποιοδήποτε ξένο σώμα μέσα στο ρεζερβουάρ καυσίμου, αφαιρέστε το εντελώς.
 - 2) Τραβήξτε έξω το φίλτρο καυσίμου από την τρύπα ανεφοδιασμού χρησιμοποιώντας ένα σύρμα.
 - 3) Σπρώξτε την αντλία προέγχυσης έως ότου αποστραγγιστεί το καύσιμο από εκεί, και το αποστραγγισμένο καύσιμο να μπει μέσα στο ρεζερβουάρ καυσίμου.
 - 4) Τοποθετήστε το φίλτρο στο ρεζερβουάρ καυσίμου, και σφίξτε καλά το καπάκι του ρεζερβουάρ καυσίμου.
 - 5) Στη συνέχεια συνεχίστε να λειτουργείτε τον κινητήρα έως ότου σταματήσει.
- Αφαιρέστε το μπουζί και ρίξτε αρκετές σταγόνες λαδιού κινητήρα μέσα στην τρύπα του μπουζί.
- Τραβήξτε με προσοχή το χερούλι του εκκινήτρια έτσι ώστε το λάδι του κινητήρα να απλωθεί πάνω από τον κινητήρα και συνδέστε το μπουζί.
- Σε γενικές γραμμές, αποθηκεύστε το μηχάνημα σε οριζόντια θέση ή αν αυτό δεν είναι δυνατό, τοποθετήστε το μηχάνημα, έτσι ώστε ο κινητήρας να βρίσκεται κάτω από το εργαλείο κοπής. Σε διαφορετική περίπτωση το λάδι του κινητήρα μπορεί να διαρρεύσει από το εσωτερικό. Δώστε μεγάλη προσοχή στο πως αποθηκεύετε το μηχάνημα για να αποτραπεί η πτώση του μηχανήματος. Διαφορετικά, μπορεί να προκληθεί προσωπικός τραυματισμός.
- Διατηρήστε το αποστραγγισμένο καύσιμο μέσα σε ένα ειδικό δοχείο σε ένα καλά αεριζόμενο χώρο υπό σκιά.

Προσοχή μετά από μια παρατεταμένη αποθήκευση

- Πριν την εκκίνηση μετά από ένα παρατεταμένο διάστημα διακοπής, φροντίστε να αντικαταστήσετε το λάδι (ανατρέξτε στη Σ 158). Το λάδι θα αλλοιωθεί κατά το διάστημα στο οποίο το μηχάνημα δεν βρίσκεται σε λειτουργία.

Εντοπισμός σφάλματος

Σφάλμα	Σύστημα	Παρατήρηση	Αιτία
Ο κινητήρας δεν ξεκινά ή ξεκινά με δυσκολία	Σύστημα ανάφλεξης	Σπινθήρας ανάφλεξης ΕΝΤΑΞΕΙ Δεν υπάρχει σπινθήρας ανάφλεξης	Σφάλμα στην παροχή καυσίμου ή στο σύστημα συμπίεσης, μηχανική βλάβη Ο διακόπτης ΣΤΑΣΗΣ είναι ενεργοποιημένος, σφάλμα καλωδίωσης ή βραχυκύκλωμα, ελαττωματικό μπουζί ή σύνδεσμος, βλάβη στο σύστημα ανάφλεξης
	Τροφοδοσία καυσίμου	Γεμάτο ρεζερβουάρ καυσίμου	Λανθασμένη θέση του τσοκ, ελαττωματικό καρμπυρατέρ, σωλήνας παροχής καυσίμου λυγισμένος ή μπλοκαρισμένος, βρώμικο καύσιμο
	Συμπίεση	Καμιά συμπίεση κατά το τράβηγμα	Ελαττωματική η κάτω στεγανοποιητική φλάντζα του κυλίνδρου, φθαρμένα στεγανοποιητικά του στροφαλοφόρου, ελαττωματικοί δακτύλιοι του κυλίνδρου ή του πιστονιού ή ακατάλληλη στεγανοποίηση του μπουζί
	Μηχανική βλάβη	Ο εκκινήτριας δεν λειτουργεί	Σπασμένο ελατήριο του εκκινήτρια, σπασμένα εξαρτήματα μέσα στον κινητήρα
Προβλήματα θερμής εκκίνησης		Γεμάτο το ρεζερβουάρ ύπαρξη σπίθας ανάφλεξης	Ρυπαρό καρμπυρατέρ, καθαρίστε το
Ο κινητήρας ξεκινά αλλά σβήνει	Τροφοδοσία καυσίμου	Ρεζερβουάρ γεμάτο	Λανθασμένη ρύθμιση του καρμπυρατέρ, βρώμικο καρμπυρατέρ Ελαττωματικό άνοιγμα του ρεζερβουάρ καυσίμου, διακοπή στο σωλήνα παροχής καυσίμου, ελαττωματικό καλώδιο ή διακόπτης ΣΤΑΣΗΣ
Ανεπαρκής απόδοση	Πολλά συστήματα μπορεί να είναι ταυτόχρονα ελαττωματικά	Ανεπαρκές ρελαντί του κινητήρα	Βρώμικο φίλτρο αέρα, βρώμικο καρμπυρατέρ, σιγαστήρας βουλωμένος, αγωγός εξάτμισης βουλωμένος

Χρόνος λειτουργίας Στοιχείο		Πριν	Μετά τη	Καθημερινά	30 ώρες	50 ώρες	200 ώρες	Παύση/ αποθήκευση	Αντίστοιχη Σ
		τη λειτουργία	λειτουργία	(10 ώρες)					
Λάδι κινητήρα	Επιθεώρηση/ καθαρισμός	○							153
	Αντικατάσταση					○*1			158
Σφίξιμο εξαρτημάτων (μπουλόνι, παξιμάδι)	Επιθεώρηση	○							160
Ρεζερβουάρ καυσίμου	Καθάρισμα/ επιθεώρηση	○							—
	Αποστράγγιση καυσίμου							○*3	161
Μοχλός γκαζιού	Έλεγχος λειτουργίας		○						—
Διακόπτης διακοπής	Έλεγχος λειτουργίας		○						156
Εξάρτημα κοπής	Επιθεώρηση	○		○					152
Περιστροφή χαμηλής ταχύτητας	Επιθεώρηση/ ρύθμιση			○					156
Φίλτρο αέρα	Καθαρίστε			○					159
Μπουζί	Επιθεώρηση			○					160
Ψυκτική είσοδος αέρα	Καθάρισμα/ επιθεώρηση			○					160
Σωλήνας καυσίμου	Επιθεώρηση			○					160
	Αντικατάσταση						◎*2		—
Φίλτρο καυσίμου	Καθαρισμός/ αντικατάσταση					○			160
Διάκενο μεταξύ της βαλβίδας εισαγωγής και της βαλβίδας εκκένωσης	Ρυθμίστε						◎*2		—
Λεπτομερής επιθεώρηση κινητήρα							◎*2		—
Καρμπιρατέρ	Αποστράγγιση καυσίμου							○*3	161

*1 Εκτελέστε την αρχική αντικατάσταση μετά από 20 ώρες λειτουργίας.

*2 Για την επιθεώρηση των 200 ωρών, απευθυνθείτε σε ένα Εξουσιοδοτημένο Αντιπρόσωπο του Σέρβις ή σε ένα συνεργείο.

*3 Μετά το άδειασμα του ρεζερβουάρ καυσίμου, συνεχίστε τη λειτουργία του κινητήρα για την αποστράγγιση του καυσίμου στο καρμπιρατέρ.

ΕΠΙΛΥΣΗ ΠΡΟΒΛΗΜΑΤΩΝ

Πριν ζητήσετε βοήθεια για επισκευές, ελέγξτε το πρόβλημα μόνοι σας. Εάν βρεθεί κάποια ανωμαλία, χειριστείτε το μηχάνημά σας σύμφωνα με τα όσα περιγράφονται σε αυτό το εγχειρίδιο. Ποτέ μην προσπαθήσετε να αποσυναρμολογήσετε το οποιοδήποτε εξάρτημα ενάντια σε όσα περιγράφονται. Για επισκευές, ελάτε σε επαφή με τον εξουσιοδοτημένο αντιπρόσωπο του σέρβις ή την τοπική αντιπροσωπεία.

Κατάσταση προβλήματος	Πιθανή αιτία (δυσλειτουργία)	Αποκατάσταση
Ο κινητήρας δεν ξεκινά	Αστοχία λειτουργίας της αντλίας προέγχυσης	Σπρώξτε 7 με 10 φορές.
	Χαμηλή ταχύτητα τραβήγματος του κορδονιού του εκκινητήρα	Τραβήξτε πιο δυνατά
	Έλλειψη καυσίμου	Προσθέστε καύσιμο
	Βουλωμένο φίλτρο καυσίμου	Καθαρίστε
	Λυγισμένους σωλήνας καυσίμου	Ισιώστε το σωλήνα καυσίμου
	Αλλοιωμένο καύσιμο	Το αλλοιωμένο καύσιμο καθιστά την εκκίνηση πιο δύσκολη. Αντικαταστήστε με καινούργιο καύσιμο. (Συνιστώμενη αντικατάσταση: 1 μήνας)
	Αποσυνδεδεμένο καπάκι του μπουζί	Συνδέστε τον καλά
	Ρυπαρό μπουζί	Καθαρίστε
	Μη φυσιολογικό διάκενο του μπουζί	Ρυθμίστε το διάκενο
	Άλλη ανωμαλία του μπουζί	Αντικατάσταση
	Μη φυσιολογικό καρμπιρατέρ	Ζητήστε την επιθεώρηση και συντήρηση.
	Το κορδόνι του εκκινητήρα δεν μπορεί να τραβηχτεί	Ζητήστε την επιθεώρηση και συντήρηση.
	Μη φυσιολογικό σύστημα μετάδοσης	Ζητήστε την επιθεώρηση και συντήρηση.
Ο κινητήρας σταματά γρήγορα Η ταχύτητα του κινητήρα δεν αυξάνεται	Ανεπαρκές ζέσταμα	Εκτελέστε την λειτουργία προθέρμανσης
	Ο μοχλός του τσοκ είναι τοποθετημένος στο "ΚΛΕΙΣΤΟ" παρότι έχει ζεσταθεί ο κινητήρας.	Τοποθετήστε στο "ΑΝΟΙΚΤΟ"
	Βουλωμένο φίλτρο καυσίμου	Καθαρισμός ή αντικατάσταση
	Ρυπαρό ή βουλωμένο φίλτρο αέρα	Καθαρίστε
	Μη φυσιολογικό καρμπιρατέρ	Ζητήστε την επιθεώρηση και συντήρηση.
Το κοπτικό προσάρτημα δεν περιστρέφεται.	Μη φυσιολογικό σύστημα μετάδοσης	Ζητήστε την επιθεώρηση και συντήρηση.
	Το κοπτικό προσάρτημα δεν είναι σφιγμένο καλά.	Σφίξτε καλά το κοπτικό προσάρτημα.
	Έχει μπλοκάρει ένα κλαδί μεταξύ του κοπτικού προσαρτήματος και του προφυλακτήρα.	Αφαιρέστε το ξένο αντικείμενο.
<div style="border: 1px solid black; padding: 2px; width: fit-content; margin: 5px auto;">Σταματήστε τον κινητήρα αμέσως</div>	Το σύστημα κίνησης δεν λειτουργεί σωστά.	Ζητήστε από ένα εξουσιοδοτημένο κέντρο σέρβις της Makita να το επιθεωρήσει και να το επισκευάσει.
	Έχει σπάσει το κοπτικό προσάρτημα.	Αντικαταστήστε το κοπτικό προσάρτημα με ένα καινούργιο.
	Το κοπτικό προσάρτημα δεν είναι σφιγμένο καλά.	Σφίξτε καλά το κοπτικό προσάρτημα.
<div style="border: 1px solid black; padding: 2px; width: fit-content; margin: 5px auto;">Σταματήστε τον κινητήρα αμέσως</div>	Ένα μέρος του νάιλον κοπτικού νήματος έχει σπάσει και η νάιλον κεφαλή κοπής δεν έχει ισορροπία.	Τροφοδοτήστε το νάιλον κοπτικό νήμα κτυπώντας την νάιλον κεφαλή κοπής στο έδαφος.
	Το σύστημα κίνησης δεν λειτουργεί σωστά.	Ζητήστε από ένα εξουσιοδοτημένο κέντρο σέρβις της Makita να το επιθεωρήσει και να το επισκευάσει.
	Το κοπτικό προσάρτημα δεν σταματά.	Ανατρέξτε στο εγχειρίδιο χειρισμού της βενζινοκίνητης μονάδας.
<div style="border: 1px solid black; padding: 2px; width: fit-content; margin: 5px auto;">Σταματήστε τον κινητήρα αμέσως</div>	Η βενζινοκίνητη μονάδα δεν λειτουργεί σωστά.	Ανατρέξτε στο εγχειρίδιο χειρισμού της βενζινοκίνητης μονάδας.
	Ο κινητήρας δεν σταματά	Αποκολλημένος συνδετήρας
<div style="border: 1px solid black; padding: 2px; width: fit-content; margin: 5px auto;">Λειτουργήστε τον κινητήρα στο ρελαντί και τοποθετήστε τον μοχλό του τσοκ στο ΚΛΕΙΣΤΟ</div>	Μη φυσιολογικό ηλεκτρικό σύστημα	Ζητήστε την επιθεώρηση και συντήρηση.
	Το νάιλον κοπτικό νήμα δεν τροφοδοτείται.	Το νήμα έχει εξαντληθεί ή έχει μπλοκάρει στο καρούλι.
Το νάιλον κοπτικό νήμα δεν κόβεται στο σωστό μήκος.	Ο κόφτης του νήματος στον προφυλακτήρα έχει πάθει ζημιά ή δεν υπάρχει.	Ζητήστε από ένα εξουσιοδοτημένο κέντρο εξυπηρέτησης της Makita να αντικαταστήσει τον κόφτη του νήματος.
	Το νήμα προεκτεινόμενο περνά τον προφυλακτήρα.	Επανατυλίξτε το νήμα.

Όταν ο κινητήρας δεν ξεκινά μετά την λειτουργία προθέρμανσης:

Εάν δεν υπάρχει καμία ανωμαλία στα σημεία ελέγχου, ανοίξτε το γκάζι περίπου στο 1/3 και ξεκινήστε τον κινητήρα.

MAKITA Benzinli Misinalı Yan Tırpanı satın aldığınız için teşekkür ederiz. Uzun bir geliştirme programının ve yılların bilgi ve birikiminin bir sonucu olarak ortaya çıkan bu MAKITA ürününü sizlere sunmaktan dolayı mutluluk duyuyoruz. Makinenin üstün performansta kullanılması için birçok konuyla ilgili ayrıntılı bilgilerin bulunduğu bu kılavuzu lütfen dikkatli bir şekilde okuyun. Bu kılavuz, MAKITA ürününden mümkün olan en iyi sonuçları almanıza yardımcı olacaktır.



İçindekiler

Sayfa

Simgeler	164
Güvenlik talimatları	165
Teknik veriler	168
Parçaların gösterimi	169
Sapın takılması	170
Koruyucunun takılması	170
Misinali kesme başlığinin takılması	170
Çalışmaya başlamadan önce	171
Çalıştırma ve durdurmayla ilgili uyarılar	173
Misinali kesme başlığı	174
Servis talimatları	176
Saklama	179

SİMGELER

Bu kullanım kılavuzunu okurken karşılaşılabileceğiniz simgeler aşağıda açıklanmıştır.

	Kullanım kılavuzunu okuyun ve uyarı ve güvenlik önlemlerini dikkate alın!		Koruyucu baret, gözlük ve kulaklık kullanın.
	Gerekli Önlemleri alın ve dikkatli olun!		İzin verilen maksimum makine hızı max 10000min ⁻¹
	Yasak!		Yakıt (Benzin)
	Mesafe bırakın!		Motorun manuel çalıştırılması
	Sıçrayan yabancı madde tehlikesi!		Acil durdurma
	Sigara içmek yasaktır!		İlk Yardım
	Açık alev yasaktır!		AÇIK/ÇALIŞIYOR
	Mutlaka koruyucu eldiven takılmalıdır!		KAPALI/DURUYOR
	Altı kaymayan sağlam ayakkabılar giyin. Çelik uçlu koruyucu ayakkabılar tavsiye edilir!		Kesinlikle metal bıçaklar kullanmayın
	İnsanları ve hayvanları çalışma alanından uzak tutun!		

GÜVENLİK TALİMATLARI

Genel Talimatlar

- Makinenin nasıl çalıştırılacağını öğrenmek için bu kullanım kılavuzunu okuyun. Yetersiz bilgiye sahip kullanıcılar, yanlış kullanım neticesinde hem kendilerini, hem de başkalarını tehlikeye atarlar.
- Bu makinenin yalnızca deneyimi olan kişilere verilmesi önerilir. Her zaman kullanım kılavuzunu da makineyle birlikte verin.
- Benzinli misinalı yan tırpanı ilk defa kullanacak olanlar, tanıtması ve nasıl kullanılacağı konusunda temel bilgiler vermesi için satıcısına danışmalıdır.
- Çocuklar ve 18 yaşının altındaki gençlerin bu makineyi kullanmasına kesinlikle izin verilmemelidir. 16 yaşının üzerindeki gençler bu makineyi deneyimli bir eğitmen gözetiminde yalnızca eğitim amacıyla kullanabilir.
- Bu makineyi çok dikkatli ve titiz bir şekilde kullanın.
- Bu makineyi yalnızca fiziksel olarak iyi durumdayken çalıştırın. Tüm işlerinizi sakın ve dikkatli bir şekilde yürütün. Başkalarının sorumluluğu da kullanıcıya aittir.
- Bu makineyi kesinlikle alkol, uyuşturucu veya ilaç kullandıktan sonra veya kendinizi yorgun veya hasta hissediyorsanız kullanmayın.
- Bazı ulusal yönetmelikler makinenin kullanımını kısıtlayabilir.

Makinenin amaçlanan kullanımı

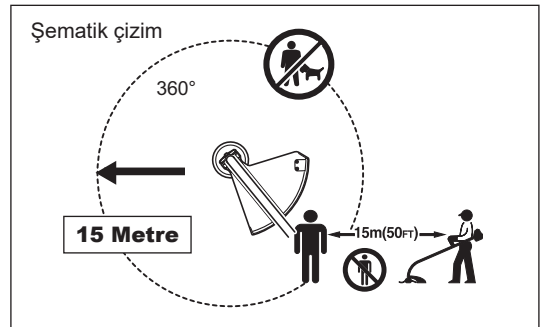
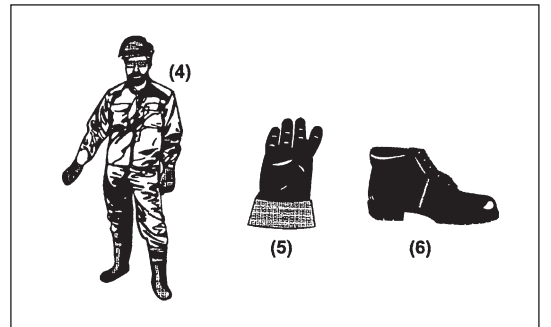
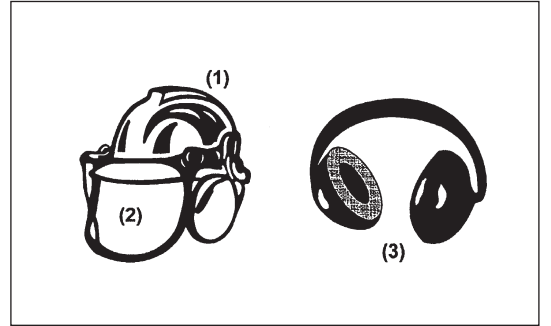
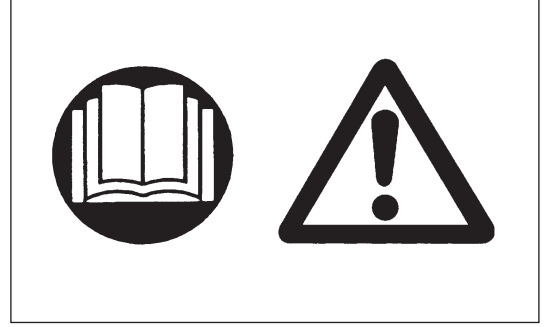
- Bu makine yalnızca çim ve küçük dalların kesilmesi içindir. Bu makine kesinlikle kenar kesimi veya çit budama gibi başka bir amaçla kullanılmamalıdır, aksi takdirde yaralanmalar meydana gelebilir.

Kişisel koruyucu ekipmanlar

- Kullanım sırasında giyilen kıyafetler işlevsel ve uygun olmalıdır, yani bol veya hareket kabiliyetini sınırlandıracak kadar dar olmamalıdır. Çalışlara, fundalara ve makineye takılabileceğinden takı kullanmayın ve bol kıyafetler giymeyin.
- Baş, göz, el ve ayak yaralanmalarını önlemek ve kulaklarınızı korumak için, bu makinenin çalıştırılması sırasında aşağıdaki koruyucu ekipmanlar ve koruyucu kıyafetler kullanılmalıdır.
- Üzerinize bir şey düşme riski varsa mutlaka koruyucu baret takın. Koruyucu baret (1), olası hasarlara karşı düzenli aralıklarla kontrol edilmeli ve en geç 5 yılda bir değiştirilmelidir. Yalnızca onaylı koruyucu baretleri kullanın.
- Koruyucu baretin siperliği (2) (veya alternatif olarak koruyucu gözlükler) yüzünüzü sıçrayan yabancı madde ve taşlara karşı koruyacaktır. Çalışma sırasında mutlaka koruyucu gözlük veya yüz koruyucu kullanın.
- Olası duyma bozukluklarını önlemek için koruyucu kulaklık (3), kulak tıkacı vs. gibi gürültüye karşı koruyucu ekipmanlar kullanın.
- İş önlüğü (4) sizi sıçrayan taşlara ve yabancı maddelere karşı koruyacaktır. Kullanıcının iş önlüğü giymesi önerilir.
- Eldivenler (5) koruyucu ekipmanlardan biridir ve çalışma sırasında mutlaka takılmalıdır.
- Makineyi kullanırken, daima altı kaymayan sağlam ayakkabılar (6) giyin. Böylece, yere sağlam basabilir ve olası yaralanmaları önleyebilirsiniz.

Benzinli Misinalı Yan Tırpanın Çalıştırılması

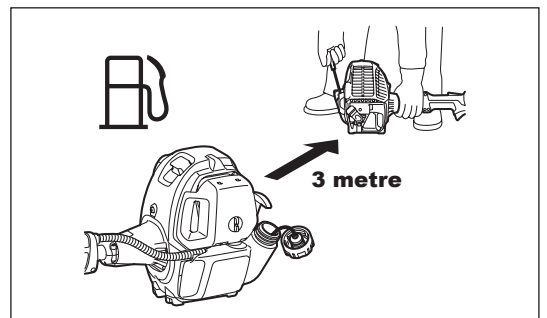
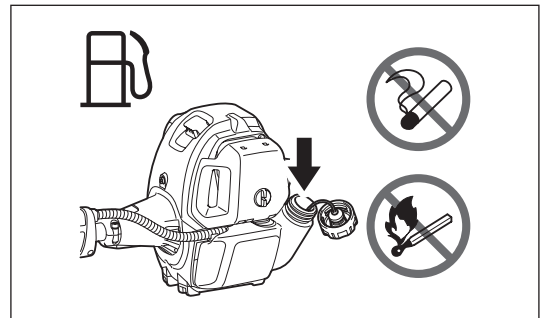
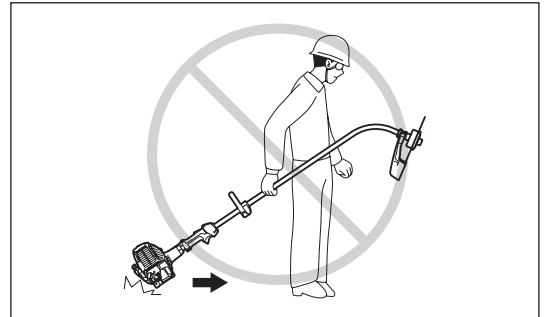
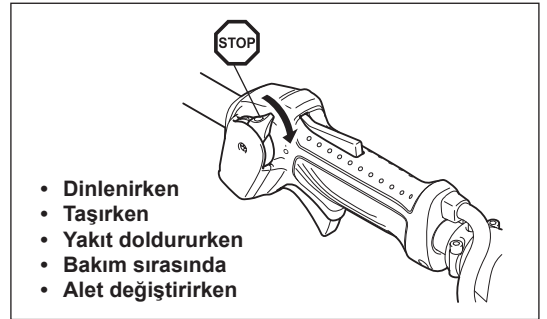
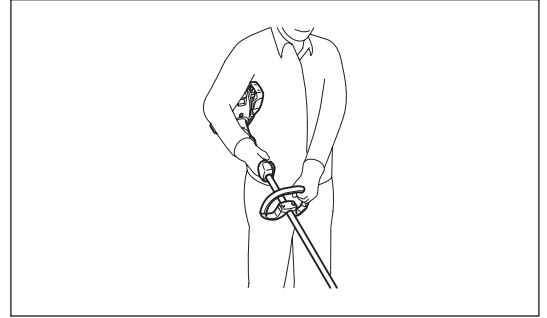
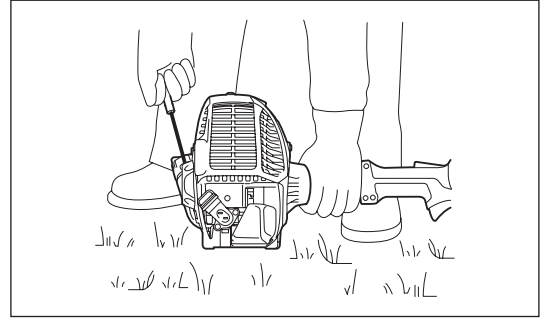
- 15 metrelik (50 fit) çalışma alanında insanların ve özellikle de çocukların bulunmadığından emin olun. Ayrıca, çalışma alanının çevresindeki hayvanlara da dikkat edin.
- Çalışmaya başlamadan önce, makinenin güvenli çalıştığını kontrol edin: Kesici ataşmanın güvenli olduğunu, kısma mandalının kolay çalıştığını ve kısma mandalı kilidinin işlevini doğru şekilde yerine getirdiğini kontrol edin.
- Kesici ataşmanın rölanti hızda hareket etmesi kabul edilemeyecek bir durumdur. Şüphelendiğiniz ayarlar hakkında satıcınıza danışın. Kolların temiz ve kuru olduğunu kontrol edin ve başlatma/durdurma düğmesinin çalışmasını test edin.



- Benzinli Misinalı Yan Tırpanı mutlaka talimatlara uygun olarak çalıştırın.
- Motoru çalıştırmak için başka bir yöntem kullanmayın!
- Benzinli Misinalı Yan Tırpanı ve aletleri yalnızca belirtilen uygulamalarda kullanın.
- Motoru yalnızca montaj ve kurulum işlemleri eksiksiz tamamlandıktan sonra çalıştırın. Makinenin çalıştırılmasına yalnızca tüm gerekli aksesuarlar takıldıktan sonra izin verilmelidir!
- Kesici ataşmanı kullanmaya başlamadan önce, kesici ataşmanın dal, taş vb. gibi sert cisimlere temas etmediğinden emin olun, aksi takdirde çalıştırma sırasında kesici ataşman dönecektir.
- Herhangi bir motor probleminde motoru derhal durdurun.
- Kesici ataşmanın taşa veya benzeri sert bir cisme çarpması halinde, derhal motoru kapalı konuma getirin ve kesici ataşmanı kontrol edin.
- Kesici ataşmanda hasar olup olmadığını kısa aralıklarla düzenli olarak kontrol edin (tıklatma-gürültü testi kullanılarak kılcal çatlaklar tespit edilebilir).
- Makine ağır bir darbe alırsa veya düşerse, çalışmaya devam etmeden önce durumunu kontrol edin. Yakıt kaçağı olup olmadığını tespit etmek için yakıt sistemini ve arıza olup olmadığını tespit etmek için kontrol ve güvenlik cihazlarını kontrol edin. Herhangi bir hasar veya şüphelendiğiniz bir durum varsa, yetkili servis merkezimize kontrol ve onarım talebinde bulunun.
- Çalıştırma sırasında Benzinli Misinalı Yan Tırpanı her iki elinizle tutun. Kullanım sırasında Benzinli Misinalı Yan Tırpanı kesinlikle tek elinizle tutmayın.
Her zaman yere sağlam ve dengeli basın.
- Makineyi egzoz gazlarını solumayacak şekilde çalıştırın. Motoru kesinlikle kapalı ortamlarda çalıştırmayın (gaz zehirlenmesi riski vardır). Karbon monoksit kokusuz bir gazdır.
- İnsanların veya makinenin zarar görmesini önlemek için, dinlenirken veya makinenin başından ayrılırken motoru durdurun ve güvenli bir yere kaldırın.
- Benzinli Misinalı Yan Tırpanı sıcakken kesinlikle kuru otları veya tutuşabilir maddelerin üzerine bırakmayın.
- Motoru çalıştırmadan önce mutlaka makineye onaylı kesici ataşman muhafazasını takın. Aksi takdirde, kesici ataşmana temas edilmesi durumunda ciddi yaralanmalar meydana gelebilir.
- Çalıştırma sırasında, makineyle birlikte verilen tüm koruyucu ekipmanlar ve muhafazalar kullanılmalıdır.
- Çıkış susturucusu arızalı bir motoru kesinlikle çalıştırmayın.
- Makineyi taşırken motoru kapalı konuma getirin.
- Araçla taşırken, olası yakıt kaçaqlarını önlemek için makinenin güvenli şekilde yerleştirildiğinden emin olun.
- Nakliye öncesi, yakıt deposunun tamamen boş olduğundan emin olun.
- Makineyi kamyondaya indirirken, Motoru yere düşürmemeye çalışın, aksi takdirde yakıt deposu ciddi şekilde hasar görebilir.
- Acil durumlar dışında makineyi kesinlikle yere atmayın veya bırakmayın; aksi takdirde makine ciddi şekilde hasar görebilir.
- Makineyi taşırken kesinlikle sürmemeniz gerektiğini unutmayın. Yakıt deposunun yere sürünmesi çok tehlikelidir ve yakıt deposunun hasar görmesine, yakıt kaçağına ve hatta yangına yol açabilir.

Yakıt doldururken

- Yakıt doldururken motoru kapatın, makineyi açık alevlerden uzaklaştırın ve sigara içmeyin.
- Madeni yağ ürünlerinin cildinize temas etmesine izin vermeyin. Yakıt buharını solumayın. Yakıt doldururken daima koruyucu eldiven takın. Koruyucu kıyafetlerinizi düzenli aralıklarla değiştirin ve temizleyin.
- Toprağın kirlenmesini önlemek (çevreyi korumak) için yakıt veya yağ dökülmemesine dikkat edin. Yakıt dökülürse, Benzinli Misinalı Yan Tırpanı derhal temizleyin.
- Yakıtın kıyafetlerinize bulaşmasına izin vermeyin. Yakıt dökülürse (kıyafetlerinizin tutuşmaması için) kıyafetlerinizi derhal değiştirin.
- Yakıt kapağının sağlam şekilde kapandığından ve yakıt kaçırmadığından emin olmak için düzenli aralıklarla kontrol edin.
- Yakıt deposu kapağını dikkatli bir şekilde sıkın. Motoru çalıştırmak için yerinizi değiştirin (yakıt doldurduğunuz yerden en az 3 metre uzağa gitmelisiniz).
- Kesinlikle kapalı odalarda yakıt doldurmayın. Yakıt buharı zemin seviyesinde birikebilir (patlama riski).
- Yakıtları yalnızca onaylı kaplarda taşıyın ve saklayın. Saklanan yakıt çocukların erişemeyeceğinden emin olun.



Çalıştırma yöntemi

- Makineyi yalnızca iyi aydınlatılan ve görüşün açık olduğu yerlerde kullanın. Kış mevsiminde kaygan veya ıslak alanlara, buz ve kara dikkat edin (kayma riski). Her zaman yere sağlam ve dengeli basın.
- Asla bel hizanızın üzerinde kesim yapmayın.
- Kesinlikle merdiven üzerinde çalışmayın.
- Kesim yapmak üzere ağaca çıkmayın.
- Dengesiz zeminler üzerinde kesinlikle çalışmayın.
- Çalışma alanı içerisinde bulunan kum, taş, çivi vs. gibi yabancı maddeleri temizleyin.
- Kesim işlemine başlamadan önce, kesici ataşmanın tam çalışma hızına ulaşmasını bekleyin.
- Benzinli Misinalı Yan Tırpanı dengeli bir şekilde iletin. Kesici ataşman ile muhafaza arasına ot veya dal sıkışması durumunda, temizlemeye başlamadan önce mutlaka motoru durdurun. Aksi takdirde, ataşmanın kazara dönmesi ciddi yaralanmalara neden olabilir.
- Yorgunluk nedeniyle kontrolünüzü kaybetmemek için düzenli olarak mola verin. Her saat başı 10 ila 20 dakika mola vermenizi öneririz.

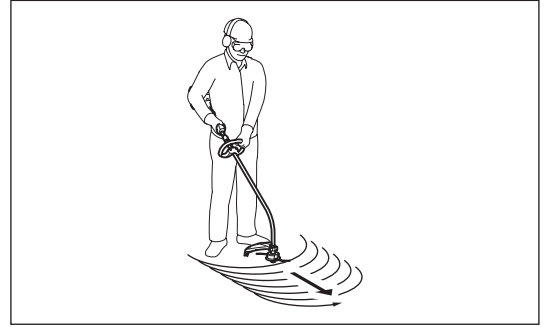


Kesici ataşmanlar

- Birbirine bağlı metal zincirlerden meydana gelen ve tek bıçaklı parçalar da dahil kesinlikle metal bıçaklar kullanmayın. Aksi takdirde, bıçak teması neticesinde ciddi yaralanmalar meydana gelebilir.

Titreşim

- Kan dolaşımı zayıf olan kişilerin aşırı titreşime maruz kalması, damarların veya sinir sisteminin zarar görmesine yol açabilir. Titreşim parmaklarda, ellerde ve bileklerde şu semptomlara neden olabilir: "Uyuşma" (hissizlik), karıncalanma, ağrı, batma hissi, cilt renginin veya cildin değişmesi. Bu semptomlardan herhangi biri ortaya çıkarsa, doktora başvurun!
- "Beyaz parmak hastalığı" riskini düşürmek için, çalışma sırasında ellerinizi sıcak tutun ve makine ve aksesuarların bakımını gerektiği şekilde gerçekleştirin.



Bakım talimatları

- Makinenizin servisinin daima yetkili servis merkezimizde yalnızca orijinal yedek parçalar kullanılarak yapılmasını sağlayın. Yanlış onarımlar ve bakım makinenin ömrünün kısılmasına ve kaza risklerinin artmasına yol açabilir.
- Çalışmaya başlanılmadan önce makinenin, özellikle de kesme ataşmanının ve koruyucu cihazların durumu kontrol edilmelidir.
- Kesici ataşmanları değiştirirken veya bilerken ve ayrıca kesici aleti veya ataşmanı temizlerken mutlaka motoru durdurun ve buji konektörünü çıkartın.
- Çevreye duyarlı olun. Kirliliğin ve gürültü emisyonunun azaltılması için kısma mandalını gereksiz yere kullanmaktan kaçının. Karbüratörü doğru şekilde ayarlayın.
- Makineyi düzenli aralıklarla temizleyin ve tüm vidalarının ve somunlarının sağlam şekilde sıkıldığından emin olun.
- Çıplak alevlerin yakınında kesinlikle makineyi çalıştırmayın veya servis çalışması yapmayın.
- Makineyi daima yakıt deposu boşaltıldıktan sonra kilitle odalarda muhafaza edin.



İlgili ticaret birlikleri ve sigorta şirketleri tarafından belirtilen kaza önleme talimatlarını dikkate alın. Güvenliğinizi riske atmamak için, makinede kesinlikle herhangi bir değişiklik yapmayın.

Kullanıcı tarafından gerçekleştirilecek bakım veya onarım çalışmaları yalnızca bu kullanım kılavuzunda açıklanan işlemlerle sınırlıdır. Diğer tüm çalışmalar Yetkili Servis Personeli tarafından gerçekleştirilecektir. Yalnızca MAKITA tarafından üretilen ve tedarik edilen orijinal yedek parçaları ve aksesuarları kullanın.

Onaylanmamış aksesuar ve aletlerin kullanılması kaza riskini artırır.

MAKITA, onaylanmamış ataşmanların kullanımından ve cihaz, kesici ataşman veya aksesuarların takılmasından kaynaklanabilecek kaza ve hasarlardan dolayı sorumluluk kabul etmeyecektir.

İlk Yardım

Bir kaza durumuna karşı ilk yardım çantasının kesim çalışmasının yapıldığı yere yakın olduğundan emin olun. İlk yardım kutusundan bir şey alındığında derhal yerine yenisini koyun.

Yardım isterken, lütfen şu bilgileri verin:

- Kazanın yeri
- Ne olduğu
- Yaralı kişi sayısı
- Yaralanma tipi
- Adınız



ER2650LH TEKNİK VERİLER

Model		ER2650LH		
Sap tipi		Yuvarlak saplı		
Boyutlar: uzunluk x genişlik x yükseklik (kesici ataşman olmadan)	mm	1.621 x 310 x 479		
Kesme çapı	mm	412		
Ağırlık (plastik muhafaza ve kesici ataşman olmadan)	kg	4,8		
Hacim (yakıt deposu)	L	0,6		
Hacim (yağ haznesi)	L	0,08		
Motor hacmi	cm ³	25,4		
Maksimum motor performansı	kw	7.000 dak ⁻¹ 'de 0,77		
Önerilen maks. mil hızında motor devri	dak ⁻¹	10.000		
Maksimum mil dönüş frekansı	dak ⁻¹	7.900		
Rölanti hızı	dak ⁻¹	3.000		
Kavrama hızı	dak ⁻¹	3.900		
Karbüratör		Diyafram tipi		
Ateşleme sistemi		Temassız, mıknatıs tipi		
Buji	tipi	NGK CMR4A		
Elektrot boşluğu	mm	0,7 - 0,8		
ISO 22867'ye göre titreşim	Sağ sap (Arka kavrama)	$a_{hv\ e\ \dot{s}}$	m/s ²	8,2
		Belirsizlik (K)	m/s ²	0,9
	Sol sap (Ön kavrama)	$a_{hv\ e\ \dot{s}}$	m/s ²	5,0
		Belirsizlik (K)	m/s ²	1,7
ISO 22868'e göre ortalama ses basıncı seviyesi	$L_{PA\ e\ \dot{s}}$	dBA	97,5	
	Belirsizlik (K)	dBA	1,8	
ISO 22868'e göre ortalama ses gücü seviyesi	$L_{WA\ e\ \dot{s}}$	dBA	107,3	
	Belirsizlik (K)	dBA	2,5	
Yakıt		Otomobil yakıtı		
Motor Yağı		API derecesi SF sınıfı ve üzeri, SAE 10W-30 yağ (4 zamanlı otomobil motoru yağı)		

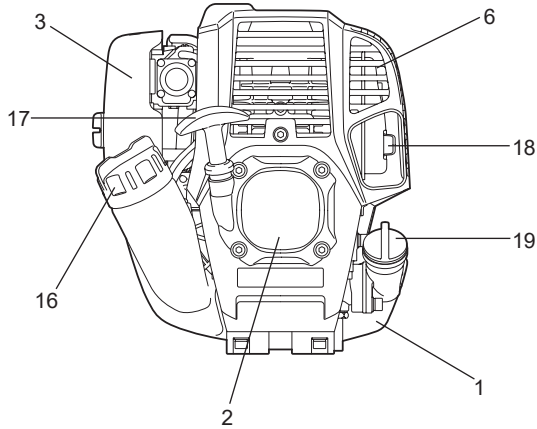
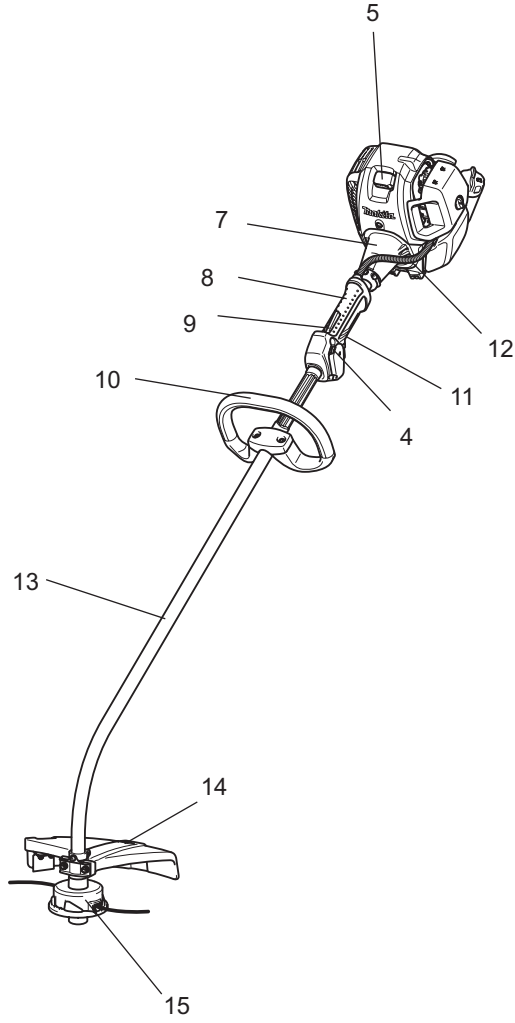
Yalnızca Avrupa ülkeleri için

AT Uygunluk Beyanı

AT uygunluk beyanı bu kullanım kılavuzunun Ek A'sında verilmiştir.

PARÇALARIN GÖSTERİMİ

ER2650LH



TR	PARÇALARIN GÖSTERİMİ
1	Yakıt deposu
2	Geri sarmalı marş
3	Hava temizleyici
4	Açma/kapama düğmesi (açık/kapalı)
5	Buji
6	Egzoz susturucusu
7	Kavrama kutusu
8	Arka kavrama
9	Kilit açma mandalı
10	Sap
11	Kısma mandalı
12	Kontrol kablosu
13	Şaft
14	Koruyucu (Kesici ataşman muhafazası)
15	Misinalı kesme başlığı
16	Yakıt doldurma kapağı
17	Marş kolu
18	Egzoz borusu
19	Yağ kapağı

SAPIN TAKILMASI

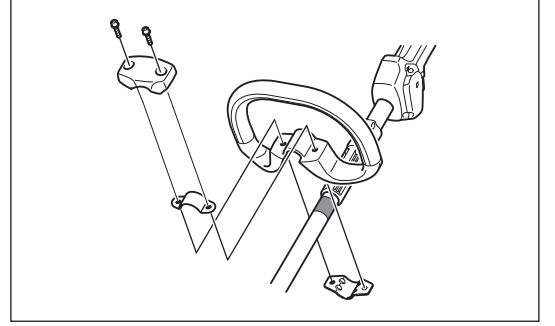
⚠ DİKKAT: Makine üzerinde herhangi bir çalışma yapmadan önce, mutlaka motoru durdurun ve buji üzerindeki buji konektörünü çıkartın. Daima koruyucu eldiven takın!

⚠ DİKKAT: Motoru yalnızca doğru şekilde takıldıktan sonra çalıştırın.

Yuvarlak saplı makineler için

- Yuvarlak sapı gösterildiği gibi şafta takın.
- Şaft borusu üzerindeki ara parçanın, kavrama tertibatı ile diğer kavrama arasında olduğundan emin olun. Ara parçayı çıkarmayın veya sıkıştırmayın.

NOT: Bazı ülkelerde ara parça makineyle birlikte verilmez. Bu durumda, sapı ok işaretleriyle gösterilen çizginin uzak tarafına hizalayın.



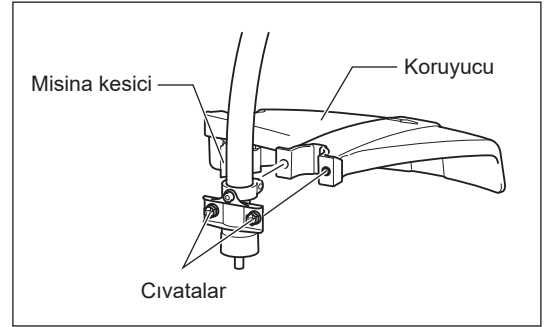
KORUYUCUNUN TAKILMASI

İlgili güvenlik kurallarının karşılanması için, yalnızca tabloda belirtilen alet/koruyucu kombinasyonları kullanılmalıdır.

⚠ DİKKAT: Koruyucu üzerindeki misina kesiciye dokunmayın. Misina kesiciye çıplak elle dokunulması yaralanmalara yol açabilir.

Koruyucu mutlaka misina uzunluğu sabit kalacak ve operatörü fırlayan taş ve yabancı maddelere karşı koruyabilecek şekilde takılmalıdır. Koruyucu takmak için aşağıda açıklanan adımları takip edin.

1. Koruyucuyu, şaft kenarı koruyucu üzerindeki yuvaya oturacak şekilde yerleştirin.
2. İki adet civatayı sıkın.



MİSİNALI KESME BAŞLIĞININ TAKILMASI

⚠ UYARI: Kesinlikle kesme bıçakları kullanmayın.

Orijinal MAKITA misinalı kesme başlığı kullanıldığından emin olun.

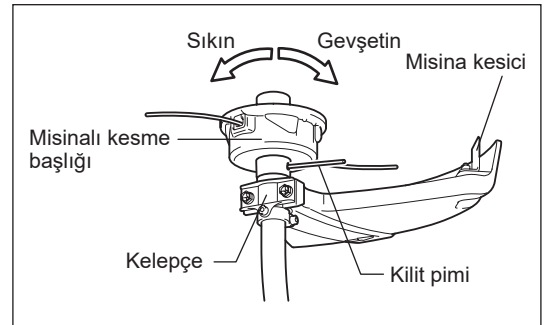
- Misinalı kesme başlığı çalışma sırasında taşa çarparsa, derhal motoru durdurun ve misinalı kesme başlığı kontrol edin.

⚠ DİKKAT: Koruyucu üzerindeki misina kesiciye dokunmayın. Misina kesiciye çıplak elle dokunulması yaralanmalara yol açabilir.

Misinalı kesme başlığını takmak için aşağı açıklanan adımları takip edin.

1. Kilit pimini kelepçe üzerindeki delikten sokun. Kilit pimine bastırarak bu iki parçayı döndürün ve bu şekilde kilit piminin yerine oturmasını sağlayın.
2. Misinalı kesme başlığını saat yönünde döndürerek şafta vidalayın. Sağlam şekilde takıldığından emin olun.
3. Kilit pimini çıkartın.

Misinalı kesme başlığını çıkartmak için, saat yönünün tersine çevirin.



ÇALIŞMAYA BAŞLAMADAN ÖNCE

Motor yağının kontrolü ve doldurulması

- Aşağıdaki prosedürü motor soğuduktan sonra uygulayın.
- Motoru düz şekilde yerleştirin, yağ kapağını çıkartın (Şekil 1) ve mevcut yağın yağ borusunun üst sınır ile alt sınır çizgileri arasındaki bölgede olup olmadığını kontrol edin (Şekil 2).
- Yağ yetersizse (yağ seviyesi alt sınır çizgisine yakınsa), yağ ilave edin (Şekil 3).
- Dış çizgilerin etrafındaki alan şeffaftır, bu nedenle içerideki yağ miktarı yağ kapağının çıkartılmasına gerek kalmaksızın dışarıdan kontrol edilebilir. Ancak, yağ borusu çok kirlendiğinde görüş kaybolabilir; bu durumda yağ seviyesinin yağ borusunun içerisindeki kademeli bölümden kontrol edilmesi gerekir.
- Referans olarak, yağ doldurma süresi yaklaşık 10 saat (tekrar yağ doldurulmadan önce 10 defa veya 10 hazne gaz doldurma) olarak kabul edilebilir.
- Yağın rengi değişir veya içerisine pislik karışırsa, yağı tamamen değiştirin. (Yağ değiştirme sıklığı ve yöntemi için, bkz. sayfa 176)

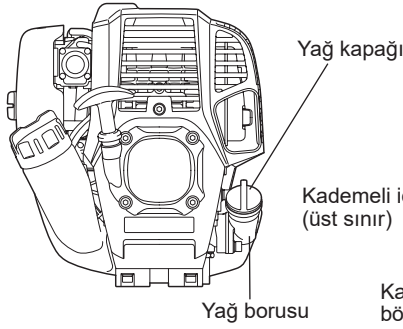
Önerilen yağ: API Sınıfı SAE 10W-30, SF Sınıfı ve üzeri (4 zamanlı otomobil motoru)

Yağ hacmi: Yaklaşık 0,08 l

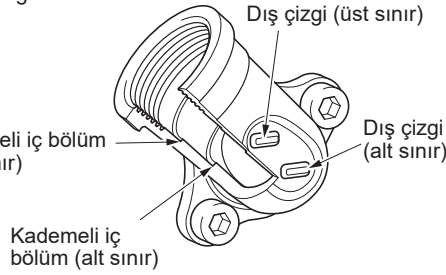
NOT: Motor düz konumda tutulmazsa, motorun diğer parçalarında yağ birikebilir. Yağ seviye göstergesinden yağ seviyesinin doğru olup olmadığı anlaşılabilir.
Motor düz konumda değilken yağ doldurmayın. Yağ üst sınırın üzerinde doldurulursa, kirlenebilir veya beyaz bir duman çıkartarak yanabilir.

Yağ değişimiyle ilgili uyarı 1: “Yağ kapağı”

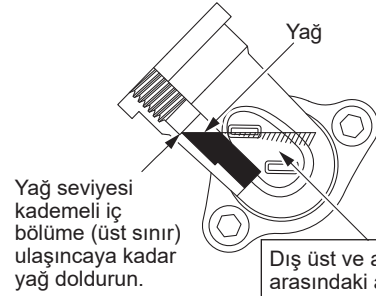
- Yağ doldurma deliğinin etrafındaki tozları ve kirleri temizleyin ve yağ kapağını çıkartın.
- Çıkarılan yağ kapağına kum veya toz bulaşmasına izin vermeyin. Aksi takdirde, yağ kapağına bulaşan kum veya toz düzensiz yağ sirkülasyonuna veya motor parçalarında aşınmaya ve neticesinde arızalara yol açabilir.



Şekil 1

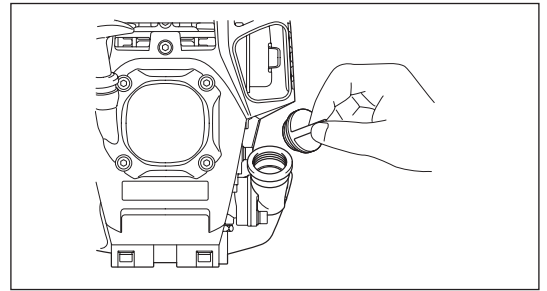


Şekil 2 Yağ borusu

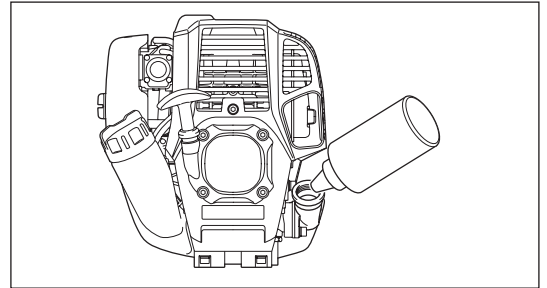


Şekil 3

(1) Motoru düz tutun ve yağ kapağını çıkartın.



(2) Üst sınır çizgisine kadar yağ doldurun. (bkz. Şekil 3)
Yağ doldururken uygun bir yağ kabı kullanın.



(3) Yağ kapağını sağlam şekilde sıkın. Yeterince sıkılmaması, yağ kaçağına neden olabilir.

Not

- Motordaki yağı yatık bir konumda değiştirmeyin.
- Motor yatık vaziyetteyken yağ doldurulması, aşırı yağ olmasına ve neticesine yağ kirlenmesine ve/veya beyaz dumana yol açabilir.

Yağ değişimiyle ilgili uyarı 2: “Yağ dökülürse”

- Yakıt deposu ile motor ana ünitesi arasında yağ dökülürse yağ, soğutma havası giriş portuna çekilerek motorun kirlenmesine neden olur. Çalıştırmadan önce dökülen yağın temizlendiğinden emin olun.

YAKIT DOLDURMA

Yakıtın taşınması

Yakıtın mutlaka çok dikkatli bir şekilde taşınması gerekir. Yakıtlar, çözücülere benzer maddeler içerebilir. Yakıt doldurma işlemi mutlaka yeterince havalandırılan bir odada veya açık havada gerçekleştirilmelidir. Yakıt buharını kesinlikle solumayın ve yakıtı kendinizden uzakta tutun. Yakıt sürekli veya uzun bir süre temas ederseniz, cildiniz kuruyabilir ve neticesinde cilt hastalıkları veya alerjisi meydana gelebilir. Yakıt gözünüze kaçarsa, gözünüzü temiz suyla yıkayın. Gözünüzdeki tahrişin devam etmesi halinde, doktora başvurun.

Yakıt depolama süresi

İyi havalandırılan ve doğrudan güneş görmeyen bir yerde özel bir kaptaki saklansa bile yakıtın 4 hafta içerisinde tüketilmesi gerekir. Aksi takdirde, yakıt bir günde bozulabilir.

MAKİNENİN MUHAFAZASI VE DEPONUN DOLDURULMASI

- Makineyi ve depoyu doğrudan güneş ışığı almayan, serin bir yerde muhafaza edin.
- Kesinlikle yakıtı araç içerisinde tutmayın.

Yakıt

Makinede dört zamanlı bir motor bulunur. 87 oktan ve üzeri ((R+M)/2) kurşunsuz otomobil benzini kullanıldığından emin olun. Alkol içeriği maksimum %10 (E-10) olmalıdır.

Yakıtla ilgili uyarılar

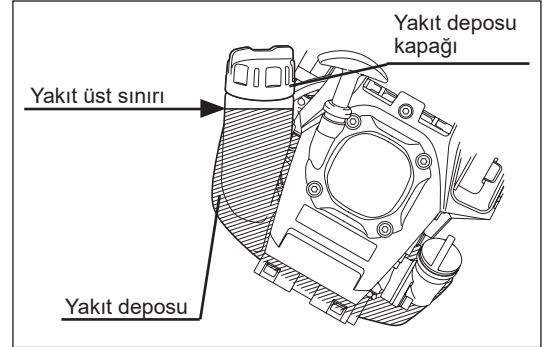
- Kesinlikle motor yağı içeren benzin karışımları kullanmayın. Aksi takdirde, aşırı karbon birikimi veya mekanik hasarlar meydana gelebilir.
- Bozulmuş yakıt kullanılması, çalışma sorunlarına yol açabilir.

Yakıt doldururken

⚠ UYARI: Yakıt doldurmaya başlamadan önce motoru kapatın, makineyi açık alevlerden uzaklaştırın ve sigara içmeyin.

Kullanılacak benzin: 87 oktan ve üzeri kurşunsuz otomobil benzini. Alkol içeriği maksimum %10 (E-10).

- Depo basıncını boşaltmak için depo kapağını bir miktar gevşetin.
- Depo kapağını çıkartın ve yakıt doldurun. Bu işlem sırasında yakıt doldurma deliği yukarı bakacak şekilde yakıt deposunu eğerek depo içerisinde havanın boşalmasını sağlayın. Deponun üst noktasına kadar yakıt DOLDURMAYIN.
- Yabancı maddelerin yakıt deposuna girmesini önlemek için, depo kapağının çevresini iyice temizleyin.
- Yakıt doldurduktan sonra, depo kapağını sıkıca kapatın.
- Depo kapağında kusur veya hasar varsa, değiştirin.
- Depo kapağı zamanla aşınır. Her iki veya üç yılda bir değiştirin.
- Yağ doldurma portuna yakıt DOLDURMAYIN.



ÇALIŞTIRMA VE DURDURMAYLA İLGİLİ UYARILAR

İlgili kaza önleme yönetmeliklerini dikkate alın!

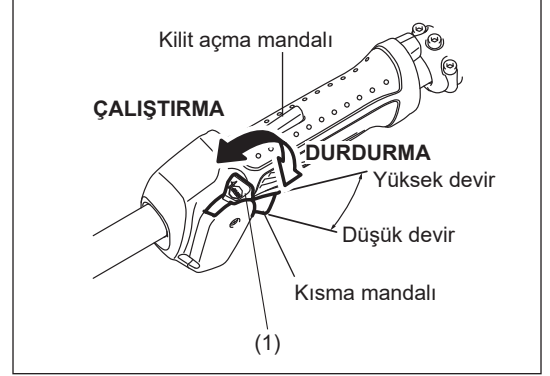


ÇALIŞTIRMA

Makineyi yakıt doldurduğunuz yerden en az 3 metre uzağa taşıyın. Makineyi yere koyarken kesici ataşmanın, zeminle veya diğer yabancı cisimlerle temas etmemesine dikkat edin.

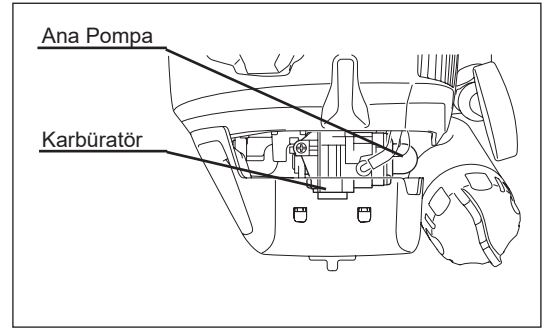
A: Soğuk çalıştırma

- 1) Makineyi düz bir zemin üzerine yerleştirin.
- 2) Açma/kapama düğmesini (1) ÇALIŞTIRMA konumuna getirin.



- 3) Ana pompa

Yakıt ana pompaya girene kadar ana pompaya bastırmaya devam edin. (Genel olarak yakıt, ana pompaya 7 ila 10 defa basıldığında ana pompaya girer.)
Ana pompaya çok fazla basılırsa, fazla benzin yakıt deposuna geri döner.



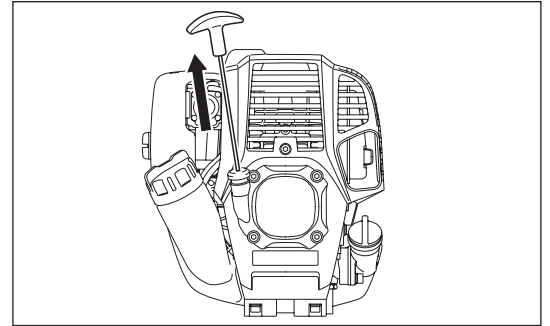
- 4) Geri sarmalı marş

Marş kolunu gerilim hissedilene (sıkışma noktasına) kadar yavaşça çekin. Ardından, marş kolunu bırakın ve güçlü bir şekilde çekin.

İpi kesinlikle sonuna kadar çekmeyin. Marş kolu çekildikten sonra, marş kolunu hemen bırakmayın. Marş kolu başlangıçtaki konumuna dönene kadar bekleyin.

- 5) Isıtma çalıştırması

Isıtma çalıştırmasını 2 ila 3 dakika boyunca sürdürün.



NOT: Aşırı yakıt çekilmesi (taşma) durumunda, bujiyi çıkartın ve aşırı yakıtı boşaltmak için marş kolunu yavaşça çekin. Ayrıca, bujinin elektrot bölümünü kurutun.

B: Isıtma çalıştırması sonrası başlatma

- 1) Ana pompaya arka arkaya bastırın.
- 2) Kısma mandalını rölanti konumunda tutun.
- 3) Geri sarmalı marş güçlü bir şekilde çekin.
- 4) Motor zor çalışıyorsa, kısma mandalını yaklaşık 1/3 oranında açın.

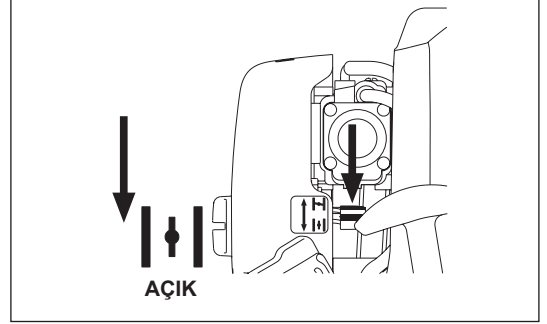
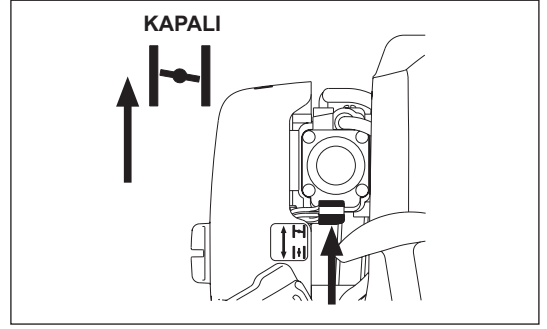
Örneğin kış aylarında vb. motorun çalışması zorlaşır

Motoru çalıştırırken jikle kolunu aşağıdaki prosedürü takip ederek çalıştırın.

- 1) ila 3) arasındaki işlemleri uyguladıktan sonra, jikle kolunu KAPALI konuma getirin.
- 4) no.lu çalıştırma adımını uygulayın ve motoru çalıştırın.
- Motor çalıştıktan sonra, jikle kolunu AÇIK konuma getirin.
- 5) no.lu çalıştırma adımını uygulayın ve motoru çalıştırın.

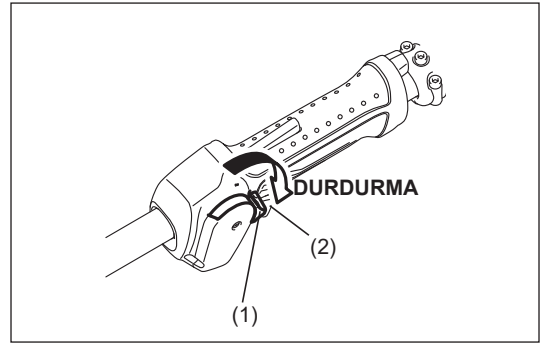
⚠ DİKKAT: Bir ses (patlama sesi) duyulur ve motor durursa veya henüz çalışmaya başlayan motor jikle kolu çekilmeden durursa, jikle kolunu tekrar AÇIK konuma getirin ve motoru tekrar çalıştırmak için marş kolunu birkaç defa çekin.

⚠ DİKKAT: Jikle kolu KAPALI konumda bırakılırsa ve marş kolu arka arkaya çok fazla çekilirse, çok fazla yakıt emilir ve motorun çalışması zorlaşır.



DURDURMA

- 1) Kısmi mandalını (2) tam olarak açın ve motor dvr/dak değeri düştüğünde açma/kapama düğmesini DURDURMA konumuna getirin; motor derhal duracaktır.
- 2) Kesme başlığının hemen durmayabileceğine dikkat edin ve tamamen yavaşlaması için bekleyin.

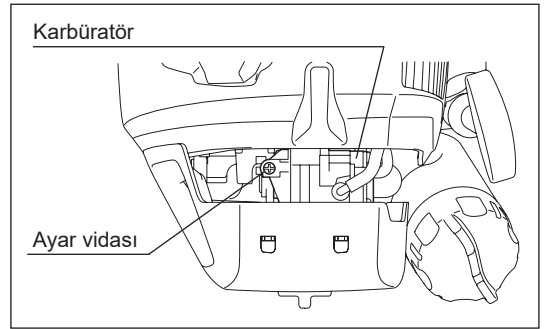


DÜŞÜK DEVİRLİ DÖNÜŞ (RÖLANTİ) AYARI

Düşük devirli dönüş (rölanti) ayarı yapılması gerekiyorsa, bu işlemi karbüratör ayar vidasıyla gerçekleştirin.

DÜŞÜK DEVİRLİ DÖNÜŞ KONTROLÜ

- Düşük devir dönüş hızını 3.000 dak⁻¹ olarak ayarlayın. Düşük devir dönüş (rölanti) hızının değiştirilmesi gerekirse, sağ taraftaki şekilde gösterildiği gibi yıldız uçlu bir tornavida ile vidayı ayarlayın.
- Ayar vidasının sağa çevrilmesi, motor dönüş hızını arttıracaktır. Ayar vidasının sola çevrilmesi ise motor dönüş hızını düşürecektir.
- Karbüratör genel olarak nakliye öncesi ayarlanır. Birkaç depo benzin kullanıldıktan sonra, dvr/dak değerinin yeniden ayarlanması gerekebilir.



MİSİNALI KESME BAŞLIĞI

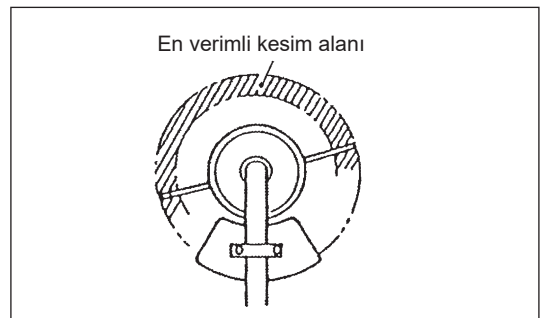
Çalışma sırasında kesim için misinanın uç kısmını kullanın.

Misinin açılması

Kesim çalışması sırasında misina aşınıp kıaldığından, operatörün misinayı manuel olarak açması gerekir.

Misinayı açmak için, yaklaşık 6.000 dak⁻¹ hızda dönerken misinalı kesme başlığını hafifçe yere vurun.

NOT: Açılmazsa, misinayı sarın.



Misinin deęiřtirilmesi

⚠ UYARI: Misinalı kesme bařlıęı kapaęının ařaęıdaki řekilde gsterildięi gibi muhafazaya saęlam řekilde sabitlendięinden emin olun. Kapaęın saęlam řekilde takılmaması, misinalı kesme bařlıęının ıkararak ciddi yaralanmalara yol amasına neden olabilir.

Kapaęı ıkartmak iin, muhafaza mandallarını ieri ve ardından yukarı doęru bastırın. Kalan misinaları atın.

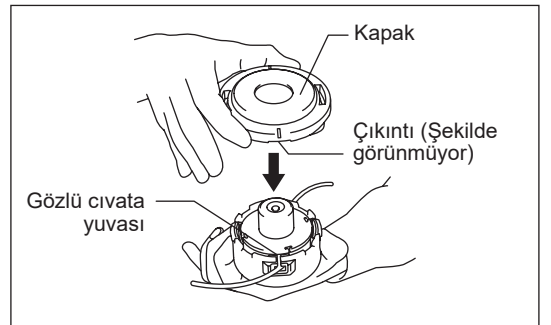
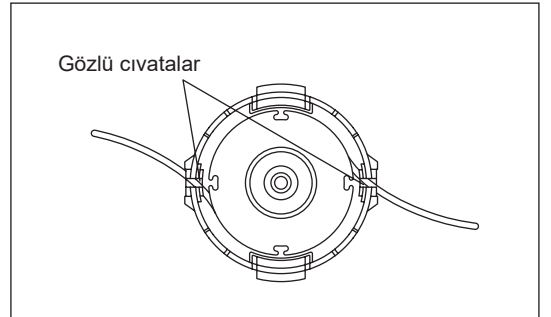
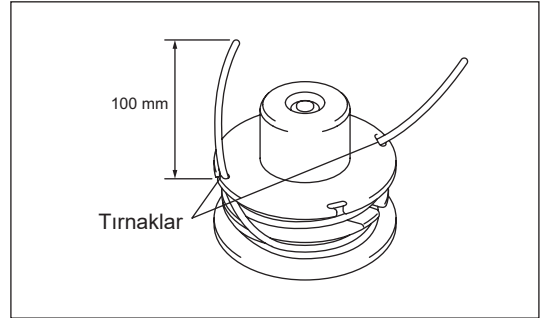
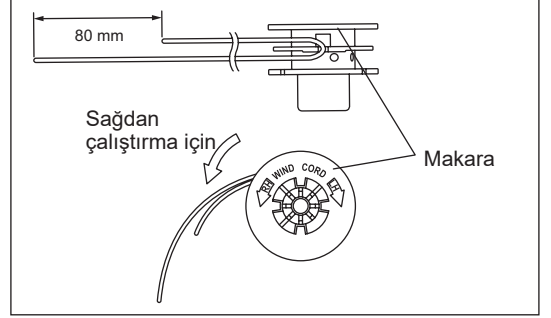
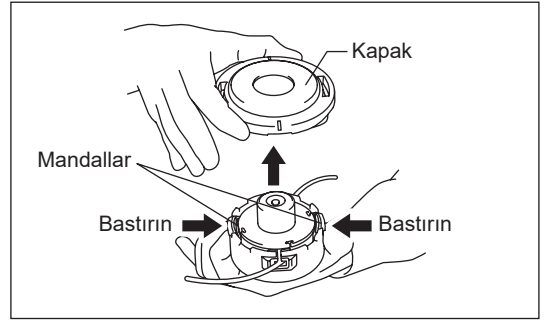
Yeni misinanın ortasını makara merkezine misinanın geirilmesi iin yerleřtirilen 2 kanalın arasındaki misina delięinden geirin. Misinanın bir ucu, dięer ucundan yaklaşık 80 mm daha uzun olmalıdır.

Misinin her iki ucunu makaraya saę taraftan alıřtırma iin bařlık zerinde RH ile gsterilen ynde sarın.

100 mm kalana kadar misinanın tamamını sarın ve bu sırada misina ularının geici olarak makaranın kenarındaki tırnakta takılı kalmasını saęlayın.

Makarayı, makara zerindeki yuva ve ıkıntılar muhafaza zerindekilerle eřleřecek řekilde muhafazaya yerleřtirin. Ardından, misinanın ularını geici konumlarından ıkartın ve bu uları, muhafazadan ıkması iin gzl cıvata deliklerinden geirin.

Kapaęın altındaki ıkıntıyla gzl cıvata deliklerini aynı hizaya getirin. Ardından, sabitlemek zere kapaęı muhafazaya sıkıca bastırın. Kilit mandalarının kapaęa tam olarak oturduęundan emin olun.



SERVİS TALİMATLARI

- ⚠ DİKKAT:** Makine üzerinde herhangi bir çalışma yapmadan önce, mutlaka motoru durdurun ve buji konektörünü bujiden çıkartın (bkz. "bujinin kontrol edilmesi").
Daima koruyucu eldiven takın!

Makinenin uzun ömürlü olması ve olası hasarların önlenmesi için, düzenli aralıklarla aşağıda açıklanan servis çalışmaları gerçekleştirilmelidir.

Günlük kontrol ve bakımlar

- Çalışmaya başlamadan önce, makinede gevşek vida veya eksik parça olup olmadığını kontrol edin. Özellikle, misina kesme başlığının doğru şekilde sıkılmasına dikkat edin.
- Çalışma öncesi mutlaka soğutucu hava geçişinin ve silindir kanatlarının tıkalı olmadığını kontrol edin. Gerekirse, bu parçaları temizleyin.
- Her gün kullanım sonrası şu işlemleri gerçekleştirin:
 - Makinenin dış kısmını temizleyin ve hasar olup olmadığını kontrol edin.
 - Hava filtresini temizleyin. Aşırı tozlu ortamlarda çalışıyorsanız, filtreyi günde birkaç defa temizleyin.
 - Misina kesme başlığında hasar olmadığını ve bu parçaların sağlam şekilde takıldığını kontrol edin.
 - Motor rölantideyken kesici ataşmanın duracağından emin olmak için, rölanti ile kavrama hızları arasında yeterli fark olduğundan emin olun (gerekirse, rölanti hızını düşürün).Rölanti koşulunda kesici parça dönmeye devam ediyorsa, en yakın Yetkili Servis Merkezine danışın.
- Açma/kapama düğmesinin, kilit açma mandalının, kısma mandalının ve kilit düğmesinin doğru çalıştığını kontrol edin.

MOTOR YAĞININ DEĞİŞTİRİLMESİ

Bozulan motor yağlarının kullanılmaya devam edilmesi, motor ömrünü kısaltacaktır. Yağın ve yağ seviyesinin düzenli olarak kontrol edildiğinden emin olun.



DİKKAT: Genel olarak, motor durduktan hemen sonra motor ana ünitesi ve motor yağı hala sıcaktır. Yağ değiştirilirken, motor ana ünitesinin ve motor yağının yeterince soğuduğundan emin olun. Aksi takdirde, yanık riski ortaya çıkabilir.

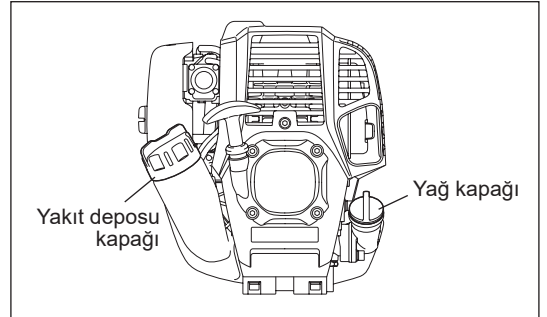
NOT: Yağ üst sınırın üzerinde doldurulursa, kirlenebilir veya beyaz bir duman çıkartarak yanabilir.

Değiştirme sıklığı: İlk 20 saatlik çalıştırma sonrası, her 50 çalışma saatinde bir

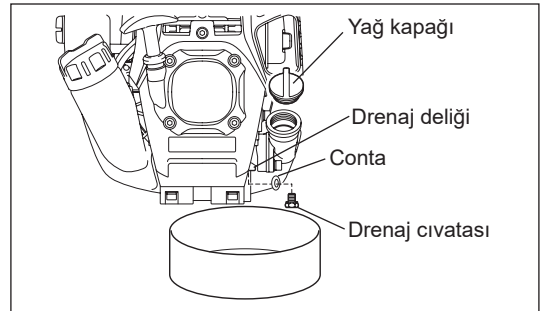
Önerilen yağ: API Sınıfı SAE10W-30 yağ, SF Sınıfı ve üzeri (4 zamanlı otomobil motor yağı)

Yağ değiştirirken aşağıdaki prosedürü takip edin.

- 1) Yakıt deposu kapağının sıkı bir şekilde kapalı olduğunu kontrol edin.
- 2) Drenaj deliğinin altına geniş bir kap (tava vb.) yerleştirin.



- 3) Drenaj civatasını sökün ve ardından yağı drenaj deliğinden boşaltmak için yağ kapağını çıkartın.
Bu sırada drenaj civatası contasının gevşemediğinden ve sökülün parçaların kirlenmediğinden emin olun.



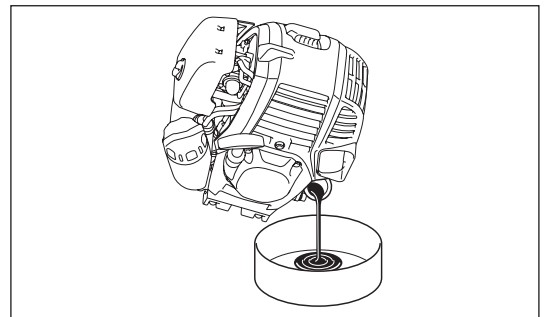
- 4) Tüm yağ boşaltıldıktan sonra, contayı ve drenaj civatasını takın ve gevşememesi ve yağ kaçaklarına neden olmaması için drenaj civatasını sağlam şekilde sıkın.

* Biz bez parçasıyla civata ve makineye bulaşmış yağları temizleyin.

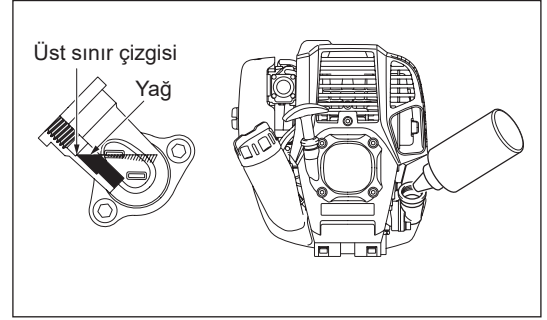
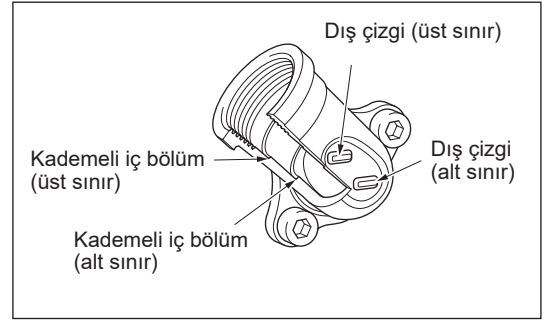
Alternatif drenaj yöntemi

Yağ kapağını çıkartın, makineyi yağ doldurma deliğine doğru yatırın ve yağ boşaltın.

Yağı kapta toplayın.



- 5) Motoru düz şekilde yerleştirin ve üst sınır çizgisine kadar kademeli olarak yeni yağ doldurun.
- 6) Yağı doldurduktan sonra, yağ kapağını gevşemeyecek ve kaçaklara neden olmayacak şekilde sağlamca sıkın.
Yağ kapağı sağlam şekilde sıkılmazsa, kaçağa neden olabilir.



YAĞLA İLGİLİ UYARILAR

- Boşaltılan motor yağını kesinlikle çöpe, toprağa veya kanalizasyon giderine dökmeyin. Yağın bertarafı ilgili kanunlara uygun şekilde gerçekleştirilmelidir. Yağın bertarafı için daima ilgili kanun ve yönetmeliklere riayet edin. Bilinmeyen hususlarla ilgili olarak daima Yetkili Servis Personeline danışın.
- Kullanılmadan saklansa dahi yağ zamanla bozulur. Düzenli aralıklarla yağı kontrol edin ve değiştirin (her 6 ayda bir yeni yağla değiştirin).

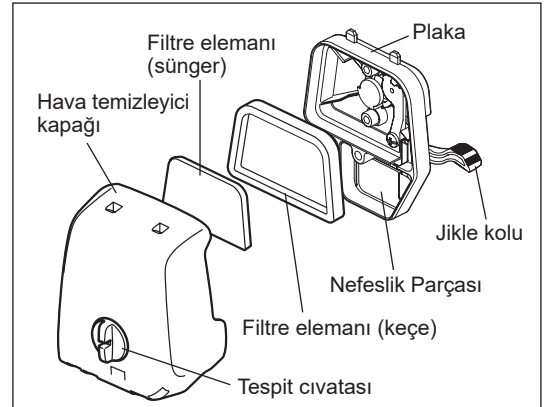
HAVA TEMİZLEYİCİSİNİN TEMİZLENMESİ



UYARI: Motoru kapatın, makineyi açık alevlerden uzaklaştırın ve sigara içmeyin.

Temizlik ve Kontrol Aralığı: Günlük (her 10 çalışma saatinin sonunda)

- Jikle kolunu tamamen kapalı konuma çevirin ve karbüratördeki toz ve pislikleri temizleyin.
- Tespit civatasını gevşetin.
- Alt tarafından çekerek hava temizleyici kapağını çıkartın.
- Filtre elemanlarını çıkartın ve kirlenmiş için hafifçe vurun.
- Filtre elemanları aşırı kirlenmişse:
Filtre elemanlarını çıkartın, sıcak suya veya suyla seyreltilmiş doğal deterjana batırın ve tamamen kurutun. Filtre elemanlarını yıkarken sıkmayın veya ovalamayın.
- Filtre elemanlarını takmadan önce, tamamen kurduğundan emin olun.
Filtre elemanlarının yeteri kadar kurumaması, makinenin başlatılmasını zorlaştırabilir.
- Hava temizleyici kapağının ve nefeslik parçasının etrafına yapışan yağı bir bez parçasıyla temizleyin.
- Filtre elemanını (sünger) yuvasına (keçe) takın.
Elemanları sünger, hava temizleyici kapağına bakacak şekilde plakaya yerleştirin.
- Hemen ardından, temizleyici kapağını yerine takın ve tespit civatalarıyla sıkın. (Geri monte ederken, öncelikle üst tırnağı ve ardından alt tırnağı takın.)



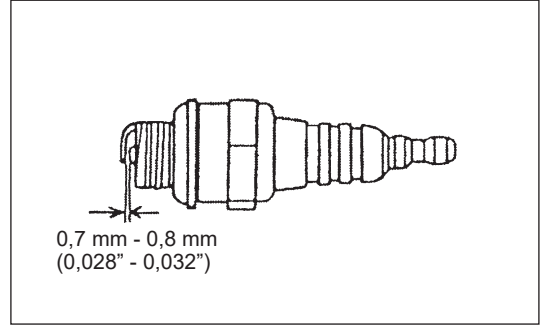
İKAZ:

- Aşırı miktarda toz yapışıyorsa, filtre elemanlarını günde birkaç defa temizleyin. Kirli filtre elemanları, motor gücünün düşmesine ve motorun daha zor çalıştırılmasına neden olur.
- Filtre elemanlarındaki yağı temizleyin. Filtre elemanları üzerindeki yağ temizlenmeden çalışmaya devam edilirse, hava temizleyicideki yağ dışarı akarak, çevre kirliliğine yol açabilir.
- Filtre elemanlarını yere veya kirliliğe koymayın. Aksi takdirde, üzerine toz veya pislik yapışarak, motorun hasar görmesine neden olabilir.
- Filtre elemanlarını temizlemek için kesinlikle yakıt kullanmayın. Yakıt kullanımı, filtre elemanlarına zarar verir.

BUJİNİN KONTROLÜ

- Bujiyi sökmek ve takmak için yalnızca ürünle birlikte verilen standart anahtar kullanın.
- Bujinin iki elektrotu arasındaki boşluk 0,7 ila 0,8 mm (0,028" ila 0,032") olmalıdır. Boşluk çok geniş veya dar olursa, ayarlayın. Buji tıkanırsa veya kirlenirse, iyice temizleyin veya değiştirin.

⚠ DİKKAT: Motor çalışırken buji konektörüne kesinlikle dokunmayın (yüksek gerilimde elektrik çarpması tehlikesi).



YAKIT FİLTRESİNİN TEMİZLENMESİ

⚠ UYARI: TUTUŞABİLİR MADDELERİN KULLANILMASI KESİNLİKLE YASAKTIR

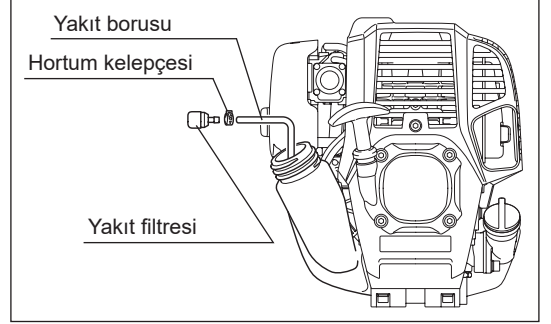
Temizlik ve Kontrol Aralığı: Aylık (her 50 çalışma saatinin sonunda)

Yakıt deposundaki emiş başlığı

Yakıt filtresini düzenli olarak kontrol edin. Yakıt filtresini kontrol etmek için, aşağıdaki adımları takip edin.

- (1) Yakıt deposu kapağını çıkartın ve kalan yakıtı tahliye ederek depoyu boşaltın. Depo içerisinde yabancı madde olmadığını kontrol edin. Varsa, temizleyin.
- (2) Depo açıklığından bir tel kanca sokarak, emiş başlığını çıkartın.
- (3) Yakıt filtresi az miktarda tıkanmışsa, temizleyin. Temizlemek için, yakıt içerisinde hafifçe sallayın ve vurun. Hasar vermemek için, sıkmayın ve ovalamayın. Temizlik sırasında kullanılan yakıt mutlaka ülkenizde geçerli olan kurallara uygun bir yöntemle bertaraf edilmelidir. Yakıt filtresi sertleşmiş veya aşırı tıkanmışsa, değiştirin.
- (4) Kontrol, temizlik veya değiştirme işleminden sonra yakıt filtresini yakıt deposunun tabanına gittiği yere kadar itirin.

Tıkalı veya hasarlı yakıt filtresi, yetersiz yakıt beslenmesine ve motor gücünün düşmesine neden olabilir. Karbüratöre yeterli miktarda yakıt beslenmesini sağlamak için, yakıt filtresini en az üç ayda bir değiştirin.



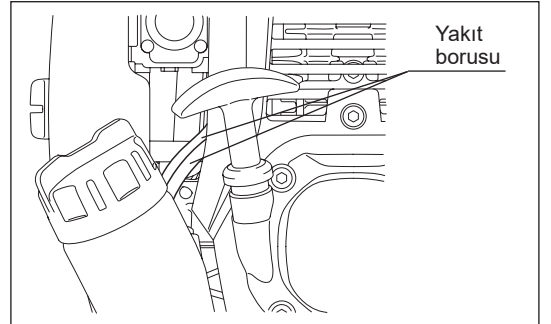
YAKIT BORUSUNUN DEĞİŞTİRİLMESİ

⚠ DİKKAT: TUTUŞABİLİR MADDELERİN KULLANILMASI KESİNLİKLE YASAKTIR

Temizlik ve Kontrol Aralığı: Günlük (her 10 çalışma saatinin sonunda)

Değiştirme sıklığı: Yıllık (her 200 çalışma saatinin sonunda)

Çalıştırma sıklığı ne olursa olsun, yakıt borusunu her yıl değiştirin. Aksi takdirde, yakıt kaçağı nedeniyle yangın tehlikesi ortaya çıkabilir. Kontroller sırasında herhangi bir kaçak tespit ederseniz, yakıt borusunu derhal değiştirin.



CIVATA, SOMUN VE VİDALARIN KONTROLÜ

- Gevşek civataları, somunları vb. sıkın.
- Yakıt kapağının ve yağ kapağının sağlam şekilde sıkıldığını kontrol edin. Yakıt veya yağ kaçağı olup olmadığını kontrol edin.
- Güvenli çalıştırma için, hasarlı parçaları yenileriyle değiştirin.

PARÇALARIN TEMİZLENMESİ

- Motoru daima temiz tutun.
- Silindir açıklıklarına ve hava girişine kum veya toz bulaşmasına izin vermeyin. Açıklıklara yapışan toz veya kir, pistonun sıkışmasına neden olur.

CONTA VE SALMASTRALARIN DEĞİŞTİRİLMESİ

Motor geri monte edilirken, conta ve salmastraların yenileriyle değiştirildiğinden emin olun.

Bu kılavuzda belirtilmeyen ve açıklanmayan tüm bakım ve ayar çalışmaları mutlaka yalnızca Yetkili Servis tarafından yapılmalıdır.

SAKLAMA



UYARI: Yakıtı boşaltırken, motoru durdurduğunuzdan ve motorun soğuduğundan emin olun. Motor durduktan hemen sonra sıcak olabilir ve yanık, tutuşma ve yangın riski içerir.



DİKKAT: Makine uzun bir süre çalıştırılmayacaksa, yakıt deposu ve karbüratördeki yakıtı tamamen boşaltın ve kuru ve temiz bir yerde muhafaza edin.

- Yakıt deposu ve karbüratördeki yakıtı aşağıdaki prosedürü takip ederek boşaltın:
 - 1) Yakıt deposu kapağını çıkartın ve yakıtı tamamen boşaltın.
Yakıt deposunda yabancı madde kalırsa, tamamen temizleyin.
 - 2) Yakıt filtresini bir tel yardımıyla doldurma portundan çıkartın.
 - 3) Yakıt tamamen boşalana kadar pompaya bastırın ve yakıt deposundan çıkan yakıtı bir kaba alın.
 - 4) Filtreyi yakıt deposuna geri takın ve yakıt deposu kapağını sıkıca kapatın.
 - 5) Arıandan, motoru durana kadar çalıştırmaya devam edin.
- Bujiyi çıkartın ve birkaç damla motor yağının buji deliğinden damlamasını sağlayın.
- Marş kolunu, motora motor yağı dağılacak şekilde yavaşça çekin ve bujiyi takın.
- Genel olarak makineyi yatay konumda saklayın, ancak bu mümkün değilse makineyi motor, kesici aletin altına gelecek şekilde yerleştirin. Aksi takdirde, motor yağı içeriden sızıntı yapabilir. Makinenin düşmemesi için, makinenin doğru şekilde saklanmasına dikkat edin. Aksi takdirde, yaralanmalar meydana gelebilir.
- Çıkan yakıtı doğrudan güneş ışığı almayan ve iyi havalandırılan bir yerde özel bir kaba alın.

Uzun süre depolama sonrası dikkat edilmesi gerekenler

- Uzun bir süre depoda kaldıktan sonra ilk defa çalıştırmadan önce yağı değiştirdiğinizden emin olun (bkz. sayfa 176). Makinenin çalışmadığı sürede yağ bozulmuştur.

Arıza tespiti

Arıza	Sistem	Gözlem	Nedeni
Motor çalışmıyor veya zor çalışıyor	Ateşleme sistemi	Ateşleme kıvılcımı çıkıyor	Yakıt besleme veya sıkıştırma sistemi arızası veya mekanik bir arıza mevcuttur
		Ateşleme kıvılcımı çıkmıyor	DURDURMA düğmesine basılmıştır, kablolama hatalı veya kısa devre yapmıştır, buji veya konektör arızalıdır, ateşleme modülü arızalıdır
	Yakıt besleme	Yakıt deposu doludur	Jikle konumu yanlış, karbüratör arızalıdır, yakıt besleme hattı bükülmüş veya tıkanmıştır, yakıt kirlidir
	Sıkıştırma	Çekildiğinde sıkışma olmuyor	Silindirin alt contası yıpranmıştır, krank mili contaları hasar görmüştür, silindir veya piston halkaları arızalıdır veya buji sızdırmazlığı hatalıdır
Sıcak başlatma sorunları	Mekanik arıza	Marş basmıyor	Marş ipi kopmuştur, motor içindeki parçalar bozulmuştur
		Depo dolu ve ateşleme kıvılcımı çıkıyor	Karbüratör kirlidir, temizletin
Motor çalışıyor, ancak hemen duruyor	Yakıt besleme	Depo dolu	Rölanti ayarı yanlış, karbüratör kirlenmiştir
			Yakıt deposu hava alma tertibatı arızalıdır, yakıt besleme hattı kesilmiştir, kablo veya DURDURMA düğmesi arızalıdır
Düşük performans	Aynı anda birkaç sistem etkilenmiş olabilir	Motor rölantide zayıf çalışıyor	Hava filtresi kirlenmiştir, karbüratör kirlenmiştir, susturucu tıkanmıştır, silindirdeki çıkış kanalı tıkanmıştır

Parça	Çalışma süresi	Çalışma öncesi	Yağlama sonrası	Günlük (10 sa)	30 sa	50 sa	200 sa	Kapatma/dinlenme	Karşılık gelen P
Motor yağı	Kontrol edin/temizleyin	<input type="radio"/>							171
	Değiştirin					<input type="radio"/> *1			176
Parçaları sıkın (civata, somun)	Kontrol edin	<input type="radio"/>							178
Yakıt deposu	Temizleyin/kontrol edin	<input type="radio"/>							—
	Yakıtı boşaltın							<input type="radio"/> *3	179
Kısma mandalı	Çalışma kontrolü		<input type="radio"/>						—
Durdurma düğmesi	Çalışma kontrolü		<input type="radio"/>						174
Kesici ataşman	Kontrol edin	<input type="radio"/>		<input type="radio"/>					170
Düşük devirli dönüş	Kontrol edin/ayarlayın			<input type="radio"/>					174
Hava temizleyici	Temizleyin			<input type="radio"/>					177
Buji	Kontrol edin			<input type="radio"/>					178
Soğutucu hava girişi	Temizleyin/kontrol edin			<input type="radio"/>					178
Yakıt borusu	Kontrol edin			<input type="radio"/>					178
	Değiştirin						<input checked="" type="radio"/> *2		—
Yakıt filtresi	Temizleyin/değiştirin					<input type="radio"/>			178
Hava giriş vanası ile hava deşarj vanası arasındaki boşluk	Ayarlayın						<input checked="" type="radio"/> *2		—
Motor bakımı							<input checked="" type="radio"/> *2		—
Karbüratör	Yakıtı boşaltın							<input type="radio"/> *3	179

*1 İlk deęiştirme işlemini 20 saatlik çalışma sonrası gerçekleştirin.

*2 200 saatlik çalışma süresinin sonunda kontrolün Yetkili Servis veya makine mağazası tarafından gerçekleştirilmesini sağlayın.

*3 Yakıt deposunu boşalttıktan sonra, motoru çalıştırmaya devam edin ve karbüratördeki yakıtın tamamen boşalmasını bekleyin.

SORUN GİDERME

Onarım talebinde bulunmadan, lütfen sorunu önce kendiniz kontrol edin. Herhangi bir anormal durum tespit ettiğinizde, makinenizi bu kılavuzda verilen açıklamalara göre kontrol edin. Hiçbir parçayı açıklamaların aksine bir şekilde değiştirmeyin ve sökmeyin. Onarım için, Yetkili Servis Merkezine veya satıcınıza başvurun.

Anormal durum	Olası nedeni (arıza)	Çözüm
Motor çalışmıyor	Yakıt pompası çalışmıyordur	7 ila 10 defa basın
	Marş ipini çekme hızınız yavaştır	Güçlü şekilde çekin
	Yakıt azdır	Yakıt doldurun
	Yakıt filtresi tıkanmıştır	Temizleyin
	Yakıt tüpü bükülmüştür	Yakıt tüpünü düzleştirin
	Yakıt kirlenmiştir	Yakıtın kirlenmesi, motorun çalışmasını zorlaştırır. Yeni yakıt doldurun. (Önerilen değiştirme sıklığı: 1 ay)
	Buji kapağı çıkmıştır	Sağlam şekilde takın
	Buji kirlenmiştir	Temizleyin
	Buji açıklığı normal değildir	Açıklığı ayarlayın
	Bujide başka bir sorun vardır	Değiştirin
	Karbüratör normal çalışmıyordur	Kontrol ve bakım talebinde bulunun.
	Marş ipi çekilemiyor	Kontrol ve bakım talebinde bulunun.
	Tahrik sistemi normal çalışmıyordur	Kontrol ve bakım talebinde bulunun.
	Motor hemen duruyor Motor devri yükselmiyor	Isınma yetersizdir
Motor ısınmasına rağmen, jikle kolu "KAPALI" konumdadır.		"AÇIK" konumuna getirin
Yakıt filtresi tıkanmıştır		Temizleyin veya değiştirin
Hava temizleyici kirlenmiş veya tıkanmıştır		Temizleyin
Karbüratör normal çalışmıyordur		Kontrol ve bakım talebinde bulunun.
Tahrik sistemi normal çalışmıyordur		Kontrol ve bakım talebinde bulunun.
Kesme ataşmanı dönmüyor. ↓ Motoru derhal durdurun	Kesme ataşmanı sağlam şekilde sıkılmamıştır.	Kesme ataşmanını sağlam şekilde sıkın.
	Kesme ataşmanı ile koruyucu arasına bir dal sıkışmıştır.	Yabancı maddeyi çıkartın.
	Tahrik sistemi doğru şekilde çalışmıyordur.	Bu parçayı kontrol etmesi ve onarması için Makita yetkili servis merkezine başvurun.
Makine anormal titreşimli çalışıyor. ↓ Motoru derhal durdurun	Kesme ataşmanı kırılmıştır.	Kesme ataşmanını yenisiyle değiştirin.
	Kesme ataşmanı sağlam şekilde sıkılmamıştır.	Kesme ataşmanını sağlam şekilde sıkın.
	Misinaların bir ucu kopmuş ve misinalı kesme başlığı dengesiz duruma gelmiştir.	Misina kesme başlığını hafifçe yere vurarak misinayı açın.
	Tahrik sistemi doğru şekilde çalışmıyordur.	Bu parçayı kontrol etmesi ve onarması için Makita yetkili servis merkezine başvurun.
Kesme ataşmanı durmuyor. ↓ Motoru derhal durdurun	Güç başlığı doğru şekilde çalışmıyordur.	Güç başlığının kullanım kılavuzuna bakın.
Motor durmuyor ↓ Motoru rölantide çalıştırın ve jikle kolunu KAPALI konuma getirin	Konektör çıkmıştır	Sağlam şekilde takın
	Elektrik sistemi normal çalışmıyordur	Kontrol ve bakım talebinde bulunun.
Misina açılmıyor.	Misina bitmiştir veya makarada karışmıştır.	Misinayı tekrar sarın.
Misina doğru uzunlukta kesilmemiştir.	Koruyucu üzerinde misina kesici yoktur veya hasar görmüştür.	Misina kesiciyi değiştirmesi için Makita yetkili servis merkezine başvurun.
	Misina, koruyucuyu geçecek kadar açılmıştır.	Misinayı tekrar sarın.

Isınma prosedürü uygulandıktan sonra, motor çalışmıyorsa:

Kontrol edilen parçalarda herhangi bir anormal durum tespit edilmezse, kısma mandalını yaklaşık 1/3 tur açın ve motoru çalıştırın.

Makita Europe N.V. Jan-Baptist Vinkstraat 2,
3070 Kortenberg, Belgium

Makita Corporation 3-11-8, Sumiyoshi-cho,
Anjo, Aichi 446-8502 Japan